

C O N V E Y O R C O M P O N E N T S

November 2008 • English Version • Issue 17.1



This catalogue presents the Conveyor Line and includes the latest generation of products shown in earlier catalogues. This catalogue relates to current production. Other information, which may be different from that contained in this publication, must be considered invalid. The right is reserved to carry out modifications rendered necessary by the technical development of System Plast products.

© Copyright System Plast Italia 2008

The contents of this catalogue are the copyright of the publisher and may not reproduced (even extracts) unless permission is granted. Every care has been taken to ensure the accuracy of the information contained in this catalogue but no liability can be accepted for any errors or omissions.

Catalogue CL • 11/2008/E

Code N. 22001/017

Printed in Italy





Quality and Service

Your expectation, our standard.

Customers expect the best from System-Plast; we are committed to delivering nothing less. In every phase of our operation, from engineering, to production, to sales and assistance, System-Plast is committed to complying with the stringent standards of ISO 9001.



When you are looking for a quality conveyor component, look at System Plast.

We put our Leadership on the line for you.

Our complete range of products combines stainless steel, carbon steel, aluminium and engineered plastics to achieve reliability, superior performance and a compactness of design.

As one of the world's leading suppliers of conveyor components, System-Plast has a tradition of innovation that dates back to 1985 when we entered into this field.

In the last ten years, System-Plast Components have become the standard of design and performance to a wide range of industries, including conveyor manufacturing, materials handling, power transmission, packaging and many more.

In addition to manufacturing excellence, System-Plast has earned a reputation for outstanding customer service, offering a full range of design, custom fabrication and support services.

We hope you will now take a moment to look through this comprehensive manual. Then, when you are ready to discuss your needs with the nearest System-Plast representative, please consult the back cover of this catalog for further details about our sales network. We are able and eager to assist you set up a smooth functioning facility.

The components you want, when and how you want them.

System-Plast is ready and able to satisfy your needs with quick answers and delivery of standard or custom made products. Our customers around the world know that the shortest distance between a problem and its solution is to call us: innovations, research, engineering and production are always under a strict control to improve our service and products.

Call our engineering experts.

To order the products you have selected, or to get expert advice in choosing the right ones for your application, call System Plast's Engineering Department at (035) 83.51.301, or fax your specifications: (035) 83.51.406.

We'll be happy to provide the information and advice you need.

And we'll work to ensure prompt processing and delivery of your order.



System Plast offers a complete line of products to answer all your production needs.

CONVEYOR COMPONENTS

- Drive sprockets, idler wheels, corner discs.
- Chain return components.
- Lateral guides and guide rail clamps.
- Adjustable heads and knobs.
- Side mounting and support heads.
- Threaded tube ends.
- Thermoplastic chains.
- Straight and corner tracks.
- Cross clamps.
- Guide rail brackets and drip tray supports.
- Hinges and handles.
- Support bases and levelling elements.

BEARING SUPPORTS

- Flanged bearing support.
- Pillow block support.
- Take-up support.
- Cartridge/take-up support.
- Support for shafts from Ø 12 to Ø 40 mm.
- Flanged bearing support in stainless steel.
- Compact pillow block support.
- Cartridge support.
- Support with high corrosion resistance.
- Nolu-Clean antimicrobial material available.

LEVELING PADS

- Thermoplastic, steel and stainless steel supporting feet.
- Fixed feet.
- Threaded tube ends.
- Articulated feet with or without mounting holes.
- Vibration absorbing feet.
- Support bases

STRUCTURAL COMPONENTS

- Connecting joints.
- Panel clamps.
- Fixing block.
- Spring loaded latch.
- Tube ends and closing caps.
- Mounting profiles.
- Profile for plain tubes.
- Magnetic lock.
- Hinges and handles.

CONVEYOR CHAINS

- Straight running chains.
- Sideflexing chains magnetic system.
- Sideflexing chains with rubber pads.
- Sideflexing chains.
- Straight running chains with rubber pads.
- Straight and corner tracks.

MODULAR BELTS

- Flat top belts
- Belts with low noise accumulation rollers
- Grip top belts
- Flush grid belts
- Sideflexing flat top chainbelt for magnetic system
- Sideflexing flush grid chainbelt for magnetic system





Conveyor Line
All that is necessary
where quality is concerned.

Conveyor Line

Conveyor Line is the name given to the widest product line bearing the System Plast name and it includes an infinite number of components for the setting up of automated goods handling systems.

The almost limitless choice and innovative solutions offered make it possible to arrange systems suitable for the most diverse production requirements.

The material used can withstand particularly difficult working conditions, and the structural simplicity of each component facilitates the procedures of sanification of an entire plant. Drive sprockets, return party, guides, clamps and every kind of brackets, all produced according to the strict System Plast standard that has for years guaranteed maximum quality throughout the world.



Our range

- Drive sprockets, idler wheels, corner discs.
- Chain return components.
- Lateral guides and guide rail clamps.
- Adjustable heads and knobs.
- Side mounting and support heads.
- Threaded tube ends.
- Thermoplastic chains.
- Straight and corner tracks.
- Cross clamps.
- Guide rail brackets and drip tray supports.
- Hinges and handles.
- Support bases and levelling elements.



Contents of conveyor line catalogue

Conveyor
components



CHAIN GUIDE WEAR STRIP

[7 - 36](#)



CHAIN RETURN COMPONENTS

[37 - 72](#)



CONVEYOR TRACKS

[73 - 84](#)



STRAIGHT TRACKS

[85 - 92](#)



SIDE GUIDES

[93 - 122](#)



BENDING MACHINES

[123 - 127](#)



CLAMPS FOR SIDE GUIDES - ADJUSTING RODS

[128 - 160](#)



ROLLER SIDE GUIDE

[161 - 200](#)



SIDE GUIDE BRACKETS

[201 - 260](#)



DRIP TRAY SUPPORTS

[261 - 262](#)



CONNECTING CLAMPS

[263 - 275](#)



PHOTOCELL ACCESSORIES

[276 - 292](#)



HINGES - HANDLES

[293 - 298](#)

Contents of conveyor line catalogue

Conveyor components



SYSTEM FRAME ACCESSORIES

[299 - 305](#)



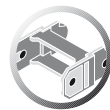
KNOBS

[306 - 314](#)



MODULAR TRANSFER ROLLER PLATES

[315 - 324](#)



CABLE CARRIER CHAIN

[325 - 326](#)



SUPPORT HEADS

[327 - 332](#)



CONNECTING JOINTS

[333 - 336](#)



TUBE ENDS

[337 - 340](#)



SUPPORT BASES

[341 - 346](#)

Technical informations



TOLERANCES AND DIMENSIONS

[348](#)

**INTERNATIONAL SYSTEM (SI)
CONVERSION FACTORS**

[349](#)



APPLICATION TEMPERATURES

[349](#)



CHEMICAL RESISTANCE

[350 - 351](#)

Index

NUMERICAL INDEX

[353 - 370](#)

Key to symbols of conveyor line catalogue

SIZES



SIZE HEX HEAD BOLT



THREAD SIZE



TAPPED THREAD SIZE



LENGTH



HEIGHT



DIAMETER



LOAD



PACKAGING QUANTITY



LENGTH OF COIL

FEATURES



MATERIAL



COLOUR



HEAVY DUTY



SAVES TIME AND MONEY



FOR USE IN HIGH TEMPERATURE



ANTISTATIC



NO TOOLS REQUIRED



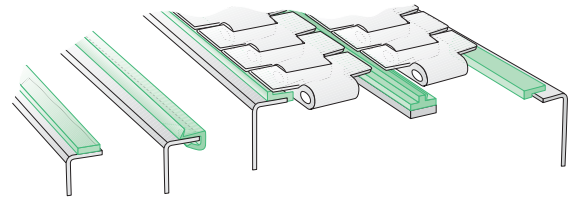
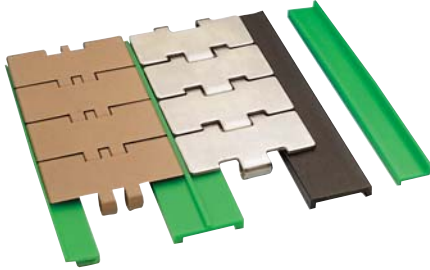
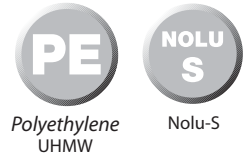
Longer nut design allows clamp to be opened while assembly stays intact! Assembly to the rail is much quicker.



Chain guide wear strip

Polyethylene wear strip

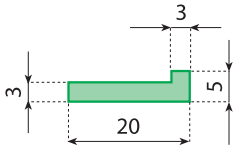
 Preferred type, readily available (codes marked in red)




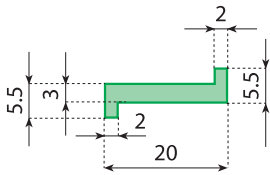
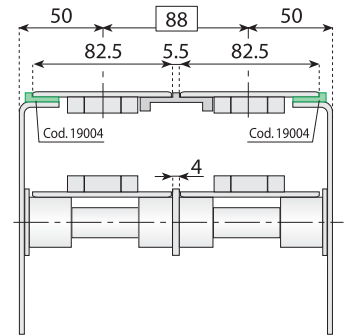
WEAR STRIP





Material:

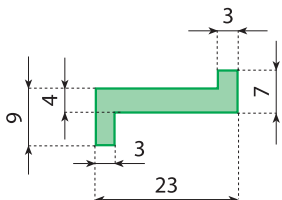
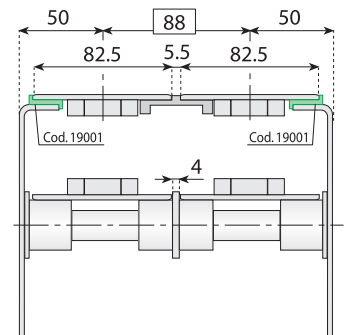
Extruded ultra high molecular weight polyethylene.
 Max. continuous service temperature in air 90° C.
 Water absorption coefficient = 0.







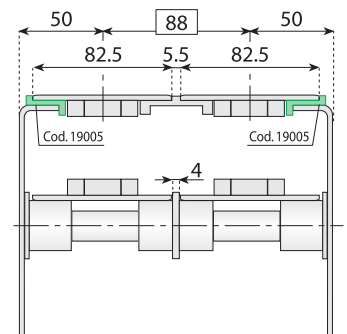
Code				Material	
19004N	-	60 m	60 m	PE	Black
19004V	-				Green



Code				Material	
19001N	-	60 m	60 m	PE	Black
19001V	-			PE	Green
19001NS	-			Nolu-S	Grey

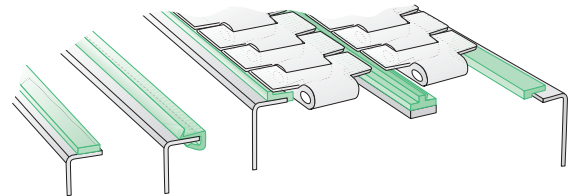
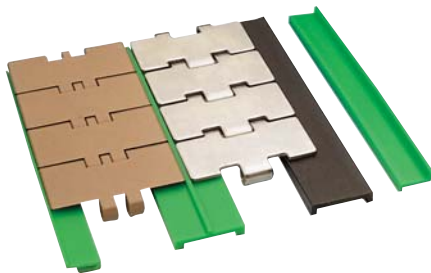
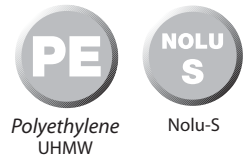


Code				Material	
19005N	-	60 m	60 m	PE	Black
19005V	-			PE	Green
19005NS	-			Nolu-S	Grey



Polyethylene wear strip

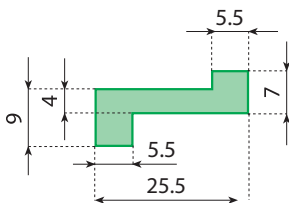
Preferred type, readily available (codes marked in red)



WEAR STRIP

Material:

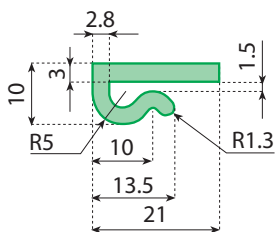
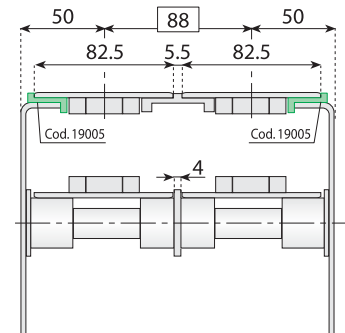
Extruded ultra high molecular weight polyethylene.
 Max. continuous service temperature in air 90° C.
 Water absorption coefficient = 0.



Code

19005N-SP
19005V-SP

-	60 m	60 m	PE	Black Green

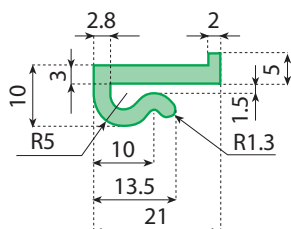
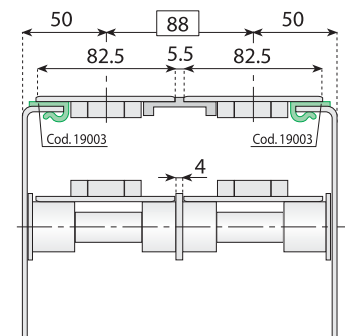


Code

19003N
19003V
19003NS

-	60 m	60 m	PE PE Nolu-S	Black Green Grey

Notes: applicable from 2.5 to 4 mm thick sheet metal.

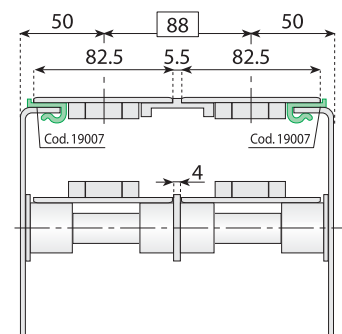


Code

19007N
19007V
19007NS

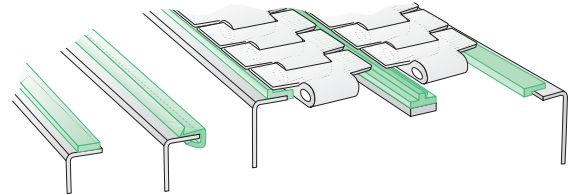
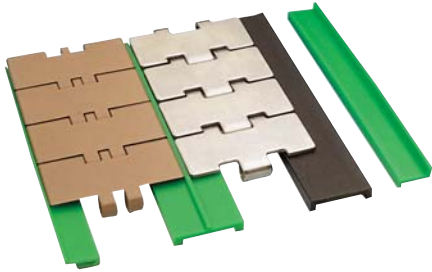
-	60 m	60 m	PE PE Nolu-S	Black Green Grey

Notes: applicable from 2.5 to 4 mm thick sheet metal.



Polyethylene wear strip

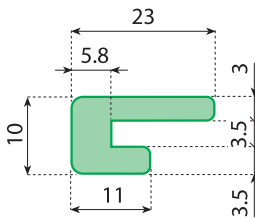
 Preferred type, readily available (codes marked in red)



WEAR STRIP

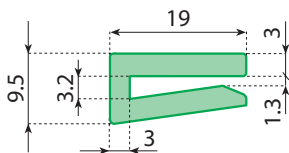
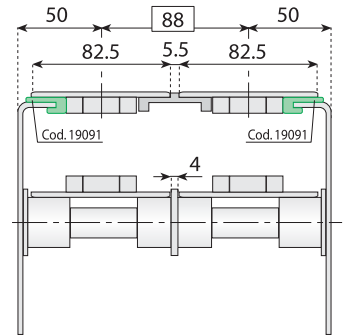
Material:

Extruded ultra high molecular weight polyethylene.
Max. continuous service temperature in air 90° C.
Water absorption coefficient = 0.



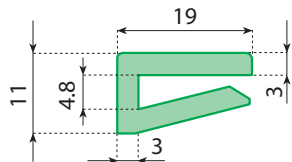
Code

Code	L			Material	
19091N	6 m	-	60 m	PE	Black
19091V					Green



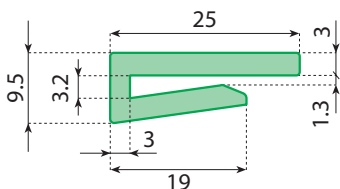
Code

Code	Ref.	L			Material	
19S00058-3M	VG-P18CC-3M	3 m	-	30 m	PE	White
19S00058-6M	VG-P18CC-6M	6 m	-	60 m		
19S00058-30M	VG-P18CC-30M	-	30 m	30 m		



Code

Code	Ref.	L			Material	
19S00029-30M	VG-JS3-075-125-30M	-	30 m	30 m	PE	White

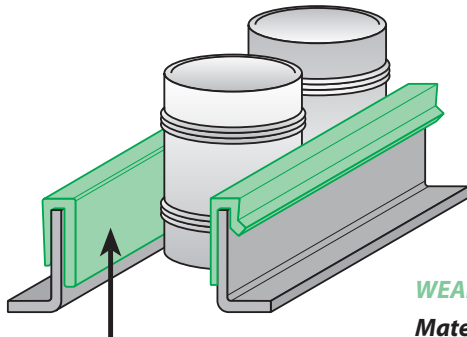


Code

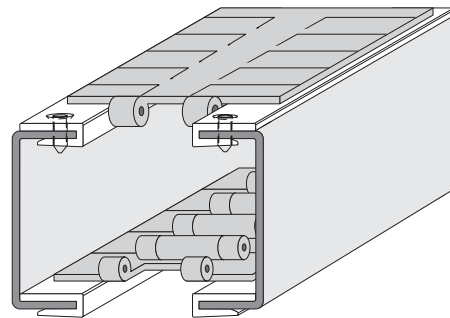
Code	Ref.	L			Material	
19S00015-3M	VG-JS100-125-3M	3 m	-	30 m	PE	White
19S00015-6M	VG-JS100-125-6M	6 m	-	60 m		
19S00015-30M	VG-JS100-125-30M	-	30 m	30 m		

Polyethylene wear strip

Preferred type, readily available (codes marked in red)



AS SIDE GUIDE

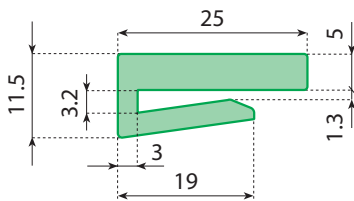


PE
Polyethylene
UHMW

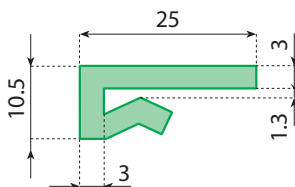
WEAR STRIP

Material:

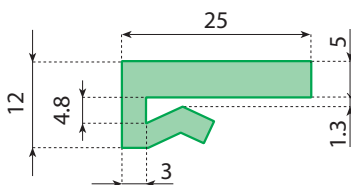
Extruded ultra high molecular weight polyethylene.
Max. continuous service temperature in air 90° C.
Water absorption coefficient = 0.



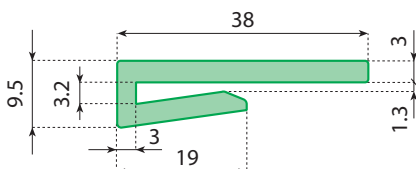
Code	Ref.				Material	
19S00018-3M	VG-JS100-188-3M	3 m	-	30 m	PE	White
19S00018-6M	VG-JS100-188-6M	6 m	-	60 m		
19S00018-30M	VG-JS100-188-30M	-	30 m	30 m		



Code	Ref.				Material	
19S00011-30M	VG-J100-125T-30M	-	30 m	30 m	PE	White



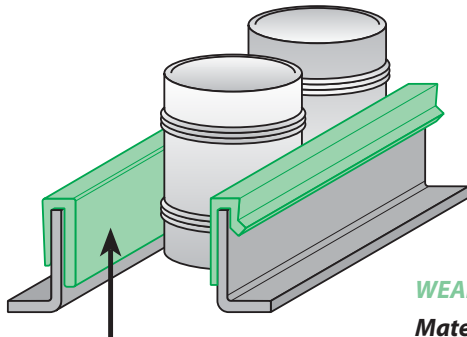
Code	Ref.				Material	
19S00012-30M	VG-J100-188-30M	-	30 m	30 m	PE	White



Code	Ref.				Material	
19S00020-3M	VG-JS150-125-3M	3 m	-	30 m	PE	White
19S00020-6M	VG-JS150-125-6M	6 m	-	60 m		
19S00020-30M	VG-JS150-125-30M	-	30 m	30 m		

Polyethylene wear strip

 Preferred type, readily available (codes marked in red)

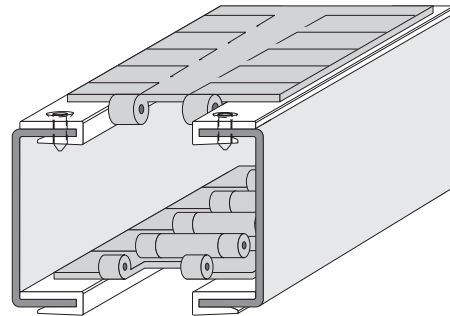


AS SIDE GUIDE

WEAR STRIP

Material:

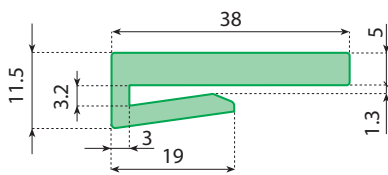
Extruded ultra high molecular weight polyethylene.
Max. continuous service temperature in air 90° C.
Water absorption coefficient = 0.







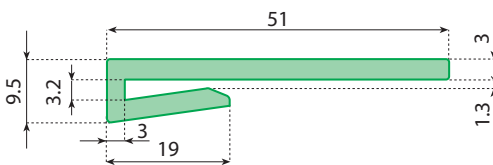
Nolu-S







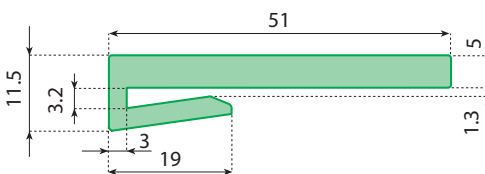
Polyethylene UHMW







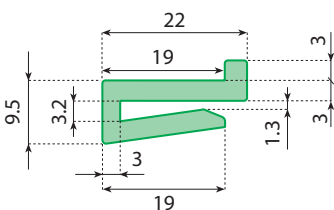
Code	Ref.				Material	
19S00021-3M	VG-JS150-188-3M	3 m	-	30 m	PE	White
19S00021-6M	VG-JS150-188-6M	6 m	-	60 m	PE	White







Code	Ref.				Material	
19S00023-3M	VG-JS200-125-3M	3 m	-	30 m	PE	White
19S00023-6M	VG-JS200-125-6M	6 m	-	60 m	PE	White



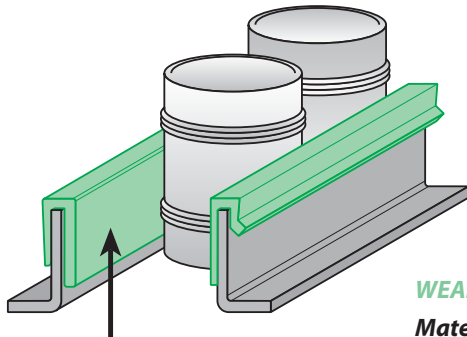
Code	Ref.				Material	
19S00024-3M	VG-JS200-188-3M	3 m	-	30 m	PE	White
19S00024-6M	VG-JS200-188-6M	6 m	-	60 m	PE	White



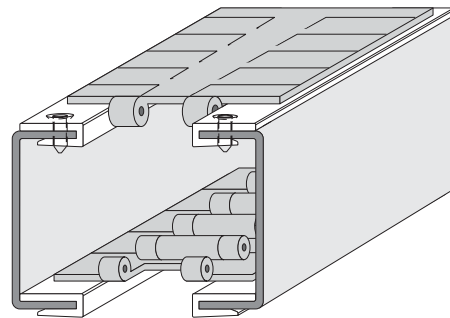
Code	Ref.				Material	
19S00016-3M	VG-JSL075-125-3M	3 m	-	30 m	PE	White
19S00016-6M	VG-JSL075-125-6M	6 m	-	60 m	PE	White
19S00016-30M	VG-JSL075-125-30M	-	30 m	30 m	PE	White
19S00016NS-30M	VG-JSL075-125-NS-30M	-	30 m	30 m	Nolu-S	Light Grey

Polyethylene wear strip

Preferred type, readily available (codes marked in red)



AS SIDE GUIDE



WEAR STRIP

Material:

Extruded ultra high molecular weight polyethylene.
Max. continuous service temperature in air 90° C.
Water absorption coefficient = 0.



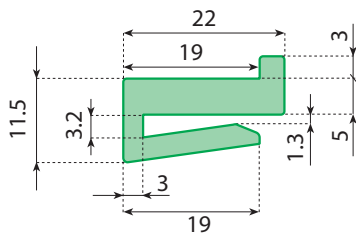
Polyethylene UHMW



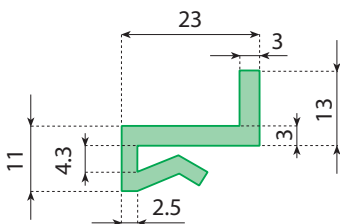
Polyamide



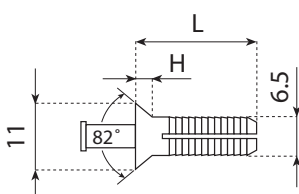
Acetal resin



Code	Ref.				Material	
19S00017-30M	VG-JSL075-188-30M	-	30 m	30 m	PE	White

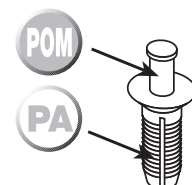
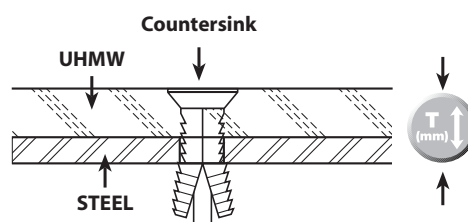


Code	Ref.				Material	
19S00014-3M	VG-JEL-078-125-3M	3 m	-	30 m	PE	White
19S00014-6M	VG-JEL-078-125-6M	6 m	-	60 m	PE	White



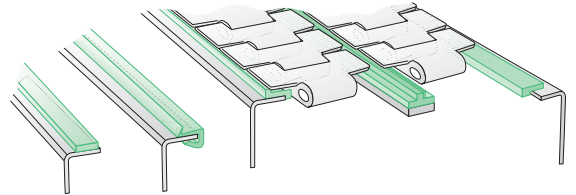
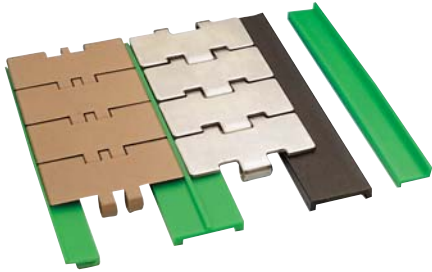
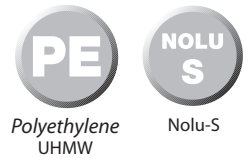
Code	Ref.				Min.	Max.		Material	
14S00086	VG-750-10	19	3	5	12.5				
14S00087	VG-750-20	25	3	6.5	19	n°100		PA-POM	-
14S00088	VG-750-30	38	3	19	32				

DRIVE RIVET



Chain guide wear strip

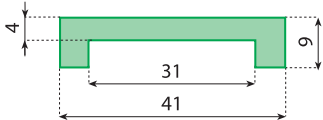
 Preferred type, readily available (codes marked in red)



WEAR STRIP

Material:

Extruded ultra high molecular weight polyethylene.
 Max. continuous service temperature in air 90° C.
 Water absorption coefficient = 0.



Code

19045N
19045V
19045NS



6 m



-



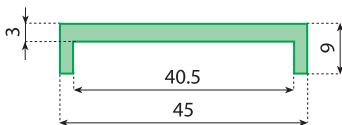
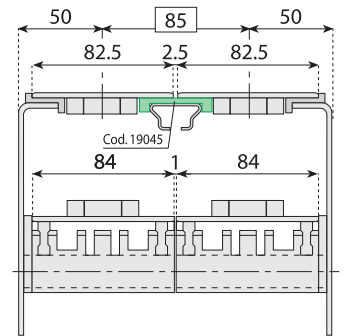
30 m



PE
 Nolu-S



Black
 Green
 Grey



Code

19075N
19075V



6 m



-



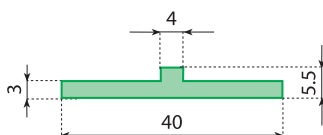
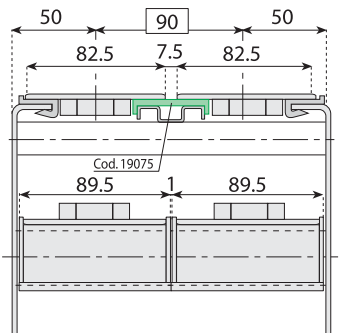
30 m



PE



Black
 Green



Code

19002N
19002V



-



60 m



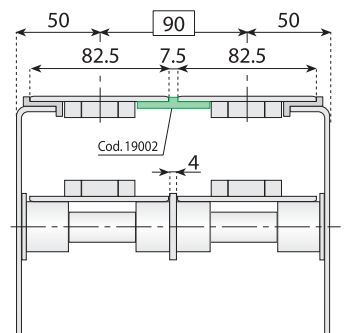
60 m



PE



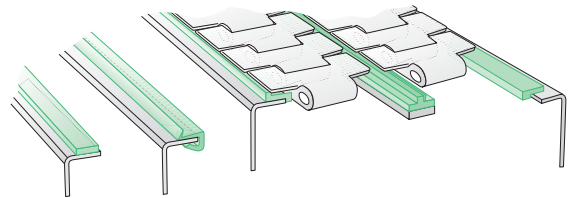
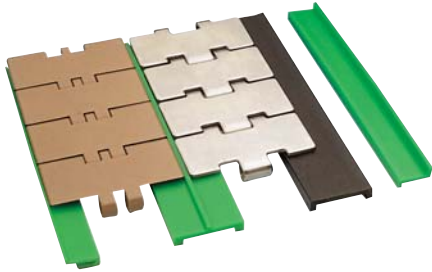
Black
 Green



Polyethylene wear strip

Preferred type, readily available (codes marked in red)

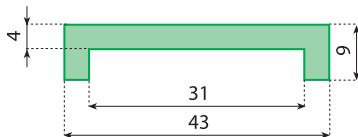
PE
Polyethylene
UHMW



WEAR STRIP

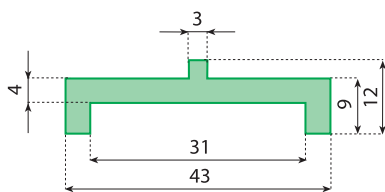
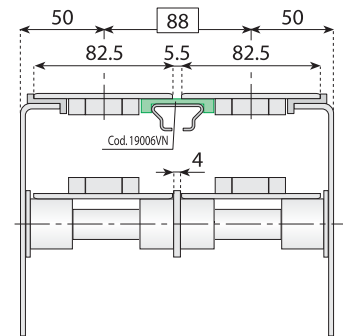
Material:

Extruded ultra high molecular weight polyethylene.
Max. continuous service temperature in air 90° C.
Water absorption coefficient = 0.



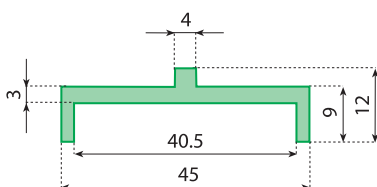
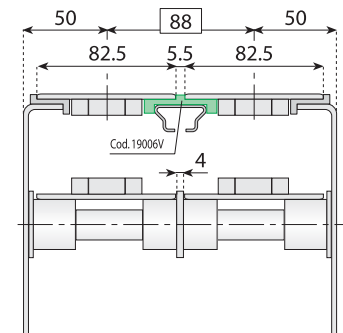
Code

19006LN	-	60 m	60 m	PE	Black
19006VN	-	60 m	60 m	PE	Green



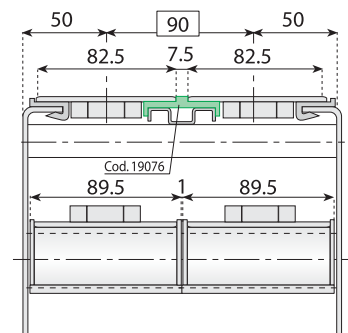
Code

19006N	-	60 m	60 m	PE	Black
19006V	-	60 m	60 m	PE	Green



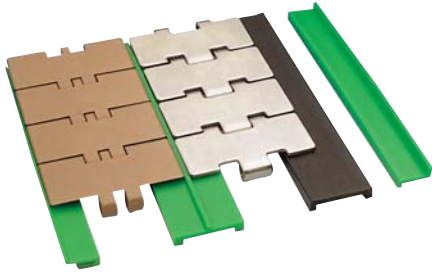
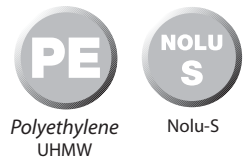
Code

19076N	6 m	-	30 m	PE	Black
19076V	6 m	-	30 m	PE	Green



Polyethylene wear strip

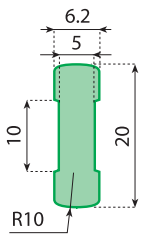
 Preferred type, readily available (codes marked in red)







WEAR STRIP

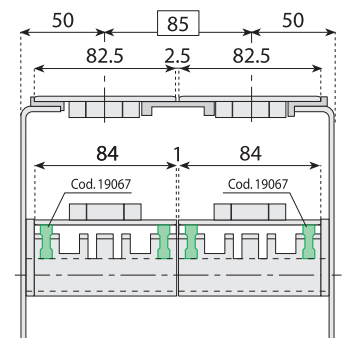
Material:




Extruded ultra high molecular weight polyethylene.
Max. continuous service temperature in air 90° C.
Water absorption coefficient = 0.

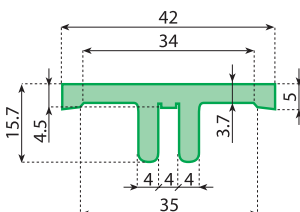
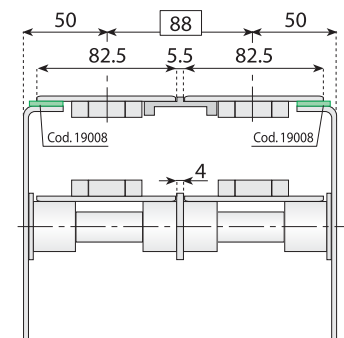





Code				Material	
19067N	-	60 m	60 m	PE	Black
19067V	-	60 m	60 m	PE	Green
19067NS	-	60 m	60 m	Nolu-S	Grey

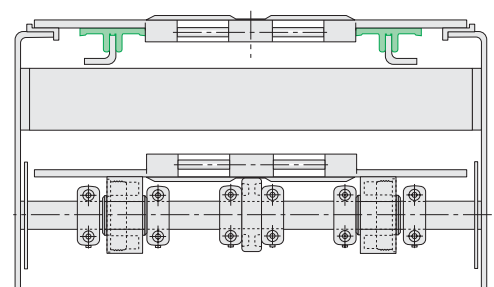
Notes: use for spacer code 14349.



Code	L x H mm			Material	
19008N	20 x 3				Black
19008V	20 x 3				Green
19009N	20 x 5				Black
19009V	20 x 5				Green
19010N	25 x 3				Black
19010V	25 x 3				Green
19011N	30 x 3				Black
19011V	30 x 3				Green
19012N	40 x 3	60 m	60 m	PE	Black
19012V	40 x 3	60 m	60 m	PE	Green
19013N	50 x 3				Black
19013V	50 x 3				Green
19014SN	60 x 3				Black
19014SV	60 x 3				Green
19014N	70 x 3				Black
19014V	70 x 3				Green

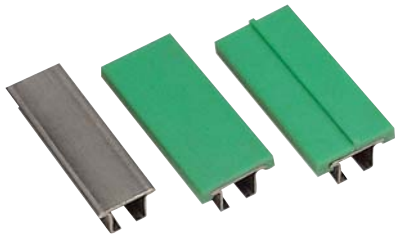


Code			Material	
19093N	3 m	30 m	PE	Black
19093V	3 m	30 m	PE	Green
19093B	3 m	30 m	PE	White



Chain guide wear strip

Preferred type, readily available (codes marked in red)



WEAR STRIP

Material:

Extruded ultra high molecular weight polyethylene.
Max. continuous service temperature in air 90° C.
Water absorption coefficient = 0.



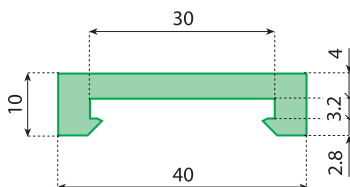
Polyethylene UHMW



Polyethylene antistatic UHMW

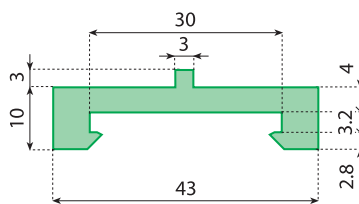
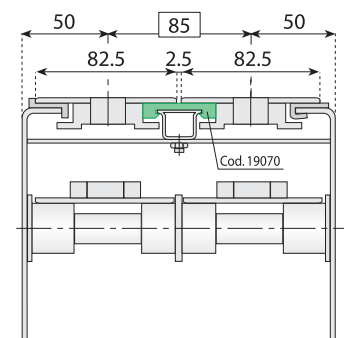


Nolu-S



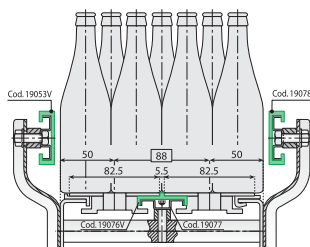
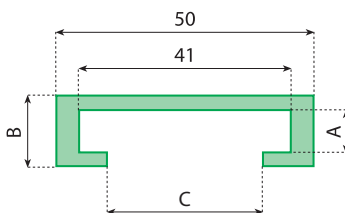
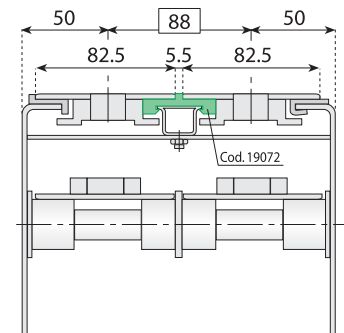
Code				Material	
19071C		3 m		PE	Black
19071		6 m		PE	Black
19070C		3 m		PE	Green
19070		6 m		PE	Green
19070BC	0.20	3 m	30 m	PE	White
19070B		6 m		PE	White
19071ASC		3 m		PE-as	Black
19071AS		6 m		PE-as	Black
19071NS		6 m		Nolu-S	Grey

Notes: this profile can be used in combination with steel profile code 19048 - 19048K.



Code				Material	
19073C		3 m		PE	Black
19073		6 m		PE	Black
19072C		3 m		PE	Green
19072		6 m		PE	Green
19072BC	0.20	3 m	30 m	PE	White
19072B		6 m		PE	White
19073ASC		3 m		PE-as	Black
19073AS		6 m		PE-as	Black

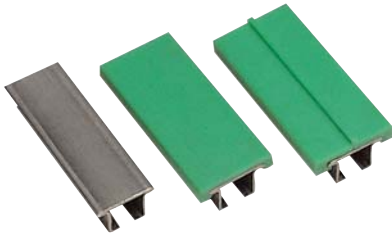
Notes: this profile can be used in combination with steel profile code 19048 - 19048K.



Code			A	B	C		Material	
19080N	0.23	3 m	6.5	12			PE	Black
19080NL	0.23	6 m	6.5	12	30	30 m	PE	Black
19080V	0.23	3 m	6.5	12			PE	Green
19080VL	0.23	6 m	6.5	12			PE	Green
19053N	0.25	3 m	8.5	14			PE	Black
19053NL	0.25	6 m	8.5	14	27.5	30 m	PE	Black
19053V	0.25	3 m	8.5	14			PE	Green
19053VL	0.25	6 m	8.5	14			PE	Green
19081N	0.27	3 m	10.5	16			PE	Black
19081NL	0.27	6 m	10.5	16	35	30 m	PE	Black
19081V	0.27	3 m	10.5	16			PE	Green
19081VL	0.27	6 m	10.5	16			PE	Green

Chain guide wear strip

 Preferred type, readily available (codes marked in red)



CHAIN GUIDE WEAR STRIP

Material:

- Metal profile in stainless steel AISI 304.
- Wear strip in UHMWPE.

Characteristics:

- Very low friction coefficient.
- High resistance to chemical agents.
- No liquid absorption.

Supply:

- 3 or 6 meters.
- Steel profile and wear strip are supplied assembled.

Application:

- As chain guide.
- As side guide.



Polyethylene
UHMW



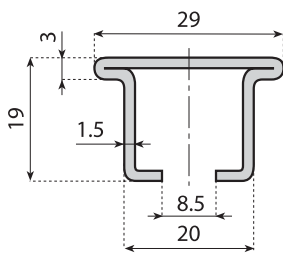
Polyethylene
antistatic
UHMW






AISI 304
Stainless steel



Accessories

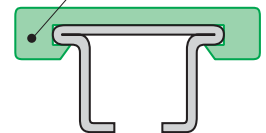


STAINLESS STEEL PROFILE

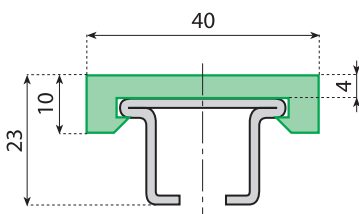
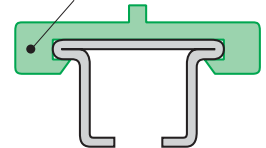
Code	 Kg/m	 L		Material
19048C	0.90	3 m	30 m	SS 304
19048		6 m		

These profiles are applicable
to code 19048 - 19048C

cod. 19070 - 19071

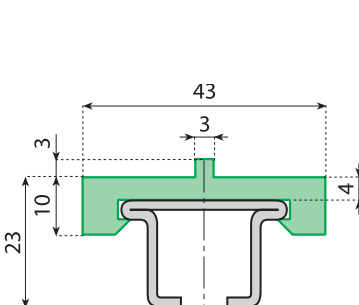
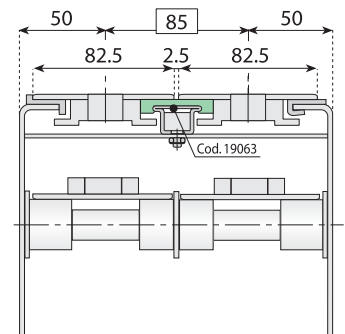


cod. 19072 - 19073



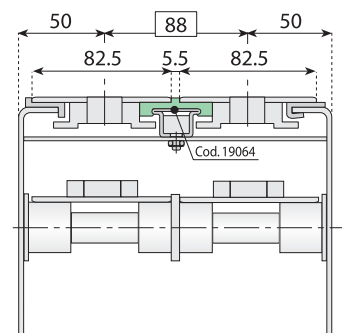
Code	 Kg/m	 L		Material	
19063NC	1.10	3 m	30 m	PE	Black
19063N		6 m		PE	Black
19063VC		3 m		PE	Green
19063V		6 m		PE	Green
19063BC		3 m		PE	White
19063B		6 m		PE	White
19063ASC		3 m		PE-as	Black
19063AS		6 m		PE-as	Black

Notes: the stainless steel profile and wear strip are supplied assembled.



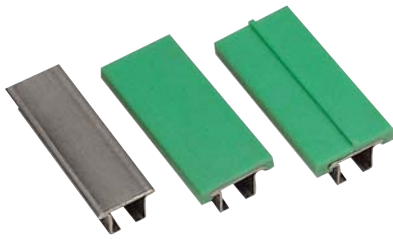
Code	 Kg/m	 L		Material	
19064NC	1.10	3 m	30 m	PE	Black
19064N		6 m		PE	Black
19064VC		3 m		PE	Green
19064V		6 m		PE	Green
19064BC		3 m		PE	White
19064B		6 m		PE	White
19064ASC		3 m		PE-as	Black
19064AS		6 m		PE-as	Black

Notes: the stainless steel profile and wear strip are supplied assembled.



Chain guide wear strip

Preferred type, readily available (codes marked in red)



CHAIN GUIDE WEAR STRIP

Material:

- Metal profile in stainless steel AISI 304.
- Wear strip in UHMWPE.

Characteristics:

- Very low friction coefficient.
- High resistance to chemical agents.
- No liquid absorption.

Supply:

- 3 or 6 meters.
- Steel profile and wear strip are supplied assembled.

Application:

- As chain guide.
- As side guide.



Polyethylene
UHMW



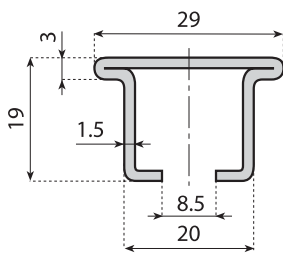
Polyethylene
antistatic
UHMW



AISI 304
Stainless steel



Accessories

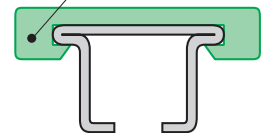


STAINLESS STEEL PROFILE

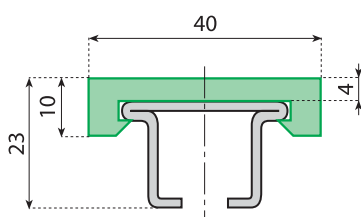
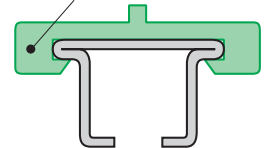
Code	Kg/m	L	Material
19048KC	0.90	3 m	SS 430
19048K		6 m	

These profiles are applicable to code 19048 - 19048C

cod. 19070 - 19071

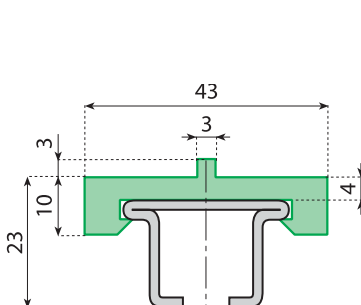
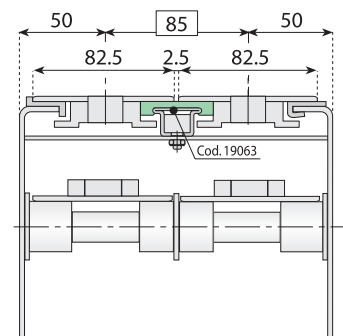


cod. 19072- 19073



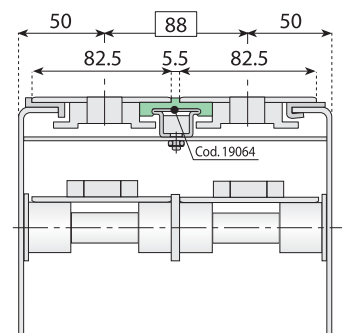
Code	Kg/m	L	Material	Color
19063KNC	1.10	3 m	PE	Black
19063KN		6 m	PE	Black
19063KVC		3 m	PE	Green
19063KV		6 m	PE	Green
19063KBC		3 m	PE	White
19063KB		6 m	PE	White
19063KASC		3 m	PE-as	Black
19063KAS		6 m	PE-as	Black

Notes: the stainless steel profile and wear strip are supplied assembled.



Code	Kg/m	L	Material	Color
19064KNC	1.10	3 m	PE	Black
19064KN		6 m	PE	Black
19064KVC		3 m	PE	Green
19064KV		6 m	PE	Green
19064KBC		3 m	PE	White
19064KB		6 m	PE	White
19064KASC		3 m	PE-as	Black
19064KAS		6 m	PE-as	Black

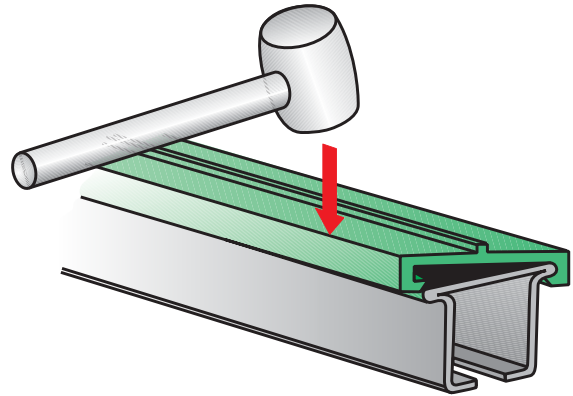
Notes: the stainless steel profile and wear strip are supplied assembled.



Chain guide wear strip

ASSEMBLY

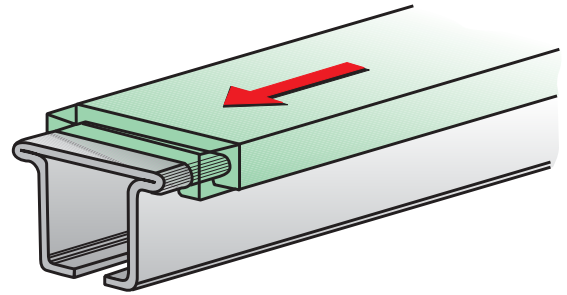
Notes: steel profile and wear strip can be assembled by using a rubber hammer.



THERMAL EXPANSION

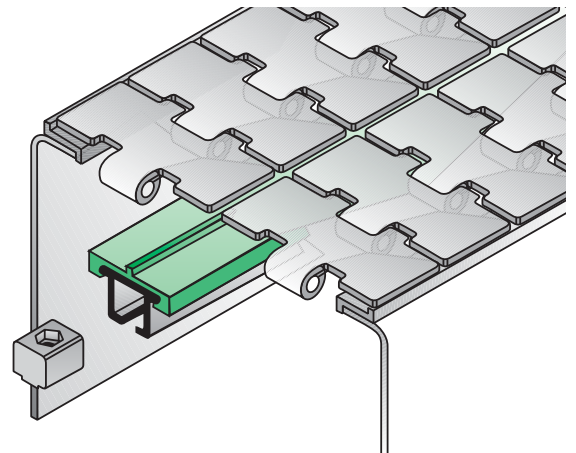
Notes:

- Coefficient of linear expansion of wear strip between + 20° C and + 120° C = $2 \times 10^{-4} \text{ mm/}^\circ\text{C}$.
- Max. continuous service temperature in air: 90° C.
- Water absorption = 0.



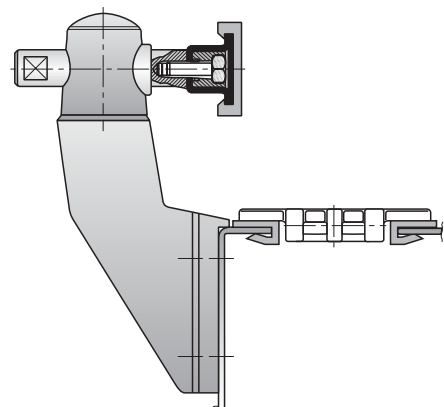
FIXING

Notes: rapid wear strip assembly with M6 or M8 screws.



SIDE GUIDE

Application: the profile can be used on several conveyors as a side guide or as a chains support in combination with standard UHMWPE guides or wear strip.



Wear strip shoe for steel profile

 Preferred type, readily available (codes marked in red)



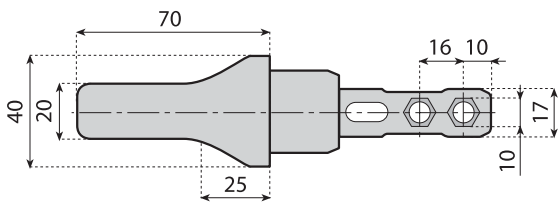
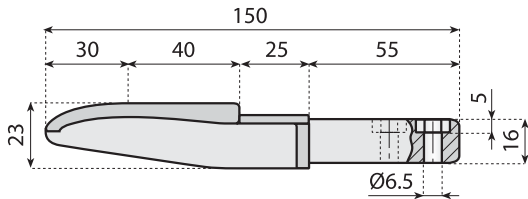
Polyamide



Accessories



WEAR STRIP SHOE

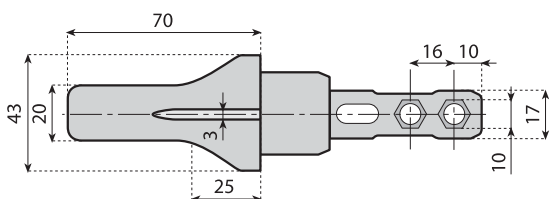
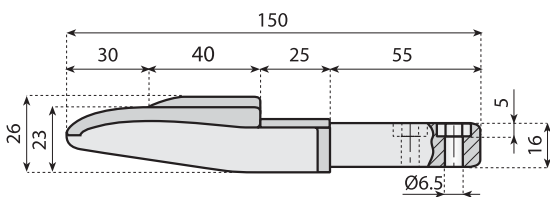
Application: shoes are used to help chain guide between idler wheels and wear strip and must be fixed with M6 screws.



WEAR STRIP SHOE



Application: with chain L 82,5 - K325.

Code	for screws		Material	
14090	M 6	n°50	PA	Black
14090V	M 6	n°50	PA	Green

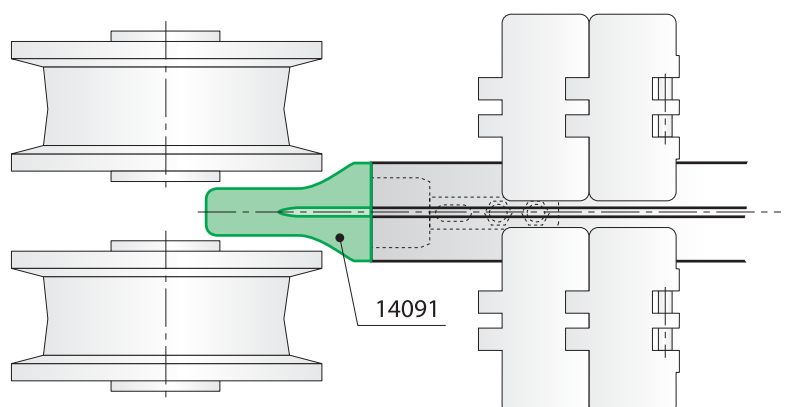
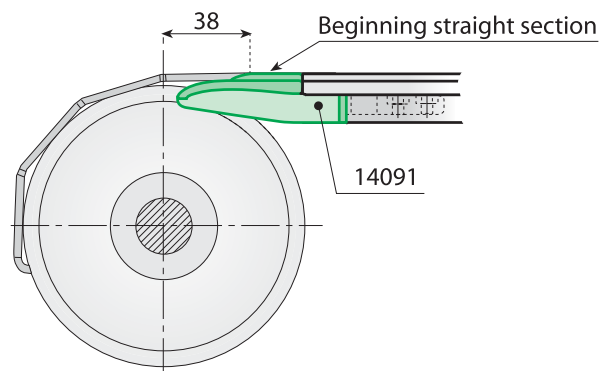
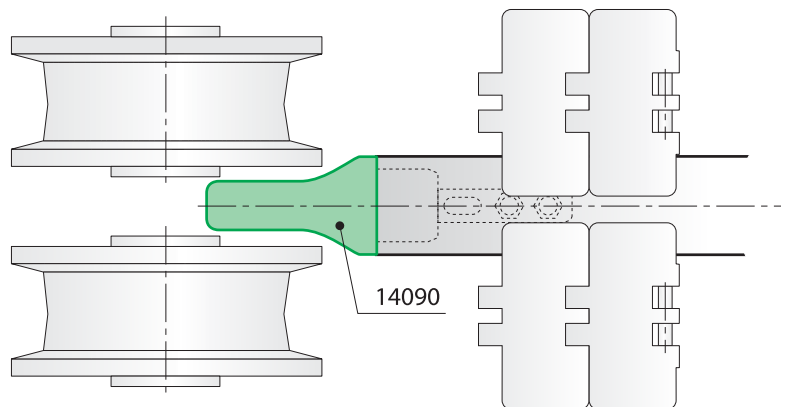


WEAR STRIP SHOE

Application: with chain L 82,5 - K325 pitch P = 88 mm.

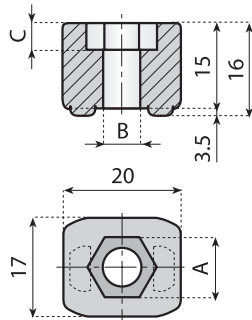
Code	for screws		Material	
14091	M 6	n°50	PA	Black
14091V	M 6	n°50	PA	Green

APPLICATION EXAMPLE





Chain guide wear strip (accessories)

 Preferred type, readily available (codes marked in red)

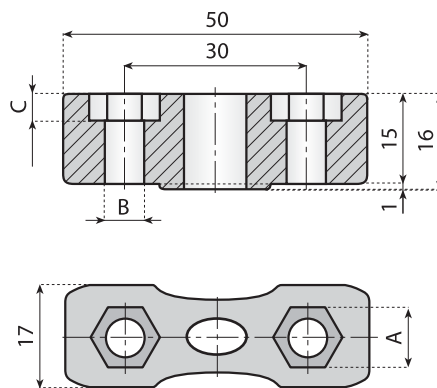
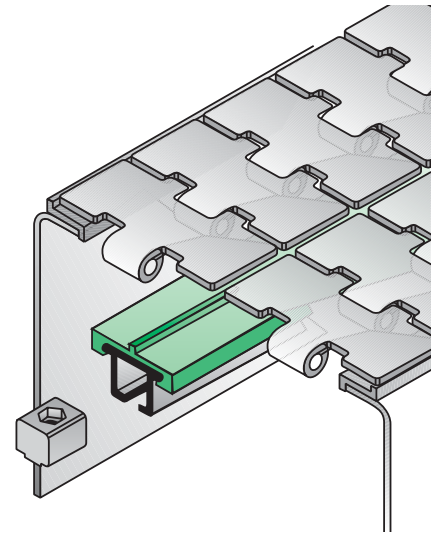


FIXING CLAMP



Application: rapid wear strip assembly with M6 or M8 screws.

Code	A mm	B mm	C mm	for screws		Material	
14108	10	6.2	4.5	M6	n°100	PA-FG	Black
14109	13	8.2	6	M8			

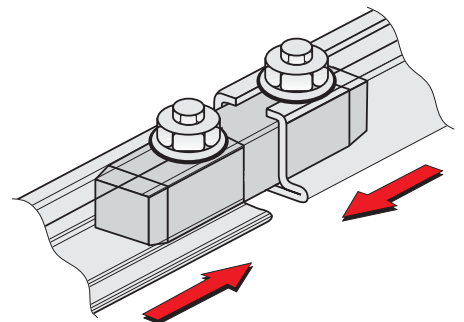
Notes: screws are not included.



CONNECTING ELEMENT

Code	A mm	B mm	C mm	for screws		Material	
14075	10	6.2	4.5	M6	n°100	PA-FG	Black
14111	13	8.2	6	M8			

Notes: screws are not included.



Wear strip shoe for steel profile

Preferred type, readily available (codes marked in red)



WEAR STRIP SHOE

Application: shoes are used to help chain guide between idler wheels and wear strip and must be fixed with M6 screws.



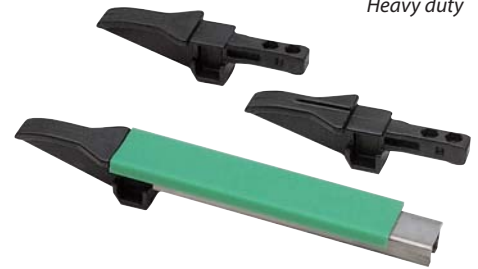
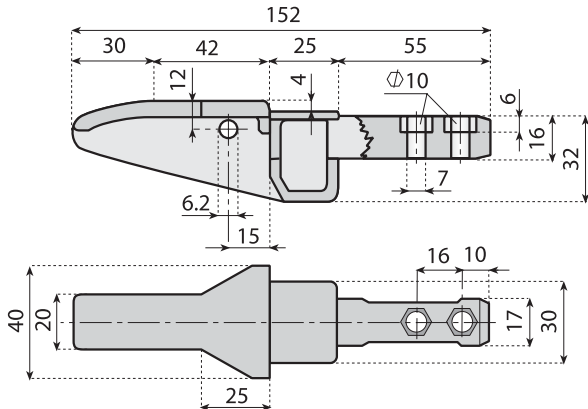
Polyamide



Accessories



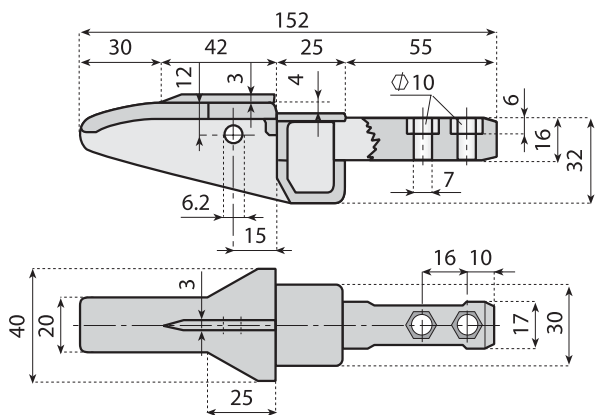
Heavy duty



WEAR STRIP SHOE

Application: with chain L 82,5 - K325.

Code	for screws		Material	
14110	M 6	n°50	PA	Black
14110V				Green

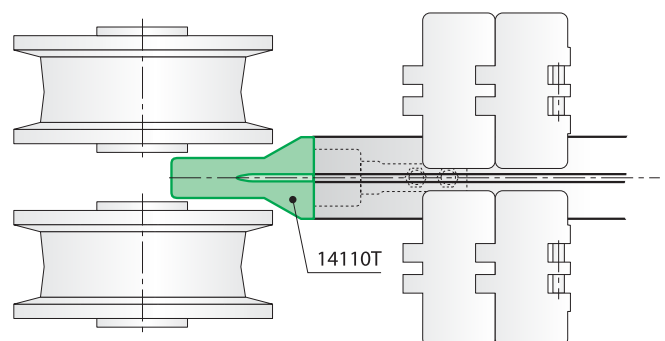
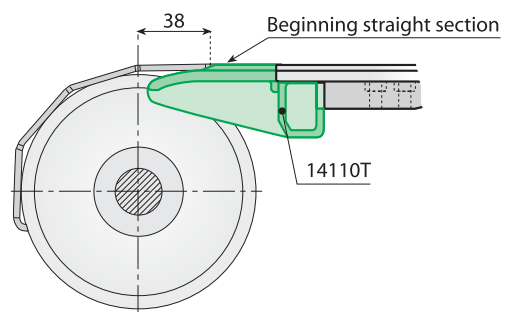
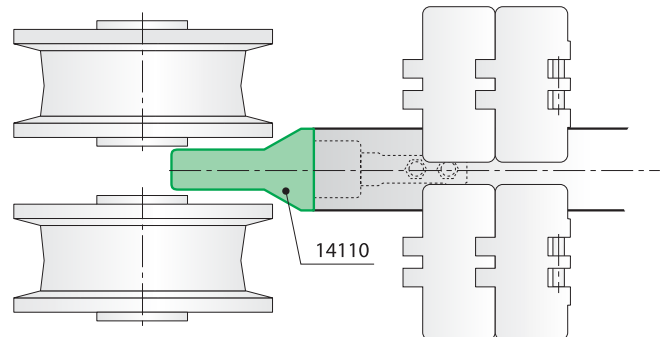


WEAR STRIP SHOE

Application: with chain L 82,5 - K325 pitch P = 88 mm.

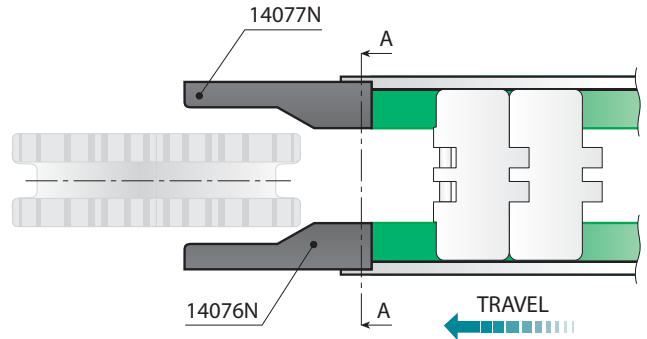
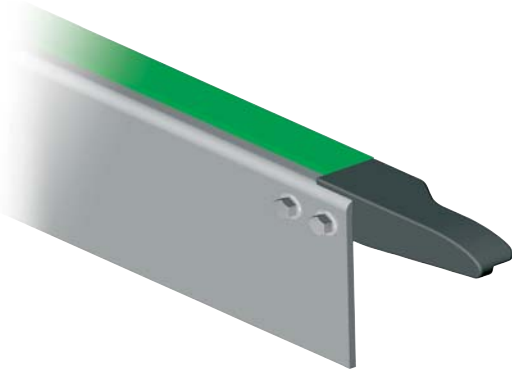
Code	for screws		Material	
14110T	M 6	n°50	PA	Black
14110TV				Green

APPLICATION EXAMPLE



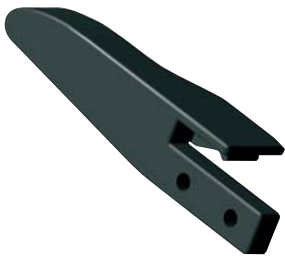
Chain inlet guide shoes

 Preferred type, readily available (codes marked in red)





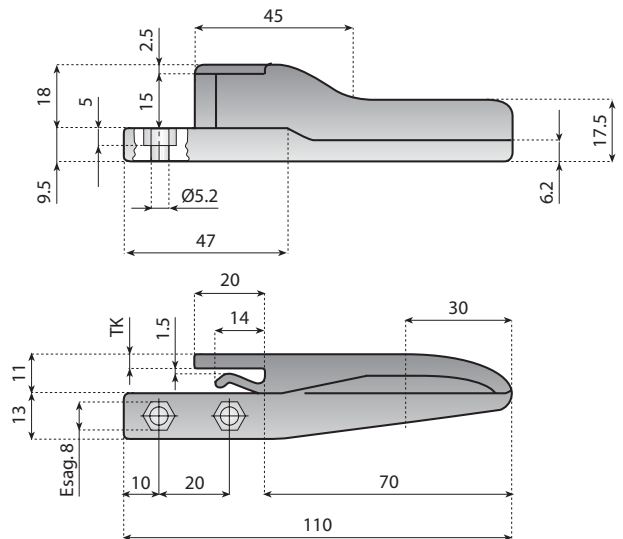
CHAIN INLET GUIDE SHOES

Application: shoes are used to help chain guide between idler wheels and wear strip and must be fixed with M5 screws.





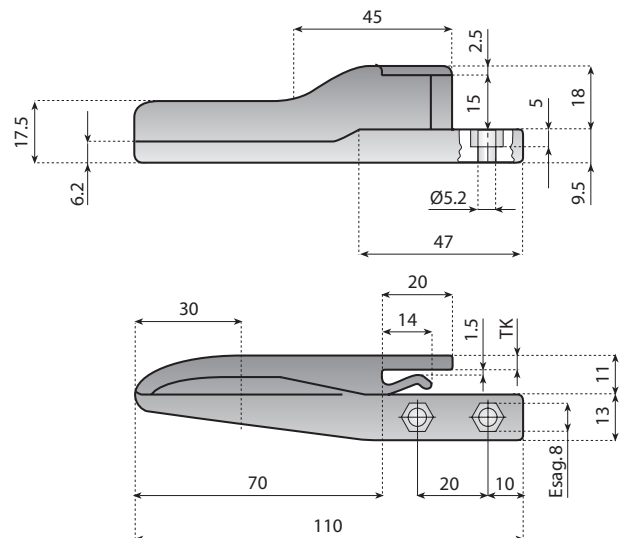
GUIDE SHOE (right version)

Code	fixing screws	TK		Material	
14076N	M 5	3 mm	n°10	PA	Black
14076V		3 mm			Green
14087N		4 mm			Black
14087V		4 mm			Green



GUIDE SHOE (left version)

Code	fixing screws	TK		Material	
14077N	M 5	3 mm	n°10	PA	Black
14077V		3 mm			Green
14088N		4 mm			Black
14088V		4 mm			Green

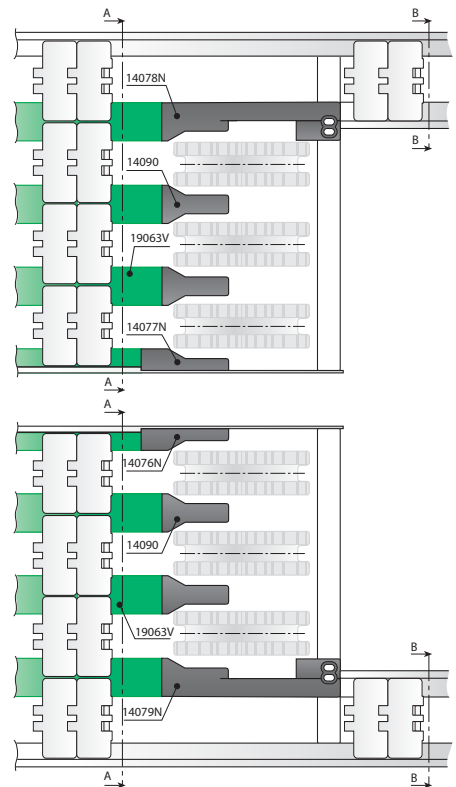


Side transfer guide shoe

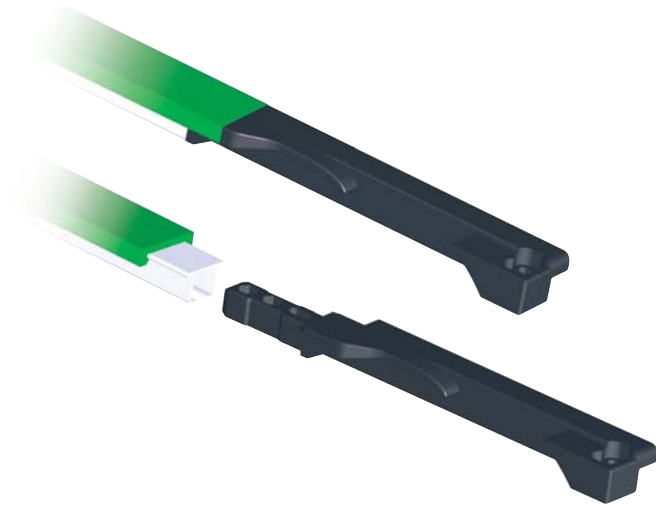
Preferred type, readily available (codes marked in red)



Polyamide [Accessories](#)



IMPROVED DESIGN

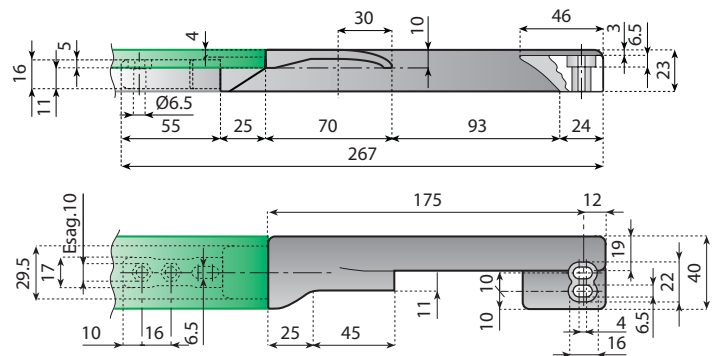


SIDE TRANSFER GUIDE SHOE

Application: shoes are used to help chain guide between idler wheels and wear strip and must be fixed with M6 screws.

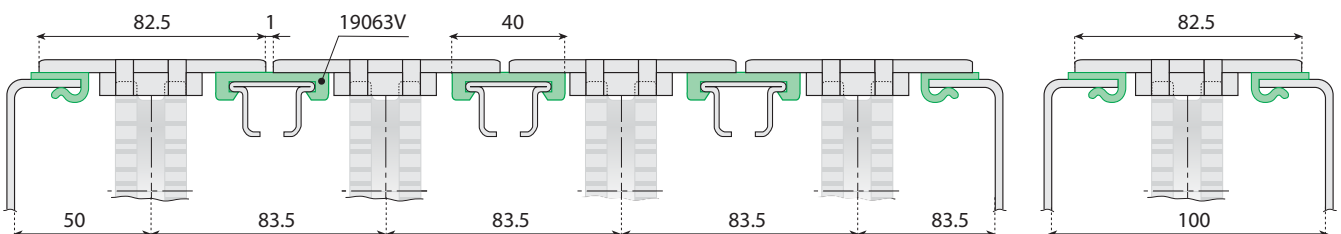
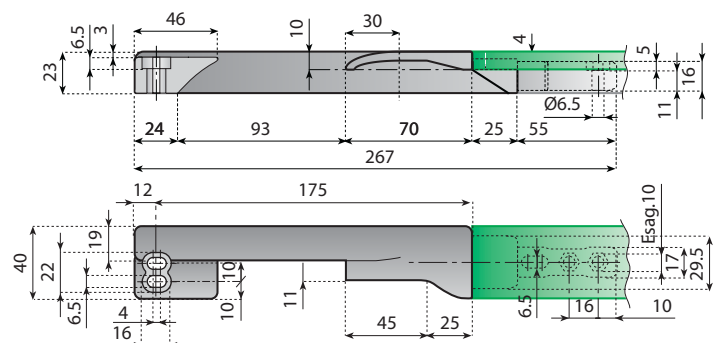
SIDE TRANSFER GUIDE SHOE - RIGHT VERSION

Code	fixing screws	n°	Material	Color
14078N	M 6	n°10	PA	Black Green
14078V				



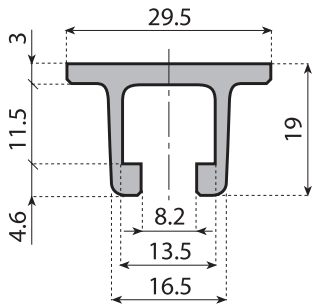
SIDE TRANSFER GUIDE SHOE - LEFT VERSION

Code	fixing screws	n°	Material	Color
14079N	M 6	n°10	PA	Black Green
14079V				

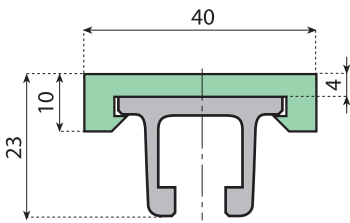


Chain guide wear strip

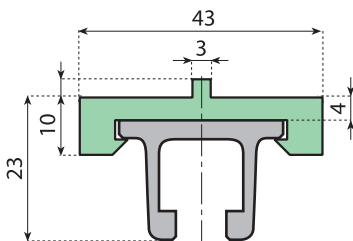
 Preferred type, readily available (codes marked in red)



ALUMINIUM PROFILE



CHAIN GUIDE WEAR STRIP



CHAIN GUIDE WEAR STRIP

CHAIN GUIDE WEAR STRIPS

Material:

- Metal profile in anodized aluminium.
- Wear strip in UHMWPE.

Characteristics:

- Very low friction coefficient.
- Moderate resistance to chemical agents.
- No liquid absorption.

Supply:

- 3 or 6 meters.
- Metal profile and wear strip are supplied assembled.

Application:

- As chain guide (carry and return).
- As side guide.



Polyethylene UHMW



Polyethylene antistatic UHMW



Anodized aluminium

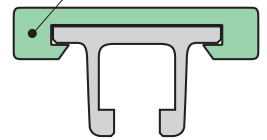


Accessories

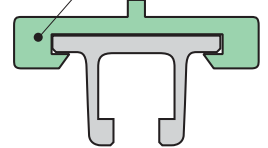
Code	Kg/m	L	Material
19097L	0.50	3 m	AL-a
19097		6 m	

These profiles are applicable to code 19097 - 19097L

cod. **19070 - 19071**

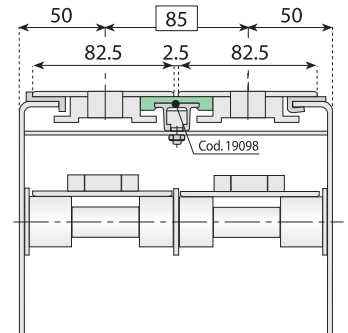


cod. **19072 - 19073**



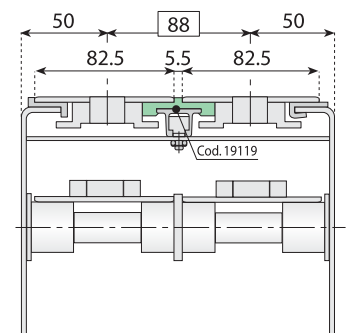
Code	Kg/m	L	Material	Color
19098N		3 m	PE	Black
19098NL		6 m	PE	Black
19098V		3 m	PE	Green
19098VL		6 m	PE	Green
19098B	0.68	3 m	PE	White
19098BL		6 m	PE	White
19098AS		3 m	PE-as	Black
19098ASL		6 m	PE-as	Black

Notes: the aluminium profile and wear strip are supplied assembled.



Code	Kg/m	L	Material	Color
19119N		3 m	PE	Black
19119NL		6 m	PE	Black
19119V		3 m	PE	Green
19119VL		6 m	PE	Green
19119B	0.70	3 m	PE	White
19119BL		6 m	PE	White
19119AS		3 m	PE-as	Black
19119ASL		6 m	PE-as	Black

Notes: the aluminium profile and wear strip are supplied assembled.



Chain guide wear strip Accessories for aluminium profile

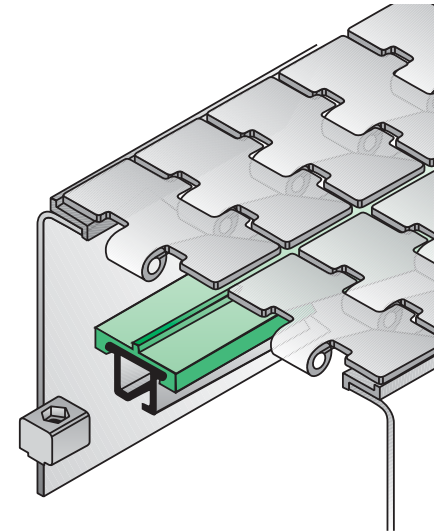
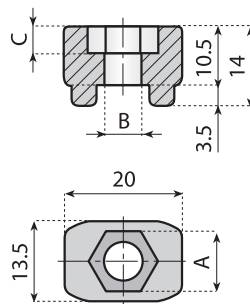
Preferred type, readily available (codes marked in red)

**PA
FG**
Reinforced
polyamide



FIXING CLAMP

Application: rapid wear strip assembly with screws M6 or M5.

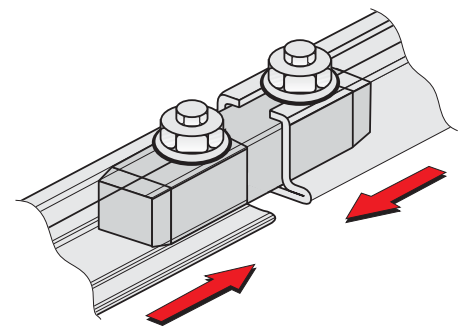
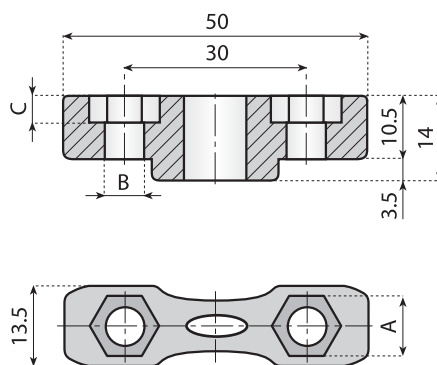


Code	A mm	B mm	C mm	for screws		Material	
14084	10	6.2	4.5	M6	n°100	PA-FG	Black
14085	8	5.2	4	M5			

Notes: screws are not included.



CONNECTING ELEMENT



Code	A mm	B mm	C mm	for screws		Material	
14082	10	6.2	4.5	M6	n°100	PA-FG	Black
14083	8	5.2	4	M5			Black

Notes: screws are not included.

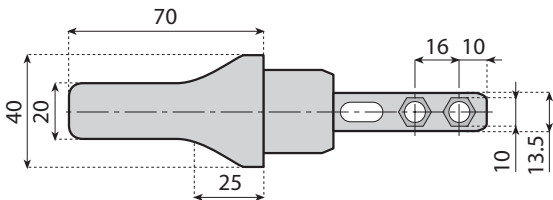
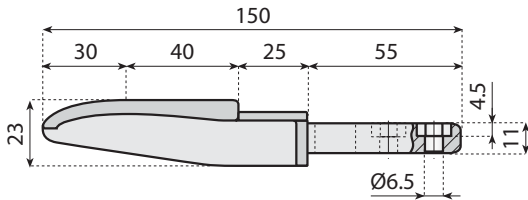
Chain guide wear strip Accessories for aluminium profile

 Preferred type, readily available (codes marked in red)





WEAR STRIP SHOE

Application: shoes are used to help chain guide between idler wheels and wear strip and must be fixed with M6 screws.

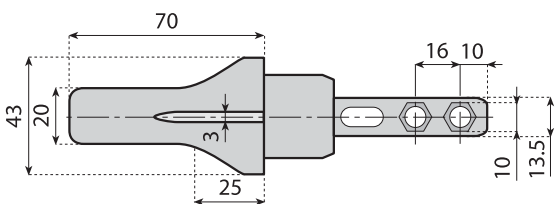
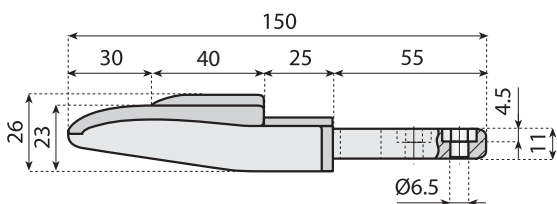
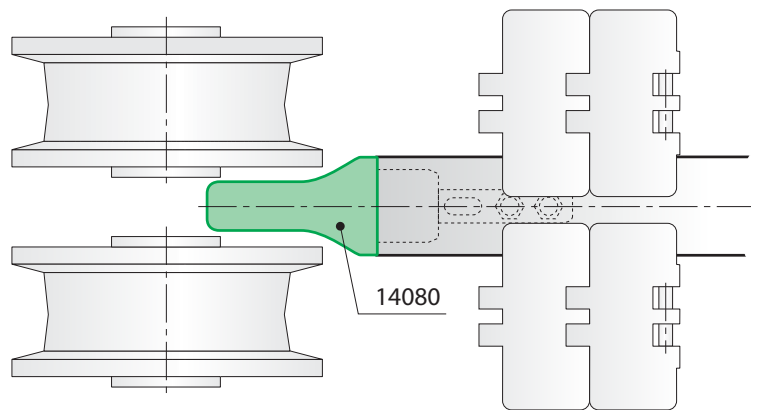


WEAR STRIP SHOE

Application: with chain L 82,5 - K325.



Code	for screws		Material	
14080	M 6	n°50	PA	Black
14080V	M 6	n°50	PA	Green

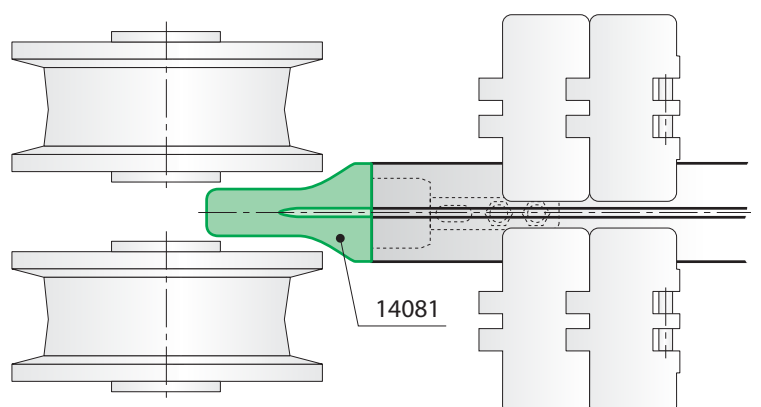
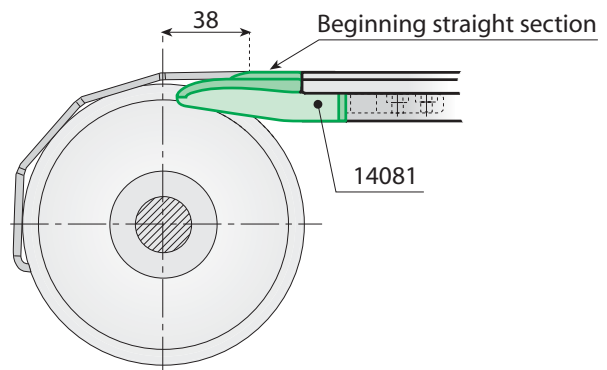
APPLICATION EXAMPLE



WEAR STRIP SHOE

Application: with chain L 82,5 - K325 distance 88 mm.

Code	for screws		Material	
14081	M 6	n°50	PA	Black
14081V	M 6	n°50	PA	Green

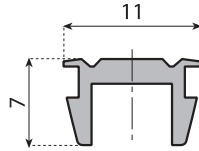


Chain guide wear strip (accessories)

 Preferred type, readily available (codes marked in red)

TPR
Thermoplastic rubber

PA FG
Reinforced polyamide



PROTECTION TAPE

Application: protection of steel profile against infiltration of liquids and dust.

Code
19049

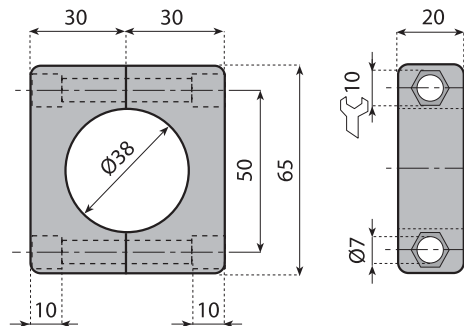
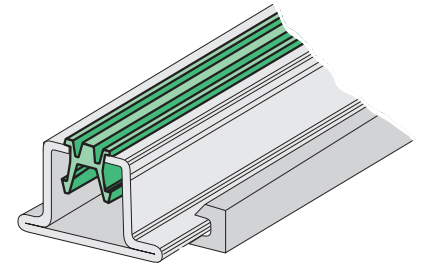


30 m



Material

TPR



Code
14347



n°50

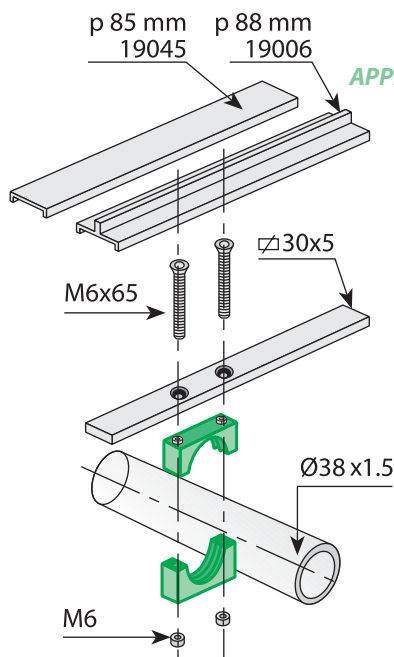


PA-FG

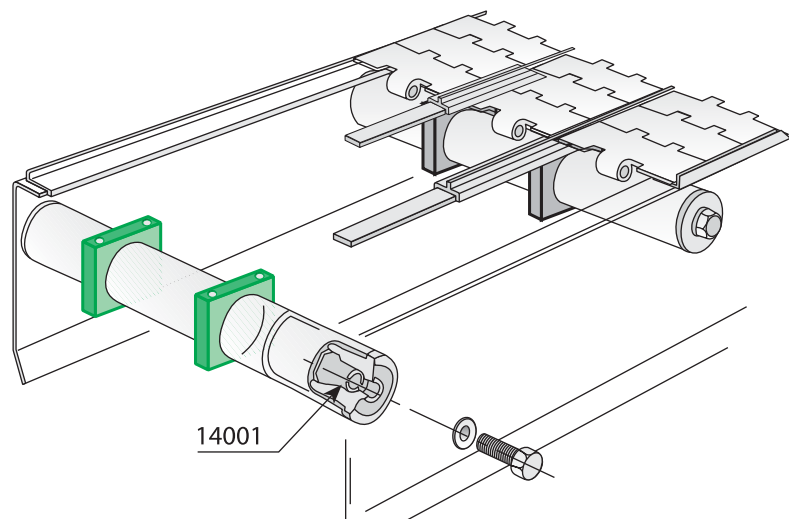
WEAR STRIP CLAMP

Application: support of wear strip.

Notes: screws are not included.



APPLICATION EXAMPLE



Bar Caps

 Preferred type, readily available (codes marked in red)

PE
Polyethylene
UHMW

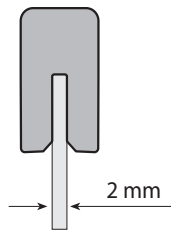
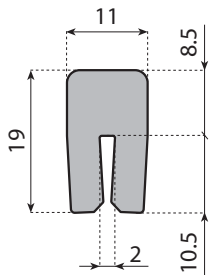
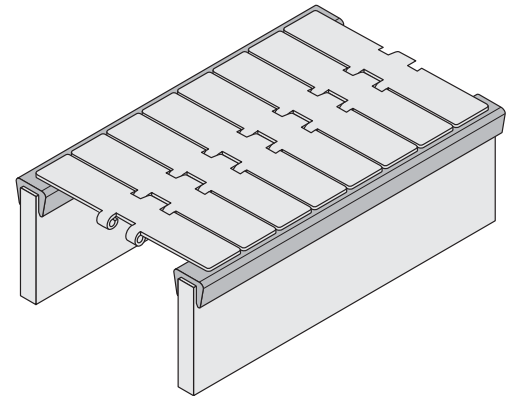
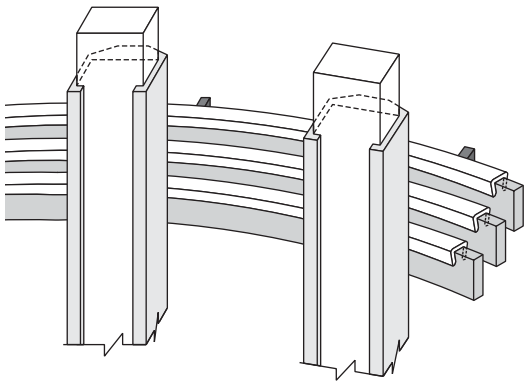
**NOLU
S**
Nolu-S

**NOLU
SR**
Nolu-SR

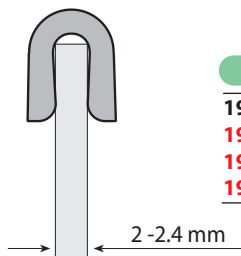
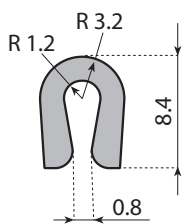
BAR CAPS





Material:

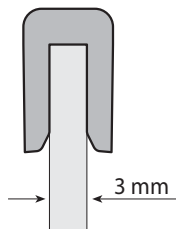
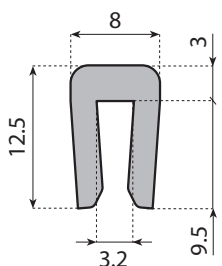
Extruded ultra high molecular weight polyethylene.
Max. continuous service temperature in air 90° C.
Water absorption coefficient = 0.



Code	Ref.				Material	
19S00050-3M	VG-P116HD-3M	3 m	-	30 m	PE	White
19S00050-6M	VG-P116HD-6M	6 m	-	60 m	PE	White



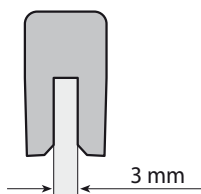
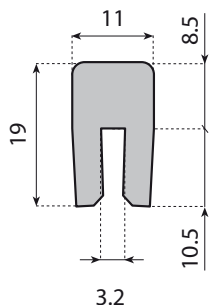
Code	Ref.				Material	
19S00036NS-30M	VG-P105R-30M	-	30 m	30 m	Nolu-S	Light Grey
19S00036NS-75M	VG-P105R-75M	-	75 m	75 m	Nolu-S	Light Grey
19S00036NSR-30M	VG-P105RCL-30M	-	30 m	30 m	Nolu-SR	Dark Grey
19S00036NSR-75M	VG-P105RCL-75M	-	75 m	75 m	Nolu-SR	Dark Grey



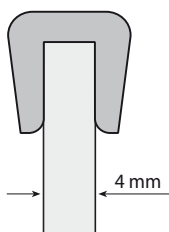
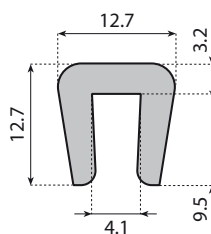
Code	Ref.				Material	
19S00056-30M	VG-P18BC-30M	-	30 m	30 m	PE	White
19S00056NS-30M	VG-P18BC-NS-30M	-	30 m	30 m	Nolu-S	Light Grey

Bar Caps

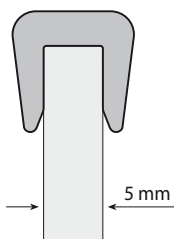
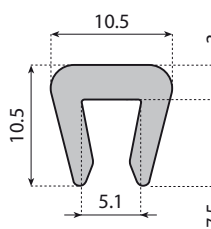
Preferred type, readily available (codes marked in red)



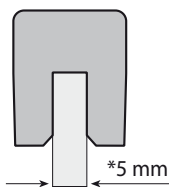
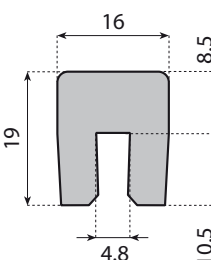
Code	Ref.				Material	
19S00062-3M	VG-P18HD-3M	3 m	-	30 m	PE	White
19S00062-6M	VG-P18HD-6M	6 m	-	60 m	PE	White



Code	Ref.				Material	
19S00082-30M	VG-PM4BC-30M	-	30 m	30 m	PE	White
19S00082-75M	VG-PM4BC-75M	-	75 m	75 m	PE	White

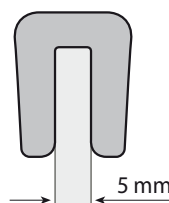
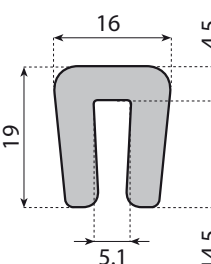


Code	Ref.				Material	
19S00066-3M	VG-P316BC-3M	3 m	-	30 m	PE	White
19S00066-6M	VG-P316BC-6M	6 m	-	60 m	PE	White
19S00066-30M	VG-P316BC-30M	-	30 m	30 m	PE	White



Code	Ref.				Material	
19S00067-3M	VG-P316HD-3M	3 m	-	30 m	PE	White
19S00067-6M	VG-P316HD-6M	6 m	-	60 m	PE	White

* VERY TIGHT FIT



Code	Ref.				Material	
19S00073-3M	VG-P7GABC-3M	3 m	-	30 m	PE	White
19S00073-6M	VG-P7GABC-6M	6 m	-	60 m	PE	White
19S00073-30M	VG-P7GABC-30M	-	30 m	30 m	PE	White
19S00073NS-3M	VG-P7GABC-NS-3M	3 m	-	30 m	Nolu-S	Light Grey
19S00073NS-6M	VG-P7GABC-NS-6M	6 m	-	60 m	Nolu-S	Light Grey

Bar Caps

 Preferred type, readily available (codes marked in red)



Polyethylene
UHMW

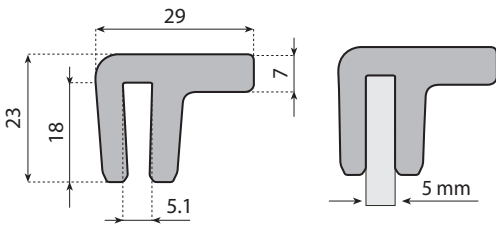
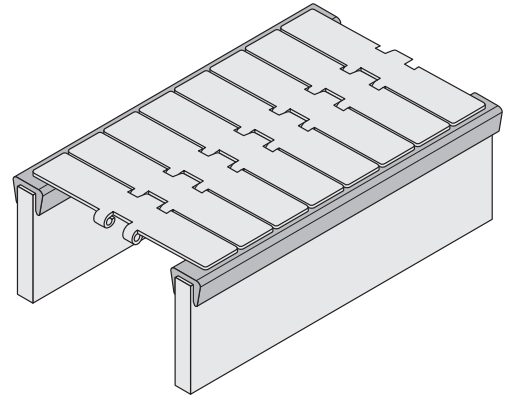
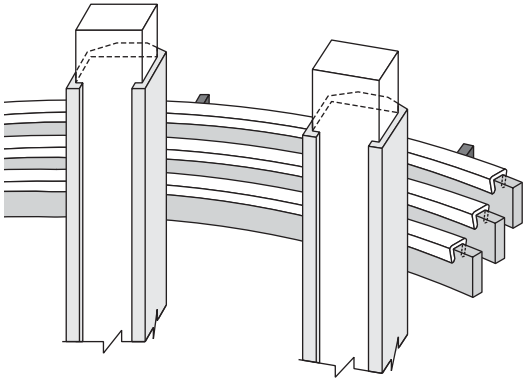


Nolu-S

BAR CAPS

Material:

Extruded ultra high molecular weight polyethylene.
Max. continuous service temperature in air 90° C.
Water absorption coefficient = 0.



Code

19S00076-3M
19S00076-6M
19S00076NS-6M

Ref.

VG-P7GAHD-3M
VG-P7GAHD-6M
VG-P7GAHD-NS-6M



3 m
6 m
6 m



-
-
-



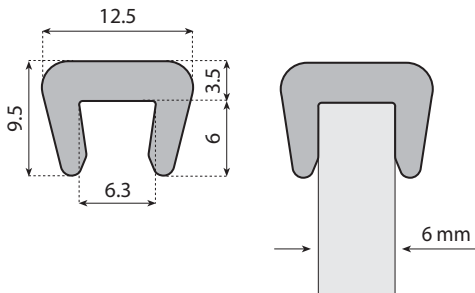
30 m
60 m
30 m



PE
PE
Nolu-S



White
White
Light Grey



Code

19S00055-30M

Ref.

VG-P14SBC-30M



-



30 m



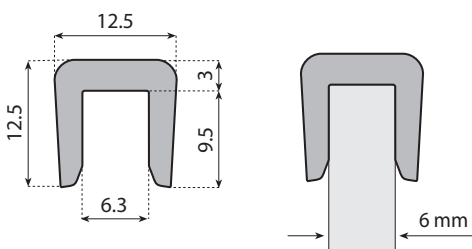
30 m



PE



White



Code

19S00052-30M
19S00052-150M

Ref.

VG-P14BC-30M
VG-P14BC-150M



-



30 m
150 m



30 m
150 m



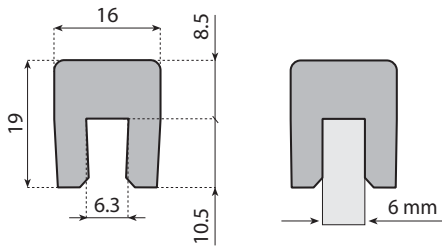
PE



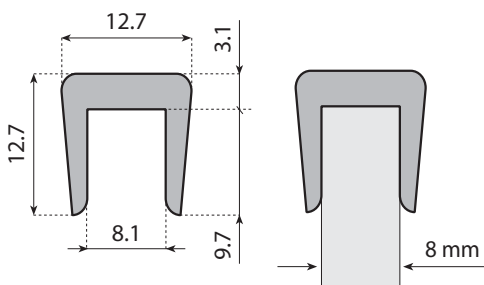
White

Bar Caps

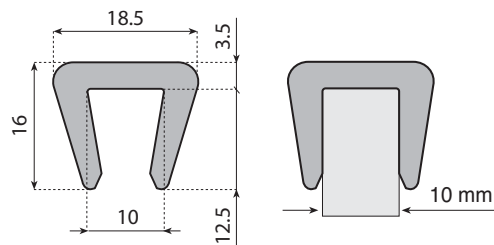
Preferred type, readily available (codes marked in red)



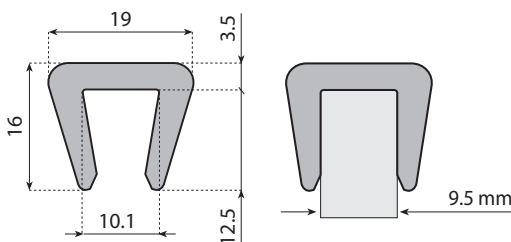
Code	Ref.				Material	
19S00054-3M	VG-P14HD-3M	3 m	-	30 m	PE	White
19S00054-6M	VG-P14HD-6M	6 m	-	60 m	PE	White



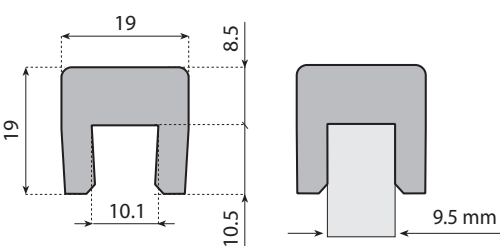
Code	Ref.				Material	
19S00071-6M	VG-P516BC-6M	6 m	-	60 m	PE	White
19S00071-30M	VG-P516BC-30M	-	30 m	30 m	PE	White
19S00071-NS-30M	VG-P516BC-NS-30M	-	30 m	30 m	Nolu-SR	Light Grey



Code	Ref.				Material	
19S00081-75M	VG-PM10BC-75M	-	75 m	75 m	PE	White



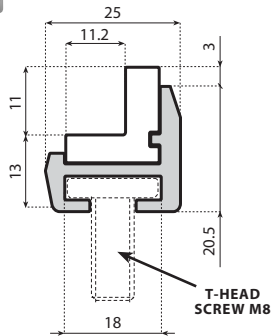
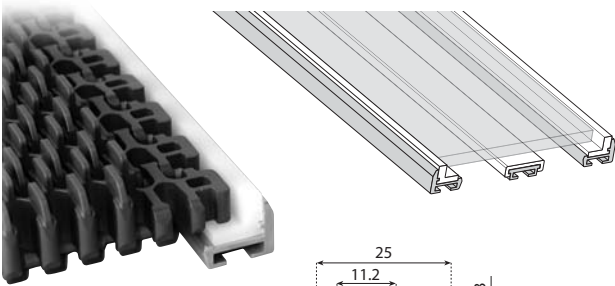
Code	Ref.				Material	
19S00068-30M	VG-P38BC-30M	-	30 m	30 m	PE	White
19S00068-75M	VG-P38BC-75M	-	75 m	75 m	PE	White
19S00068NS-75M	VG-P38BC-NS-75M	-	75 m	75 m	Nolu-S	Light Grey



Code	Ref.				Material	
19S00069-3M	VG-P38HD-3M	3 m	-	30 m	PE	White
19S00069-6M	VG-P38HD-6M	6 m	-	60 m	PE	White

SBG/BWS -Support for chain and belts

 Preferred type, readily available (codes marked in red)



SBG/BWS - SUPPORT FOR CHAIN AND BELTS

Aluminum and UHMW guide rail for use in guiding the sides and supporting the middle of modular conveyor belts. Ultra-low friction bottom and side support of belt. Easily formed into curves with the Valu Guide Rail Bending Machine. Available in 3M lengths. Minimum radius 457 mm (inside edge). Replaceable UHMW strips.



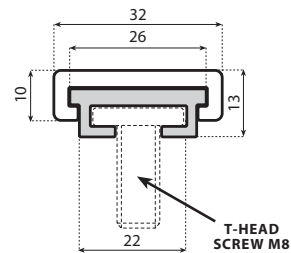
Polyethylene UHMW



Aluminum



[Consult pages 123 → 127 for bending machines](#)



SBG

Code

Ref.



19S00087-3M VG-SBG-50-3M 3 m 30 m PE White

Insert Replacement

19S00080-3M VG-PSBG-50-3M 3 m 30 m PE White

BWS

Code

Ref.



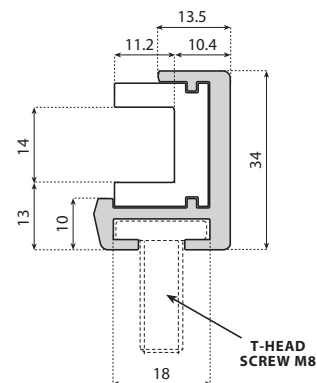
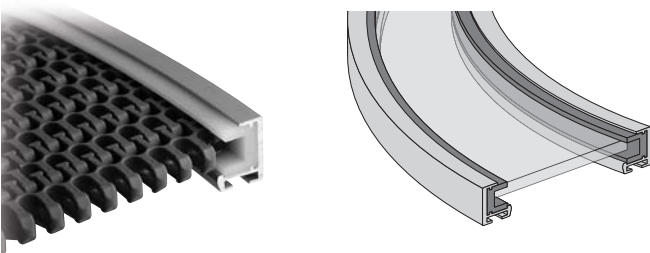
19S00108-3M VG-BWS-125-3M 3 m 30 m PE White

Insert Replacement

19S00083-3M VG-PBWS-125-3M 3 m 30 m PE White

MBG - SUPPORT FOR CHAIN AND BELTS

Aluminum and Nolu-S guide rail for use in guiding the sides of selected plastic modular conveyor belts through turns. Ultra-low friction. Top and bottom capture of belt. Easily formed into curves with the Valu Guide Rail Bending Machine. Available in 3M lengths. Minimum radius 457 mm (inside edge). Replaceable Nolu-S strips.



Stainless steel



Nolu-S



Aluminum



[Consult pages 123 → 127 for bending machines](#)

MBG

Code

Ref.



19S00035-3M VG-MBG-50-NS-3M 3 m 30 m Nolu-S Light grey

Insert Replacement

19S00077-3M VG-PMBG-50-NS-3M 3 m 30 m Nolu-S Light grey

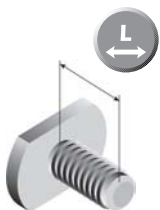
T-HEAD SCREW M8

Code

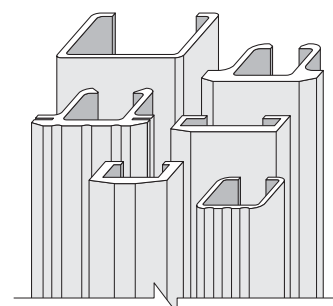
Ref.



13S00255	VG-1568M-01	16 mm	n°10	
13S00256	VG-1568M-02	19 mm	n°10	SS
13S00258	VG-1568M-04	32 mm	n°10	



M8



MBG - Support for chain and belts



AISI 304
Stainless steel



Polyethylene

Preferred type, readily available (codes marked in red)



CHAIN GUIDE WEAR STRIP

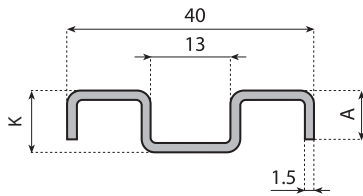
Material:

- Metal profile in stainless steel AISI 304.
- Wear strip in UHMWPE.

Supply:

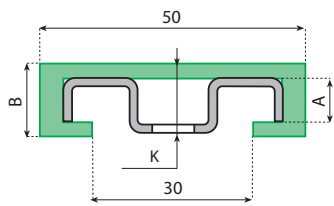
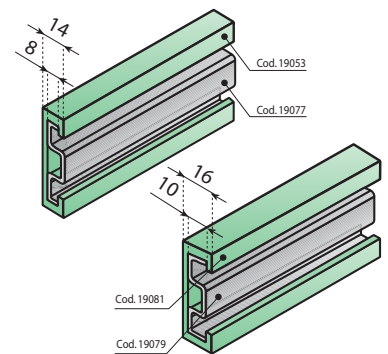
- 3 or 6 meters.
- Steel profile and wear strip are supplied assembled.

Application: the profile can be used on several conveyors as a side guide or as a chain support in combination with standard UHMWPE guides or wear strip.



M-PROFILE

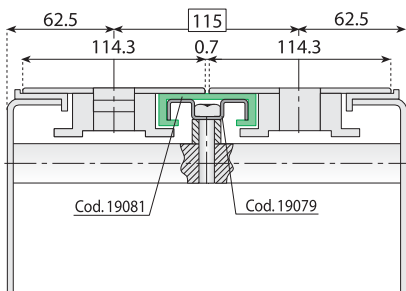
Code	A	Kg/m	K	L	Material	
19077	6	0.74	10	3 m	SS 304	30 m
19077L	6	0.74	10	6 m		
190265	8	0.78	8	3 m		
190265L	8	0.78	8	6 m		
19079	10	0.82	10	3 m		
19079L	10	0.82	10	6 m		



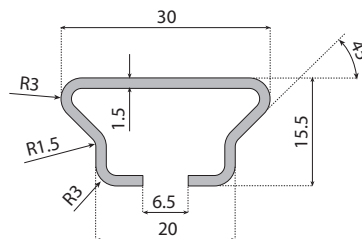
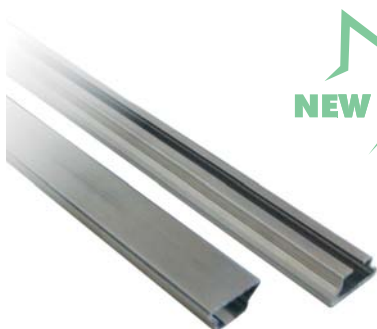
M-PROFILE WEAR STRIP

Code	Kg/m	K	L	A	B		Material	
190240N	0.97	12.75	3 m	6.5	12	30 m	PE	Black
190240NL	0.97	12.75	6 m	6.5	12			Black
190240V	0.97	12.75	3 m	6.5	12			Green
190240VL	0.97	12.75	6 m	6.5	12			Green
190241N	1.03	10.75	3 m	8.5	14			Black
190241NL	1.03	10.75	6 m	8.5	14			Black
190241V	1.03	10.75	3 m	8.5	14			Green
190241VL	1.03	10.75	6 m	8.5	14			Green
190242N	1.09	12.75	3 m	10.5	16			Black
190242NL	1.09	12.75	6 m	10.5	16			Black
190242V	1.09	12.75	3 m	10.5	16			Green
190242VL	1.09	12.75	6 m	10.5	16			Green

Notes: screws are not included.



CONSTRUCTION PROFILE FOR WEARSTRIPS



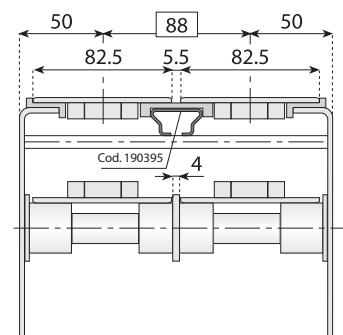
Code	Kg/m	L		Material
190395	0.76	3m	30m	SS 430
190396		6m		



Accessories



AISI 430
Stainless steel



Chain mounting block

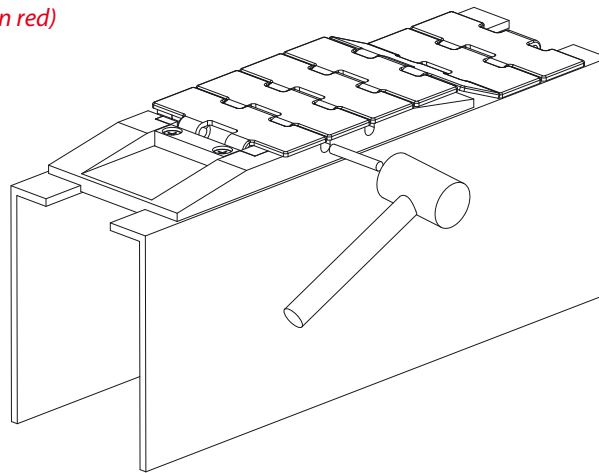
 Preferred type, readily available (codes marked in red)



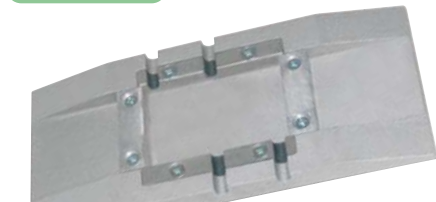
Aluminum



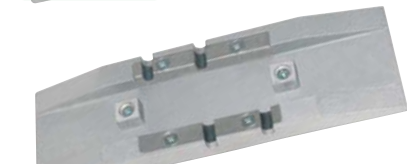
Hardened Steel



Code 19990



Code 19991



Code 19992

CHAIN MOUNTING BLOCK

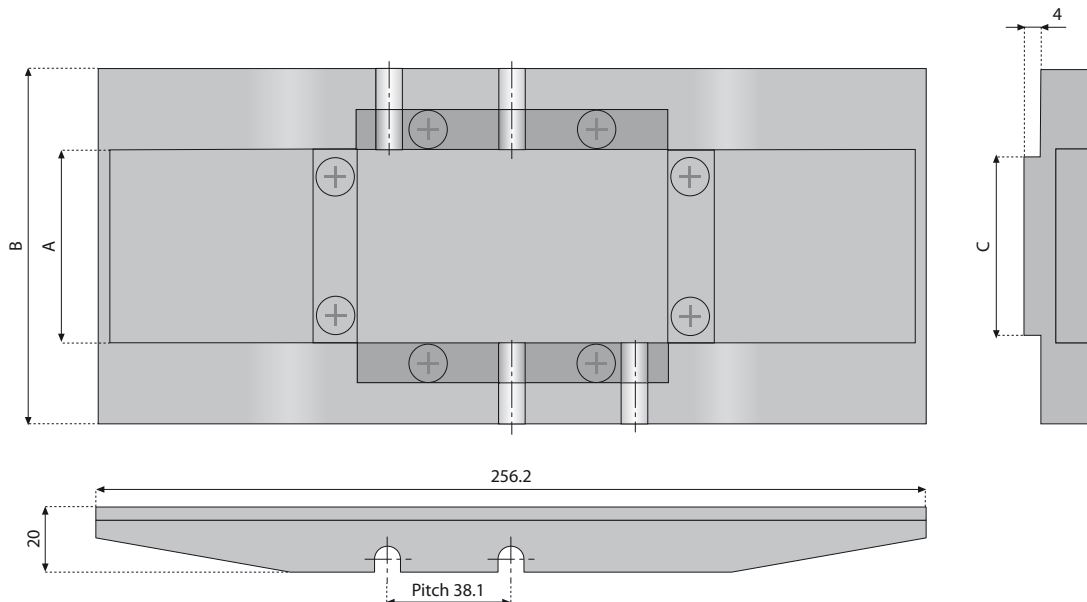
Technical features:

- The chain mounting block is a tool that makes chain assembly and disassembly easier. It is made for steel and plastic chains with single hinge and with heavy duty hinge. The block fits between the wearstrips of the conveyor.

Material:

Base: Aluminum

Adapter parts: hardened steel



Code	A	B	C	FOR CHAIN TYPE
19990	45	80	40	Steel single hinge chains, straight running and side flexing magnetic and plastic chains straight running, 820 series.
19991	60	110	55	Steel chains with Heavy Duty hinge, 8157 (VG) and 8857M.
19992	45	80	40	Plastic chains straight running 828 series and sideflexing 879 and 880 series magnetic.

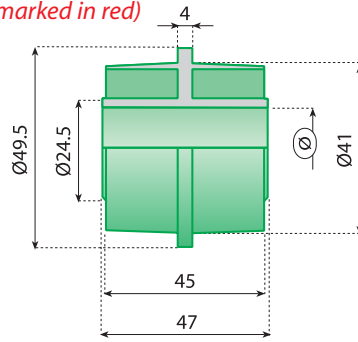
Note: not suitable for TAB or bevel chains



Chain return components

Chain return components

 Preferred type, readily available (codes marked in red)



External diameter

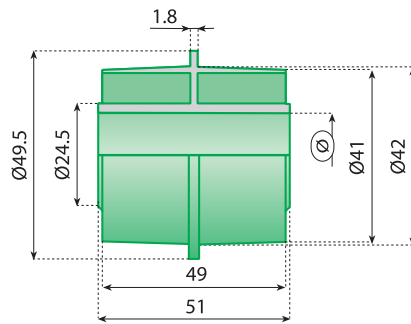
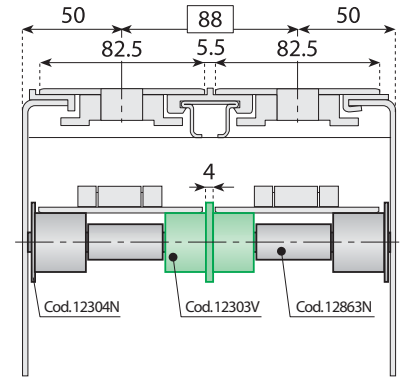


Polyethylene High Density Self-lubricating

ROLLER

Code

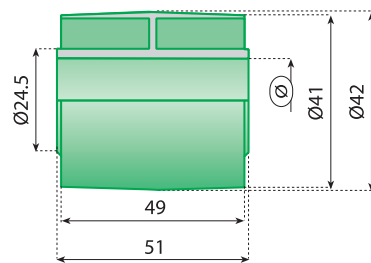
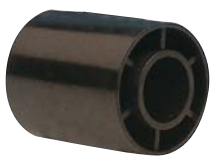
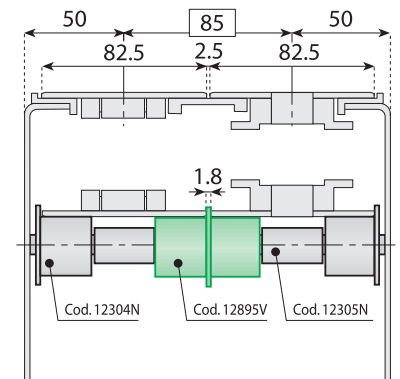
Code	For rod Ø (mm)		Material	
12303V	12		Green	
12303N	12		Black	
12307V	16		Green	
12307N	16	n°100	Black	PE(HD)
12815V	18		Green	
12815N	18		Black	
12820V	20		Green	
12820N	20		Black	



ROLLER

Code

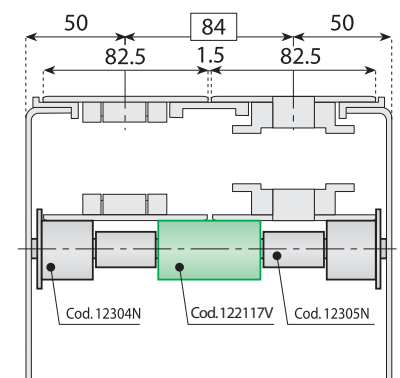
Code	For rod Ø (mm)		Material	
12895V	12		Green	
12895N	12		Black	
12896V	16		Green	
12896N	16	n°100	Black	PE(HD)
12897V	18		Green	
12897N	18		Black	
12862V	20		Green	
12862N	20		Black	



ROLLER

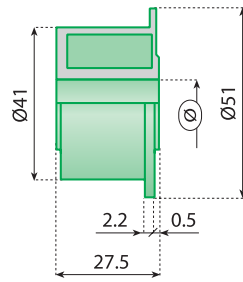
Code

Code	For rod Ø (mm)		Material	
122117V	12		Green	
122117N	12		Black	
122118V	16		Green	
122118N	16	n°100	Black	PE(HD)
122119V	18		Green	
122119N	18		Black	
122120V	20		Green	
122120N	20		Black	



Chain return components

Preferred type, readily available (codes marked in red)



ROLLER

Code	For rod Ø (mm)		Material	
12304V	12	n°100	PE(HD)	Green
12304N	12			Black
12827V	16			Green
12827N	16			Black
12821V	18			Green
12821N	18			Black
12822V	20			Green
12822N	20			Black



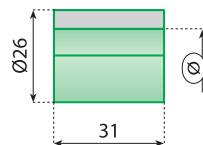
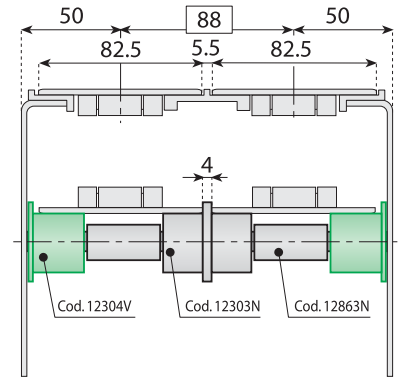
External diameter



Polyethylene High Density Self-lubricating

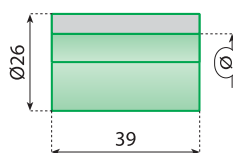
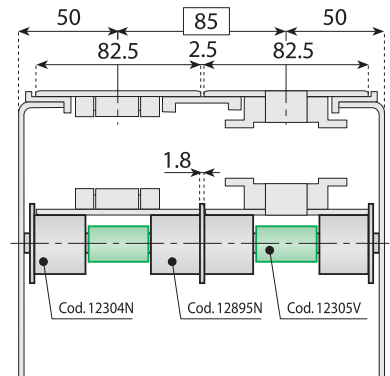


Polyamide Self-lubricating



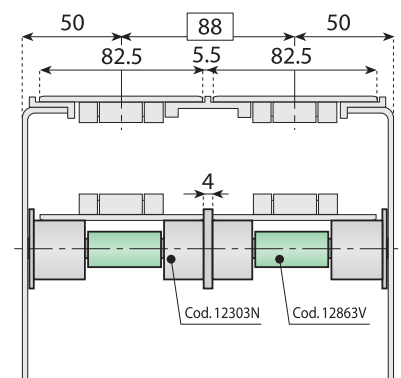
SPACER

Code	For rod Ø (mm)		Material	
12305V	12	n°100	PA	Green
12305N	12			Black
12828V	16			Green
12828N	16			Black
12823V	18			Green
12823N	18			Black
12824V	20			Green
12824N	20			Black



SPACER

Code	For rod Ø (mm)		Material	
12863V	12	n°100	PA	Green
12863N	12			Black
12864V	16			Green
12864N	16			Black
12860V	18			Green
12860N	18			Black
12861V	20			Green
12861N	20			Black



Chain return components

 Preferred type, readily available (codes marked in red)



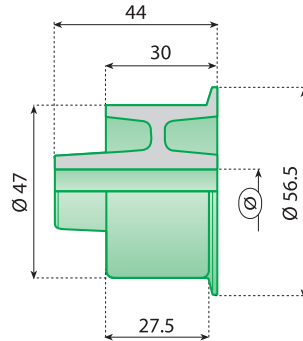
External diameter



External diameter



Polyethylene
High Density
Self-lubricating



ROLLER

Code
12850



12



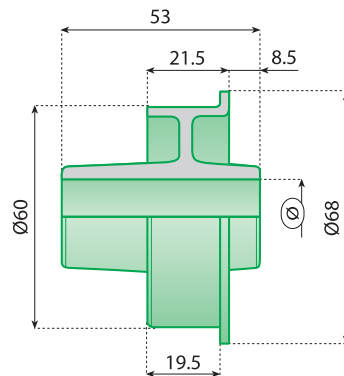
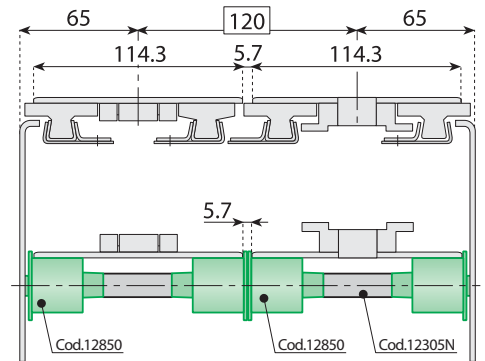
n°100



PE(HD)



Green



ROLLER

Code

122110
122109
122108
12855



15
16
18
20



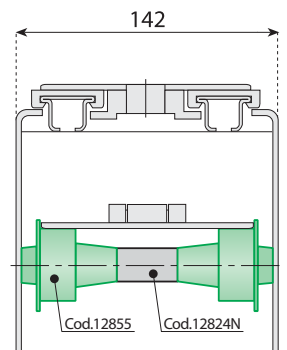
n°100



PE(HD)



Green



Chain return components

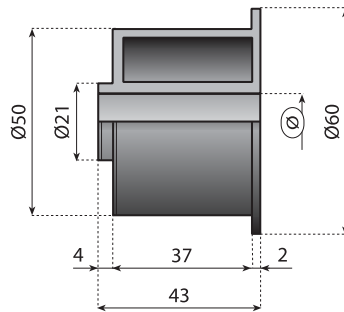
Preferred type, readily available (codes marked in red)

Ø 50

External diameter

PE HD

Polyethylene High Density Self-lubricating



ROLLER

Code
12898

For rod Ø (mm)

15

n°100

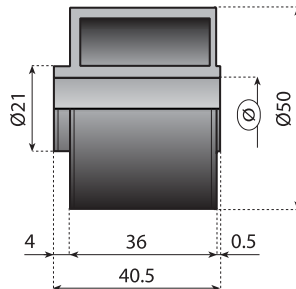
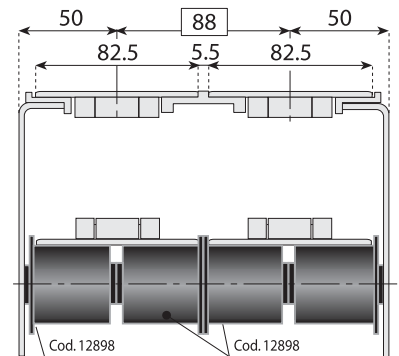
n°100

Material

PE(HD)

Color

Black



ROLLER

Code
12899

For rod Ø (mm)

15

n°100

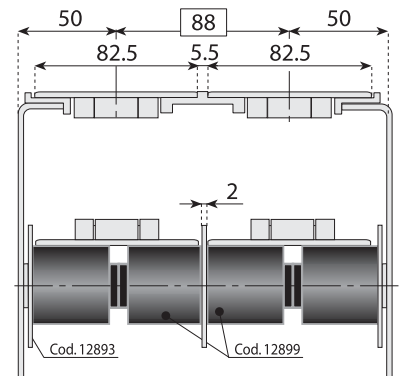
n°100

Material

PE(HD)

Color

Black



Chain return components

 Preferred type, readily available (codes marked in red)

WATERTIGHT ROLLER

Characteristics:

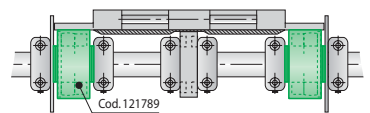
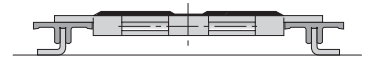
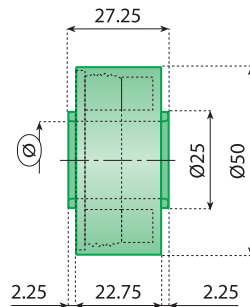
- Very low friction coefficient.
- No liquid absorption.
- Excellent wear and chemical resistance.
- Completely closed structure, easier to clean and disinfect.
- Watertight.



Polyethylene High Density
Self-lubricating

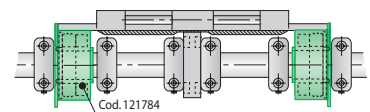
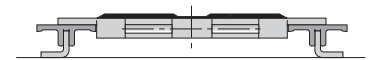
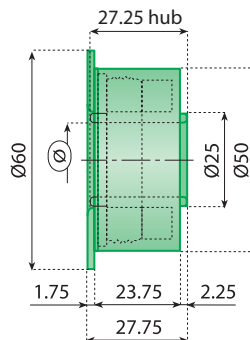


External diameter



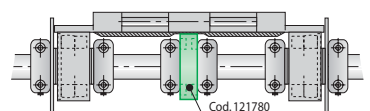
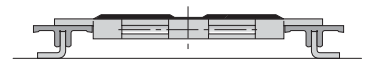
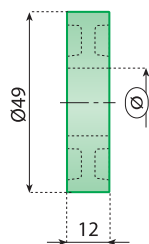
WATERTIGHT ROLLER

Code	For rod Ø (mm)		Material	
121959	15			
121960	16			
121789	18	n°100	PE(HD)	Green
121787	20			



WATERTIGHT ROLLER WITH SIDE BORDER

Code	For rod Ø (mm)		Material	
121959F	15			
121960F	16			
121784	18	n°100	PE(HD)	Green
121785	20			



ROLLER

Code	For rod Ø (mm)		Material	
121780	15			
121781	16			
121782	18	n°100	PE(HD)	Green
121783	20			

Chain return components

Preferred type, readily available (codes marked in red)

WATERTIGHT ROLLER WITH RUBBER

Characteristics:

- Reduced noise level with rubber
- Very low friction coefficient.
- No liquid absorption.
- Excellent wear and chemical resistance.
- Completely closed structure, easier to clean and disinfect.
- Watertight.



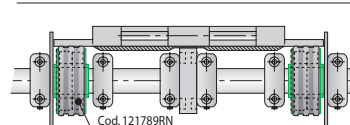
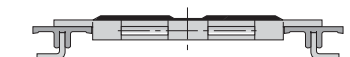
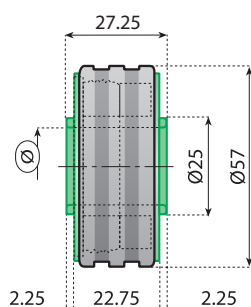
Polyethylene High Density
Self-lubricating



Thermoplastic rubber

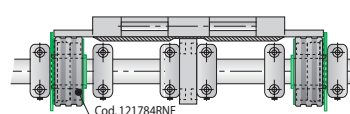
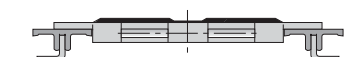
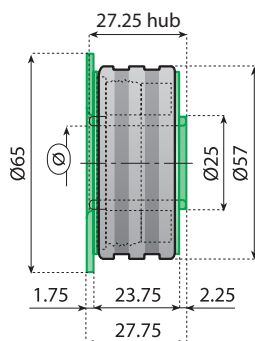


External diameter



WATERTIGHT ROLLER WITH RUBBER

Code	For rod Ø (mm)	n°	Material	Color
121959RN	15	n°100	PE(HD)	Green Roller
121960RN	16			
121789RN	18		TPR	Grey Rubber
121787RN	20			



WATERTIGHT ROLLER WITH SIDE BORDER AND RUBBER

Code	For rod Ø (mm)	n°	Material	Color
121959RNF	15	n°100	PE(HD)	Green Roller
121960RNF	16			
121784RNF	18		TPR	Grey Rubber
121785RNF	20			

Chain return components

 Preferred type, readily available (codes marked in red)



Polyethylene High Density
Self-lubricating

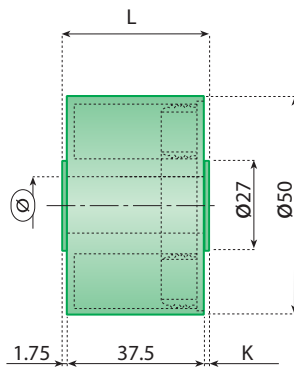


External diameter

WATERTIGHT ROLLER

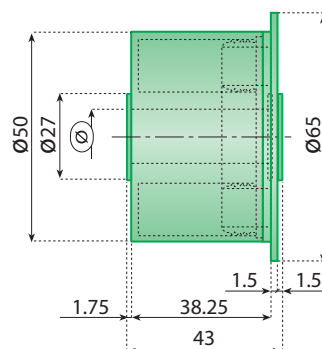
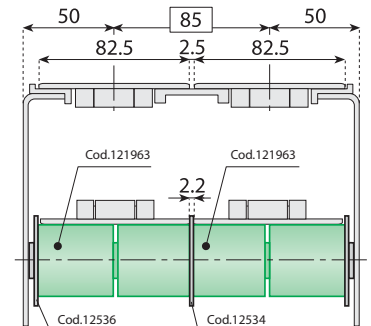
Characteristics:

- Very low friction coefficient.
- No liquid absorption.
- Excellent wear and chemical resistance.
- Completely closed structure, easier to clean and disinfect.
- Watertight.



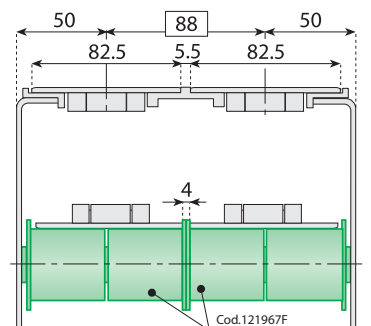
WATERTIGHT ROLLER

Code	For rod Ø (mm)	L	K		Material	
121963	15	41	1.75	n°100	PE(HD)	Green
121967	15	43	3.75			
121964	16	41	1.75			
121968	16	43	3.75			
121965	18	41	1.75			
121969	18	43	3.75			
121966	20	41	1.75			
121970	20	43	3.75			



WATERTIGHT ROLLER WITH SIDE BORDER

Code	For rod Ø (mm)		Material	
121967F	15	n°100	PE(HD)	Green
121968F	16			
121969F	18			
121970F	20			



Chain return components

Preferred type, readily available (codes marked in red)

WATERTIGHT ROLLER WITH RUBBER

Characteristics:

- Reduced noise level with rubber
- Very low friction coefficient.
- No liquid absorption.
- Excellent wear and chemical resistance.
- Completely closed structure, easier to clean and disinfect.
- Watertight.



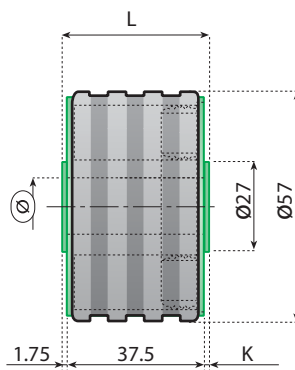
Polyethylene High Density
Self-lubricating



Thermoplastic rubber

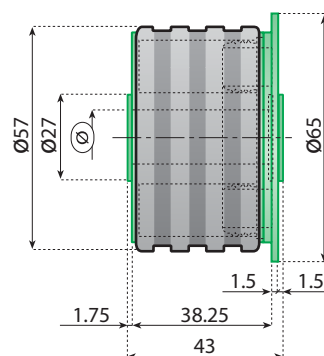
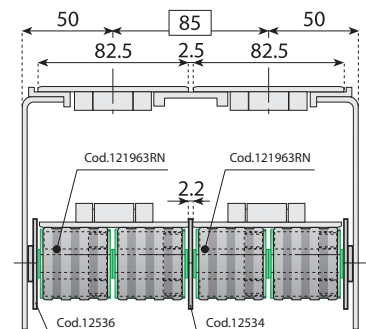


External diameter



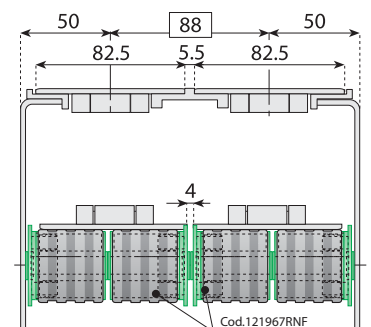
WATERTIGHT ROLLER WITH RUBBER

Code	For rod Ø (mm)	L	K _i		Material	
121963RN	15	41	1.75	n°100	PE(HD) TPR	Green Roller Grey Rubber
121967RN	15	43	3.75			
121964RN	16	41	1.75			
121968RN	16	43	3.75			
121965RN	18	41	1.75			
121969RN	18	43	3.75			
121966RN	20	41	1.75			
121970RN	20	43	3.75			



WATERTIGHT ROLLER WITH SIDE BORDER AND RUBBER

Code	For rod Ø (mm)		Material	
121967RNF	15	n°100	PE(HD) TPR	Green Roller Grey Rubber
121968RNF	16			
121969RNF	18			
121970RNF	20			



Chain return components

 Preferred type, readily available (codes marked in red)

WATERTIGHT ROLLER

Characteristics:

- Very low friction coefficient.
- No liquid absorption.
- Excellent wear and chemical resistance.
- Completely closed structure, easier to clean and disinfect.
- Watertight.



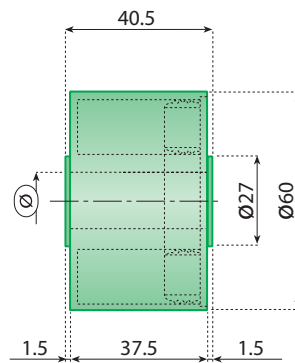
Polyethylene High Density
Self-lubricating



Thermoplastic rubber



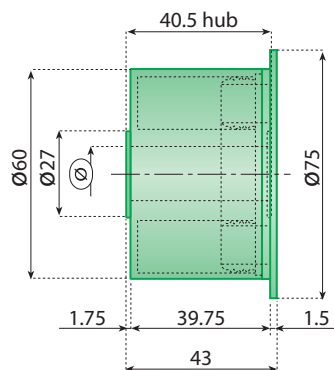
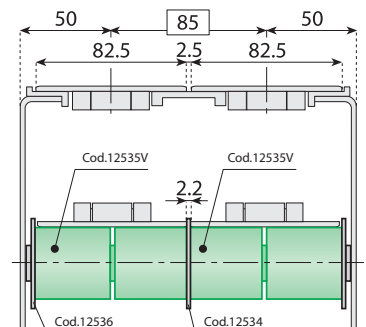
External diameter



WATERTIGHT ROLLER

Code

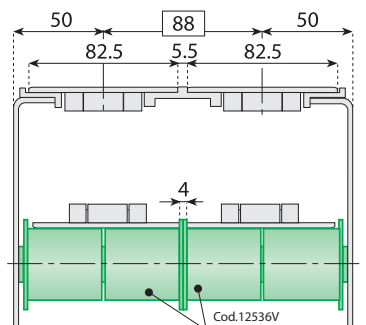
Code	For rod Ø (mm)	n°100	Material	
122113N	15		Black	
122113V	15		Green	
122112N	16		Black	
122112V	16		Green	
122111N	18	n°100	Black	PE(HD)
122111V	18		Green	
12535N	20		Black	
12535V	20		Green	



WATERTIGHT ROLLER WITH SIDE BORDER

Code

Code	For rod Ø (mm)	n°100	Material	
122116N	15		Black	
122116V	15		Green	
122115N	16		Black	
122115V	16		Green	
122114N	18	n°100	Black	PE(HD)
122114V	18		Green	
12536N	20		Black	
12536V	20		Green	



Chain return components

Preferred type, readily available (codes marked in red)

WATERTIGHT ROLLER WITH RUBBER

Characteristics:

- Reduced noise level with rubber
- Very low friction coefficient.
- No liquid absorption.
- Excellent wear and chemical resistance.
- Completely closed structure, easier to clean and disinfect.
- Watertight.



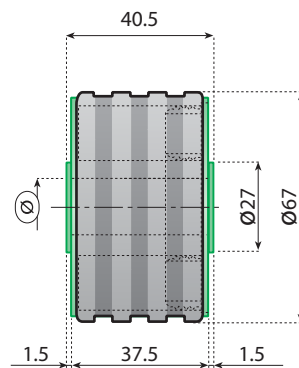
Polyethylene High Density
Self-lubricating



Thermoplastic rubber

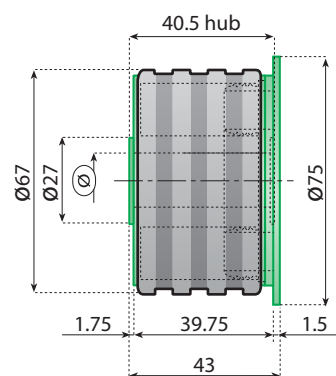
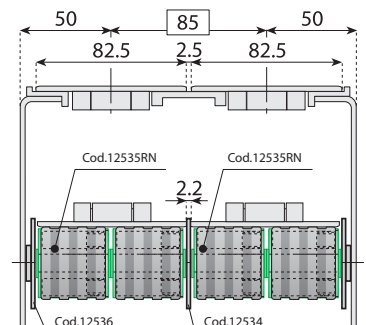


External diameter



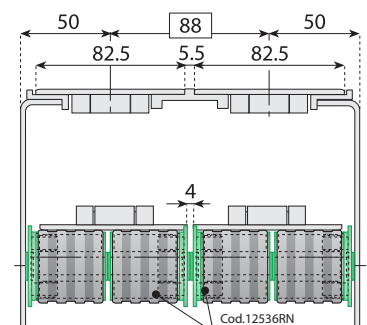
WATERTIGHT ROLLER WITH RUBBER

Code	For rod Ø (mm)		Material	
122113RN	15		PE(HD)	Green Roller
122112RN	16	n°100	TPR	Grey Rubber
122111RN	18			
12535RN	20			



WATERTIGHT ROLLER WITH SIDE BORDER AND RUBBER

Code	For rod Ø (mm)		Material	
122116RN	15		PE(HD)	Green Roller
122115RN	16	n°100	TPR	Grey Rubber
122114RN	18			
12536RN	20			



Chain return components

 Preferred type, readily available (codes marked in red)

WATERTIGHT ROLLER

Characteristics:

- Very low friction coefficient
- No liquid absorption
- Excellent wear and chemical resistance
- Completely closed structure, easier to clean and disinfect
- Watertight



Polyethylene
High Density
Self-lubricating



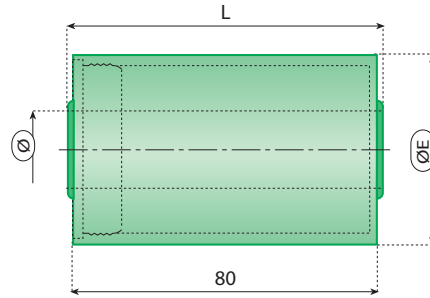
External diameter



External diameter

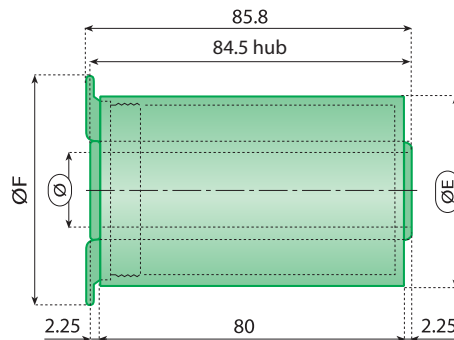
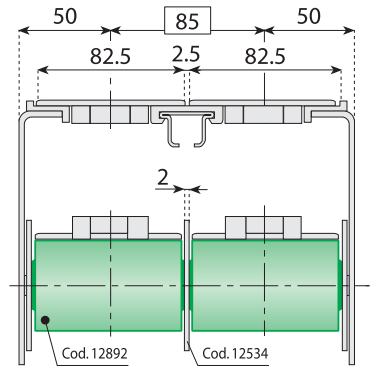


External diameter



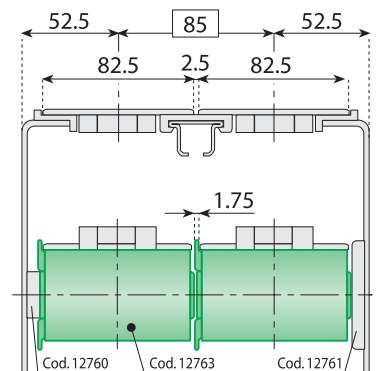
WATERTIGHT ROLLER

Code	For rod Ø (mm)	L	ØE		Material	
121950	16	82.5	40	n°50	PE(HD)	Green
121953		84.5	40			
121951		82.5	50			
121954		84.5	50			
121952		82.5	60			
121955		84.5	60			
121551	18	82.5	40	n°50	PE(HD)	Green
121547		84.5	40			
12831		82.5	50			
121595		84.5	50			
12835		82.5	60			
121548		84.5	60			
121552	20	82.5	40	n°50	PE(HD)	Green
121549		84.5	40			
12892		82.5	50			
12762		84.5	50			
12836		82.5	60			
121550		84.5	60			



WATERTIGHT ROLLER WITH SIDE BORDER

Code	For rod Ø (mm)	ØE	ØF		Material	
121956	16	40	55	n°50	PE(HD)	Green
121957		50	65			
121958		60	75			
121553	18	40	55	n°50	PE(HD)	Green
12833		50	65			
12837		60	75			
121554	20	40	55	n°50	PE(HD)	Green
12763		50	65			
12838		60	75			



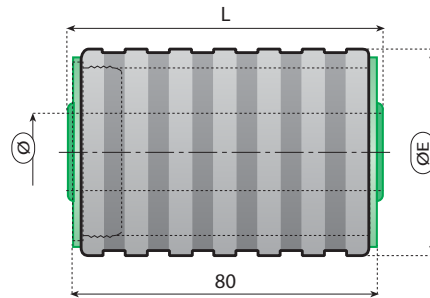
Chain return components

Preferred type, readily available (codes marked in red)

WATERTIGHT ROLLER WITH RUBBER

Characteristics:

- Reduced noise level
- Very low friction coefficient
- No liquid absorption
- Excellent wear and chemical resistance
- Completely closed structure, easier to clean and disinfect
- Watertight



Thermoplastic rubber



External diameter



Polyethylene High Density Self-lubricating



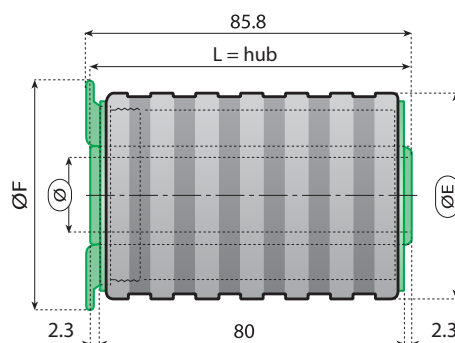
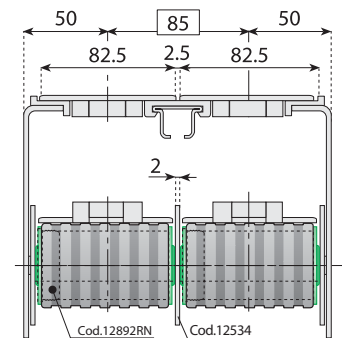
External diameter



External diameter

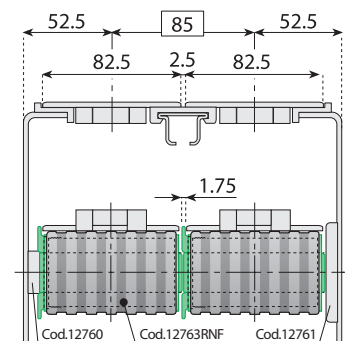
WATERTIGHT ROLLER WITH RUBBER

Code	For rod Ø (mm)	L	ØE		Material	
121950RN		82.5	47			
121953RN		84.5	47			
121951RN	16	82.5	57	n°50	PE(HD)	Green Roller
121954RN		84.5	57		TPR	Grey Rubber
121952RN		82.5	67			
121955RN		84.5	67			
121551RN		82.5	47			
121547RN		84.5	47			
12831RN	18	82.5	57	n°50	PE(HD)	Green Roller
121595RN		84.5	57		TPR	Grey Rubber
12835RN		82.5	67			
121548RN		84.5	67			
121552RN		82.5	47			
121549RN		84.5	47			
12892RN	20	82.5	57	n°50	PE(HD)	Green Roller
12762RN		84.5	57		TPR	Grey Rubber
12836RN		82.5	67			
121550RN		84.5	67			



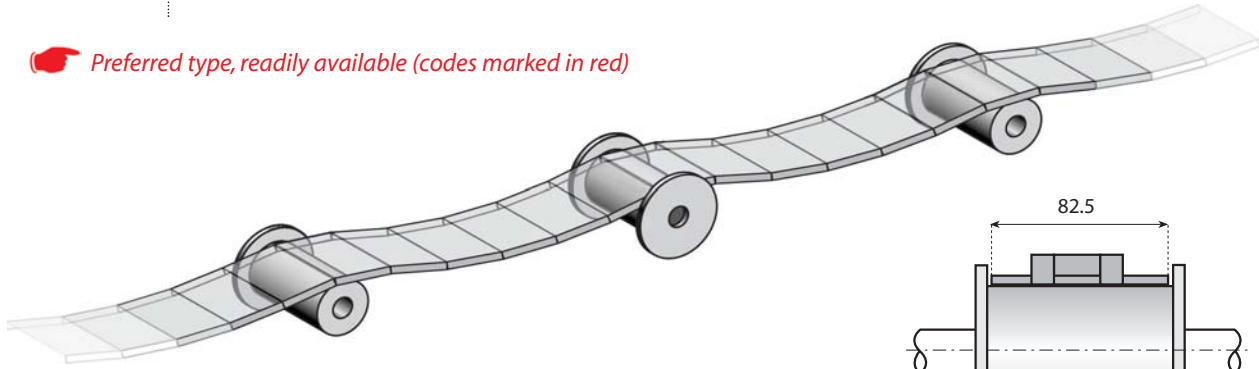
WATERTIGHT ROLLER WITH SIDE BORDER AND RUBBER

Code	For rod Ø (mm)	ØE	ØF		Material	
121956RNF		47	55			
121957RNF	16	57	65	n°50	PE(HD)	Green Roller
121958RNF		67	75		TPR	Grey Rubber
121553RNF		47	55			
12833RNF	18	57	65	n°50	PE(HD)	Green Roller
12837RNF		67	75		TPR	Grey Rubber
121554RNF		47	55			
12763RNF	20	57	65	n°50	PE(HD)	Green Roller
12838RNF		67	75		TPR	Grey Rubber



Chain return components

 Preferred type, readily available (codes marked in red)



Polyethylene UHMW



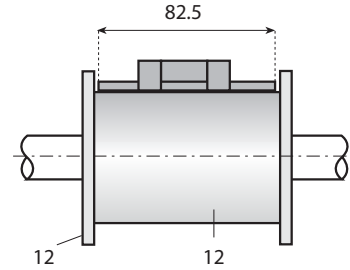
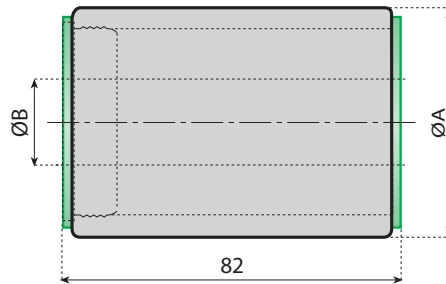
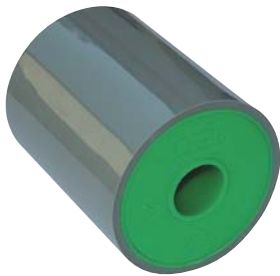
Polyurethane





External diameter

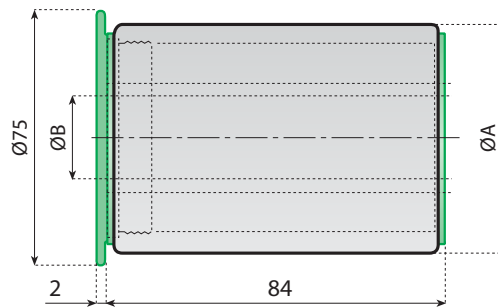


External diameter





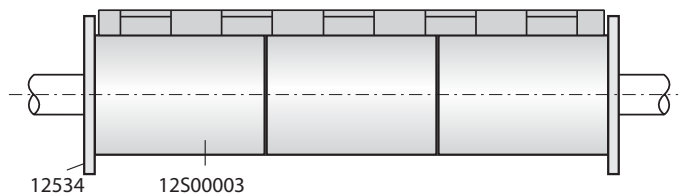
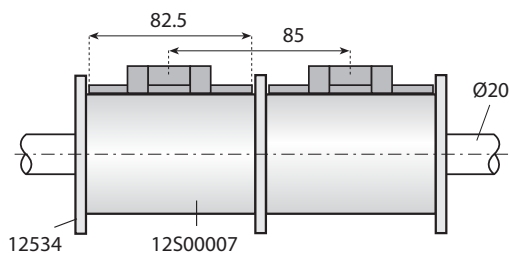
RETURN ROLLER WITH URETHANE SURFACE

Code	Ref.	ØA	ØB		Material	
12S00001	VG-R3U-185-50-G	56	18.5	n°10	PE	Green
12S00003	VG-R3U-205-50-G	56	20.5			
12S00002	VG-R3U-185-60-G	66	18.5			
12S00004	VG-R3U-205-60-G	66	20.5			



RETURN ROLLER WITH FLANGE AND URETHANE SURFACE

Code	Ref.	ØA	ØB		Material	
12S00005	VG-RF3U-185-50-G	56	18.5	n°10	PE	Green
12S00007	VG-RF3U-205-50-G	56	20.5			
12S00006	VG-RF3U-185-60-G	66	18.5			
12S00008	VG-RF3U-205-60-G	66	20.5			



Chain return components

Preferred type, readily available (codes marked in red)

LOW NOISE ROLLER

Characteristics:

- Reduced noise level.
- Very low friction coefficient.
- No liquid absorption.
- Excellent wear and chemical resistance.
- Completely closed structure, easier to clean and disinfect.
- Watertight.



External diameter

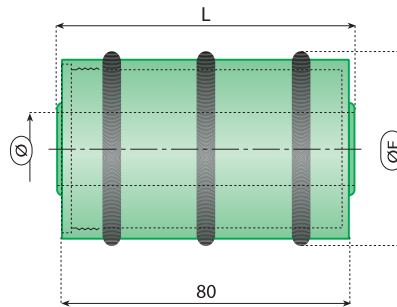


External diameter

Polyethylene High Density Self-lubricating

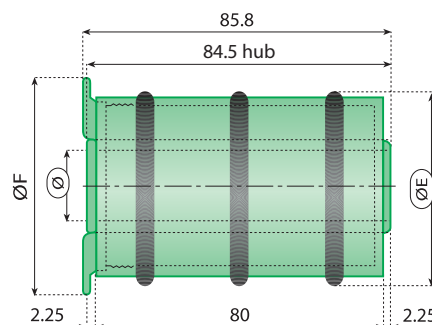
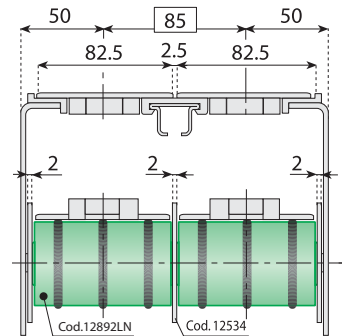


External diameter



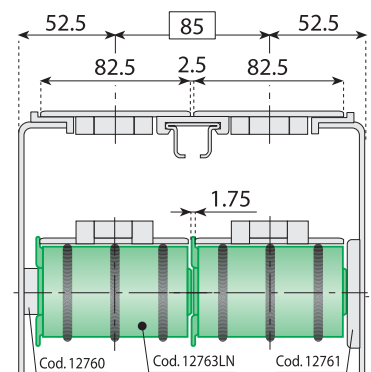
LOW NOISE ROLLER

Code	For rod Ø (mm)	L	ØE		Material	
121950LN		82.5	44			
121953LN		84.5	44			
121951LN	16	82.5	54	n°50	PE(HD) EPDM	Green Roller Black O-Ring
121954LN		84.5	54			
121952LN		82.5	64			
121955LN		84.5	64			
121551LN		82.5	44			
121547LN		84.5	44			
12831LN	18	82.5	54	n°50	PE(HD) EPDM	Green Roller Black O-Ring
121595LN		84.5	54			
12835LN		82.5	64			
121548LN		84.5	64			
121552LN		82.5	44			
121549LN		84.5	44			
12892LN	20	82.5	54	n°50	PE(HD) EPDM	Green Roller Black O-Ring
12762LN		84.5	54			
12836LN		82.5	64			
121550LN		84.5	64			



LOW NOISE ROLLER WITH SIDE BORDER

Code	For rod Ø (mm)	ØE	ØF		Material	
121956LN		44	55			
121957LN	16	54	65	n°50	PE(HD) EPDM	Green Roller Black O-Ring
121958LN		64	75			
121553LN		44	55			
12833LN	18	54	65	n°50	PE(HD) EPDM	Green Roller Black O-Ring
12837LN		64	75			
121554LN		44	55			
12763LN	20	54	65	n°50	PE(HD) EPDM	Green Roller Black O-Ring
12838LN		64	75			



Chain return components

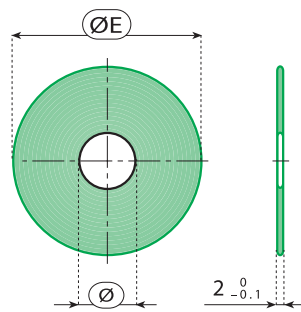
 Preferred type, readily available (codes marked in red)



GUIDE FLANGE

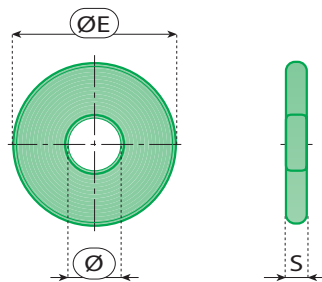
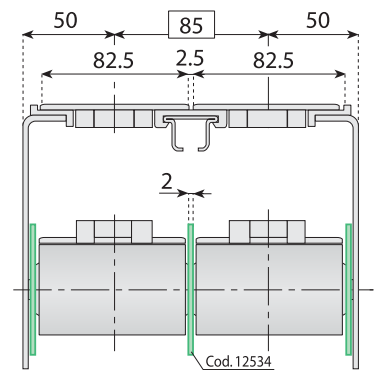
Characteristics:

- Very low friction coefficient.
- No liquid absorption.
- Excellent wear and chemical resistance.



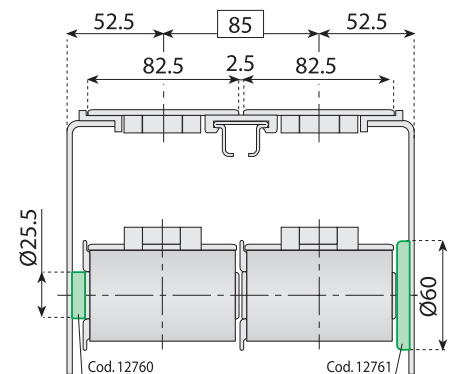
GUIDE FLANGE

Code	For rod Ø (mm)	ØE		Material	
12919	14	50	n°100	PP	Green
12847		60			
12843		70			
12918	16	50	n°100	PP	Green
12846		60			
12842		70			
12849	18	50	n°100	PP	Green
12845		60			
12841		70			
12826	20	100	n°100	PP	Green
12848		50			
12844		60			
12534	20	70	n°100	PP	Green
12894		100			



GUIDE FLANGE

Code	For rod Ø (mm)	ØE	S		Material	
12797	15	90	5	n°100	PP	Green
12798	20	90	5			
12760	20	25.5	7.25			
12761	20	60	7.25			

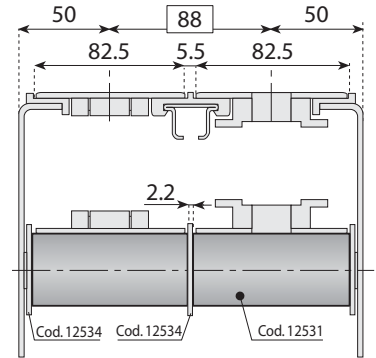
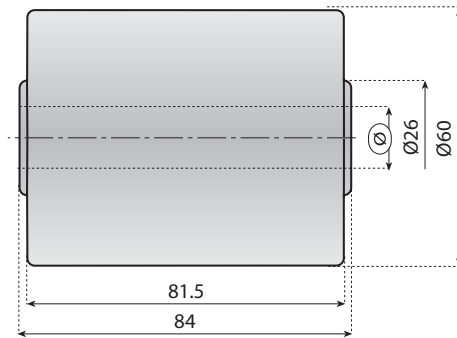


Chain return components

Preferred type, readily available (codes marked in red)

PA
Polyamide
self-lubricating

Ø 60
External
diameter

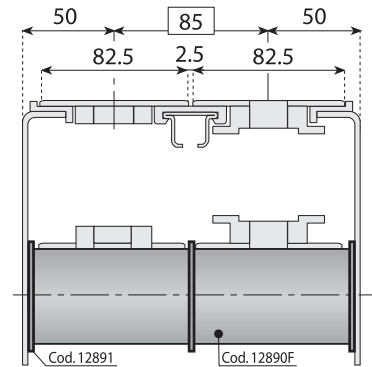
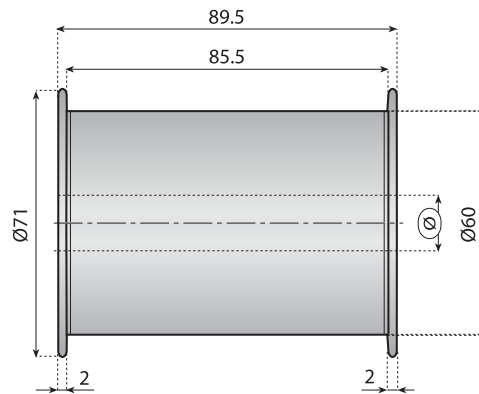


ROLLER

Code



Code	For rod Ø (mm)	Material	Color
12531	14		
12532	18	n°50	PA
12533	20		Black

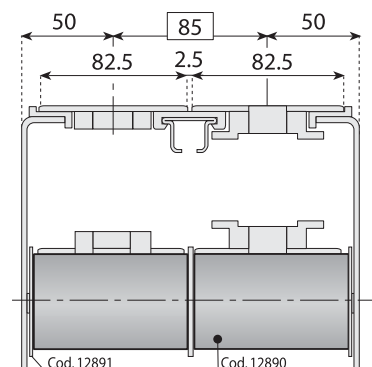
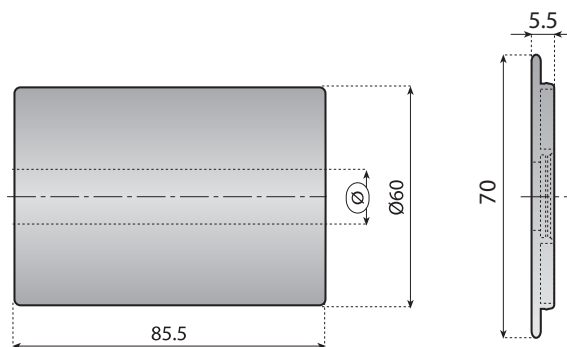


ROLLER

Code



Code	For rod Ø (mm)	Material	Color
12839F	12		
12890F	14	n°50	PA
12840F	16		Black



ROLLER

Code



Code	For rod Ø (mm)	Material	Color
12839	12	n°50	
12890	14	n°50	PA
12840	16	n°50	Black
12891	Flange for roller	n°100	

Chain return components solid roller

 Preferred type, readily available (codes marked in red)



Polypropylene



External diameter



External diameter

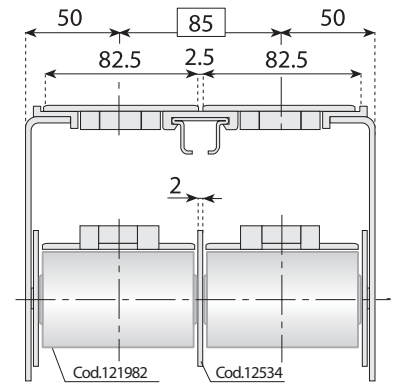
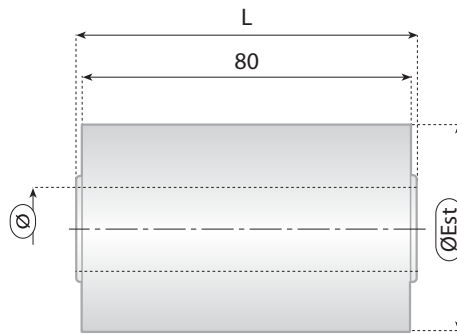


External diameter

WATERTIGHT ROLLER

Characteristics:

- Very low friction coefficient.
- No liquid absorption.
- Excellent wear and chemical resistance.
- Completely closed structure.
- Watertight.



WATERTIGHT ROLLER

Code	For rod Ø (mm)	Ø Est	L		Material	
121971		40	82.5			
121972		40	84.5			
121973	15	50	82.5	n°50	PP	Black
121974		50	84.5			
121975		60	82.5			
121976		60	84.5			
121977		40	82.5			
121978		40	84.5			
121979	16	50	82.5	n°50	PP	Black
121980		50	84.5			
121981		60	82.5			
121982		60	84.5			
121983		40	82.5			
121984		40	84.5			
121985	18	50	82.5	n°50	PP	Black
121986		50	84.5			
121987		60	82.5			
121988		60	84.5			
121989		40	82.5			
121990		40	84.5			
121991	20	50	82.5	n°50	PP	Black
121992		50	84.5			
121993		60	82.5			
121994		60	84.5			

Chemical resistant roller

Chain return components solid roller with rubber

Preferred type, readily available (codes marked in red)

PP
Polypropylene
External diameter **47**

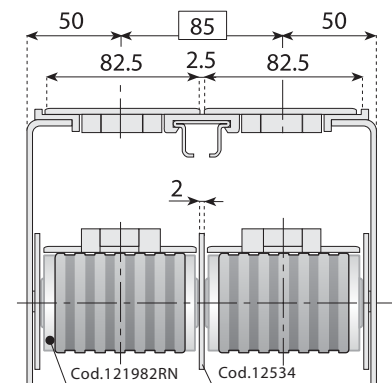
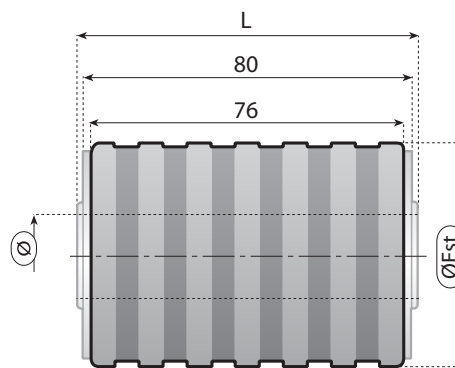
TPR
Thermoplastic rubber
External diameter **57**

External diameter **67**

WATERTIGHT ROLLER WITH RUBBER

Characteristics:

- Reduced noise level.
- Very low friction coefficient.
- No liquid absorption.
- Excellent wear and chemical resistance.
- Completely closed structure.
- Watertight.

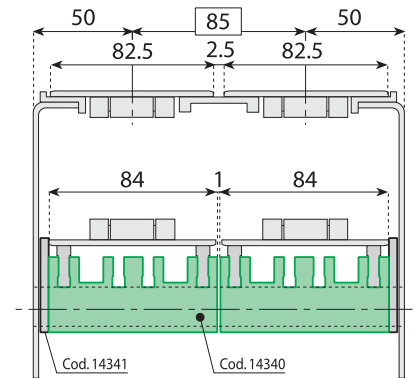
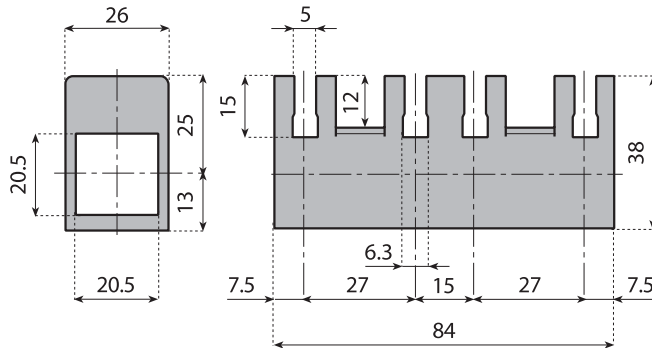
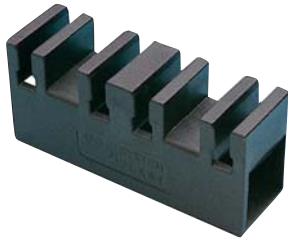


WATERTIGHT ROLLER WITH RUBBER




Code	For rod Ø (mm)	Ø Est	L		Material	
121971RN		47	82.5			
121972RN		47	84.5			
121973RN	15	57	82.5	n°50	PP	Black Roller
121974RN		57	84.5		TPR	Grey Rubber
121975RN		67	82.5			
121976RN		67	84.5			
121977RN		47	82.5			
121978RN		47	84.5			
121979RN	16	57	82.5	n°50	PP	Black Roller
121980RN		57	84.5		TPR	Grey Rubber
121981RN		67	82.5			
121982RN		67	84.5			
121983RN		47	82.5			
121984RN		47	84.5			
121985RN	18	57	82.5	n°50	PP	Black Roller
121986RN		57	84.5		TPR	Grey Rubber
121987RN		67	82.5			
121988RN		67	84.5			
121989RN		47	82.5			
121990RN		47	84.5			
121991RN	20	57	82.5	n°50	PP	Black Roller
121992RN		57	84.5		TPR	Grey Rubber
121993RN		67	82.5			
121994RN		67	84.5			

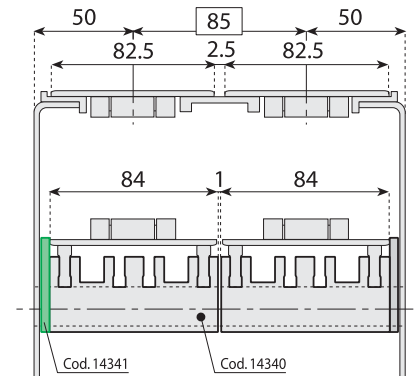
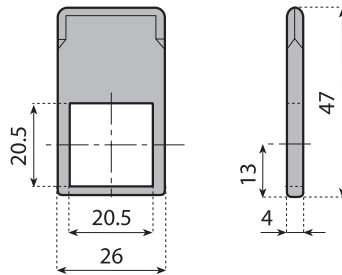
Chain return components

 Preferred type, readily available (codes marked in red)






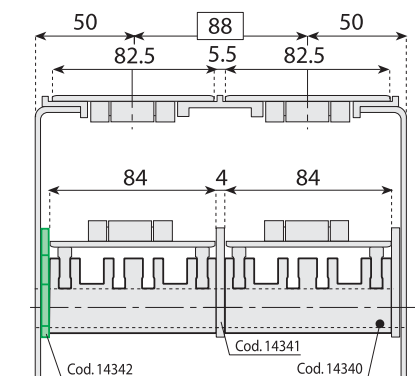
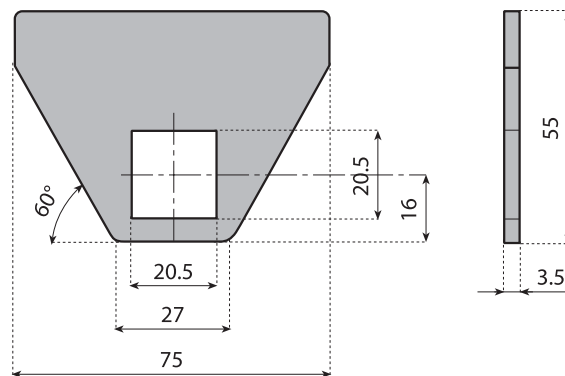
**SPACER
FOR SERPENTINE**

Code	For square shaft			
14340	20 x 20	n°100	PA	Black






LITTLE WASHER

Code	For square shaft			
14341	20 x 20	n°100	PA	Black



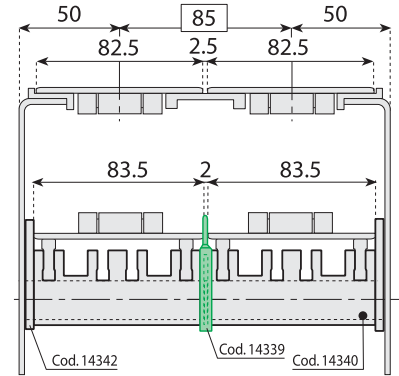
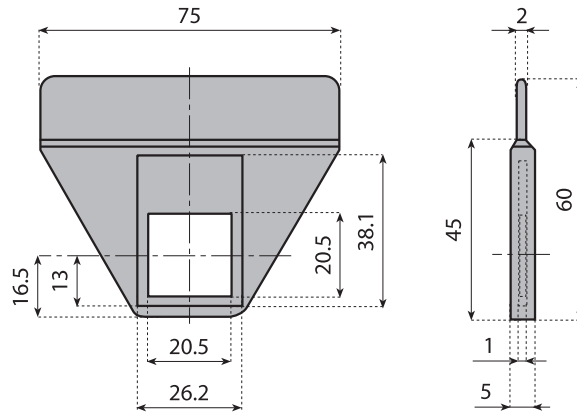
BIG WASHER

Code	For square shaft			
14342	20 x 20	n°100	PA	Black

Use: 88 mm pitch.

Chain return components

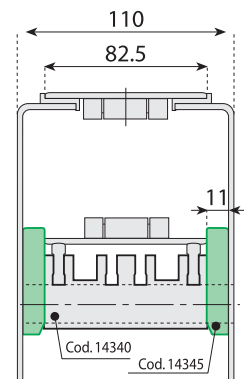
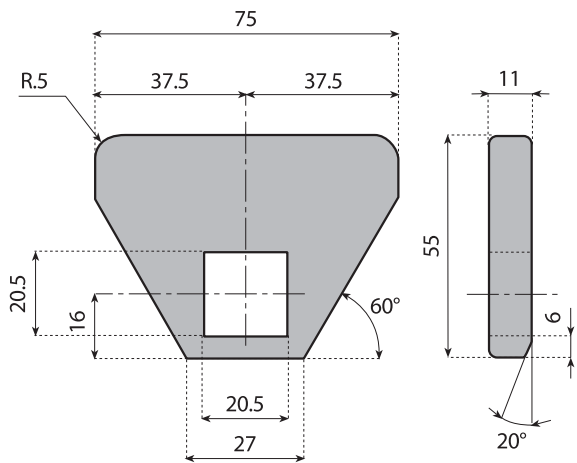
Preferred type, readily available (codes marked in red)



BIG WASHER

Code	For square shaft	n°100	PA	Black
14339	20 x 20			

Use: 85 mm pitch.

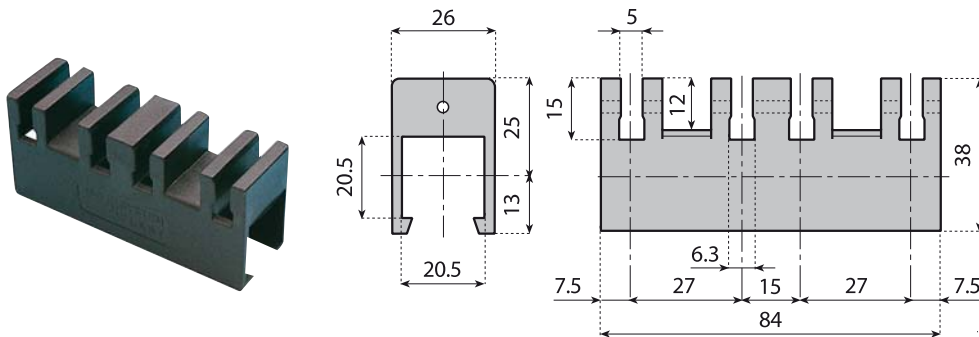


EXTRA WASHER



Code	For square shaft	n°100	PA	Black
14345	20 x 20			

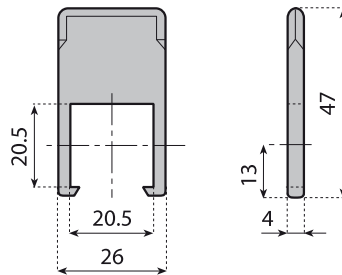
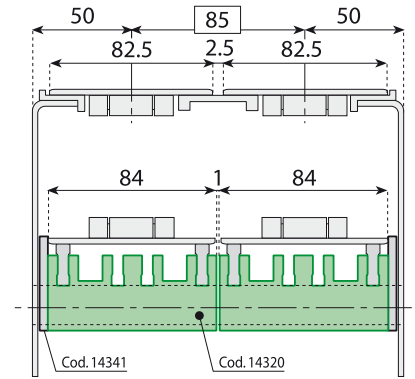
Chain return components

 Preferred type, readily available (codes marked in red)





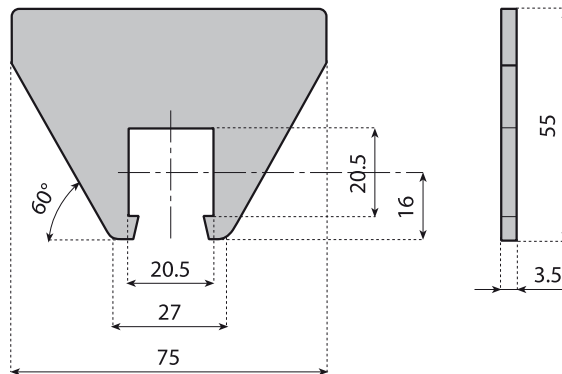
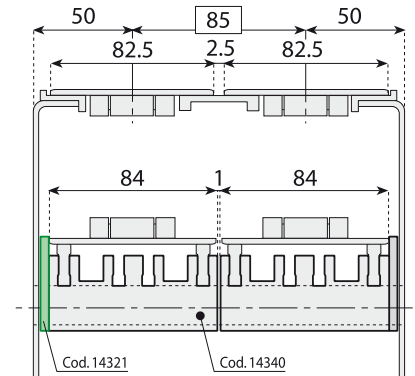
SPACER
FOR SERPENTINE
Snap-on assembly

Code	For square shaft		Material	
14320	20 x 20	n°100	PA	Black





LITTLE WASHER
Snap-on assembly

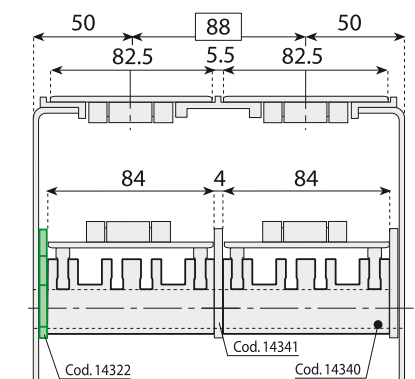
Code	For square shaft		Material	
14321	20 x 20	n°100	PA	Black



BIG WASHER
Snap-on assembly

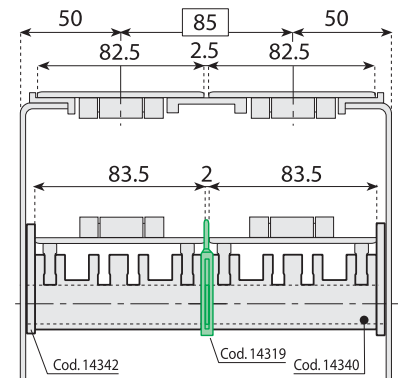
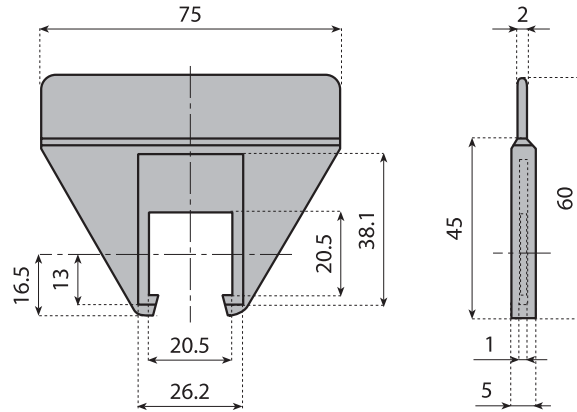
Code	For square shaft		Material	
14322	20 x 20	n°100	PA	Black

Use: 88 mm pitch.





Chain return components

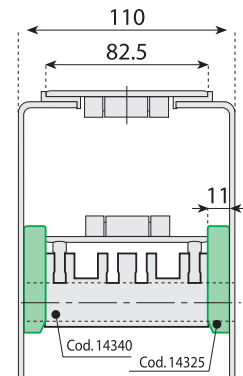
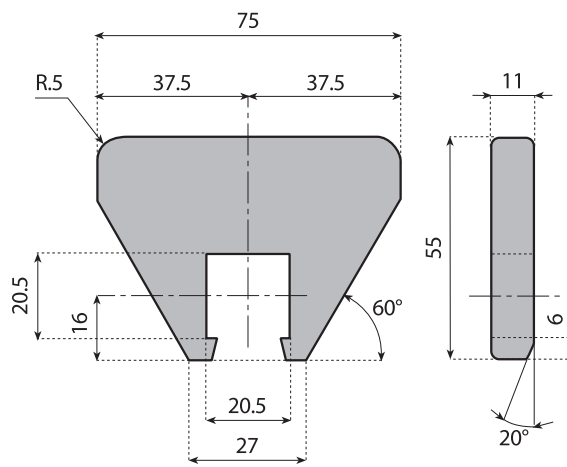
 Preferred type, readily available (codes marked in red)





BIG WASHER
Snap-on assembly

Code	For square shaft		Material	
14319	20 x 20	n°100	PA	Black

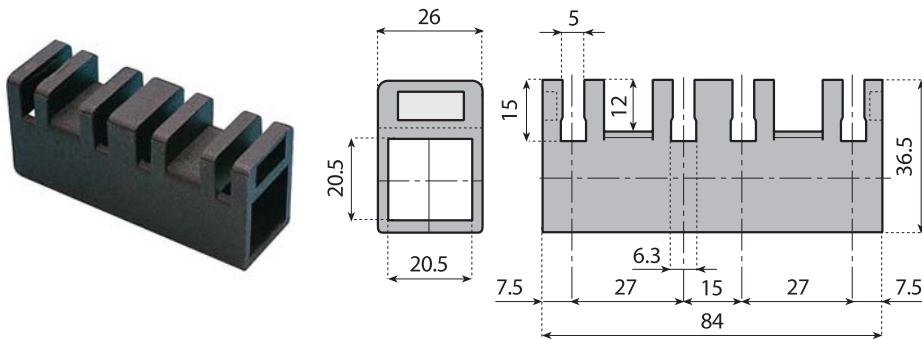
Use: 85 mm pitch.



EXTRA WASHER
Snap-on assembly

Code	For square shaft		Material	
14325	20 x 20	n°100	PA	Black

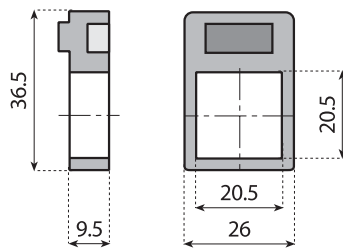
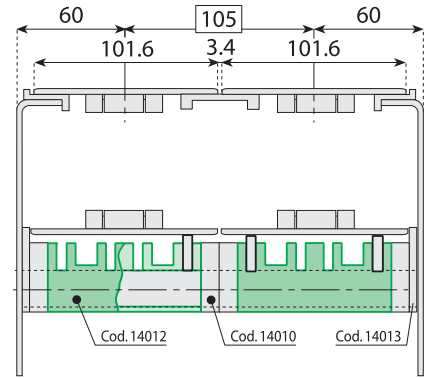
Chain return components



SPACER FOR SERPENTINE

Code	For square shaft	n°	Material	Color
14012	20 x 20	n°100	PA	Black

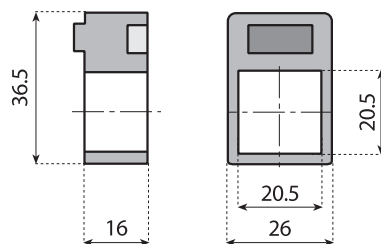
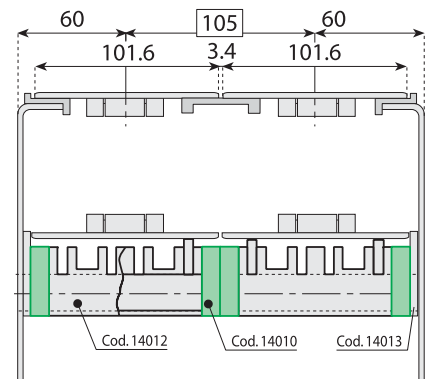
Use: in combination with codes 14010 - 14011 - 14013 - 14014.



WASHER

Code	For square shaft	n°	Material	Color
14010	20 x 20	n°100	PA	Black

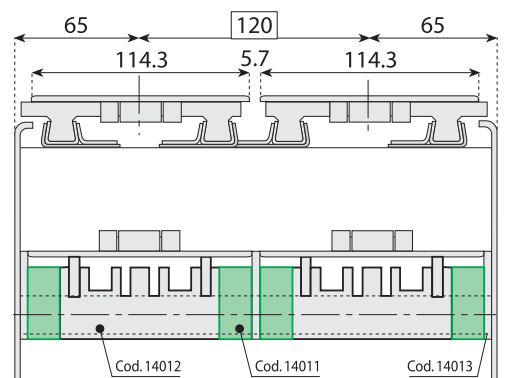
Use: chain return width K 400 (101,6 mm).



BIG WASHER

Code	For square shaft	n°	Material	Color
14011	20 x 20	n°100	PA	Black

Use: chain return width K 450 (114,3 mm).



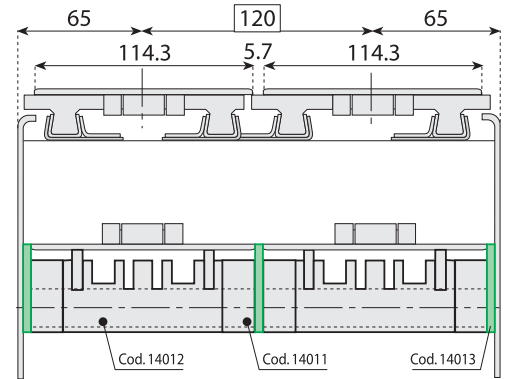
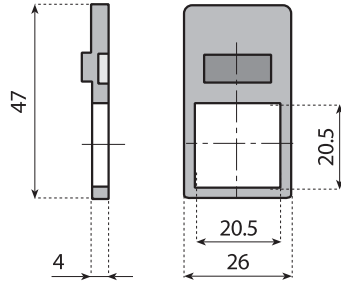
Chain return components



Polyamide

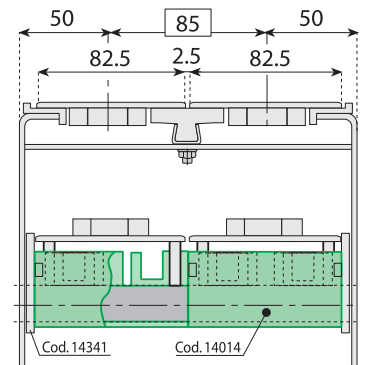
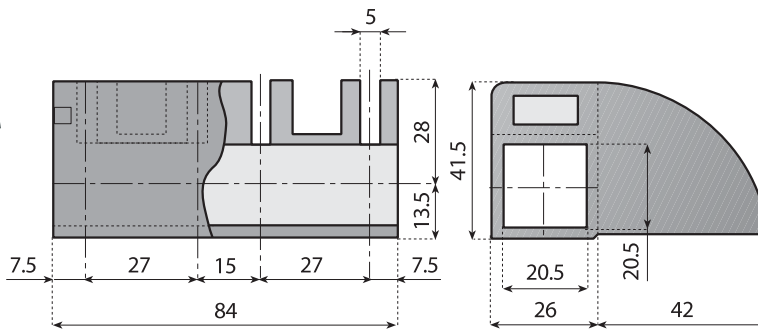


Polyethylene UHMW



SIDE SPACER

Code	For square shaft	n°100	Material	Color
14013	20 x 20	n°100	PA	Black



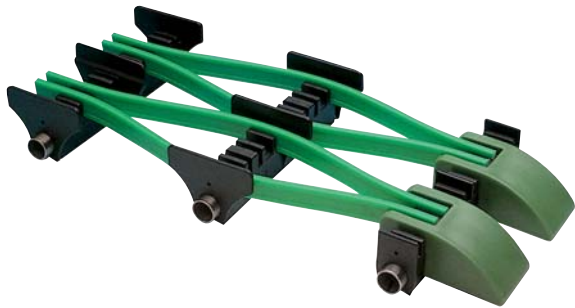
SLIDING SHOE

Code	For square shaft	n°100	Material	Color
14014	20 x 20	n°100	PE	Black

Notes: this part can be installed with codes 14010 - 14011 - 14012 - 14013.

Chain return components

 Preferred type, readily available (codes marked in red)



The new design is reliable, economic and easily installed. It reduces the installation time, assures a uniform alignment, a smooth level surface, increases chain life by reducing wear and chain pulsation.

Notes: use with rod \varnothing 20 mm.

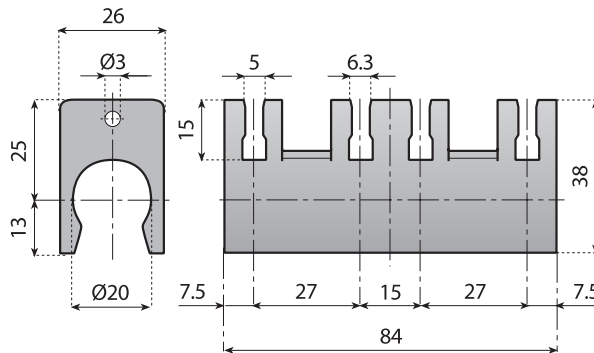
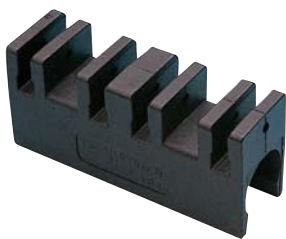
Features: use with steel or plastic chains and with modular belts.
No length limitations.
Rapid installation.
No maintenance required.



Polyamide



Accessories



SPACER FOR SERPENTINE
Snap-on assembly

Code

14349



20



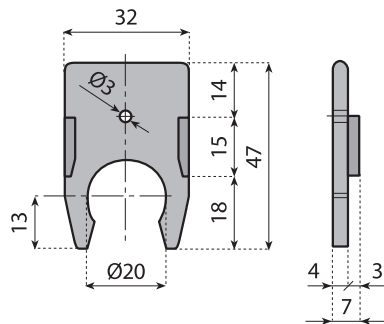
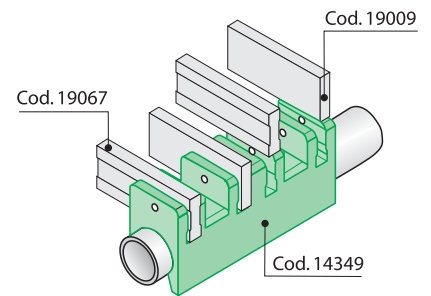
n°100



PA
(Reinforced)



Black



SIDE SPACER
Snap-on assembly

Code

14351



20



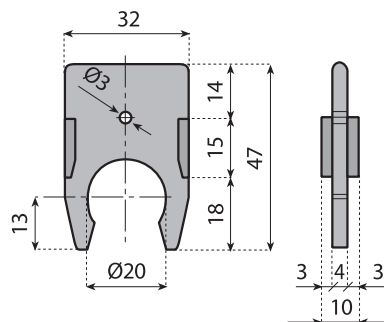
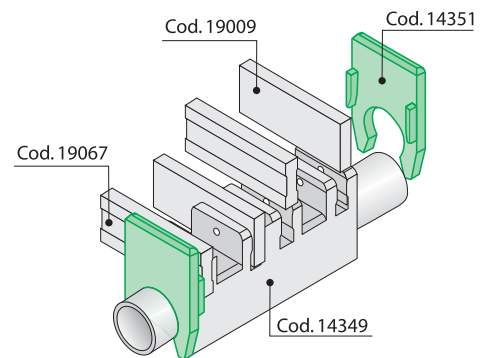
n°100



PA



Black



MIDDLE SPACER
Snap-on assembly

Code

14350



20



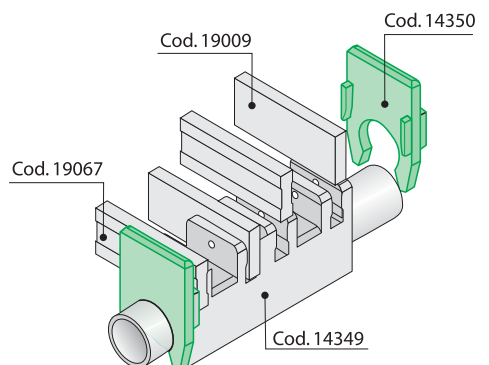
n°100



PA



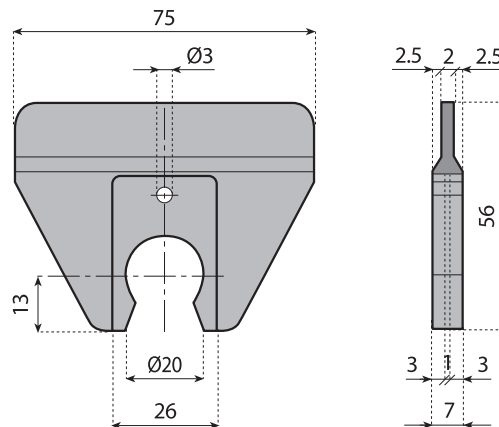
Black



Chain return components

 Preferred type, readily available (codes marked in red)

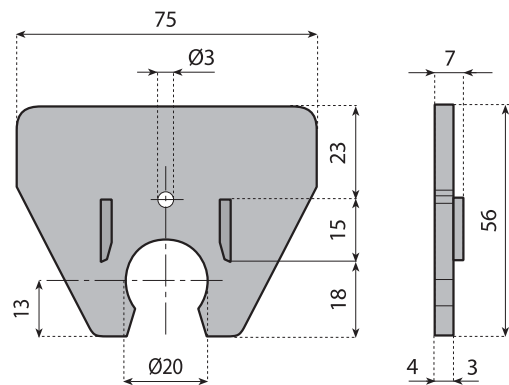
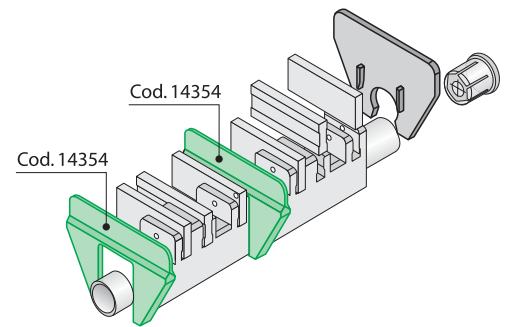
PA
Polyamide



MIDDLE SPACER Pitch 85 mm
Snap-on assembly

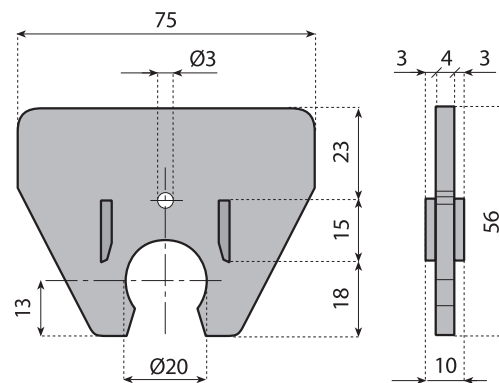
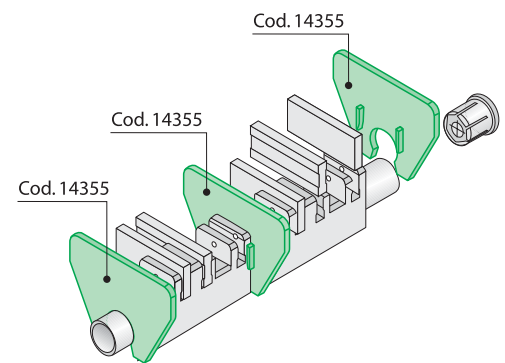
Code	For rod Ø (mm)	n°	Material	Color
14354	20	n°100	PA	Black

Use: in connection with code 14349.



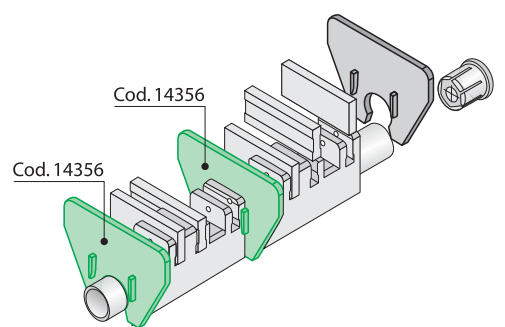
SIDE SPACER Pitch 88 mm
Snap-on assembly

Code	For rod Ø (mm)	n°	Material	Color
14355	20	n°100	PA	Black



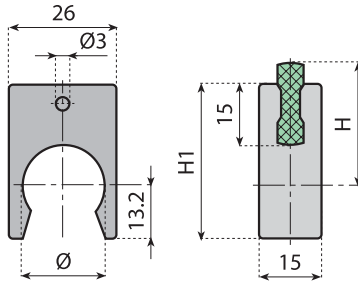
MIDDLE SPACER Pitch 88 mm
Snap-on assembly

Code	For rod Ø (mm)	n°	Material	Color
14356	20	n°100	PA	Black



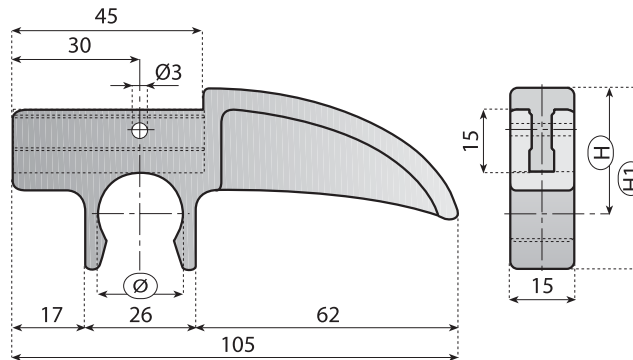
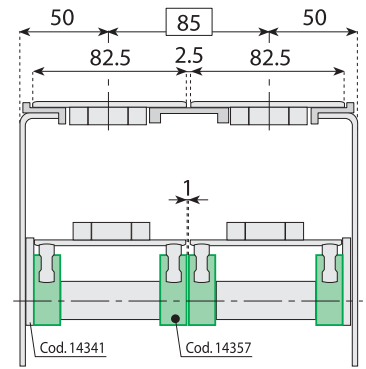
Chain return components

 Preferred type, readily available (codes marked in red)



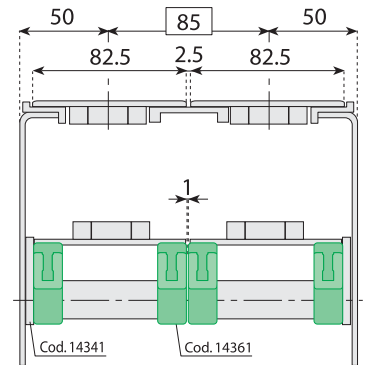
SINGLE SPACER
Snap-on assembly

Code	For rod Ø (mm)	H	H1		Material	
14357	18	34	42.5	n°100	PA	Black
14358	20	30	38			

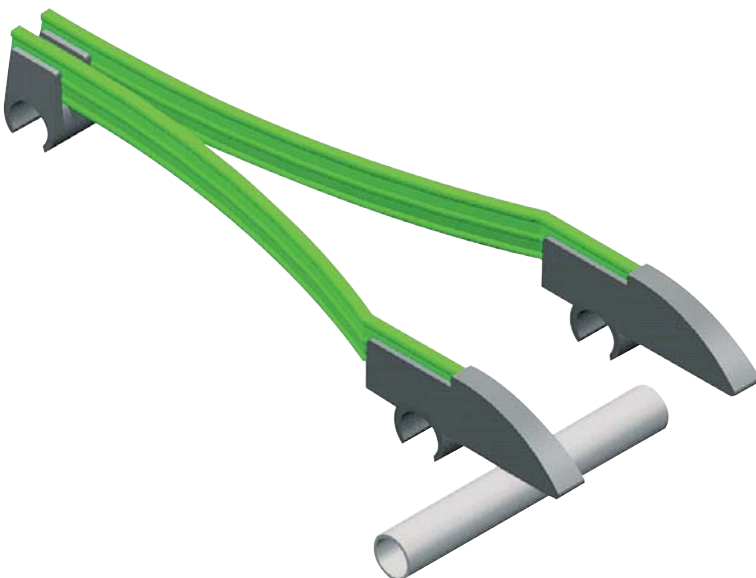


SHOE WEAR STRIP
Snap-on assembly

Code	For rod Ø (mm)	H	H1		Material	
14361	18	34	42.5	n°50	PE	Black
14362	20	30	38			



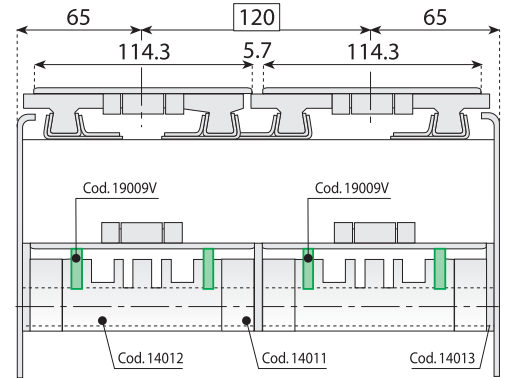
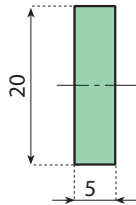
Use: wear strip code 19067N - 19067V.



Chain return components

 Preferred type, readily available (codes marked in red)

PE
Polyethylene
UHMW



WEAR STRIP

Code

19009N
19009V



60 m



60 m

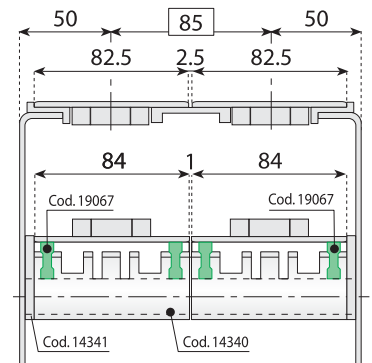
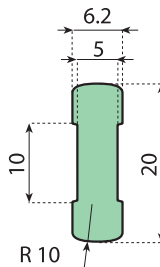


PE



Black
Green

Use: spacers code 14340 - 14012 - 14349.



WEAR STRIP

Code

19067N
19067V



60 m



60 m



PE



Black
Green

Use: spacers code 14340 - 14349.

Chain return components

 Preferred type, readily available (codes marked in red)



Save time and money

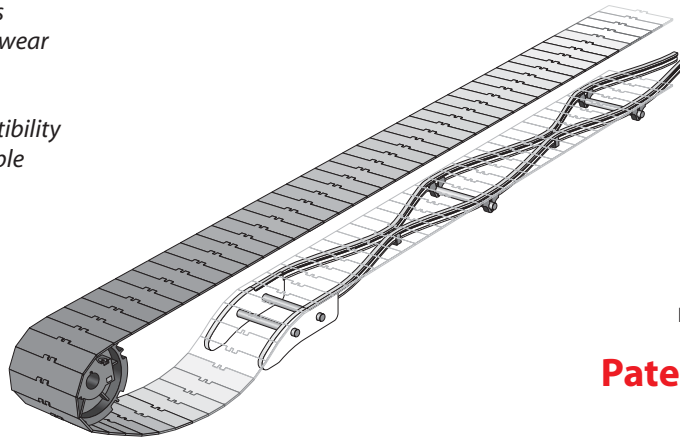


Polyethylene UHMW

SERPENTINE RETURN SYSTEM FOR CHAINS AND MODULAR BELTS

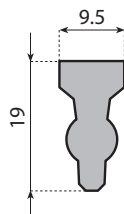
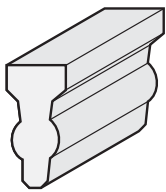
Characteristics:

- cost-effective/labor saving
- flexible design/standard parts
- trouble free/secure
- guaranteed materials
- long life/lower chain wear
- low/no maintenance
- stable at high speeds
- universal belt compatibility
- industry proven reliable



USA #5,190,145
D.G.M. #G9215240.6

Patented Simplicity!



Code

Ref.



19S00002-30M

VF-CR-3834-30M

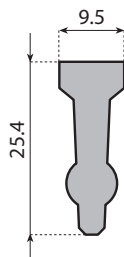
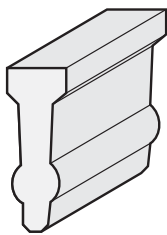
30 m

30 m

PE

White

STANDARD VALUFLEX PROFILE



Code

Ref.



19S00001-30M

VF-CR-38100-30M

30 m

30 m

PE

White

REINFORCED VALUFLEX PROFILE

Spreads out wear across chain!

The ValuFlex system uses standardized parts that help reduce design and fabrication time. ValuFlex can be easily installed, new or retrofitted, without the use of special tools. The absence of moving parts means less noise, less wear, and significantly lower maintenance and replacement cost. The serpentine pattern distributes wear evenly across the belt surface. This extends the useful life of chains or belts and provides increased stability at higher speeds.

ValuFlex is also used as a light duty support grid for lightly loaded modular style belts, and can be used with other Valu Guide components as a hold down system for packaging tops, lids, or flaps.

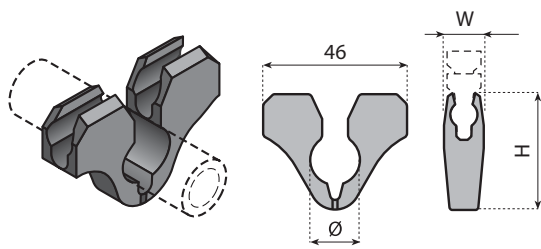
Low friction ValuFlex UHMW serpentine profiles last for years without the need for lubrication or maintenance, and operate equally well in dry or wet environments.

Chain return components

Preferred type, readily available (codes marked in red)

Save time and money

POM
Acetal resin

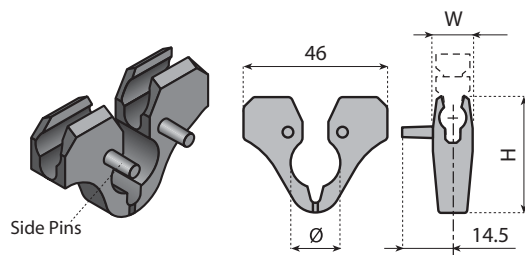


Code	Ref.	For rod Ø (mm)	H	W		Material	
14S00002	VF-CRC-14M	14	33	11.5	n°10	POM	Black
14S00003	VF-CRC-16M	16	36	12.5			
14S00004	VF-CRC-18M	18	36	12.5			

E.U. Patent Pending

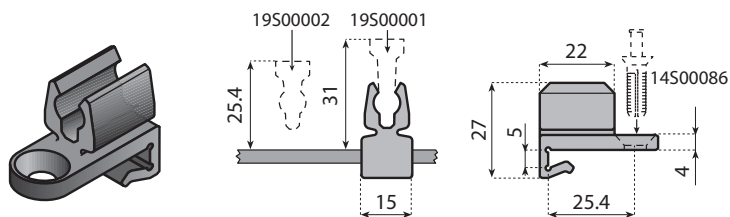
Patented Feature

SNAPLOCK CLIPS



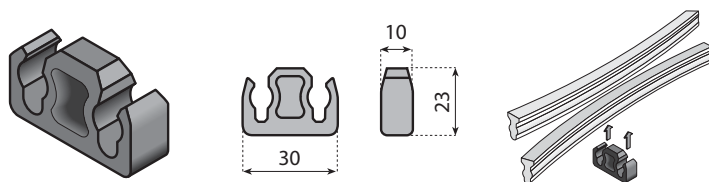
Code	Ref.	For rod Ø (mm)	H	W		Material	
14S00089	VF-CRCP-12M	12	33	11.5	n°10	POM	Black
14S00005	VF-CRCP-14M	14	33	11.5			
14S00006	VF-CRCP-16M	16	36	12.5			
14S00007	VF-CRCP-18M	18	36	12.5			

SNAPLOCK CLIPS



Code	Ref.		Material	
14S00001	VF-CRA-M	n°10	POM	Black

SNAPLOCK CLIPS



Code	Ref.		Material	
14S00008	VF-CRC-T	n°10	POM	Black

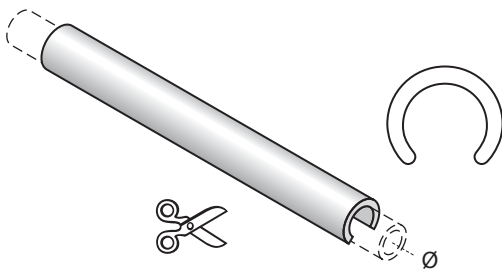
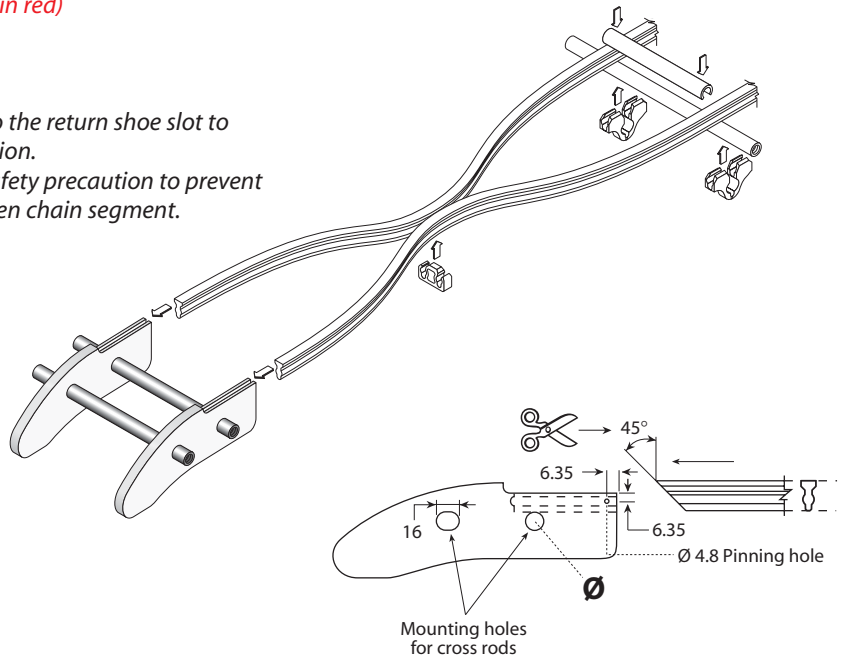
PINCH LOCK CLIPS



Chain return components

 Preferred type, readily available (codes marked in red)

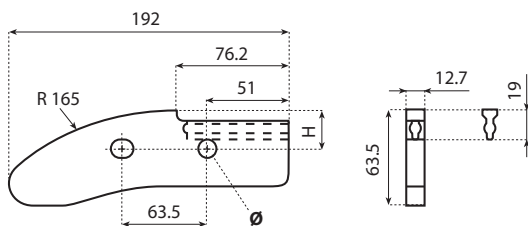
VALUFLEX



ValuFlex serpentine profiles slide into the return shoe slot to ensure a smooth, trouble-free transition. Pinning the profile to the shoe is a safety precaution to prevent separation caused by a snag or broken chain segment.



Code	Ref.	For rod Ø (mm)	L		Material	
19S00003-3M	VF-CRP-3M-14M	14				
19S00004-3M	VF-CRP-3M-16M	16	3 m	30 m	PE	White
19S00005-3M	VF-CRP-3M-18M	18				

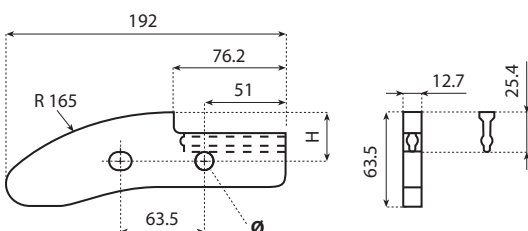
SPACER





Code	Ref.	For rod Ø (mm)	H		Material	
14S00012	VF-CRS-34-14M	14	26			
14S00013	VF-CRS-34-16M	16	27	2	PE	White
14S00014	VF-CRS-34-18M	18	28			

RETURN SHOES

for use with VF-CR-3834



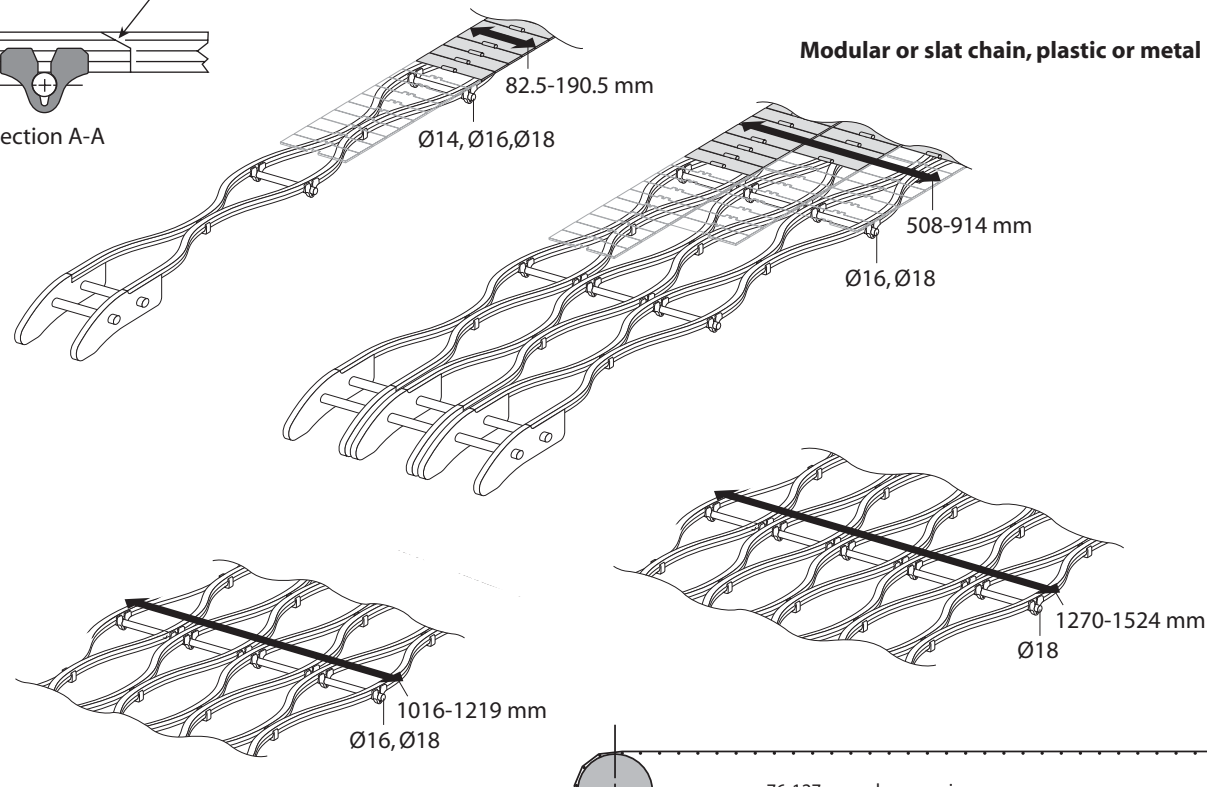
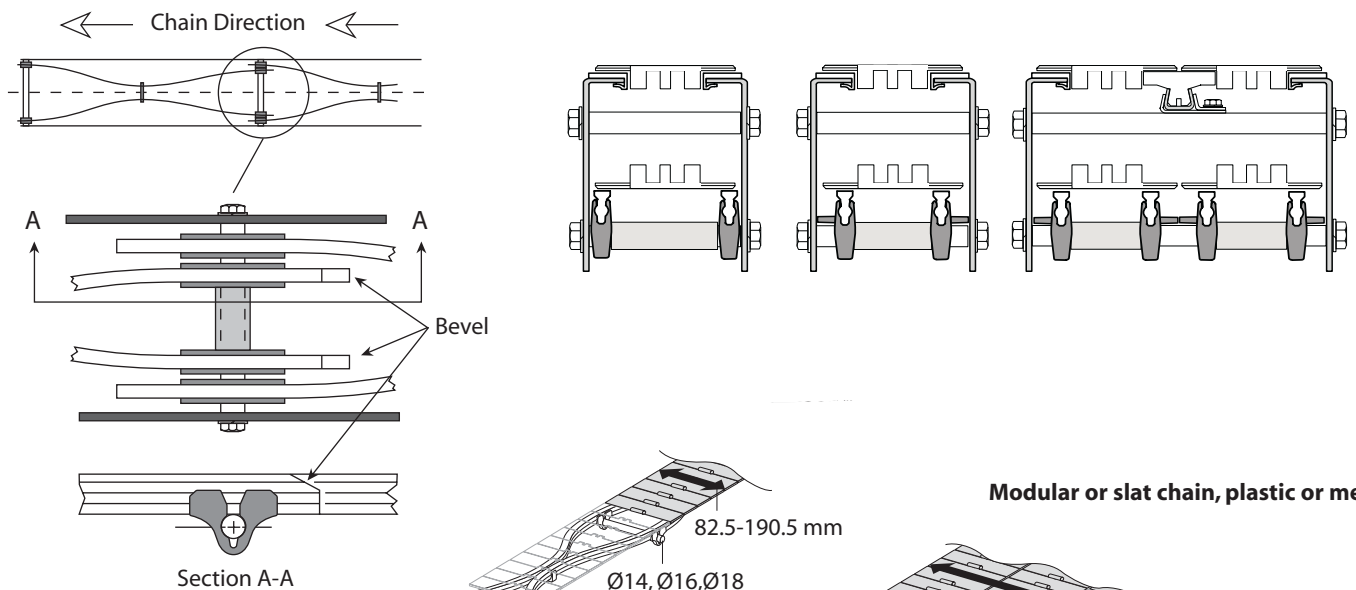
Code	Ref.	For rod Ø (mm)	H		Material	
14S00009	VF-CRS-100-14M	14	32.5			
14S00010	VF-CRS-100-16M	16	33.5	2	PE	White
14S00011	VF-CRS-100-18M	18	34.5			

RETURN SHOES

for use with VF-CR-38100

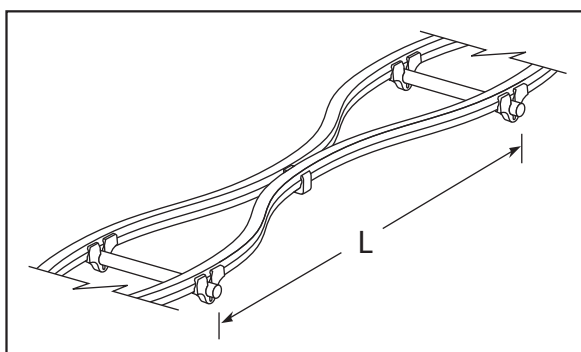
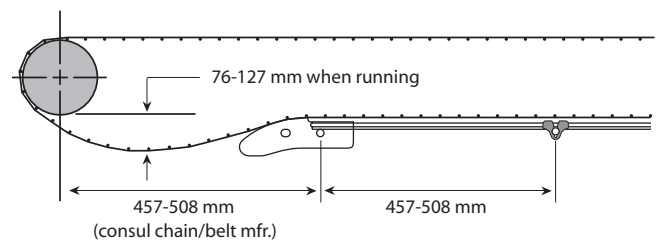
Chain return components

Splicing with the overlap method is quick and easy with ValuFlex.



Modular or slat chain, plastic or metal

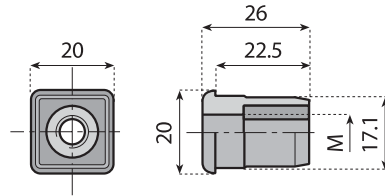
Shown are dimensional guidelines for positioning chain return shoes



Single Pair Max. Load			
L (mm)	VF-34-30M	L (mm)	VF-100-30M
300	18.89 Kg/m	300	36.21 Kg/m
450	6.24 Kg/m	450	11.08 Kg/m
600	3.59 Kg/m	600	5.77 Kg/m



Chain return components

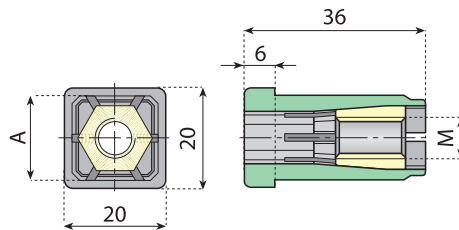
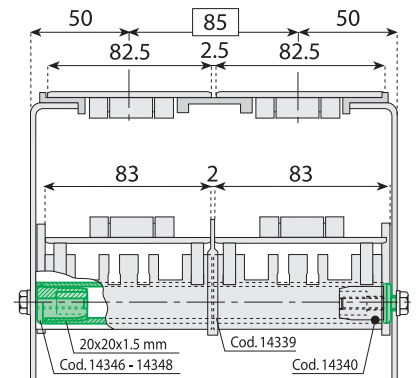
 Preferred type, readily available (codes marked in red)



SQUARE PLUG for square tube

Material: reinforced polyamide, threaded bushing in nickel plated brass.



Code	M	For square tube		
14348	6	20 x 20	n°100	Black
14346	8	20 x 20		

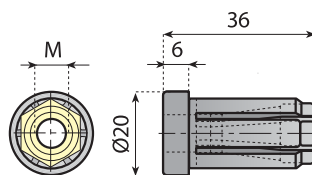
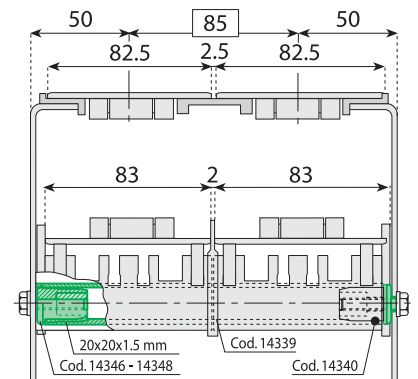


EXPANSION PLUG for square tubes

Components:
External part in reinforced polyamide.
Conical insert in nickel plated brass.

Technical information:
Max. load for removal Kgf 300
(static conditions).



Code	A	M	For square tube		
14019	17	8	20 x 20 x 1.5	n°100	Black
14020	17	10	20 x 20 x 1.5		
14021	16	8	20 x 20 x 2		
14022	16	10	20 x 20 x 2		

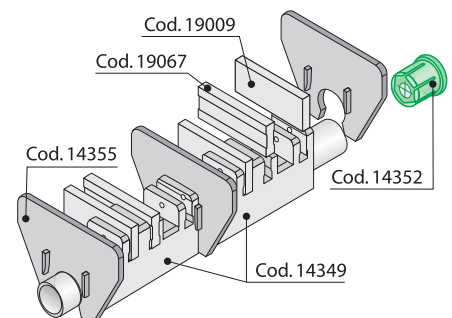


EXPANSION PLUG for round tubes

Components:
External part in reinforced polyamide.
Conical insert in nickel plated brass.

Technical information:
Max. load for removal Kgf 300
(static conditions).

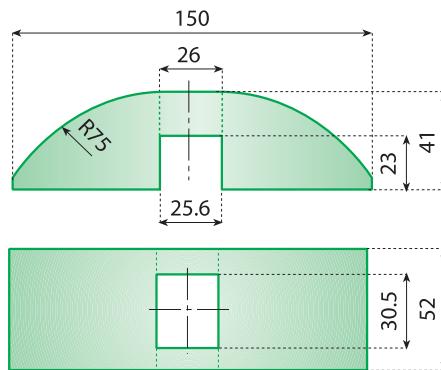
Code	M	For round tube		
14352	8	Ø 20 x 1.5	n°100	Black
14353	10	Ø 20 x 1.5		



Chain return components

Preferred type, readily available (codes marked in red)

PE
Polyethylene UHMW



SLIDING SHOE

Code

14300



n°100



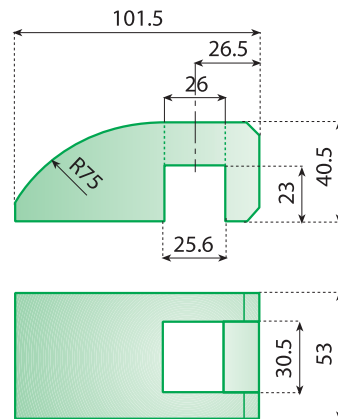
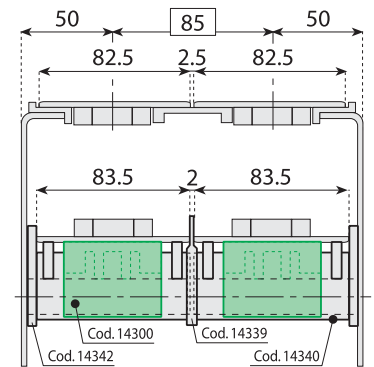
Material

PE



Green

Use: with spacers 14340 - 14349.



SLIDING SHOE

Code

14343



n°100



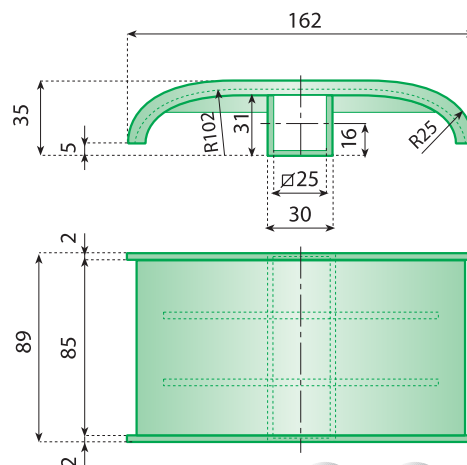
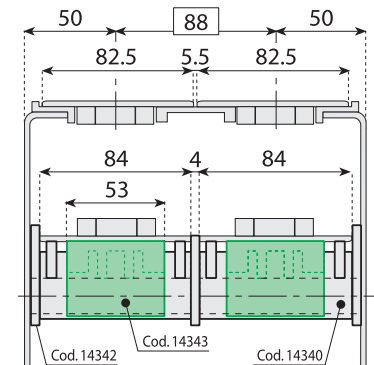
Material

PE



Green

Use: with spacers 14340 - 14349.



SLIDING SHOE

Code

14344



n°100

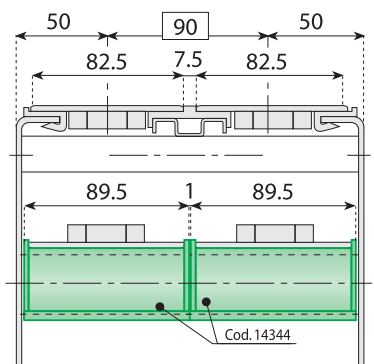


Material

PE

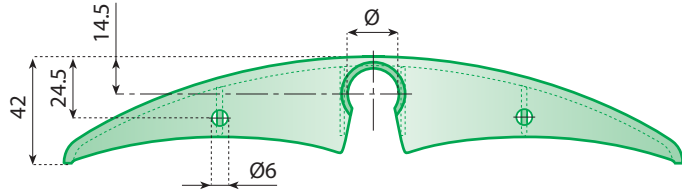


Green

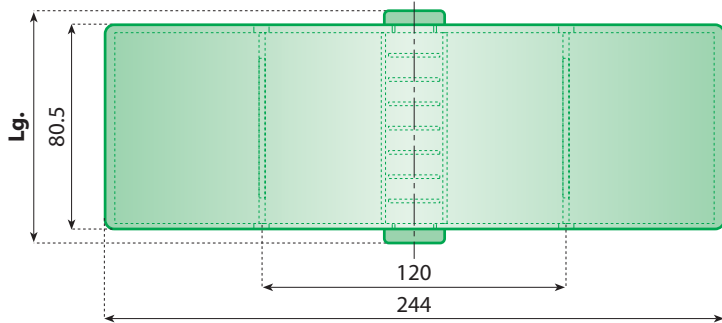


Chain return components

 Preferred type, readily available (codes marked in red)

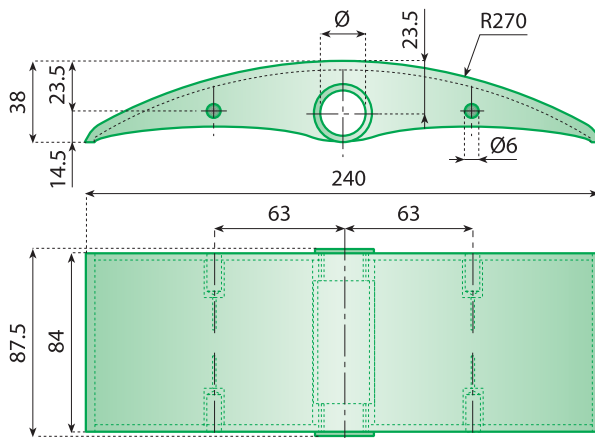


SNAP-ON SELF-ADJUSTING SLIDING SHOE



Code	Lg.	For rod Ø (mm)		Material	
14858	80.5	30	n° 50	PE	Green
14858B					Black
14841	83	20	n° 50	PE	Green
14841B					Black
14842					Green
14842B					Black
14834	84	20	n°50	PE	Green
14834B					Black
14838					Green
14838B					Black

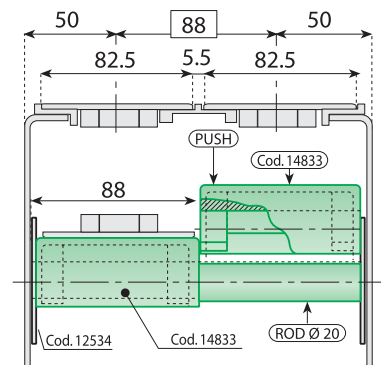
Code	Lg.	For rod Ø (mm)		Material	
14843	85	20	n°50	PE	Green
14843B					Black
14844	88	20	n°50	PE	Green
14844B					Black
14845	88	20	n°50	PE	Green
14845B					Black
14833					Green
14833B					Black



SELF-ADJUSTING SLIDING SHOE

Application: pitch 88 mm.

Code	For rod Ø (mm)		Material	
14820	20	n°100	PE	Green
14820B				Black



CORNER TRACKS

Pages

For steel chains and plastic chains

[76 → 84](#)

STRAIGHT TRACKS

Pages

For steel chains and plastic chains

[85 → 92](#)

FOR OUR CORNER TRACKS AND STRAIGHT TRACKS WE USE FOLLOWING MATERIALS:

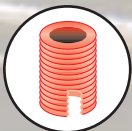
Material: UHMW- PE (Ultra High Molecular Weight) is our standard track material. It is a proprietary blend of resins and reground UHMW that minimizes wear and friction. It is suitable for most applications.

Colour: black.

Material: Nolu-S is a patented alloy of UHMW and dry lubricants that maintains good wear characteristics while significantly reducing the coefficient of friction.

Recommended for dry running applications with plastic chains.

Colour: light grey.



Inserts:

The corner tracks can be supplied with M8 or M10 brass inserts to your detailed drawing



Corner tracks

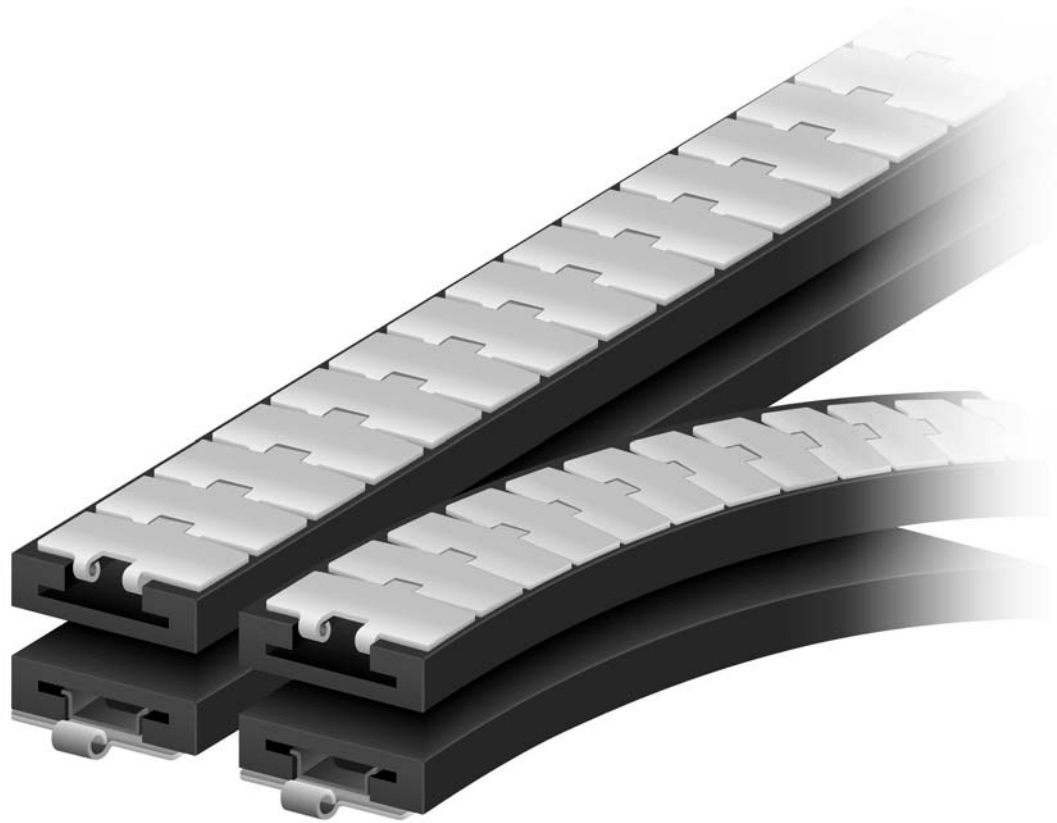
Special Dimensions

On request corner tracks with special dimensions can be produced.



For further information contact our Engineering Department.

Straight and corner tracks



Straight and corner modules are designed to guide side flexing steel and plastic conveyor chains. They are manufactured with state of the art computer controlled machinery, assuring parallel module sides and a smooth uniform chain guiding surface.

Selection of Materials

Our standard series is precision machined from a proprietary blend of Nolu-S, a grey, self lubricating UHMW blend. This material maintains excellent chemical and corrosion resistance, while providing low friction, superior rigidity, and resistance to wear.

	PE1000	Nolu-S
Stainless steel chain static friction	0.24 (\pm 0.03)	0.22 (\pm 0.01)
Stainless steel chain dynamic friction	0.18 (\pm 0.01)	0.15 (\pm 0.01)
Acetal chain static friction	0.18 (\pm 0.01)	0.15 (\pm 0.01)
Acetal chain dynamic friction	0.17 (\pm 0.01)	0.14 (\pm 0.01)
Maximum, continuous operating temperature	82°C	82°C

NOLU-S - Material with built-in lubrication

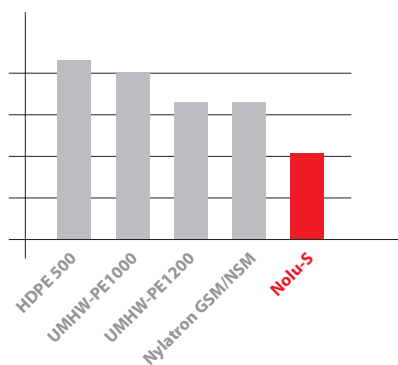
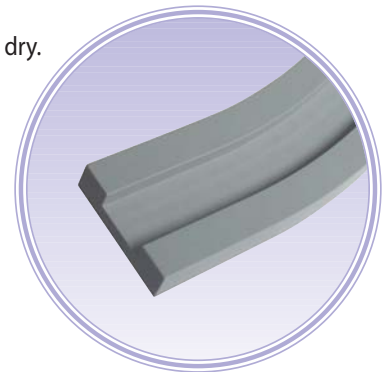
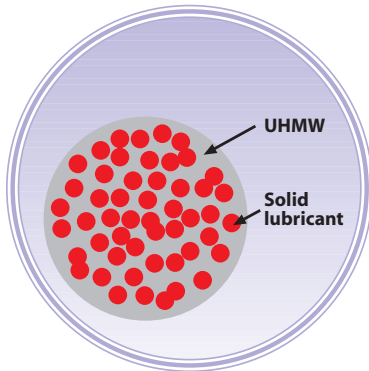
WHAT IS NOLU-S ?

Nolu-S material is a unique compound of UHMW and a solid lubricant. Reduces drastically the coefficient of friction, maintaining the characteristics of UHMW. Nolu-S has a better thermal conductivity compared with UHMW.

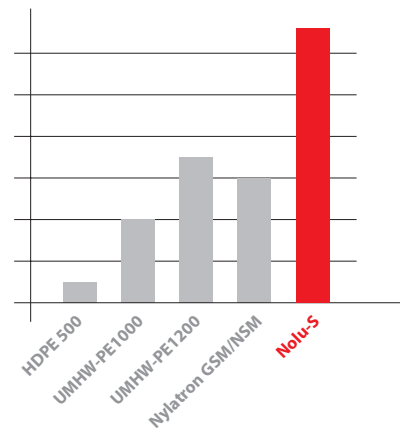
WHY USE NOLU-S ?

BENEFITS AND FEATURES

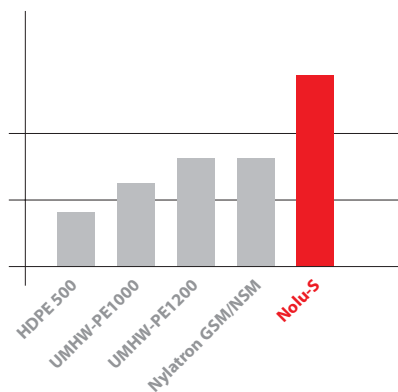
- **Nolu-S** makes very high speeds possible, especially when running dry.
- **Nolu-S** has an extremely low coefficient of friction.
- **Nolu-S** reduces noise and squeaking.
- **Nolu-S** reduces chain pull.
- **Nolu-S** extends the life of the chain.
- **Nolu-S** does not damage and scratch the surface of PET.
- **Nolu-S** reduces the consumption of energy.
- **Nolu-S** is a UHMW-PE1000 with a solid lubricant, FDA approved.



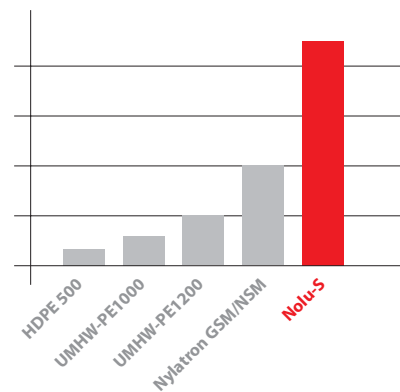
COEFFICIENT OF FRICTION
AVERAGE COEFFICIENT OF FRICTION



RELATIVE WEARLIFE



MAX. SPEED
MAX. RECOMMENDED SURFACE SPEED (DRY - ACETAL LF CHAIN)



PV - LIMIT

NOLU-S CHARACTERISTICS

CORNER TRACKS for TAB chains series

878 TAB - 879 TAB - 880 TAB - 881 TAB - 8810 TAB

2250 TAB - 2251 TAB



For chains type see
Conveyor Chains - Belts
catalogue



For steel chains, type:
881 TAB
8810 TAB



For plastic chains, type:
878 TAB • 879 TAB
880 TAB
2250 TAB • 2251 TAB



**FOR CORNER TRACKS IN NOLU-S MATERIAL,
JUST ADD "NS" TO PART NUMBER. EXAMPLE CODE "19017NS"**

Tab chains K325 pitch 85 mm						
Tracks	Total Width A mm	Radius R1 = 500	Radius R1 = 610	Radius R1 = 650	Radius R1 = 800	Radius R1 = 1000
1	100	19017*	19125	19131	19137	19143
2	185	19149	19154	19159	19164	19169
3	270	19150	19155	19160	19165	19170
4	355	19151	19156	19161	19166	19171
5	440	19152	19157	19162	19167	19172
6	525	19153	19158	19163	19168	19173

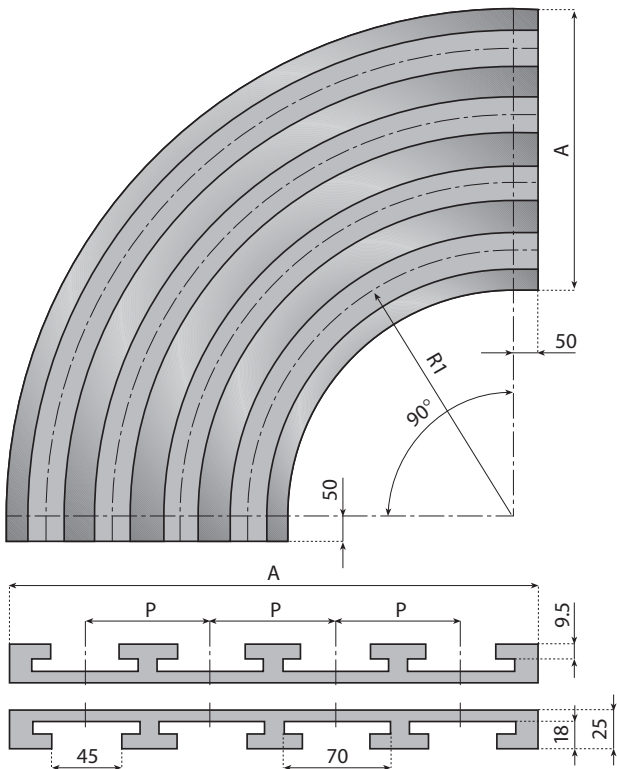
Tab chains K325 pitch 88 mm						
Tracks	Total Width A mm	Radius R1 = 500	Radius R1 = 610	Radius R1 = 650	Radius R1 = 800	Radius R1 = 1000
1	100	19017*	19125	19131	19137	19143
2	188	19120	19126	19132	19138	19144
3	276	19121	19127	19133	19139	19145
4	364	19122	19128	19134	19140	19146
5	452	19123	19129	19135	19141	19147
6	540	19124	19130	19136	19142	19148

Tab chains K325 - K350 pitch 90 mm						
Tracks	Total Width A mm	Radius R1 = 500	Radius R1 = 610	Radius R1 = 650	Radius R1 = 800	Radius R1 = 1000
1	100	19017*	19125	19131	19137	19143
2	190	19465	19470	19475	19480	19485
3	280	19466	19471	19476	19481	19486
4	370	19467	19472	19477	19482	19487
5	460	19468	19473	19478	19483	19488
6	550	19469	19474	19479	19484	19489

Tab chains K450 pitch 120 mm						
Tracks	Total Width A mm	Radius R1 = 500	Radius R1 = 610	Radius R1 = 650	Radius R1 = 800	Radius R1 = 1000
1	130	-	19018*	19175	19177	19179
2	250	-	19174	19176	19178	19180
3	370	-	19445	19449	19453	19457
4	490	-	19446	19450T	19454	19458
5	610	-	19447	19451T	19455	19459
6	730	-	19448	19452T	19456	19460T

Tab chains K750 pitch 195 mm						
Tracks	Total Width A mm	Radius R1 = 500	Radius R1 = 610	Radius R1 = 650	Radius R1 = 800	Radius R1 = 1000
1	200	-	19181	19183	19185	19187
2	395	-	19182	19184	19186	19188
3	590	-	19490	19492	19494	19496
4	785	-	19491	19493	19495	19497

* These curves are now available ex stock in Nolu-S material, part number 19017-NS and 19018-NS



Now AVAILABLE IN

"NOLU-S"

MATERIAL !

For further
information
see page 74 - 75

• More tracks available on request.

Material: UHMW- PE, colour: black.

Material: Nolu-S, colour: light grey.

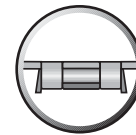
Supply: corner tracks are supplied complete with carry and return plates.

CORNER TRACKS for BEVEL chains

879 - 880 - 881 - 8810



For chains type see
Conveyor Chains - Belts
catalogue



For steel chains,
type:
881 • 8810



For plastic chains,
type:
879 • 880

**FOR CORNER TRACKS IN NOLU-S MATERIAL,
JUST ADD "NS" TO PART NUMBER. EXAMPLE CODE "19015NS"**

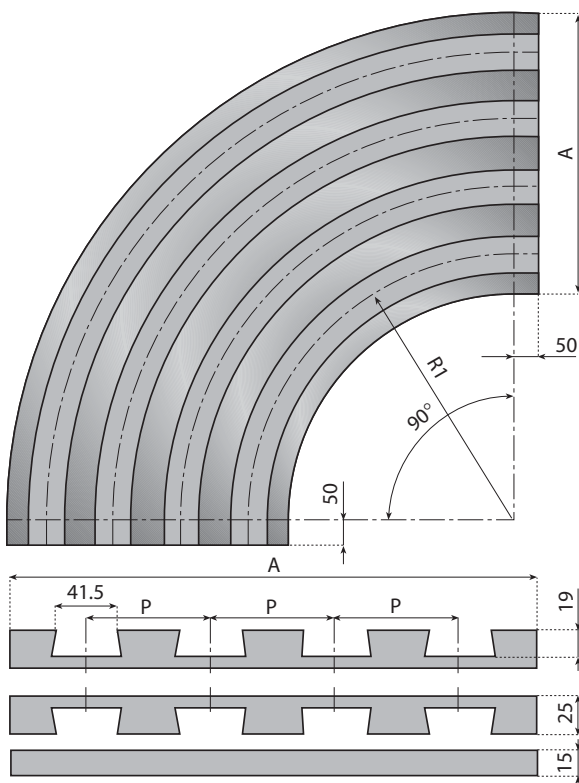
Bevel chains K325 pitch 85 mm						
Tracks	Total Width A mm	Radius R1 = 500	Radius R1 = 610	Radius R1 = 650	Radius R1 = 800	Radius R1 = 1000
1	100	19015	19279	19285	19291	19297
2	185	19303	19308	19313	19318	19323
3	270	19304	19309	19314	19319	19324
4	355	19305	19310	19315	19320	19325
5	440	19306	19311	19316	19321	19326
6	525	19307	19312	19317	19322	19327

Bevel chains K325 pitch 88 mm						
Tracks	Total Width A mm	Radius R1 = 500	Radius R1 = 610	Radius R1 = 650	Radius R1 = 800	Radius R1 = 1000
1	100	19015	19279	19285	19291	19297
2	188	19274	19280	19286	19292	19298
3	276	19275	19281	19287	19293	19299
4	364	19276	19282	19288	19294	19300
5	452	19277	19283	19289	19295	19301
6	540	19278	19284	19290	19296	19302

Bevel chains K325 - K350 pitch 90 mm						
Tracks	Total Width A mm	Radius R1 = 500	Radius R1 = 610	Radius R1 = 650	Radius R1 = 800	Radius R1 = 1000
1	100	19015	19279	19285	19291	19297
2	190	19914	19919	19924	19929	19934
3	280	19915	19920	19925	19930	19935
4	370	19916	19921	19926	19931	19936
5	460	19917	19922	19927	19932	19937
6	550	19918	19923	19928	19933	19938

Bevel chains K450 pitch 120 mm						
Tracks	Total Width A mm	Radius R1 = 500	Radius R1 = 610	Radius R1 = 650	Radius R1 = 800	Radius R1 = 1000
1	130	-	19016	19330	19332	19334
2	250	-	19329	19331	19333	19335
3	370	-	19896	19897	19898	19899
4	490	-	19901	19904	19907	19910
5	610	-	19902	19905	19908	19911
6	730	-	19903	19906	19909	19912

Bevel chains K750 pitch 195 mm						
Tracks	Total Width A mm	Radius R1 = 500	Radius R1 = 610	Radius R1 = 650	Radius R1 = 800	Radius R1 = 1000
1	200	-	19336	19338	19340	19342
2	395	-	19337	19339	19341	19343
3	590	-	19939	19941	19943	19945
4	785	-	19940	19942	19944	19946



NOW AVAILABLE IN

"NOLU-S"

MATERIAL !

For further
information
[see page 74 - 75](#)

• More tracks available on request.

Material: UHMW- PE, colour: black.

Material: Nolu-S, colour: light grey.

Supply: corner tracks are supplied complete with carry and return plates.

CORNER TRACKS for TAB chains series

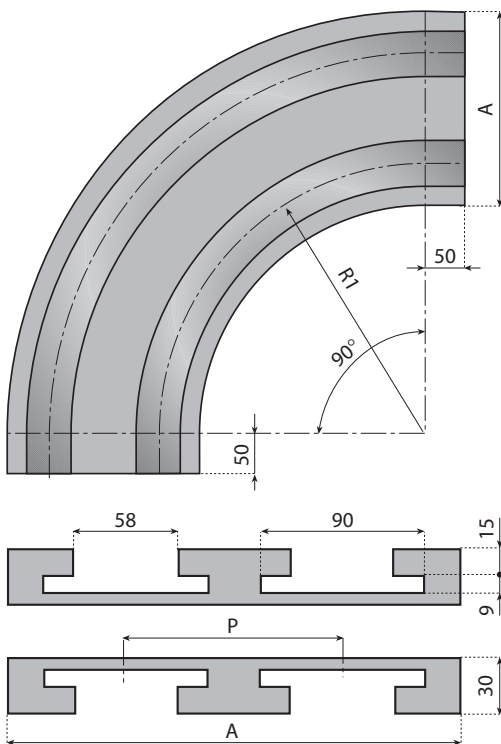
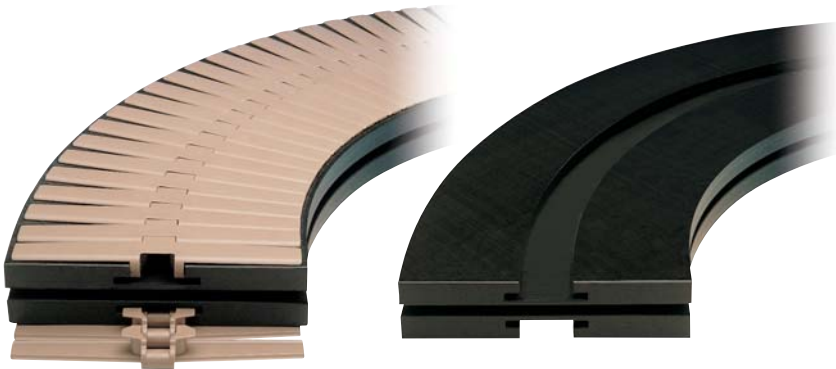
882 TAB - LBP 882 TAB - 882 TAB VG



For chains type see
Conveyor Chains - Belts
catalogue



For plastic chains, type:
882 TAB



**FOR CORNER TRACKS IN NOLU-S MATERIAL,
JUST ADD "NS" TO PART NUMBER. EXAMPLE CODE "19102NS"**

Tab chains **K450** pitch **120 mm**

Tracks	Total Width A mm	Radius R1 = 610	Radius R1 = 650	Radius R1 = 800	Radius R1 = 1000
1	130	19102	19190	19192	19194
2	250	19189	19191	19193	19195
3	370	19950	19954	19958	19962
4	490	19951	19955	19959	19963
5	610	19952	19956	19960	19964
6	730	19953	19957	19961	19965

Tab chains **K750** pitch **195 mm**

Tracks	Total Width A mm	Radius R1 = 610	Radius R1 = 650	Radius R1 = 800	Radius R1 = 1000
1	200	19103	19197	19199	19201
2	395	19196	19198	19200	19202
3	590	19966	19968	19970	19972
4	785	19967	19969	19971	19973

Tab chains **K1000** pitch **230 mm**

Tracks	Total Width A mm	Radius R1 = 610	Radius R1 = 650	Radius R1 = 800	Radius R1 = 1000
1	270	19104	19204	19206	19208
2	530	19203	19205	19207	19209
3	790	19974	19976	19978	19980
4	1050	19975	19977	19979	19981

Tab chains **K1200** pitch **310 mm**

Tracks	Total Width A mm	Radius R1 = 610	Radius R1 = 650	Radius R1 = 800	Radius R1 = 1000
1	320	19105	19211	19213	19215
2	630	19210	19212	19214	19216
3	940	19982	19984	19986	19988
4	1250	19983	19985	19987	19989

Now available in

"NOLU-S"

MATERIAL !

For further
information
see page 74 - 75

• More tracks available on request.

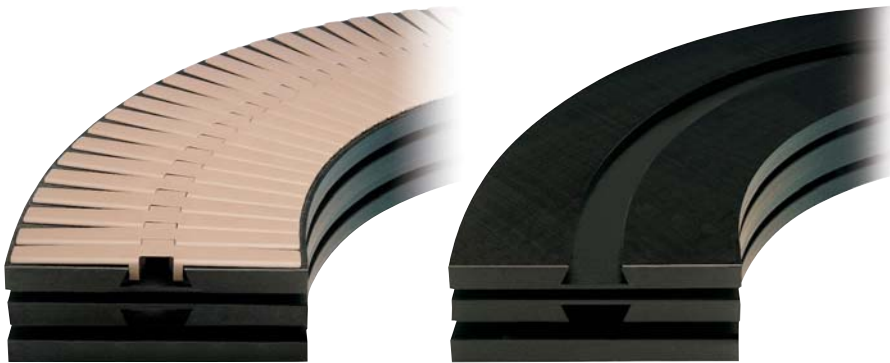
Material: UHMW- PE, colour: black.

Material: Nolu-S, colour: light grey.

Supply: corner tracks are supplied complete with carry and return plates.

CORNER TRACKS for BEVEL chains serie

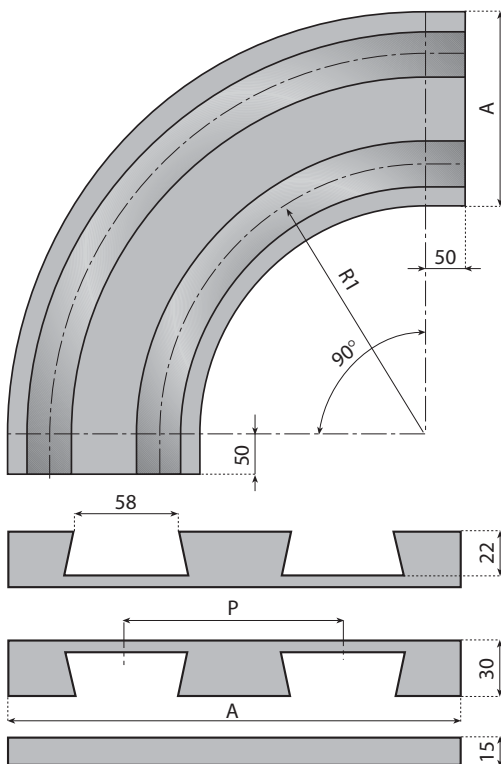
882



For chains type see
Conveyor Chains - Belts
catalogue



For plastic chains, type:
882 BEVEL



**FOR CORNER TRACKS IN NOLU-S MATERIAL,
JUST ADD "NS" TO PART NUMBER. EXAMPLE CODE "190001NS"**

Bevel chains K450 pitch 120 mm					
Tracks	Total Width A mm	Radius R1 = 610	Radius R1 = 650	Radius R1 = 800	Radius R1 = 1000
1	130	190001	190007	190013	190019
2	250	190002	190008	190014	190020
3	370	190003	190009	190015	190021
4	490	190004	190010	190016	190022
5	610	190005	190011	190017	190023
6	730	190006	190012	190018	190024

Bevel chains K750 pitch 195 mm					
Tracks	Total Width A mm	Radius R1 = 610	Radius R1 = 650	Radius R1 = 800	Radius R1 = 1000
1	200	190025	190029	190033	190037
2	395	190026	190030	190034	190038
3	590	190027	190031	190035	190039
4	785	190028	190032	190036	190040

Bevel chains K1000 pitch 260 mm					
Tracks	Total Width A mm	Radius R1 = 610	Radius R1 = 650	Radius R1 = 800	Radius R1 = 1000
1	270	190041	190045	190049	190053
2	530	190042	190046	190050	190054
3	790	190043	190047	190051	190055
4	1050	190044	190048	190052	190056

NOW AVAILABLE IN
"NOLU-S"
MATERIAL !

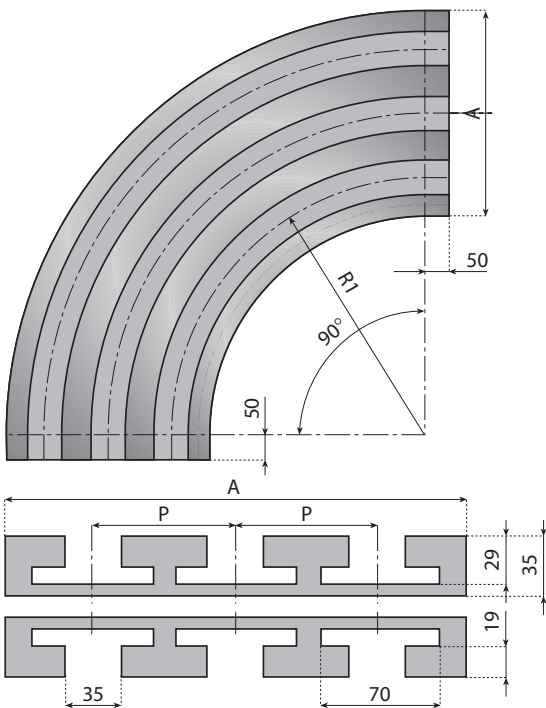
For further
information
see page 74 - 75

- More tracks available on request.
- Material: UHMW- PE**, colour: black.
- Material: Nolu-S**, colour: light grey.
- Supply:** corner tracks are supplied complete with carry and return plates.

CORNER TRACKS for TAB chains series

1863 - 1873 - 1874

FOR CORNER TRACKS IN **NOLU-S** MATERIAL,
JUST ADD "NS" TO PART NUMBER. EXAMPLE CODE "190060NS"



For chains type see
Conveyor Chains - Belts
catalogue



For steel chains,
type:
1874



For plastic chains,
type:
1863 • 1873

NOW AVAILABLE IN

"NOLU-S"

MATERIAL !

For further
information
see page 74 - 75

• More tracks available on request.

Material: UHMW- PE, colour: black.

Material: Nolu-S, colour: light grey.

Supply: corner tracks are supplied complete with carry and return plates.

Chains K225 pitch 70 mm

Tracks	Total Width A mm	Radius R1 = 380	Radius R1 = 500	Radius R1 = 610	Radius R1 = 800	Radius R1 = 1000
1	75	190060	190064	190068	190072	190076
2	145	190061	190065	190069	190073	190077
3	215	190062	190066	190070	190074	190078
4	285	190063	190067	190071	190075	190079

Chains K325 pitch 85 mm

Tracks	Total Width A mm	Radius R1 = 380	Radius R1 = 500	Radius R1 = 610	Radius R1 = 800	Radius R1 = 1000
1	100	190080	19217	19221	19225	19229
2	185	190081	19218	19222	19226	19230
3	270	190082	19219	19223	19227	19231
4	355	190083	19220	19224	19228	19232

Chains K325 pitch 90 mm

Tracks	Total Width A mm	Radius R1 = 500	Radius R1 = 610	Radius R1 = 650	Radius R1 = 800	Radius R1 = 1000
1	100	19217	19221	190092	19225	19229
2	190	190085	190089	190093	190097	190101
3	280	190086	190090	190094	190098	190102
4	370	190087	190091	190095	190099	190103

Chains K450 pitch 120 mm

Tracks	Total Width A mm	Radius R1 = 380	Radius R1 = 500	Radius R1 = 610	Radius R1 = 800	Radius R1 = 1000
1	130	190104	19233	19235	19237	19239
2	250	190105	19234	19236	19238	19240
3	370	190106	190108	190110	190112	190114
4	490	190107	190109	190111	190113	190115

Chains K600 pitch 160 mm

Tracks	Total Width A mm	Radius R1 = 500	Radius R1 = 610	Radius R1 = 650	Radius R1 = 800	Radius R1 = 1000
1	170	19241	19243	190116	19245	19247
2	330	19242	19244	190117	19246	19248
3	490	190118	190120	190122	190124	190126
4	650	190119	190121	190123	190125	190127

Chains K750 pitch 195 mm

Tracks	Total Width A mm	Radius R1 = 500	Radius R1 = 610	Radius R1 = 650	Radius R1 = 800	Radius R1 = 1000
1	200	19249	19251	190128	19253	19255
2	395	19250	19252	190129	19254	19256
3	590	190130	190132	190134	190136	190138
4	785	190131	190133	190135	190137	190139

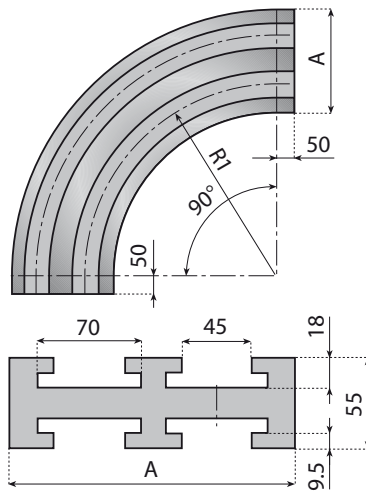
Chains K1000 pitch 260 mm

Tracks	Total Width A mm	Radius R1 = 500	Radius R1 = 610	Radius R1 = 650	Radius R1 = 800	Radius R1 = 1000
1	270	19257	19259	190140	19261	19263
2	530	19258	19260	190141	19262	19264

Chains K1200 pitch 310 mm

Tracks	Total Width A mm	Radius R1 = 610	Radius R1 = 650	Radius R1 = 750	Radius R1 = 800	Radius R1 = 1000
1	320	19267	19265	190142	19269	19271
2	630	19268	19266	190143	19270	19272

COMPACT CORNER TRACKS for TAB chains **878 TAB - 879 TAB** **880 TAB - 881 TAB - 8810 TAB - 2250TAB - 2251 TAB**



For chains type see
Conveyor Chains - Belts
catalogue



For chains type see
Conveyor Chains
catalogue



For plastic chains, type:
878 TAB • 879 TAB
880 TAB
2250 TAB • 2251 TAB

NOW AVAILABLE IN

"NOLU-S"

MATERIAL !

[For further information see page 74 - 75](#)

FOR CORNER TRACKS IN NOLU-S MATERIAL, JUST ADD "NS" TO PART NUMBER. EXAMPLE CODE "19106NS"

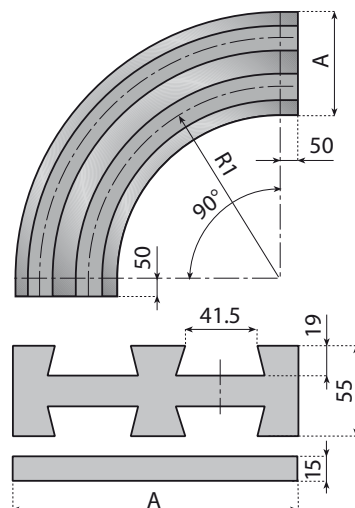
Chains ref.	Tracks	CODE	A	Radius R1	Pitch
K325	1	19106	100	500	90
	2	19107	190		
K450	1	19108	130	610	120
	2	19109	250		

Material: UHMW- PE, colour: black.

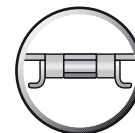
Material: Nolu-S, colour: light grey.

Supply: 1 piece.

COMPACT CORNER TRACKS for chains BEVEL chains series **879 - 880 - 881 - 8810**



For chains type see
Conveyor Chains - Belts
catalogue



For steel chains,
type:
881 • 8810



For plastic chains,
type:
879 • 880

NOW AVAILABLE IN

"NOLU-S"

MATERIAL !

[For further information see page 74 - 75](#)

FOR CORNER TRACKS IN NOLU-S MATERIAL, JUST ADD "NS" TO PART NUMBER. EXAMPLE CODE "19106BNS"

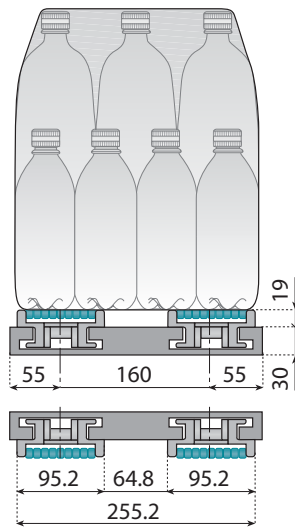
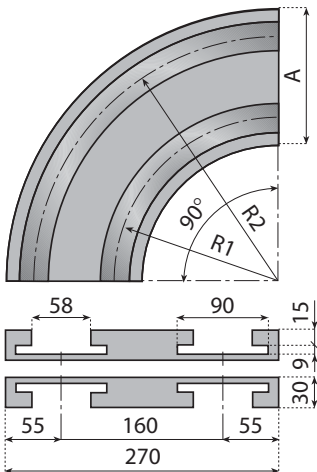
Chains ref.	Tracks	CODE	A	Radius R1	Pitch
K325	1	19106B	100	500	90
	2	19107B	190		
K450	1	19108B	130	610	120
	2	19109B	250		

Material: UHMW- PE, colour: black.

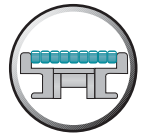
Material: Nolu-S, colour: light grey.

Supply: 2 pieces.

CORNER TRACKS for chains series **LBP 882 k375**



NOW AVAILABLE IN
"NOLU-S"
MATERIAL !



For further
information
see page 74 - 75

For chains type see
Conveyor Chains - Belts
catalogue

For plastic chains,
type:
LBP 882 K375

Material: UHMW- PE, colour: black.

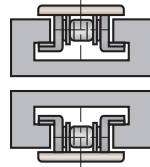
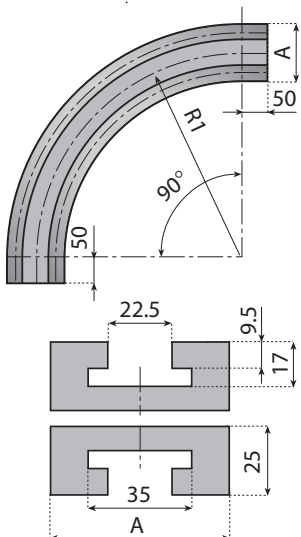
Material: Nolu-S, colour: light grey.

Supply: corner tracks are supplied complete with carry and return plates.

FOR CORNER TRACKS IN NOLU-S MATERIAL,
JUST ADD "NS" TO PART NUMBER. EXAMPLE CODE "19101NS"

FOR CHAINS WIDTH	CODE	A	TRACKS	R1	R2
K375	19101	270	2	700	860

COMPACT CORNER TRACKS for chains **1843**



NOW AVAILABLE IN
"NOLU-S"
MATERIAL !



For further
information
see page 74 - 75

For chains type see
Conveyor Chains - Belts
catalogue

For plastic chains,
type:
1843

Material: UHMW- PE, colour: black.

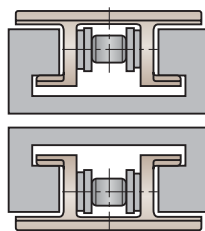
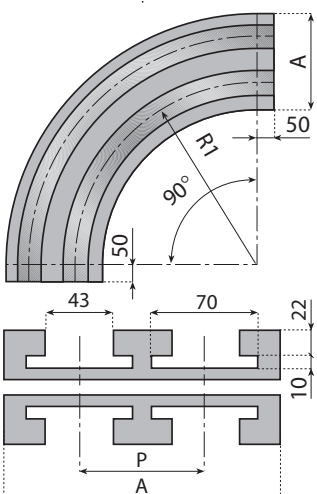
Material: Nolu-S, colour: light grey.

Supply: corner tracks are supplied complete with carry and return plates.

FOR CORNER TRACKS IN NOLU-S MATERIAL,
JUST ADD "NS" TO PART NUMBER. EXAMPLE CODE "19396NS"

FOR CHAINS WIDTH	CODE	A	Radius R1
K125	19396	50	300
	19397		500
K200	19396L	70	300
	19397L		500

COMPACT CORNER TRACKS for chains **1883**



NOW AVAILABLE IN
"NOLU-S"
MATERIAL !



For further
information
see page 74 - 75

For chains type see
Conveyor Chains - Belts
catalogue

For plastic chains,
type:
1883

Material: UHMW- PE, colour: black.

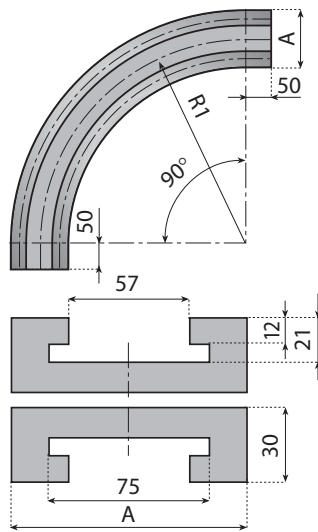
Material: Nolu-S, colour: light grey.

Supply: corner tracks are supplied complete with carry and return plates.

FOR CORNER TRACKS IN NOLU-S MATERIAL,
JUST ADD "NS" TO PART NUMBER. EXAMPLE CODE "19110NS"

Chains ref.	CODE	A	Radius R1	Pitch
K325	19110	100	750	90
	19111	190		

For multiflex chains **1701 TAB - 1701 TAB OP** **7000 TAB - 7001 TAB - 7005 TAB**



Now available in
"NOLU-S"
MATERIAL !

For further information see page 74 - 75



For chains type see Conveyor Chains - Belts catalogue



For plastic chains, type:
1701 TAB - 1701 TAB OP
7000 TAB - 7001 TAB
7005 TAB

Material: UHMW- PE, colour: black.

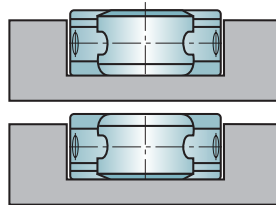
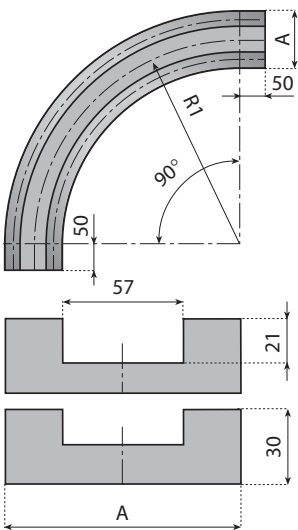
Material: Nolu-S, colour: light grey.

Supply: corner tracks are supplied complete with carry and return plates.

FOR CORNER TRACKS IN NOLU-S MATERIAL, JUST ADD "NS" TO PART NUMBER. EXAMPLE CODE "19390NS"

CHAINS REF.	CODE	A	Radius R1
K55	19390	100	250
	19391	100	500

For multiflex chains **1700 - 1702 (M)** **HMGK (FN-MS-P-M) - 7000 - 7001 - 7005**

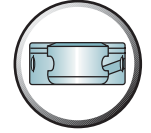


Now available in
"NOLU-S"
MATERIAL !

For further information see page 74 - 75



For chains type see Conveyor Chains - Belts catalogue



For plastic chains, type:
1700 - 1702(M)
HMGK (FN-MS-P-M)
7000 - 7001 - 7005

Material: UHMW- PE, colour: black.

Material: Nolu-S, colour: light grey.

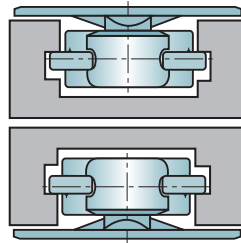
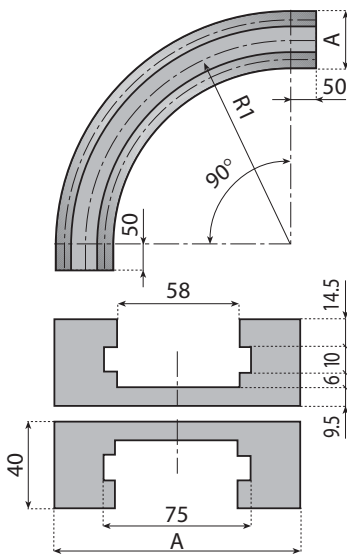
Supply: corner tracks are supplied complete with carry and return plates.

FOR CORNER TRACKS IN NOLU-S MATERIAL, JUST ADD "NS" TO PART NUMBER. EXAMPLE CODE "19113NS"

CHAINS REF.	CODE	A	Radius R1
K55	19113	100	250
	19114		500

CORNER TRACKS for crescent multiflex chains

HMGK 50 TAB H1 - HMGK 50 TAB H2



For chains type see
Conveyor Chains - Belts
catalogue



For plastic chains,
type:
HMGK 50 TAB H1
HMGK 50 TAB H2

NOW AVAILABLE IN
"NOLU-S"
MATERIAL !

For further
information
[see page 74 - 75](#)

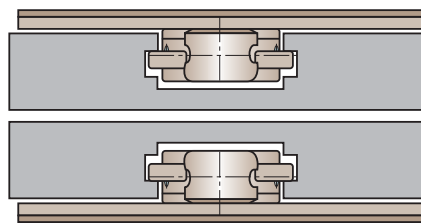
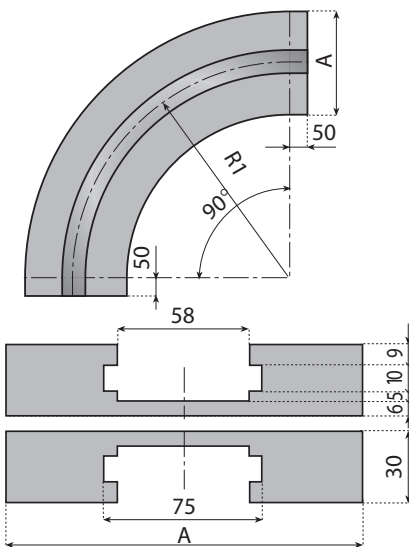
Material: UHMW-PE, colour: black.
Material: Nolu-S, colour: light grey.
Supply: corner tracks are supplied complete with carry and return plates.

**FOR CORNER TRACKS IN NOLU-S MATERIAL,
JUST ADD "NS" TO PART NUMBER. EXAMPLE CODE "19115NS"**

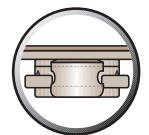
FOR CHAINS WIDTH	CODE	A	Radius R1
HMGK 50 TAB H1	19115	110	250
HMGK 50 TAB H2	19116	200	500

For overlapping top plate multiflex chain

HMGK 50 TAB P1 - HMGK 50 TAB P2



For chains type see
Conveyor Chains - Belts
catalogue



For plastic chains, type:
HMGK 50 TAB P1
HMGK 50 TAB P2

NOW AVAILABLE IN
"NOLU-S"
MATERIAL !

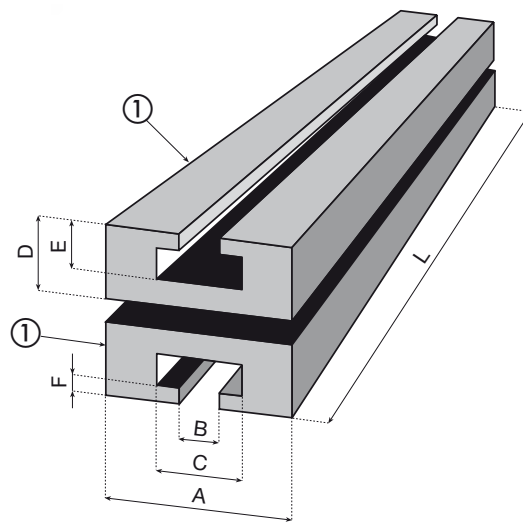
For further
information
[see page 74 - 75](#)

Material: UHMW-PE, colour: black.
Material: Nolu-S, colour: light grey.
Supply: 2 piece.

**FOR CORNER TRACKS IN NOLU-S MATERIAL,
JUST ADD "NS" TO PART NUMBER. EXAMPLE CODE "19117NS"**

FOR CHAINS WIDTH	CODE	A	Radius R1
HMGK 50 TAB P1	19117	200	550
HMGK 50 TAB P2	19118	270	

STRAIGHT TRACK SECTION for TAB chains 878 TAB - 879 TAB 880 TAB - 881 TAB - 881OTAB - 2250TAB - 2251 TAB



For chains type see
Conveyor Chains - Belts
catalogue



For steel chains, type:
815 TAB
881 TAB • 8810 TAB

NOW AVAILABLE IN
"NOLU-S"
MATERIAL !

For further
information
see page 74 - 75



For plastic chains, type:
878 TAB • 879 TAB
880 TAB
2250 TAB • 2251 TAB

FOR STRAIGHT TRACKS IN NOLU-S MATERIAL, JUST ADD "NS" TO PART NUMBER. EXAMPLE CODE

① STRAIGHT TRACK SECTION - 1 PIECE								
CHAINS REF.	CODE	A	B	C	D	E	F	L
K325	19350	100						
K450	19351	130	45	67	25	18	9.5	2000
K750	19352	200						

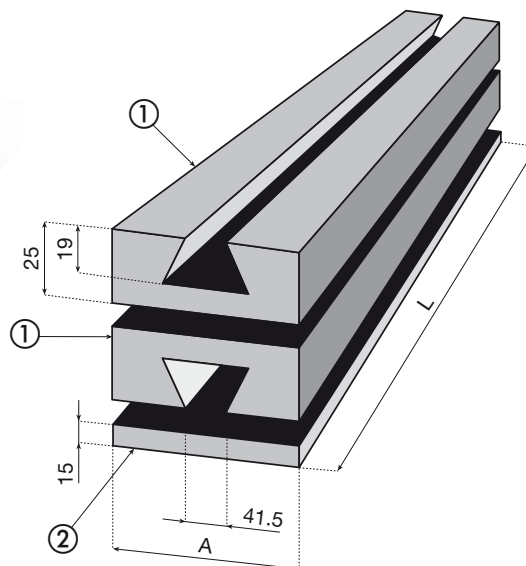
• More tracks available on request.

Material: UHMW- PE, colour: black.

Material: Nolu-S, colour: light grey.

Supply: 1 piece; straight tracks can be used as carry or return track.

STRAIGHT TRACK SECTION for BEVEL chains 879 - 880 - 881 - 8810



For chains type see
Conveyor Chains - Belts
catalogue



For steel chains,
type:
881 • 8810

NOW AVAILABLE IN
"NOLU-S"
MATERIAL !

For further
information
see page 74 - 75



For plastic chains, type:
879 • 880

FOR STRAIGHT TRACKS IN NOLU-S MATERIAL, JUST ADD "NS" TO PART NUMBER. EXAMPLE CODE "19370NS"

• More tracks available on request.

Material: UHMW- PE, colour: black.

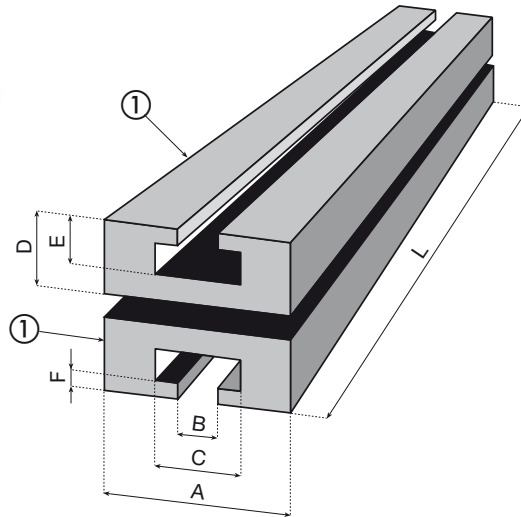
Material: Nolu-S, colour: light grey.

Supply: 1 piece; straight tracks can be used as carry or return track.
Support plate to be ordered separately.

① CARRY/RETURN TRACK SECTION - 1 PIECE			
CHAINS REF.	CODE	A	L
K325	19370	100	2000
K450	19372	130	
K750	19374	200	

② RETURN PLATE - 1 PIECE			
CHAINS REF.	CODE	A	L
K325	19371	100	2000
K450	19373	130	
K750	19375	200	

STRAIGHT TRACK SECTION for TAB chains series 882 TAB - LBP 882 TAB - 882 TAB VG



For chains type see
Conveyor Chains - Belts
catalogue



For steel chains, type:
882 TAB

Now AVAILABLE IN
"NOLU-S"
MATERIAL !

For further
information
see page 74 - 75

FOR STRAIGHT TRACKS IN NOLU-S MATERIAL, JUST ADD "NS" TO PART NUMBER. EXAMPLE CODE "19359NS"

① STRAIGHT TRACK SECTION - 1 PIECE								
CHAINS REF.	CODE	A	B	C	D	E	F	L
K375	19359	110	60	84	30	24	15	2000
K450	19360	130						
K750	19361	200						
K1000	19362	270						
K1200	19363	320						

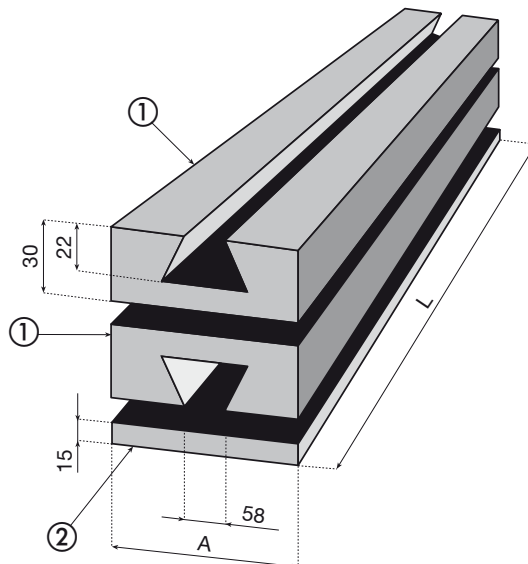
• More tracks available on request.

Material: UHMW- PE, colour: black.

Material: Nolu-S, colour: light grey.

Supply: 1 piece; straight tracks can be used as carry or return track.

STRAIGHT TRACK SECTION for BEVEL chains 882 BEVEL



For chains type see
Conveyor Chains - Belts
catalogue



For steel chains,
type:
882 BEVEL

Now AVAILABLE IN
"NOLU-S"
MATERIAL !

For further
information
see page 74 - 75

FOR STRAIGHT TRACKS IN NOLU-S MATERIAL, JUST ADD "NS" TO PART NUMBER. EXAMPLE CODE "19353NS"

• More tracks available on request.

Material: UHMW- PE, colour: black.

Material: Nolu-S, colour: light grey.

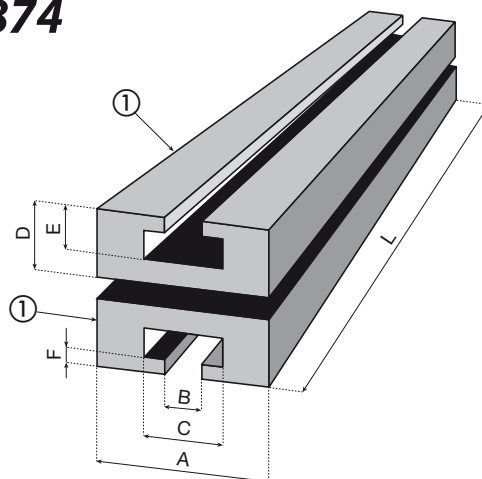
Supply: 1 piece; straight tracks can be used as carry or return track.

Support plate to be ordered separately.

① CARRY/RETURN TRACK SECTION - 1 PIECE			
CHAINS REF.	CODE	A	L
K450	19353	130	2000
K750	19354	200	
K1000	19355	270	

② RETURN PLATE - 1 PIECE			
CHAINS REF.	CODE	A	L
K450	19373	130	2000
K750	19375	200	
K1000	19358	270	

STRAIGHT TRACK SECTION for chains series 1863 - 1873 - 1874



For chains type see
Conveyor Chains - Belts
catalogue



For steel chains, type:
1874

Now AVAILABLE IN
"NOLU-S"
MATERIAL !



For plastic
chains, type:
1863 • 1873

For further
information
see page 74 - 75

FOR STRAIGHT TRACKS IN NOLU-S MATERIAL, JUST ADD "NS" TO PART NUMBER. EXAMPLE CODE "19406NS"

① STRAIGHT TRACK SECTION - 1 PIECE								
CHAINS REF.	CODE	A	B	C	D	E	F	L
K225	19406	75	35	67	35	29	19	2000
K325	19400	100		70				
K450	19401	130						
K600	19402	170						
K750	19403	200						
K1000	19404	270						
K1200	19405	320						

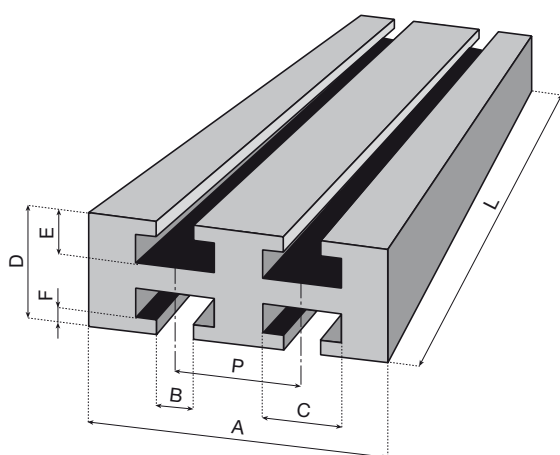
• More tracks available on request.

Material: UHMW- PE, colour: black.

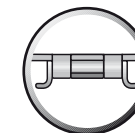
Material: Nolu-S, colour: light grey.

Supply: 1 piece; straight tracks can be used as carry or return track.

COMPACT STRAIGHT TRACK SECTION for TAB chains series 878 TAB - 879 TAB 880 TAB - 881 TAB - 8810 TAB - 2250 TAB - 2251 TAB

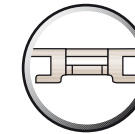


For chains type see
Conveyor Chains - Belts
catalogue



For steel chains, type:
881 TAB
8810 TAB

Now AVAILABLE IN
"NOLU-S"
MATERIAL !



For plastic chains,
type:
878 TAB • 879 TAB
880 TAB
2250 TAB • 2251 TAB

For further
information
see page 74 - 75

FOR STRAIGHT TRACKS IN NOLU-S MATERIAL, JUST ADD "NS" TO PART NUMBER. EXAMPLE CODE "19424NS"

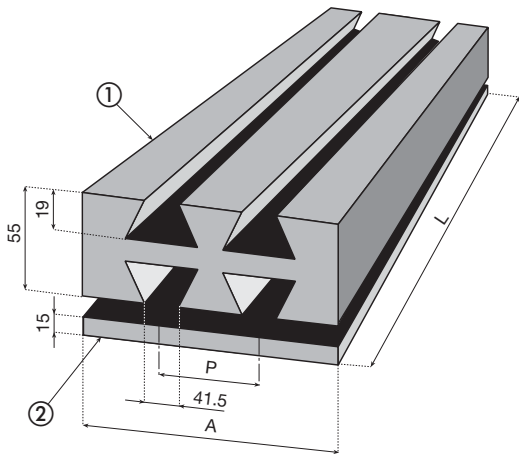
CHAIN REF.	CODE	TRACKS	A	B	C	D	E	F	P	L
K325	19424	1	100	45	67	55	18	9.5	90	2000
	19425		190							
K450	19426	2	130							
	19427		250						120	

Material: UHMW- PE, colour: black.

Material: Nolu-S, colour: light grey.

Supply: 1 piece.

COMPACT STRAIGHT TRACK SECTION for chains series 879 - 880 - 881 - 8810



For chains type see
Conveyor Chains - Belts
catalogue



For steel chains, type:
881 • 8810

NOW AVAILABLE IN
"NOLU-S"
MATERIAL !

For further
information
[see page 74 - 75](#)



For plastic
chains, type:
879 • 880

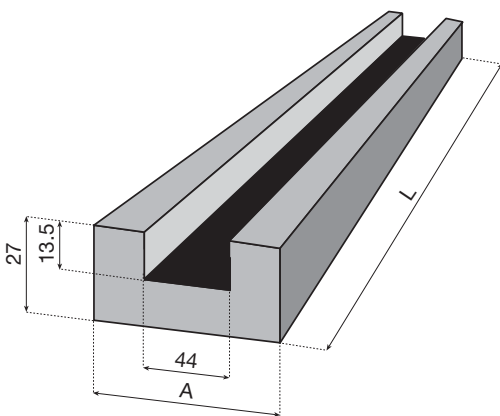
FOR STRAIGHT TRACKS IN NOLU-S MATERIAL, JUST ADD "NS" TO PART NUMBER. EXAMPLE CODE "19428NS"

Material: UHMW- PE, colour: black.
Material: Nolu-S, colour: light grey.
Supply: 1 piece; carry return sections and
return plates are supplied separately.

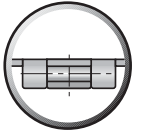
① CARRY RETURN - 1 PIECE				
CHAIN REF.	CODE	A	P	L
K325	19428	100	90	2000
	19429	190		
K450	19430	130	120	2000
	19431	250		

② RETURN PLATE 1 PIECE				
CHAIN REF.	CODE	A	P	L
K325	19371	100	90	2000
	19433	190		
K450	19373	130	120	2000
	19435	250		

STRAIGHT TRACK SECTION for MAGNETIC chains series 879 M - 879 M VG - 880 M - 881 M



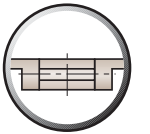
For chains type see
Conveyor Chains - Belts
catalogue



For steel chains, type:
881 M

NOW AVAILABLE IN
"NOLU-S"
MATERIAL !

For further
information
[see page 74 - 75](#)



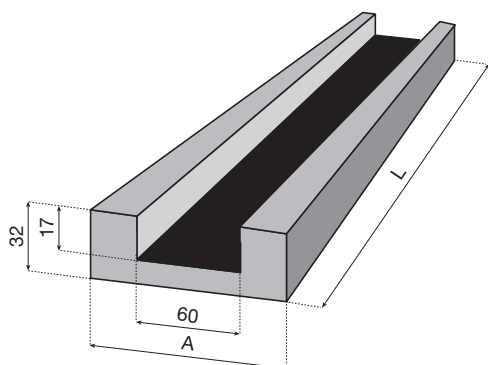
For plastic chains,
type:
879 M • 880 M

FOR STRAIGHT TRACKS IN NOLU-S MATERIAL, JUST ADD "NS" TO PART NUMBER. EXAMPLE CODE "19436NS"

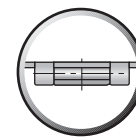
Material: UHMW- PE, colour: black.
Material: Nolu-S, colour: light grey.
Supply: 1 piece.

CHAIN REF.	CODE	A	L
K325	19436	100	2000
	19437	111	
K450	19438	129	
K750	19439	214	

STRAIGHT TRACK SECTION for MAGNETIC chains series 8857 M - 8857 M VG - 882 M - LBP 882 M - 882 M VG



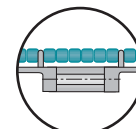
For chains type see
Conveyor Chains - Belts
catalogue



For steel chains, type:
8857 M

NOW AVAILABLE IN
"NOLU-S"
MATERIAL !

For further
information
[see page 74 - 75](#)



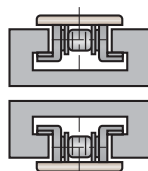
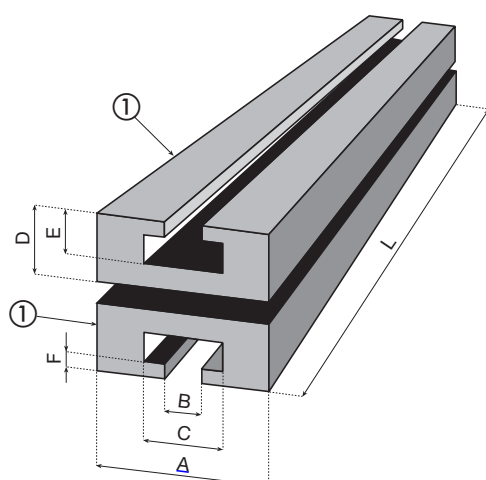
For plastic
chains, type:
882 M

FOR STRAIGHT TRACKS IN NOLU-S MATERIAL, JUST ADD "NS" TO PART NUMBER. EXAMPLE CODE "19440NS"

CHAIN REF.	CODE	A	L
K750	19440	200	2000
K1000	19441	270	
K1200	19442	320	

Material: UHMW- PE, colour: black.
Material: Nolu-S, colour: light grey.
Supply: 1 piece; carry return sections and
return plates are supplied separately.

STRAIGHT TRACK SECTION for TAB chains series 1843



For chains type see
Conveyor Chains - Belts
catalogue



For plastic chains, type:
1843

NOW AVAILABLE IN
"NOLU-S"
MATERIAL !

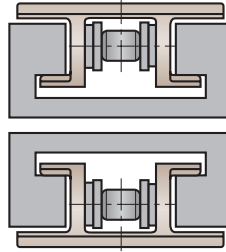
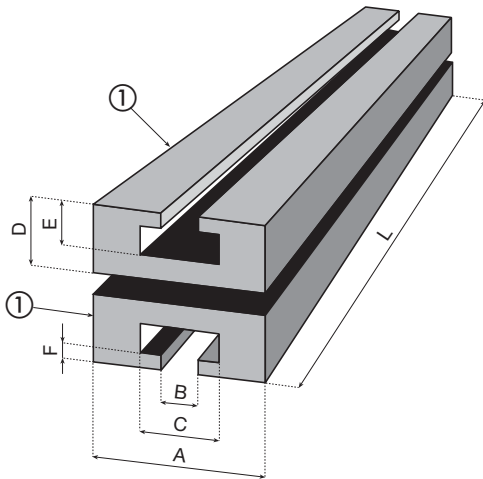
For further
information
[see page 74 - 75](#)

FOR STRAIGHT TRACKS IN NOLU-S MATERIAL, JUST ADD "NS" TO PART NUMBER. EXAMPLE CODE "19410NS"

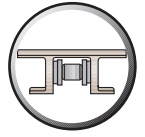
① STRAIGHT TRACK SECTION - 1 PIECE								
CHAIN REF.	CODE	A	B	C	D	E	F	L
K125	19410	50	22.5	35	25	17	9.5	2000
K200	19411	70	22.3					

Material: UHMW- PE, colour: black.
Material: Nolu-S, colour: light grey.
Supply: 1 piece.

STRAIGHT TRACK SECTION for chains series 1883



For chains type see
Conveyor Chains - Belts
catalogue



For plastic chains,
type:
1883

Now AVAILABLE IN
"NOLU-S"
MATERIAL !

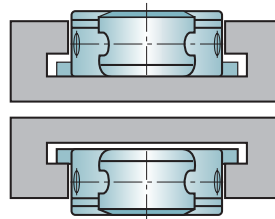
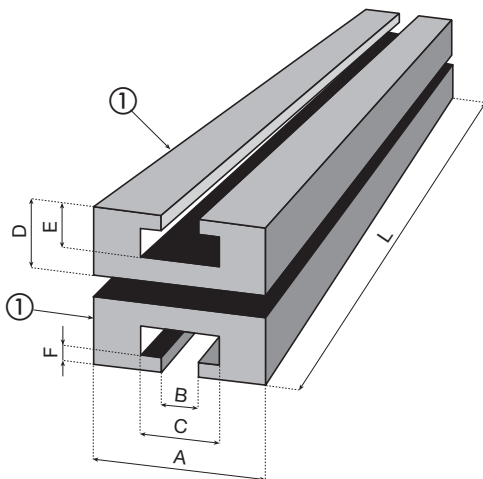
For further
information
see page 74 - 75

FOR STRAIGHT TRACKS IN NOLU-S MATERIAL, JUST ADD "NS" TO PART NUMBER. EXAMPLE CODE "19412NS"

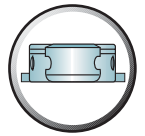
① STRAIGHT TRACK SECTION - 1 PIECE								
CHAIN REF.	CODE	A	B	C	D	E	F	L
K325	19412	100	44	70	40	32	22	2000

Material: UHMW- PE, colour: black.
Material: Nolu-S, colour: light grey.
Supply: 1 piece.

STRAIGHT TRACK SECTION for chains series 1701 TAB - 1701 TAB OP - 7000 TAB - 7001 TAB - 7005 TAB



For chains type see
Conveyor Chains - Belts
catalogue



For steel chains, type:
1701 TAB • 1701 TAB OP
7000 TAB • 7001 TAB
7005 TAB

Now AVAILABLE IN
"NOLU-S"
MATERIAL !

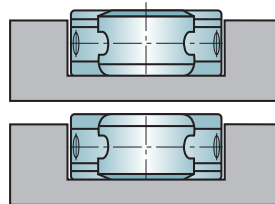
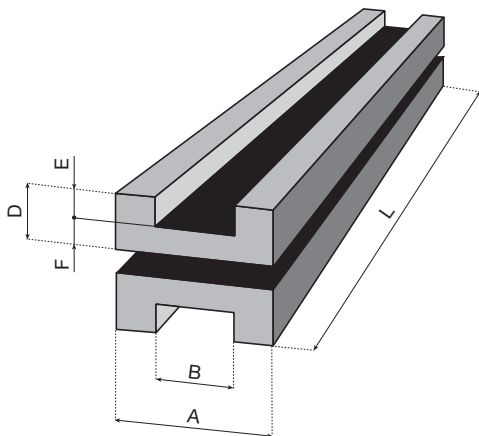
For further
information
see page 74 - 75

FOR STRAIGHT TRACKS IN NOLU-S MATERIAL, JUST ADD "NS" TO PART NUMBER. EXAMPLE CODE "19386NS"

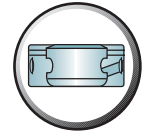
① STRAIGHT TRACK SECTION - 1 PIECE								
CHAIN REF.	CODE	A	B	C	D	E	F	L
K55	19386	100	58	75	30	21	12	2000

Material: UHMW- PE, colour: black.
Material: Nolu-S, colour: light grey.
Supply: 1 piece.

STRAIGHT TRACK SECTION for chains series 1700 - 1702 (M) - HMGK 50 (FN-MS-P-M) - 7000 - 7001 - 7005



For chains type see
Conveyor Chains - Belts
catalogue



For steel chains, type:
1700 • 1702 (M)
HMGK 50 (FN-MS-P-M)
7000 • 7001 • 7005

NOW AVAILABLE IN
"NOLU-S"
MATERIAL !

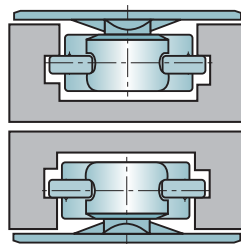
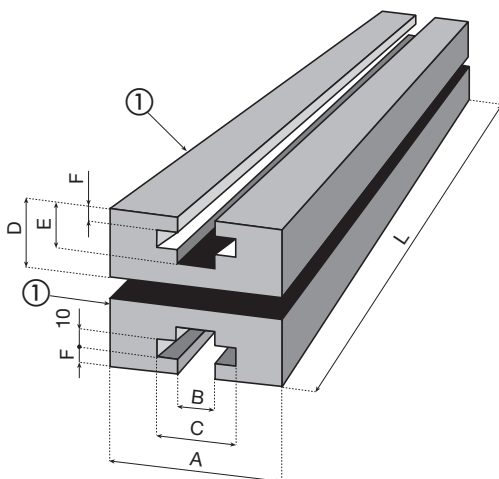
For further
information
see page 74 - 75

FOR STRAIGHT TRACKS IN NOLU-S MATERIAL, JUST ADD "NS" TO PART NUMBER. EXAMPLE CODE "19381NS"

① STRAIGHT TRACK SECTION - 1 PIECE							
CHAIN REF.	CODE	A	B	D	E	F	L
K55	19381	100	58	30	21	9	2000

Material: UHMW- PE, colour: black.
Material: Nolu-S, colour: light grey.
Supply: 1 piece.

STRAIGHT TRACK SECTION for chains series HMGK 50 TAB H1 - HMGK 50 TAB H2



For chains type see
Conveyor Chains - Belts
catalogue



For steel chains, type:
HMGK 50 TAB H1
HMGK 50 TAB H2

NOW AVAILABLE IN
"NOLU-S"
MATERIAL !

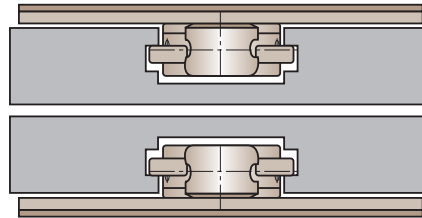
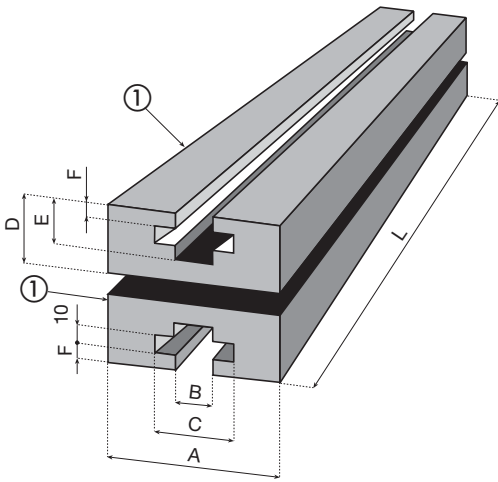
For further
information
see page 74 - 75

FOR STRAIGHT TRACKS IN NOLU-S MATERIAL, JUST ADD "NS" TO PART NUMBER. EXAMPLE CODE "19420NS"

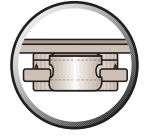
① STRAIGHT TRACK SECTION - 1 PIECE								
CHAIN REF.	CODE	A	B	C	D	E	F	L
HMGK 50 TAB H1	19420	110	58	75	40	30.5	14.5	2000
HMGK 50 TAB H2	19421	200						

Material: UHMW- PE, colour: black.
Material: Nolu-S, colour: light grey.
Supply: 1 piece.

STRAIGHT TRACK SECTION for overlapping top plate multiflex chains series **HMGK 50 TAB P1 - HMGK 50 TAB P2**



For chains type see
Conveyor Chains - Belts
catalogue



For steel chains, type:
HMGK 50 TAB P1
HMGK 50 TAB P2

NOW AVAILABLE IN
"NOLU-S"
MATERIAL !

[For further information see page 74 - 75](#)

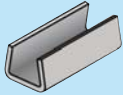
FOR STRAIGHT TRACKS IN NOLU-S MATERIAL, JUST ADD "NS" TO PART NUMBER. EXAMPLE CODE "19422NS"

Material: UHMW- PE, colour: black.
Material: Nolu-S, colour: light grey.
Supply: 1 piece.

① STRAIGHT TRACK SECTION - 1 PIECE								
CHAIN REF.	CODE	A	B	C	D	E	F	L
HMGK 50 TAB P1	19422	200	58	75	30	24	9	2000
HMGK 50 TAB P2	19423	270						

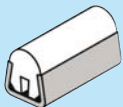
Conical side guides

The conical guide rail incorporates two outstanding materials: stainless steel and UHMW. The stainless steel sheath provides rigid streamlined support for heavy loads at any speed, plus a solid connecting point for holding the rail in place with clamps and brackets. The UHMW guiding surface is available in a wide selection of shapes. The very low friction characteristics of UHMW allow containers to move at high speed with a minimum of drag, container damage, and noise. Materials are approved by the FDA and accepted for use in USDA inspected facilities.



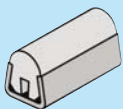
METAL PROFILE

Metal profile is typically in stainless steel AISI 304 (AISI 316 on the request), used for its excellent resistance to corrosion and long lasting attractive appearance. Galvanized steel can be ordered as an economical alternative to stainless steel.



STANDARD VERSION

Natural UHMW - The manufacturing process allows the use of UHMW without additives or other processing chemicals. The result is a material that resists abrasion better, is more color stable (less prone to yellowing) and of uniform consistency. Available in two colors black and white.



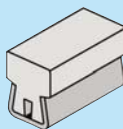
SELF LUBRICATED VERSION

Nolu-S UHMW - Battleship grey color. A lubricant system is added to our standard UHMW during processing to give it reduced friction while maintaining all other physical properties. The coefficient of friction Nolu-S material is ca 35% lower as standard. The PV-limit for chain is at least 2 times the standard value for UHMW.



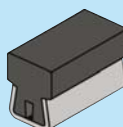
VERSION WITH IMPROVED ELECTROSTATIC CONDUCTIVITY

Static Dissipating UHMW - Special formulation retains the low friction and wear characteristics of UHMW while effectively reducing problems caused by static. Color: black.



VERSION FOR HIGH TEMPERATURE

High temperature. Special developed material to operate under high temperatures. The HT profiles are designed to operate under a continuous temperature of maximum 270°C. Typical applications for HT profiles are: Ovens, cookers, hot fill area, steam chambers, furnace discharge, retorts, fryers, shrink tunnels, pasturizers and steam boxes.



VERSION WITH NYLATRON INSERT

For applications such as high conveyor speeds, heavy loads or abrasive conditions. Nylatron can be used at continuous temperatures up to 93°C.



Zinc plated steel



AISI 304
Stainless steel



Polyethylene
UHMW



Nolu-S



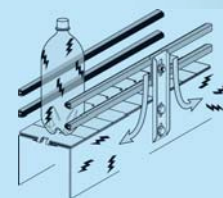
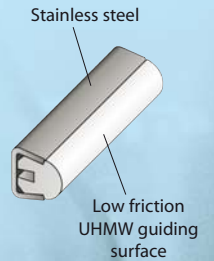
Polyethylene
UHMW
Antistatic



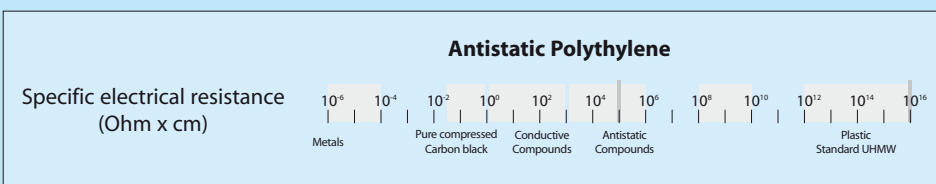
For use in
high temperatures



Nylatron



Static dissipating UHMW rail provides a conductive pathway to disperse the buildup of static electricity.



SPECIFICATIONS	HI-TEMP MATERIAL	MATERIAL PROFILE
Tensile Strength - ASTM D-1457 (N/mm ²)	12.6	500
Deformation under load - ASTM D-621 (%)	3.8	-
Coefficient of thermal expansion - ASTM D-696 mm/mm/°Cx10 ⁻⁵)	7.47 (37°-120°C) 12.62 (120°-150°C) 7.47 (150°-270°C)	-
Coefficient of friction - ASTM D-1894	0.04	-
Continuous service temperature	270°C	-

Conical side guides



CONICAL SIDE GUIDES

Material:

Extruded ultra high molecular weight polyethylene.
Max. continuous service temperature in air 90° C.
Water absorption coefficient = 0.
Sheath material see the table.

Notes:

These USDA-approved designs eliminate the chance of contamination by sealing out liquids and debris. As a result, they make it easy to maintain a clean, sanitary surface.

Preferred type, readily available (codes marked in red)



Nolu-S



AISI 304
Stainless steel



Accessories



Zinc plated steel



Polyethylene
UHMW



Polyethylene
antistatic
UHMW

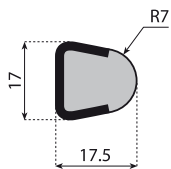
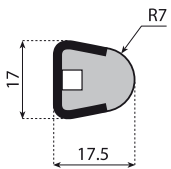


Teflon alloy



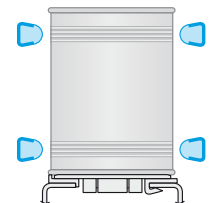
Consult pages
133 → 137 for
bending machines

STANDARD VERSIONS



SOLID VERSIONS

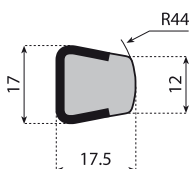
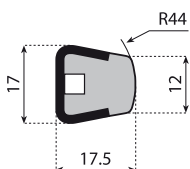
Code			L	Material	Metal profile material	
Standard version	Ref.					
19019	-		3 m	PE		White
19019L	-		6 m	PE		White
19019V	-		3 m	PE		Green
19019VL	-		6 m	PE		Green
19020	-		3 m	PE	SS 304	Black
19020L	-		6 m	PE	SS 304	Black
19020AS	VG-SSR-SD-3M		3 m	PE-as		Black
19020ASL	VG-SSR-SD-6M		6 m	PE-as		Black
19S00145NS-3M	VG-SSR-NS-3M		3 m	Nolu-S		Light Grey
19S00145NS-6M	VG-SSR-NS-6M		6 m	Nolu-S		Light Grey
19021	-		3 m	PE		White
19021L	-		6 m	PE		White
19021V	-		3 m	PE	ZN	Green
19021VL	-		6 m	PE	ZN	Green
19022	-		3 m	PE		Black
19022L	-		6 m	PE		Black
Solid version						
19S00146-3M	VG-SSRS-3M		3 m	PE	SS 304	White
19S00146-6M	VG-SSRS-6M		6 m	PE	SS 304	White



CONICAL SIDE GUIDES

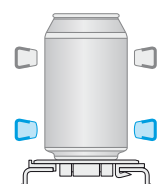
Weight: 0.60 Kg/m
Packaging: 30 meters

STANDARD VERSIONS



SOLID VERSIONS

Code			L	Material	Metal profile material	
Standard version	Ref.					
19023	-		3 m	PE		White
19023L	-		6 m	PE		White
19024	-		3 m	PE		Black
19024L	-		6 m	PE	SS 304	Black
19024AS	VG-SSM-SD-3M		3 m	PE-as		Black
19024ASL	VG-SSM-SD-6M		6 m	PE-as		Black
19S00129NS-3M	VG-SSM-NS-3M		3 m	Nolu-S		Light Grey
19S00129NS-6M	VG-SSM-NS-6M		6 m	Nolu-S		Light Grey
19025	-		3 m	PE		White
19025L	-		6 m	PE	ZN	White
19026	-		3 m	PE		Black
19026L	-		6 m	PE		Black
Solid version						
19S00130-3M	VG-SSMS-3M		3 m	PE	SS 304	White
19S00130-6M	VG-SSMS-6M		6 m	PE	SS 304	White



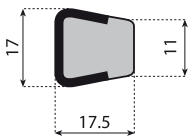
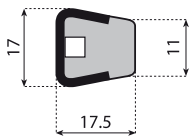
CONICAL SIDE GUIDES

Weight: 0.60 Kg/m
Packaging: 30 meters

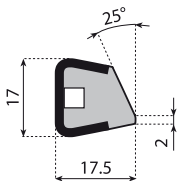
Conical side guides

Preferred type, readily available (codes marked in red)

STANDARD VERSIONS



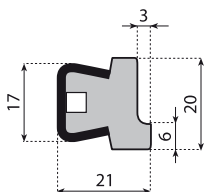
SOLID VERSIONS



STANDARD VERSIONS

Weight: 0.55 Kg/m

Packaging: 30 meters



STANDARD VERSIONS

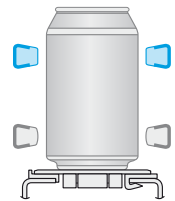
Weight: 0.62 Kg/m

Packaging: 30 meters

Code		Ref.	L	Material	Metal profile material	Finish
Standard version						
19027	-	-	3 m	PE	-	White
19027L	-	-	6 m	PE	-	White
19028	-	-	3 m	PE	-	Black
19028L	-	-	6 m	PE	-	Black
19028AS	VG-SSF-SD-3M	-	3 m	PE-as	SS 304	Black
19028ASL	VG-SSF-SD-6M	-	6 m	PE-as	-	Black
19S00115NS-3M	VG-SSF-NS-3M	-	3 m	Nolu-S	-	Light Grey
19S00115NS-6M	VG-SSF-NS-6M	-	6 m	Nolu-S	-	Light Grey
19S00115HT-3M	VG-SSF-HT-3M	-	3 m	HT	-	-
19029	-	-	3 m	PE	-	White
19029L	-	-	6 m	PE	ZN	White
19030	-	-	3 m	PE	-	Black
19030L	-	-	6 m	PE	-	Black

Solid version

19S00116-3M	VG-SSFS-3M	-	3 m	PE	SS 304	White
19S00116-6M	VG-SSFS-6M	-	6 m	PE	-	White

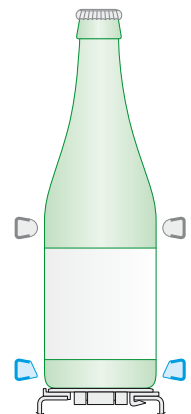


CONICAL SIDE GUIDES

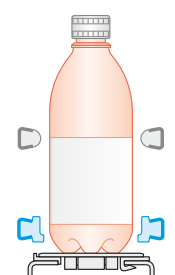
Weight: 0.60 Kg/m

Packaging: 30 meters

Code		Ref.	L	Material	Metal profile material	Finish
Standard version						
19065	-	-	3 m	-	-	White
19065L	-	-	6 m	PE	SS 304	White
19066	-	-	3 m	-	-	Black
19066L	-	-	6 m	-	-	Black
190249	-	-	3 m	-	-	White
190249L	-	-	6 m	PE	ZN	White
190250	-	-	3 m	-	-	Black
190250L	-	-	6 m	-	-	Black

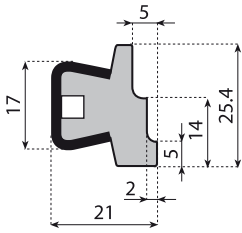


Code		Ref.	L	Material	Metal profile material	Finish
Standard version						
19063W	-	-	3 m	-	-	White
19063WL	-	-	6 m	PE	SS 304	White
19063	-	-	3 m	-	-	Black
19063L	-	-	6 m	-	-	Black
190251	-	-	3 m	-	-	White
190251L	-	-	6 m	PE	ZN	White
190252	-	-	3 m	-	-	Black
190252L	-	-	6 m	-	-	Black



Conical side guides

 Preferred type, readily available (codes marked in red)

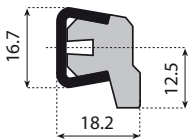
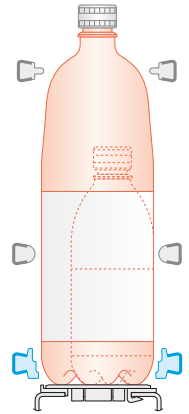


STANDARD VERSIONS

Weight: 0.72 Kg/m

Packaging: 30 meters

Code		L	Material	Metal profile material	
Standard version	Ref.				
190253	-	3 m			White
190253L	-	6 m	PE	SS 304	White
190254	-	3 m			Black
190254L	-	6 m			Black
190255	-	3 m			White
190255L	-	6 m	PE	ZN	White
190256	-	3 m			Black
190256L	-	6 m			Black

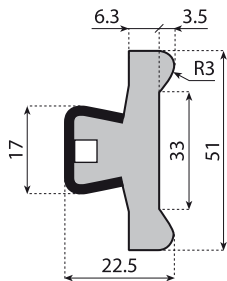
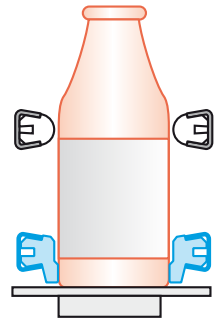


STANDARD VERSIONS

Weight: 0.65 Kg/m

Packaging: 30 meters

Code		L	Material	Metal profile material	
Standard version	Ref.				
19S00138-3M	VG-SSMT-3M	3 m	PE		White
19S00138-6M	VG-SSMT-6M	6 m	PE	SS 304	White
19S00138SD-3M	VG-SSMT-SD-3M	3 m	PE-as		Black
19S00138SD-6M	VG-SSMT-SD-6M	6 m	PE-as		Black

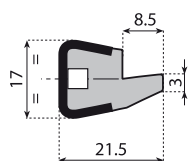
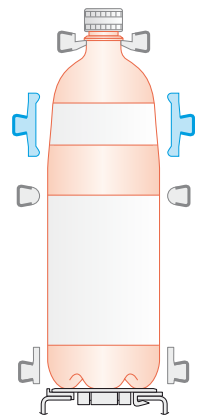


STANDARD VERSIONS

Weight: 1.05 Kg/m

Packaging: 30 meters

Code		L	Material	Metal profile material	
Standard version	Ref.				
19062	-	3 m			White
19062L	-	6 m	PE	SS 304	White
190257	-	3 m			Black
190257L	-	6 m			Black
190258	-	3 m			White
190258L	-	6 m	PE	ZN	White
190259	-	3 m			Black
190259L	-	6 m			Black

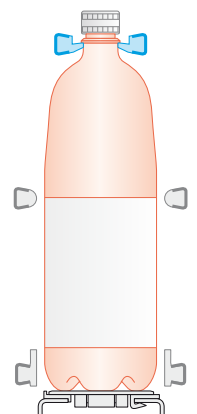


STANDARD VERSIONS

Weight: 0.62 Kg/m

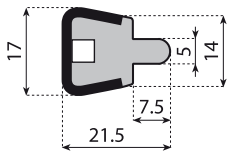
Packaging: 30 meters

Code		L	Material	Metal profile material	
Standard version	Ref.				
19042	-	3 m			White
19042L	-	6 m	PE	SS 304	White
19043	-	3 m			Black
19043L	-	6 m			Black
190260	-	3 m			White
190260L	-	6 m	PE	ZN	White
190261	-	3 m			Black
190261L	-	6 m			Black



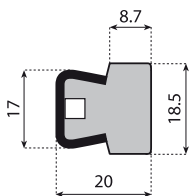
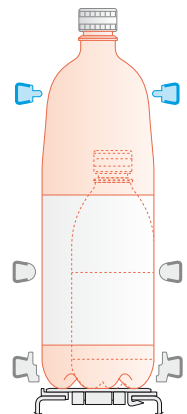
Conical side guides

Preferred type, readily available (codes marked in red)



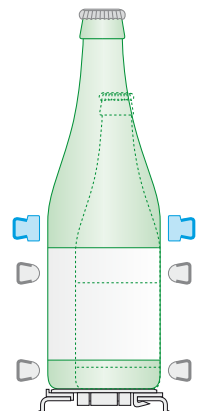
STANDARD VERSIONS
Weight: 0.62 Kg/m
Packaging: 30 meters

Code		L	Material	Metal profile material	Paint
Standard version	Ref.				
19099	-	3 m			White
19099L	-	6 m	PE	SS 304	White
190262	-	3 m			Black
190262L	-	6 m			Black
190263	-	3 m			White
190263L	-	6 m	PE	ZN	White
190264	-	3 m			Black
190264L	-	6 m			Black

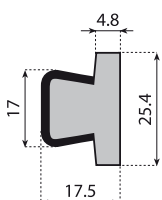
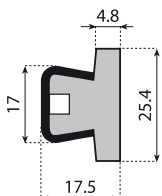


STANDARD VERSIONS
Weight: 0.68 Kg/m
Packaging: 30 meters

Code		L	Material	Metal profile material	Paint
Standard version	Ref.				
19057	-	3 m	PE		White
19057L	-	6 m	PE		White
19058	-	3 m	PE		Black
19058L	-	6 m	PE	SS 304	Black
19058AS	VG-SST-.75-SD-3M	3 m	PE-as		Black
19058ASL	VG-SST-.75-SD-6M	6 m	PE-as		Black
19S00153N-3M	VG-SST-N-.75-3M	3 m	Nylatron		Black
190200	-	3 m	PE		White
190200L	-	6 m	PE	ZN	White
190201	-	3 m	PE		Black
190201L	-	6 m	PE		Black

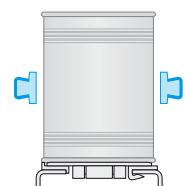


STANDARD VERSIONS



SOLID VERSIONS

Code		L	Material	Metal profile material	Paint
Standard version	Ref.				
190212	-	3 m	PE		White
190212L	-	6 m	PE		White
190213	-	3 m	PE		Black
190213L	-	6 m	PE	SS 304	Black
190213AS	VG-SSWF-SD-3M	3 m	PE-as		Black
190213ASL	VG-SSWF-SD-6M	6 m	PE-as		Black
19S00187NS-3M	VG-SSWF-NS-3M	3 m	Nolu-S		Light Grey
19S00187NS-6M	VG-SSWF-NS-6M	6 m	Nolu-S		Light Grey
190214	-	3 m	PE		White
190214L	-	6 m	PE	ZN	White
190215	-	3 m	PE		Black
190215L	-	6 m	PE		Black



Solid version		L	Material	Metal profile material	Paint
Standard version	Ref.				
19S00174-3M	VG-SSWFS-3M	3 m	PE		White
19S00174-6M	VG-SSWFS-6M	6 m	PE	SS 304	White

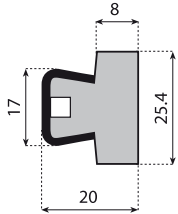
CONICAL SIDE GUIDES

Weight: 0.72 Kg/m
Packaging: 30 meters

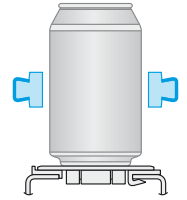
Conical side guides

 Preferred type, readily available (codes marked in red)

STANDARD VERSIONS



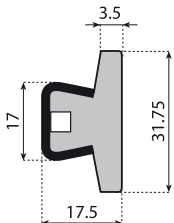
Code		L	Material	Metal profile material	Paint
Standard version	Ref.				
19031	-	3 m	PE	SS 304	White
19031L	-	6 m	PE		White
19032	-	3 m	PE		Black
19032L	-	6 m	PE		Black
19032AS	VG-SST-1.00-SD-3M	3 m	PE-as		Black
19032ASL	VG-SST-1.00-SD-6M	6 m	PE-as		Black
19S00154N-3M	VG-SST-N-1.00-3M	3 m	Nylatron	Black	
190202	-	3 m	PE	ZN	White
190202L	-	6 m	PE		White
190203	-	3 m	PE		Black
190203L	-	6 m	PE		Black



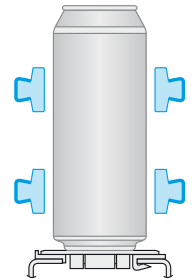
CONICAL SIDE GUIDES

Weight: 0.78 Kg/m
Packaging: 30 meters

STANDARD VERSIONS

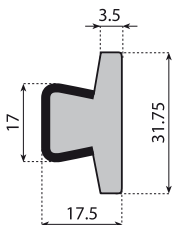


Code		L	Material	Metal profile material	Paint
Standard version	Ref.				
190232	-	3 m	PE	SS 304	White
190232L	-	6 m	PE		White
190233	-	3 m	PE		Black
190233L	-	6 m	PE	Black	
190234	-	3 m	PE	ZN	White
190234L	-	6 m	PE		White
190235	-	3 m	PE		Black
190235L	-	6 m	PE		Black



CONICAL SIDE GUIDES

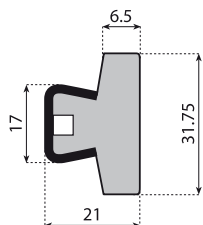
Weight: 0.76 Kg/m
Packaging: 30 meters



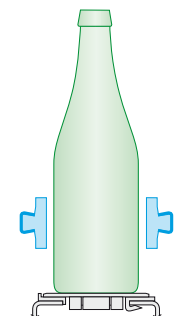
Solid version					
Standard version	Ref.	L	Material	Metal profile material	Paint
19S00175-3M	VG-SSWFS-1.25-3M	3 m	PE	SS 304	White
19S00175-6M	VG-SSWFS-1.25-6M	6 m	PE	SS 304	White

SOLID VERSIONS

STANDARD VERSIONS

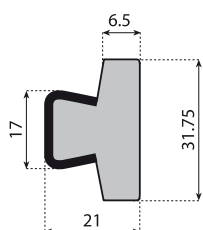


Code		L	Material	Metal profile material	Paint
Standard version	Ref.				
19033	-	3 m	PE	SS 304	White
19033L	-	6 m	PE		White
19034	-	3 m	PE		Black
19034L	-	6 m	PE		Black
19034AS	VG-SST-1.25-SD-3M	3 m	PE-as		Black
19034ASL	VG-SST-1.25-SD-6M	6 m	PE-as		Black
19S00164NS-3M	VG-SST-1.25-NS-3M	3 m	Nolu-S	Light Grey	
19S00164NS-6M	VG-SST-1.25-NS-6M	6 m	Nolu-S	Light Grey	
19S00164N-3M	VG-SST-N-1.25-3M	3 m	Nylatron	Black	
19S00164HT-3M	VG-SST-HT-1.25-3M	3 m	HT	-	
190204	-	3 m	PE	ZN	White
190204L	-	6 m	PE		White
190205	-	3 m	PE		Black
190205L	-	6 m	PE		Black



CONICAL SIDE GUIDES

Weight: 0.86 Kg/m
Packaging: 30 meters

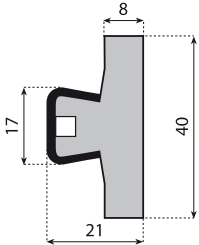


Solid version					
Standard version	Ref.	L	Material	Metal profile material	Paint
19S00165-3M	VG-SSTS-1.25-3M	3 m	PE	SS 304	White
19S00165-6M	VG-SSTS-1.25-6M	6 m	PE	SS 304	White

SOLID VERSIONS

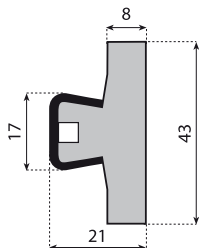
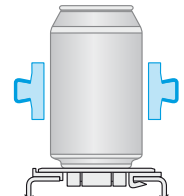
Conical side guides

Preferred type, readily available (codes marked in red)



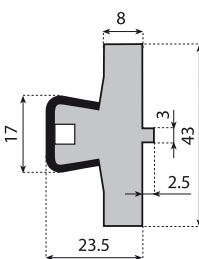
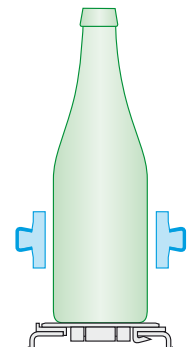
CONICAL SIDE GUIDES
Weight: 0.90 Kg/m
Packaging: 30 meters

Code		Ref.	L	Material	Metal profile material	
Standard version						
19059	-	-	3 m	PE		White
19059L	-	-	6 m	PE		White
19060	-	-	3 m	PE		Black
19060L	-	-	6 m	PE		Black
19060AS	VG-SST-1.60-SD-3M	-	3 m	PE-as	SS 304	Black
19060ASL	VG-SST-1.60-SD-6M	-	6 m	PE-as		Black
19S00166NS-3M	VG-SST-1.60-NS-3M	-	3 m	Nolu-S		Light Grey
19S00166NS-6M	VG-SST-1.60-NS-6M	-	6 m	Nolu-S		Light Grey
19S00166N-3M	VG-SST-N-1.60-3M	-	3 m	Nylatron		Black
190206	-	-	3 m	PE		White
190206L	-	-	6 m	PE	ZN	White
190207	-	-	3 m	PE		Black
190207L	-	-	6 m	PE		Black



STANDARD VERSIONS
Weight: 0.94 Kg/m
Packaging: 30 meters

Code		Ref.	L	Material	Metal profile material	
Standard version						
190216	-	-	3 m			White
190216L	-	-	6 m	PE	SS 304	White
190217	-	-	3 m			Black
190217L	-	-	6 m			Black
190218	-	-	3 m			White
190218L	-	-	6 m	PE	ZN	White
190219	-	-	3 m			Black
190219L	-	-	6 m			Black



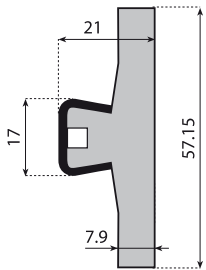
STANDARD VERSIONS
Weight: 0.95 Kg/m
Packaging: 30 meters

Code		Ref.	L	Material	Metal profile material	
Standard version						
19038	-	-	3 m	PE		White
19038L	-	-	6 m	PE		White
19039	-	-	3 m	PE	SS 304	Black
19039L	-	-	6 m	PE		Black
19039AS	VG-SST-1.70-SD-3M	-	3 m	PE-as		Black
19039ASL	VG-SST-1.70-SD-6M	-	6 m	PE-as		Black
190208	-	-	3 m	PE		White
190208L	-	-	6 m	PE	ZN	White
190209	-	-	3 m	PE		Black
190209L	-	-	6 m	PE		Black



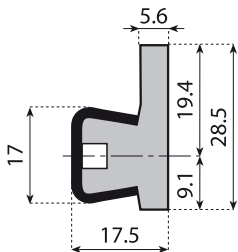
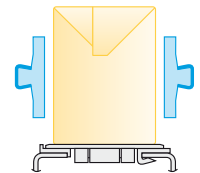
Conical side guides

 Preferred type, readily available (codes marked in red)



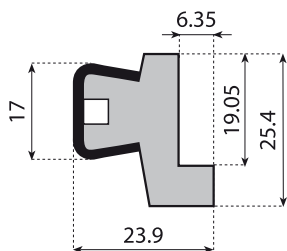
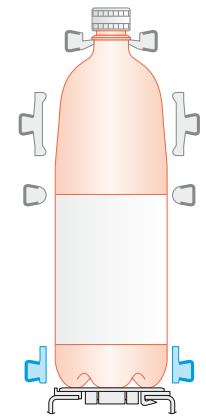
STANDARD VERSIONS
Weight: 1.1 Kg/m
Packaging: 30 meters

Code		L	Material	Metal profile material	Paint
Standard version	Ref.				
190220	-	3 m	PE		White
190220L	-	6 m	PE		White
190221	-	3 m	PE		Black
190221L	-	6 m	PE	SS 304	Black
190221AS	VG-SST-2.25-SD-3M	3 m	PE-as		Black
190221ASL	VG-SST-2.25-SD-6M	6 m	PE-as		Black
19S00167NS-3M	VG-SST-2.25-NS-3M	3 m	Nolu-S		Light Grey
19S00167NS-6M	VG-SST-2.25-NS-6M	6 m	Nolu-S		Light Grey
190222	-	3 m	PE		White
190222L	-	6 m	PE		White
190223	-	3 m	PE	ZN	Black
190223L	-	6 m	PE		Black



STANDARD VERSIONS
Weight: 0.72 Kg/m
Packaging: 30 meters

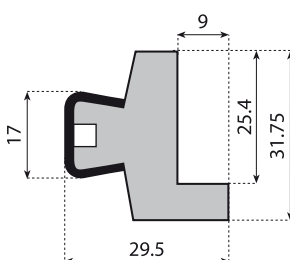
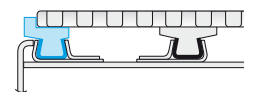
Code		L	Material	Metal profile material	Paint
Standard version	Ref.				
190236	-	3 m			White
190236L	-	6 m	PE	SS 304	White
190237	-	3 m			Black
190237L	-	6 m			Black
190238	-	3 m			White
190238L	-	6 m	PE	ZN	White
190239	-	3 m	PE		Black
190239L	-	6 m			Black



STANDARD VERSIONS
Weight: 0.15 Kg/m
Packaging: 30 meters

Code		L	Material	Metal profile material	Paint
Standard version	Ref.				
190228	-	3 m			White
190228L	-	6 m	PE	SS 304	White
190229	-	3 m			Black
190229L	-	6 m			Black
190230	-	3 m			White
190230L	-	6 m	PE	ZN	White
190231	-	3 m	PE		Black
190231L	-	6 m			Black

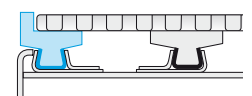
Use: wear strip and side guide for modular wide belts



STANDARD VERSIONS
Weight: 1.15 Kg/m
Packaging: 30 meters

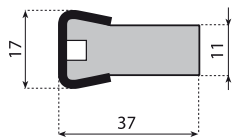
Code		L	Material	Metal profile material	Paint
Standard version	Ref.				
190224	-	3 m	PE		White
190224L	-	6 m	PE		White
190225	-	3 m	PE	SS 304	Black
190225L	-	6 m	PE		Black
19S00123NS-3M	VG-SSLT-1.0X38-NS-3M	3 m	Nolu-S		Light Grey
19S00123NS-6M	VG-SSLT-1.0X38-NS-6M	6 m	Nolu-S		Light Grey
190226	-	3 m	PE		White
190226L	-	6 m	PE	ZN	White
190227	-	3 m	PE		Black
190227L	-	6 m	PE		Black

Use: wear strip and side guide for modular wide belts



Conical side guides

Preferred type, readily available (codes marked in red)



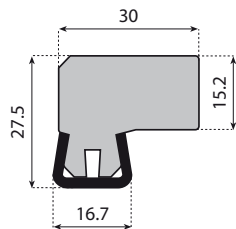
STANDARD VERSIONS

Weight: 0.80 Kg/m

Packaging: 30 meters

Code		L	Material	Metal profile material	Paint
Standard version	Ref.				
19040	-	3 m			White
19040L	-	6 m	PE	SS 304	White
19041	-	3 m			Black
19041L	-	6 m			Black
190210	-	3 m			White
190210L	-	6 m	PE	ZN	White
190211	-	3 m			Black
190211L	-	6 m			Black

Use: ISO 12B1 European series roller chains

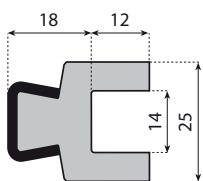
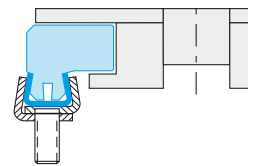


STANDARD VERSIONS

Weight: 1.2 Kg/m

Packaging: 30 meters

Code		L	Material	Metal profile material	Paint
Standard version	Ref.				
19500181-3M	VG-SSTG-02-3M	3 m			White
19500181-6M	VG-SSTG-02-6M	6 m			White
19500181B-3M	VG-SSTG-02-B-3M	3 m	PE	SS 304	Black
19500181B-6M	VG-SSTG-02-B-6M	6 m			Black

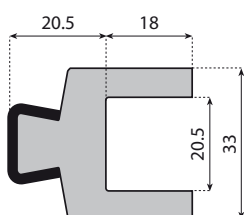
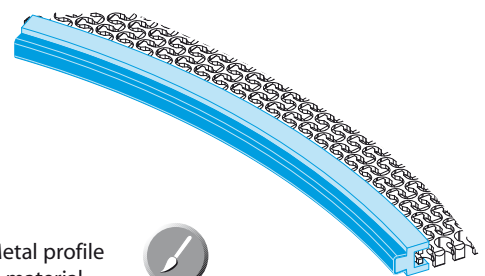


STANDARD VERSIONS

Weight: 1.3 Kg/m

Packaging: 30 meters

Code		L	Material	Metal profile material	Paint
Standard version	Ref.				
19500182NS-3M	VG-SSUT-1.00-S-3M	3 m	Nolu-S	SS 304	Light Grey



STANDARD VERSIONS

Weight: 1.5 Kg/m

Packaging: 30 meters

Code		L	Material	Metal profile material	Paint
Standard version	Ref.				
19500183NS-3M	VG-SSUT-1.30-S-3M	3 m	Nolu-S	SS 304	Light Grey

PolyGlide™

 Preferred type, readily available (codes marked in red)

POLYGLIDE™

Guide rail for use with plastics such as PET and polypropylene.

PolyGlide™ rail is designed to be an economical solution to guiding plastic containers, cartons, and conveyor belting. PolyGlide™ is constructed using 304 stainless steel as the guide contact surface and can be used with all standard Valu Guide rail clips and clamps.

PolyGlide reduces static buildup.

Plastic packaging and PET bottles can generate high levels of static buildup as they travel along a conveyor. PolyGlide provides static buildup with a pathway to the surrounding conveyor frame where it can dissipate. Conveyor frame may need to be grounded.

PolyGlide can be used in higher operating temperatures.

PolyGlide can withstand harsh environments such as: Steam chambers, furnace discharge, steam boxes, shrink tunnels, pasteurizers, hot fill area, ovens, cookers, fryers.



AISI 304
Stainless steel



Saves time
and money



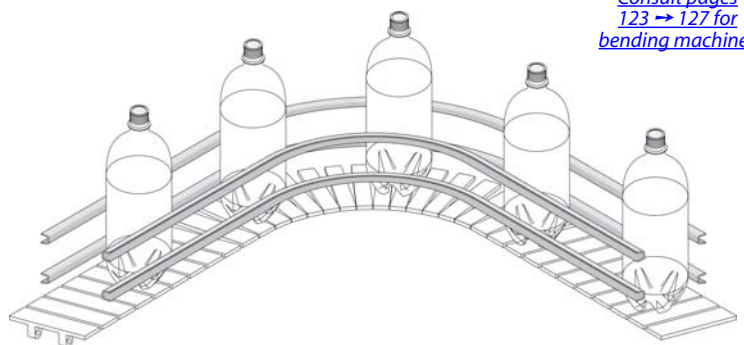
For use in high
temperatures




Static charge
reducing
capability

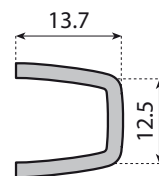


[Consult pages
123 → 127 for
bending machines](#)

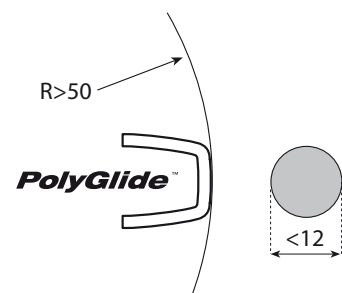
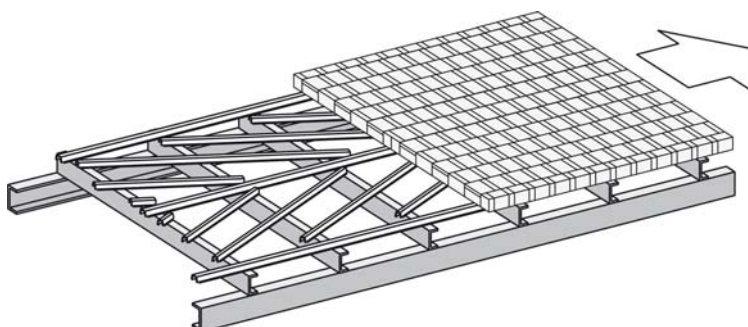


POLYGLIDE PROFILE

Code	Ref.			Material
19S00008-3M	VG-SPM-3M	3 m	30 m	SS 304
19S00008-6M	VG-SPM-6M	6 m	60 m	

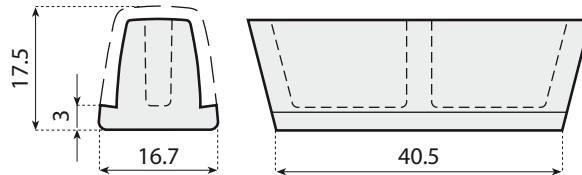
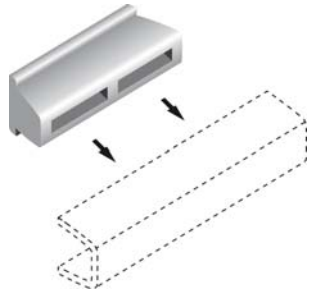


The design of the stainless steel profile, used in the Valu Guide combines the strength of a round solid bar with a diameter of more than 12mm with a smoothly curved sliding surface with a radius of over 50mm.



PolyGlide™

Preferred type, readily available (codes marked in red)



Code	Ref.		Material
13S00092	VG-PMI-25	n° 20	TPE

POLYGLIDE PROFILE



AISI 304
Stainless steel



Saves time
and money



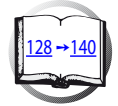
For use in high
temperatures



Static charge
reducing
capability



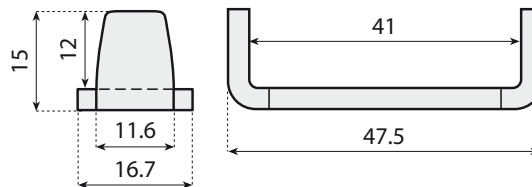
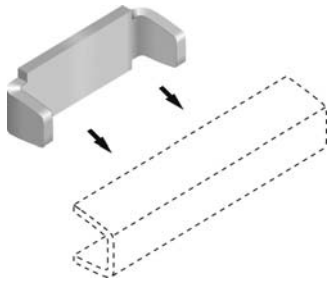
Thermoplastic
elastomers



[Accessories](#)



Par. # 6,105,757
(USA)

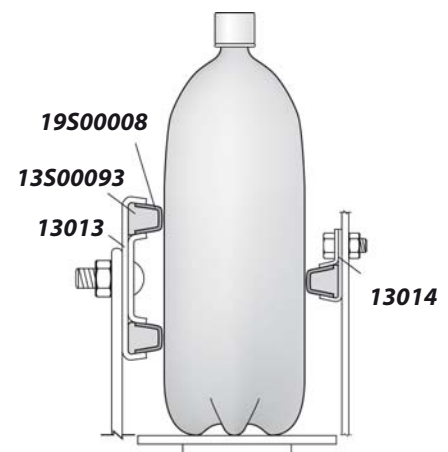
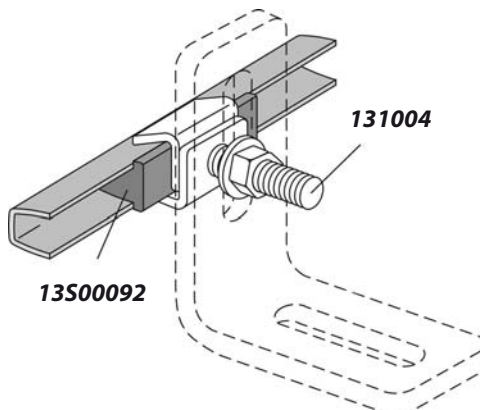
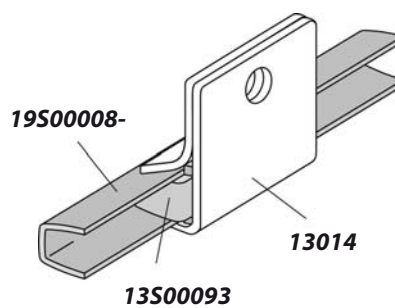
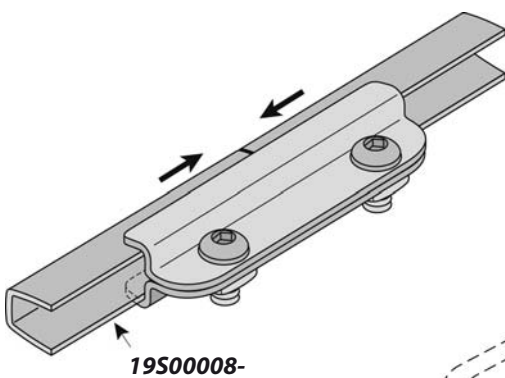


Code	Ref.		Material
13S00093	VG-PMI-30	n° 20	SS 304

POLYGLIDE PROFILE



Par. # 6,053,654
(USA)



Adjustable guide rail clamp

 Preferred type, readily available (codes marked in red)



[See page 160](#)

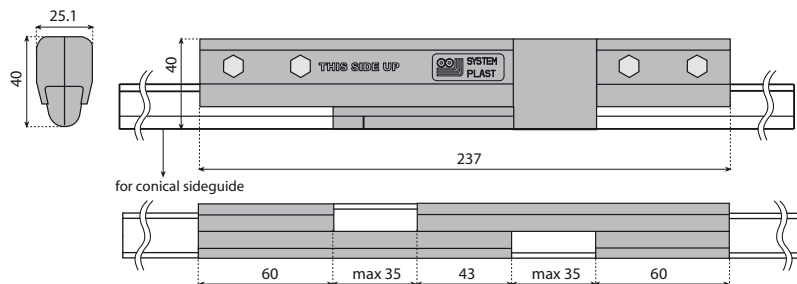


Polyamide

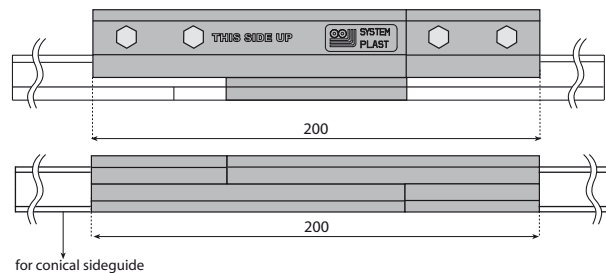


[See page 94](#)

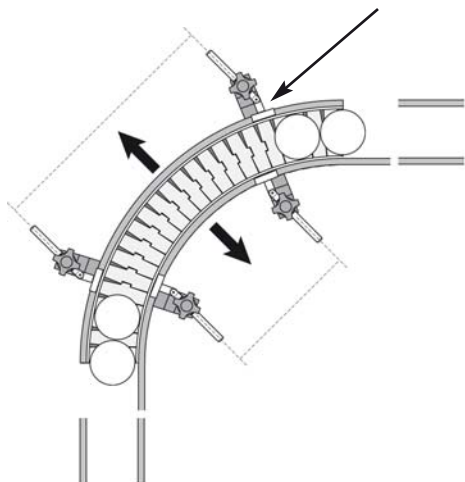
“Open” position



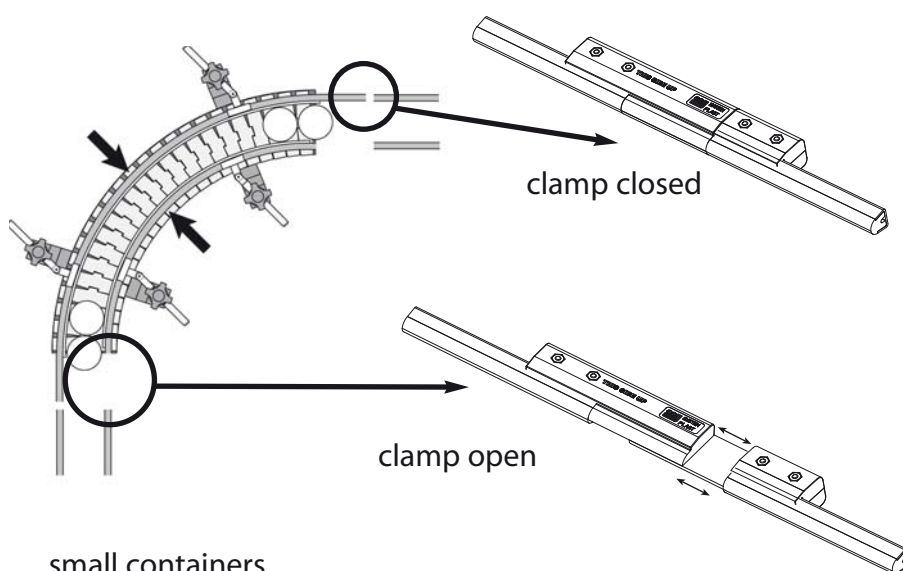
“Closed” position



JOINT ROD ADAPTER (page 160)



large containers



small containers

Material: clamp in PA,
bolts in stainless steel
nuts in nickel plated brass.
Supply: assembled.

Code

131170

For profiles

19019
19020
19021
19022
19S00145NS
19S00146



n° 50

Straight neck guide rails

Preferred type, readily available (codes marked in red)



Polyethylene UHMW



On request straight neck guide rails with special dimensions can be produced.



For further information contact our Engineering Department

STRAIGHT NECK GUIDE RAILS

Material: Ultra High Molecular Weight Polyethylene to provide minimum friction and reliable long term performance.

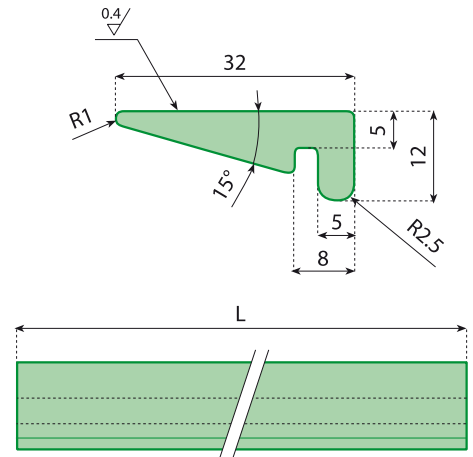
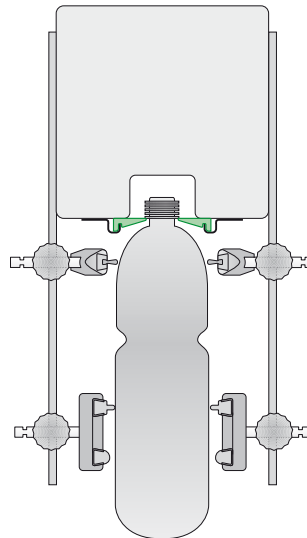
Note: max. continuous service temperature in air 90°C. Water absorption coefficient = 0.

Colour: green.

Supply: 2,52 or 3 meters.

Packaging: 10 pieces (25.2 or 30 meters).

Use: overhead transport of PET bottles.



Code			
19460	2.52 m	25 m	Green
19460L	3 m	30 m	

Corner neck guide rails

CORNER NECK GUIDES RAILS

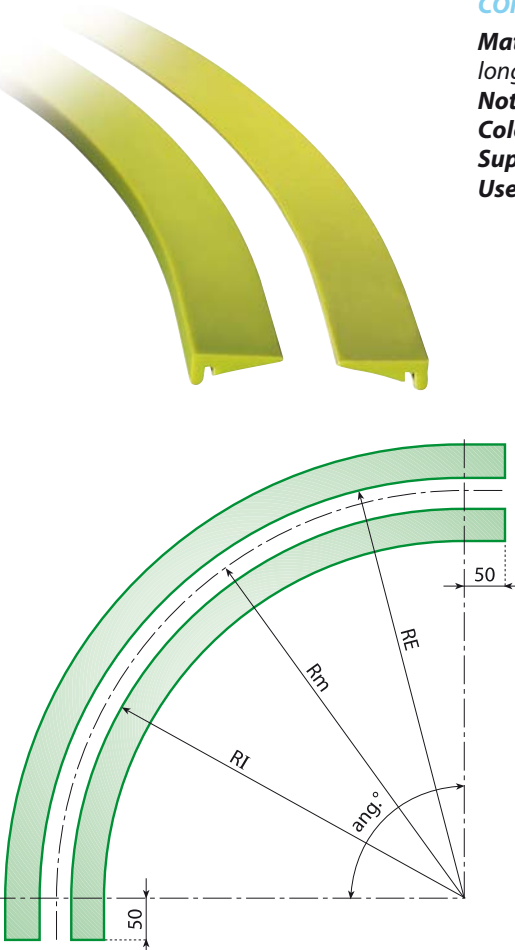
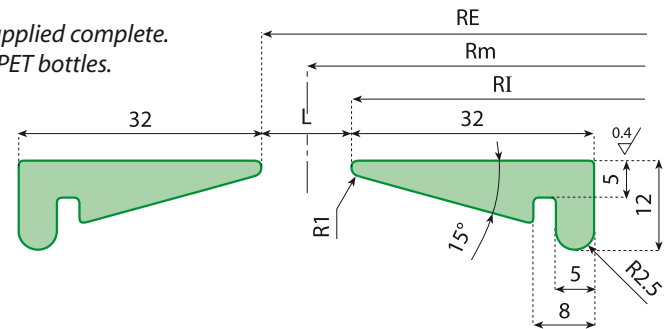
Material: Ultra High Molecular Weight Polyethylene to provide minimum friction and reliable long term performance.

Note: max. continuous service temperature in air 90°C. Water absorption coefficient = 0.

Colour: green.

Supply: corner tracks are supplied complete.

Use: overhead transport of PET bottles.



Corner neck guide rails L = 28.5									
Rm	RE	RI	L	15°	30°	45°	60°	75°	90°
500	514.25	486.7	28.5	190300	190301	190302	190303	190304	19450
750	764.25	735.75	28.5	190305	190306	190307	190308	190309	19451
1000	1014.25	985.75	28.5	190310	190311	190312	190313	190314	19452

Corner neck guide rails L = 36									
Rm	RE	RI	L	15°	30°	45°	60°	75°	90°
750	768	732	36	190315	190316	190317	190318	190319	190320
1000	1018	982	36	190321	190322	190323	190324	190325	190326

Corner neck guide rails L = 42									
Rm	RE	RI	L	15°	30°	45°	60°	75°	90°
750	771	729	42	190327	190328	190329	190330	190331	190332
1000	1021	979	42	190333	190334	190335	190336	190337	190338

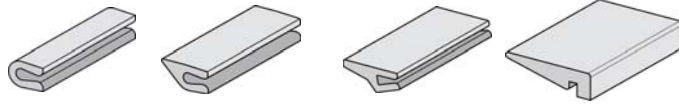
Neck guides for PET containers



NECK GUIDES

Helps guide PET and HDPE containers in high speed, air conveying applications. Nolu-SR is a proprietary alloy of reinforced UHMW and other USDA accepted lubricants, resulting in a harder, lower friction material that is ideal in these applications. Though design differ, the material of choice is Nolu-SR, proven to increase throughput, reduce jams and wear longer.

Material: Nolu-SR is a special UHMW with modified molecular structure helps guide PET containers in high speed applications.



Nolu-S

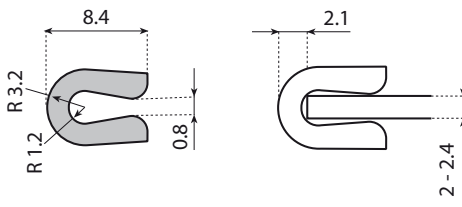


Nolu-SR

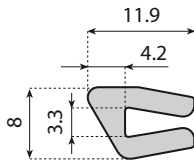


Also available in anti-static!

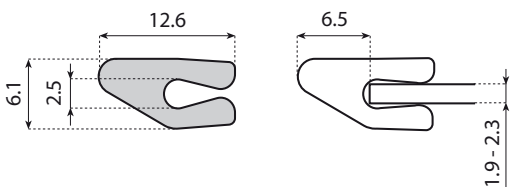
Preferred type, readily available (codes marked in red)



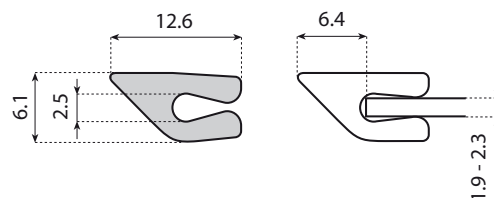
Code	Ref.			Material	
19S00036NS-30M	VG-P105R-30M	30 m	30 m	Nolu-S	Light Grey
19S00036NS-75M	VG-P105R-75M	75 m	75 m	Nolu-S	Light Grey
19S00036NSR-30M	VG-P105RCL-30M	30 m	30 m	Nolu-SR	Dark Grey
19S00036NSR-75M	VG-P105RCL-75M	75 m	75 m	Nolu-SR	Dark Grey



Code	Ref.			Material	
19S00040NSR-30M	VG-NG47-SR-30M	30 m	30 m	Nolu-SR	Dark Grey
19S00040NSR-75M	VG-NG47-SR-75M	75 m	75 m	Nolu-SR	Dark Grey



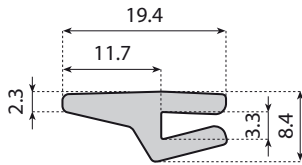
Code	Ref.			Material	
19S00041NSR-30M	VG-NG49-SR-30M	30 m	30 m	Nolu-SR	Dark Grey
19S00041NSR-75M	VG-NG49-SR-75M	75 m	75 m	Nolu-SR	Dark Grey



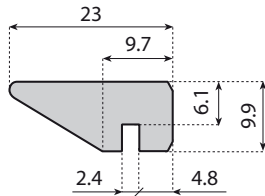
Code	Ref.			Material	
19S00042NSR-30M	VG-NG50-SR-30M	30 m	30 m	Nolu-SR	Dark Grey
19S00042NSR-75M	VG-NG50-SR-75M	75 m	75 m	Nolu-SR	Dark Grey

Neck guides for PET containers

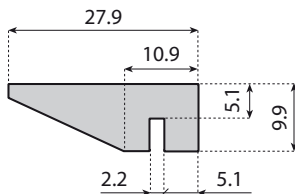
Preferred type, readily available (codes marked in red)



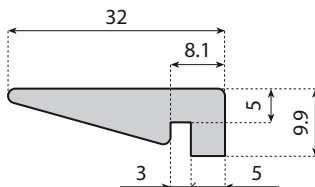
Code	Ref.			Material	
19S00043NSR-75M	VG-NG81-SR-75M	75 m	75 m	Nolu-SR	Dark Grey



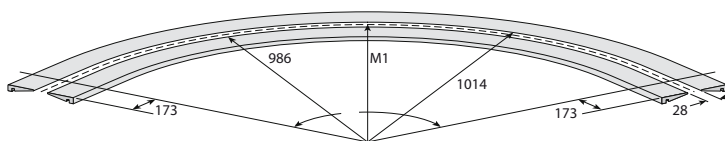
Code	Ref.			Material	
19S00038NSR-30M	VG-NG91-SR-30M	30 m	30 m	Nolu-SR	Dark Grey



Code	Ref.			Material	
19S00039NSR-30M	VG-NG110-SR-30M	30 m	30 m	Nolu-SR	Dark Grey



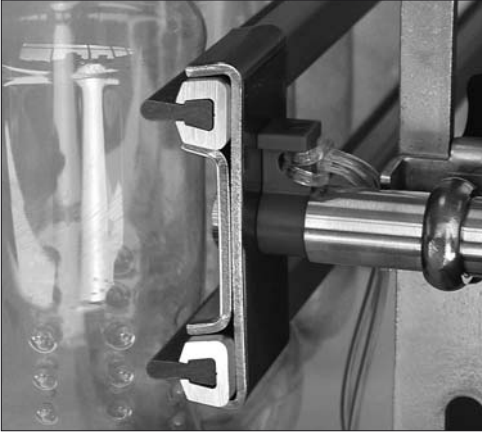
Code	Ref.			Material	
19S00037NSR-30M	VG-NG125-SR-30M	30 m	30 m	Nolu-SR	Dark Grey




Code	Ref.			Material	
19S00044NSR	VG-NG125-SR-1M28	n°1+1		Nolu-SR	Dark Grey

NECK GUIDE CURVE

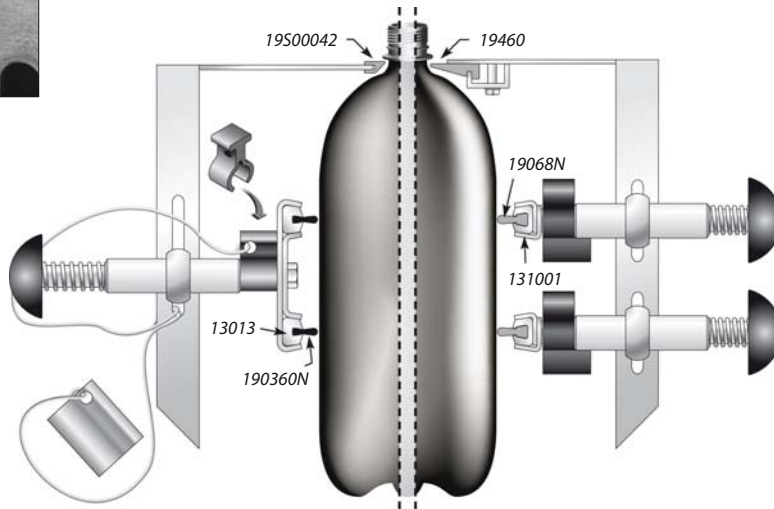
Guides for PET bottles



 Preferred type, readily available (codes marked in red)

GUIDES FOR PET BOTTLES

Aluminum guide rail with Nolu-s insert is used to guide containers, especially PET and HDPE, in application such as air conveying. Many air conveyor users and manufacturers have found that brush guides tend to get contaminated with debris, which causes increased friction and marking of PET bottles. Nolu-S is the perfect combination of extremely low friction in a tough UHMW based material. Nolu-S will not mark bottles while allowing faster speeds and greater throughput.



*Low friction,
non-marking!
More sanitary*



Nolu-S



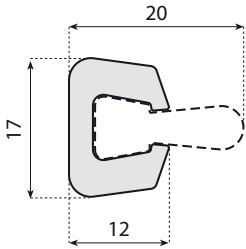
Aluminium





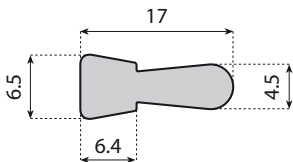
[Consult pages 123 → 127 for bending machines](#)






[Accessories](#)

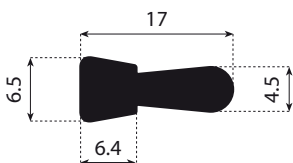





Code	Ref.			Material
19S00009-3M	VG-ABG-3M	3 m	30 m	AL
19S00009-6M	VG-ABG-6M	6 m	60 m	AL



Code	Ref.			Material	
19S00079NS-30M	VG-PBG7-NS-30M	30 m	30 m	Nolu-S	Light Grey

Reduced Splices!



Code	Ref.			Material	
19S00079NSD-30M	VG-PBG7-NSD-30M	30 m	30 m	Nolu-S antistatic	Black



Nolu-S antistatic

Guides for PET bottles

 Preferred type, readily available (codes marked in red)



Nolu-S antistatic



Nolu-S



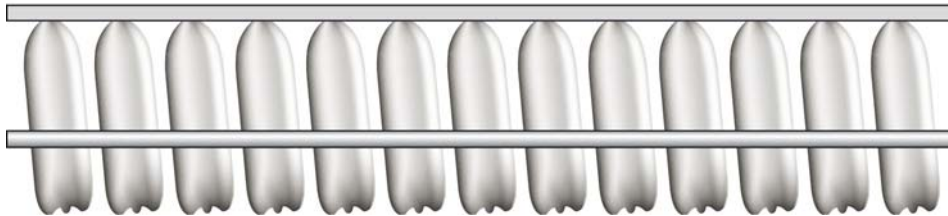
Aluminium



Consult pages 123 → 127 for bending machines

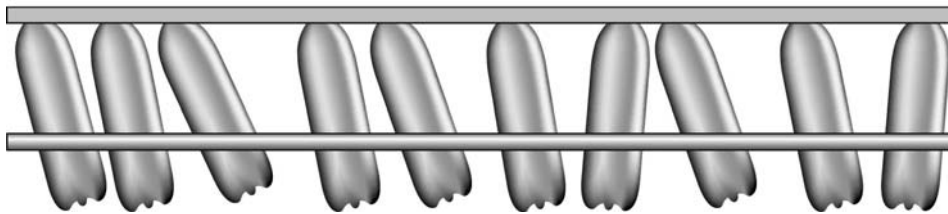


Accessories



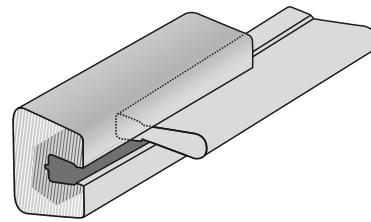
NOLU-S

Nolu-SR neck guides and **Nolu-S** body guides, with an ultra low coefficient of friction, reduces the degree of bottle tilt and the corresponding wear problems.

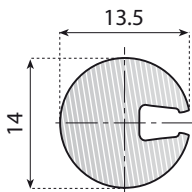


OTHER GUIDES

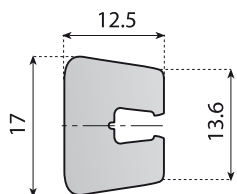
Other guides (especially brushes), when contaminated, can cause irregular tilt and orientation of the bottles, resulting in blockage at curves or inclines.



*Low friction,
non-marking!
More sanitary!*

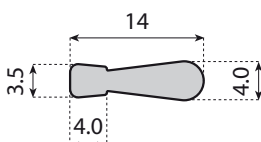





Code	 Kg/m	 L	 30 m	Material
190475	0.50	3 m	30 m	Aluminium



Code	 Kg/m	 L	 30 m	Material
19094	0.50	3 m	30 m	Aluminium
19094L		6 m	60 m	

*Reduced
Splices!*



Code	Ref.	 30 m	 30 m	Material	
19S00078NS-30M	VG-PBG5-NS-30M	30 m	30 m	Nolu-S	Light Grey
19S00078NSD-30M	VG-PBG5-NSD-30M			Nolu-S antistatic	Black

Product guides

 Preferred type, readily available (codes marked in red)



Polyethylene
UHMW



Anodized
aluminium



Accessories



Consult pages
123 → 127 for
bending machines

GUIDE RAILS

Material:

- Metal profile in anodized aluminium.
- Extruded profile in UHMWPE.

Characteristics:

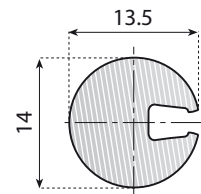
- Very low friction coefficient.
- High resistance to chemical agents.

Notes: Aluminium profile and plastic profile are supplied assembled.

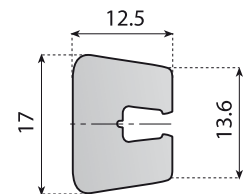
Application: as side guides for air conveyor and standard conveyor.



Code	Kg/m	L		Material
190475	0.50	3 m	30 m	Aluminium

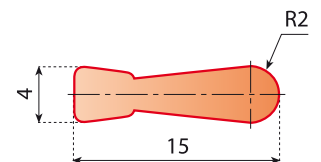


Code	Kg/m	L		Material
19094	0.50	3 m	30 m	Aluminium
19094L		6 m	60 m	



EXTRUDED PROFILE

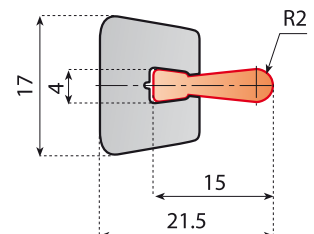
Code	Kg/m			Material
19068N	0.09	60 m	60 m	Black
19068NA				Antistatic Black
19068P				Yellow
19068				Orange
19068W				White



ASSEMBLED GUIDE RAILS

Code	Kg/m	L		Material
190360N	0.59	3 m	30 m	Black
190360NL		6 m		

Other assemblies of aluminium and extruded profiles can be made on request and for adequate quantities.



Product guides

Preferred type, readily available (codes marked in red)



Polyethylene UHMW



Brushes



Anodized aluminium



Accessories



Consult pages 123 → 127 for bending machines

GUIDE RAIL

Material:

- Metal profile in anodized aluminium.
- Brushes profile in natural fibres.

Characteristics:

- Very low friction coefficient.

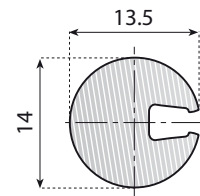
Supply:

- 3 meter.
- Aluminium profile and brushes profile are supplied assembled.

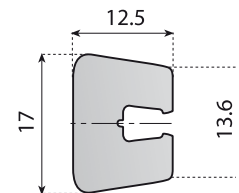
Application: as side guides for air conveyor.



Code	Kg/m	L	Material
190475	0.50	3 m	Aluminium

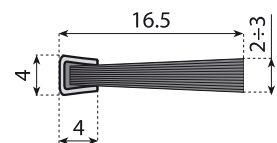


Code	Kg/m	L	Material
19094	0.50	3 m	Aluminium



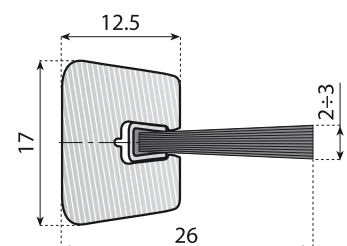
BRUSHES PROFILE

Code	Kg/m	L	Material
190365	0.09	3 m	Aluminium



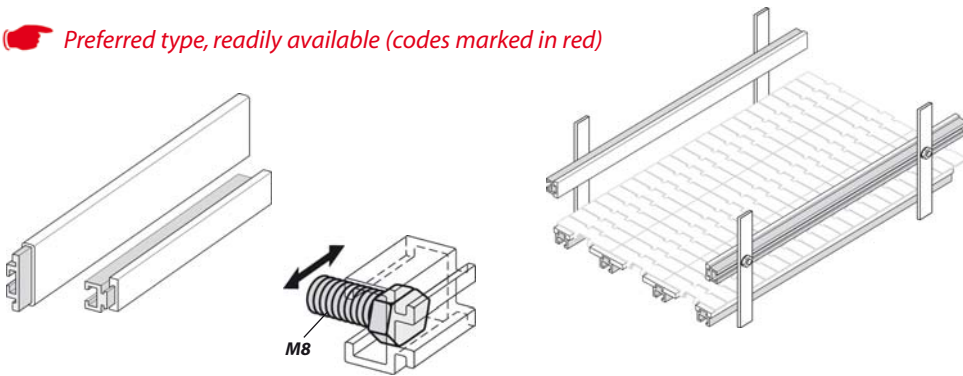
ASSEMBLED GUIDE RAILS

Code	Kg/m	L	Material
190366	0.59	3 m	Aluminium



Aluminium guide rail

 Preferred type, readily available (codes marked in red)



Anodized Aluminium



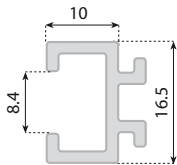
Aluminium



Polyethylene UHMW



[Consult pages 123 → 127 for bending machines](#)

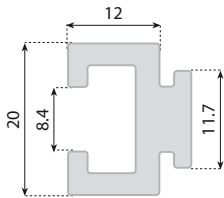


Code

Ref.



19S00210-3M	VG-A225-3M	3 m	30 m	Al	-
19S00210-6M	VG-A225-6M				

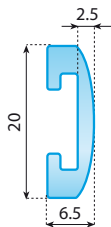


Code

Ref.



19S00216-3M	VG-A600-3M	3 m	30 m	Al	
19S00216-6M	VG-A600-6M	6 m	60 m	Al	
19S00212-3M	VG-A600A-3M	3 m	30 m	Al-a	
19S00212-6M	VG-A600A-6M	6 m	60 m	Al-a	

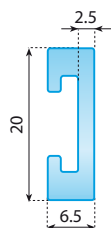


Code

Ref.



19S00025-3M	VG-P813-3M	3 m	-	30 m		
19S00025-6M	VG-P813-6M	6 m	-	60 m	PE	White
19S00025-30M	VG-P813-30M	-	30 m	30 m		

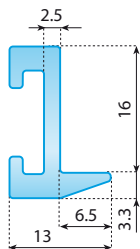


Code

Ref.



19S00026-3M	VG-P813F-3M	3 m	-	30 m		
19S00026-6M	VG-P813F-6M	6 m	-	60 m	PE	White
19S00026-30M	VG-P813F-30M	-	30 m	30 m		

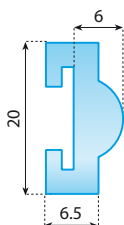


Code

Ref.



19S00032-3M	VG-P0808-3M	3 m	30 m	PE	White
--------------------	-------------	-----	------	----	-------



Code

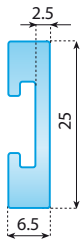
Ref.



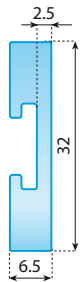
19S00033-3M	VG-P611-3M	3 m	30 m	PE	White
--------------------	------------	-----	------	----	-------

Aluminium guide rail

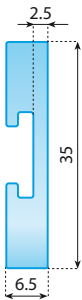
Preferred type, readily available (codes marked in red)



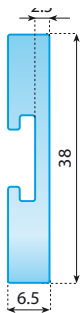
Code	Ref.			Material	
19S00034-3M	VG-P816F-3M	3 m	30 m	PE	White
19S00034-6M	VG-P816F-6M	6 m	60 m		



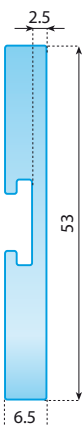
Code	Ref.			Material	
19S00031-3M	VG-P820F-3M	3 m	30 m	PE	White
19S00031-6M	VG-P820F-6M	6 m	60 m		



Code	Ref.			Material	
19S00027-3M	VG-P822F-3M	3 m	30 m	PE	White
19S00027-6M	VG-P822F-6M	6 m	60 m		



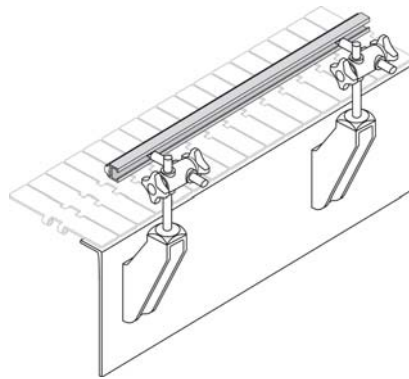
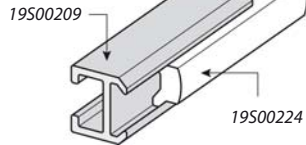
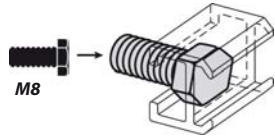
Code	Ref.			Material	
19S00022-3M	VG-P824F-3M	3 m	30 m	PE	White
19S00022-6M	VG-P824F-6M	6 m	60 m		



Code	Ref.			Material	
19S00028-3M	VG-P834F-3M	3 m	30 m	PE	White
19S00028-6M	VG-P834F-6M	6 m	60 m		

Aluminium guide rail

 Preferred type, readily available (codes marked in red)



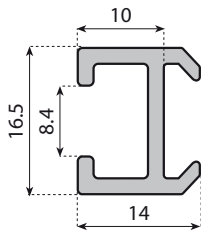
Aluminium



Polyethylene UHMW



[Consult pages 123 → 127 for bending machines](#)



Code

Ref.



Material



19S00209-3M
19S00209-6M

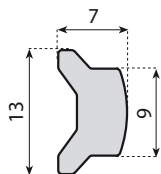
VG-A350-3M
VG-A350-6M

3 m
6 m

30 m
60 m

AL

-



Code

Ref.



Material



19S00224-3M
19S00224-6M

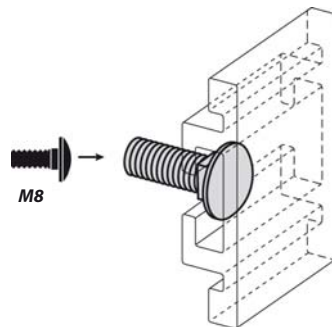
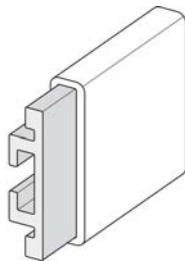
VG-P350-3M
VG-P350-6M

3 m
6 m

30 m
60 m

PE

White



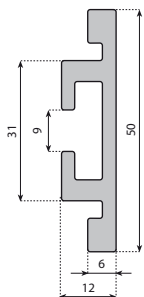
Aluminium



Polyethylene UHMW



[Consult pages 133 → 137 for bending machines](#)



Code

Ref.



Material



19S00211-3M
19S00211-6M

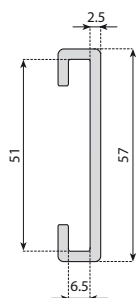
VG-A2520-3M
VG-A2520-6M

3 m
6 m

30 m
60 m

AL

-



Code

Ref.



Material



19S00226-3M
19S00226-6M

VG-P2520BC-3M
VG-P2520BC-6M

3 m
6 m

30 m
60 m

PE

White

Product guides

Preferred type, readily available (codes marked in red)



AISI 304
Stainless steel



Polyethylene
UHMW



Accessories



Zinc plated steel

STANDARD GUIDE RAILS

Material:

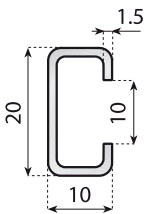
- Metal profile, see the table.
- Plastic profile in UHMWPE.

Characteristics:

- Very low friction coefficient.
- Moderate resistance to chemical agents.
- No liquid absorption.

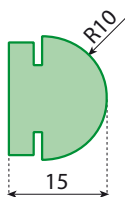
Supply:

- 3 or 6 meters.



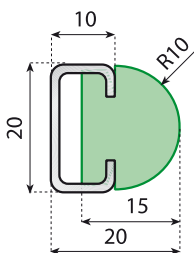
Code	Kg/m	L		Material
16450		3 m	30 m	S/S AISI 304
16450L	0.40	6 m		
16449		3 m	30 m	Zinc plated steel
16449L	0.40	6 m		

METAL PROFILE



Code	Kg/m	L		
19083		3 m	30 m	Green
19083L	0.28	6 m		
19084		3 m	30 m	Black
19084L	0.28	6 m		

EXTRUDED PROFILE



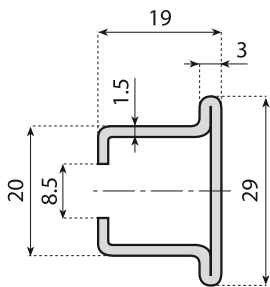
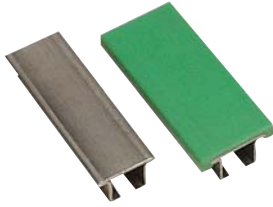
Code	L		Metal profile material	Guide
19035	3 m			Green
19035L	6 m			Green
19036	3 m	30 m	S/S 304	Black
19036L	6 m			Black
19046	3 m			Green
19046L	6 m	30 m	Zinc plated steel	Green
19047	3 m			Black
19047L	6 m			Black

STANDARD GUIDE RAILS

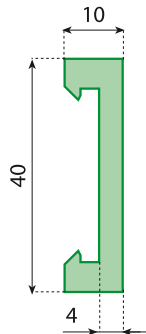
Notes: the metal profile and plastic profile are supplied assembled.

Product guides

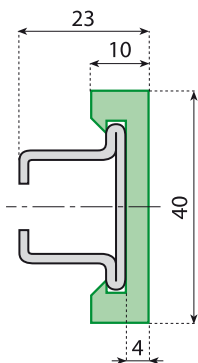
 Preferred type, readily available (codes marked in red)



METAL PROFILE



EXTRUDED PROFILE



GUIDE RAILS

Notes: the steel profile and wear strip are supplied assembled.

GUIDE RAILS

Material:




- Metal profile, see the table.
- Plastic profile in UHMWPE.

Characteristics:





- Very low friction coefficient.
- High resistance to chemical agents.
- No liquid absorption.

Supply:

- 3 or 6 meters.
- Steel profile and plastic profile are supplied assembled.

Code	 Kg/m	 L		Material
19048C	0.90	3 m	30 m	S/S 304
19048		6 m		
19048KC	0.90	3 m	30 m	S/S 430
19048K		6 m		

Code	 Kg/m	 L		Material	
19071C	0.20	3 m	30 m	PE	Black
19071		6 m		PE	Black
19071NS		6 m		Nolu-S	Grey
19070C		3 m		PE	Green
19070		6 m		PE	Green
19070BC		3 m		PE	White
19070B		6 m		PE	White
19071ASC		3 m		PE-a	Black
19071AS		6 m		PE-a	Black

Code	 Kg/m	 L		Plastic profile material	Metal profile material	
19063NC	1.10	3 m	30 m	PE	S/S 304	Black
19063N		6 m		PE		Black
19063VC		3 m		PE		Green
19063V		6 m		PE		Green
19063BC		3 m		PE		White
19063B		6 m		PE		White
19063ASC		3 m		PE-a		Black
19063AS		6 m		PE-a		Black
19063KNC		3 m		PE		Black
19063KN		6 m		PE		Black
19063KVC	3 m	PE	Green			
19063KV	6 m	PE	Green			
19063KBC	3 m	PE	White			
19063KB	6 m	PE	White			
19063KASC	3 m	PE-a	Black			
19063KAS	6 m	PE-a	Black			



Polyethylene UHMW



Polyethylene antistatic UHMW



AISI 304 Stainless steel



AISI 430 Stainless steel

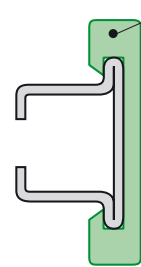


Accessories



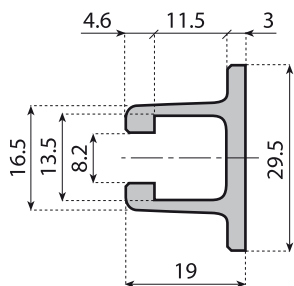
Consult pages 123 → 127 for bending machines

These profiles are applicable to code 19048 - 19048C cod. 19070 - 19071

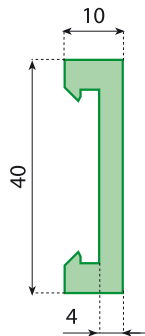


Product guides

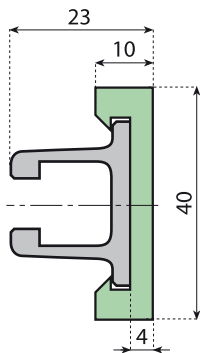
Preferred type, readily available (codes marked in red)



ALUMINIUM PROFILE



EXTRUDED PROFILE



GUIDE RAILS

Supply: 3 or 6 meters.
Packaging: 30 meters.
Notes: the aluminium profile and guide rails are supplied assembled.

GUIDE RAILS

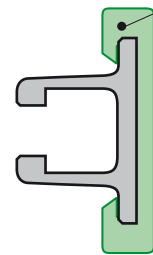
Material:
 – Metal profile in anodized aluminium.
 – Plastic profile in UHMWPE.
Characteristics:
 – Very low friction coefficient.
 – High resistance to chemical agents.
 – No liquid absorption.
Supply:
 – 3 or 6 meters.
 – Metal profile and guide rails are supplied assembled.

Code	Kg/m	L		Material
19097L	0.50	3 m	30 m	Al-a
19097		6 m		



[Consult pages 123 -> 127 for bending machines](#)

These profiles are applicable to code 19097 - 19097L cod. **19070 - 19071**



Code	Kg/m	L		Material	
19071C		3 m		PE	Black
19071		6 m		PE	Black
19071NS		6 m		Nolu-S	Grey
19070C		3 m		PE	Green
19070	0.20	6 m	30 m	PE	Green
19070BC		3 m		PE	White
19070B		6 m		PE	White
19071ASC		3 m		PE-a	Black
19071AS		6 m		PE-a	Black

Code	Kg/m	L		Plastic profile material	Metal profile material	
19098N		3 m		PE		Black
19098NL		6 m		PE		Black
19098V		3 m		PE		Green
19098VL	0.70	6 m	30 m	PE	AL-a	Green
19098B		3 m		PE		White
19098BL		6 m		PE		White
19098AS		3 m		PE-a		Black
19098ASL		6 m		PE-a		Black

Product guides

 Preferred type, readily available (codes marked in red)



Consult pages
123 → 127 for
bending machines

GUIDE RAILS (Flat type)

Material:

- Polyethylene PE 500.000.

Characteristics:





- They can be bent or calendered by means of usual systems or using bending machines code 19037 or 19044.
- Coefficient of linear expansion: 2.5×10^{-4} .
- Temperature range for continuous use in air: $-35^{\circ}\text{C} \div +70^{\circ}\text{C}$.
- Min. bending radius: 200 mm.

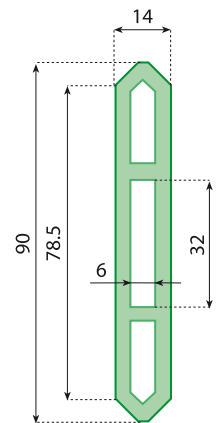
Notes: when sealing the ends a 2 mm space must be left between the silicone and the end of the bar to compensate for linear contraction of the guide rail at low temperatures.



FLAT GUIDE





Characteristics: To use this guide, a 30x5 mm steel bar should be inserted

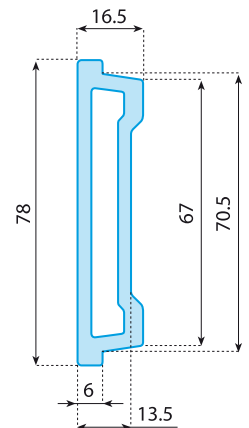
Code	 Kg/m	 L		Material	
19098L	0.60	3 m	30 m	PE	Green
19098		6 m		500.000	



SIDE GUIDE





Characteristics: To use this guide, a 60x6 mm steel bar or double M-Profile should be inserted.

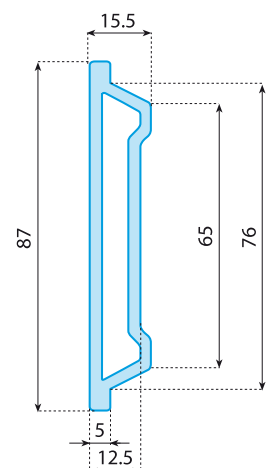
Code	 Kg/m	 L		Material	
19082L		3 m			Black
19082		6 m			Black
19082BL	0.60	3 m	30 m	PE	Light blue
19082B		6 m		500.000	Light blue
19082VL		3 m			Green
19082V		6 m			Green



SIDE GUIDE

Characteristics: To use this guide, a 60x6 mm steel bar or double M-Profile should be inserted.

Code	 Kg/m	 L		Material	
19050L		3 m			Black
19050		6 m			Black
19050AL	0.60	3 m	30 m	PE	Light blue
19050A		6 m		500.000	Light blue
19050VL		3 m			Green
19050V		6 m			Green



Product guides

Preferred type, readily available (codes marked in red)



Consult pages 123 → 127 for bending machines

Polyethylene UHMW



Accessories

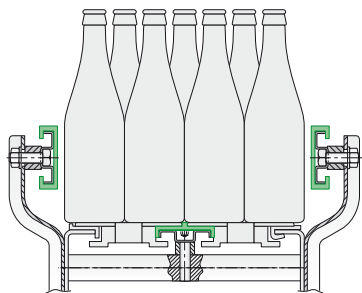
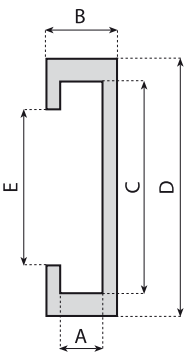
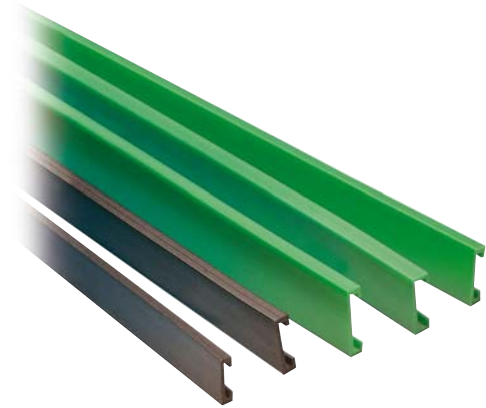


Nolu-S

GUIDE RAILS

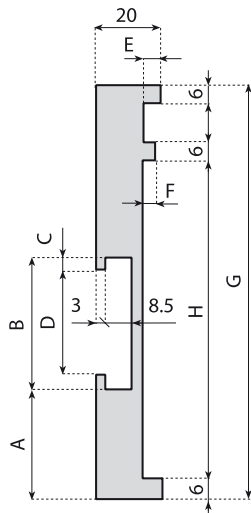
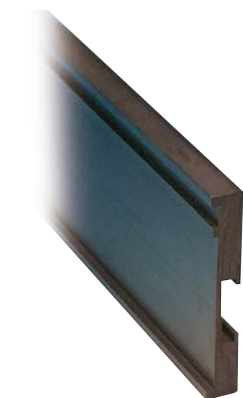
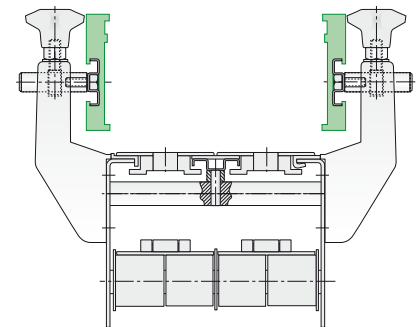
Material:

Extruded ultra high molecular weight polyethylene.
Max. continuous service temperature in air 90° C.
Water absorption coefficient = 0.



Code	A	B	C	D	E	Kg/m	L	Material	Color
19054N							3 m	PE	Black
19054NL	3.5	10	30.5	40	20	0.20	6 m	PE	Black
19054V							3 m	PE	Green
19054VL							6 m	PE	Green
19080N							3 m	PE	Black
19080NL	6.5	12	41	50	30	0.23	6 m	PE	Black
19080V							3 m	PE	Green
19080VL							6 m	PE	Green
19053N							3 m	PE	Black
19053NL	8.5	14	41	50	27.5	0.25	6 m	PE	Black
19053V							3 m	PE	Green
19053VL							6 m	PE	Green
19081N							3 m	PE	Black
19081NL	10.5	16	41	50	35	0.27	6 m	PE	Black
19081V							3 m	PE	Green
19081VL							6 m	PE	Green
19052N							3 m	PE	Black
19052NL	6.5	12	51	60	36	0.27	6 m	PE	Black
19052V							3 m	PE	Green
19052VL							6 m	PE	Green
19052NS							6 m	Nolu-S	Grey
19092N							3 m	PE	Black
19092NL	6	14	82	90	61.5	0.33	6 m	PE	Black
19092V							3 m	PE	Green
19092VL							6 m	PE	Green

SIDE GUIDES



SIDE GUIDE FOR LABELLING BOTTLE

Code	A	B	C	D	E	F	G	H	L	Material	Color
19085N									2 m	PE	Black
19085V	35	41	5.5	30	4	2	105	68	30 m	PE	Green
19086N									2 m	PE	Black
19086V	35	41	5.5	30	4	2	110	73	30 m	PE	Green
19087N									2 m	PE	Black
19087V	35	41	5.5	30	4	2	115	80	30 m	PE	Green
19088N									2 m	PE	Black
19088V	35	41	5.5	30	4	2	117	75	30 m	PE	Green
19089N									2 m	PE	Black
19089V	35	41	4.5	32	5	3.5	130	100	30 m	PE	Green

Product guides

 Preferred type, readily available (codes marked in red)



Polyethylene
UHMW

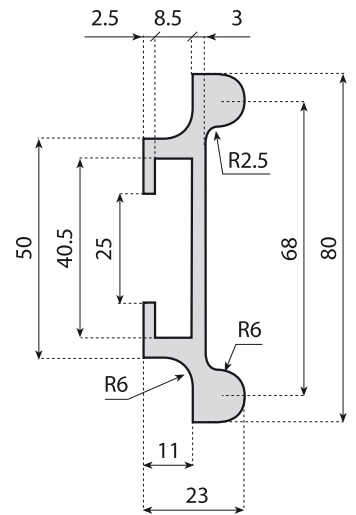
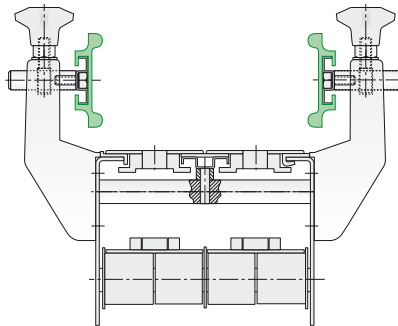
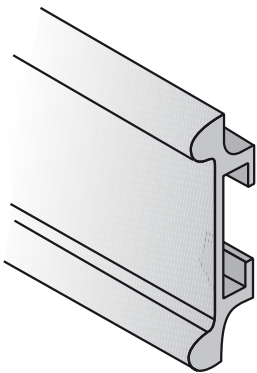


Accessories

GUIDE RAILS

Material:

Extruded ultra high molecular weight polyethylene.
Max. continuous service temperature in air 90° C.
Water absorption coefficient = 0.



SIDE GUIDE

Code

19090
19090V



0.55



3 m



30 m



Black
Green



SIDE GUIDE

Code

19051
19051V



0.72



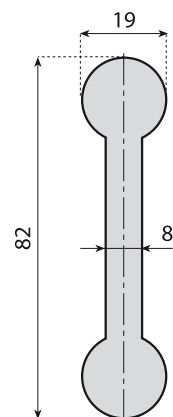
3 m



30 m



Black
Green



Product guides

Preferred type, readily available (codes marked in red)



Polyethylene UHMW



303 Stainless steel



[Accessories](#)

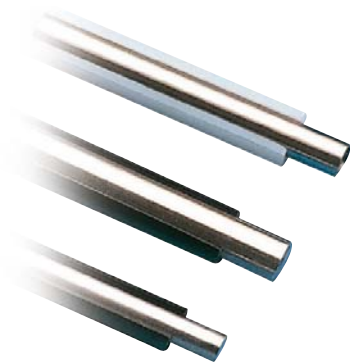


[Consult pages 123 → 127 for bending machines](#)

GUIDE RAILS

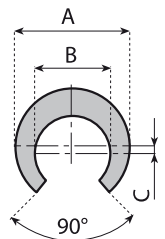
Material:

- Round profile in stainless steel AISI 303.
- Plastic profile in UHMWPE.

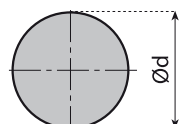


SIDE GUIDE

Code	A	B	C	For rod Ø (mm)	Kg/m			
19055	12	9	0.3	8	0.05			Black
19055B	12	9	0.3	8	0.05			White
19061	15	11	0.5	10	0.06			Black
19061B	15	11	0.5	10	0.06	30 m	30 m	White
19056	17	13	1	12	0.07			Black
19056B	17	13	1	12	0.07			White



Code	Ø d	L		Material
190390	8			
190391	10			
190392	12	3 m	30 m	SS 303
190393	14			
190394	16			



ROUND PROFILE

Accessories for guide rails

 Preferred type, readily available (codes marked in red)



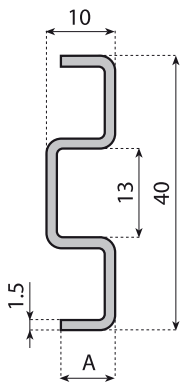
[Accessories](#)






AISI 304
Stainless steel

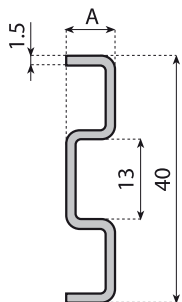


[Consult pages
123 → 127 for
bending machines](#)






M-PROFILE

Code	A	 Kg/m	 L		Material
19077	6	0.74	3 m		
19077L	6	0.74	6 m		
19078	8	0.78	3 m	30 m	SS 304
19078L	8	0.78	6 m		
19079	10	0.82	3 m		
19079L	10	0.82	6 m		

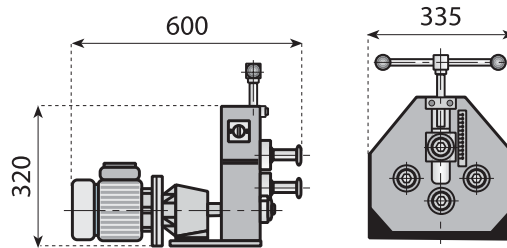
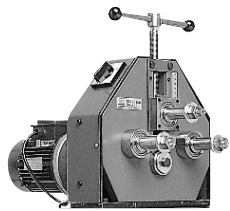


M-PROFILE

Code	A	 Kg/m	 L		Material
190265	8	0.74	3 m	30 m	SS 304
190265L			6 m		

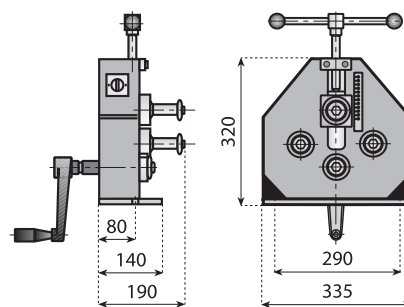
Bending machines and bending rollers

Preferred type, readily available (codes marked in red)



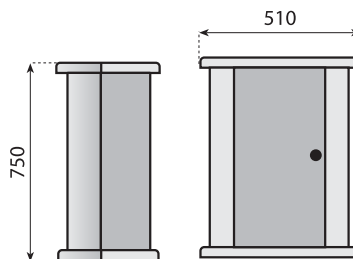
Code

19044



Code

19037



Code

19044SB

MOTORIZED BENDING MACHINE

Technical features:

- Millimeter and decimal reading for pressing roller adjustment.
- Tempered shafts mounted on double supports and rotating on opposing tapered roller bearings.
- Hardened and tempered sliding blocks located on the machine casing.
- Shaft diameter 25 mm.
- Main motor V. 380-50 Hz.
- Approximate weight 100 Kg.

MANUAL BENDING MACHINE

Technical features:

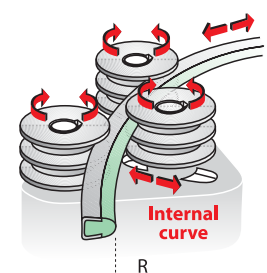
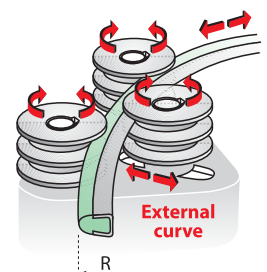
- Millimeter and decimal reading for pressing roller adjustment.
- Tempered shafts mounted on double supports and rotating on opposing tapered roller bearings.
- Hardened and tempered sliding blocks located on the machine casing.
- Shaft diameter 25 mm.
- Approximate weight 35 Kg.

IMPORTANT: the bending machines are supplied without rollers, these must be ordered separately according to the guide rail type (see table).


Series of bending rollers

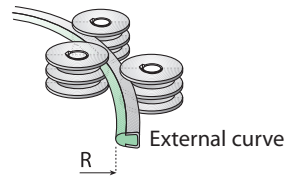
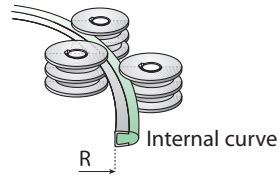
METHOD OF BENDING

- 1 - Select the rollers designed specifically to bend the style rail desired and assemble to the machine.
- 2 - Determine the radial length of the desired curve and mark the rail to show the beginning and end of the curve.
- 3 - Center the portion of the rail in the machine and snug up the center wheel. Turn the crank 1 to 2 turns and rotate the gear box handle until the mark at one end is slightly past the contact point of the center wheel.
Repeat this at the other end.
- 4 - Repeat Step 3.
- 5 - Center the turn section in the machine again and turn the center wheel crank inward a maximum of 2 turns.
Rotate the gear box handle, this time until each mark reaches the contact of the center wheel.
- 6 - Repeat Step 5 until the desired curve is completed.

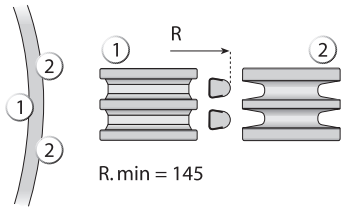
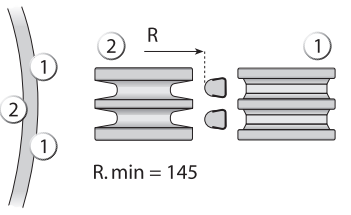
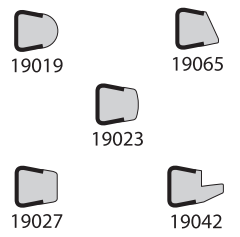
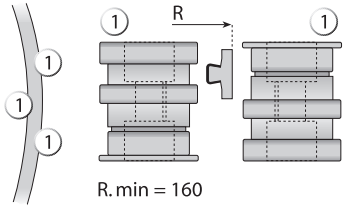
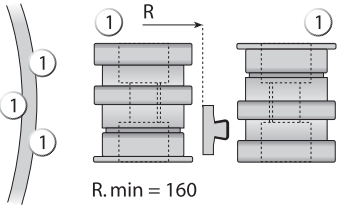
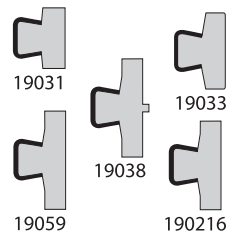
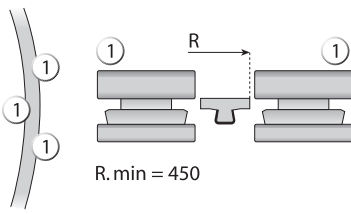
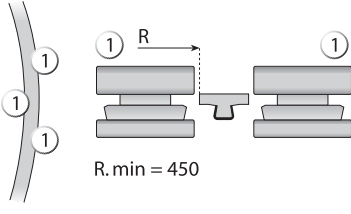

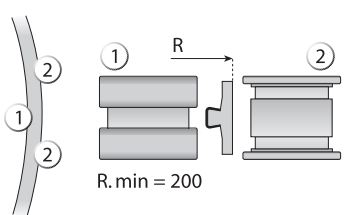
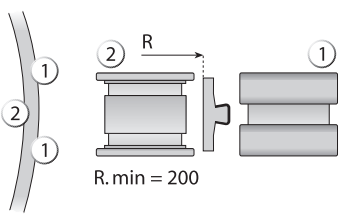
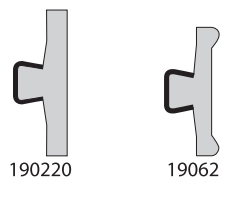
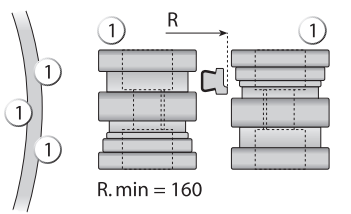
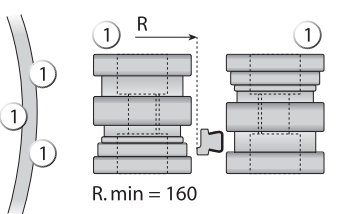

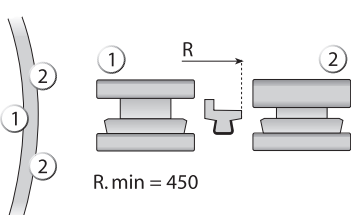
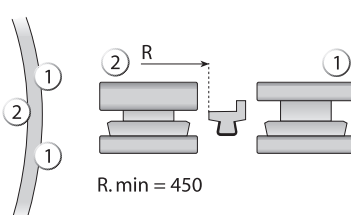

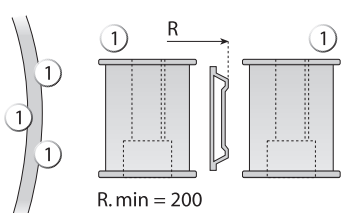
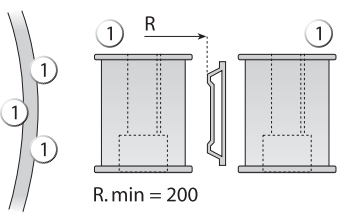
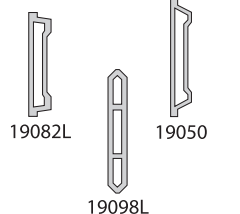


Rollers for bending machine

 Preferred type, readily available (codes marked in red)

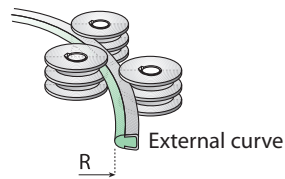
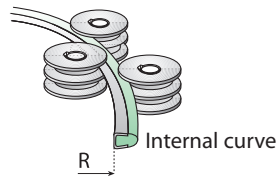


Types of guides to be bent

<p>Code 19500</p> <p>No. of rollers 2 + 2</p>	 <p>R. min = 145</p>	 <p>R. min = 145</p>	
<p>Code 19507</p> <p>No. of rollers 3</p>	 <p>R. min = 160</p>	 <p>R. min = 160</p>	
<p>Code 19499</p> <p>No. of rollers 3</p>	 <p>R. min = 450</p>	 <p>R. min = 450</p>	
<p>Code 19503</p> <p>No. of rollers 2 + 2</p>	 <p>R. min = 200</p>	 <p>R. min = 200</p>	
<p>Code 19498</p> <p>No. of rollers 3</p>	 <p>R. min = 160</p>	 <p>R. min = 160</p>	
<p>Code 19524</p> <p>No. of rollers 2 + 2</p>	 <p>R. min = 450</p>	 <p>R. min = 450</p>	
<p>Code 19504</p> <p>No. of rollers 3</p>	 <p>R. min = 200</p>	 <p>R. min = 200</p>	

Rollers for bending machine


Preferred type, readily available (codes marked in red)

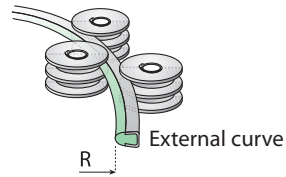
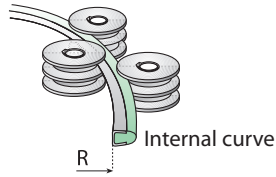


Types of guides to be bent

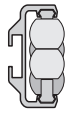
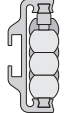
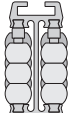



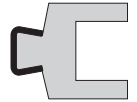
<p>Code 19502</p>	<p>No. of rollers 3</p>			
<p>Code 19501</p>	<p>No. of rollers 2 + 2</p>			<p>19035</p>
<p>Code 19508</p>	<p>No. of rollers 2 + 2</p>			<p>19098</p>
<p>Code 19506</p>	<p>No. of rollers 2 + 2</p>			<p>19077</p>
<p>Code 19525</p>	<p>No. of rollers 2 + 2</p>			<p>190265</p>
<p>Code 19509</p>	<p>No. of rollers 3</p>			<p>16450</p>
<p>Code 19505</p>	<p>No. of rollers 2 + 2</p>			<p>16456</p>

Rollers for bending machine

 Preferred type, readily available (codes marked in red)

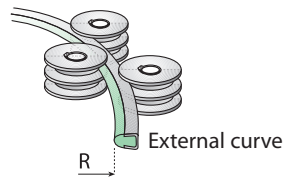
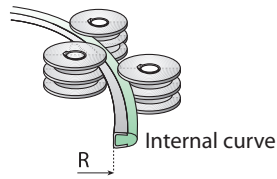


Types of guides to be bent

<p>Code 19511</p> <p>No. of rollers 2 + 2</p>	<p>R.min=305</p>	<p>R.min=305</p>	 16S00001
<p>Code 19512</p> <p>No. of rollers 2 + 2</p>	<p>R.min=305</p>	<p>R.min=305</p>	 16S00100
<p>Code 19513</p> <p>No. of rollers 3</p>	<p>R.min=305</p>	<p>R.min=305</p>	 16S00200 16S00050
<p>Code 19514</p> <p>No. of rollers 2 + 2</p>	<p>R.min=762</p>	<p>R.min=762</p>	 19S00009
<p>Code 19515</p> <p>No. of rollers 2 + 2</p>	<p>R.min=762</p>	<p>R.min=762</p>	 19S00007
<p>Code 19527</p> <p>No. of rollers 2 + 2</p>	<p>R.min=762</p>	<p>R.min=762</p>	 19094
<p>Code 19516</p> <p>No. of rollers 2 + 2</p>	<p>R.min=457</p>	<p>R.min=457</p>	 19S00183

Rollers for bending machine

Preferred type, readily available (codes marked in red)



Types of guides to be bent

<p>Code 19517</p>	<p>No. of rollers 2 + 2</p>	<p>R.min=457</p>	<p>R.min=457</p>	<p>19500182</p>
<p>Code 19519</p>	<p>No. of rollers 2 + 2</p>	<p>R.min=457</p>	<p>R.min=457</p>	<p>19500035</p>
<p>Code 19520</p>	<p>No. of rollers 3</p>	<p>R.min=559</p>	<p>R.min=559</p>	<p>19500083</p>
<p>Code 19521</p>	<p>No. of rollers 2 + 2</p>	<p>R.min=102</p>	<p>R.min=102</p>	<p>19500008</p>
<p>Code 19522</p>	<p>No. of rollers 2 + 2</p>	<p>R.min=152</p>	<p>R.min=152</p>	<p>19500210 19500212 19500209</p>
<p>Code 19523</p>	<p>No. of rollers 2 + 2</p>	<p>R.min=203</p>	<p>R.min=203</p>	<p>19500211</p>

Clamps for conical side guides

 Preferred type, readily available (codes marked in red)



Nickel plated brass



AISI 303 Stainless steel



Reinforced polyamide



See pages 94 → 103



See pages 108 → 111



See page 200



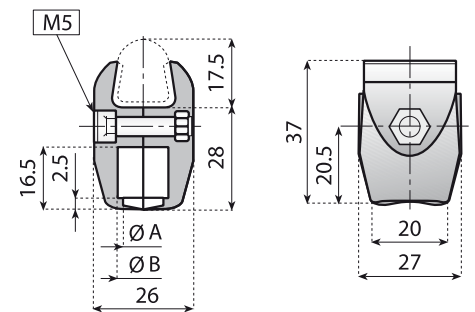
Consult pages 156 → 160 for rod design



SINGLE CLAMP

Material: clamp in reinforced polyamide, bolt in stainless steel, nut in nickel plated brass.
Supply: assembled.

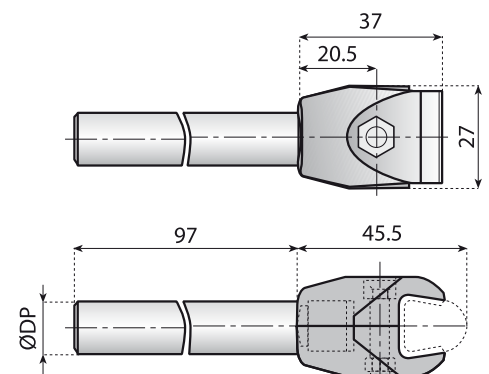
Code	Ø A	Ø B	Type	
13788	10	12	1	n° 50
13006NV	12	13.5	2	



SINGLE CLAMP WITH ROD

Material: clamp in reinforced polyamide, bolt in stainless steel, nut in nickel plated brass, rod in stainless steel AISI 303.
Supply: assembled.

Code	Clamp type	DP	
13789	1	12	n° 50
13190	2	14	
13191	2	16	



Clamps for conical side guides

Preferred type, readily available (codes marked in red)



Nickel plated brass



AISI 303 Stainless steel



Reinforced polyamide



[See pages 94 → 103](#)



[See pages 108 → 111](#)



[See page 200](#)



[Consult pages 156 → 160 for rod design](#)



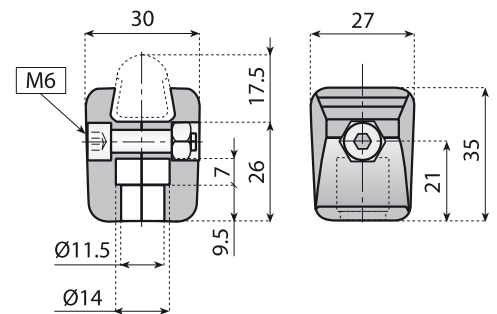
SINGLE CLAMP

Material: clamp in reinforced polyamide, bolt in stainless steel, nut in nickel plated brass.
Supply: assembled.

Code
13006



n° 50



SINGLE CLAMP WITH ROD

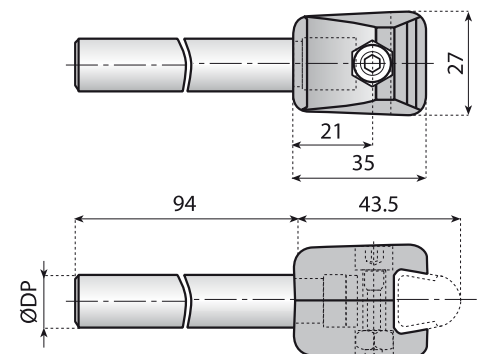
Material: clamp in reinforced polyamide, bolt in stainless steel, nut in nickel plated brass, rod in stainless steel AISI 303.
Supply: assembled.

Code
13192
13193
13194

DP
12
14
16



n° 50



Guide rail clamps



SINGLE CLAMP WITH ROD

Material: clamp in reinforced polyamide, bolt in stainless steel, nut in nickel plated brass, rod in stainless steel AISI 303.
Supply: assembled.

Preferred type, readily available (codes marked in red)



Nickel plated brass



AISI 303 Stainless steel



Reinforced polyamide



See pages 94 → 103



See pages 108 → 111



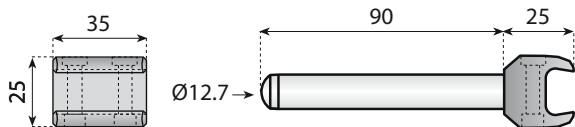
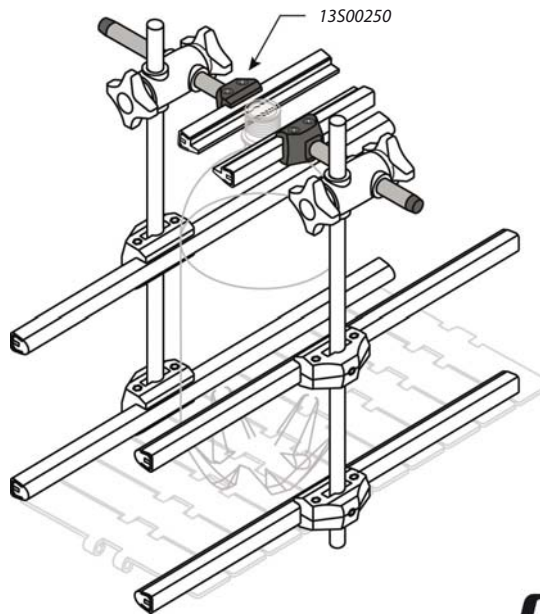
See page 200



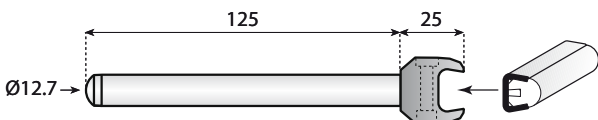
Consult pages 156 → 160 for rod design



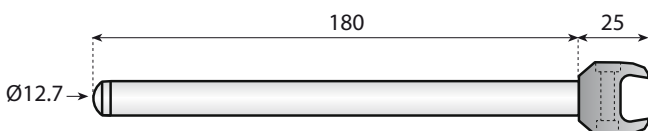
Par. # 5,626,221 (USA)



Code	Ref.		
13S00250	VG-031-12-35	90 mm	n°10



Code	Ref.		
13S00251	VG-031-12-50	125 mm	n°10



Code	Ref.		
13S00252	VG-031-12-70	180 mm	n°10

Clamps for conical side guides

Preferred type, readily available (codes marked in red)



Nickel plated brass



AISI 303 Stainless steel



Reinforced polyamide



See pages 94 → 103



See pages 108 → 111



See page 200



Consult pages 156 → 160 for rod design



SINGLE CLAMP WITH BOLT

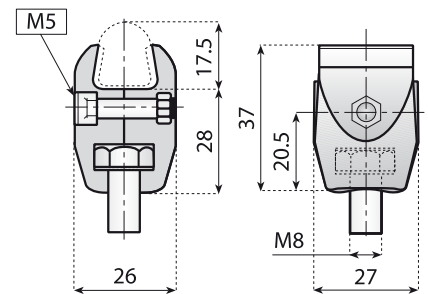
Material: clamp in reinforced polyamide, bolt in stainless steel, nut in nickel plated brass.
Supply: assembled.

Code

13792



n° 50



SINGLE CLAMP WITH ROD

Material: clamp in reinforced polyamide, bolt in stainless steel, nut in nickel plated brass, rod in stainless steel AISI 303.
Supply: assembled.

Code

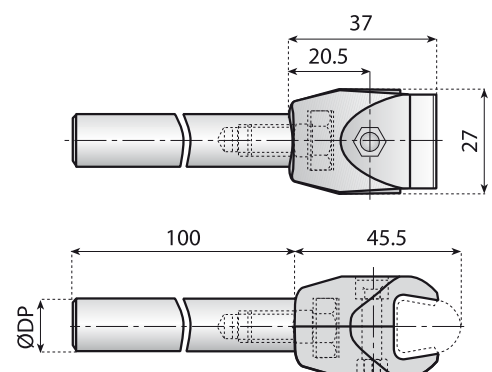
13793
13794
13795

DP

12
14
16



n° 50



Clamps for conical side guides

 Preferred type, readily available (codes marked in red)



Nickel plated brass



AISI 303 Stainless steel



Reinforced polyamide



See pages 94 → 103



See pages 108 → 111



See page 200



Consult pages 156 → 160 for rod design



ADJUSTABLE GUIDE RAIL CLAMP

Material: clamp in reinforced polyamide, bolts in stainless steel, nut in nickel plated brass.

Supply: assembled.

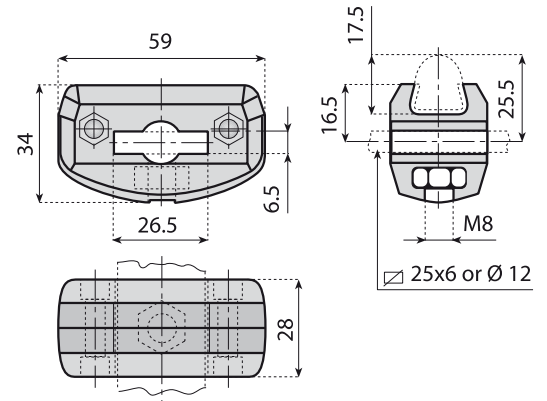
Use: mount on 25x6 flat bar or Ø 12 diameter rod.

Code

13195



n° 50




Quick Claw

PATENT FEATURE

Par. # 6,685,385 (USA)

with special threaded insert

ADJUSTABLE GUIDE RAIL CLAMP

Material: clamp in reinforced polyamide, bolts in stainless steel, nut in nickel plated brass.

Supply: assembled.

Use: mount on 25x6 flat bar or Ø 12 diameter rod.

Code

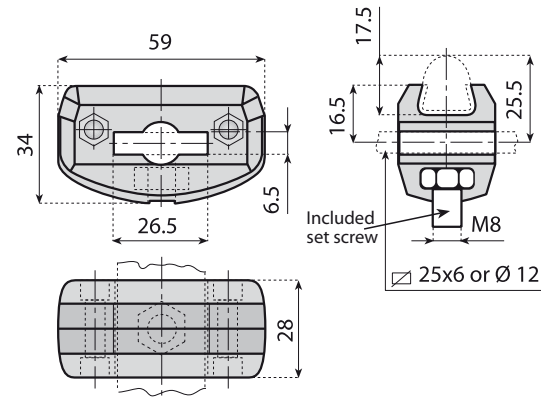
13S00346

Ref.

VG-022-01M



n° 50



ADJUSTABLE GUIDE RAIL CLAMP

Material: clamp in reinforced polyamide, bolts in stainless steel, nut in nickel plated brass.

Supply: assembled.

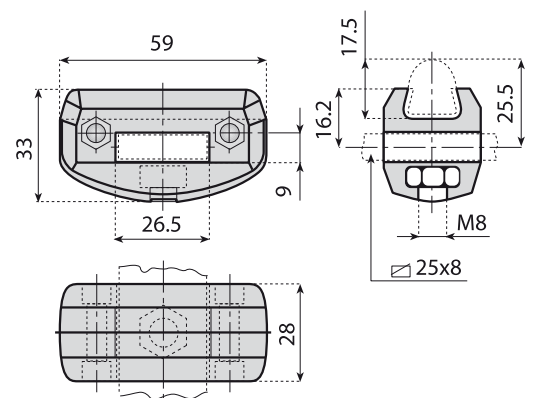
Use: mount on 25x8 flat bar.

Code

13007



n° 50



Clamps for conical side guides

Preferred type, readily available (codes marked in red)



Nickel plated brass



AISI 303 Stainless steel



Reinforced polyamide



See pages 94 → 103



See pages 108 → 111



See page 200



Consult pages 156 → 160 for rod design



ADJUSTABLE GUIDE RAIL CLAMP

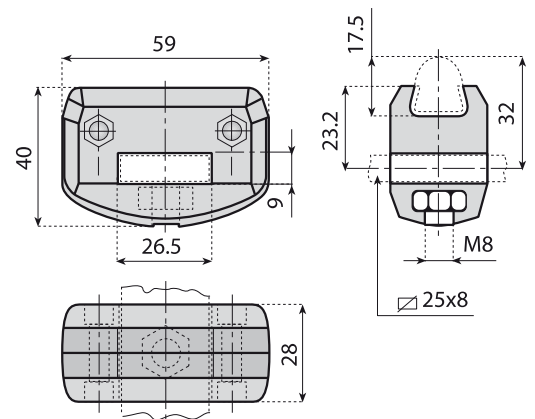
Material: clamp in reinforced polyamide, bolts in stainless steel, nut in nickel plated brass.
Supply: assembled.
Use: mount on 25x8 flat bar.

Code

13196



n° 50



ADJUSTABLE GUIDE RAIL CLAMP

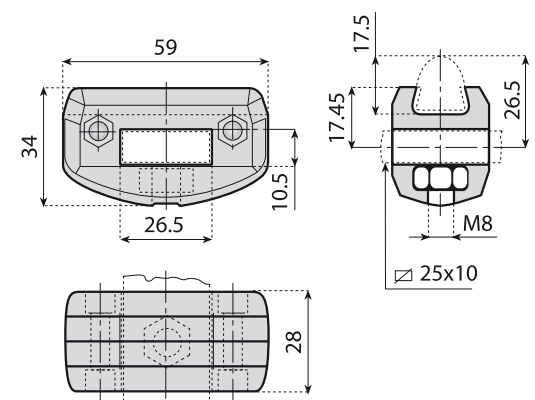
Material: clamp in reinforced polyamide, bolts in stainless steel, nut in nickel plated brass.
Supply: assembled.
Use: mount on 25x10 flat bar.

Code

13197



n° 50



Clamps for conical side guides

 Preferred type, readily available (codes marked in red)



Nickel plated brass



AISI 303 Stainless steel



Reinforced polyamide



[See pages 94 → 103](#)



[See pages 108 → 111](#)



[See page 200](#)



[Consult pages 156 → 160 for rod design](#)



SINGLE CLAMP

Use: it connects guide rail to bracket or rod using a standard M8 cap screw.

Code

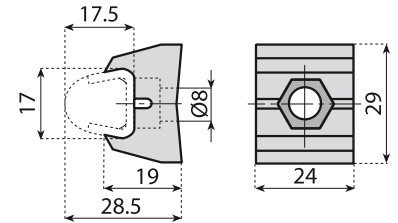
13012



n° 50



PA-FG

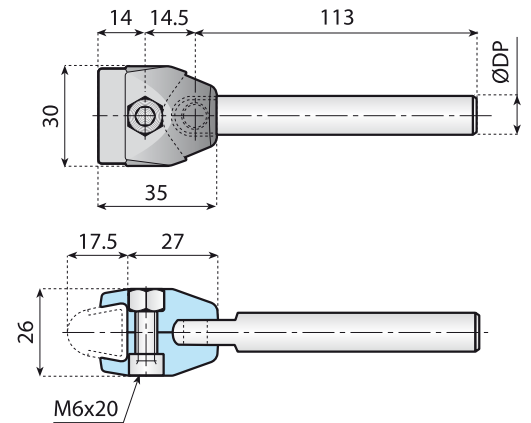


SWIVEL CLAMP

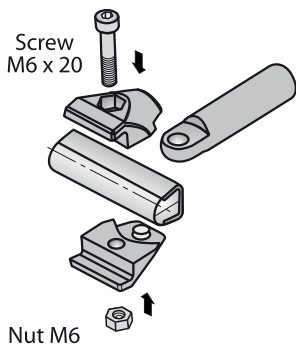
Material: reinforced polyamide, nut, washer and rod in stainless steel.

Supply: assembled.

Note: code 13167 is supplied without rod.



APPLICATION EXAMPLE



Nut M6

Code

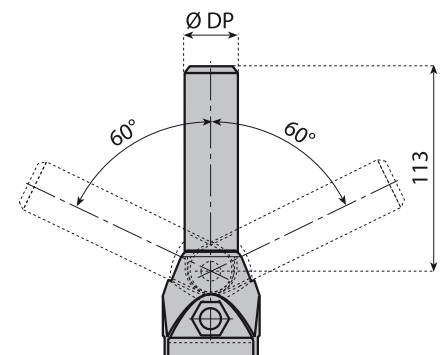
13167
13168
13169
13170

DP

-
12
14
16




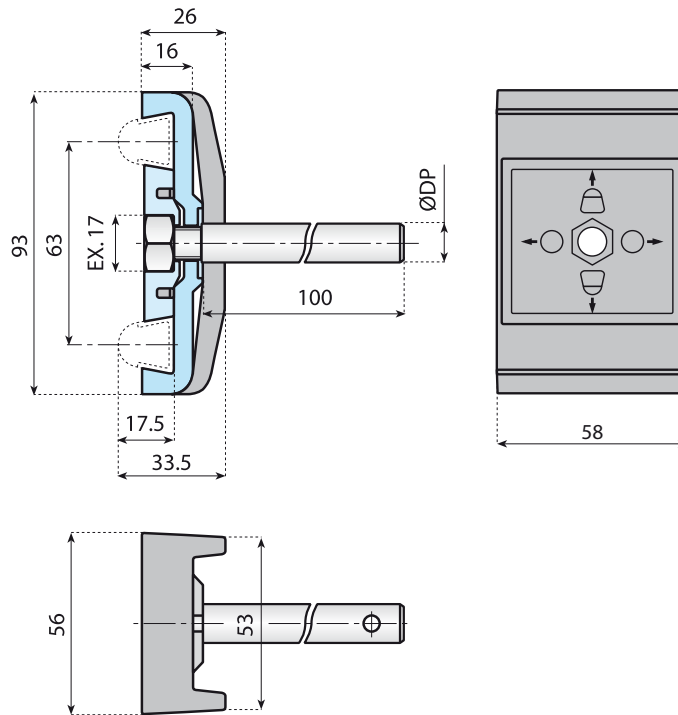
n° 50



This design allows a max. swivel angle of 120°

Clamps for conical side guides

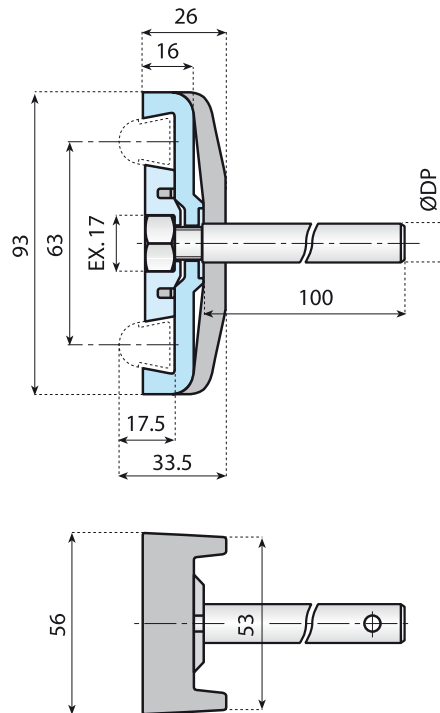
 Preferred type, readily available
(codes marked in red)



DOUBLE CLAMP WITH ROD

Material: reinforced polyamide, nut, washer rod in stainless steel.
Supply: assembled.

Code	Ref.	DP	
13S00500	VG-011-01-P-M10	-	n° 10
13S00502	VG-011-01-P222-100	12	
13S00505	VG-011-01-P224-100	14	
13S00503	VG-011-01-P242-100	10	



DOUBLE CLAMP WITH ROD

Material: reinforced polyamide, nut, washer rod in stainless steel.
Supply: assembled.
Note: code 13008NV is supplied without rod.

Code	DP	
13008NV	-	n° 50
13009NV	12	
13010NV	14	
13011NV	16	



Nickel plated brass



AISI 303 Stainless steel



Reinforced polyamide



[See pages 108 → 111](#)



[See page 200](#)

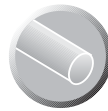


[See pages 94 → 103](#)



[Consult pages 156 → 160 for rod design](#)

Clamps for conical side guides and for round guide rails



See page 121



Nickel plated brass



SS 303
AISI 303
Stainless steel



Reinforced polyamide



See pages 94 → 103



See pages 108 → 111



See pages 200



Consult pages 156 → 161 for rod design

DOUBLE CLAMP

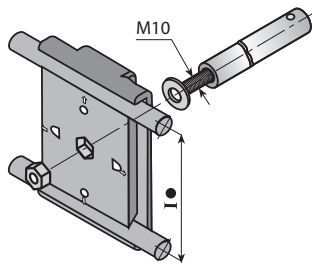
Material: reinforced polyamide, nut, washer and rod in stainless steel.
Codes 13175-13351-13163 are supplied without rod and nut.

Application: the clamp is designed to be used with either the conical or \varnothing 12 mm round guide rails, simply by turning the internal flange plate.

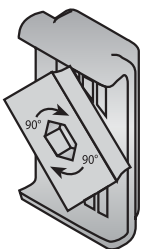
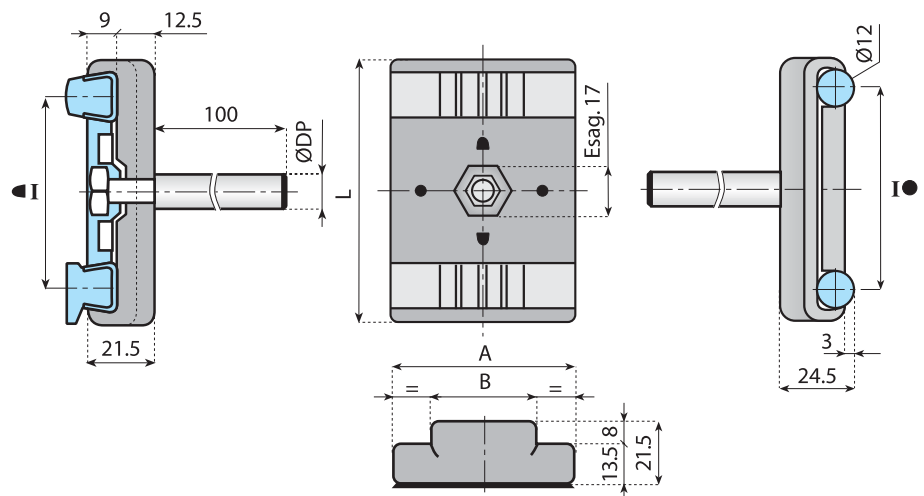
Use: to support rods or conical guide rails with increased centers.

Supply: assembled.

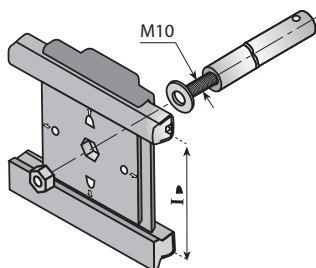
Preferred type, readily available (codes marked in red)



Flange position for assembling conical side guide



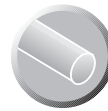
Rotate center piece 90°



Flange position for assembling \varnothing 12 mm rod

Code	I ●	I ◻	L	A	B	Ø DP	
13175						-	
13176	51	47	70	43	30	12	n° 50
13177						14	
13178						16	
13351						-	
13352	69	65	90	61	35	12	n° 50
13353						14	
13354						16	
13163						-	
13164	89	85	110	80	40	12	n° 50
13165						14	
13166						16	

Clamps for conical side guides and for round guide rails



See page 121



Nickel plated brass



AISI 303 Stainless steel



Reinforced polyamide



See pages 94 → 103



See pages 108 → 111



See page 200



Consult pages 156 → 161 for rod design

DOUBLE CLAMP

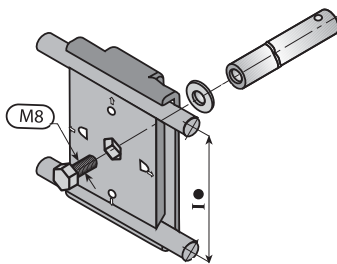
Material: reinforced polyamide, screw, washer and rod in stainless steel. Codes 13175F - 13351F - 13163F are supplied without rod and screw.

Application: the clamp is designed to be used with either the conical or Ø 12 mm round guide rails, simply by turning the internal flange plate.

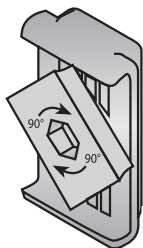
Use: to support rods or conical guide rails with increased centers.

Supply: assembled.

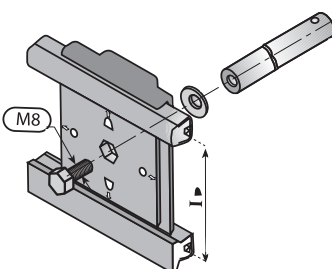
Preferred type, readily available (codes marked in red)



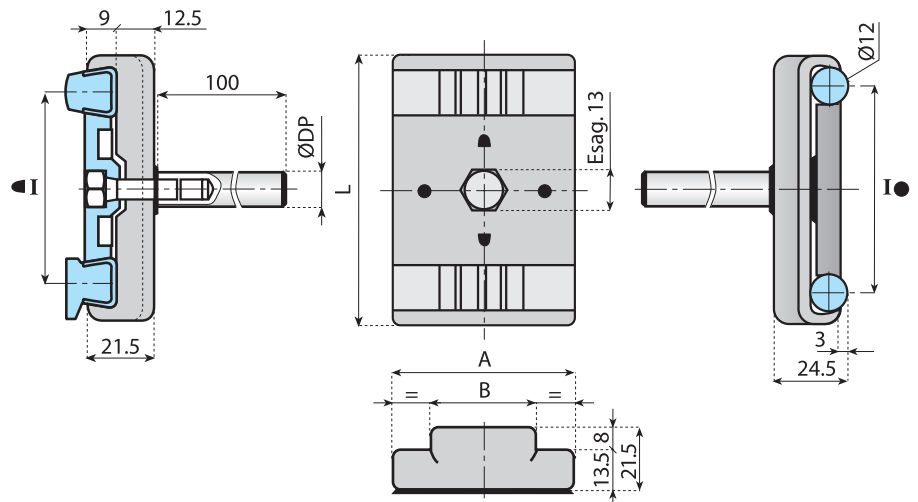
Flange position for assembling conical side guide



Rotate center piece 90°



Flange position for assembling Ø 12 mm rod



Code	I ●	I ▸	L	A	B	Ø DP	
13175F						-	
13176F	51	47	70	43	30	12	n° 50
13177F						14	
13178F						16	
13351F						-	
13352F	69	65	90	61	35	12	n° 50
13353F						14	
13354F						16	
13163F						-	
13164F	89	85	110	80	40	12	n° 50
13165F						14	
13166F						16	

Clamps for conical side guides

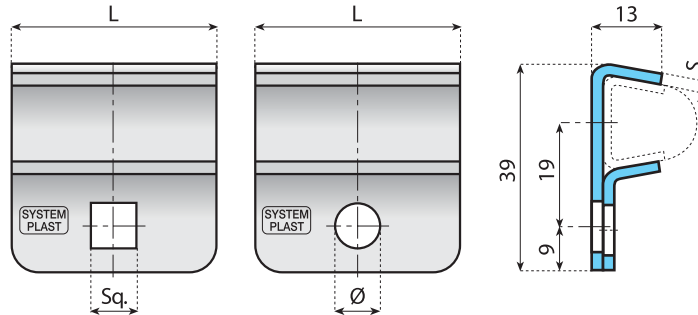
 Preferred type, readily available (codes marked in red)



See pages
94 → 103



AISI 304
Stainless steel




SINGLE RAIL CLAMP

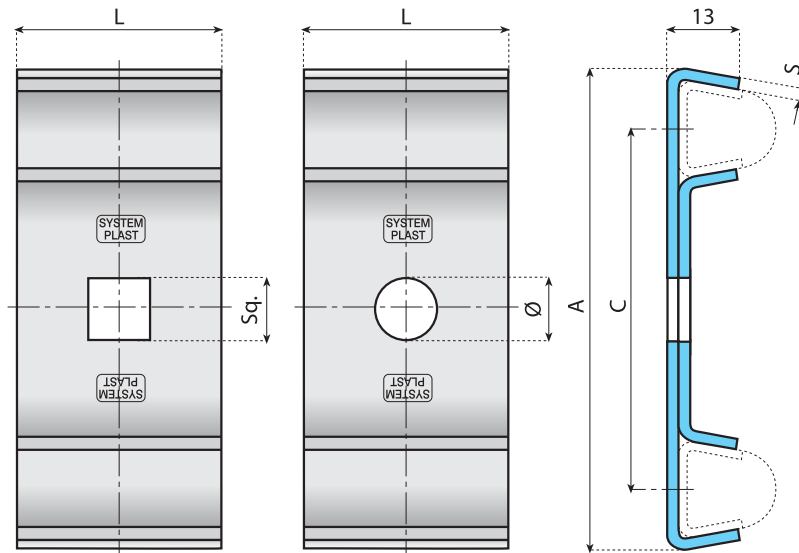
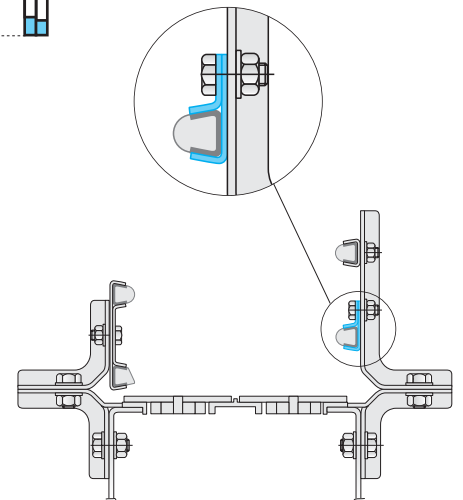
Thickness: $S = 2 \text{ mm}$.

Use: to support conical guide.

Note: round hole version accepts a M8 bolt and square hole version accepts a M8 carriage bolt.

Available in two lengths 38.1 mm wide and 76.2 mm wide for splicing.
Tightening bolt not included.

Code	Ref.	L mm	Ø ●	Sq. ■		Material
13014	VG-012-01	38.1	8.1	–		
13014S	VG-012-SH	38.1	–	9	n° 50	SS 304
13014L	VG-012-03	76.2	8.1	–		
13014SL	VG-012-03-SH	76.2	–	9		




DOUBLE RAIL CLAMP

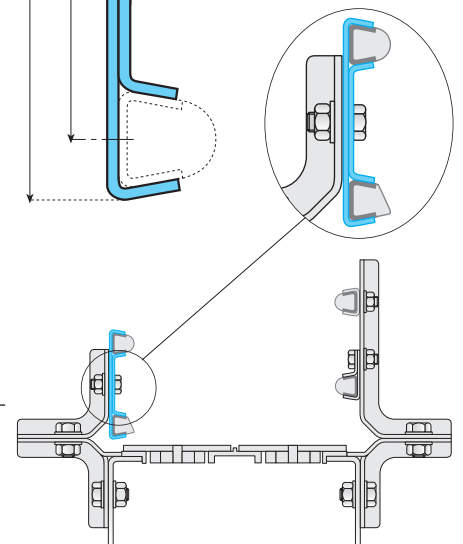
Thickness: $S = 2.5 \text{ mm}$.

Use: to support conical guide.

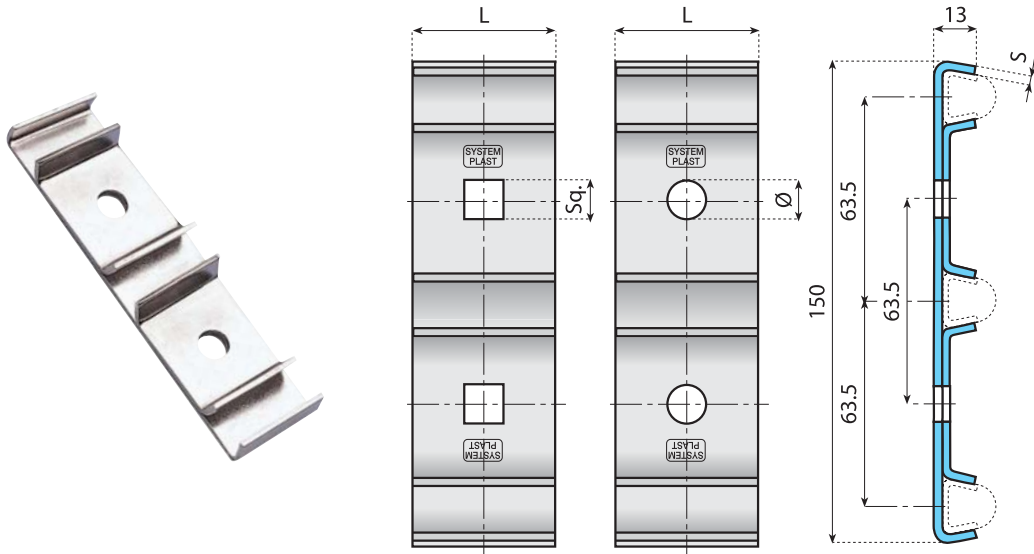
Note: round hole version accepts a M8 bolt and square hole version accepts a M8 carriage bolt.

Available in two lengths 38.1 mm wide and 76.2 mm wide for splicing.
Tightening bolt not included.

Code	L mm	A mm	C mm	Ø ●	Sq. ■		Material
13013		86	63.5	10.5	–		
13013S		86	63.5	–	9		
131001	38.1	106.5	84	10.5	–		
131001S		106.5	84	–	9	n° 50	SS 304
131002		117.7	95.2	10.5	–		
131002S		117.7	95.2	–	9		



Clamps for conical side guides



See pages
94 → 103



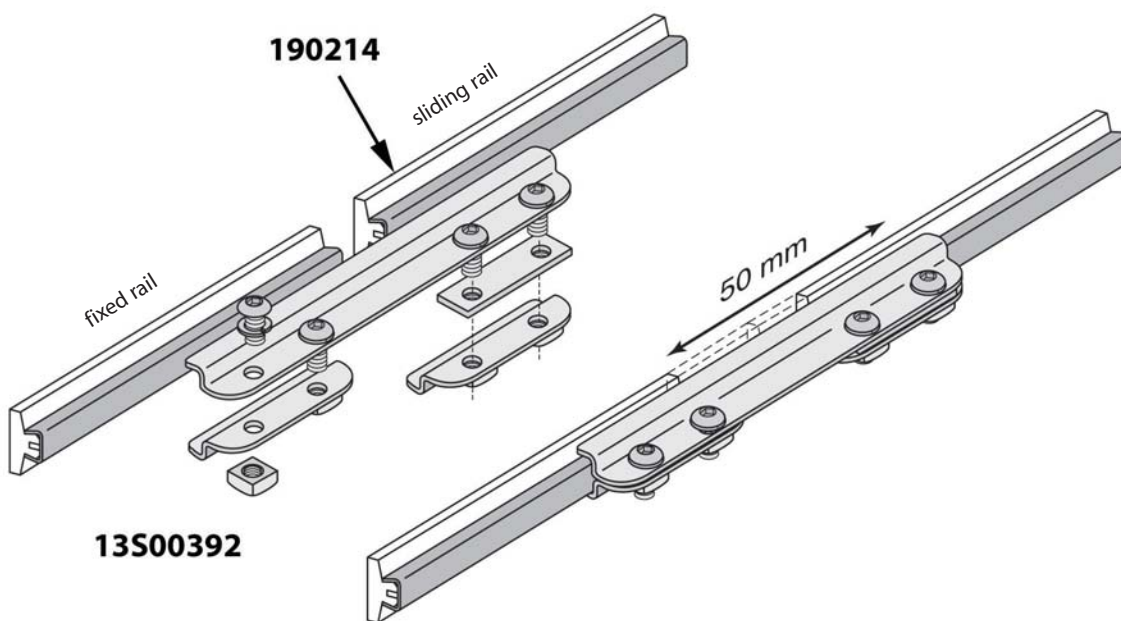
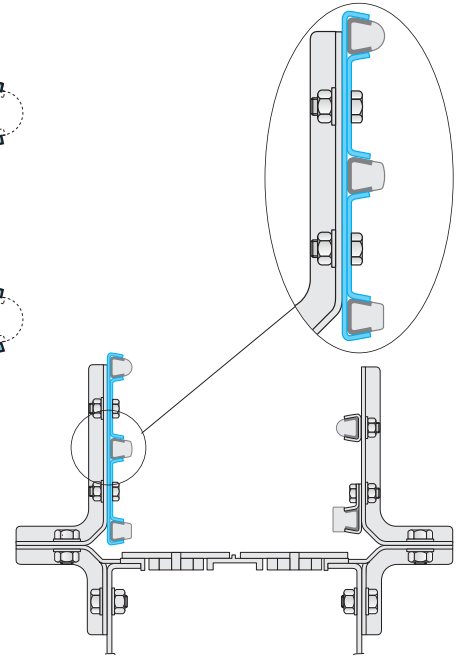
AISI 304
Stainless steel

TRIPLE RAIL CLAMP

Material: stainless steel AISI 304,
Thickness: $S = 2.5$ mm.

Note: used with toll containers or when large and small containers run on the same production line. Tightening bolt not included.

Code	L mm	Ø ●	Sq. ■	n°	Material
131003	38.1	10.5	-	n° 50	SS 304
131003S	38.1	-	9		



304 Stainless steel



Par. # 6,053,654
(USA)



ADJUSTABLE SPLICING CLAMP

Allows one rail to slide within the clamp while the other remains fixed.

Code	Ref.	L	n°
13S00392	VG-113SM-08G	203 mm	n° 2

Clamp for conical side guides

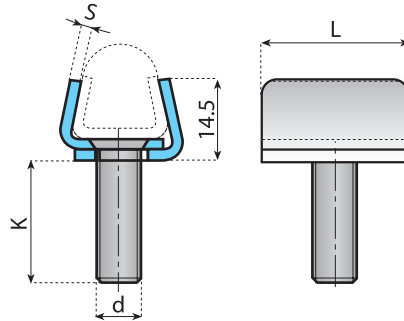
 Preferred type, readily available (codes marked in red)



AISI 304
Stainless steel



[See pages
94 → 103](#)




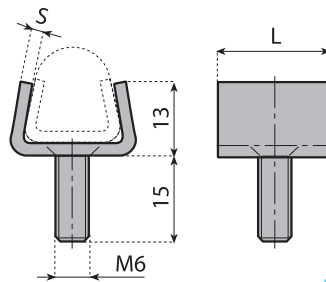
HEAVY DUTY CLIP

Material: stainless steel AISI 304, thickness $S = 2.5$ mm.

Use: two piece compression style for easy assembly and adjustment. Nut and washer not included.

Note: max recommended tightening torque 2.0 Kgm.

Code	Ref.	L mm	K mm	d thread size	
131004	VG-018M-01		15.2		
131005	VG-018M-02		20		
131006	VG-018M-03	26	25.5	M8	n° 100
131007	VG-018M-04		30		



*Light
duty*




AISI 304
Stainless steel

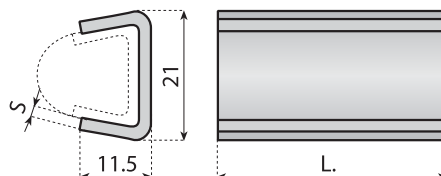
SINGLE CLAMP

Material: stainless steel AISI 304, thickness $S = 2.5$ mm.

Use: easy assembly of guide profiles.

Note: max recommended tightening torque 1.8 Kgm.

Code	L	
13796	20 mm	n° 100




AISI 304
Stainless steel

CONNECTING ELEMENT

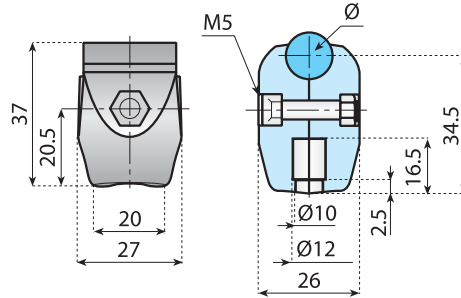
Material: stainless steel AISI 304, thickness $S = 2.5$ mm.

Use: to connect two guide rails. The part can be tapped on with a hammer.

Code	L	
13015	38 mm	n° 50
13120	50 mm	

Clamps for round profile guides

Preferred type, readily available (codes marked in red)



AISI 303
Stainless steel



Reinforced
polyamide



[Consult see page 121 for roud profile](#)

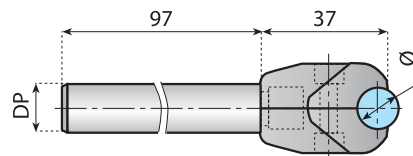


[Consult pages 156 →160 for rod design](#)

SINGLE CLAMP

Material: clamp in reinforced polyamide, bolt in stainless steel nut in nickel plated brass.
Supply: assembled.

Code	For guide Ø	
13960	8	n° 50
13961	10	
13721	12	
13725	14	



AISI 303
Stainless steel



Reinforced
polyamide



[Consult see page 121 for roud profile](#)



[Consult pages 156 →160 for rod design](#)

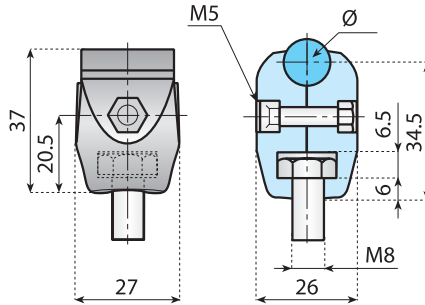
SINGLE CLAMP WITH ROD

Material: clamp in reinforced polyamide, bolt in stainless steel nut in nickel plated brass, rod in stainless steel AISI 303.
Supply: assembled.

Code	DP	For guide Ø	
13962	12	8	n° 50
13963	14		
13964	16		
13965	12	10	n° 50
13966	14		
13967	16		
13722	12	12	n° 50
13723	14		
13724	16		
13726	12	14	n° 50
13727	14		
13728	16		

Clamps for round profile guides

 Preferred type, readily available (codes marked in red)



AISI 303
Stainless steel



Reinforced
polyamide



Consult see page
121
for roud profile



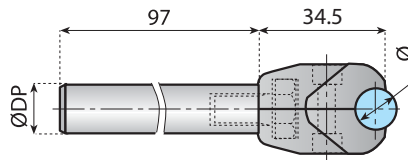
Consult pages
156 → 160
for rod design

SINGLE CLAMP

Material: clamp in reinforced polyamide, bolt in stainless steel nut in nickel plated brass.

Supply: assembled.

Code	For guide Ø	
13968	8	n° 50
13969	10	
13729	12	
13733	14	



AISI 303
Stainless steel



Reinforced
polyamide



Consult see page
121
for roud profile



Consult pages
156 → 160
for rod design

SINGLE CLAMP WITH ROD

Material: clamp in reinforced polyamide, bolt in stainless steel nut in nickel plated brass, rod in stainless steel AISI 303.

Supply: assembled.

Code	DP	For guide Ø	
13970	12	8	n° 50
13971	14		
13972	16		
13973	12	10	n° 50
13974	14		
13975	16		
13730	12	12	n° 50
13731	14		
13732	16		
13734	12	14	n° 50
13735	14		
13736	16		

Clamps for round profile guides

Preferred type, readily available (codes marked in red)



AISI 304
Stainless steel



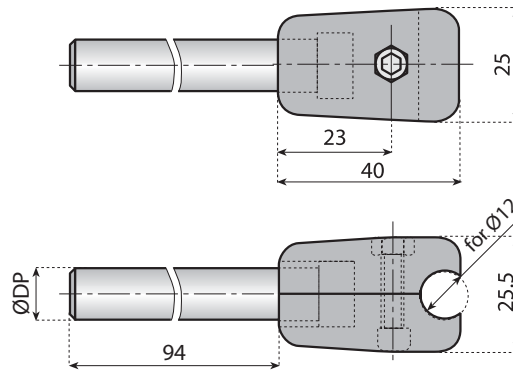
Reinforced
polyamide



Consult see page
121
for roud profile



Consult pages
156 → 160
for rod design



SINGLE CLAMP

Material: clamp in reinforced polyamide, bolt and rod in stainless steel nut in nickel plated brass.

Supply: assembled.

Note: code 13745 is supplied without rod.

Code	DP	
13745	-	
13977	12	n° 50
13978	14	
13979	16	



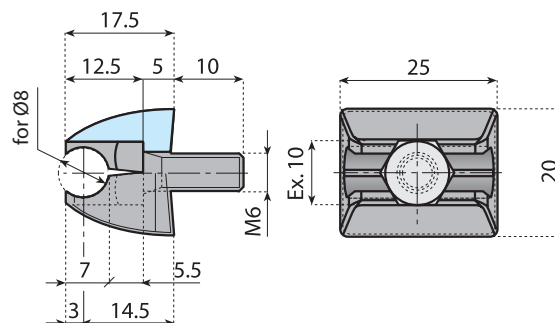
AISI 304
Stainless steel



Reinforced
polyamide



Consult see page
121
for roud profile



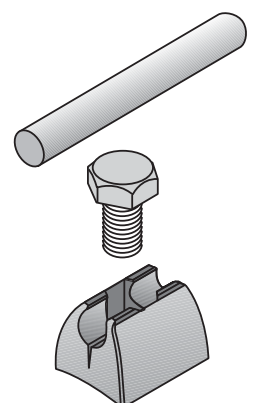
CLIP-ON SINGLE CLAMP

Material: clamp in polyamide, bolt stainless steel

Use: with round profile guide Ø8 mm.

Supply: assembled.

Code	
13980	n° 100



Clamps for round profile guides

 Preferred type, readily available (codes marked in red)



AISI 304
Stainless steel



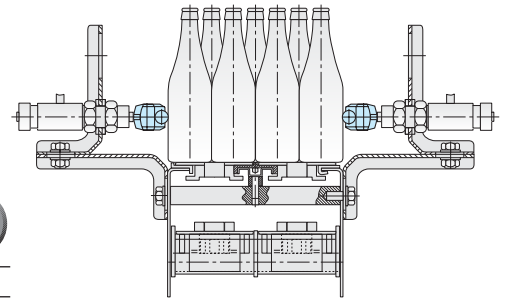
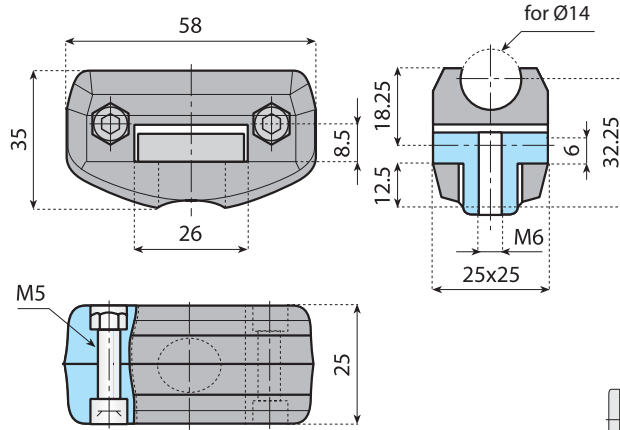
Reinforced
polyamide



[Consult see page 121 for round profile](#)



[Consult pages 156 → 160 for rod design](#)



SINGLE CLAMP

Material: clamp in reinforced polyamide, bolt in stainless steel, nut and threaded bushing in nickel plated brass.

Use: with round profile guide Ø14 mm.

Supply: assembled.

Code
13742



n° 50



AISI 304
Stainless steel



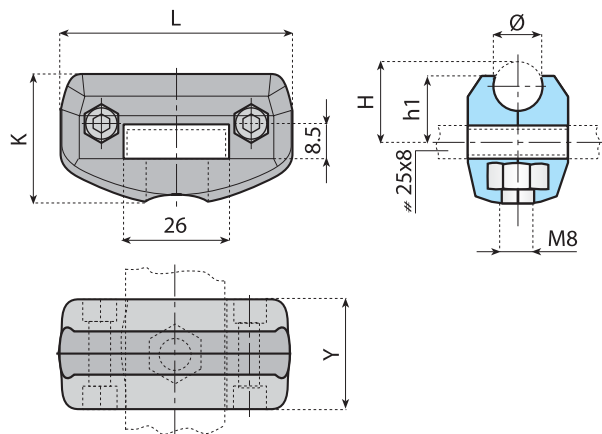
Reinforced
polyamide



[Consult see page 121 for round profile](#)



[Accessories](#)



Range
extension

ADJUSTABLE CLAMP

Material: clamp in reinforced polyamide, bolt in stainless steel, nut in nickel plated brass.

Supply: assembled.

Code	Ø	L	K	Y	H	h1	
13743	8	58	33	21	18	16	n° 50
13741	10	58	33	21	18.5	16	
13744NV	12	59	34.5	24	21	19	
13740	14	58	34	25	22	17.5	



Clamps for round profile guides

Preferred type, readily available (codes marked in red)



AISI 304
Stainless steel



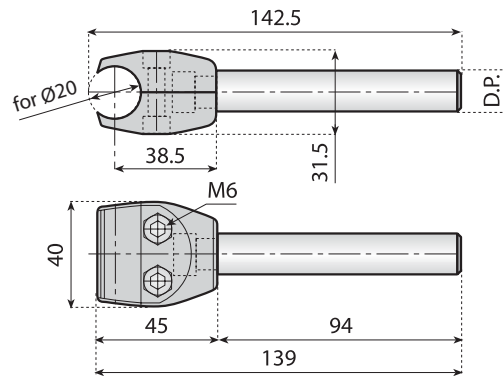
Reinforced
polyamide



[Consult see page 121 for roud profile](#)



[Consult pages 156 → 160 for rod design](#)



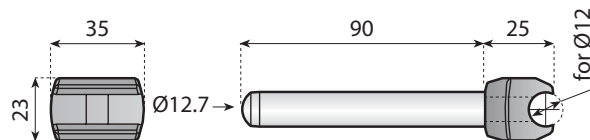
DOUBLE CLAMP WITH ROD

Material: clamp in reinforced polyamide, bolt nut and rod in stainless steel.

Supply: assembled.

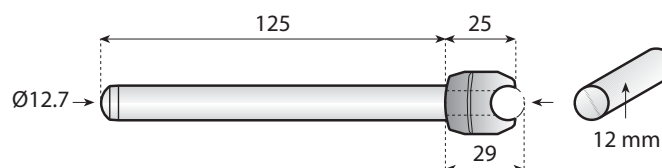
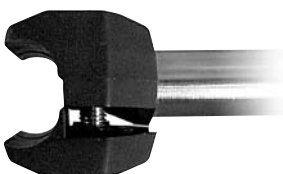
Note: code 13771 is supplied without rod.

Code	DP	
13771	—	
13772	12	n° 50
13773	14	
13774	16	



Par.
5,626,221
(USA)

Code	Ref.		
13500253	VG-032-12-35	90 mm	n°10



SINGLE CLAMP WITH ROD

Material: clamp in reinforced polyamide, bolt in stainless steel, nut in nickel plated brass, rod in stainless steel AISI 303.

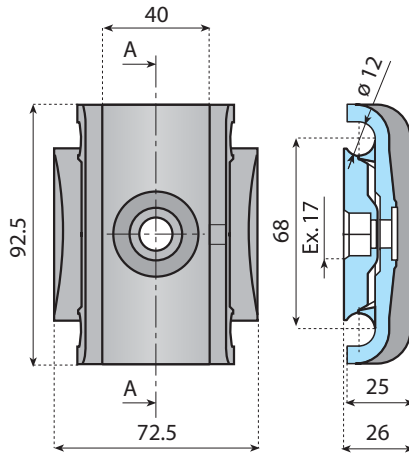
Supply: assembled.

Code	Ref.		
13500254	VG-032-12-50	125 mm	n°10

Clamps for round profile guides

 Preferred type, readily available (codes marked in red)

IMPROVED DESIGN



SS 304

AISI 304
Stainless steel

PA FG

Reinforced polyamide



[Consult see page 121 for round profile](#)



[Consult pages 156 → 160 for rod design](#)

Code

13761XP



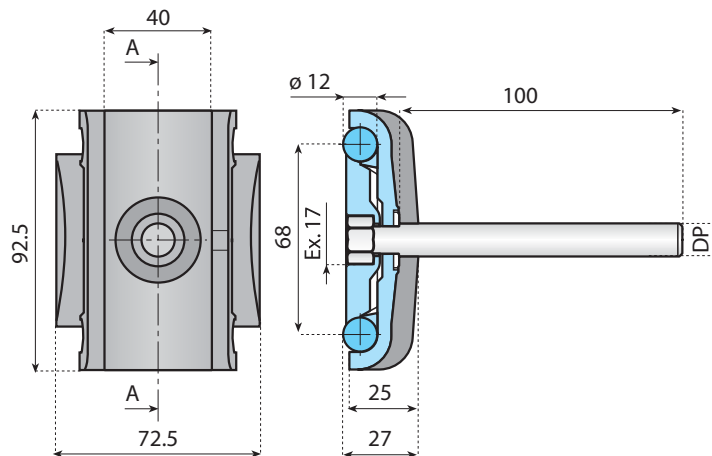
n° 50

DOUBLE CLAMP WITH ROD

Material: clamp in reinforced polyamide, nut and rod in stainless steel.

Supply: assembled.

Note: code 13761XP is supplied without rod.



Code

13770XP
13772XP
13773XP

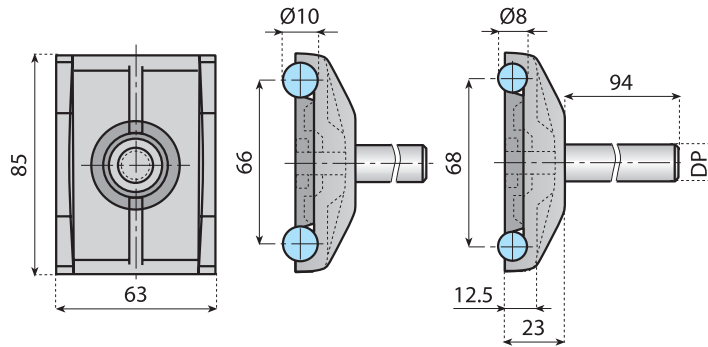
DP

12
14
16



n° 50

Clamps for round profile guides



DOUBLE CLAMP FOR ROUND PROFILE GUIDES Ø 8-10 mm

Material: clamp in reinforced polyamide bolt, nut and rod in stainless steel.

Note: code 13754 is supplied without rod.

Use: round profile guides (8 or 10 mm) can be used simply turning the flange position.

Code	DP	
13754	-	
13755	12	n° 50
13756	14	
13757	16	



AISI 304
Stainless steel



Reinforced
polyamide



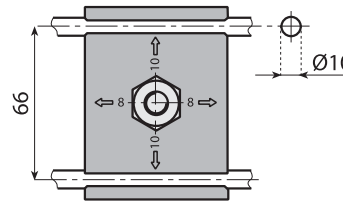
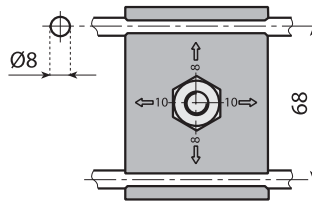
[Consult see page 121 for roud profile](#)



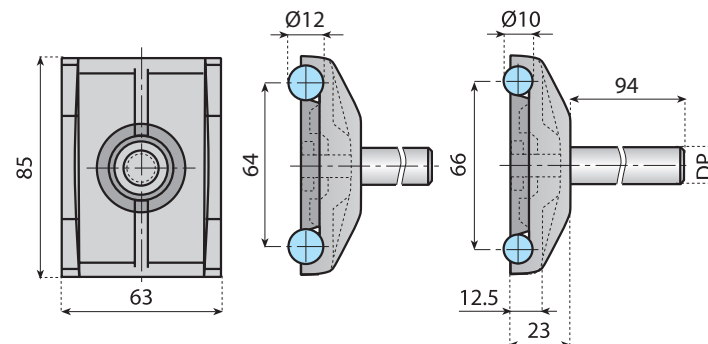
[Consult pages 156 → 160 for rod design](#)

Flange position for assembling guides with diam. d = 8 mm.

Flange position for assembling guides with diam. d = 10 mm.



Application example



DOUBLE CLAMP FOR ROUND PROFILE GUIDES Ø 10-12 mm

Material: clamp in reinforced polyamide bolt, nut and rod in stainless steel AISI 304

Note: code 13777 is supplied without rod.

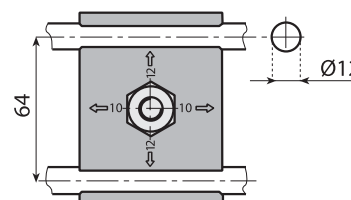
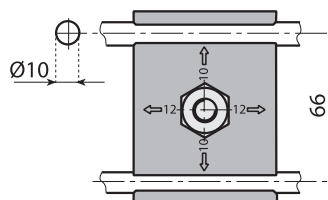
Use: round profile guides (10 or 12 mm) can be used simply turning the flange position.

Code	DP	
13777	-	
13778	12	n° 50
13779	14	
13780	16	



Flange position for assembling guides with diam. d = 10 mm

Flange position for assembling guides with diam. = 12 mm



Application example

Clamps for standard side guides

 Preferred type, readily available (codes marked in red)



Nickel plated brass



AISI 303 Stainless steel



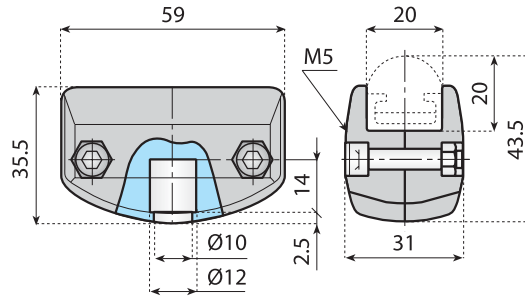
Reinforced polyamide



[See page 115](#)



[Consult pages 156 → 160 for rod design](#)



Code

13001

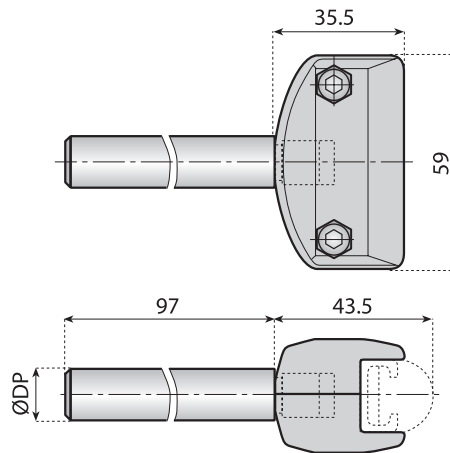


n° 100

SINGLE CLAMP

Material: clamp in reinforced polyamide, bolt in stainless steel, nut in nickel plated brass.

Supply: assembled.



Code

13002

13003

13004

DP

12

14

16

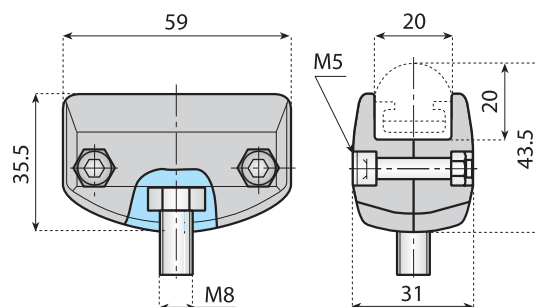


n° 50

SINGLE CLAMP WITH ROD

Material: clamp in reinforced polyamide, bolt in stainless steel, nut in nickel plated brass, rod in stainless steel AISI 303.

Supply: unassembled.



Code

13184



n° 100

SINGLE CLAMP

Material: clamp in reinforced polyamide, bolt in stainless steel, nut in nickel plated brass.

Supply: assembled.

Clamps for standard side guides

Preferred type, readily available (codes marked in red)



Nickel plated brass



AISI 303 Stainless steel



Reinforced polyamide



See page 115



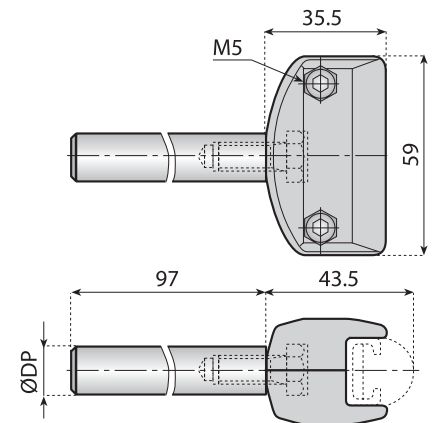
Consult pages 156 → 160 for rod design



SINGLE CLAMP WITH ROD

Material: clamp in reinforced polyamide, bolt in stainless steel, nut in nickel plated brass, rod in stainless steel AISI 303.
Supply: unassembled.

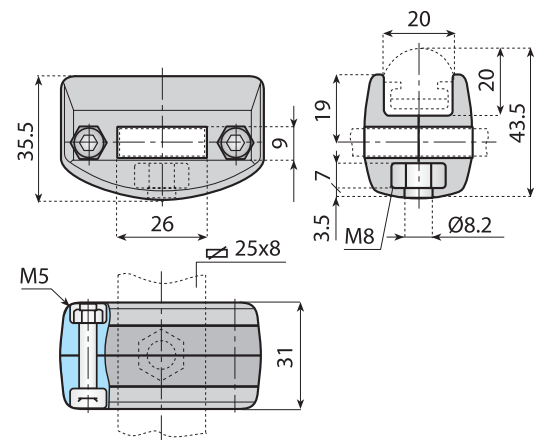
Code	DP	
13797	12	n° 50
13798	14	
13799	16	



ADJUSTABLE SINGLE CLAMP

Material: clamp in reinforced polyamide, bolt in stainless steel, nut in nickel plated brass.
Supply: assembled.

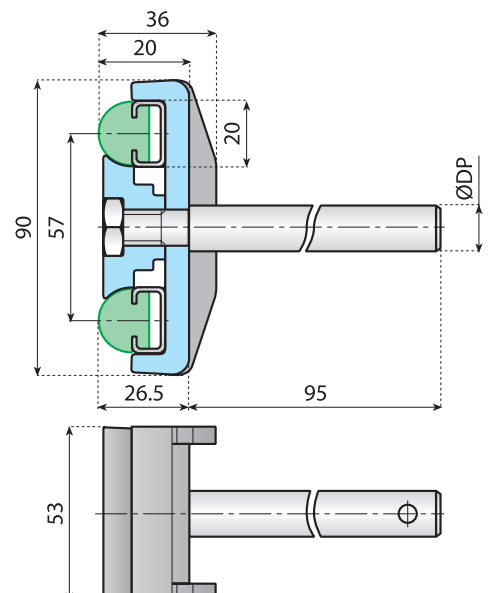
Code	DP	
13005	-	n° 50



DOUBLE CLAMP WITH ROD

Material: clamp in reinforced polyamide, nut and rod in stainless steel.
Note: code 13525 is supplied without rod.
Supply: unassembled.

Code	DP	
13525	-	n° 50
13526	12	
13527	14	
13720	16	



Accessories for flat side guides

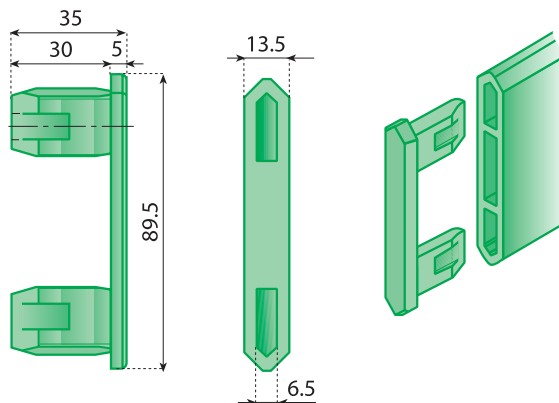
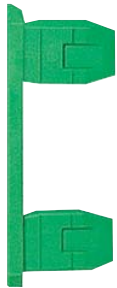
 Preferred type, readily available (codes marked in red)



Reinforced polyamide



[See page 118](#)



END-PLUG

Use: with flat side guide code 19098 - 19098L

Code

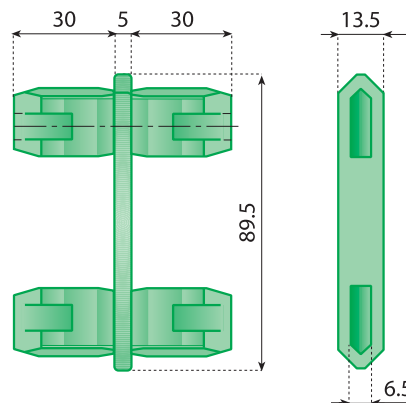
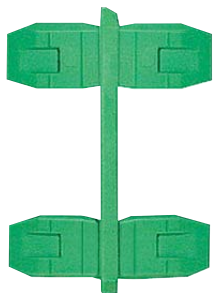
13995



n° 10



PA-FG



CONNECTING PLUG

Use: with flat side guide code 19098 - 19098L

Code

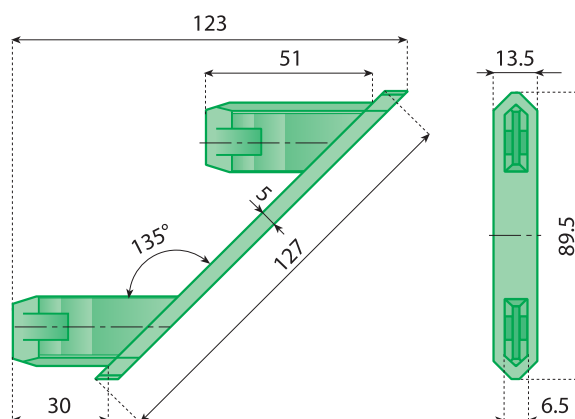
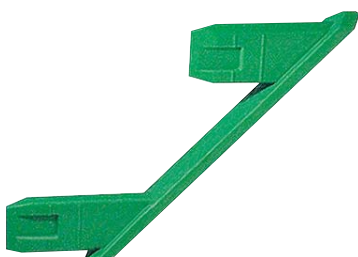
13996



n° 10



PA-FG



END-PLUG

Use: with flat side guide code 19098 - 19098L

Code

13997



n° 10



PA-FG

Clamps for flat side guide

Preferred type, readily available (codes marked in red)



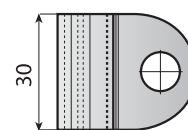
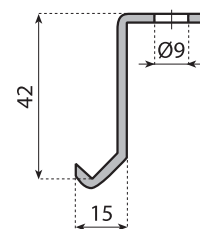
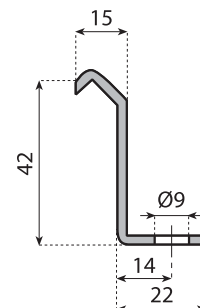
See page
[118](#)



AISI 304
Stainless steel



Consult pages
[156](#) - [160](#)
for rod design



FIXING CLAMP

Thickness: $S = 3$ mm.

Surface: tumbling finish.

Use: with flat side guide code 19098 - 19098L

Note: the clamp is supplied without rod and bolt.

Supply: unassembled.

Code

13994

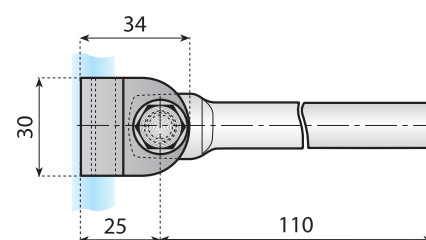
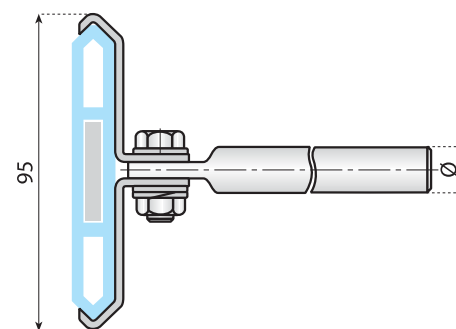


n° 50



Material

SS 304



FIXING CLAMP WITH ROD

Material: clamp, rod, screw and washer in stainless steel.

Thickness: $S = 3$ mm.

Surface: tumbling finish.

Use: with flat side guide code 19098 - 19098L

Supply: unassembled.

Code

13982

13983

13984

Rod \varnothing

12

14

16



n° 50

Accessories for side guide (large type)

 Preferred type, readily available (codes marked in red)



AISI 304
Stainless steel



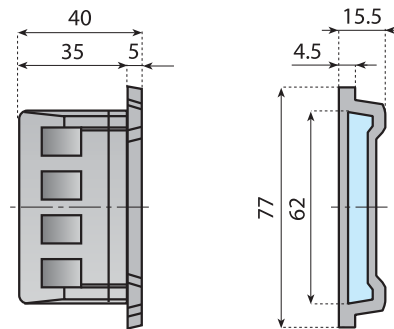
Reinforced
polyamide



See page
118



Consult pages
156 → 160
for rod design



END-PLUG

Use: with side guide rails code 19082 - 19082L

Code

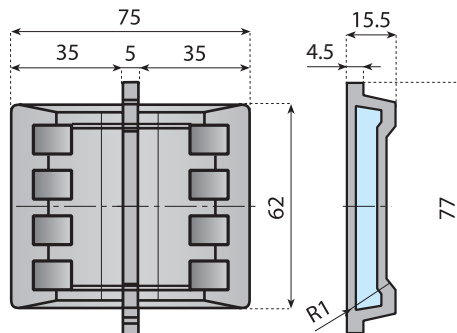
13784



n° 10



PA-FG



PLUG

Use: with side guide code 19082 - 19082L

Code

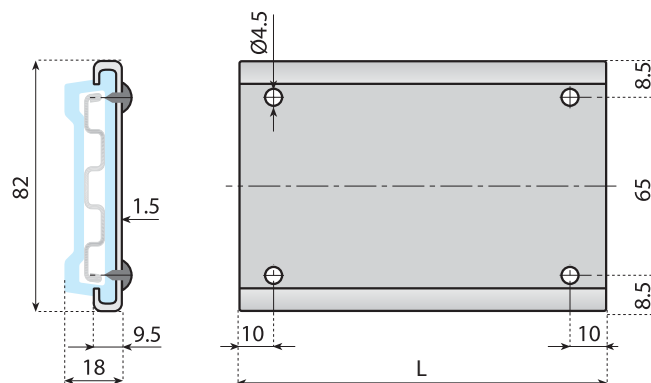
13785



n° 10



PA-FG



COMBINER-CLAMP

Material: clamp and screws in stainless steel AISI 304.

Thickness: S = 1.5 mm.

Surface: scoch brite finish.

Use: with side guide code 19082 - 19082L

***Packaging:** 10 pieces, complete with fixing screws.

Code

13836

L

100



n° 10*



SS 304

18333

150

Clamps for side guide (large type)

Preferred type, readily available (codes marked in red)



FIXING CLAMP One piece

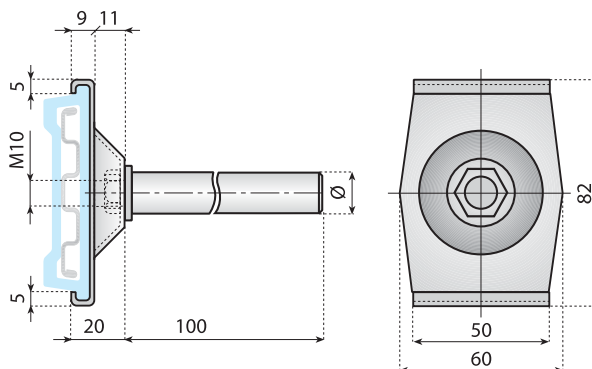
Material: clamp, washer and rod in stainless steel AISI 304.

Thickness: $S = 1.5$ mm.

Surface: scotch brite finish.

Note: code 13171 is supplied without rod.

Supply: unassembled.



Code

Code	For rod \varnothing (mm)	Material
13171	-	-
13172	12	n° 50
13173	14	SS 304
13174	16	



Reinforced polyamide



AISI 304
Stainless steel



See page 118

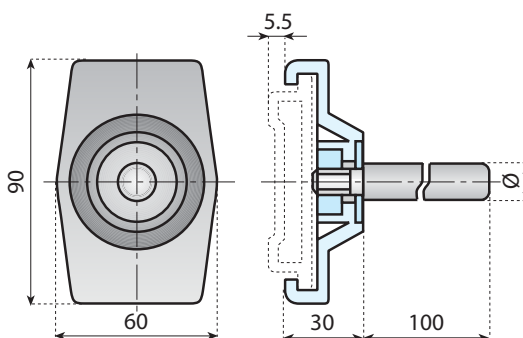


Consult pages 156 → 160 for rod design



FIXING CLAMP

Material: clamp in reinforced polyamide, bolt and rod in stainless steel.



Code

Code	For rod \varnothing (mm)	Material
13719	-	-
13737	12	n° 50
13738	14	
13739	16	



FIXING CLAMP Two pieces

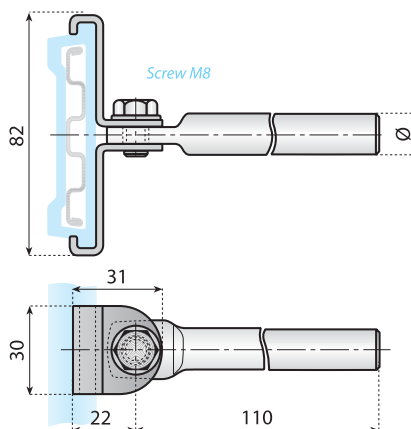
Material: clamp, screws, washer and rod in stainless steel AISI 304.

Thickness: $S = 3$ mm.

Surface: tumbling finish.

Note: code 13834 is supplied without rod.

Supply: unassembled.



Code

Code	For rod \varnothing (mm)	Material
13834	-	-
13985	12	n° 50
13986	14	SS 304
13987	16	



Accessories for side guides (extra large type)

 Preferred type, readily available (codes marked in red)



AISI 304
Stainless steel



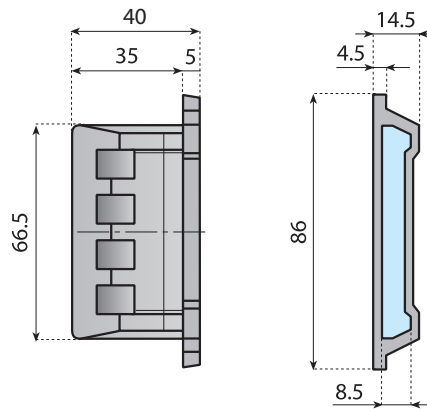
Reinforced
polyamide



See page
118



Consult pages
156 → 160
for rod design



END-PLUG

Material: reinforced polyamide.

Use: with extra side guide code 19050 - 19050L

Packaging: 10 pieces.

Code

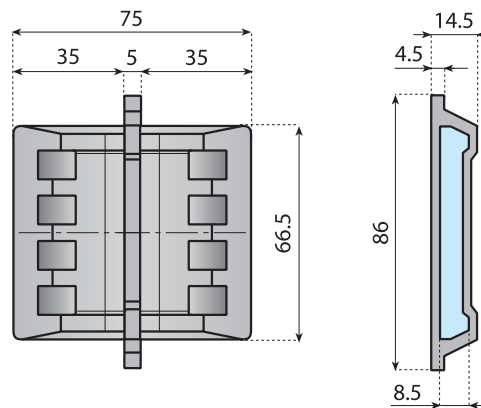
13786



n° 10



PA-FG



COMBINER-PLUG

Use: with extra side guide code 19050 - 19050L

Code

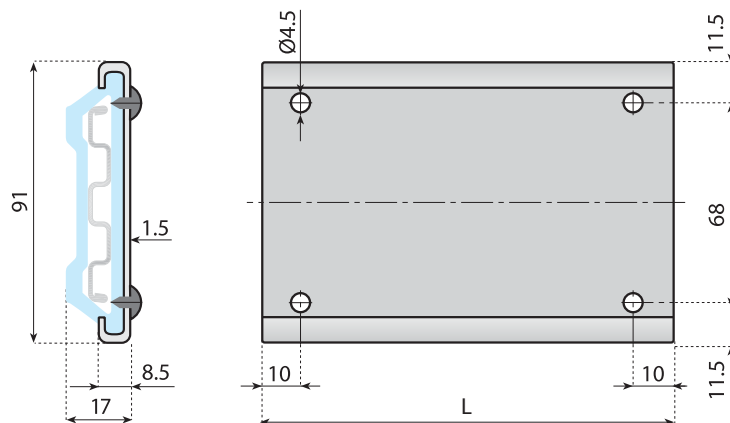
13787



n° 10



PA-FG



COMBINER-CLAMP

Material: clamp and screws in stainless steel AISI 304.

Thickness: S = 1.5 mm.

Surface: scotch brite finish.

Use: with extra side guide code 19050 - 19050L

***Packaging:** 10 pieces, complete with fixing screws.

Code

13837

18334

L

100

150



n° 10*



SS 304

Clamps for side guide (extra large type)

Preferred type, readily available (codes marked in red)



AISI 304
Stainless steel



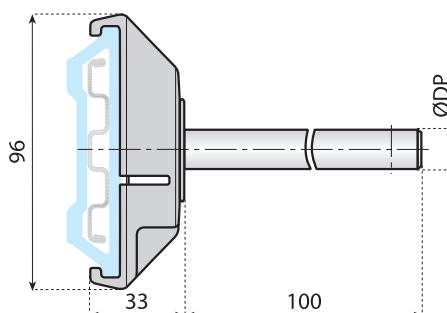
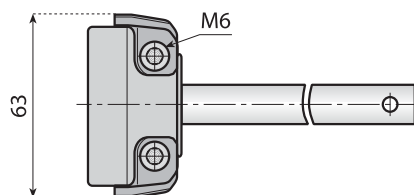
Reinforced
polyamide



[See page 118](#)



[Consult pages 156 → 160 for rod design](#)



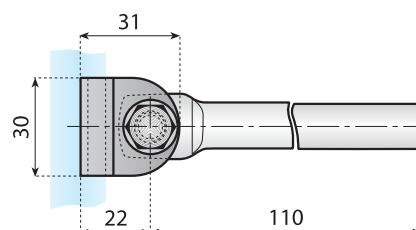
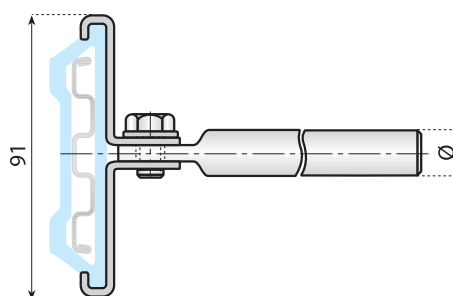
CLAMPS

Material: clamp in reinforced polyamide, bolt and rod in stainless steel.

Supply: unassembled.

Note: code 13718 is supplied without rod.

Code	Ø DP	
13718	-	
13715	12	n° 50
13716	14	
13717	16	



FIXING CLAMP

Thickness: S = 2 mm.

Surface: tumbling finish.

Use: with extra side guide code 19050 - 19050L.

Note: code 13835 is supplied without rod and bolt.

Supply: unassembled.

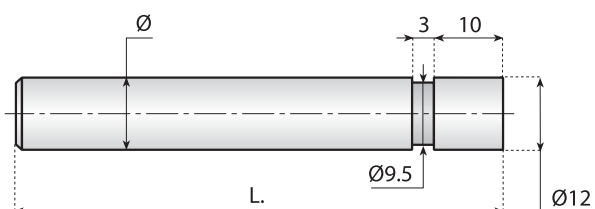
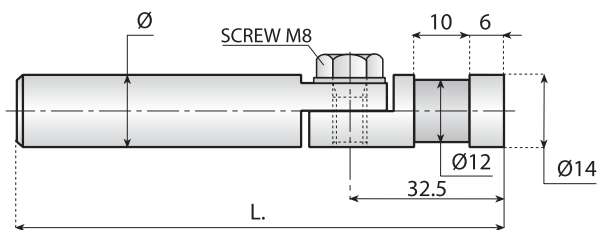
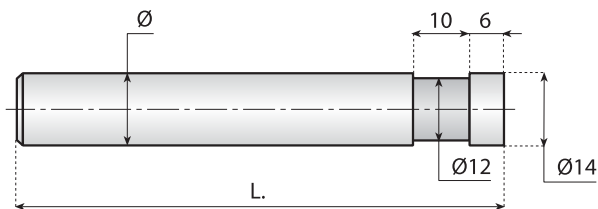
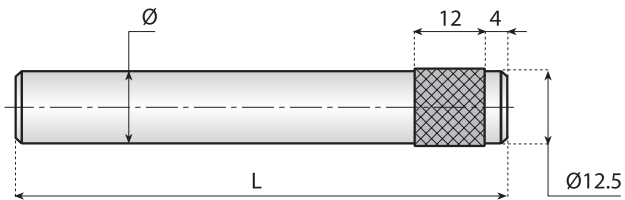
Code	For rod Ø (mm)		Material
13835	-		
13494	12	n° 50	SS 304
13495	14		
13496	16		

Adjusting rods

 Preferred type, readily available (codes marked in red)



AISI 303
Stainless steel



ADJUSTING RODS

Use: with code 13006 - 13745 - 13771

Code	For rod Ø (mm)	L		Material
13901	12	110	n° 50	SS 303
13902	12	160	n° 50	SS 303

ADJUSTING RODS

Use: with code 13006 - 13745 - 13771

Code	For rod Ø (mm)	L		Material
13903	14	110	n° 50	SS 303
13904	14	160	n° 50	SS 303
13905	16	110	n° 50	SS 303
13906	16	160	n° 50	SS 303

ADJUSTING RODS

Use: with code 13006 - 13745 - 13771

Code	For rod Ø (mm)	L		Material
13775	16	150	n° 50	SS 303
13776	16	250	n° 50	SS 303

ADJUSTING RODS

Use: with code 13788 - 13002 - 13721 - 13725

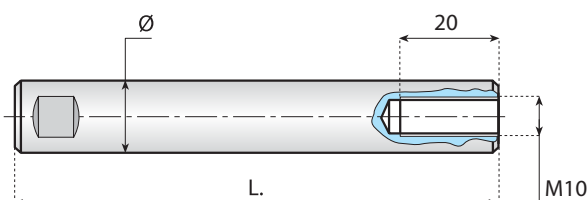
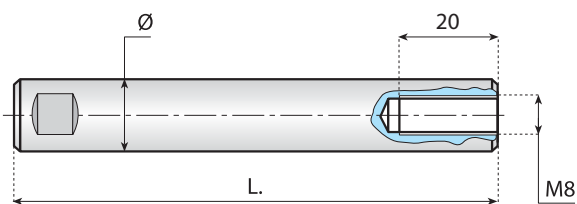
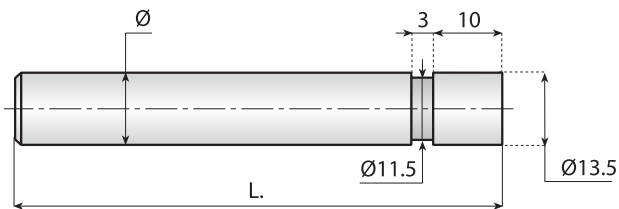
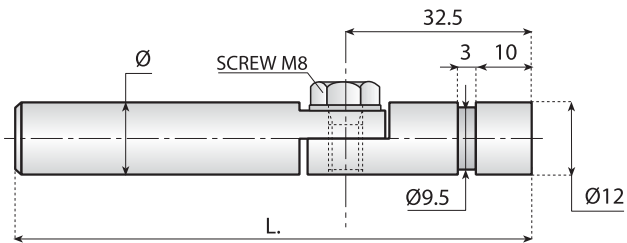
Code	For rod Ø (mm)	L		Material
131153		90		
13933	12	110	n° 50	SS 303
131154	12	140	n° 50	SS 303
13934		160		
131155		190		
13935	14	110	n° 50	SS 303
13936	14	160	n° 50	SS 303
13937	16	110	n° 50	SS 303
13938	16	160	n° 50	SS 303

Adjusting rods

Preferred type, readily available (codes marked in red)



AISI 303
Stainless steel



ADJUSTING RODS

Use: with code 13788 - 13001 - 13721 - 13725

Code	For rod Ø (mm)	L		Material
13939	16	150	n° 50	SS 303
13940	16	250	n° 50	SS 303

ADJUSTING RODS

Use: with code 13006NV

Code	For rod Ø (mm)	L		Material
13907	14	110	n° 50	SS 303
13908	14	160	n° 50	SS 303
13909	16	110	n° 50	SS 303
13910	16	160	n° 50	SS 303

ADJUSTING RODS

Use: with code 13012 - 13013 - 13014
13792 - 13184 - 13729 - 13733

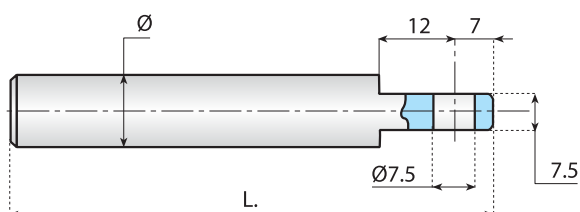
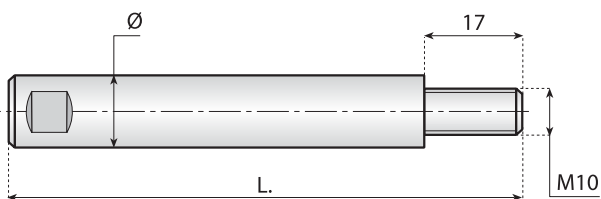
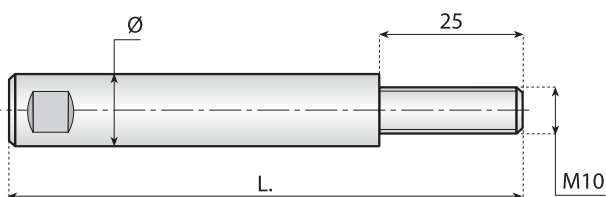
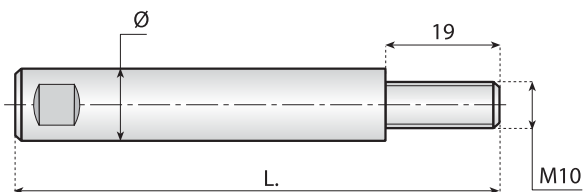
Code	For rod Ø (mm)	L		Material
13911		80		
13912	12	100	n° 50	SS 303
13913		150		
131137		200		
13914	14	100	n° 50	SS 303
13915	14	150	n° 50	SS 303
131138		200		
13916	16	100	n° 50	SS 303
13917	16	150	n° 50	SS 303
131139		200		

ADJUSTING RODS

Code	For rod Ø (mm)	L		Material
131140		100		
131141	12	125	n° 50	SS 303
131142		200		
131143		100		
131130		120		
131144	14	150	n° 50	SS 303
131131		170		
131145		200		
131146		250		
131134		95		
131132		120		
131147	16	150	n° 50	SS 303
131133		170		
131148		200		
131149		250		


Adjusting rods

 Preferred type, readily available (codes marked in red)




ADJUSTING RODS

Use: with code 13008NV - 13777 - 13761
13163 - 13754 - 13718 - 13761NV

Code	For rod Ø (mm)	L		Material
13918	12	120	n° 50	SS 303
13919		170		
13920	14	120	n° 50	SS 303
13921		170		
13922	16	120	n° 50	SS 303
13923		170		


ADJUSTING RODS

Use: with code 13525.

Code	For rod Ø (mm)	L		Material
13941	12	120	n° 50	SS 303
13942		170		
13943	14	120	n° 50	SS 303
13944		170		
13945	16	120	n° 50	SS 303
13946		170		


ADJUSTING RODS

Use: with code 13171.

Code	For rod Ø (mm)	L		Material
131150		90		
13947		120		
131151	12	140	n° 50	SS 303
13948		170		
131152		210		
13950	14	120	n° 50	SS 303
13951		170		
131135		104		
13952	16	120	n° 50	SS 303
13953		170		

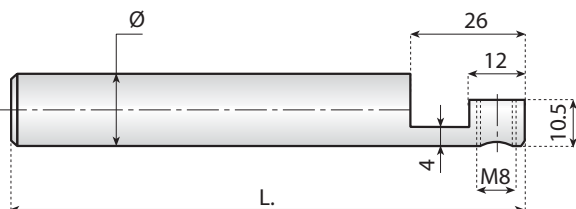
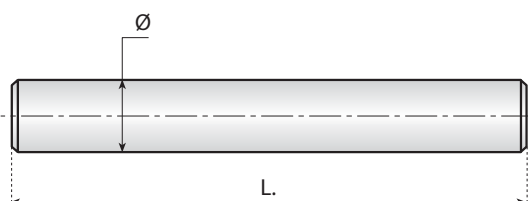
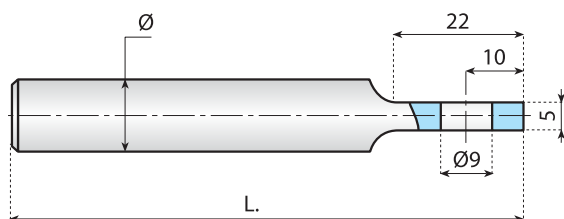
ADJUSTING RODS

Use: with code 13167.

Code	For rod Ø (mm)	L		Material
13924	12	120	n° 50	SS 303
13925		170		
13926	14	120	n° 50	SS 303
13927		170		
13928	16	120	n° 50	SS 303
13929		170		

Adjusting rods

Preferred type, readily available (codes marked in red)



ADJUSTING RODS

Use: with code 13829 - 13850 - 13800 - 13833.

Code	For rod Ø (mm)	L		Material
13954	12	120	n° 50	SS 303
13955	12	170		
13956	14	120	n° 50	SS 303
13957	14	170		
13958	16	120	n° 50	SS 303
13959	16	170		

ADJUSTING RODS

Code	For rod Ø (mm)	L		Material
131112	12	200		
131113	12	250	n° 50	SS 303
131114	12	300		
131115	14	200		
131116	14	250	n° 50	SS 303
131117	14	300		
131118	16	100		
131119	16	150	n° 50	SS 303
131120	16	250		
131121	16	300		
131122	20	250	n° 50	SS 303
131123	20	350		

ADJUSTING RODS

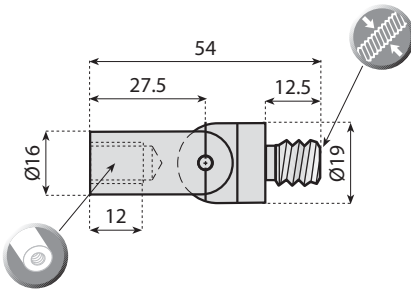
Use: with code 190265 - 190265F



Code	For rod Ø (mm)	L		Material
131124	14	200	n° 50	SS 303
131125	14	250		
131126	16	200	n° 50	SS 303
131127	16	250		

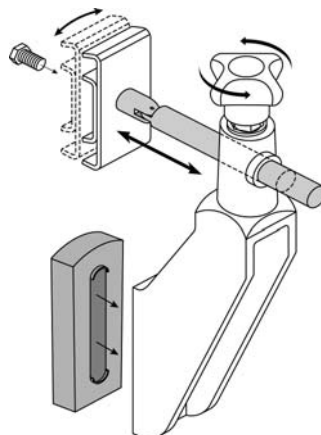
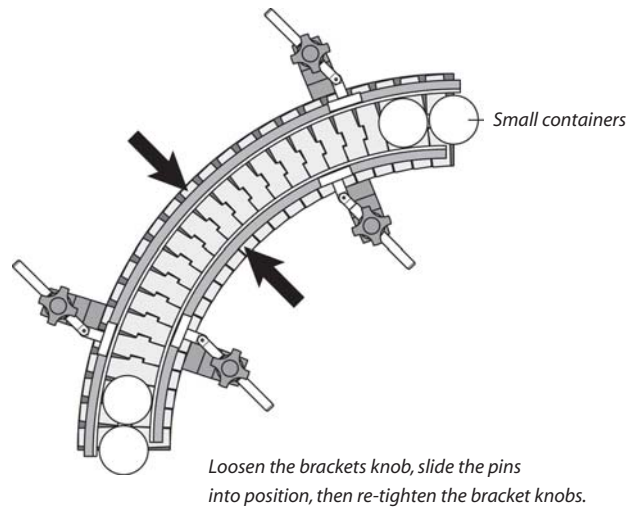
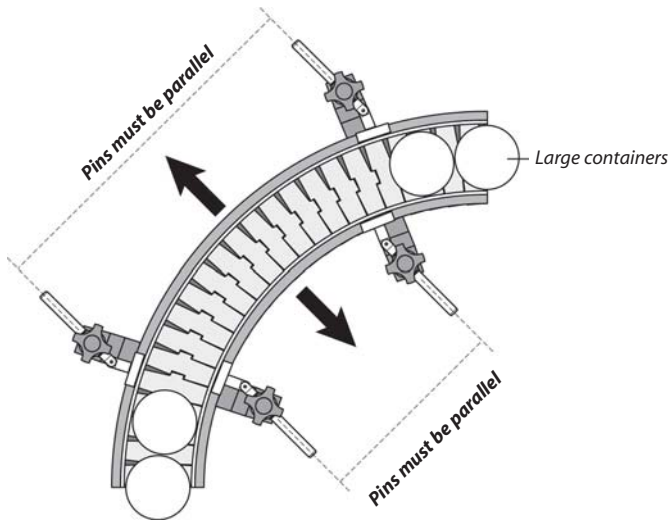
Joint rod adapter

 Preferred type, readily available (codes marked in red)

SS 304
AISI 304
Stainless steel



Code	Ref.				
13S00260	VG-222JQ-M8	M8	M8		
13S00259	VG-222JQ-M10	M10	M10	n°10	SS 304
13S00261	VG-222JQ-M8M-M10F	M8	M10		



BRACKET SPACERS FOR ROD USE

Spacers may be required for proper set back of the brackets to allow for the jointed adjusting rod clevis extension. For details on spacers to pages 264-266



Roller side guide

Intermediary roller guides



Accessories



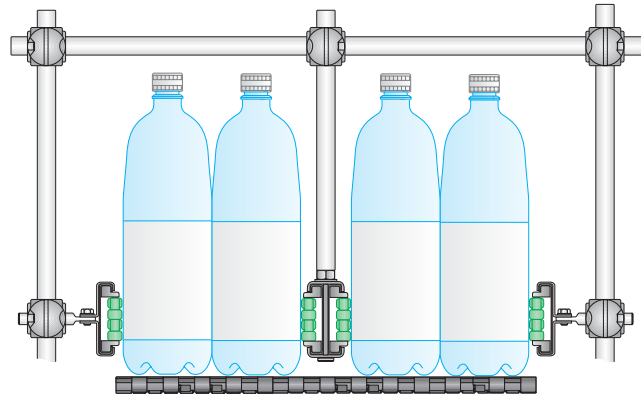
Acetal resin



Polyamide



AISI 304 stainless steel



INTERMEDIARY ROLLER GUIDE

Material: straps in reinforced polyamide, rollers in acetal resin, profile in stainless steel.

Pins: see table.

Standard packaging: 1 roller guide L = 3 m.




Note: 2 profiles are required to build 1 intermediary guide

Connecting material to be ordered separately.

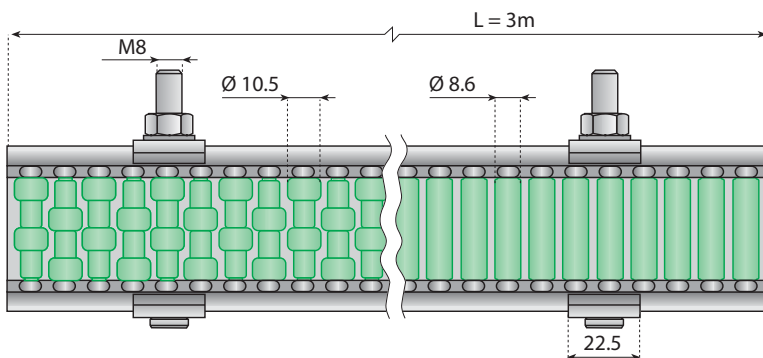
Applications: designed for rugged boxes and multi-packs.



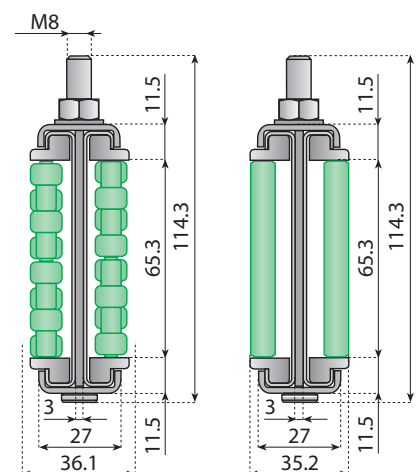
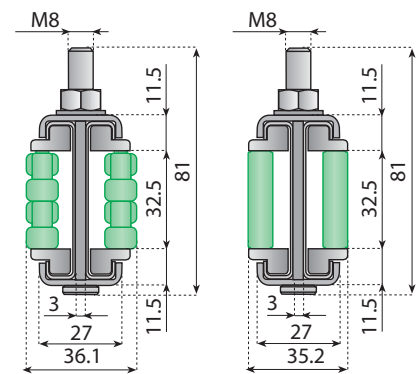
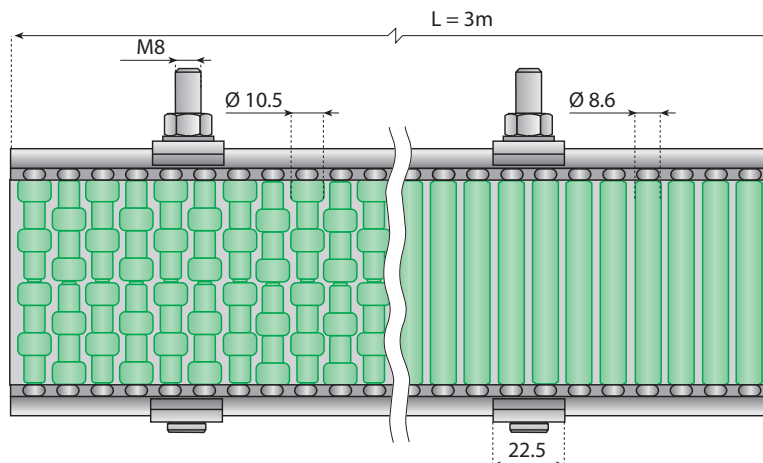
Bending radius: min 750 mm

Code	Code		 Kg/m	 Pins Material	 Roller
16921	16924				Orange
16921K	16924K	Type A	2.05	POM	White
16921V	16924V				Green
16921W	16924W				Water blue
16922	16925				Orange
16922K	16925K	Type A	2.63	SS 304	White
16922V	16925V				Green
16922W	16925W				Water blue
16923	16926				Orange
16923K	16926K	Type B	4.11	SS 304	White
16923V	16926V				Green
16923W	16926W				Water blue

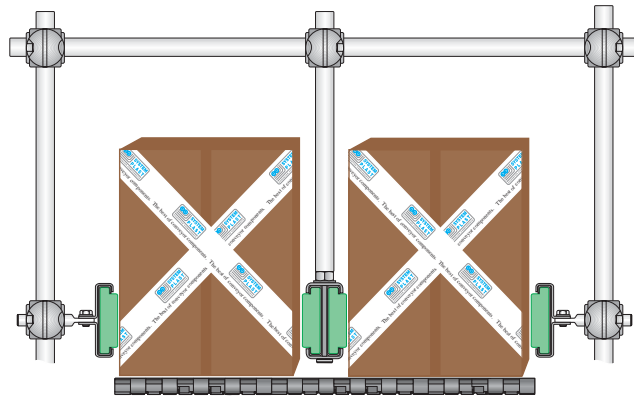
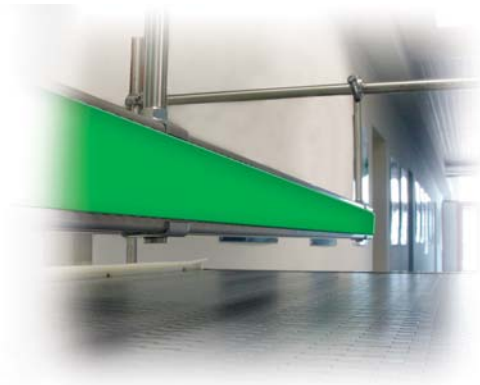
Type A - H 55.5



Type B - H 88.3



Intermediary flat guides



PE
Polyethylene

SS 303
AISI 304
stainless steel

165
Accessories

INTERMEDIARY GUIDE

Material: profile in stainless steel, bar in polyethylene.

Standard packaging: 1 guide L = 3 m.

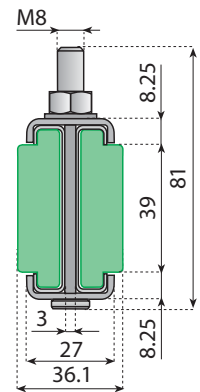
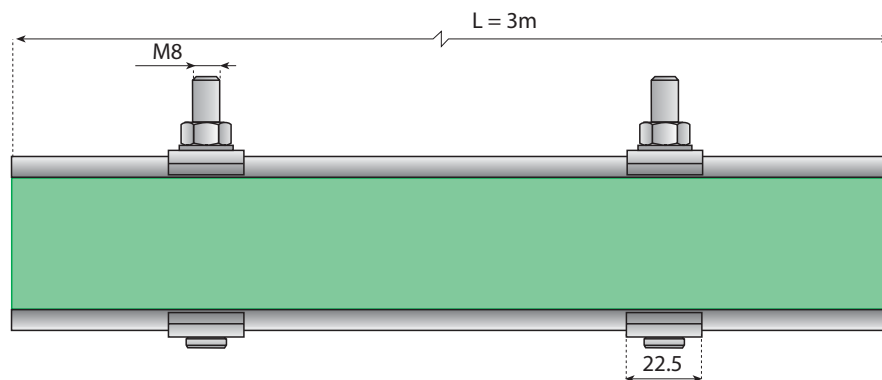
Note: 2 profiles are required to build 1 intermediary guide

Connecting material to be ordered separately

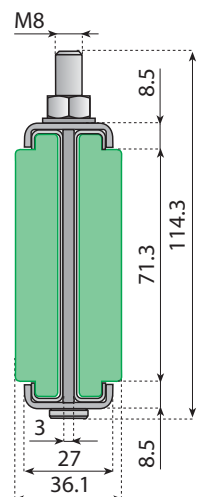
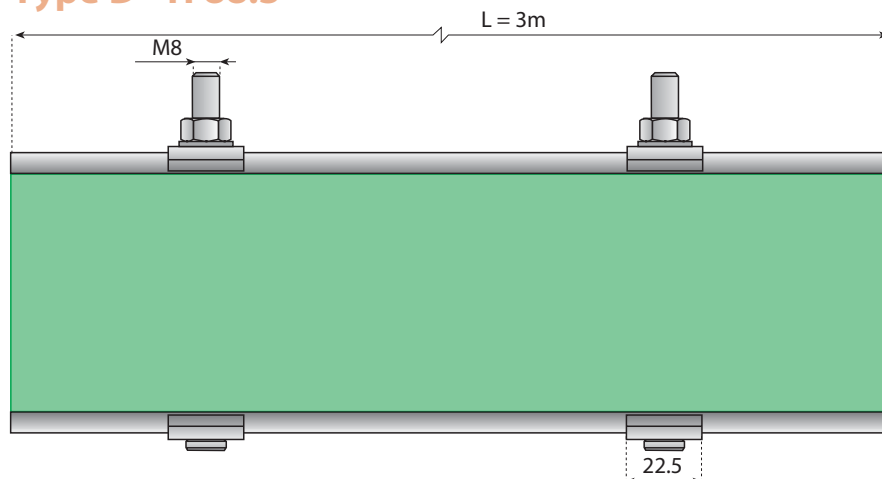
Applications: designed for rugged boxes and containers.

Code		Kg/m	Profile Material	
16927V	Type C	2.64	PE	Green
16928V	Type D	4.15	PE	Green

Type C - H 55.5



Type D - H 88.3



Side guides

SIDE GUIDE

Material: straps in reinforced polyamide, rollers in acetal resin, bar in polyethylene, profile in stainless steel.

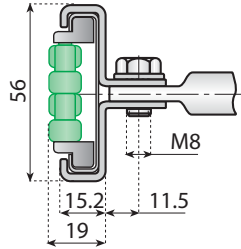
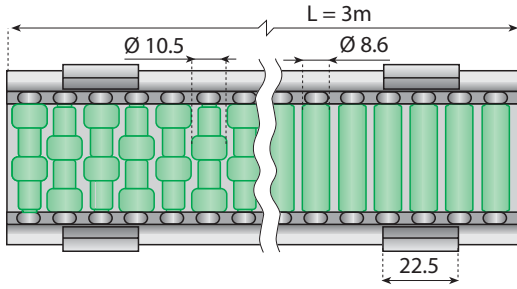
Pins: see table.

Standard packaging: 1 guide L = 3 m.

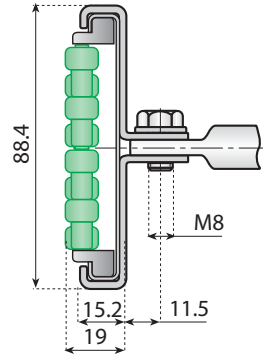
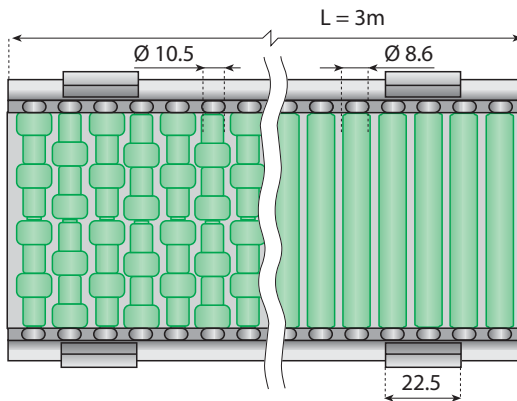
Connecting material to be ordered separately

Applications: designed for rugged boxes and containers.

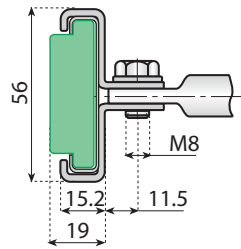
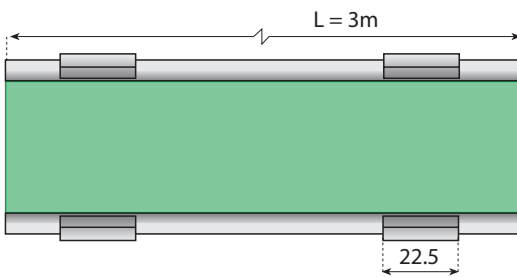
Type A - H 55.5



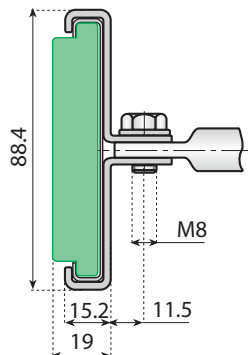
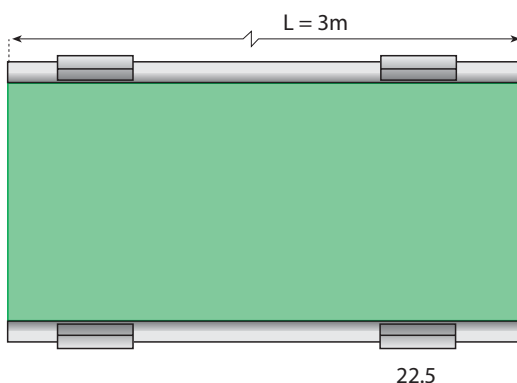
Type B - H 88.3



Type C - H 55.5



Type D - H 88.3



Code	Code				
16921	16924				Orange
16921K	16924K	Type A	1.03	POM	White
16921V	16924V				Green
16921W	16924W				Water blue
16922	16925				Orange
16922K	16925K	Type A	1.32	SS 304	White
16922V	16925V				Green
16922W	16925W				Water blue
16923	16926				Orange
16923K	16926K	Type B	2.06	SS 304	White
16923V	16926V				Green
16923W	16926W				Water blue



[Accessories](#)

Code				
16927V	Type C	1.32	PE	Green
16928V	Type D	2.08	PE	Green

Accessories

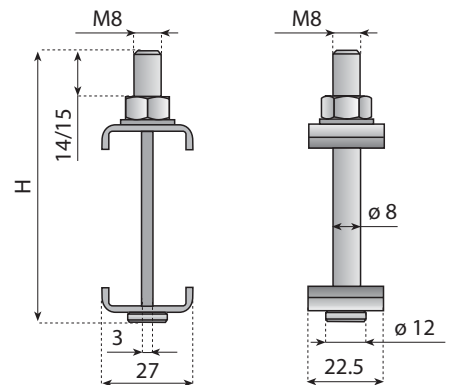
SS 304
AISI 304
Stainless steel



Code		H	Profile Material
131160	Type A (2 roller)	81	SS 304
131161	Type B (4 roller)	114.3	SS 304

FIXING CLAMP

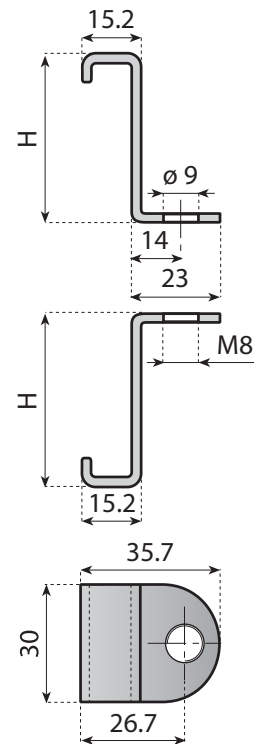
Surface: tumbling finish.
Supply: unassembled.



Code		H	Profile Material
131162	Type A (2 roller)	25.5	SS 304
131163	Type B (4 roller)	41.7	SS 304

FIXING CLAMP

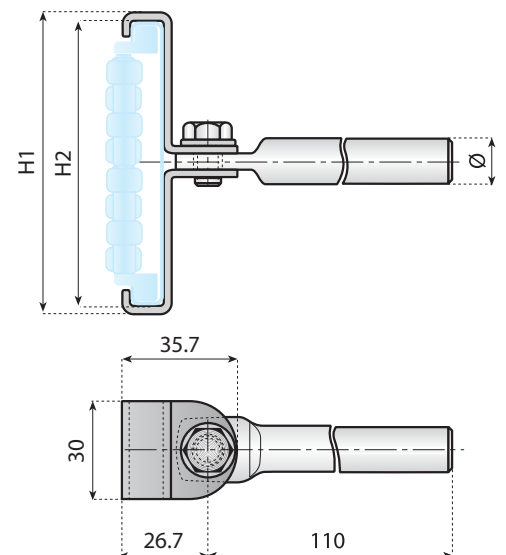
Thickness: S = 2.5 mm.
Surface: tumbling finish.
Note: the clamp is supplied without rod and bolt.
Supply: unassembled.



Code		Rod Ø	H1	H2	Profile Material
131164	Type A	12			SS 304
131165	Type A (2 roller)	14	56	51	SS 304
131166	Type A (4 roller)	16			SS 304
131167	Type A	12			SS 304
131168	Type A (4 roller)	14	88.4	83.4	SS 304
131169	Type A (4 roller)	16			SS 304

FIXING CLAMP WITH ROD

Material: clamp, rod, screw and washer in stainless steel.
Thickness: S = 2.5 mm.
Surface: tumbling finish.
Supply: unassembled.



Flexible roller modules for straight and curved sections



FLEXIBLE ROLLER MODULES - TWO ROLLERS -

Material: straps and spacer in reinforced polyamide, rollers and pins in acetal resin, screws in stainless steel.

Application: designed for boxes and containers (glass and plastic bottles, tin cans, strong aluminium cans).

Features:

- Improved design • Smaller rollers and pitch • Improved performance • Reduced dimensions • Low noise rollers
- Excellent for accumulation areas • Long life and smooth operation • Easy and quick installation.

Preferred type, readily available (codes marked in red)



Acetal resin



Polyamide



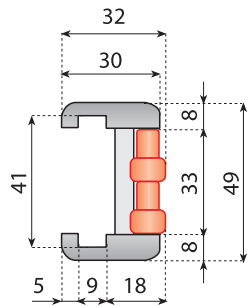
AISI 304
Stainless steel



Accessories



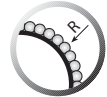
Anodized aluminium



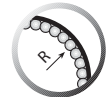
SINGLE MODULE



For flat bar 40x8



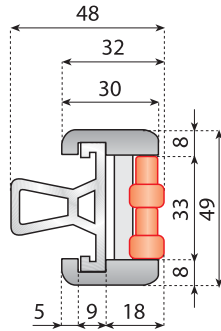
Internal curve
R min 250



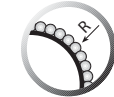
External curve
R min 300

Code	Roller
16600	Orange
16600K	White
16600V	Green
16600W	Water blue

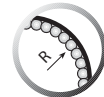
Supply:
single module L. 348 mm



WITH ALUMINIUM PROFILE



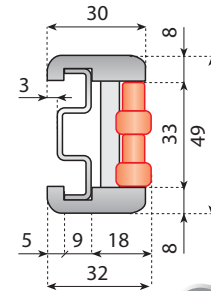
Internal curve
R min 500



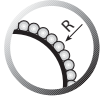
External curve
R min 500

Code	Roller
16650	Orange
16650K	White
16650V	Green
16650W	Water blue

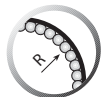
Supply:
3m aluminium profile, 9 roller modules



WITH STEEL PROFILE



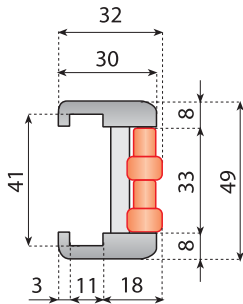
Internal curve
R min 400



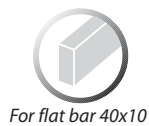
External curve
R min 450

Code	Roller
16655	Orange
16655K	White
16655V	Green
16655W	Water blue

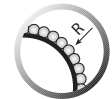
Supply:
3m stainless steel profile, 9 roller modules



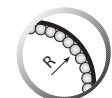
SINGLE MODULE



For flat bar 40x10



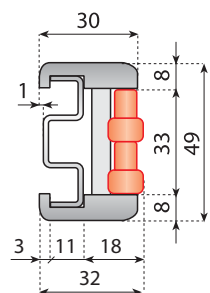
Internal curve
R min 250



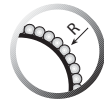
External curve
R min 300

Code	Roller
16610	Orange
16610K	White
16610V	Green
16610W	Water blue

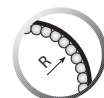
Supply:
single module L. 348 mm



WITH STEEL PROFILE



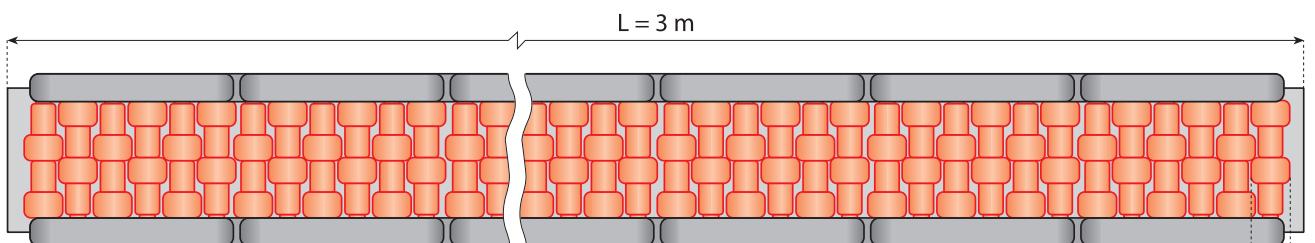
Internal curve
R min 400



External curve
R min 450

Code	Roller
16660	Orange
16660K	White
16660V	Green
16660W	Water blue

Supply:
3m steel profile, 9 roller modules



Single module 348.5 mm

Ø10.5

Flexible roller modules for straight and curved sections



FLEXIBLE ROLLER MODULES - SINGLE ROLLER -

Material: straps and spacer in reinforced polyamide, rollers and pins in acetal resin, screws in stainless steel, metal profile in anodized aluminium.

Application: designed for boxes and containers (glass and plastic bottles, tin cans, strong aluminium cans).

Features:

- Improved design • Smaller rollers and pitch • Improved performance • Reduced dimensions • Low noise rollers
- Excellent for accumulation areas • Long life and smooth operation • Easy and quick installation.

Preferred type, readily available (codes marked in red)



Acetal resin



Polyamide



AISI 304
Stainless steel



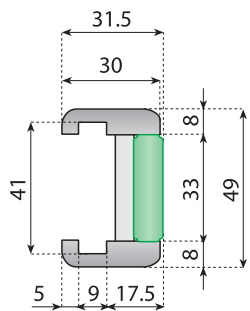
Accessories



PATENTED



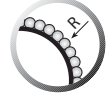
Anodized aluminium



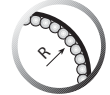
SINGLE MODULE



For flat bar 40x8



Internal curve
R min 250

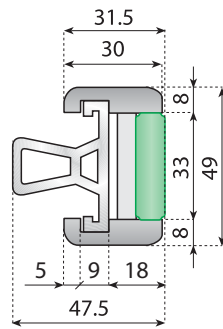


External curve
R min 300

Code	Roller
16605	Orange
16605K	White
16605V	Green
16605W	Water blue

Supply:

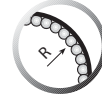
single module L. 348 mm



WITH ALUMINIUM PROFILE



Internal curve
R min 500

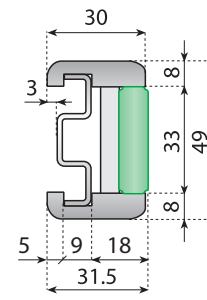


External curve
R min 500

Code	Roller
16651	Orange
16651K	White
16651V	Green
16651W	Water blue

Supply:

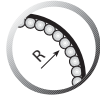
3m aluminium profile, 9 roller modules



WITH STEEL PROFILE



Internal curve
R min 400

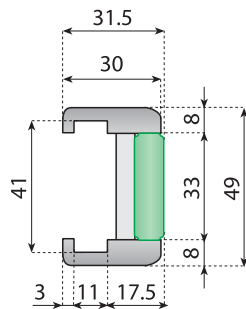


External curve
R min 450

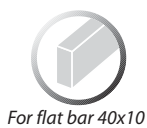
Code	Roller
16656	Orange
16656K	White
16656V	Green
16656W	Water blue

Supply:

3m stainless steel profile, 9 roller modules



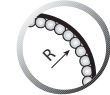
SINGLE MODULE



For flat bar 40x10



Internal curve
R min 250

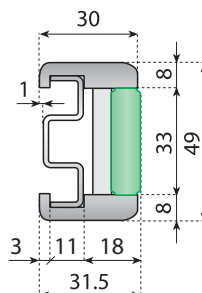


External curve
R min 300

Code	Roller
16615	Orange
16615K	White
16615V	Green
16615W	Water blue

Supply:

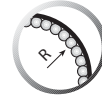
single module L. 348 mm



WITH STEEL PROFILE



Internal curve
R min 400



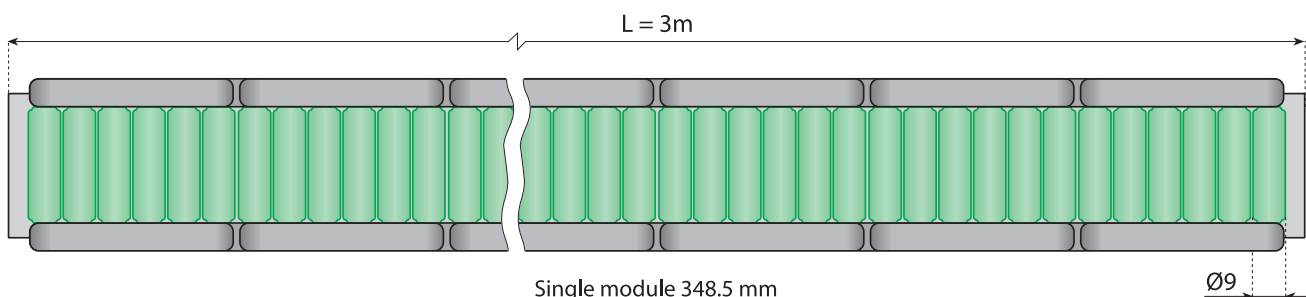
External curve
R min 450

Code	Roller
16665	Orange
16665K	White
16665V	Green
16665W	Water blue

Supply:

3m steel profile, 9 roller modules

Mini Gap



Flexible roller modules for straight and curved sections



FLEXIBLE ROLLER MODULES - FOUR ROLLERS -

Material: straps and spacers in reinforced polyamide, rollers in acetal resin, screws in stainless steel.

Application: designed for boxes and containers (glass and plastic bottles, tin cans, strong aluminium cans).



Acetal resin



Polyamide



AISI 304
Stainless steel



Accessories



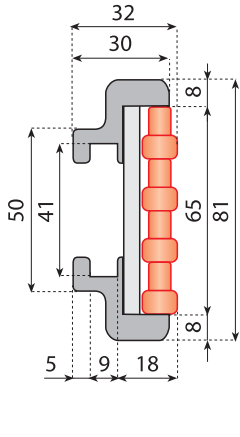
Anodized aluminium

Features:

- Improved design • Smaller rollers and pitch • Improved performance • Reduced dimensions
- Low noise rollers • Excellent for accumulation areas • Long life and smooth operation • Easy and quick installation.

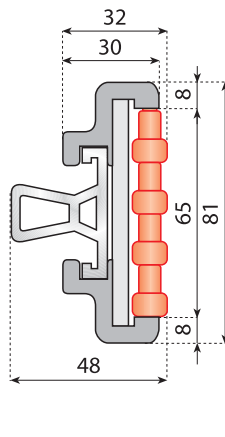
Preferred type, readily available (codes marked in red)

SINGLE MODULE



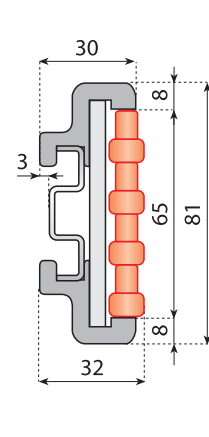
- For flat bar 40x8
- Internal curve R min 250
- External curve R min 300

WITH ALUMINIUM PROFILE



-
- Internal curve R min 500
- External curve R min 500

WITH STEEL PROFILE



-
- Internal curve R min 400
- External curve R min 450

Code	Pins Material	Roller
16800	POM	Orange
16800K		White
16800V		Green
16800W		Water blue
16801	S/S AISI 430	Orange
16801K		White
16801V		Green
16801W		Water blue

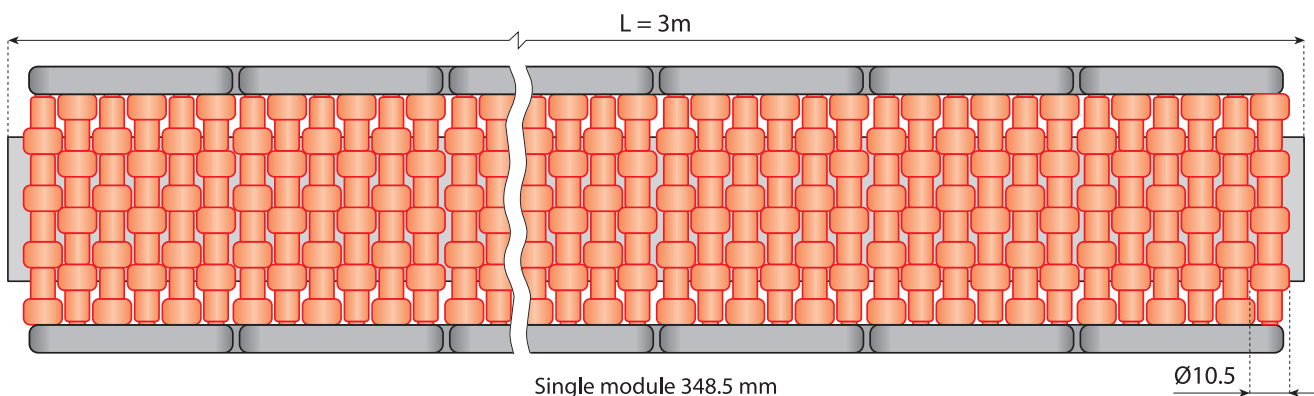
Supply:
single module L. 348 mm

Code	Pins Material	Roller
16820	POM	Orange
16820K		White
16820V		Green
16820W		Water blue
16822	S/S AISI 430	Orange
16822K		White
16822V		Green
16822W		Water blue

Supply:
3m aluminium profile, 9 roller modules

Code	Pins Material	Roller
16825	POM	Orange
16825K		White
16825V		Green
16825W		Water blue
16827	S/S AISI 430	Orange
16827K		White
16827V		Green
16827W		Water blue

Supply:
3m stainless steel profile, 9 roller modules



Flexible roller modules for straight and curved sections



FLEXIBLE ROLLER MODULES - SINGLE ROLLER -

Material: straps and spacers in reinforced polyamide, rollers in acetal resin, screws in stainless steel.

Application: designed for boxes and containers (glass and plastic bottles, tin cans, strong aluminium cans).



Acetal resin



Polyamide



AISI 304
Stainless steel



Accessories



PATENTED



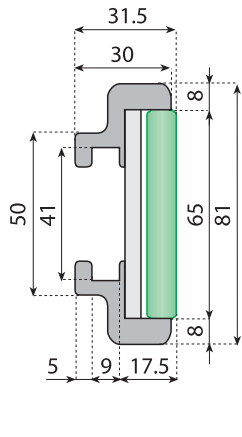
Anodized aluminium

Features:

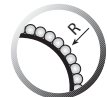
- Improved design • Smaller rollers and pitch • Improved performance • Reduced dimensions
- Low noise rollers • Excellent for accumulation areas • Long life and smooth operation • Easy and quick installation.

Preferred type, readily available (codes marked in red)

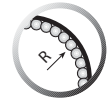
SINGLE MODULE



For flat bar 40x8

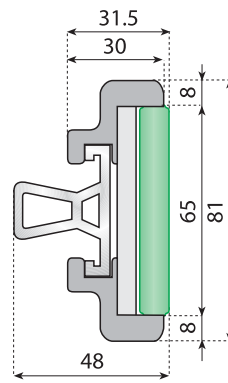


Internal curve
R min 250

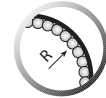


External curve
R min 300

WITH ALUMINIUM PROFILE

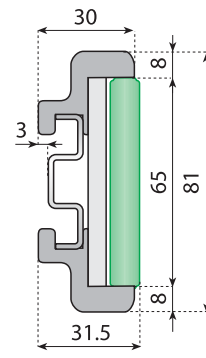


Internal curve
R min 500

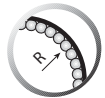


External curve
R min 500

WITH STEEL PROFILE



Internal curve
R min 400



External curve
R min 450

Code	Pins Material	Roller
16805	POM	Orange
16805K		White
16805V		Green
16805W		Water blue
16806	S/S AISI 430	Orange
16806K		White
16806V		Green
16806W		Water blue

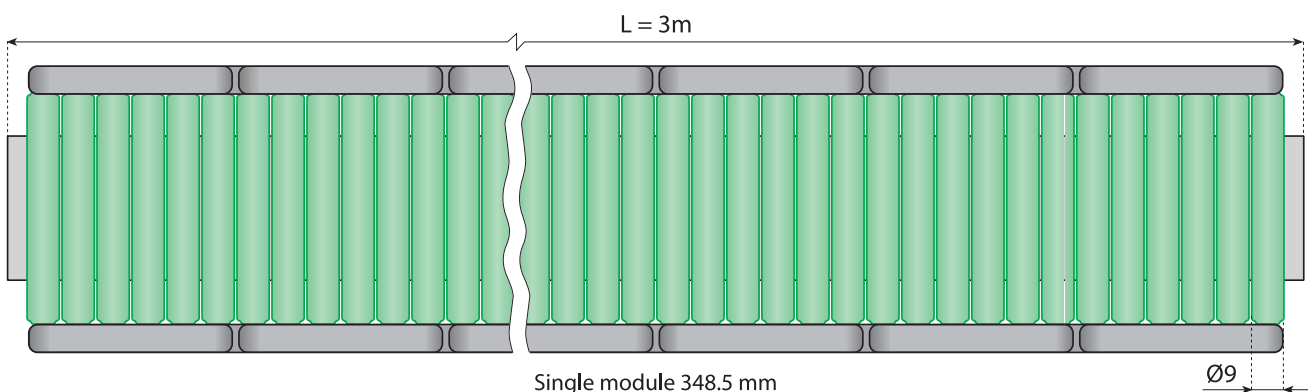
Supply:
single module L. 348 mm

Code	Pins Material	Roller
16821	POM	Orange
16821K		White
16821V		Green
16821W		Water blue
16823	S/S AISI 430	Orange
16823K		White
16823V		Green
16823W		Water blue

Supply:
3m aluminium profile, 9 roller modules

Code	Pins Material	Roller
16826	POM	Orange
16826K		White
16826V		Green
16826W		Water blue
16828	S/S AISI 430	Orange
16828K		White
16828V		Green
16828W		Water blue

Supply:
3m stainless steel profile, 9 roller modules



Flexible roller modules for straight and curved sections



FLEXIBLE ROLLER MODULES - ONE ROLLER -

Material: straps in reinforced polyamide, rollers and pins in acetal resin, spacers in nickel plated brass, screws stainless steel.

Application: designed for rugged boxes and containers.

Features:

- Improved design • Smaller rollers and pitch • Improved performance • Reduced dimensions • Low noise rollers
- Excellent for accumulation areas • Long life and smooth operation. • Easy and quick installation.

Preferred type, readily available (codes marked in red)



Acetal resin



Polyamide



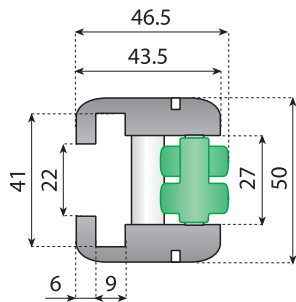
304 Stainless steel



[Accessories](#)



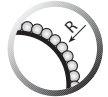
Anodized aluminium



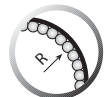
SINGLE MODULE



For flat bar 40x8



Internal curve
R min 250



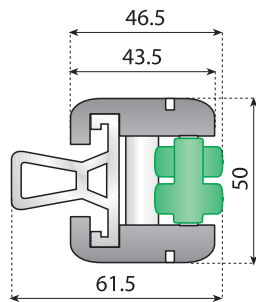
External curve
R min 300

Code

16500 Green
16500K White

Supply:

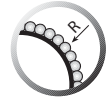
single module L. 338 mm



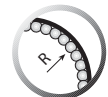
WITH ALUMINIUM PROFILE



Internal curve
R min 500



Internal curve
R min 500



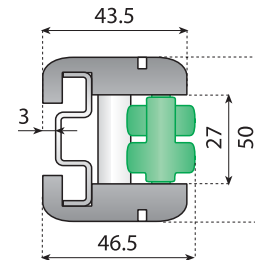
External curve
R min 500

Code

16551 Green
16551K White

Supply:

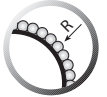
3m aluminium profile, 9 roller modules



WITH STEEL PROFILE



Internal curve
R min 400



Internal curve
R min 400



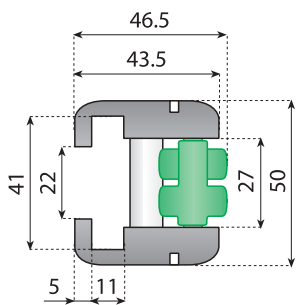
External curve
R min 400

Code

16550 Green
16550K White

Supply:

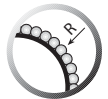
3m stainless steel profile, 9 roller modules



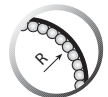
SINGLE MODULE



For flat bar 40x10



Internal curve
R min 250



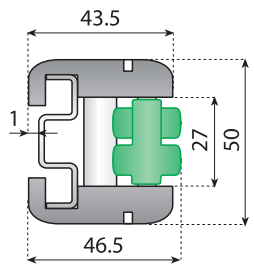
External curve
R min 300

Code

16505 Green
16505K White

Supply:

single module L. 338 mm



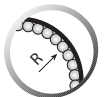
WITH STEEL PROFILE



Internal curve
R min 400



Internal curve
R min 400



External curve
R min 400

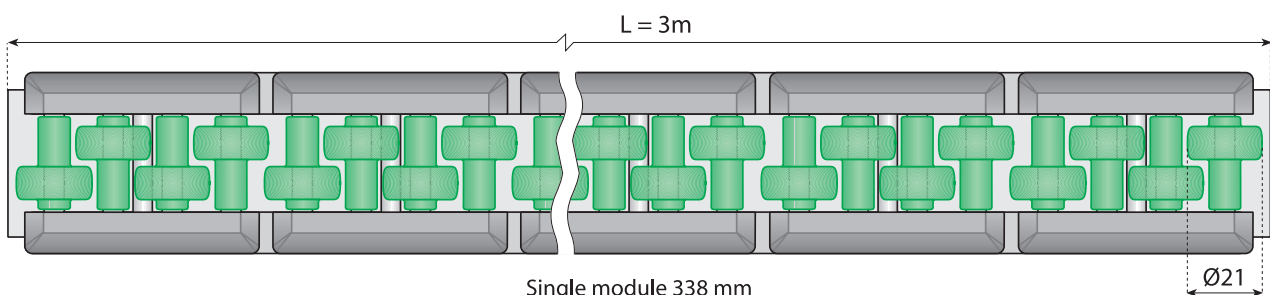
Code

16555 Green
16555K White

Supply:

3m steel profile, 9 roller modules

Heavy duty version



Accumulation roller modules for curved sections



ACCUMULATION ROLLER MODULES FOR CURVED SECTIONS - ONE ROLLER -

Material: straps in reinforced polyamide, rollers in acetal resin. Pins and metal profile see the table.

Antistatic version: straps in reinforced polyamide conductive, rollers and pins in acetal resin conductive.

Supply: single module L. 76 mm.

Standard packaging: 50 modules.

Applications: designed for rugged boxes and containers.

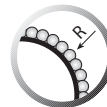
Preferred type, readily available (codes marked in red)



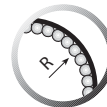
Acetal resin



Polyamide



Internal curve
R min 460



External curve
R min 600



Accessories



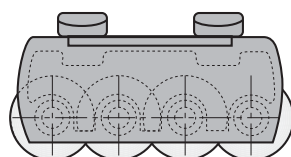
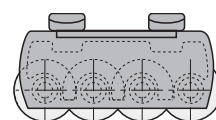
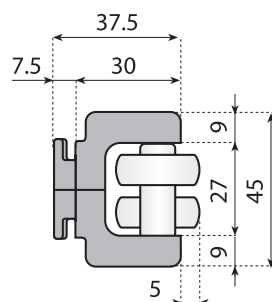
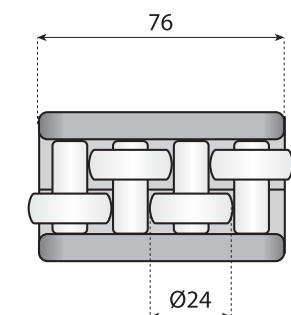
430 Stainless steel



Features:

- Excellent for accumulation areas.
- Easy and quick installation.
- Low noise rollers.
- Long life and smooth operation.

Code	Kg/m	Pins Material	Roller
16305	0.15	POM	White
16305V			Green
16305AS			Black Antistatic
16305SS	0.20	S/S AISI 430F	White
16305SSV			Green
16305ASS			Black Antistatic



Cavity between the rail and the roller block provides a position for the rail clamp and this design feature also prevents the lateral movement of the roller blocks without the need for screws or other fixing methods.

Accumulation roller side guides for curved sections

ACCUMULATION ROLLER SIDE GUIDES FOR CURVED SECTIONS - ONE ROLLER -

Material: straps in reinforced polyamide, rollers in acetal resin.
Pins and metal profile see the table.

Supply: 3m steel profile with 39 roller blocks.

Standard packaging: 2 guides completely assembled.

Application: designed for rugged boxes and containers.

Note: roll sections can be quickly assembled by simply sliding into the rail. Once assembled and the rail is located using clamps the sections can not move laterally.





The clamp is designed to fit into the slot in the back of a section as indicated in the sketch below.

 Preferred type, readily available (codes marked in red)



Features:

- Excellent for accumulation areas.
- Easy and quick installation.
- Low noise rollers.
- Long life and smooth operation.

Code	 Kg/m	 Pins Material	 Profile Material	 Roller
16300	2.75	POM	S/S	White
16300V			AISI 304	Green
16301	2.75	POM	Zinc plated steel	White
16301V				Green
16302	3.40	S/S	S/S	White
16302V		AISI 430F	AISI 304	Green
16303	3.40	S/S	Zinc plated steel	White
16303V		AISI 430F		Green
16300AS	2.75	POM	S/S	Black/Antistatic
16301AS		Antistatic	AISI 304	Black/Antistatic
16302AS	3.40	S/S	Zinc plated steel	Black/Antistatic
16303AS		AISI 430F		Black/Antistatic



Acetal resin
conductive



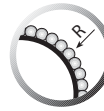
Polyamide
conductive



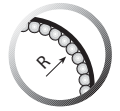
Acetal resin



Polyamide



Internal curve
R min 460



External curve
R min 600



Accessories



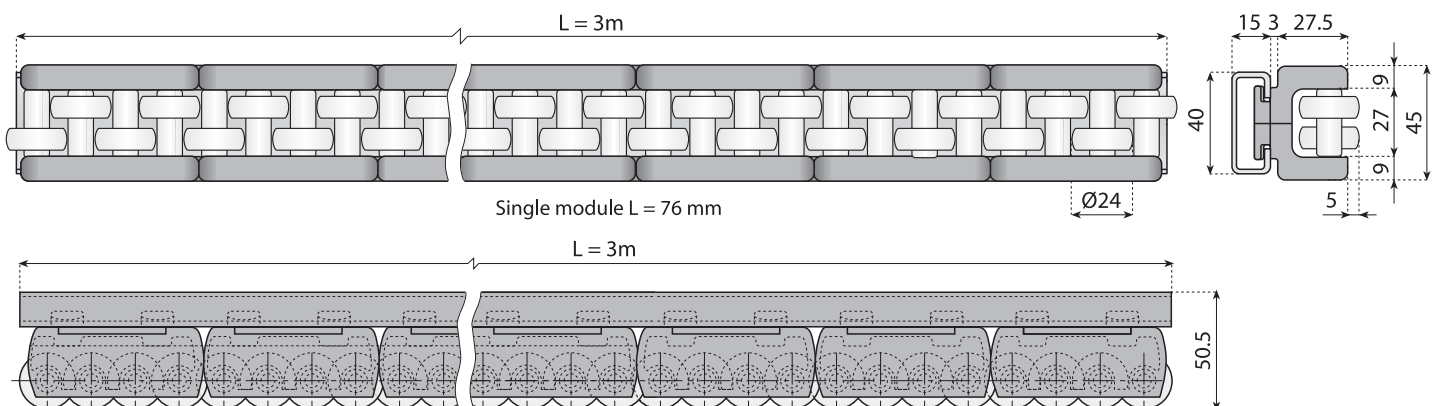
Zinc plated steel



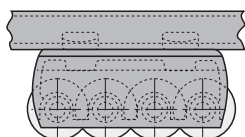
AISI 304
Stainless steel



AISI 430
Stainless steel

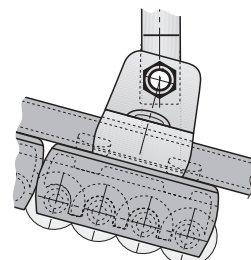


Cavity between the rail and the roller block provides a position for the rail clamp and this design feature also prevents the lateral movement of the roller blocks without the need for screws or other fixing methods.

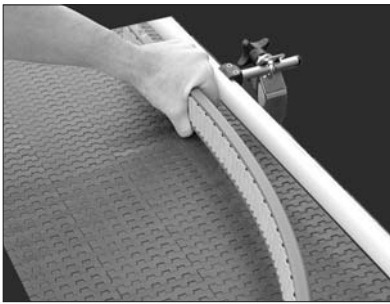


Blocking:

Clamps fix metal profile and lateral straps, thus avoiding accidental sliding.



Flexible Light Duty SpeedRail™ & SpeedRoll™



FLEXIBLE LIGHT DUTY SPEEDRAIL™ & SPEEDROLL™

Material: straps in PVC, rollers in acetal resin.
Screws in stainless steel.

Operating temperature range: -10°F to + 180°F

Features:

- Bend by hand to create corners or S-curves easily.
- Can be twisted to help invert containers.
- Saves time and labor associated with machine bending.
- Compatible with other Valu Guide components.
- Available with beads or roller.

Preferred type, readily available (codes marked in red)



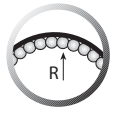
Acetal resin



PVC



Stainless steel



Min. bending Radius 450

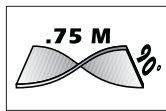


PATENTED



PATENT FEATURE

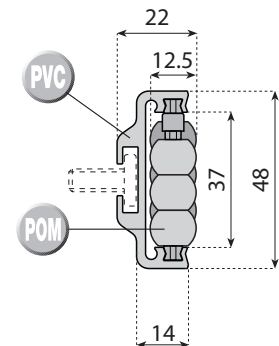
Par. # 6,516,933 (USA)



687 FLEX - FLEXIBLE SPEEDRAIL SB™

Code	Ref.			
16S00300	VG-687FLEX-37-3M	n°6*	3 m	n°2

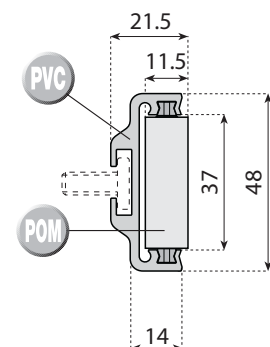
* Number of **13S00256** bolts included.



688 FLEX - FLEXIBLE SPEEDROLL SB™

Code	Ref.			
16S00301	VG-688FLEX-37-3M	n°6*	3 m	n°2

* Number of **13S00256** bolts included.



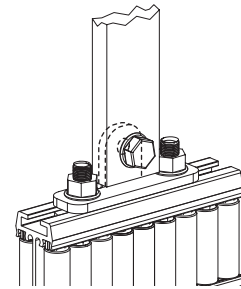
Valu Guide Combiners - Accessories

687 BSC - BACK SLOT CLOSING PROFILE

Code	Ref.	L	Material
16S00302-25	VG-687BSC-25	7.63 m	
16S00302-50	VG-687BSC-50	15.24 m	PVC
16S00302-15	VG-687BSC-15	4.52 m	



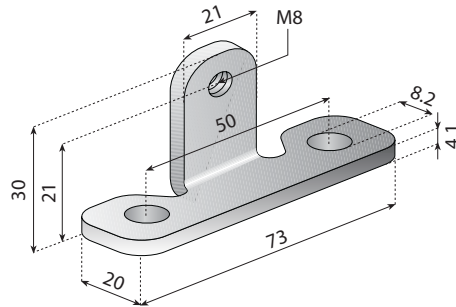
Consult pages
182 → 186



687 LAB - LANE DIVIDER BRACKET

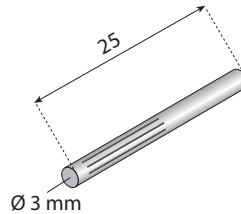
Code	Ref.	Material
16S00150	VG-687LDB-M8	SS

* Number of **13S00256** bolts included.



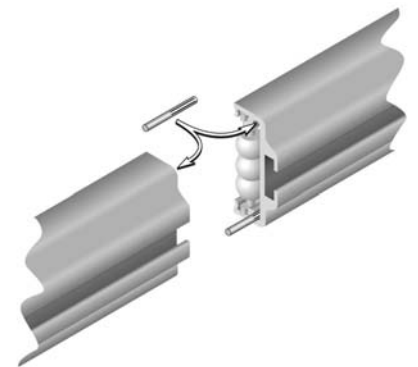
687 SP - SPLICING PINS

Code	Ref.	Material
16S00155	VG-687SP	SS



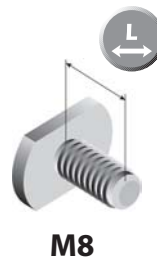
For use with:

VG-687-37
VG-687H-37
VG-687-83
VG-687H-83

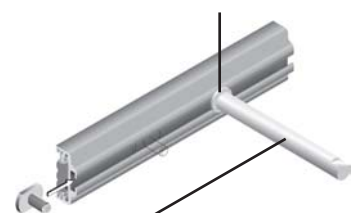


1568M - T-HEAD SCREWS M8

Code	Ref.	Thread	Material
13S00255	VG-1568M-01	16 mm	
13S00256	VG-1568M-02	19 mm	n°10
13S00258	VG-1568M-04	32 mm	SS



Flat washer recommended

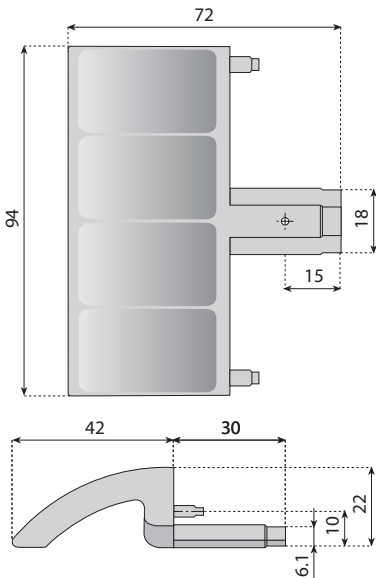


13912 or 13914

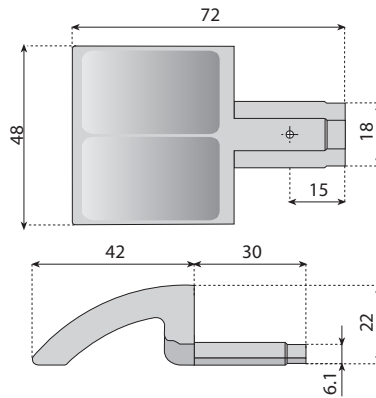
Side plow for valu guide combiners



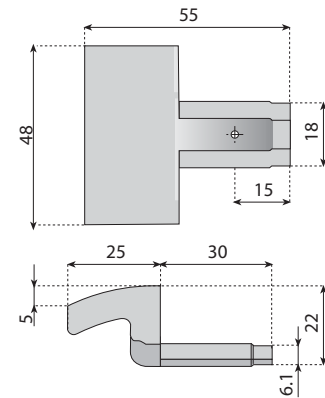
16713



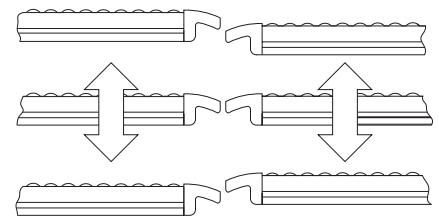
16712



16714



MOLDED VERSION

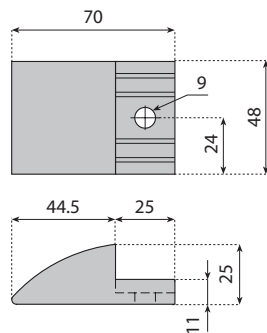


Material: side plow in POM acetal, screw in stainless steel.

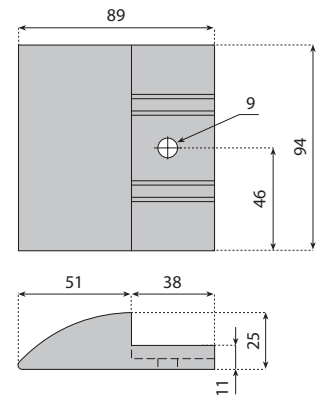
Features:

- Optimum guiding of packs
- Easy assembly

Code	For Guide Ref.	Material	Color
16712	VG-687H-37 / VG-688H-37		
16713	VG-687H-83 / VG-688H-83	n° 20 POM	Light Grey
16714	VG-687H-37 / VG-688H-37		



MACHINED VERSION



MSP 37 - SIDE PLOW

MSP 83 - SIDE PLOW

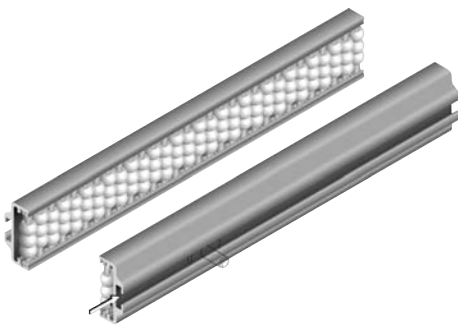
Code	For Guide Ref.	Material	Color
16S00153	VG-687H-37 / VG-688H-37	n°4 Nolu-S	Light Grey

Stainless steel fastener included.

Code	For Guide Ref.	Material	Color
16S00154	VG-687H-83 / VG-688H-83	n°4 Nolu-S	Light Grey

Stainless steel fastener included.

Valu Guide Combiners



ALUMINUM SPEEDRAIL SB

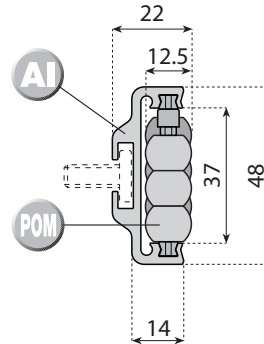
Material: straps in aluminum, rollers in acetal resin.
Screws in stainless steel.

Features:

- Easy mounting
- Great for polywrapped containers or PET
- On site bendable
- Cut to desired length
- FDA approved engineered polymer

 Preferred type, readily available (codes marked in red)

687H 37 - ALUMINUM SPEEDRAIL SB™ 48mm



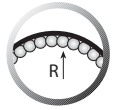
Acetal resin



Aluminum



[T-head screw M8 Splicing Pins](#)






Min. bending Radius 304mm



Par. # 6,516,933 (USA)

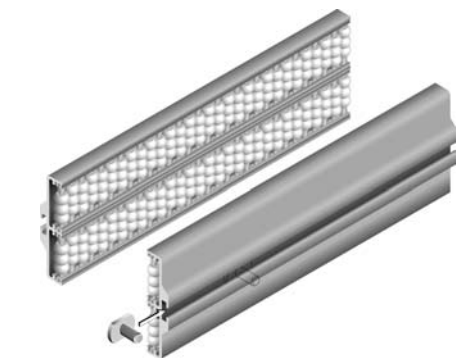


Consult pages 123 → 127 for bending machines

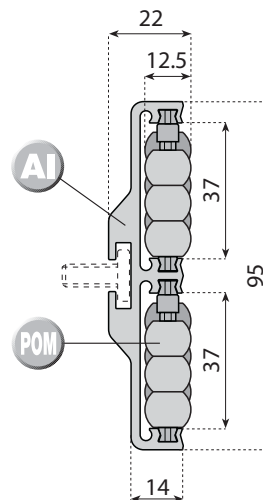
Code	Ref.			
16S00100	VG-687H-37-2M	n°5*	2 m	n°2
16S00101	VG-687H-37-3M	n°6*	3 m	n°2

* Number of **13S00256** bolts included.

SIDE PLOW (page 175)



687H 83 - ALUMINUM SPEEDRAIL SB™ 95mm



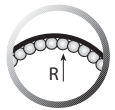
Acetal resin



Aluminum






[T-head screw M8 Splicing Pins](#)



Min. bending Radius 508mm



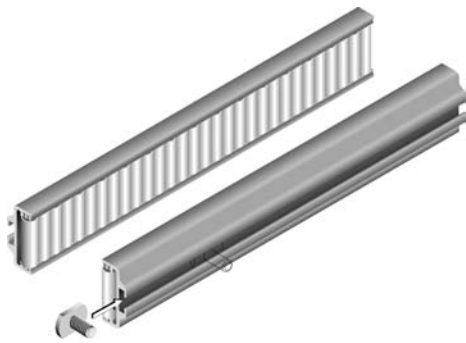
Par. # 6,516,933 (USA)

Code	Ref.			
16S00102	VG-687H-83-2M	n°5*	2 m	n°2
16S00103	VG-687H-83-3M	n°6*	3 m	n°2

SIDE PLOW (page 175)



Valu Guide Combiners



688H 37 - ALUMINUM SPEEDROLL™ 48mm

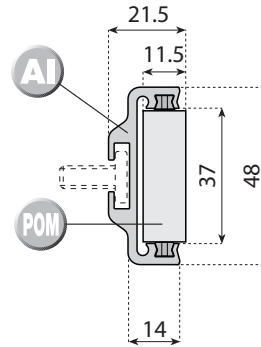
ALUMINUM SPEEDROLL SB

Material: straps in aluminum, rollers in acetal resin. Screws in stainless steel.

Features:

- Easy mounting
- Great for polywrapped containers or PET
- On site bendable
- Cut to desired length
- FDA approved engineered polymer

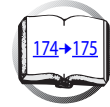
Preferred type, readily available (codes marked in red)



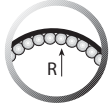
Acetal resin



Aluminum



[T-head screw M8 Splicing Pins](#)



Min. bending Radius 304mm



Par. # 6,516,933 (USA)

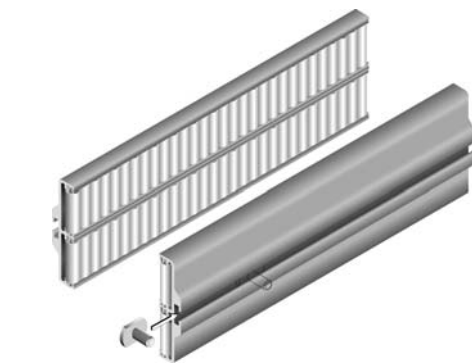


[Consult pages 123 → 127 for bending machines](#)

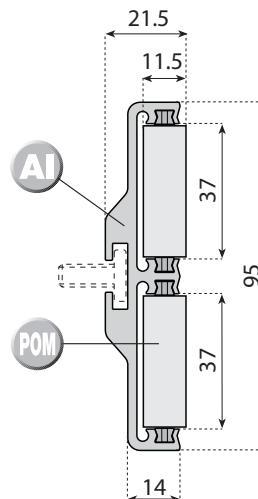
Code	Ref.			
16S00250	VG-688H-37-2M	n°5*	2 m	n°2
16S00251	VG-688H-37-3M	n°6*	3 m	n°2

* Number of 13S00256 bolts included.

SIDE PLOW (page 175)



688H 83 - ALUMINUM SPEEDROLL™ 95mm



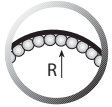
Acetal resin



Aluminum



[T-head screw M8 Splicing Pins](#)



Min. bending Radius 508mm

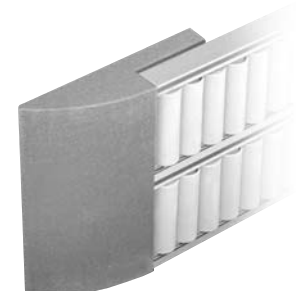


Par. # 6,516,933 (USA)

Code	Ref.			
16S00252	VG-688H-83-2M	n°5*	2 m	n°2
16S00253	VG-688H-83-3M	n°6*	3 m	n°2

* Number of 13S00256 bolts included.

SIDE PLOW (page 175)



Valu Guide Combiners



Consult pages
123 & 127 for
bending machines



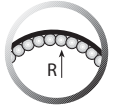
Acetal resin



Aluminum



T-head screw M8
Splicing Pins



Min. bending
Radius 508mm



PATENTED



PATENT
FEATURE

Par. # 6,516,933
(USA)



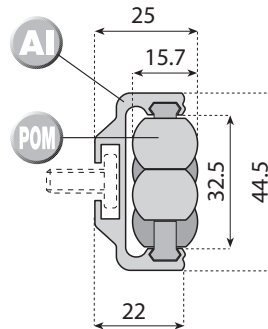
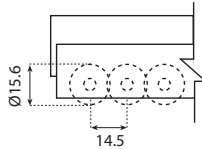
ALUMINUM SPEEDRAIL™

Material: straps in aluminum, rollers in acetal resin. Screws in stainless steel.

Features:

- Easy to bend (inner and outer curves)
- Can be cut to any length between beads
- FDA approved engineered polymer

Preferred type, readily available (codes marked in red)



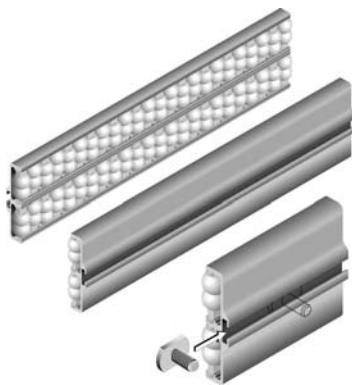
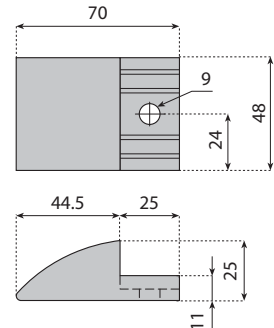
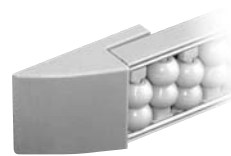
686A 30 - ALUMINUM SPEEDRAIL™ 42mm

Code	Ref.			
16S00001	VG-686A-30-2M	n°5*	2 m	n°2
16S00002	VG-686A-30-3M	n°6*	3 m	

* Number of **13S00256** bolts included.

MSP 30 - SIDE PLOW

Code	Ref.		Material	
16S00006	VG-686MSP-30	n°4	Nolu-S	Light Grey

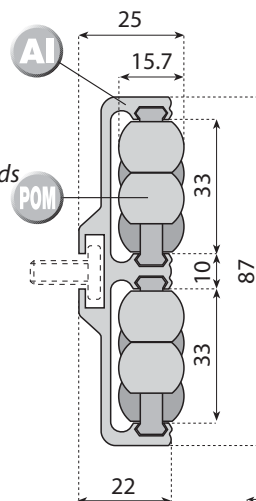


ALUMINUM SPEEDROLL™

Material: straps in aluminum, rollers in acetal resin. Screws in stainless steel.

Features:

- A wider bead-guide surface
- Easy to bend (inner and outer curves)
- Can be cut to any length between beads
- FDA approved engineered polymer



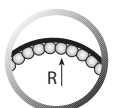
Acetal resin



Aluminum



T-head screw M8
Splicing Pins



Min. bending
Radius 508mm



PATENTED



PATENT
FEATURE

Par. # 6,516,933
(USA)

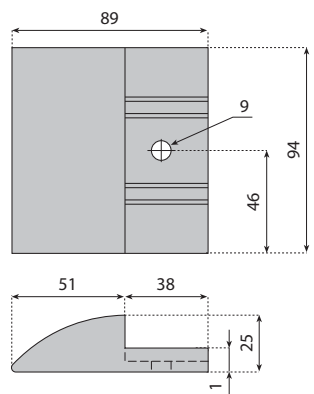
686A 76 - ALUMINUM SPEEDROLL™ 87mm

Code	Ref.			
16S00004	VG-686A-76-2M	n°5*	2 m	n°2
16S00005	VG-686A-76-3M	n°6*	3 m	

* Number of **13S00256** bolts included.

MSP 76 - SIDE PLOW

Code	Ref.		Material	
16S00007	VG-686MSP-76	n°4	Nolu-S	Light Grey



Stainless steel fastener included.

Valu Guide Combiners

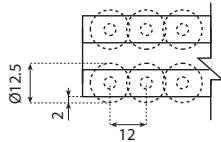
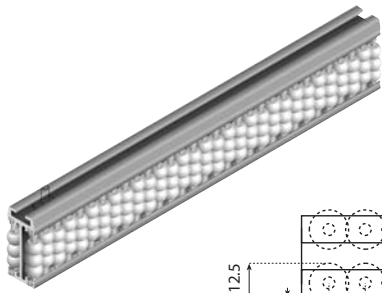
ALUMINUM SPEEDRAIL SB™

Material: straps in aluminum, rollers in acetal resin. Screws in stainless steel.

Features:

- Easy mounting
- Great for polywrapped containers or PET
- On site bendable
- Cut to desired length
- FDA approved engineered polymer

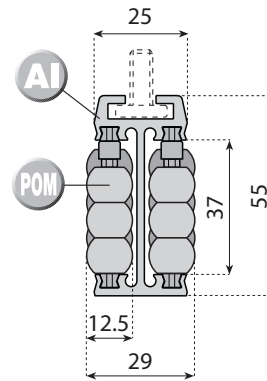
Preferred type, readily available (codes marked in red)



687 37 - ALUMINUM SPEEDRAIL SB™ 55mm

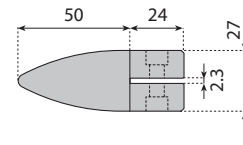
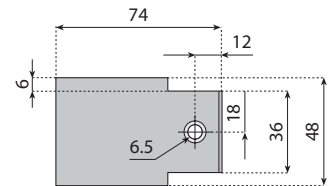
Code	Ref.			
16S00050	VG-687-37-2M	n°5*	2 m	n°2
16S00051	VG-687-37-3M	n°6*	3 m	n°2

* Number of **13S00256** bolts included.



MNP 37 - NOSE PLOW

Code	Ref.		Material	
16S00151	VG-687MNP-37	n°4	Nolu-S	Light Grey



POM
Acetal resin

AI
Aluminum

174→175

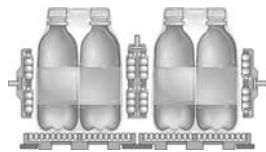
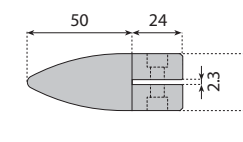
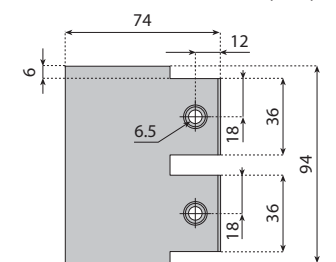
Min. bending Radius 760mm

[T-head screw M8 Splicing Pins](#)

PATENTED

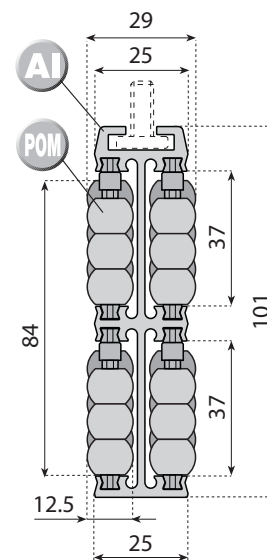
PATENT FEATURE

Par. # 6,516,933 (USA)



687 83 - ALUMINUM SPEEDRAIL SB™ 101mm

Code	Ref.			
16S00052	VG-687-83-2M	n°5*	2 m	n°2
16S00053	VG-687-83-3M	n°6*	3 m	n°2



MNP 83 - NOSE PLOW

Code	Ref.		Material	
16S00152	VG-687MNP-83	n°4	Nolu-S	Light Grey



Stainless steel fastener included.

Valu Guide Combiners

ALUMINUM SPEEDROLL SB

Material: straps in aluminum, rollers in acetal resin. Screws in stainless steel.

Features:

- Easy mounting
- Great for polywrapped containers or PET
- On site bendable
- Cut to desired length
- FDA approved engineered polymer

 Preferred type, readily available (codes marked in red)



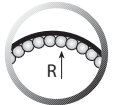
Acetal resin



Aluminum



T-head screw M8
Splicing Pins



Min. bending
Radius 760mm



PATENTED

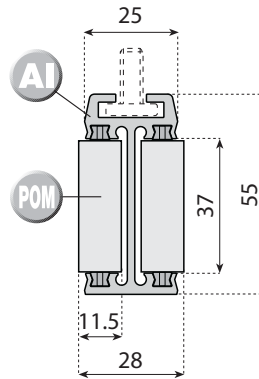
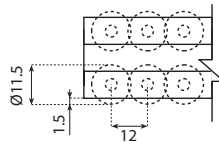


PATENT FEATURE



Par. # 6,516,933
(USA)



Consult pages
123 → 127 for
bending machines






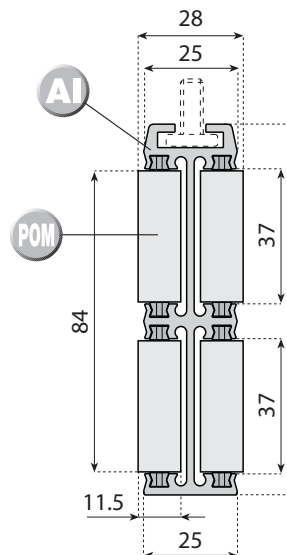
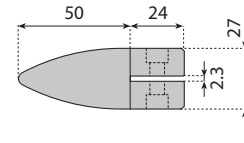
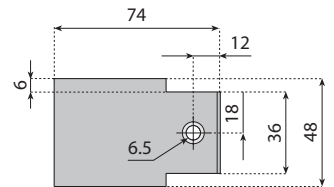
688 37 - ALUMINUM SPEEDROLL™ 55mm

Code	Ref.			
16S00200	VG-688-37-2M	n°5*	2 m	n°2
16S00201	VG-688-37-3M	n°6*	3 m	




* Number of 13S00256 bolts included.

MNP 37 - NOSE PLOW

Code	Ref.			
16S00151	VG-687MNP-37	n°4	Nolu-S	Light Grey






688 83 - ALUMINUM SPEEDROLL™ 101mm

Code	Ref.			
16S00202	VG-688-83-2M	n°5*	2 m	n°2
16S00203	VG-688-83-3M	n°6*	3 m	

* Number of 13S00256 bolts included.

MNP 83 - NOSE PLOW

Code	Ref.			
16S00152	VG-687MNP-83	n°4	Nolu-S	Light Grey



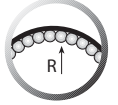
Acetal resin



Aluminum



T-head screw M8
Splicing Pins



Min. bending
Radius 760mm

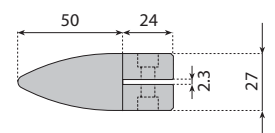
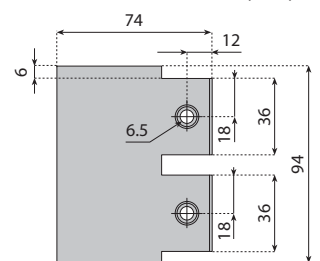


PATENTED



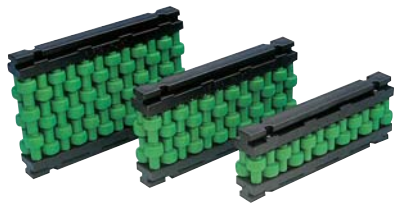
PATENT FEATURE

Par. # 6,516,933
(USA)



Stainless steel fastener included.

Intermediary roller modules for straight sections



INTERMEDIARY ROLLER MODULES FOR STRAIGHT SECTIONS ONE ROLLER • TWO ROLLERS • THREE ROLLERS

Material: straps in reinforced polyamide, rollers in acetal resin, screws in stainless steel. Pins see the table.
Conductive version: straps in reinforced polyamide conductive, rollers and pins in acetal resin conductive.
Supply: single module L. 168 mm.
Standard packaging: 40 modules.
Applications: designed for rugged boxes and containers.

Features:

- Low noise rollers.
- Excellent for accumulation areas.
- Long life and smooth operation.
- Easy and quick installation.

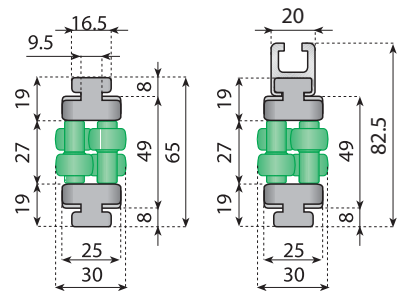
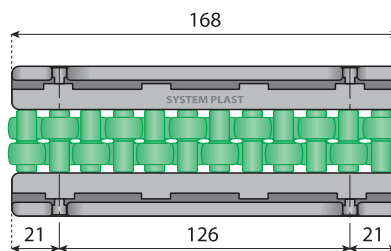
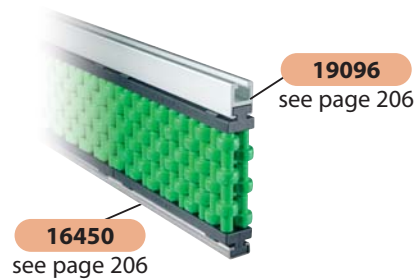
Preferred type, readily available (codes marked in red)

ONE ROLLER MODULE

Components:

N° 24 Pins • N° 24 Rollers • N° 2 Straps.

Code	Kg/Pcs	Pins Material	Roller
16351		POM	Green
16351B	0.27	POM	White
16351AS		POM Antistatic	Antistatic black
16351SS		S/S	Green
16351SSB	0.44	AISI 430F	White
16351ASS			Antistatic black

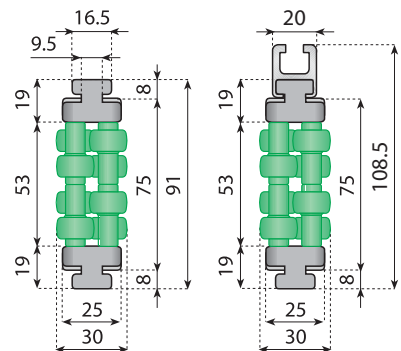
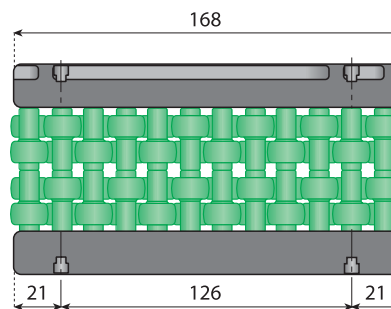


TWO ROLLERS MODULE

Components:

N° 24 Pins • N° 48 Rollers • N° 2 Straps.

Code	Kg/Pcs	Pins Material	Roller
16352		POM	Green
16352B	0.32	POM	White
16352AS		POM Antistatic	Antistatic black
16352SS		S/S	Green
16352SSB	0.66	AISI 430F	White
16352ASS			Antistatic black

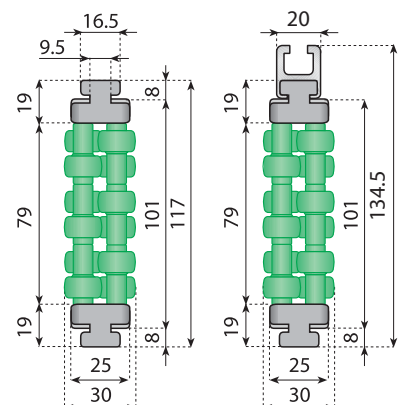
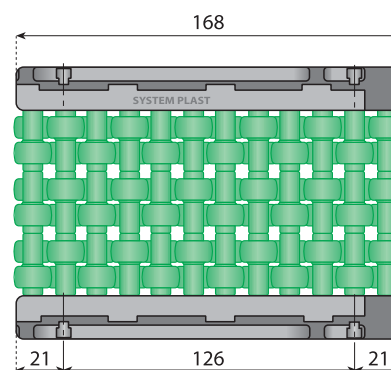


THREE ROLLERS MODULE

Components:

N° 24 Pins • N° 72 Rollers • N° 2 Straps.

Code	Kg/Pcs	Pins Material	Roller
16353SS		S/S	Green
16353SSB	0.88	AISI 430F	White
16353ASS			Antistatic black



Acetal resin



Polyamide



Acetal resin conductive



Polyamide conductive



Accessories



AISI 304 Stainless steel



Intermediary roller guide with steel profile for straight sections



INTERMEDIARY ROLLER GUIDE WITH STEEL PROFILE FOR STRAIGHT SECTIONS - ONE ROLLER -

Material: straps in reinforced polyamide, rollers in acetal resin, screws in stainless steel.
Pins and metal profile see the table.

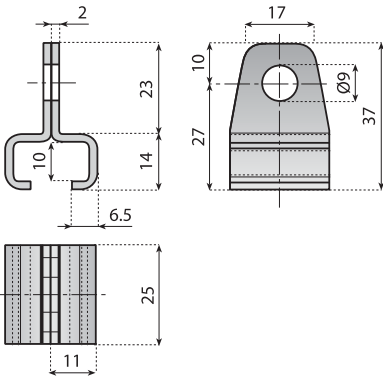
Supply: 1m steel profile with 6 roller modules.
2m steel profile with 12 roller modules.
3m steel profile with 18 roller modules.

Standard packaging: 5 completely assembled profiles.
Applications: designed for rugged boxes and containers.

 Preferred type, readily available (codes marked in red)






Features:

- Low noise rollers.
- Excellent for accumulation areas.
- Long life and smooth operation.
- Easy and quick installation.



CLAMP

Code	Material	
13833	SS AISI 304	n°50

Code	 Kg/m	 L	 Pins Material	 Profile Material	 Roller
16150		1 m			Green
16150B		1 m			White
16151	2.42	2 m	POM	S/S AISI 304	Green
16151B		2 m			White
16152		3 m			Green
16152B		3 m			White
16160		1 m			Green
16160B		1 m			White
16161	2.42	2 m	POM	Zinc plated steel	Green
16161B		2 m			White
16162		3 m			Green
16162B		3 m			White
16150SS		1 m			Green
16150SSB		1 m			White
16151SS	3.44	2 m	S/S AISI 430F	S/S AISI 304	Green
16151SSB		2 m			White
16152SS		3 m			Green
16152SSB		3 m			White
16160SS		1 m			Green
16160SSB		1 m			White
16161SS	3.44	2 m	S/S AISI 430F	Zinc plated steel	Green
16161SSB		2 m			White
16162SS		3 m			Green
16162SSB		3 m			White
16150AS		1 m	POM	S/S AISI 304	Antistatic black
16151AS	2.42	2 m	Antistatic		
16152AS		3 m			
16160AS		1 m	POM	Zinc plated steel	Antistatic black
16161AS	2.42	2 m	Antistatic		
16162AS		3 m			
16150ASS		1 m	S/S AISI 430F	S/S AISI 304	Antistatic black
16151ASS	3.44	2 m			
16152ASS		3 m			
16160ASS		1 m	S/S AISI 430F	Zinc plated steel	Antistatic black
16161ASS	3.44	2 m			
16162ASS		3 m			



Polyamide conductive



Acetal resin conductive



Polyamide



Zinc plated steel



Acetal resin



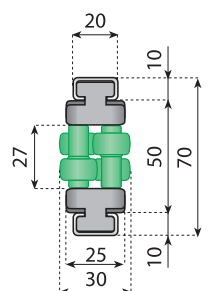
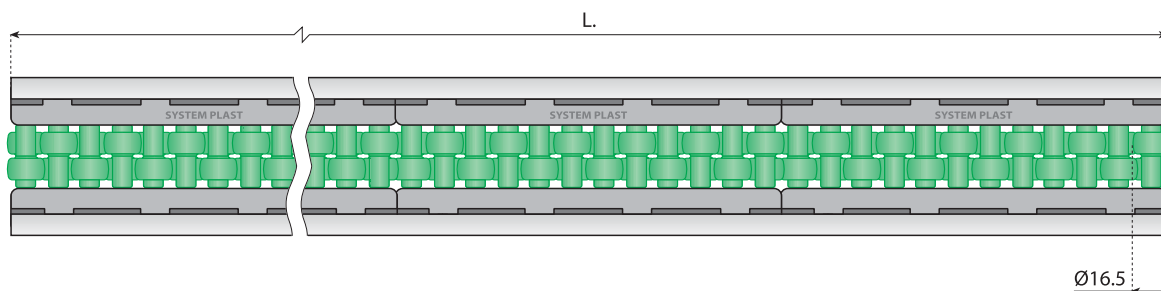
AISI 430 Stainless steel



AISI 304 Stainless steel



[Accessories](#)



Intermediary roller guide with steel profile for straight sections



INTERMEDIARY ROLLER GUIDE WITH STEEL PROFILE FOR STRAIGHT SECTIONS - TWO ROLLERS -

Material: straps in reinforced polyamide, rollers in acetal resin, screws in stainless steel.
Pins and metal profile see the table.

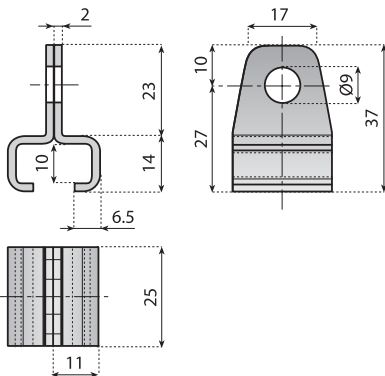
Supply: 1m steel profile with 6 roller modules.
2m steel profile with 12 roller modules.
3m steel profile with 18 roller modules.

Standard packaging: 5 completely assembled profiles.
Applications: designed for rugged boxes and containers.

Preferred type, readily available (codes marked in red)

Features:

- Low noise rollers.
- Excellent for accumulation areas.
- Long life and smooth operation.
- Easy and quick installation.



CLAMP

Code

13833

SS AISI 304

n°50

Material



Code	Kg/m	L	Pins Material	Profile Material	Roller
16153		1 m			Green
16153B		1 m			White
16154	2.72	2 m	POM	S/S AISI 304	Green
16154B		2 m			White
16155		3 m			Green
16155B		3 m			White
16163		1 m			Green
16163B		1 m			White
16164	2.72	2 m	POM	Zinc plated steel	Green
16164B		2 m			White
16165		3 m			Green
16165B		3 m			White
16153SS		1 m			Green
16153SSB		1 m			White
16154SS	4.76	2 m	S/S AISI 430F	S/S AISI 304	Green
16154SSB		2 m			White
16155SS		3 m			Green
16155SSB		3 m			White
16163SS		1 m			Green
16163SSB		1 m			White
16164SS	4.76	2 m	S/S AISI 430F	Zinc plated steel	Green
16164SSB		2 m			White
16165SS		3 m			Green
16165SSB		3 m			White
16153AS		1 m	POM	S/S AISI 304	Antistatic black
16154AS	2.72	2 m	Antistatic		
16155AS		3 m			
16163AS		1 m	POM	Zinc plated steel	Antistatic black
16164AS	2.72	2 m	Antistatic		
16165AS		3 m			
16153ASS		1 m	S/S AISI 430F	S/S AISI 304	Antistatic black
16154ASS	4.76	2 m			
16155ASS		3 m			
16163ASS		1 m	S/S AISI 430F	Zinc plated steel	Antistatic black
16164ASS	4.76	2 m			
16165ASS		3 m			



Polyamide conductive



Acetal resin conductive



Polyamide



Zinc plated steel



Acetal resin



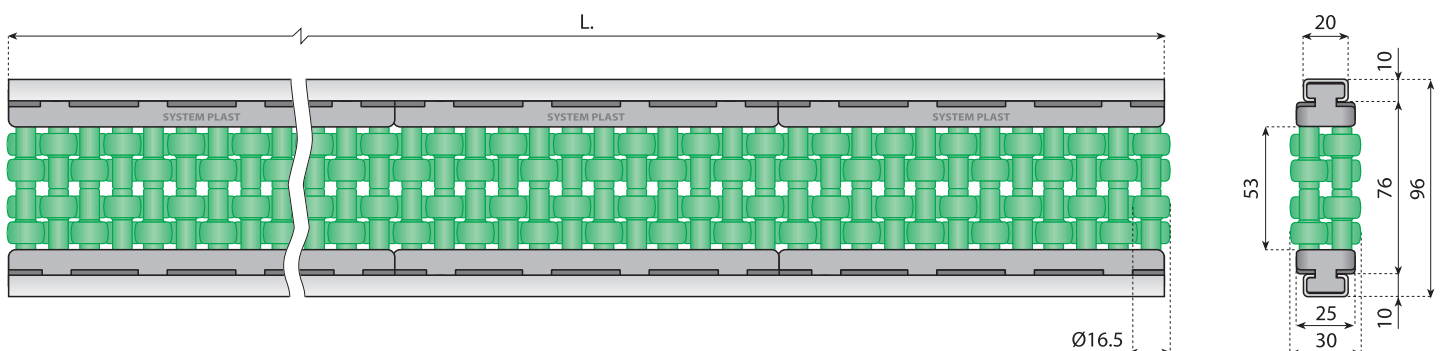
AISI 430 Stainless steel



AISI 304 Stainless steel



Accessories



Intermediary roller guide with steel profile for straight sections



- Low noise rollers.
- Excellent for accumulation areas.
- Long life and smooth operation.
- Easy and quick installation.

INTERMEDIARY ROLLER GUIDE WITH STEEL PROFILE FOR STRAIGHT SECTIONS - THREE ROLLERS -

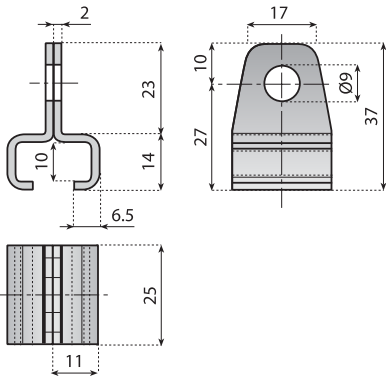
Material: straps in reinforced polyamide, rollers in acetal resin, screws in stainless steel.
Pins and metal profile see the table.

Supply: 1m steel profile with 6 roller modules.
2m steel profile with 12 roller modules.
3m steel profile with 18 roller modules.

Standard packaging: 5 completely assembled profiles.

Applications: designed for rugged boxes and containers.

Preferred type, readily available (codes marked in red)



CLAMP

Code	Material	
13833	SS AISI 304	n°50

Code	Kg/m	L	Pins Material	Profile Material	Roller
16156SS		1 m			Green
16156SSB		1 m			White
16157SS	6.08	2 m	S/S	S/S	Green
16157SSB		2 m	AISI 430F	AISI 304	White
16158SS		3 m			Green
16158SSB		3 m			White
16166SS		1 m			Green
16166SSB		1 m			White
16167SS	6.08	2 m	S/S	Zinc plated steel	Green
16167SSB		2 m	AISI 430F		White
16168SS		3 m			Green
16168SSB		3 m			White
16156AS	3.08	1 m	POM	S/S	Antistatic black
16157AS		2 m	Antistatic	AISI 304	
16158AS		3 m			
16166AS	3.08	1 m	POM	Zinc plated steel	Antistatic black
16167AS		2 m	Antistatic		
16168AS		3 m			
16156ASS	6.08	1 m	S/S	S/S	Antistatic black
16157ASS		2 m	AISI 430F	AISI 304	
16158ASS		3 m			
16166ASS	6.08	1 m	S/S	Zinc plated steel	Antistatic black
16167ASS		2 m	AISI 430F		
16168ASS		3 m			



Polyamide conductive



Acetal resin conductive



Polyamide



Zinc plated steel



Acetal resin



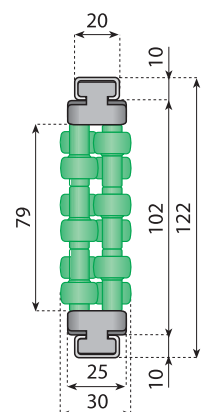
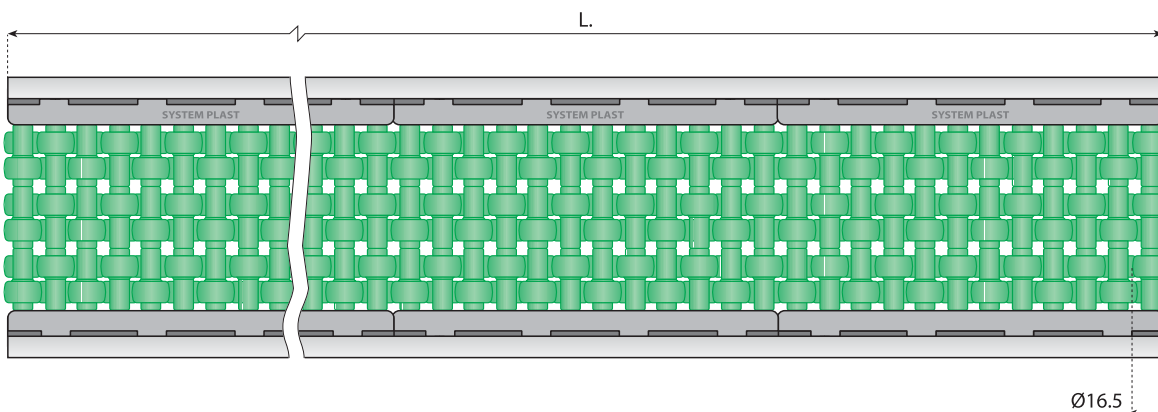
AISI 430 Stainless steel



AISI 304 Stainless steel



[Accessories](#)



Intermediary roller modules for curved sections

INTERMEDIARY ROLLER MODULES FOR CURVED SECTIONS ONE ROLLER • TWO ROLLERS • THREE ROLLERS

Material: straps in reinforced polyamide, rollers in acetal resin, screws in stainless steel. Pins see the table.

Conductive version: straps in reinforced polyamide conductive, rollers and pins in acetal resin conductive.

Supply: supplied as single module L. 85 mm.

Standard packaging: 40 modules.

Applications: designed for rugged boxes and containers.

Preferred type, readily available (codes marked in red)



Acetal resin conductive



Polyamide conductive



Acetal resin



Polyamide



Accessories

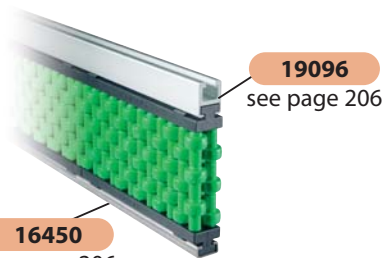


AISI 430
Stainless steel



Features:

- Low noise rollers.
- Excellent for accumulation areas.
- Long life and smooth operation.
- Easy and quick installation.



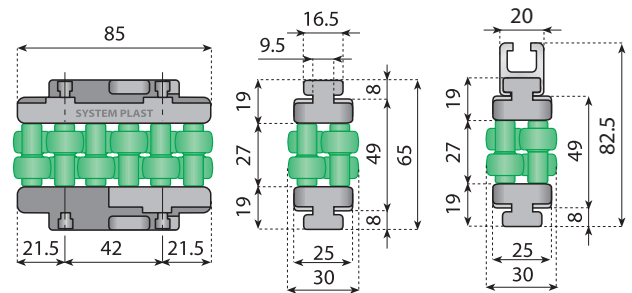
16450
see page 206

ONE ROLLER MODULE

Components:

N° 12 Pins • N° 12 Rollers • N° 2 Straps

Code	Kg/Pcs	Pins Material	Roller
16451	0.14	POM	Green
16451B		POM	White
16451AS	0.23	POM Antistatic	Antistatic black
16451SS		S/S	Green
16451SSB		AISI 430F	White
16451ASS			Antistatic black

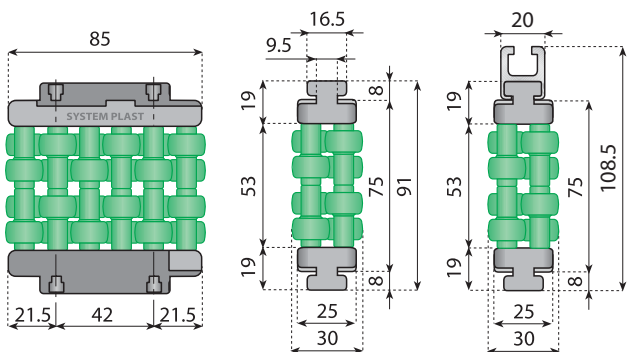


TWO ROLLERS MODULE

Components:

N° 12 Pins • N° 12 Rollers • N° 2 Straps

Code	Kg/Pcs	Pins Material	Roller
16452	0.17	POM	Green
16452B		POM	White
16452AS	0.33	POM Antistatic	Antistatic black
16452SS		S/S	Green
16452SSB		AISI 430F	White
16452ASS			Antistatic black

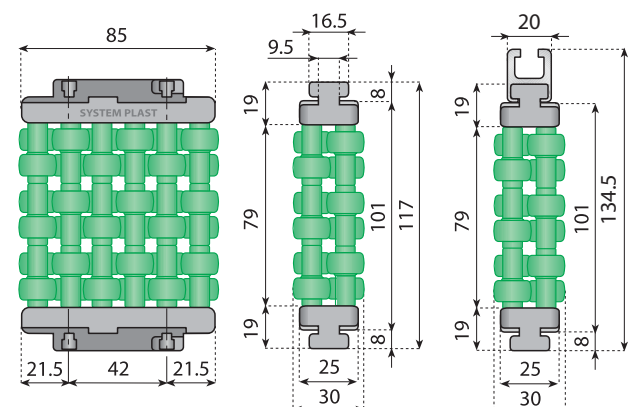


THREE ROLLERS MODULE

Components:

N° 12 Pins • N° 12 Rollers • N° 2 Straps

Code	Kg/Pcs	Pins Material	Roller
16453SS	0.44	S/S	Green
16453SSB		AISI 430F	White
16453ASS			Antistatic black



Intermediary roller guide with steel profile for curved sections

INTERMEDIARY ROLLER GUIDE WITH STEEL PROFILE FOR CURVED SECTIONS ONE ROLLER • TWO ROLLERS • THREE ROLLERS

Material: straps in reinforced polyamide, rollers in acetal resin, screws in stainless steel. Pins and metal profile see the table.

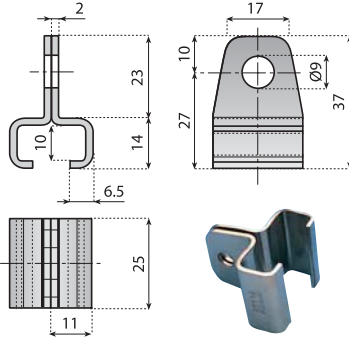
Supply: 3m steel profile with 35 roller modules 35 pieces.

Standard packaging: 5 completely assembled profiles.

Applications: designed for rugged boxes and containers.

Features:

- Low noise rollers.
- Excellent for accumulation areas.
- Long life and smooth operation.
- Easy and quick installation.



CLAMP

Code	Material	Roller
13833	SS AISI 304	n°50



Acetal resin
conductive



Polyamide
conductive



Acetal resin



Polyamide



AISI 304
Stainless steel



AISI 430
Stainless steel



Accessories

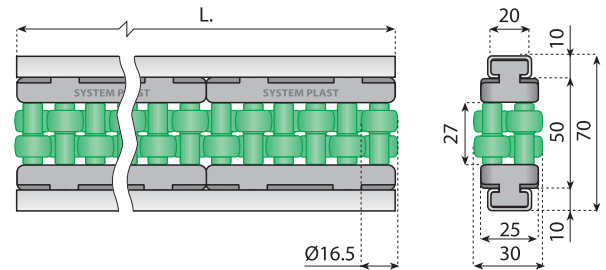


Zinc plated steel



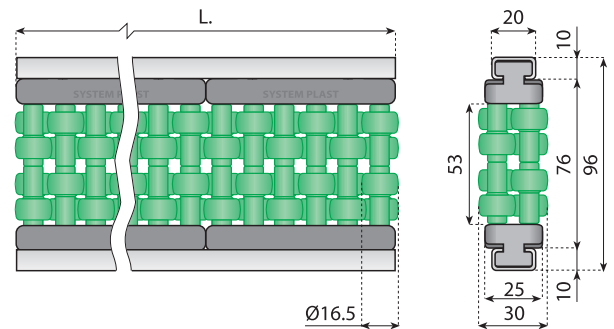
ONE ROLLER

Code	Kg/m	L	Pins Material	Profile Material	Roller
16200				S/S AISI 304	Green
16200B				S/S AISI 304	White
16201	1.9	3 m	POM	Zinc plated steel	Green
16201B				Zinc plated steel	White
16200SS				S/S AISI 304	Green
16200SSB	2.9	3 m	S/S AISI 430F	S/S AISI 304	White
16201SS				Zinc plated steel	Green
16201SSB				Zinc plated steel	White
16200AS	1.9	3 m	POM	S/S AISI 304	Antistatic black
16201AS			Antistatic	Zinc plated steel	black
16200ASS	2.9	3 m	S/S AISI 430F	S/S AISI 304	Antistatic black
16201ASS				Zinc plated steel	black



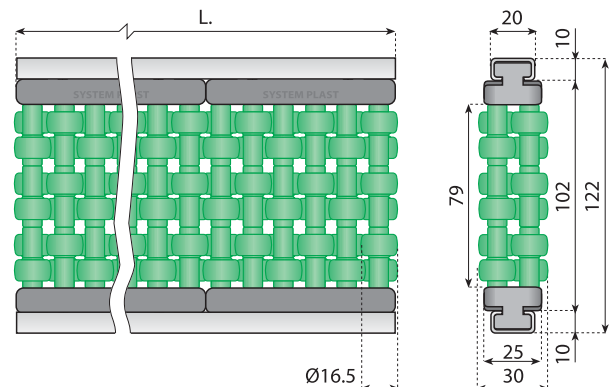
TWO ROLLERS

Code	Kg/m	L	Pins Material	Profile Material	Roller
16202				S/S AISI 304	Green
16202B	2.25	3 m	POM	S/S AISI 304	White
16203				Zinc plated steel	Green
16203B				Zinc plated steel	White
16202SS				S/S AISI 304	Green
16202SSB	4.15	3 m	S/S AISI 430F	S/S AISI 304	White
16203SS				Zinc plated steel	Green
16203SSB				Zinc plated steel	White
16202AS	2.25	3 m	POM	S/S AISI 304	Antistatic black
16203AS			Antistatic	Zinc plated steel	black
16202ASS	4.15	3 m	S/S AISI 430F	S/S AISI 304	Antistatic black
16203ASS				Zinc plated steel	black



THREE ROLLERS

Code	Kg/m	L	Pins Material	Profile Material	Roller
16204SS				S/S AISI 304	Green
16204SSB	5.40	3 m	S/S AISI 430F	S/S AISI 304	White
16205SS				Zinc plated steel	Green
16205SSB				Zinc plated steel	White
16204AS	2.60	3 m	POM	S/S AISI 304	Antistatic black
16205AS			Antistatic	Zinc plated steel	black
16204ASS	5.40	3 m	S/S AISI 430F	S/S AISI 304	Antistatic black
16205ASS				Zinc plated steel	black



Preferred type, readily available (codes marked in red)

Accumulation roller side guides with the possibility of fixing with clamps

ACCUMULATION ROLLER SIDE GUIDES - ONE ROLLER -

Material: straps in reinforced polyamide, rollers in acetal resin, screws in stainless steel. Pins and metal profile see the table.

Supply: 1m steel profile with 4 roller modules.

2m steel profile with 8 roller modules.

3m steel profile with 12 roller modules.

Standard packaging: 2 completely assembled guides.

Applications: designed for rugged boxes and containers.

Note: each segment can be pulled out without removing pins and rollers. The new design of the side strap provides a position for the clamp without the need for screws or other fixing methods on the conveyors.

Preferred type, readily available (codes marked in red)



Features:

- Low noise rollers.
- Excellent for accumulation areas.
- Long life and smooth operation.
- Easy and quick installation.

Code	Kg/m	L	Pins Material	Profile Material	Roller
16686LX		1 m			White
16686VX		1 m			Green
16687LX	2.0	2 m	POM	S/S AISI 304	White
16687VX		2 m			Green
16688LX		3 m			White
16688VX		3 m			Green
16001LX		1 m			White
16001VX		1 m			Green
16002LX	2.0	2 m	POM	Zinc plated steel	White
16002VX		2 m			Green
16003LX		3 m			White
16003VX		3 m			Green
16686LXS		1 m			White
16686VXS		1 m			Green
16687LXS	2.4	2 m	S/S AISI 430F	S/S AISI 304	White
16687VXS		2 m			Green
16688LXS		3 m			White
16688VXS		3 m			Green
16001LXS		1 m			White
16001VXS		1 m			Green
16002LXS	2.4	2 m	S/S AISI 430F	Zinc plated steel	White
16002VXS		2 m			Green
16003LXS		3 m			White
16003VXS		3 m			Green
16686LXA		1 m	POM	S/S AISI 304	Antistatic black
16687LXA	2.0	2 m	Antistatic		
16688LXA		3 m			
16001LXA		1 m	POM	Zinc plated steel	Antistatic black
16002LXA	2.0	2 m	Antistatic		
16003LXA		3 m			
16686LXAS		1 m	S/S	S/S	Antistatic black
16687LXAS	2.4	2 m	AISI 430F	AISI 304	
16688LXAS		3 m			
16001LXAS		1 m	S/S	Zinc plated steel	Antistatic black
16002LXAS	2.4	2 m	AISI 430F		
16003LXAS		3 m			



Polyamide
conductive



Acetal resin
conductive



Polyamide



Zinc plated steel



Acetal resin



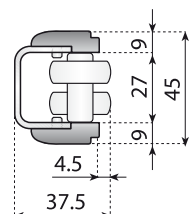
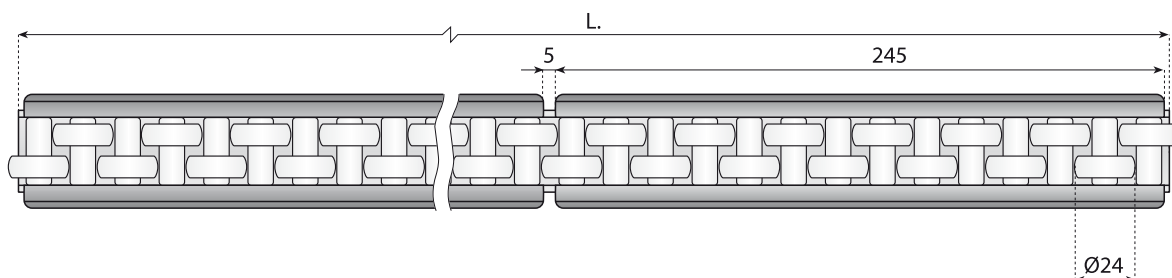
AISI 430
Stainless steel



AISI 304
Stainless steel



Accessories



Accumulation roller side guides

ACCUMULATION ROLLER SIDE GUIDES - ONE ROLLER -

Material: straps in reinforced polyamide, rollers in acetal resin, screws in stainless steel. Pins and metal profile see the table.

Supply: 1m steel profile with 4 roller modules.

2m steel profile with 8 roller modules.

3m steel profile with 12 roller modules.

Standard packaging: 2 completely assembled guides.

Applications: designed for rugged boxes and containers.






Note: each segment can be pulled out without removing pins and rollers.

 Preferred type, readily available (codes marked in red)



Features:

- Low noise rollers.
- Excellent for accumulation areas.
- Long life and smooth operation.
- Easy and quick installation.

Code	 Kg/m	 L	 Pins Material	 Profile Material	 Roller
16686L		1 m			White
16686V		1 m			Green
16687L	2.2	2 m	POM	S/S	White
16687V		2 m		AISI 304	Green
16688L		3 m			White
16688V		3 m			Green
16001L		1 m			White
16001V		1 m			Green
16002L	2.2	2 m	POM	Zinc plated steel	White
16002V		2 m			Green
16003L		3 m			White
16003V		3 m			Green
16686LSS		1 m			White
16686VSS		1 m			Green
16687LSS	2.6	2 m	S/S	S/S	White
16687VSS		2 m	AISI 430F	AISI 304	Green
16688LSS		3 m			White
16688VSS		3 m			Green
16001LSS		1 m			White
16001VSS		1 m			Green
16002LSS	2.6	2 m	S/S	Zinc plated steel	White
16002VSS		2 m	AISI 430F		Green
16003LSS		3 m			White
16003VSS		3 m			Green
16686AS		1 m	POM	S/S	Antistatic black
16687AS	2.2	2 m	Antistatic	AISI 304	
16688AS		3 m			
16001AS		1 m	POM	Zinc plated steel	Antistatic black
16002AS	2.2	2 m	Antistatic		
16003AS		3 m			
16686ASS		1 m	S/S	S/S	Antistatic black
16687ASS	2.6	2 m	AISI 430F	AISI 304	
16688ASS		3 m			
16001ASS		1 m	S/S	Zinc plated steel	Antistatic black
16002ASS	2.6	2 m	AISI 430F		
16003ASS		3 m			



Polyamide conductive



Acetal resin conductive



Polyamide



Zinc plated steel



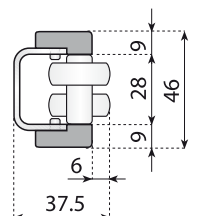
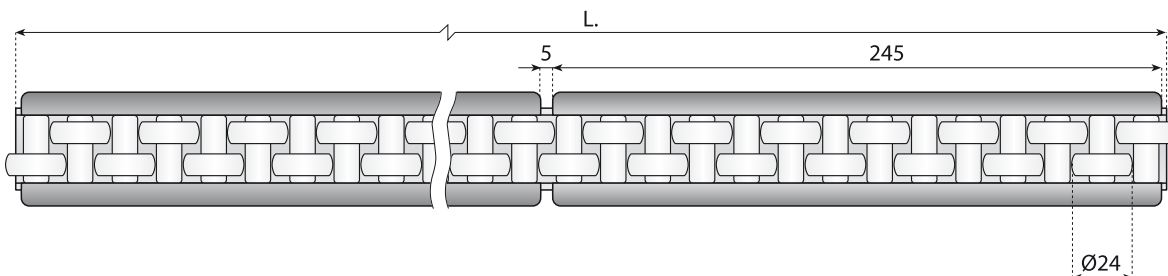
Acetal resin



AISI 430
Stainless steel



AISI 304
Stainless steel



Accumulation roller side guides

ACCUMULATION ROLLER SIDE GUIDES - TWO ROLLERS -

Material: straps in reinforced polyamide, rollers in acetal resin, screws in stainless steel. Pins and metal profile see the table.

Supply: 1m steel profile with 4 roller modules.
2m steel profile with 8 roller modules.
3m steel profile with 12 roller modules.

Standard packaging: 2 completely assembled guides.

Applications: designed for rugged boxes and containers.

Note: each segment can be pulled out without removing pins and rollers.

Preferred type, readily available (codes marked in red)



Features:

- Low noise rollers.
- Excellent for accumulation areas.
- Long life and smooth operation.
- Easy and quick installation.

Code	Kg/m	L	Pins Material	Profile Material	Roller
16683L		1 m			White
16683V		1 m			Green
16684L	3.1	2 m	POM	S/S AISI 304	White
16684V		2 m			Green
16685L		3 m			White
16685V		3 m			Green
16004L		1 m			White
16004V		1 m			Green
16005L	3.1	2 m	POM	Zinc plated steel	White
16005V		2 m			Green
16006L		3 m			White
16006V		3 m			Green
16683LSS		1 m			White
16683VSS		1 m			Green
16684LSS	3.8	2 m	S/S AISI 430F	S/S AISI 304	White
16684VSS		2 m			Green
16685LSS		3 m			White
16685VSS		3 m			Green
16004LSS		1 m			White
16004VSS		1 m			Green
16005LSS	3.8	2 m	S/S AISI 430F	Zinc plated steel	White
16005VSS		2 m			Green
16006LSS		3 m			White
16006VSS		3 m			Green
16683AS		1 m	POM	S/S AISI 304	Antistatic black
16684AS	3.1	2 m	Antistatic		
16685AS		3 m			
16004AS		1 m	POM	Zinc plated steel	Antistatic black
16005AS	3.1	2 m	Antistatic		
16006AS		3 m			
16683ASS		1 m	S/S	S/S	Antistatic black
16684ASS	3.8	2 m	AISI 430F	AISI 304	
16685ASS		3 m			
16004ASS		1 m	S/S	Zinc plated steel	Antistatic black
16005ASS	3.8	2 m	AISI 430F		
16006ASS		3 m			



Polyamide
conductive



Acetal resin
conductive



Polyamide



Zinc plated steel



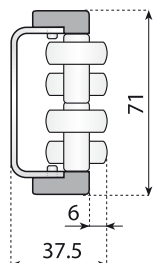
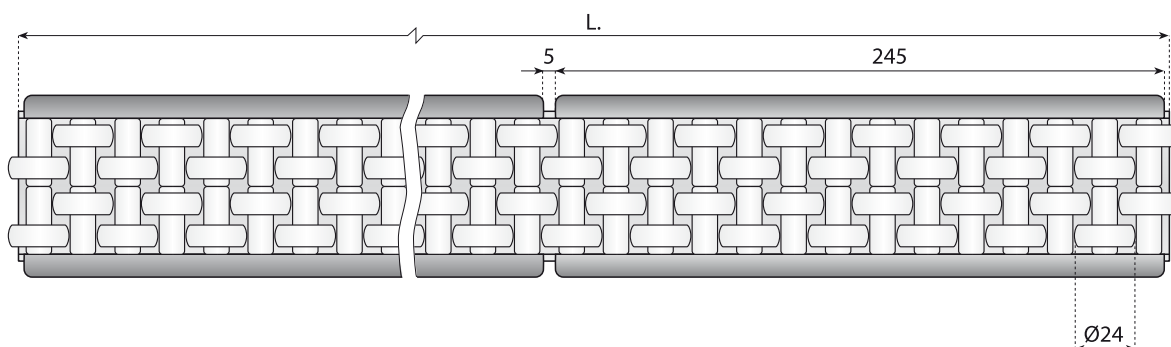
Acetal resin



AISI 430
Stainless steel



AISI 304
Stainless steel



Accumulation roller side guides

ACCUMULATION ROLLER SIDE GUIDES - THREE ROLLERS -

Material: straps in reinforced polyamide, rollers in acetal resin, screws in stainless steel. Pins and metal profile see the table.

Supply: 1m steel profile with 4 roller modules.
2m steel profile with 8 roller modules.
3m steel profile with 12 roller modules.

Standard packaging: 2 completely assembled guides.

Applications: designed for rugged boxes and containers.






Note: each segment can be pulled out without removing pins and rollers.

 Preferred type, readily available (codes marked in red)



Features:

- Low noise rollers.
- Excellent for accumulation areas.
- Long life and smooth operation.
- Easy and quick installation.

Code	 Kg/m	 L	 Pins Material	 Profile Material	 Roller
16689L		1 m			White
16689V		1 m			Green
16690L	5.0	2 m	S/S	S/S	White
16690V		2 m	AISI 430F	AISI 304	Green
16691L		3 m			White
16691V		3 m			Green
16007L		1 m			White
16007V		1 m			Green
16008L	5.0	2 m	S/S	Zinc	White
16008V		2 m	AISI 430F	plated steel	Green
16009L		3 m			White
16009V		3 m			Green
16689AS		1 m			
16690AS	5.0	2 m	S/S	S/S	Black/Antistatic
16691AS		3 m	AISI 430F	AISI 304	
16007AS		1 m			
16008AS	5.0	2 m	S/S	Zinc	Black/Antistatic
16009AS		3 m	AISI 430F	plated steel	



Polyamide conductive



Acetal resin conductive



Polyamide



Zinc plated steel



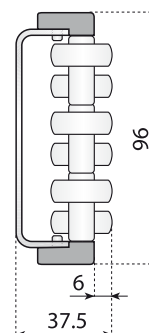
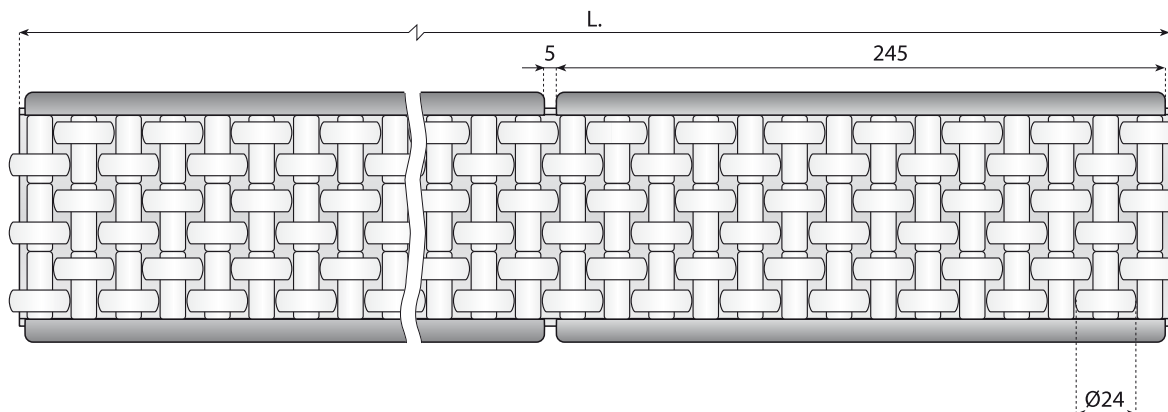
Acetal resin



AISI 430
Stainless steel



AISI 304
Stainless steel



Accumulation roller side guides

ACCUMULATION ROLLER SIDE GUIDES - FOUR ROLLERS -

Material: straps in reinforced polyamide, rollers in acetal resin, screws in stainless steel. Pins and metal profile see the table.

Supply: 1m steel profile with 4 roller modules.

2m steel profile with 8 roller modules.

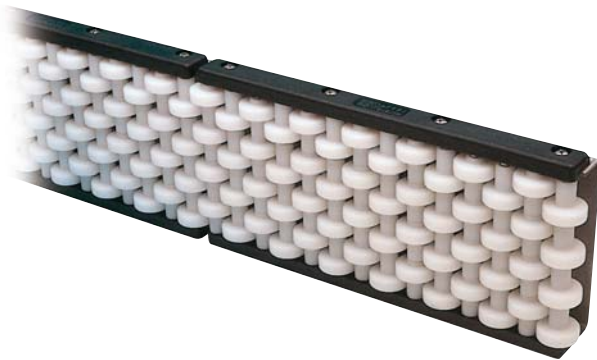
3m steel profile with 12 roller modules.

Standard packaging: 2 completely assembled guides.

Applications: designed for rugged boxes and containers.

Note: each segment can be pulled out without removing pins and rollers.

Preferred type, readily available (codes marked in red)



Polyamide conductive



Acetal resin conductive



Polyamide



Zinc plated steel



Acetal resin



AISI 430 Stainless steel

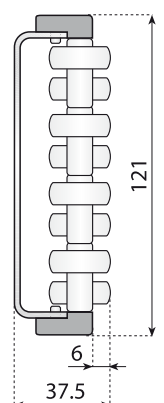
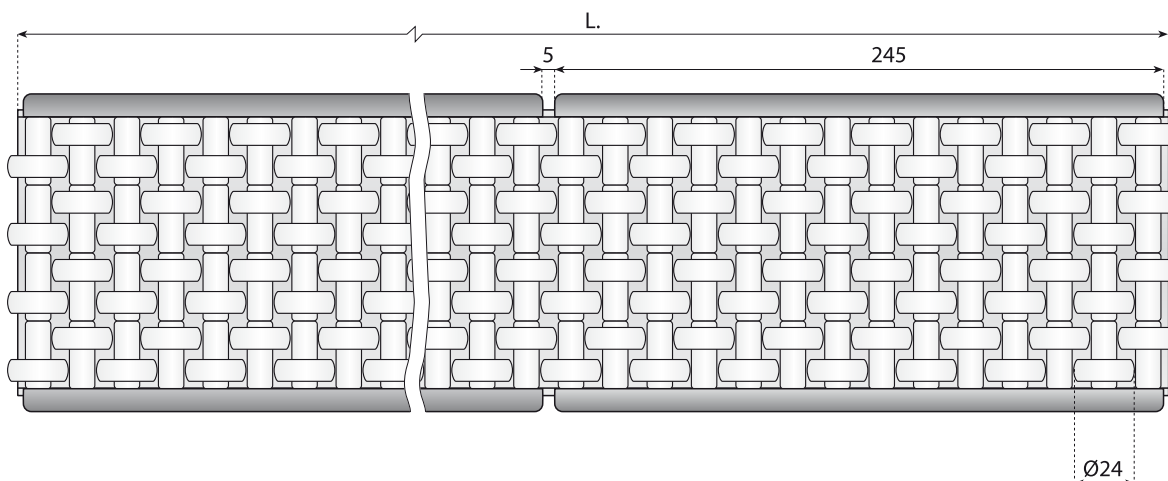


AISI 304 Stainless steel

Features:

- Low noise rollers.
- Excellent for accumulation areas.
- Long life and smooth operation.
- Easy and quick installation.

Code	Kg/m	L	Pins Material	Profile Material	Roller
16400L		1 m			White
16400V		1 m			Green
16401L	6.2	2 m	S/S	S/S	White
16401V		2 m	AISI 430F	AISI 304	Green
16402L		3 m			White
16402V		3 m			Green
16011L		1 m			White
16011V		1 m			Green
16012L	6.2	2 m	S/S	Zinc	White
16012V		2 m	AISI 430F	plated steel	Green
16013L		3 m			White
16013V		3 m			Green
16400AS		1 m	S/S	S/S	Black/Antistatic
16401AS	6.2	2 m	AISI 430F	AISI 304	Black/Antistatic
16402AS		3 m			
16011AS		1 m	S/S	Zinc	Black/Antistatic
16012AS	6.2	2 m	AISI 430F	plated steel	Black/Antistatic
16013AS		3 m			



Accumulation roller side guides

ACCUMULATION ROLLER SIDE GUIDES - ONE ROLLER -

Material: straps in reinforced polyamide, rollers in acetal resin, screws in stainless steel. Pins and metal profile see the table.

Supply: 1m steel profile with 4 roller modules.
2m steel profile with 8 roller modules.
3m steel profile with 12 roller modules.

Standard packaging: 2 completely assembled guides.

Applications: designed for rugged boxes and containers.

Note: each segment can be pulled out without removing pins and rollers.






 Preferred type, readily available (codes marked in red)



Features:

- Low noise rollers.
- Excellent for accumulation areas.
- Long life and smooth operation.
- Easy and quick installation.

Mini gap

Code	 Kg/m	 L	 Pins Material	 Profile Material	 Roller
16050B		1 m			White
16050		1 m			Green
16051B	2.4	2 m	POM	S/S	White
16051		2 m		AISI 304	Green
16052B		3 m			White
16052		3 m			Green
16030B		1 m			White
16030		1 m			Green
16031B	2.4	2 m	POM	Zinc plated steel	White
16031		2 m			Green
16032B		3 m			White
16032		3 m			Green
16050BSS		1 m			White
16050SS		1 m			Green
16051BSS	2.8	2 m	S/S	S/S	White
16051SS		2 m	AISI 430F	AISI 304	Green
16052BSS		3 m			White
16052SS		3 m			Green
16030BSS		1 m			White
16030SS		1 m			Green
16031BSS	2.8	2 m	S/S	Zinc plated steel	White
16031SS		2 m	AISI 430F		Green
16032BSS		3 m			White
16032SS		3 m			Green
16050AS		1 m	POM	S/S	Antistatic black
16051AS	2.4	2 m	Antistatic	AISI 304	
16052AS		3 m			
16030AS		1 m	POM	Zinc plated steel	Antistatic black
16031AS	2.4	2 m	Antistatic		
16032AS		3 m			
16050ASS		1 m	S/S	S/S	Antistatic black
16051ASS	2.8	2 m	AISI 430F	AISI 304	
16052ASS		3 m			
16030ASS		1 m	S/S	Zinc plated steel	Antistatic black
16031ASS	2.8	2 m	AISI 430F		
16032ASS		3 m			



Polyamide conductive



Acetal resin conductive



Polyamide



Zinc plated steel



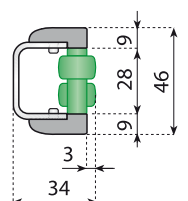
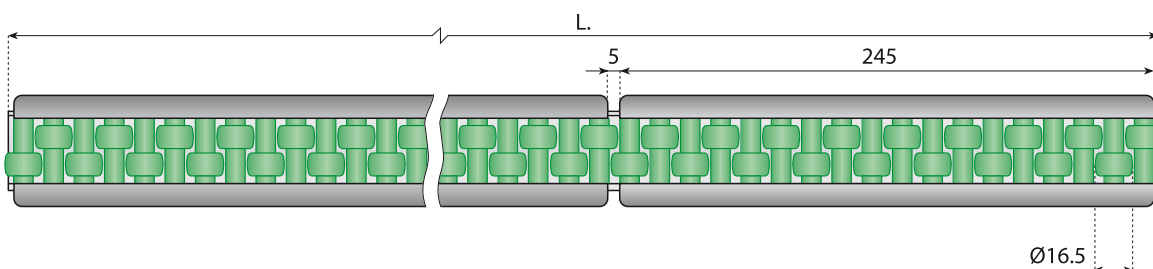
Acetal resin



AISI 430 Stainless steel



AISI 304 Stainless steel



Accumulation roller side guides

ACCUMULATION ROLLER SIDE GUIDES - TWO ROLLERS -

Material: straps in reinforced polyamide, rollers in acetal resin, screws in stainless steel. Pins and metal profile see the table.

Supply: 1m steel profile with 4 roller modules.
2m steel profile with 8 roller modules.
3m steel profile with 12 roller modules.

Standard packaging: 2 completely assembled guides.

Applications: designed for rugged boxes and containers.

Note: each segment can be pulled out without removing pins and rollers.

Preferred type, readily available (codes marked in red)



Features:

- Low noise rollers.
- Excellent for accumulation areas.
- Long life and smooth operation.
- Easy and quick installation.

Mini gap

Code	Kg/m	L	Pins Material	Profile Material	Roller
16053B		1 m			White
16053		1 m			Green
16054B	3.5	2 m	POM	S/S	White
16054		2 m		AISI 304	Green
16055B		3 m			White
16055		3 m			Green
16033B		1 m			White
16033		1 m			Green
16034B	3.5	2 m	POM	Zinc plated steel	White
16034		2 m			Green
16035B		3 m			White
16035		3 m			Green
16053BSS		1 m			White
16053SS		1 m			Green
16054BSS	4.1	2 m	S/S	S/S	White
16054SS		2 m	AISI 430F	AISI 304	Green
16055BSS		3 m			White
16055SS		3 m			Green
16033BSS		1 m			White
16033SS		1 m			Green
16034BSS	4.1	2 m	S/S	Zinc plated steel	White
16034SS		2 m	AISI 430F		Green
16035BSS		3 m			White
16035SS		3 m			Green
16053AS		1 m	POM	S/S	Antistatic black
16054AS	3.5	2 m	Antistatic	AISI 304	
16055AS		3 m			
16033AS		1 m	POM	Zinc plated steel	Antistatic black
16034AS	3.5	2 m	Antistatic		
16035AS		3 m			
16053ASS		1 m	S/S	S/S	Antistatic black
16054ASS	4.1	2 m	AISI 430F	AISI 304	
16055ASS		3 m			
16033ASS		1 m	S/S	Zinc plated steel	Antistatic black
16034ASS	4.1	2 m	AISI 430F		
16035ASS		3 m			



Polyamide conductive



Acetal resin conductive



Polyamide



Zinc plated steel



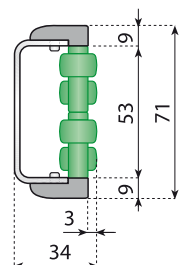
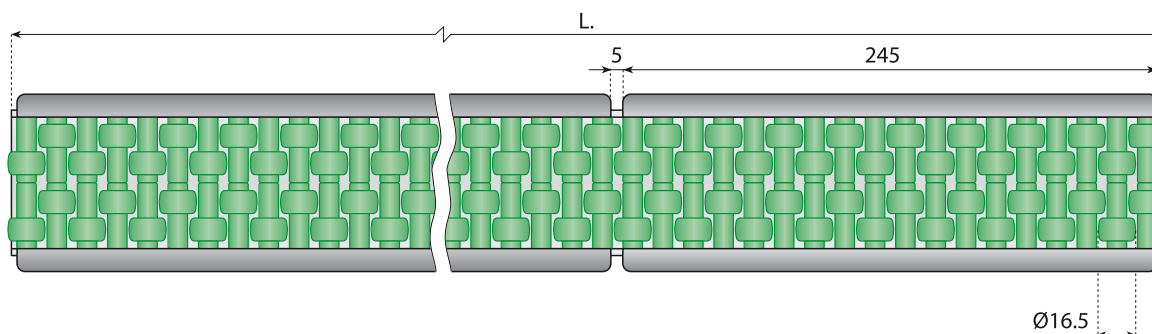
Acetal resin



AISI 430 Stainless steel



AISI 304 Stainless steel



Accumulation roller side guides

ACCUMULATION ROLLER SIDE GUIDES - THREE ROLLERS -

Material: straps in reinforced polyamide, rollers in acetal resin, screws in stainless steel. Pins and metal profile see the table.

Supply: 1m steel profile with 4 roller modules.

2m steel profile with 8 roller modules.

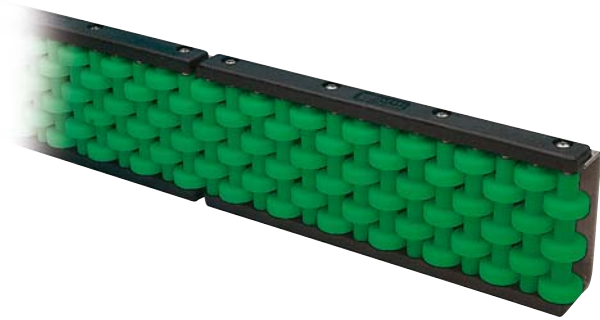
3m steel profile with 12 roller modules.

Standard packaging: 2 completely assembled guides.

Applications: designed for rugged boxes and containers.

Note: each segment can be pulled out without removing pins and rollers.






 Preferred type, readily available (codes marked in red)



Features:

- Low noise rollers.
- Excellent for accumulation areas.
- Long life and smooth operation.
- Easy and quick installation.

Mini gap

Code					
16056B		1 m			White
16056		1 m			Green
16057B	5.4	2 m	S/S	S/S	White
16057		2 m	AISI 430F	AISI 304	Green
16058B		3 m			White
16058		3 m			Green
16036B		1 m			White
16036		1 m			Green
16037B	5.4	2 m	S/S	Zinc	White
16037		2 m	AISI 430F	plated steel	Green
16038B		3 m			White
16038		3 m			Green
16056AS		1 m			
16057AS	5.4	2 m	S/S	S/S	Black/Antistatic
16058AS		3 m	AISI 430F	AISI 304	
16036AS		1 m			
16037AS	5.4	2 m	S/S	Zinc	Black/Antistatic
16038AS		3 m	AISI 430F	plated steel	



Polyamide conductive



Acetal resin conductive



Polyamide



Zinc plated steel



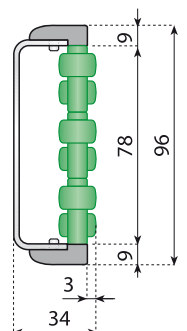
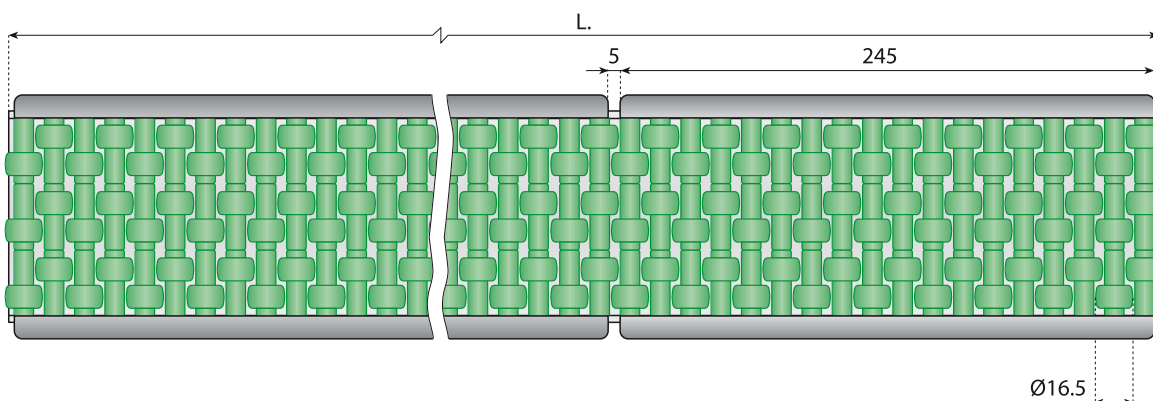
Acetal resin



AISI 430
Stainless steel



AISI 304
Stainless steel



Accumulation roller side guides

ACCUMULATION ROLLER SIDE GUIDES - FOUR ROLLERS -

Material: straps in reinforced polyamide, rollers in acetal resin, screws in stainless steel. Pins and metal profile see the table.

Supply: 1m steel profile with 4 roller modules.
2m steel profile with 8 roller modules.
3m steel profile with 12 roller modules.

Standard packaging: 2 completely assembled guides.

Applications: designed for rugged boxes and containers.

Note: each segment can be pulled out without removing pins and rollers.

Preferred type, readily available (codes marked in red)



Mini gap

Features:

- Low noise rollers.
- Excellent for accumulation areas.
- Long life and smooth operation.
- Easy and quick installation.

Code	Kg/m	L	Pins Material	Profile Material	Roller
16059B		1 m			White
16059		1 m			Green
16060B	6.6	2 m	S/S	S/S	White
16060		2 m	AISI 430F	AISI 304	Green
16061B		3 m			White
16061		3 m			Green
16039B		1 m			White
16039		1 m			Green
16040B	6.6	2 m	S/S	Zinc plated steel	White
16040		2 m	AISI 430F		Green
16041B		3 m			White
16041		3 m			Green
16059AS	6.6	1 m	S/S	S/S	Black/Antistatic
16060AS		2 m	AISI 430F	AISI 304	
16061AS		3 m			
16039AS		1 m	S/S	Zinc	Black/Antistatic
16040AS	6.6	2 m	AISI 430F	plated steel	
16041AS		3 m			



Polyamide conductive



Acetal resin conductive



Polyamide



Zinc plated steel



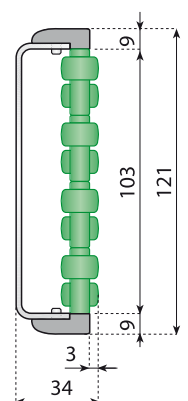
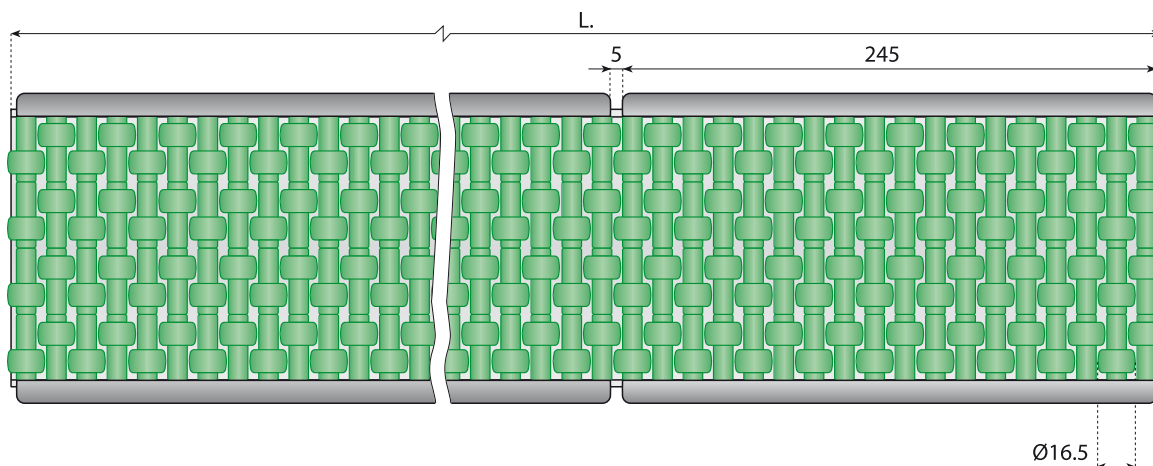
Acetal resin



AISI 430
Stainless steel

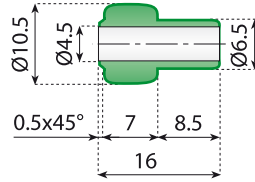


AISI 304
Stainless steel



Accessories for accumulation roller guide

 Preferred type, readily available (codes marked in red)



ROLLER

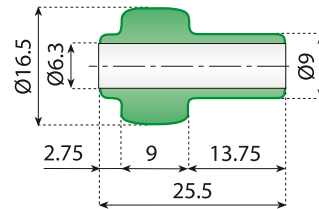
Code
121786
121786B
121786V
121786W
121786AS



n°100

POM

Orange
White
Green
Water blue
Antistatic black



ROLLER

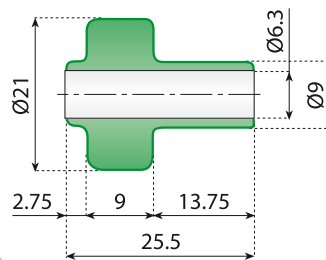
Code
12306
12306B
12306AS



n°100

POM

Green
White
Antistatic black



ROLLER

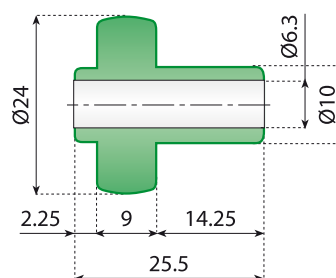
Code
12816
12816B
12816AS



n°100

POM

Green
White
Antistatic black



ROLLER

Code
12308
12308G
12308AS



n°100

POM

White
Green
Antistatic black

Accessories for accumulation roller guide

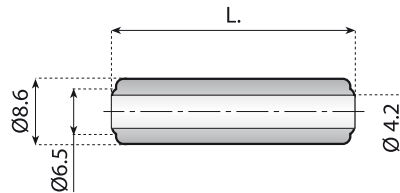
Preferred type, readily available (codes marked in red)



Acetal resin

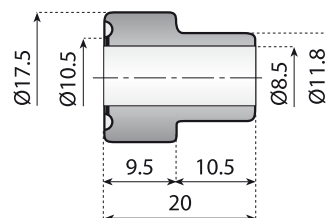


Polyamide



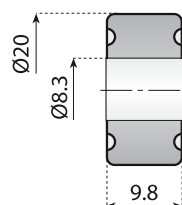
ROLLER

Code			Material	
121790				Orange
121790B	32.5	n°100	POM	White
121790V				Green
121790W				Water blue
121792				Orange
121792B	64.5	n°100	POM	White
121792V				Green
121792W				Water blue



ROLLER

Code		Material	
12301	n°100	POM	Black



ROLLER

Code		Material	
12300	n°100	POM	Black

Accessories for accumulation roller guide

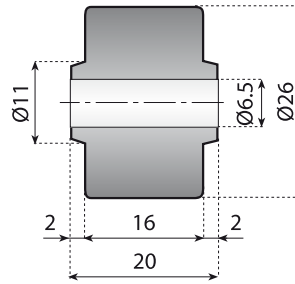
 Preferred type, readily available (codes marked in red)



Acetal resin

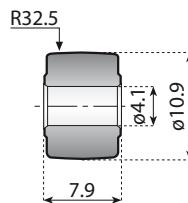


Polyamide



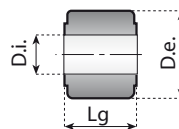
ROLLER

Code		Material	
12818	n°100	PA	Black





ROLLER

Code		Material	
12025	n°100	POM	Black
12025W			Water blue

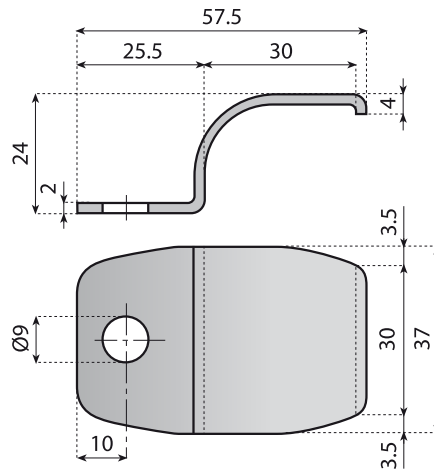


ROLLER

Code	D.e.	D.i.	Lg		Material	
12026	10.9		8.5			Black
12026W	10.9		8.5			Water blue
12027	10.9		9.2			Black
12027W	10.9	5.2	9.2	n°100	POM	Water blue
12028	9.5		9.2			Black
12028W	9.5		9.2			Water blue

Accessories for accumulation roller guide

Preferred type, readily available (codes marked in red)



AISI 304
Stainless steel

CLAMP

Code

13829

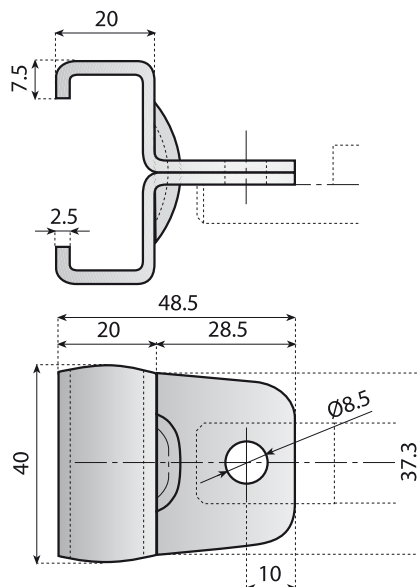
Material

SS AISI 304



n°50

This clamp can be used with all accumulation roller guide LX version example code: 16686LX



CLAMP

Code

13800

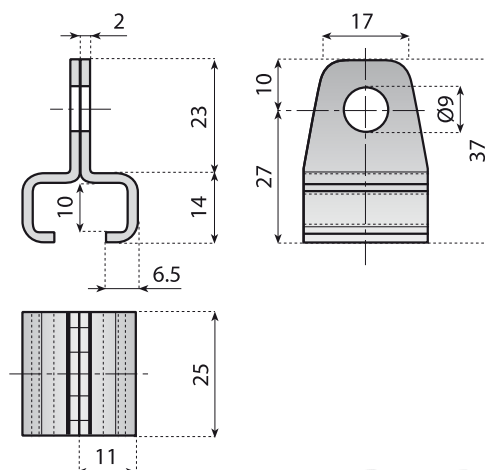
Material

SS AISI 304



n°50

This clamp can be used with all accumulation roller guide codes: 16300 - 16301 - 16302 - 16303



CLAMP

Code

13833

Material

SS AISI 304



n°50

This clamp can be used with intermediary roller guide codes: 16150 - 16153 - 16156 16160 - 16163 - 16166

Accessories for accumulation roller guide

 Preferred type, readily available (codes marked in red)



AISI 304
Stainless steel



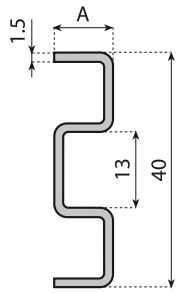
Anodized
aluminium



Using with



Zinc plated steel

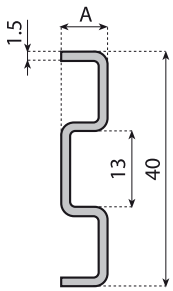


M-PROFILE

Code	A	Kg/m	L	Material
19079	10	0.82	3 m 6 m	S/S AISI 304
19079L			30 m	



These types of profile can be used with codes:
16610 - 16615 - 16810
16811 - 18815 - 16816 - 16505

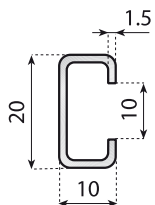


M-PROFILE

Code	A	Kg/m	L	Material
190265	8	0.74	3 m 6 m	S/S AISI 304
190265L			30 m	



These types of profile can be used with codes:
16700 - 16701 - 16702 - 16703
16760 - 16761 - 1675016730
16751 - 16731 - 16850 - 16880
16851 - 16881 16860 - 16865
16861 - 16866

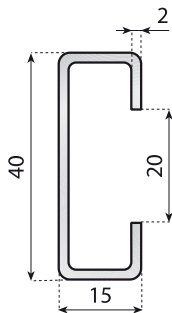


C-PROFILE

Code	Kg/m	L	Material
16450	0.40	3 m	S/S AISI 304
16449		30 m	Zinc plated steel



These types of profile can be used with codes:
16351 - 16352 - 16353
165451 - 16452 - 16453

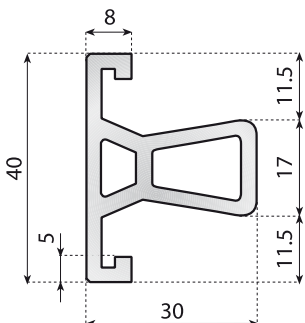


C-PROFILE

Code	Kg/m	L	Material
16456	1.35	3 m	S/S AISI 304
16457		30 m	Zinc plated steel



These types of profile can be used with codes:
16305

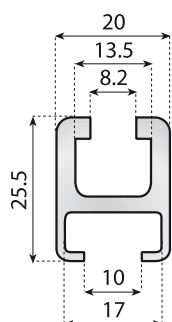


ALUMINIUM PROFILE

Code	Kg/m	L	Material
19095	1.10	3 m 6 m	Anodized aluminium
19095L		30 m	



These types of profile can be used with codes:
16600 - 16605 - 16800
16801 - 16805 - 16806 - 16500

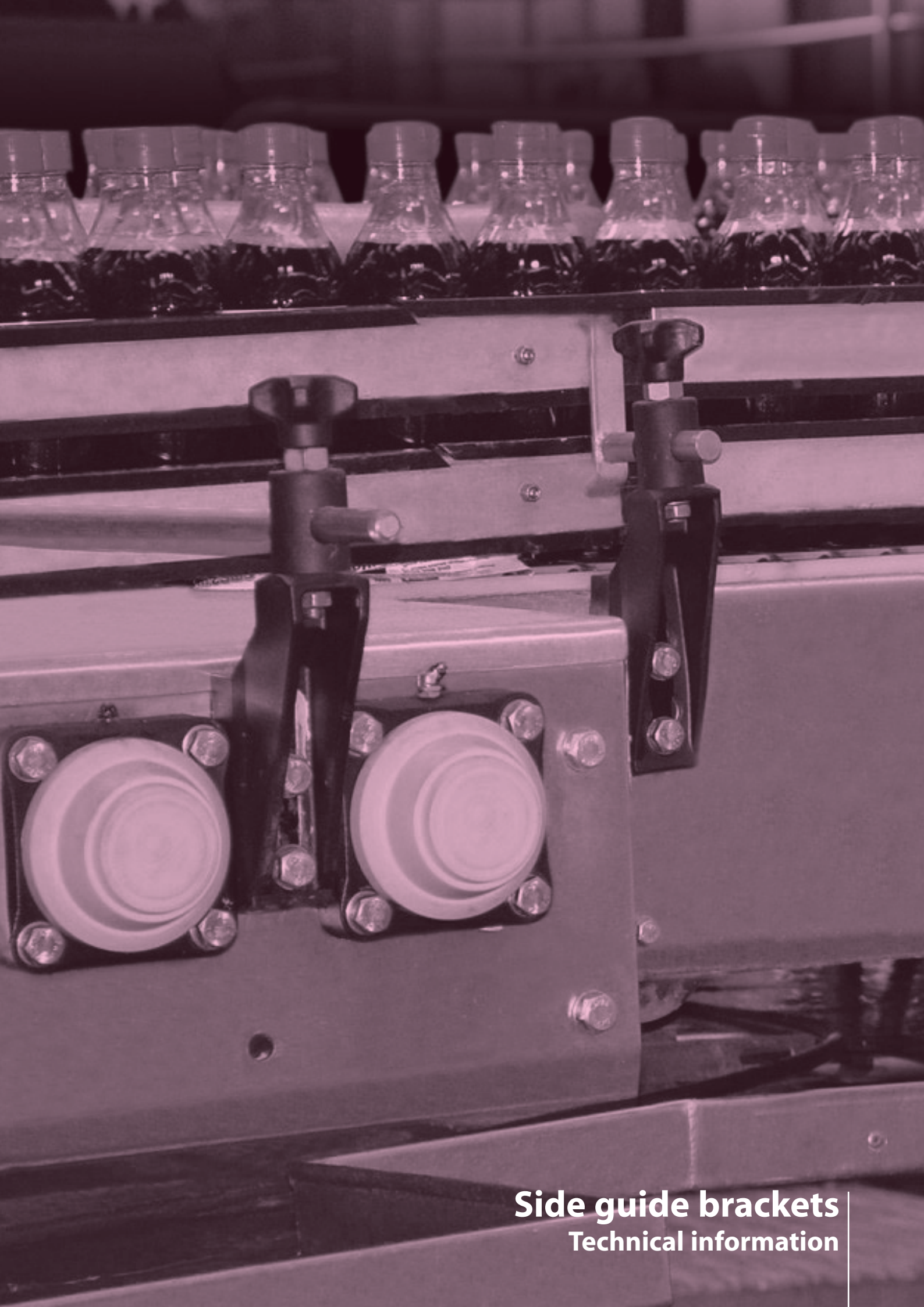


ALUMINIUM PROFILE

Code	Kg/m	L	Material
19096	0.60	3 m 6 m	Anodized aluminium
19096L		30 m	



These types of profile can be used with codes:
16351 - 16352 - 16353
16451 - 16452 - 16453

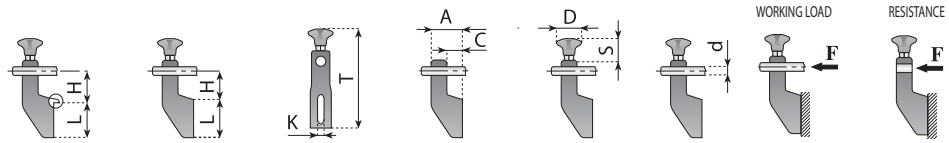


Side guide brackets
Technical information

Guide for side bracket selection

Technical information

SIDE BRACKETS WITH EYEBOLT



CATALOG

Code	L	H	L	H	K	T	A	C	D	S	ROD	N (Newton)	N (Newton)	Page
13692	71	65.5	-	-	9	195	62.5	35	50	45	Ø 12	2000	4000	211
13696	71	65.5	-	-	10.5	195	62.5	35	50	45	Ø 12	2000	4000	211
13853	71	65.5	-	-	9	196	62.5	35	50	42	Ø 12	2000	4000	210
13855	71	65.5	-	-	10.5	196	62.5	35	50	42	Ø 12	2000	4000	210
13858	71	65.5	-	-	9	188	62.5	35	50	34	Ø 12	2000	4000	210
13860	71	65.5	-	-	10.5	188	62.5	35	50	34	Ø 12	2000	4000	210
13863	71	65.5	-	-	9	212	62.5	35	50	58	Ø 12	2000	4000	211
13865	71	65.5	-	-	10.5	212	62.5	35	50	58	Ø 12	2000	4000	211
13632	71	65.5	-	-	9	172	62.5	35	NUT	NUT	Ø 12	2000	4000	210
13634	71	65.5	-	-	10.5	172	62.5	35	NUT	NUT	Ø 12	2000	4000	210
13208	71	65.5	-	-	10.5	198	62.5	35	65	44	Ø 12	2000	4000	211
13268	71	65.5	-	-	9	198	62.5	35	65	44	Ø 12	2000	4000	211
13693	71	65.5	-	-	9	195	62.5	35	50	45	Ø 14	3000	4000	211
13697	71	65.5	-	-	10.5	195	62.5	35	50	45	Ø 14	3000	4000	211
13854	71	65.5	-	-	9	196	62.5	35	50	42	Ø 14	3000	4000	210
13856	71	65.5	-	-	10.5	196	62.5	35	50	42	Ø 14	3000	4000	210
13859	71	65.5	-	-	9	188	62.5	35	50	34	Ø 14	3000	4000	210
13861	71	65.5	-	-	10.5	188	62.5	35	50	34	Ø 14	3000	4000	210
13864	71	65.5	-	-	9	212	62.5	35	50	58	Ø 14	3000	4000	211
13866	71	65.5	-	-	10.5	212	62.5	35	50	58	Ø 14	3000	4000	211
13633	71	65.5	-	-	9	172	62.5	35	NUT	NUT	Ø 14	3000	4000	211
13635	71	65.5	-	-	10.5	172	62.5	35	NUT	NUT	Ø 14	3000	4000	210
13209	71	65.5	-	-	10.5	198	62.5	35	65	44	Ø 14	3000	4000	211
13269	71	65.5	-	-	9	198	62.5	35	65	44	Ø 14	3000	4000	211
13769	71	65.5	-	-	10.5	195	62.5	35	50	45	Ø 14	3000	4000	211
13857	71	65.5	-	-	10.5	196	62.5	35	65	42	Ø 14	3000	4000	210
13862	71	65.5	-	-	10.5	188	62.5	35	65	34	Ø 14	3000	4000	210
13867	71	65.5	-	-	10.5	212	62.5	35	50	58	Ø 16	3000	4000	211
13210	71	65.5	-	-	10.5	198	62.5	35	65	44	Ø 16	3000	4000	211

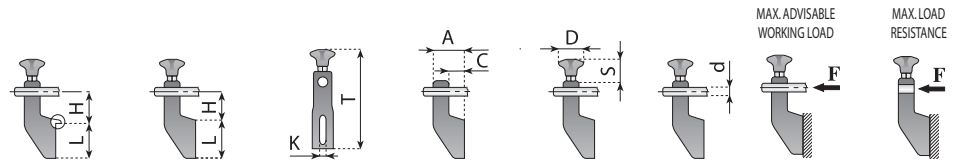


Code	L	H	L	H	K	T	A	C	D	S	ROD	N (Newton)	N (Newton)	Page
13868	-	-	100	64	9	213	60	30	50	34	Ø 12	2200	4500	212
13871	-	-	100	64	10.5	213	60	30	50	34	Ø 12	2200	4500	212
13639	-	-	100	64	9	220	60	30	50	45	Ø 12	2200	4500	212
13641	-	-	100	64	10.5	220	60	30	50	45	Ø 12	2200	4500	212
13213	-	-	100	64	9	237	60	30	50	58	Ø 12	2200	4500	212
13215	-	-	100	64	10.5	237	60	30	50	58	Ø 12	2200	4500	212
13869	-	-	100	64	9	213	60	30	50	34	Ø 14	3200	4500	212
13872	-	-	100	64	10.5	213	60	30	50	34	Ø 14	3200	4500	212
13640	-	-	100	64	9	220	60	30	50	45	Ø 14	3200	4500	212
13642	-	-	100	64	10.5	220	60	30	50	45	Ø 14	3200	4500	212
13214	-	-	100	64	9	237	60	30	50	58	Ø 14	3200	4500	212
13216	-	-	100	64	10.5	237	60	30	50	58	Ø 14	3200	4500	212
13870	-	-	100	64	9	213	60	30	50	34	Ø 16	3400	4500	212
13873	-	-	100	64	10.5	213	60	30	50	34	Ø 16	3400	4500	212
13647	-	-	100	64	9	220	60	30	50	45	Ø 16	3400	4500	212
13648	-	-	100	64	10.5	220	60	30	50	45	Ø 16	3400	4500	212
13227	-	-	100	64	9	237	60	30	50	58	Ø 16	3400	4500	212
13228	-	-	100	64	10.5	237	60	30	50	58	Ø 16	3400	4500	212
13874	98	66	-	-	9	213	60	30	50	34	Ø 12	2200	4500	212
13877	98	66	-	-	10.5	213	60	30	50	34	Ø 12	2200	4500	212
13643	98	66	-	-	9	220	60	30	50	45	Ø 12	2200	4500	212
13645	98	66	-	-	10.5	220	60	30	50	45	Ø 12	2200	4500	212
13217	98	66	-	-	9	237	60	30	50	58	Ø 12	2200	4500	212
13219	98	66	-	-	10.5	237	60	30	50	58	Ø 12	2200	4500	212
13875	98	66	-	-	9	213	60	30	50	34	Ø 14	3200	4500	212
13878	98	66	-	-	10.5	213	60	30	50	34	Ø 14	3200	4500	212
13644	98	66	-	-	9	220	60	30	50	45	Ø 14	3200	4500	212
13646	98	66	-	-	10.5	220	60	30	50	45	Ø 14	3200	4500	212
13218	98	66	-	-	9	237	60	30	50	58	Ø 14	3200	4500	212
13220	98	66	-	-	10.5	237	60	30	50	58	Ø 14	3200	4500	212
13876	98	66	-	-	9	213	60	30	50	34	Ø 16	3400	4500	212
13879	98	66	-	-	10.5	213	60	30	50	34	Ø 16	3400	4500	212
13649	98	66	-	-	9	220	60	30	50	45	Ø 16	3400	4500	212
13650	98	66	-	-	10.5	220	60	30	50	45	Ø 16	3400	4500	212
13229	98	66	-	-	9	237	60	30	50	58	Ø 16	3400	4500	212
13230	98	66	-	-	10.5	237	60	30	50	58	Ø 16	3400	4500	212

Guide for side bracket selection

Technical information

SIDE BRACKETS WITH EYEBOLT



CATALOG

Code	L	H	L	H	K	T	A	C	D	S	ROD	N (Newton)	N (Newton)	Page
13880	-	-	100	87	9	242	79	30	50	34	Ø 12	2000	5000	213
13883	-	-	100	87	10.5	242	79	30	50	34	Ø 12	2000	5000	213
13326	-	-	100	87	9	249	79	30	50	45	Ø 12	2000	5000	213
13332	-	-	100	87	10.5	249	79	30	50	45	Ø 12	2000	5000	213
13221	-	-	100	87	9	268	79	30	50	58	Ø 12	2000	5000	213
13224	-	-	100	87	10.5	268	79	30	50	58	Ø 12	2000	5000	213
13881	-	-	100	87	9	242	79	30	50	34	Ø 14	3000	5000	213
13884	-	-	100	87	10.5	242	79	30	50	34	Ø 14	3000	5000	213
13327	-	-	100	87	9	249	79	30	50	45	Ø 14	3000	5000	213
13333	-	-	100	87	10.5	249	79	30	50	45	Ø 14	3000	5000	213
13222	-	-	100	87	9	268	79	30	50	58	Ø 14	3000	5000	213
13225	-	-	100	87	10.5	268	79	30	50	58	Ø 14	3000	5000	213
13882	-	-	100	87	9	242	79	30	50	34	Ø 16	3200	5000	213
13885	-	-	100	87	10.5	242	79	30	50	34	Ø 16	3200	5000	213
13328	-	-	100	87	9	249	79	30	50	45	Ø 16	3200	5000	213
13334	-	-	100	87	10.5	249	79	30	50	45	Ø 16	3200	5000	213
13223	-	-	100	87	9	268	79	30	50	58	Ø 16	3200	5000	213
13226	-	-	100	87	10.5	268	79	30	50	58	Ø 16	3200	5000	213



Code	L	H	L	H	K	T	A	C	D	S	ROD	N (Newton)	N (Newton)	Page
13211	45	65	-	-	10.5	171	60	30	50	45	Ø 12	2000	3000	209
13212	45	65	-	-	10.5	171	60	30	50	45	Ø 14	2000	3000	209
13764	75	35	-	-	9	164	62	27	50	45	Ø 12	2800	4500	209
13765	75	35	-	-	9	164	62	27	50	45	Ø 14	2800	4500	209
13851	75	35	-	-	9	157	62	27	50	34	Ø 12	2800	4500	209
13852	75	35	-	-	9	157	62	27	50	34	Ø 14	2800	4500	209



Code	L	H	L	H	K	T	A	C	D	S	ROD	N (Newton)	N (Newton)	Page
13895	-	-	112	77	10.5	252	80	30	50	32	Ø 12	2800	14000	224
13896	-	-	112	77	10.5	252	80	30	50	32	Ø 14	3600	14000	224
13897	-	-	112	77	10.5	252	80	30	50	32	Ø 16	3600	14000	224
13050	-	-	112	77	10.5	258	80	30	50	43	Ø 12	2800	14000	224
13051	-	-	112	77	10.5	258	80	30	50	43	Ø 14	3600	14000	224
13052	-	-	112	77	10.5	258	80	30	50	43	Ø 16	3600	14000	224
13205	-	-	102	115	9	286	79	35	50	56	Ø 12	3000	12000	224
13206	-	-	102	115	9	286	79	35	50	56	Ø 14	4000	12000	224
13207	-	-	102	115	9	286	79	35	50	56	Ø 16	4000	12000	224

BRACKETS WITH ECCENTRIC LEVER

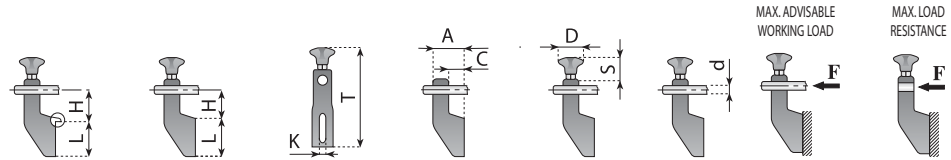


Code	L	H	L	H	K	T	A	C	D	S	ROD	N (Newton)	N (Newton)	Page
13767	-	-	57	85	9	160	62	22	-	18	Ø 12	800	3000	208
13200	-	-	75	85	9	178	62	22	-	18	Ø 12	800	3000	208
13768	-	-	57	85	9	160	62	22	-	18	Ø 14	800	3000	208
13201	-	-	75	85	9	178	62	22	-	18	Ø 14	800	3000	208

Code	L	H	L	H	K	T	A	C	D	S	ROD	N (Newton)	N (Newton)	Page
13760	-	-	150	68	9	240	66	35	-	-	Ø 15	700	2800	208

Guide for side bracket selection - Technical information

ADJUSTABLE BRACKETS



CATALOG

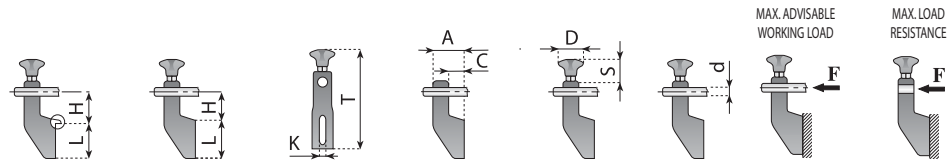
Code	L	H	L	H	K	T	A	C	D	S	ROD	N (Newton)	N (Newton)	Page
13271	-	-	109	67	10.5	201	65	27	-	-	Ø 12	2200	7500	216
13272	-	-	109	67	10.5	201	65	27	-	-	Ø 14	3000	7500	216
13273	-	-	109	67	10.5	201	65	27	-	-	Ø 16	3000	7500	216
131055	-	-	109	67	8.5	201	65	27	-	-	Ø 12	2200	7500	216
131056	-	-	109	67	8.5	201	65	27	-	-	Ø 14	3000	7500	216
131057	-	-	109	67	8.5	201	65	27	-	-	Ø 16	3000	7500	216
131030	-	-	109	67	8.5	201	82	44	-	-	Ø 12	2200	7500	214
131031	-	-	109	67	8.5	201	82	44	-	-	Ø 14	3000	7500	214
131032	-	-	109	67	8.5	201	82	44	-	-	Ø 16	3000	7500	214
13021	-	-	109	67	10.5	201	82	44	-	-	Ø 12	2200	7500	214
13088	-	-	109	67	10.5	201	82	44	-	-	Ø 14	3000	7500	214
13089	-	-	109	67	10.5	201	82	44	-	-	Ø 16	3000	7500	214
13530	-	-	100	70	10.5	194	85	43	-	-	Ø 12	2200	7500	218
13531	-	-	100	70	10.5	194	85	43	-	-	Ø 14	3000	7500	218
13532	-	-	100	70	10.5	194	85	43	-	-	Ø 16	3000	7500	218
13041	71	69	-	-	10.5	164	71	31	-	-	Ø 12	2200	8500	222
13042	71	69	-	-	10.5	164	71	31	-	-	Ø 14	3000	8500	222
13043	71	69	-	-	10.5	164	71	31	-	-	Ø 16	3000	8500	222
13580	95	75	-	-	10.5	194	85	43	-	-	Ø 12	2200	7500	220
13581	95	75	-	-	10.5	194	85	43	-	-	Ø 14	3000	7500	220
13582	95	75	-	-	10.5	194	85	43	-	-	Ø 16	3000	7500	220

Code	L	H	L	H	K	T	A	C	D	S	ROD	N (Newton)	N (Newton)	Page
13274	-	-	109	85	10.5	218	65	27	-	-	Ø 12	2200	7500	216
13275	-	-	109	85	10.5	218	65	27	-	-	Ø 14	3000	7500	216
13276	-	-	109	85	10.5	218	65	27	-	-	Ø 16	3000	7500	216
131058	-	-	109	85	8.5	218	65	27	-	-	Ø 12	2200	7500	216
131059	-	-	109	85	8.5	218	65	27	-	-	Ø 14	3000	7500	216
131060	-	-	109	85	8.5	218	65	27	-	-	Ø 16	3000	7500	216
131033	-	-	109	85	8.5	218	82	44	-	-	Ø 12	2200	7500	214
131034	-	-	109	85	8.5	218	82	44	-	-	Ø 14	3000	7500	214
131035	-	-	109	85	8.5	218	82	44	-	-	Ø 16	3000	7500	214
13847	-	-	109	85	10.5	218	82	44	-	-	Ø 12	2200	7500	214
13848	-	-	109	85	10.5	218	82	44	-	-	Ø 14	3000	7500	214
13849	-	-	109	85	10.5	218	82	44	-	-	Ø 16	3000	7500	214
13533	-	-	100	87	10.5	212	85	43	-	-	Ø 12	2200	7500	208
13534	-	-	100	87	10.5	212	85	43	-	-	Ø 14	3000	7500	208
13535	-	-	100	87	10.5	212	85	43	-	-	Ø 16	3000	7500	208
13889	71	87	-	-	10.5	182	71	31	-	-	Ø 12	2200	8500	222
13890	71	87	-	-	10.5	182	71	31	-	-	Ø 14	3000	8500	222
13891	71	87	-	-	10.5	182	71	31	-	-	Ø 16	3000	8500	222
13583	95	92.5	-	-	10.5	212	85	43	-	-	Ø 12	2200	7500	220
13584	95	92.5	-	-	10.5	212	85	43	-	-	Ø 14	3000	7500	220
13585	95	92.5	-	-	10.5	212	85	43	-	-	Ø 16	3000	7500	220

Code	L	H	L	H	K	T	A	C	D	S	ROD	N (Newton)	N (Newton)	Page
13277	-	-	109	67	10.5	240	65	27	50	42	Ø 12	2600	7500	217
13278	-	-	109	67	10.5	240	65	27	50	42	Ø 14	3500	7500	217
13279	-	-	109	67	10.5	240	65	27	50	42	Ø 16	3500	7500	217
131061	-	-	109	67	8.5	240	65	27	50	42	Ø 12	2600	7500	217
131062	-	-	109	67	8.5	240	65	27	50	42	Ø 14	3500	7500	217
131063	-	-	109	67	8.5	240	65	27	50	42	Ø 16	3500	7500	217
131036	-	-	109	67	8.5	240	82	44	50	42	Ø 12	2600	7500	215
131037	-	-	109	67	8.5	240	82	44	50	42	Ø 14	3500	7500	215
131038	-	-	109	67	8.5	240	82	44	50	42	Ø 16	3500	7500	215
13054	-	-	109	67	10.5	240	82	44	50	42	Ø 12	2600	7500	215
13055	-	-	109	67	10.5	240	82	44	50	42	Ø 14	3500	7500	215
13056	-	-	109	67	10.5	240	82	44	50	42	Ø 16	3500	7500	215
13536	-	-	100	70	10.5	234	85	43	50	42	Ø 12	2600	7500	219
13537	-	-	100	70	10.5	234	85	43	50	42	Ø 14	3500	7500	219
13538	-	-	100	70	10.5	234	85	43	50	42	Ø 16	3500	7500	219
13044	71	69	-	-	10.5	204	71	31	50	42	Ø 12	2600	8500	223
13045	71	69	-	-	10.5	204	71	31	50	42	Ø 14	3500	8500	223
13046	71	69	-	-	10.5	204	71	31	50	42	Ø 16	3500	8500	223
13586	95	75	-	-	10.5	234	85	43	50	42	Ø 12	2600	7500	221
13587	95	75	-	-	10.5	234	85	43	50	42	Ø 14	3500	7500	221
13588	95	75	-	-	10.5	234	85	43	50	42	Ø 16	3500	7500	221

Guide for side bracket selection - Technical information

ADJUSTABLE BRACKETS



CATALOG

Code	L	H	L	H	K	T	A	C	D	S	ROD	N (Newton)	N (Newton)	Page
13280	-	-	109	85	10.5	258	65	27	50	42	Ø 12	2600	7500	217
13281	-	-	109	85	10.5	258	65	27	50	42	Ø 14	3500	7500	217
13282	-	-	109	85	10.5	258	65	27	50	42	Ø 16	3500	7500	217
131064	-	-	109	85	8.5	258	65	27	50	42	Ø 12	2600	7500	217
131065	-	-	109	85	8.5	258	65	27	50	42	Ø 14	3500	7500	217
131066	-	-	109	85	8.5	258	65	27	50	42	Ø 16	3500	7500	217
131039	-	-	109	85	8.5	258	82	44	50	42	Ø 12	2600	7500	215
131040	-	-	109	85	8.5	258	82	44	50	42	Ø 14	3500	7500	215
131041	-	-	109	85	8.5	258	82	44	50	42	Ø 16	3500	7500	215
13886	-	-	109	85	10.5	258	82	44	50	42	Ø 12	2600	7500	215
13887	-	-	109	85	10.5	258	82	44	50	42	Ø 14	3500	7500	215
13888	-	-	109	85	10.5	258	82	44	50	42	Ø 16	3500	7500	215
13539	-	-	100	87	10.5	234	85	43	50	42	Ø 12	2600	7500	219
13540	-	-	100	87	10.5	234	85	43	50	42	Ø 14	3500	7500	219
13541	-	-	100	87	10.5	234	85	43	50	42	Ø 16	3500	7500	219
13892	71	69	-	-	10.5	204	71	31	50	42	Ø 12	2600	8500	223
13893	71	69	-	-	10.5	204	71	31	50	42	Ø 14	3500	8500	223
13894	71	69	-	-	10.5	204	71	31	50	42	Ø 16	3500	8500	223
13589	95	75	-	-	10.5	234	85	43	50	42	Ø 12	2600	7500	221
13590	95	75	-	-	10.5	234	85	43	50	42	Ø 14	3500	7500	221
13591	95	75	-	-	10.5	234	85	43	50	42	Ø 16	3500	7500	221



Code	With knob	With screw	L	H	L	H	K	T	A	C	D	S	ROD	N (Newton)	N (Newton)	Page
131067	131070	-	-	109	69	8.5	235	65	27	50	42	Ø 12	5000	7500	217	
131073	131076	-	-	109	69	8.5	235	65	27	50	42	Ø 12	5000	7500	217	
131068	131071	-	-	109	69	8.5	235	65	27	50	42	Ø 14	6000	7500	217	
131074	131077	-	-	109	69	8.5	235	65	27	50	42	Ø 14	6000	7500	217	
131069	131072	-	-	109	69	8.5	235	65	27	50	42	Ø 16	6000	7500	217	
131075	131078	-	-	109	69	8.5	235	65	27	50	42	Ø 16	6000	7500	217	
13283	13289	-	-	109	69	10.5	235	65	27	50	42	Ø 12	5000	7500	217	
13286	13292	-	-	109	69	10.5	235	65	27	50	42	Ø 12	5000	7500	217	
13284	13290	-	-	109	69	10.5	235	65	27	50	42	Ø 14	6000	7500	217	
13287	13293	-	-	109	69	10.5	235	65	27	50	42	Ø 14	6000	7500	217	
13285	13291	-	-	109	69	10.5	235	65	27	50	42	Ø 16	6000	7500	217	
13288	13294	-	-	109	69	10.5	235	65	27	50	42	Ø 16	6000	7500	217	
131042	131045	-	-	109	69	8.5	235	82	44	50	42	Ø 12	5000	7500	215	
131048	131051	-	-	109	69	8.5	235	82	44	50	42	Ø 12	5000	7500	215	
131043	131046	-	-	109	69	8.5	235	82	44	50	42	Ø 14	6000	7500	215	
131049	131052	-	-	109	69	8.5	235	82	44	50	42	Ø 14	6000	7500	215	
131044	131047	-	-	109	69	8.5	235	82	44	50	42	Ø 16	6000	7500	215	
131050	131053	-	-	109	69	8.5	235	82	44	50	42	Ø 16	6000	7500	215	
13749	13746	-	-	109	69	10.5	235	82	44	50	42	Ø 12	5000	7500	215	
13025	13022	-	-	109	69	10.5	235	82	44	50	42	Ø 12	5000	7500	215	
13750	13747	-	-	109	69	10.5	235	82	44	50	42	Ø 14	6000	7500	215	
13026	13023	-	-	109	69	10.5	235	82	44	50	42	Ø 14	6000	7500	215	
13751	13748	-	-	109	69	10.5	235	82	44	50	42	Ø 16	6000	7500	215	
13027	13024	-	-	109	69	10.5	235	82	44	50	42	Ø 16	6000	7500	215	
13542	-	-	-	100	72	10.5	229	85	43	50	42	Ø 12	5000	7500	219	
13545	-	-	-	100	72	10.5	229	85	43	50	42	Ø 12	5000	7500	219	
13543	-	-	-	100	72	10.5	229	85	43	50	42	Ø 14	6000	7500	219	
13546	-	-	-	100	72	10.5	229	85	43	50	42	Ø 14	6000	7500	219	
13544	-	-	-	100	72	10.5	229	85	43	50	42	Ø 16	6000	7500	219	
13547	-	-	-	100	72	10.5	229	85	43	50	42	Ø 16	6000	7500	219	
13100	-	71	69	-	-	10.5	199	71	31	50	42	Ø 12	5000	8500	223	
13047	-	71	69	-	-	10.5	199	71	31	50	42	Ø 12	5000	8500	223	
13101	-	71	69	-	-	10.5	199	71	31	50	42	Ø 14	6000	8500	223	
13048	-	71	69	-	-	10.5	199	71	31	50	42	Ø 14	6000	8500	223	
13102	-	71	69	-	-	10.5	199	71	31	50	42	Ø 16	6000	8500	223	
13049	-	71	69	-	-	10.5	199	71	31	50	42	Ø 16	6000	8500	223	
13592	-	95	77	-	-	10.5	229	85	43	50	42	Ø 12	5000	7500	221	
13595	-	95	77	-	-	10.5	229	85	43	50	42	Ø 12	5000	7500	221	
13593	-	95	77	-	-	10.5	229	85	43	50	42	Ø 14	6000	7500	221	
13596	-	95	77	-	-	10.5	229	85	43	50	42	Ø 14	6000	7500	221	
13594	-	95	77	-	-	10.5	229	85	43	50	42	Ø 16	6000	7500	221	
13597	-	95	77	-	-	10.5	229	85	43	50	42	Ø 16	6000	7500	221	

Guide for side bracket selection

Technical information

BRACKETS

MAX. LOAD
RESISTANCE



CATALOG



Code	Newton	Page
131015	7500	214
13020		



Code	Newton	Page
131054	7500	216
13270		



Code	Newton	Page
13185	7500	218



Code	Newton	Page
13057	9900	226



Code	Newton	Page
13900	14750	226



Code	Newton	Page
13249	6000	225

BRACKETS

MAX. LOAD
RESISTANCE



CATALOG



Code	Newton	Page
13040	8500	222



Code	Newton	Page
13186	7500	220



Code	Newton	Page
13898	7500	225



Code	Newton	Page
13930		
13931	9900	226
13932		



Code	Newton	Page
13251	7500	225



Side guide brackets

Side guide brackets

 Preferred type, readily available (codes marked in red)

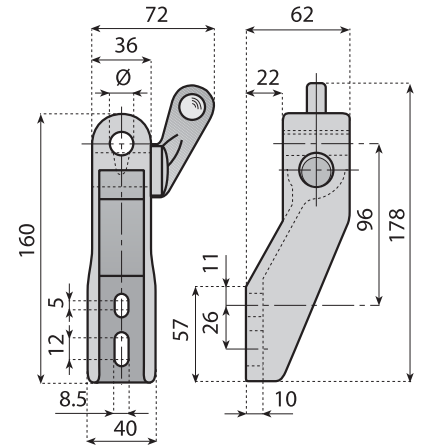


Reinforced polyamide



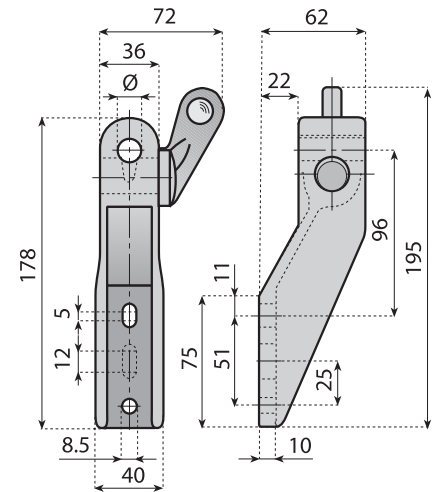
BRACKET WITH ECCENTRIC LEVER

Code	For rod Ø (mm)		Material
13767	12	n°50	PA-FG
13768	14		



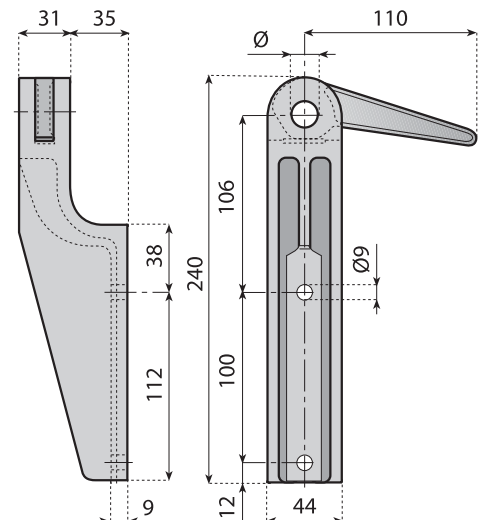
BRACKET WITH ECCENTRIC LEVER

Code	For rod Ø (mm)		Material
13200	12	n°50	PA-FG
13201	14		



BRACKET WITH ECCENTRIC LEVER

Code	For rod Ø (mm)		Material
13760	15	n°50	PA-FG



Side guide brackets

Preferred type, readily available (codes marked in red)



AISI 304
Stainless steel



Nickel plated brass



Reinforced polyamide

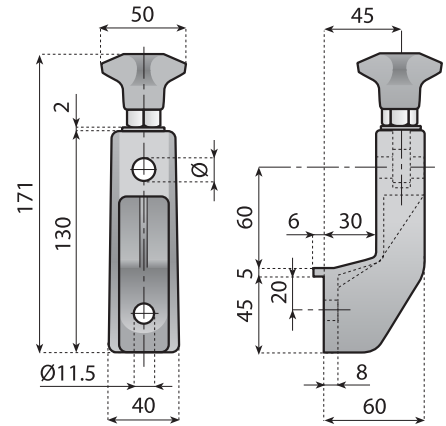


BRACKET WITH EYEBOLT AND KNOB

Material: reinforced polyamide, eyebolt and washer in stainless steel AISI 304, knob in polyamide with nickel plated brass insert.

Note: max recommended tightening torque 4 Kgm.

Code	For rod Ø (mm)	
13211	12	n°50
13212	14	

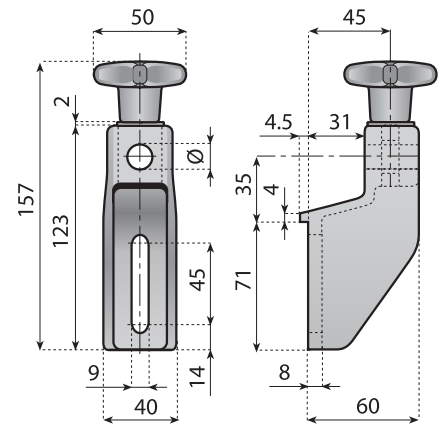


BRACKET WITH EYEBOLT AND KNOB

Material: reinforced polyamide, eyebolt and washer in stainless steel AISI 304, knob in polyamide with nickel plated brass insert.

Note: max recommended tightening torque 4 Kgm.

Code	For rod Ø (mm)	
13851	12	n°50
13852	14	

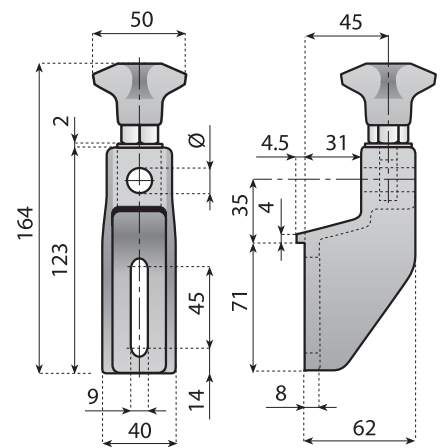


BRACKET WITH EYEBOLT AND KNOB

Material: reinforced polyamide, eyebolt and washer in stainless steel AISI 304, knob in polyamide with nickel plated brass insert.

Note: max recommended tightening torque 4 Kgm.

Code	For rod Ø (mm)	
13764	12	n°50
13765	14	



Side guide brackets

 Preferred type, readily available (codes marked in red)



AISI 304
Stainless steel



Nickel plated brass



Reinforced polyamide

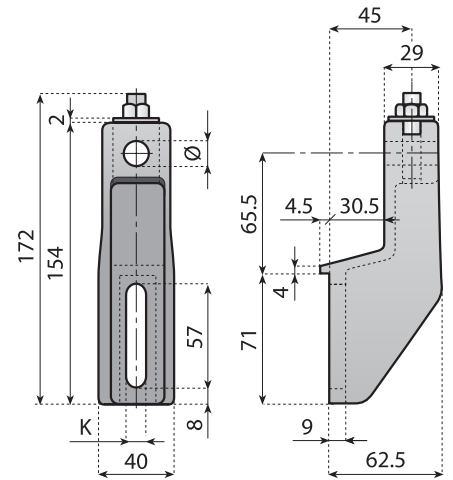


BRACKET WITH EYEBOLT

Material: reinforced polyamide, eyebolt and washer in stainless steel AISI 304, nut in nickel plated brass.

Note: max recommended tightening torque 4 Kgm.


Code	For rod Ø (mm)	K	
13632	12	9	n°50
13633	14	9	n°50
13634	12	10.5	n°50
13635	14	10.5	n°50

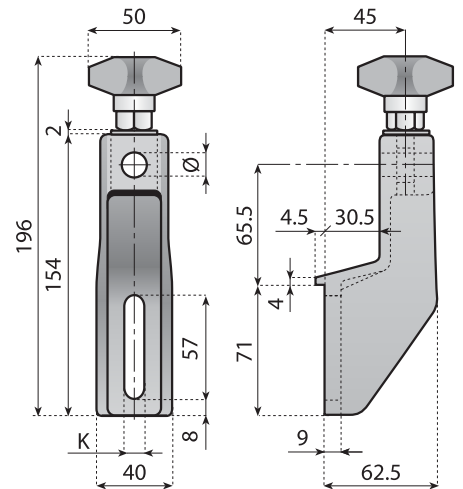


BRACKET WITH EYEBOLT AND KNOB

Material: reinforced polyamide, eyebolt and washer in stainless steel AISI 304, knob in polyamide with nickel plated brass insert.

Note: max recommended tightening torque 4 Kgm.


Code	For rod Ø (mm)	K	
13853	12	9	n°50
13854	14	9	n°50
13855	12	10.5	n°50
13856	14	10.5	n°50
13857	16	10.5	n°50

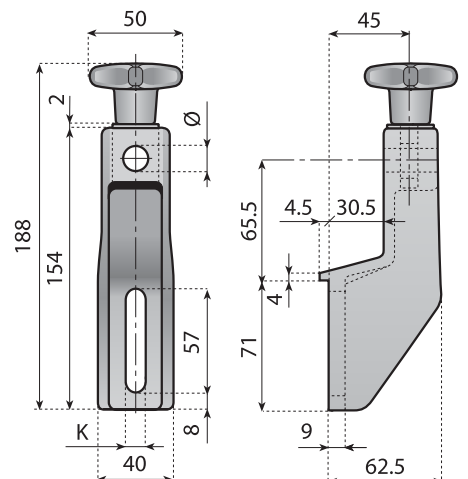


BRACKET WITH EYEBOLT AND KNOB

Material: reinforced polyamide, eyebolt and washer in stainless steel AISI 304, knob in polyamide with nickel plated brass insert.

Note: max recommended tightening torque 4 Kgm.

Code	For rod Ø (mm)	K	
13858	12	9	n°50
13859	14	9	n°50
13860	12	10.5	n°50
13861	14	10.5	n°50
13862	16	10.5	n°50



Side guide brackets

Preferred type, readily available (codes marked in red)



AISI 304
Stainless steel



Nickel plated brass



Reinforced polyamide

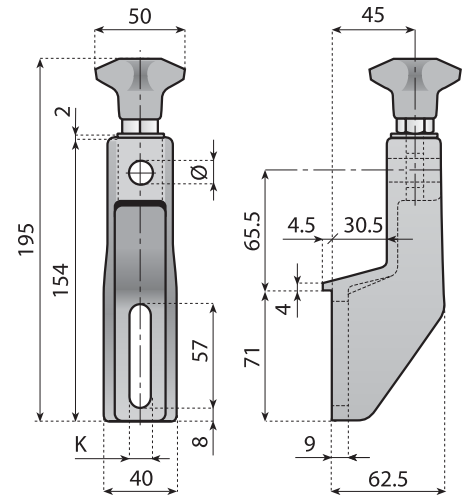


BRACKET WITH EYEBOLT AND KNOB

Material: reinforced polyamide, eyebolt and washer in stainless steel AISI 304, knob in polyamide with nickel plated brass insert.

Note: max recommended tightening torque 4 Kgm.

Code	For rod Ø (mm)	K	
13692	12	9	n°50
13693	14	9	n°50
13696	12	10.5	n°50
13697	14	10.5	n°50
13769	16	10.5	n°50

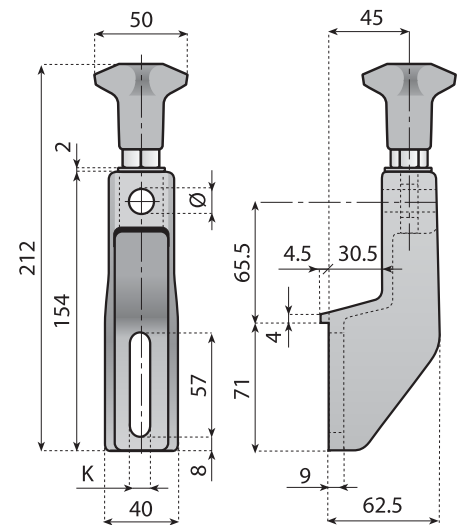


BRACKET WITH EYEBOLT AND KNOB

Material: reinforced polyamide, eyebolt and washer in stainless steel AISI 304, knob in polyamide with nickel plated brass insert.

Note: max recommended tightening torque 4 Kgm.

Code	For rod Ø (mm)	K	
13863	12	9	n°50
13864	14	9	n°50
13865	12	10.5	n°50
13866	14	10.5	n°50
13867	16	10.5	n°50

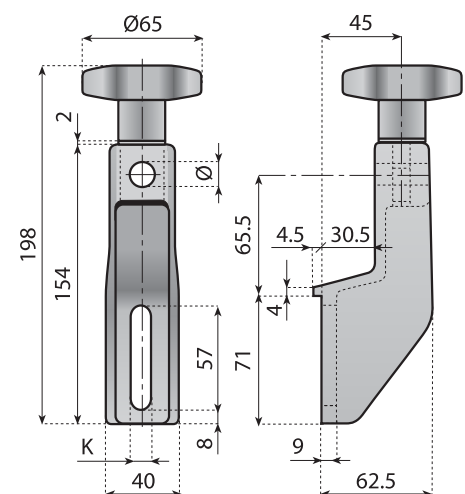


BRACKET WITH EYEBOLT AND KNOB

Material: reinforced polyamide, eyebolt and washer in stainless steel AISI 304, knob in polyamide with nickel plated brass insert.

Note: max recommended tightening torque 4 Kgm.

Code	For rod Ø (mm)	K	
13268	12	9	n°50
13269	14	9	n°50
13208	12	10.5	n°50
13209	14	10.5	n°50
13210	16	10.5	n°50



Side guide brackets

 Preferred type, readily available (codes marked in red)



AISI 304
Stainless steel



Nickel plated brass




Reinforced polyamide

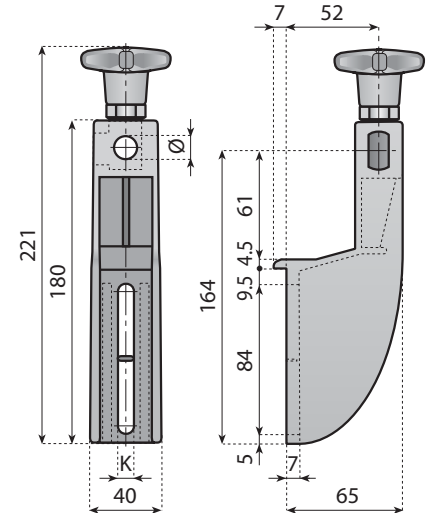
BRACKET WITH EYEBOLT AND KNOB

Material: reinforced polyamide, eyebolt and washer in stainless steel AISI 304, knob in polyamide with nickel plated brass insert.

Note: max recommended tightening torque 4 Kgm.



Code	Type	For rod Ø (mm)	K	
13639		12		
13640	Standard	14	9	n°50
13647		16		
13641		12		
13642	Standard	14	10.5	n°50
13648		16		
13643		12		
13644	With tongue	14	9	n°50
13649		16		
13645		12		
13646	With tongue	14	10.5	n°50
13650		16		




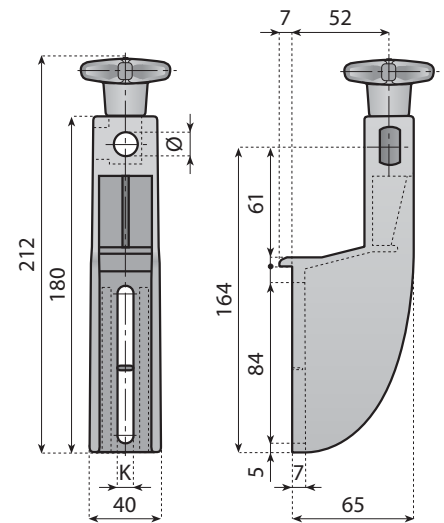
BRACKET WITH EYEBOLT AND KNOB

Material: reinforced polyamide, eyebolt and washer in stainless steel AISI 304, knob in polyamide with nickel plated brass insert.

Note: max recommended tightening torque 4 Kgm.



Code	Type	For rod Ø (mm)	K	
13868		12		
13869	Standard	14	9	n°50
13870		16		
13871		12		
13872	Standard	14	10.5	n°50
13873		16		
13874		12		
13875	With tongue	14	9	n°50
13876		16		
13877		12		
13878	With tongue	14	10.5	n°50
13879		16		




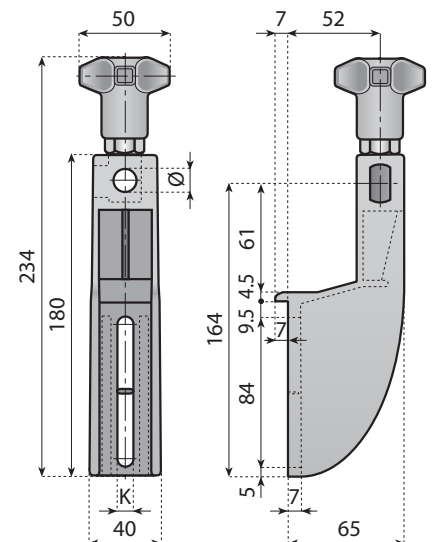
BRACKET WITH EYEBOLT AND KNOB

Material: reinforced polyamide, eyebolt and washer in stainless steel AISI 304, knob in polyamide with nickel plated brass insert.

Note: max recommended tightening torque 4 Kgm.



Code	Type	For rod Ø (mm)	K	
13213		12		
13214	Standard	14	9	n°50
13227		16		
13215		12		
13216	Standard	14	10.5	n°50
13228		16		
13217		12		
13218	With tongue	14	9	n°50
13229		16		
13219		12		
13220	With tongue	14	10.5	n°50
13230		16		



Side guide brackets

Preferred type, readily available (codes marked in red)



AISI 304
Stainless steel



Nickel plated brass



Reinforced polyamide

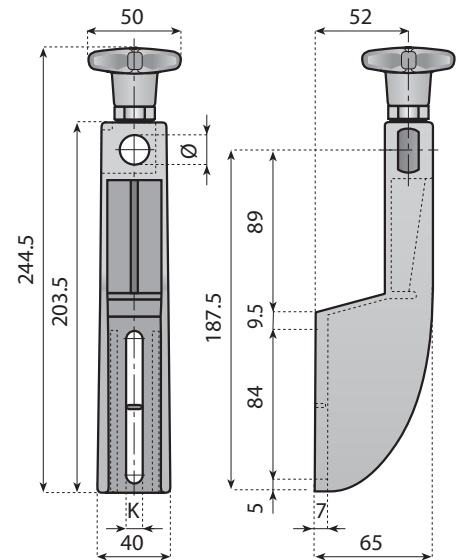


BRACKET WITH EYEBOLT AND KNOB

Material: reinforced polyamide, eyebolt and washer in stainless steel AISI 304, knob in polyamide with nickel plated brass insert.

Note: max recommended tightening torque 4 Kgm.

Code	For rod Ø (mm)	K	
13326	12		
13327	14	9	n°50
13328	16		
13332	12		
13333	14	10.5	n°50
13334	16		

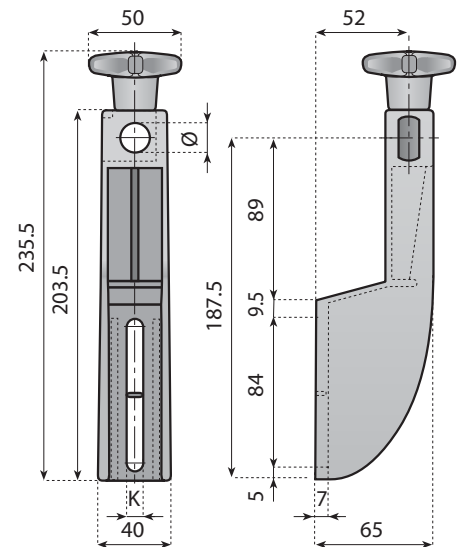


BRACKET WITH EYEBOLT AND KNOB

Material: reinforced polyamide, eyebolt and washer in stainless steel AISI 304, knob in polyamide with nickel plated brass insert.

Note: max recommended tightening torque 4 Kgm.

Code	For rod Ø (mm)	K	
13880	12		
13881	14	9	n°50
13882	16		
13883	12		
13884	14	10.5	n°50
13885	16		

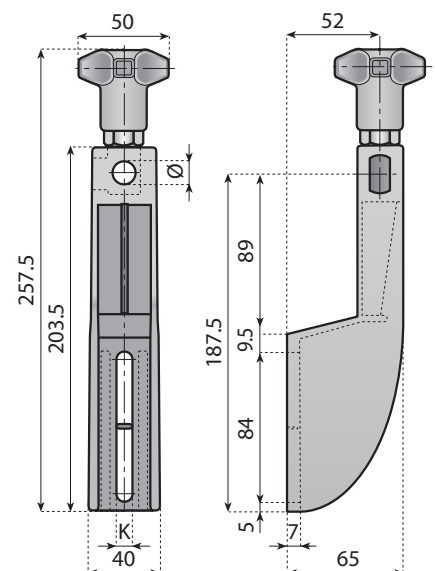


BRACKET WITH EYEBOLT AND KNOB

Material: reinforced polyamide, eyebolt and washer in stainless steel AISI 304, knob in polyamide with nickel plated brass insert.

Note: max recommended tightening torque 4 Kgm.

Code	For rod Ø (mm)	K	
13221	12		
13222	14	9	n°50
13223	16		
13224	12		
13225	14	10.5	n°50
13226	16		



Adjustable brackets

 Preferred type, readily available (codes marked in red)



AISI 304
Stainless steel





Reinforced
polyamide

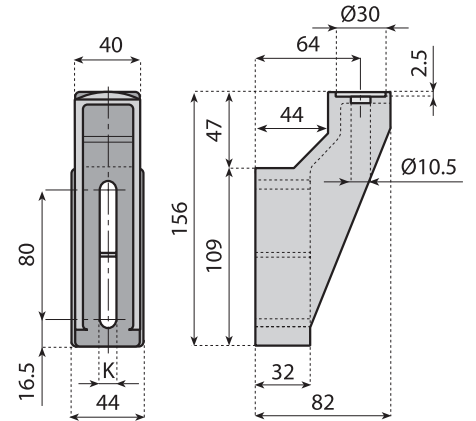


[Accessories](#)



BRACKET


Code	K		
131015	8.5	n°50	PA-FG
13020	10.5		

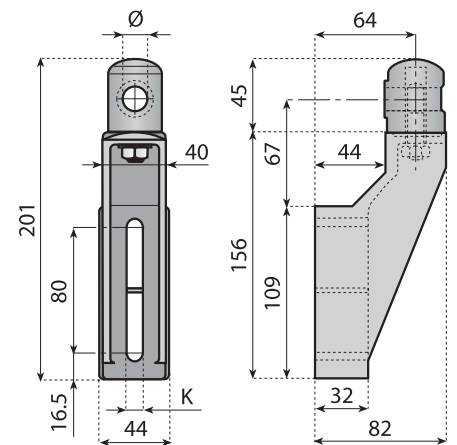


ADJUSTABLE BRACKET

Material: bracket and adjustable head in reinforced polyamide; eyebolt, nut and washer in stainless steel AISI 304.

Note: nut regulates rod position and head adjustability. Max recommended tightening torque 4 Kgm.


Code	For rod Ø (mm)	K	
131030	12		
131031	14	8.5	n°50
131032	16		
13021	12		
13088	14	10.5	n°50
13089	16		

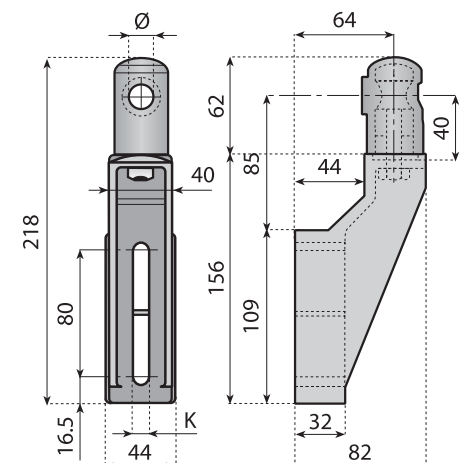


ADJUSTABLE BRACKET

Material: bracket and adjustable head in reinforced polyamide; bolt in nickel plated brass, screw and washer in stainless steel AISI 304.

Note: screw regulates rod position and head adjustability. Max recommended tightening torque 4 Kgm.

Code	For rod Ø (mm)	K	
131033	12		
131034	14	8.5	n°50
131035	16		
13847	12		
13848	14	10.5	n°50
13849	16		



Adjustable brackets

Preferred type, readily available (codes marked in red)



AISI 304
Stainless steel



Nickel plated brass



Reinforced polyamide



[Accessories](#)

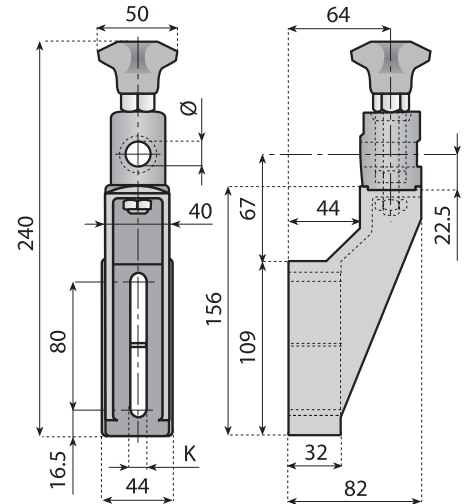
ADJUSTABLE BRACKET

Material: bracket and adjustable head in reinforced polyamide; eyebolt, nut, screws and washer in stainless steel AISI 304; knob in polyamide with nickel plated brass insert.

Note: screw regulates rod position and head adjustability. Max recommended tightening torque 4 Kgm.



Code	For rod Ø (mm)	K	
131036	12		
131037	14	8.5	n°50
131038	16		
13054	12		
13055	14	10.5	n°50
13056	16		



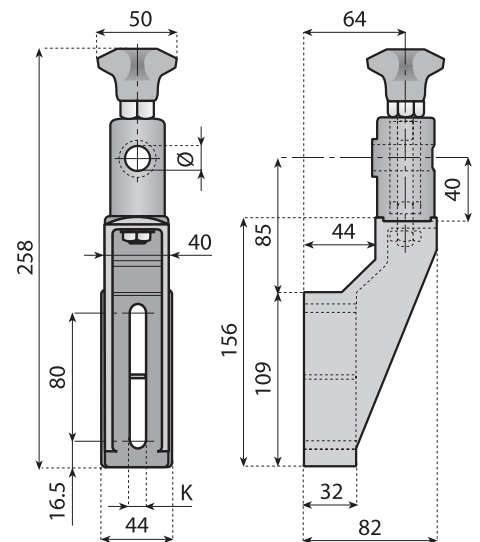
ADJUSTABLE BRACKET

Material: bracket and adjustable head in reinforced polyamide; eyebolt, nut, screws and washer in stainless steel AISI 304; knob in polyamide with nickel plated brass insert.

Note: screw regulates rod position and head adjustability. Max recommended tightening torque 4 Kgm.



Code	For rod Ø (mm)	K	
131039	12		
131040	14	8.5	n°50
131041	16		
13886	12		
13887	14	10.5	n°50
13888	16		



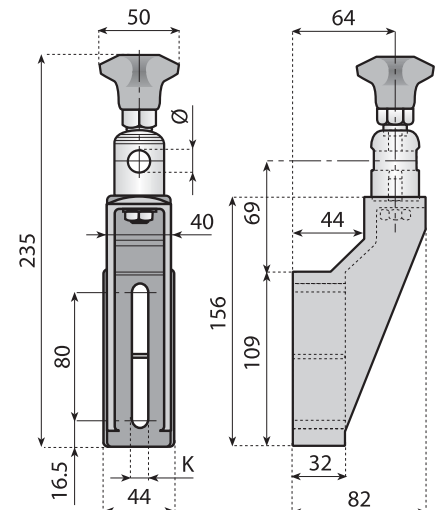
ADJUSTABLE BRACKET

Material: bracket in reinforced polyamide; screw and washer in stainless steel AISI 304; knob in polyamide with nickel plated brass insert.

Note: screw regulates rod position and head adjustability. Max recommended tightening torque 4 Kgm.



Code	Code	Head material	For rod Ø (mm)	K	
Version with star knob	Version with screw				
131042	131045	Nickel plated brass	12	8.5	n°50
131043	131046		14		
131044	131047		16		
131048	131051	Stainless steel AISI 304	12	8.5	n°50
131049	131052		14		
131050	131053		16		
13749	13746	Nickel plated brass	12	10.5	n°50
13750	13747		14		
13751	13748		16		
13025	13022	Stainless steel AISI 304	12	10.5	n°50
13026	13023		14		
13027	13024		16		



Adjustable brackets

 Preferred type, readily available (codes marked in red)



AISI 304
Stainless steel



Nickel plated brass



Reinforced polyamide



[Accessories](#)



BRACKET

Code

131054
13270

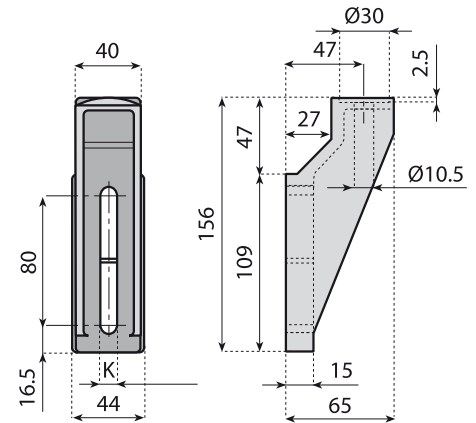
K

8.5
10.5



Material

n°50 PA-FG



ADJUSTABLE BRACKET

Material: bracket and adjustable head in reinforced polyamide; eyebolt, nut and washer in stainless steel AISI 304.

Note: nut regulates rod position and head adjustability. Max recommended tightening torque 4 Kgm.



Code

131055
131056
131057
13271
13272
13273

For rod
Ø (mm)

K



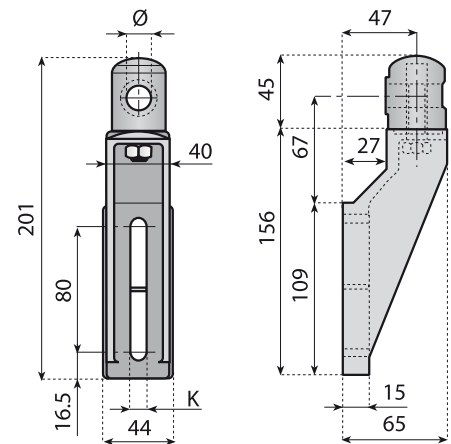
12
14
16
12
14
16

8.5

n°50

10.5

n°50



ADJUSTABLE BRACKET

Material: bracket and adjustable head in reinforced polyamide; bolt in nickel plated brass, screw and washer in stainless steel AISI 304.

Note: screw regulates rod position and head adjustability. Max recommended tightening torque 4 Kgm.



Code

131058
131059
131060
13274
13275
13276

For rod
Ø (mm)

K



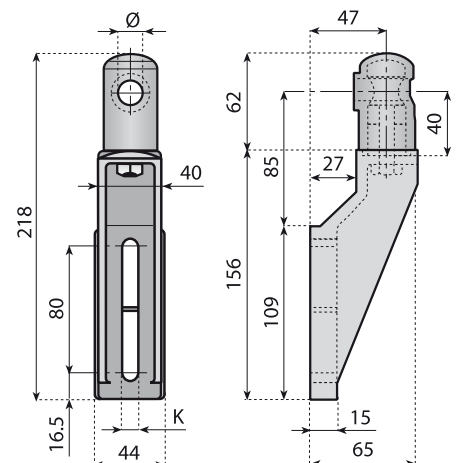
12
14
16
12
14
16

8.5

n°50

10.5

n°50



Adjustable brackets

Preferred type, readily available (codes marked in red)



AISI 304
Stainless steel



Nickel plated brass



Reinforced polyamide



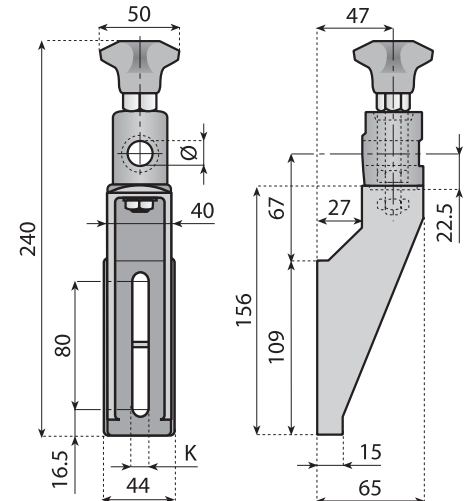
Accessories

ADJUSTABLE BRACKET

Material: bracket and adjustable head in reinforced polyamide; eyebolt, nut, screws and washer in stainless steel; knob in polyamide with nickel plated brass insert.
Note: screw regulates rod position and head adjustability. Max recommended tightening torque 4 Kgm.



Code	For rod Ø (mm)	K	
131061	12		
131062	14	8.5	n°50
131063	16		
13277	12		
13278	14	10.5	n°50
13279	16		

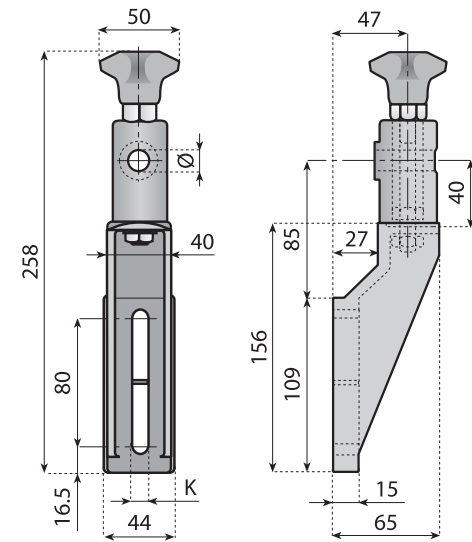


ADJUSTABLE BRACKET

Material: bracket and adjustable head in reinforced polyamide; eyebolt, nut, screws and washer in stainless steel AISI 304; knob in polyamide with nickel plated brass insert.
Note: screw regulates rod position and head adjustability. Max recommended tightening torque 4 Kgm.



Code	For rod Ø (mm)	K	
131064	12		
131065	14	8.5	n°50
131066	16		
13280	12		
13281	14	10.5	n°50
13282	16		

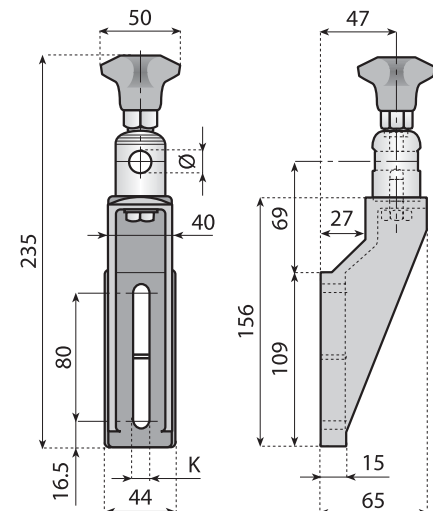


ADJUSTABLE BRACKET

Material: bracket in reinforced polyamide; screw and washer in stainless steel AISI 304; knob in polyamide with nickel plated brass insert.
Note: screw regulates rod position and head adjustability. Max recommended tightening torque 4 Kgm.



Code	Code	Head material	For rod Ø (mm)	K	
Version with star knob	Version with screw				
131067	131070	Nickel plated brass	12		
131068	131071		14	8.5	n°50
131069	131072		16		
131073	131076	Stainless steel	12		
131074	131077		14	8.5	n°50
131075	131078		16		
13283	13289	Nickel plated brass	12		
13284	13290		14	10.5	n°50
13285	13291		16		
13286	13292	Stainless steel	12		
13287	13293		14	10.5	n°50
13288	13294		16		



Adjustable brackets

 Preferred type, readily available (codes marked in red)



AISI 304
Stainless steel



Nickel plated brass



Reinforced polyamide



[250→262](#)
[Accessories](#)



BRACKET

Code

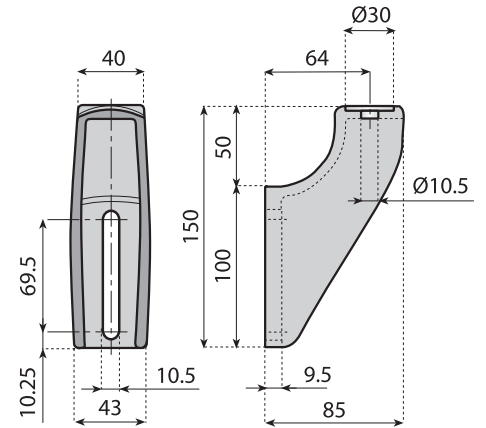
13185



n°50



PA-FG



ADJUSTABLE BRACKET

Material: bracket and adjustable head in reinforced polyamide; eyebolt, nut and washer in stainless steel AISI 304.

Note: nut regulates rod position and head adjustability. Max recommended tightening torque 4 Kgm.

Code

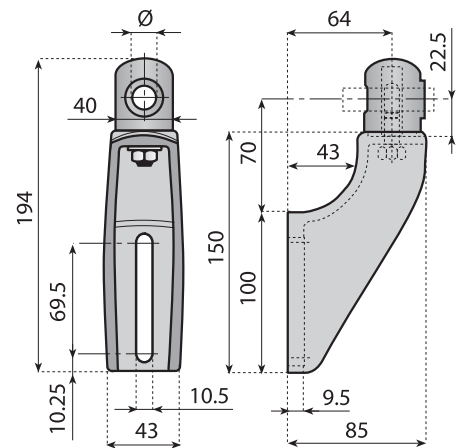
13530
13531
13532



12
14
16



n°50



ADJUSTABLE BRACKET

Material: bracket and adjustable head in reinforced polyamide; bolt in nickel plated brass, screw and washer in stainless steel AISI 304.

Note: screw regulates rod position and head adjustability. Max recommended tightening torque 4 Kgm.

Code

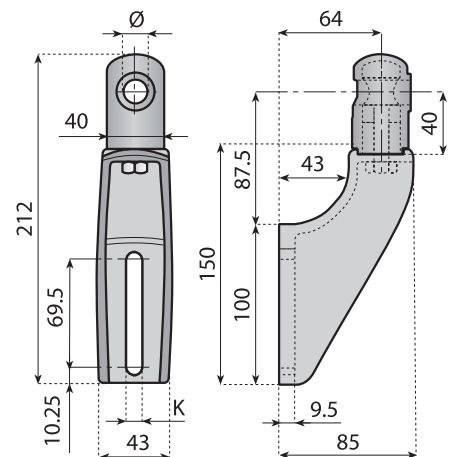
13533
13534
13535



12
14
16



n°50



Adjustable brackets

Preferred type, readily available (codes marked in red)



AISI 304
Stainless steel



Nickel plated brass



Reinforced polyamide



[250→262](#)
[Accessories](#)

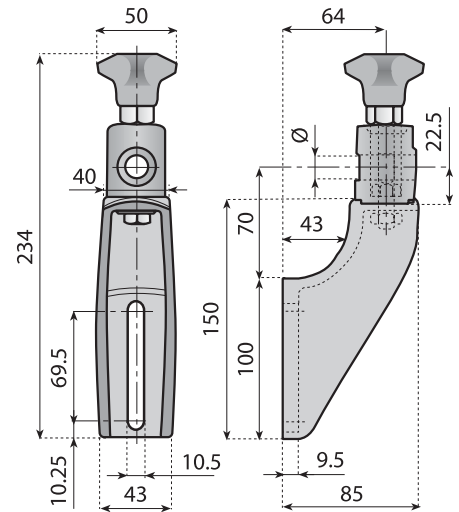
ADJUSTABLE BRACKET

Material: bracket and adjustable head in reinforced polyamide; eyebolt, nut, screws and washer in stainless steel AISI 304; knob in polyamide with nickel plated brass insert.

Note: screw regulates rod position and head adjustability. Max recommended tightening torque 4 Kgm.



Code	For rod Ø (mm)	
13536	12	
13537	14	n°50
13538	16	



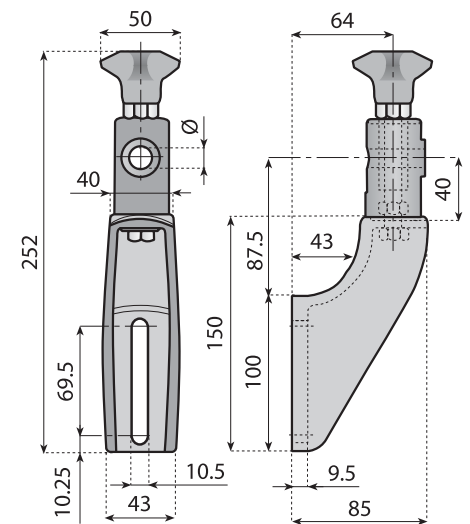
ADJUSTABLE BRACKET

Material: bracket and adjustable head in reinforced polyamide; eyebolt, nut, screws and washer in stainless steel AISI 304; knob in polyamide with nickel plated brass insert.

Note: screw regulates rod position and head adjustability. Max recommended tightening torque 4 Kgm.



Code	For rod Ø (mm)	
13539	12	
13540	14	n°50
13541	16	



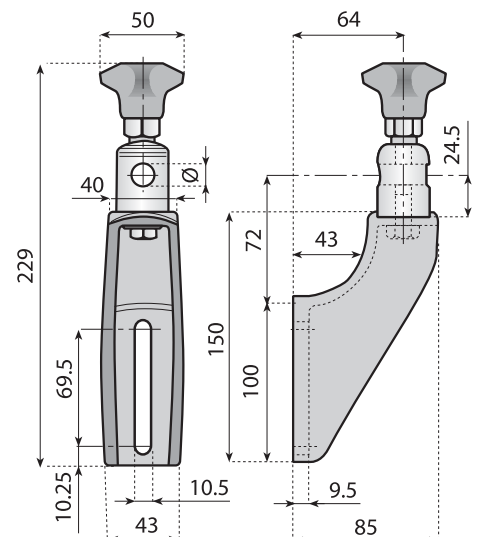
ADJUSTABLE BRACKET

Material: bracket in reinforced polyamide; screw and washer in stainless steel AISI 304; knob in polyamide with nickel plated brass insert.

Note: screw regulates rod position and head adjustability. Max recommended tightening torque 4 Kgm.



Code	Head material	For rod Ø (mm)	
13542	Nickel	12	
13543	plated brass	14	n°50
13544		16	
13545	Stainless steel	12	
13546	AISI 304	14	n°50
13547		16	



Adjustable brackets

 Preferred type, readily available (codes marked in red)

SS 304
AISI 304
Stainless steel

NPB
Nickel plated brass

PA FG
Reinforced polyamide


250 → 262
Accessories



BRACKET WITH TONGUE

Code

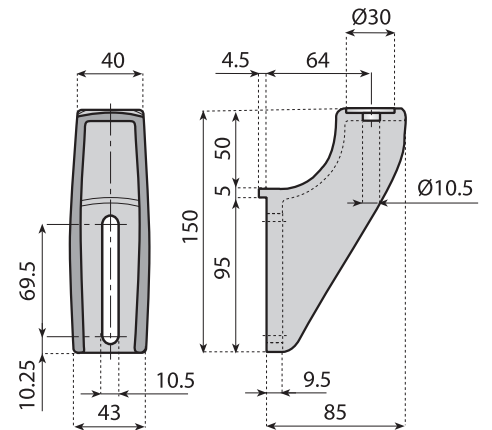
13186



n°50



PA-FG



ADJUSTABLE BRACKET

Material: bracket and adjustable head in reinforced polyamide; eyebolt, nut and washer in stainless steel AISI 304.

Note: nut regulates rod position and head adjustability. Max recommended tightening torque 4 Kgm.

Code

13580

13581

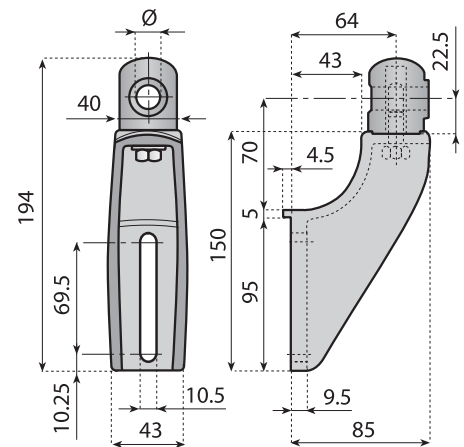
13582



12
14
16



n°50



ADJUSTABLE BRACKET

Material: bracket and adjustable head in reinforced polyamide; bolt in nickel plated brass, screw and washer in stainless steel AISI 304.

Note: screw regulates rod position and head adjustability. Max recommended tightening torque 4 Kgm.

Code

13583

13584

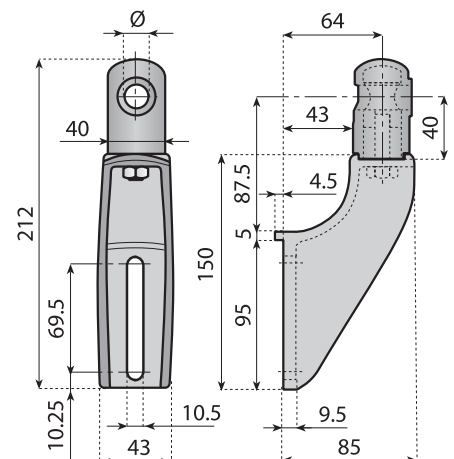
13585



12
14
16



n°50



Adjustable brackets

Preferred type, readily available (codes marked in red)



AISI 304
Stainless steel



Nickel plated brass



Reinforced polyamide



[Accessories](#)

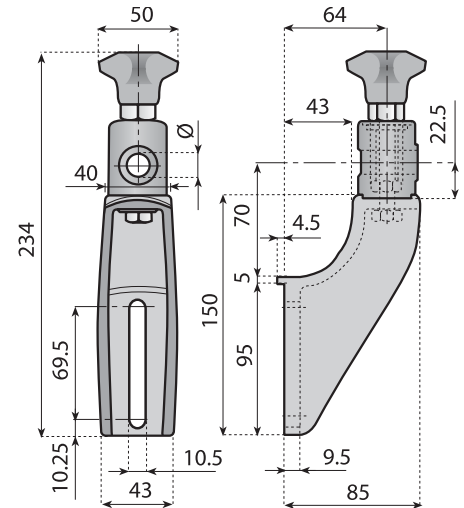


ADJUSTABLE BRACKET

Material: bracket and adjustable head in reinforced polyamide; eyebolt, nut, screws and washer in stainless steel AISI 304; knob in polyamide with nickel plated brass insert.

Note: screw regulates rod position and head adjustability. Max recommended tightening torque 4 Kgm.

Code	For rod Ø (mm)	
13586	12	
13587	14	n°50
13588	16	

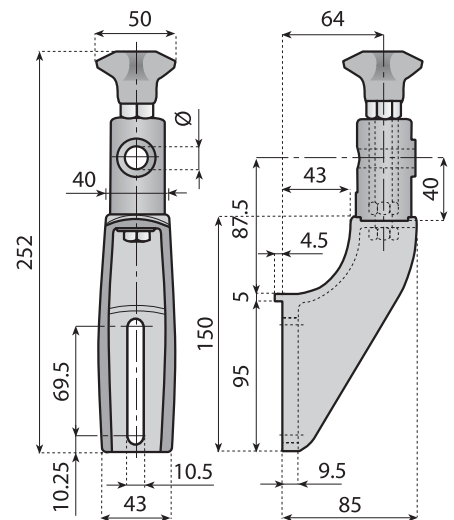


ADJUSTABLE BRACKET

Material: bracket and adjustable head in reinforced polyamide; eyebolt, nut, screws and washer in stainless steel AISI 304; knob in polyamide with nickel plated brass insert.

Note: screw regulates rod position and head adjustability. Max recommended tightening torque 4 Kgm.

Code	For rod Ø (mm)	
13589	12	
13590	14	n°50
13591	16	

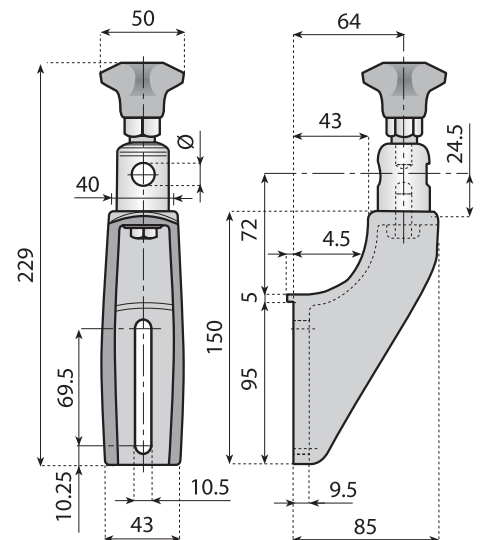


ADJUSTABLE BRACKET

Material: bracket in reinforced polyamide; screw and washer in stainless steel AISI 304; knob in polyamide with nickel plated brass insert.

Note: screw regulates rod position and head adjustability. Max recommended tightening torque 4 Kgm.

Code	Head material	For rod Ø (mm)	
13592	Nickel	12	
13593	plated brass	14	n°50
13594		16	
13595	Stainless steel	12	
13596	AISI 304	14	n°50
13597		16	



Adjustable brackets

 Preferred type, readily available (codes marked in red)



AISI 304
Stainless steel



Nickel plated brass



Reinforced
polyamide



[Accessories](#)



BRACKET

Code

13040

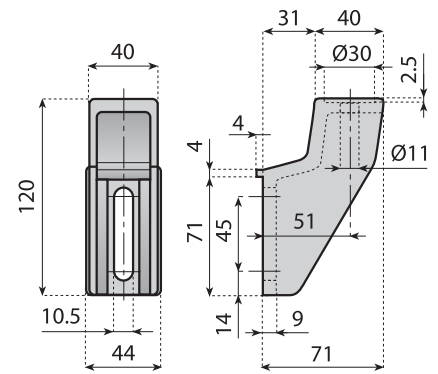


n°50



Material

PA-FG



ADJUSTABLE BRACKET

Material: bracket and adjustable head in reinforced polyamide; eyebolt, nut and washer in stainless steel AISI 304.

Note: nut regulates rod position and head adjustability. Max recommended tightening torque 4 Kgm.

Code

13041



12

13042

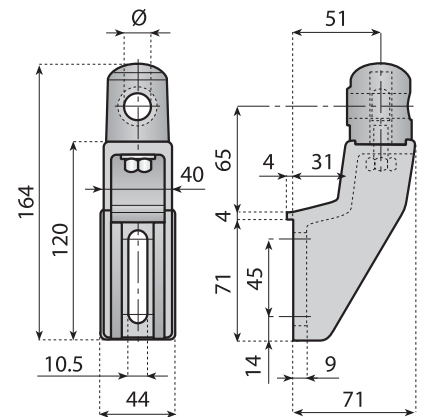
14



n°50

13043

16



ADJUSTABLE BRACKET

Material: bracket and adjustable head in reinforced polyamide; threaded insert in nickel plated brass, screw and washer in stainless steel AISI 304.

Note: screw regulates rod position and head adjustability. Max recommended tightening torque 4 Kgm.

Code

13889



12

13890

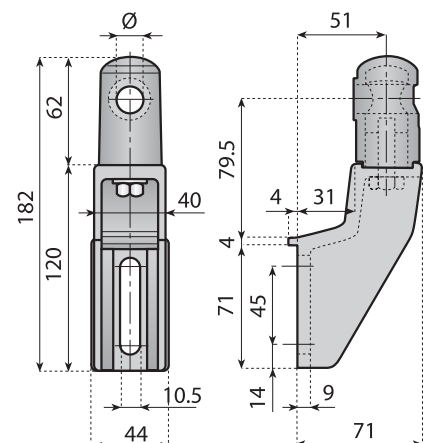
14



n°50

13891

16



Adjustable brackets

Preferred type, readily available (codes marked in red)



AISI 304
Stainless steel



Nickel plated brass



Reinforced polyamide



[Accessories](#)

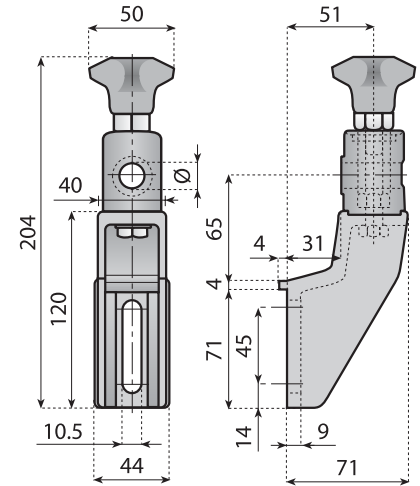


ADJUSTABLE BRACKET

Material: bracket and adjustable head in reinforced polyamide; eyebolt, nut, screws and washer in stainless steel AISI 304; knob in polyamide with nickel plated brass insert.

Note: screw regulates rod position and head adjustability. Max recommended tightening torque 4 Kgm.

Code	For rod Ø (mm)	
13044	12	
13045	14	n°50
13046	16	

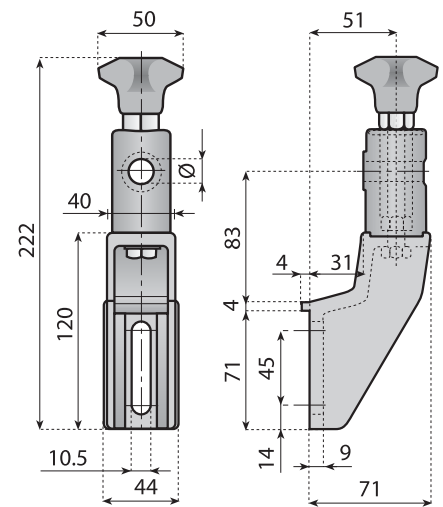


ADJUSTABLE BRACKET

Material: bracket and adjustable head in reinforced polyamide; eyebolt, nut, screws and washer in stainless steel AISI 304; knob in polyamide with nickel plated brass insert.

Note: screw regulates rod position and head adjustability. Max recommended tightening torque 4 Kgm.

Code	For rod Ø (mm)	
13892	12	
13893	14	n°50
13894	16	

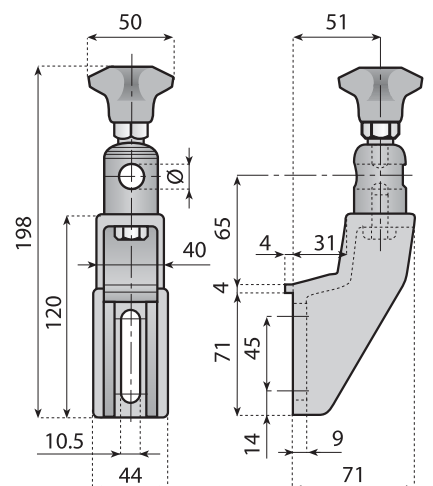


ADJUSTABLE BRACKET

Material: bracket in reinforced polyamide; screw and washer in stainless steel AISI 304; knob in polyamide with nickel plated brass insert.

Note: screw regulates rod position and head adjustability. Max recommended tightening torque 4 Kgm.

Code	Head material	For rod Ø (mm)	
13100	Nickel	12	
13101	plated brass	14	n°50
13102		16	
13047	Stainless steel	12	
13048	AISI 304	14	n°50
13049		16	



Side guide brackets

 Preferred type, readily available (codes marked in red)



AISI 304
Stainless steel



Nickel plated brass



Reinforced
polyamide



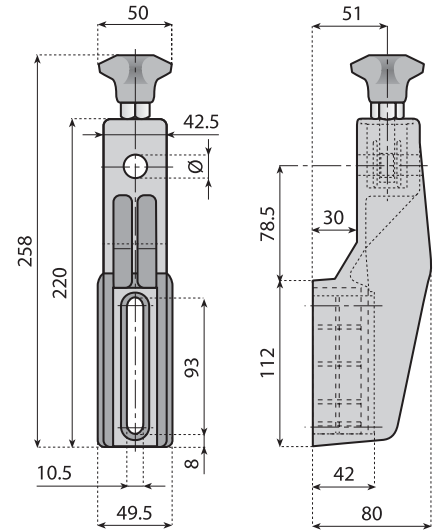
[250-262](#)
Accessories



EXTRA-BRACKET

Material: bracket in reinforced polyamide; eyebolt, and washer in stainless steel AISI 304; knob in polyamide with nickel plated brass insert.
Note: max recommended tightening torque 4 Kgm.

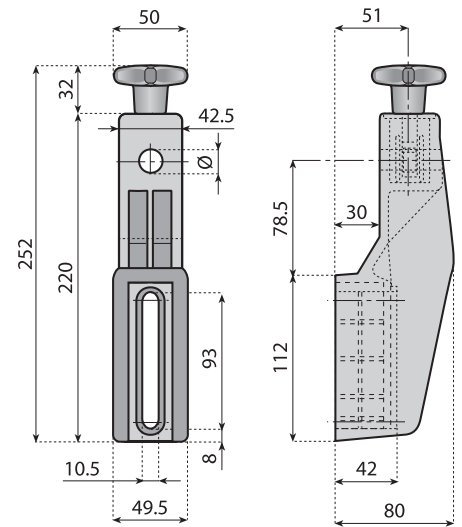
Code	For rod Ø (mm)	
13050	12	
13051	14	n°25
13052	16	



EXTRA-BRACKET

Material: bracket in reinforced polyamide; eyebolt, and washer in stainless steel AISI 304; knob in polyamide with nickel plated brass insert.
Note: max recommended tightening torque 4 Kgm.

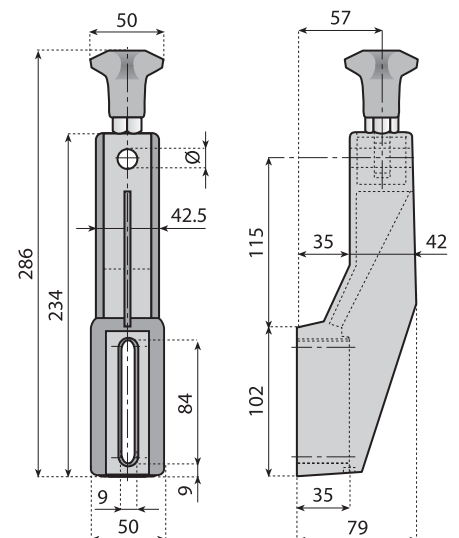
Code	For rod Ø (mm)	
13895	12	
13896	14	n°25
13897	16	



EXTRA-BRACKET

Material: bracket in reinforced polyamide; eyebolt, and washer in stainless steel AISI 304; knob in polyamide with nickel plated brass insert.
Note: max recommended tightening torque 4 Kgm.

Code	For rod Ø (mm)	
13205	12	
13206	14	n°25
13207	16	



Side guide brackets

Preferred type, readily available (codes marked in red)



AISI 304
Stainless steel



Reinforced
polyamide



SIDE BRACKET FOR HORIZONTAL TUBES

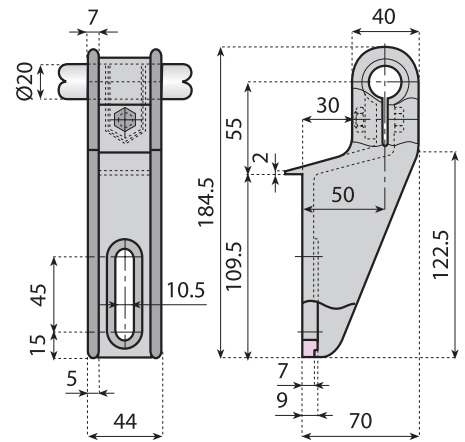
Material: bracket in reinforced polyamide, nut, screws and washers in stainless steel AISI 304.

Code

13898



n°50



SIDE BRACKET

Code

13251

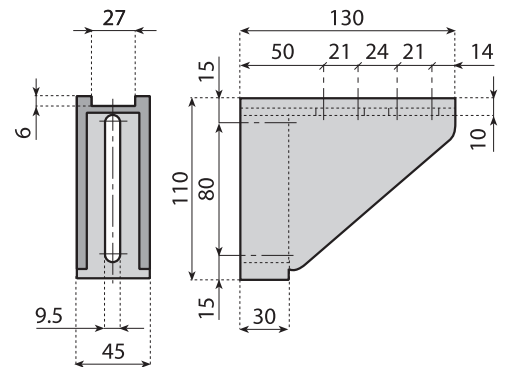


n°50



Material

PA-FG



SIDE BRACKET

Code

13249

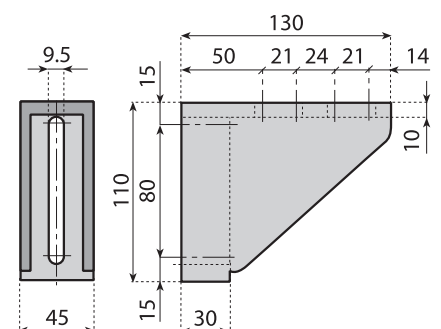


n°50



Material

PA-FG



Side brackets



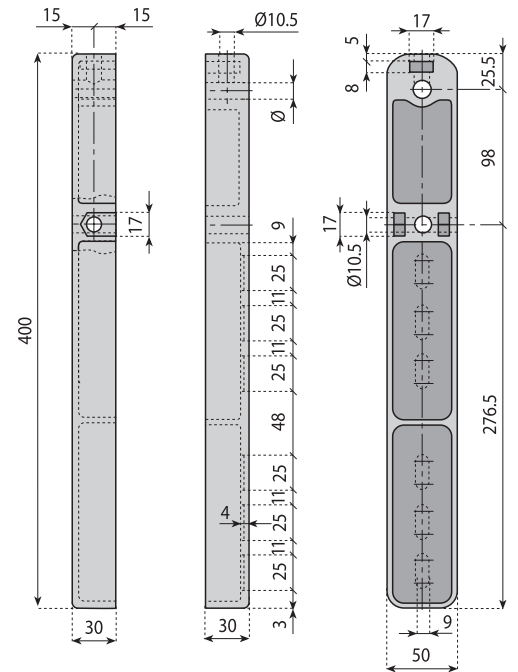
Reinforced polyamide



SIDE BRACKET

Application: air conveyors for PET bottles.

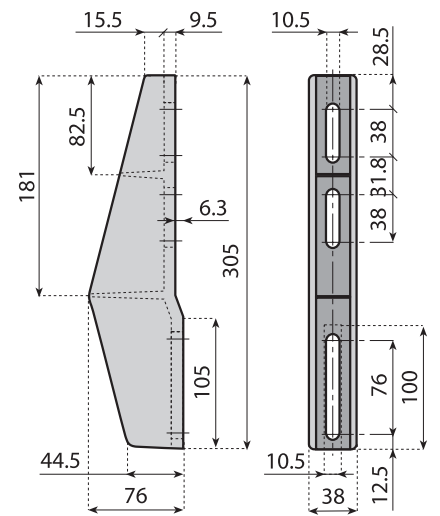
Code	For rod Ø (mm)		Material
13930	12		PA-FG
13931	14	n°50	PA-FG
13932	16		PA-FG



FIXED BRACKET

Application: conveyors with fixed guides.

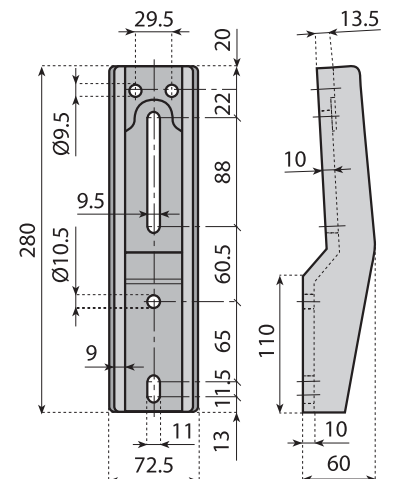
Code		Material
13057	n°50	PA-FG



FIXED BRACKET

Application: conveyor frames.

Code		Material
13900	n°50	PA-FG



Side brackets in stainless steel

Preferred type, readily available (codes marked in red)



AISI 304
Stainless steel



[Accessories](#)



SIDE BRACKET

Code

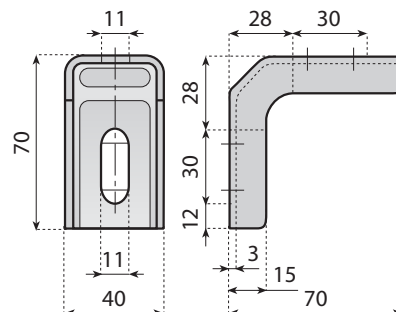
13804



n°50



SS
AISI 304



SIDE BRACKET

Code

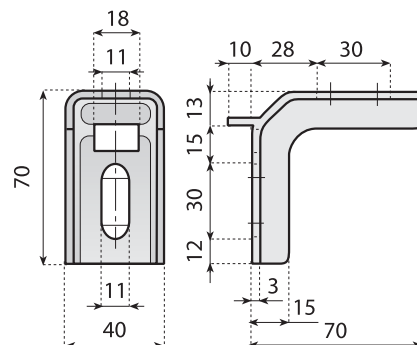
13803



n°50



SS
AISI 304



SIDE BRACKET

Code

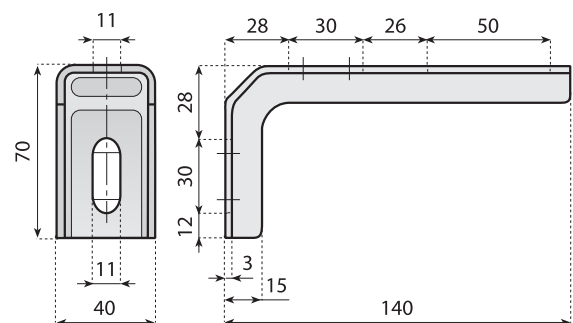
13802



n°50



SS
AISI 304



SIDE BRACKET

Code

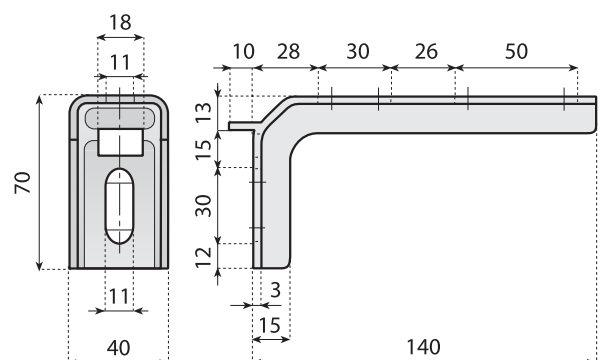
13801




n°50



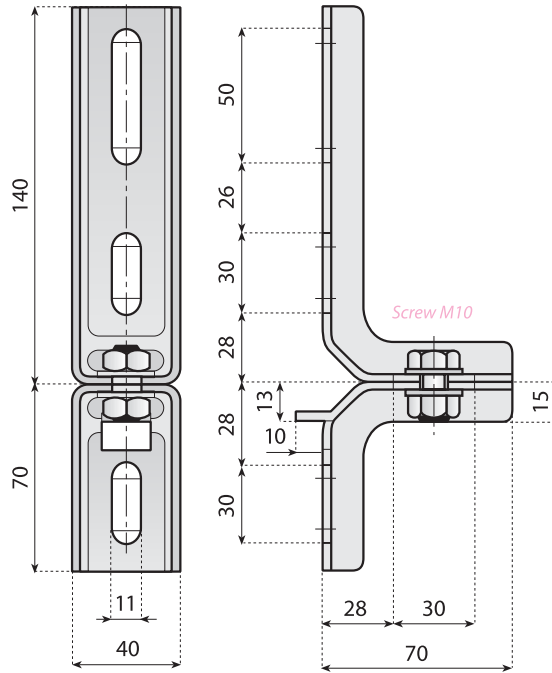
SS
AISI 304



Side brackets in stainless steel

 Preferred type, readily available
(codes marked in red)

**SS
304**
AISI 304
Stainless steel



SIDE BRACKET

Thickness: $S = 3$ mm.
Surface: tumbling finish.

Code

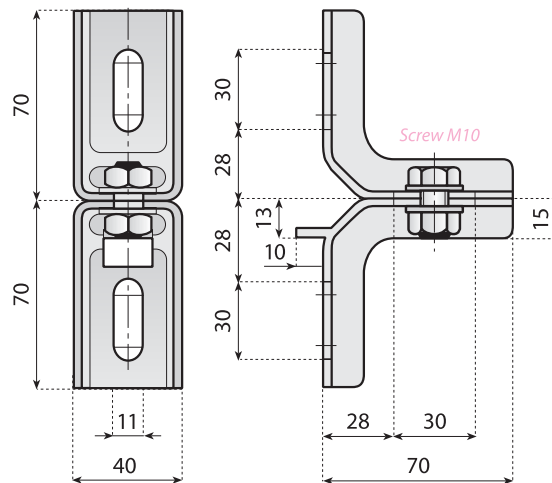
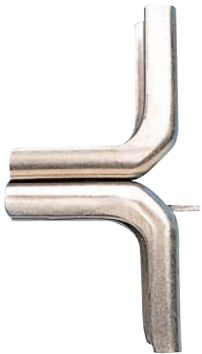
13805



n°25



SS
AISI 304



SIDE BRACKET

Thickness: $S = 3$ mm.
Surface: tumbling finish.

Code

13806

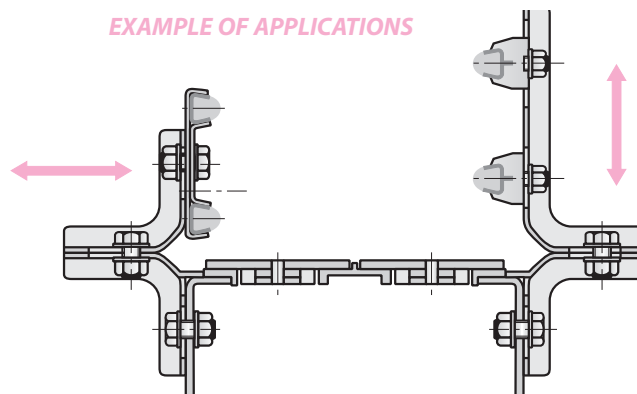


n°25



SS
AISI 304

EXAMPLE OF APPLICATIONS



Stainless steel components



AISI 304
Stainless steel



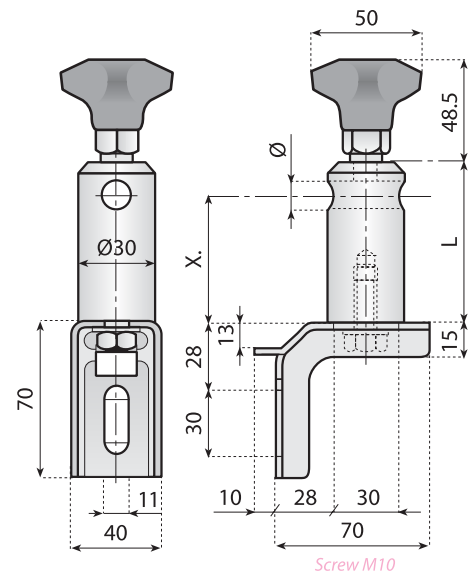
Nickel plated brass



Polyamide



Accessories

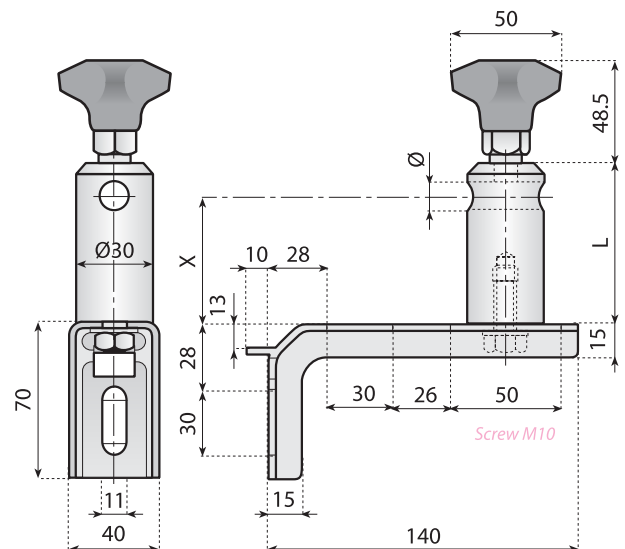


Code

Bracket standard	Bracket with tongue	For rod Ø (mm)		X	L
13815W	13815			40	55
13818W	13818	12	n°25	60	75
13821W	13821			90	105
13824W	13824			130	145
13816W	13816			40	56
13819W	13819	14	n°25	60	76
13822W	13822			90	106
13825W	13825			130	146
13817W	13817			40	57
13820W	13820	16	n°25	60	77
13823W	13823			90	107
13826W	13826			130	147

SIDE BRACKET WITH ADJUSTABLE HEAD

Material: bracket, head and bolts in stainless steel AISI 304. Knob in polyamide with hexagonal bushing in nickel plated brass.



Code

Bracket standard	Bracket with tongue	For rod Ø (mm)		X	L
131100W	131100			40	55
131101W	131101	12	n°25	60	75
131102W	131102			90	105
131103W	131103			130	145
131104W	131104			40	56
131105W	131105	14	n°25	60	76
131106W	131106			90	106
131107W	131107			130	146
131108W	131108			40	57
131109W	131109	16	n°25	60	77
131110W	131110			90	107
131111W	131111			130	147

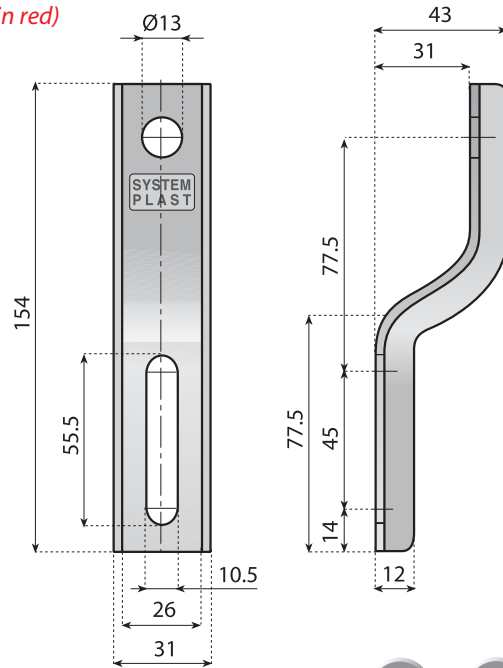
SIDE BRACKET WITH ADJUSTABLE HEAD

Material: bracket, head and bolts in stainless steel AISI 304. Knob in polyamide with hexagonal bushing in nickel plated brass.

Side brackets in stainless steel

SS 304
AISI 304
Stainless steel

 Preferred type, readily available (codes marked in red)



FIXED BRACKET

Thickness: $S = 2.5$ mm.
Surface: tumbling finish.
Use: support for side guides.

Code

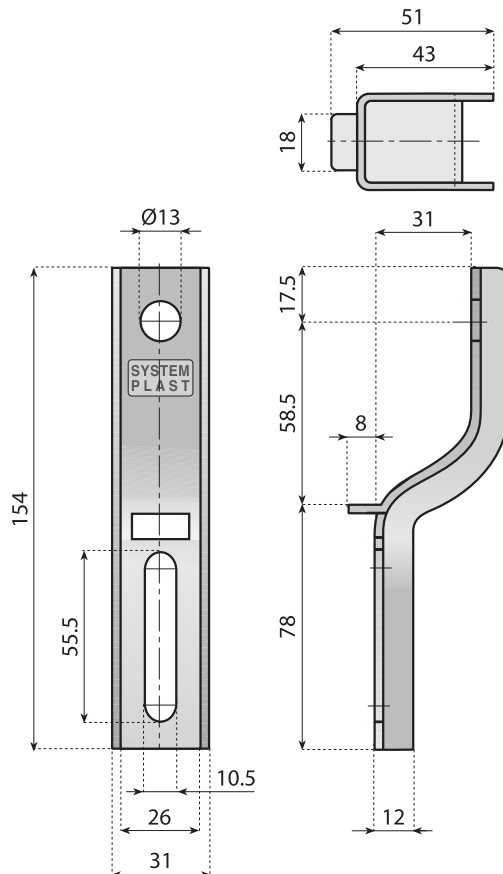
13809



n°50



SS
AISI 304



FIXED BRACKET

Thickness: $S = 2.5$ mm.
Surface: tumbling finish.
Use: support for side guides.

Code

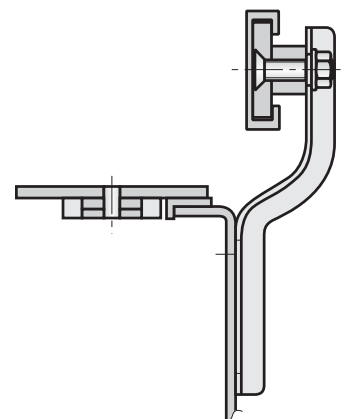
13831



n°50



SS
AISI 304



Stainless steel guide rail brackets

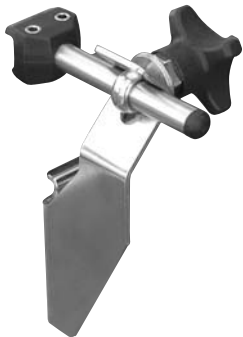
Preferred type, readily available (codes marked in red)

SS 304
AISI 304
Stainless steel

PA FG
Reinforced
polyamide

PATENT FEATURE

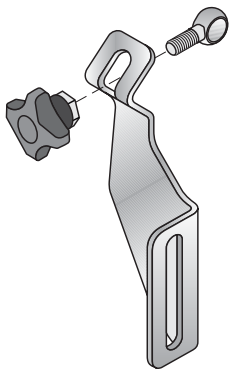
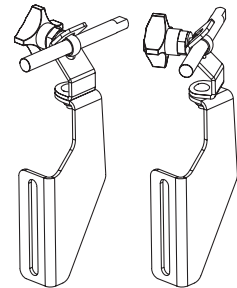
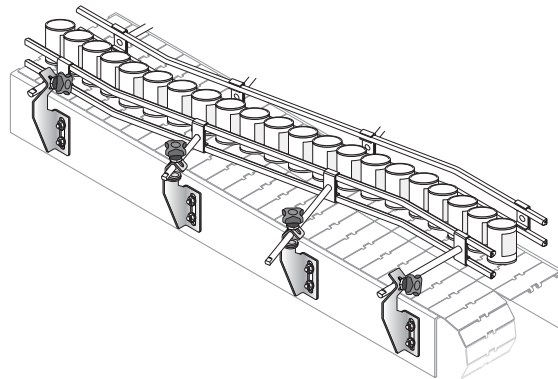
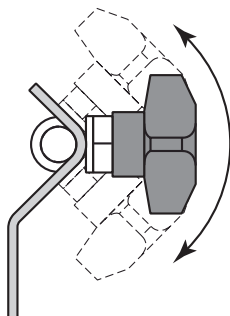
Par. # 6,189,685
Par. # 6,669,009
(USA)



NEW VALU GUIDE STAINLESS STEEL GUIDE RAIL BRACKETS

Characteristics:

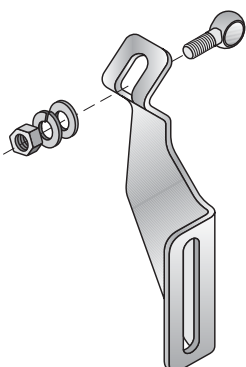
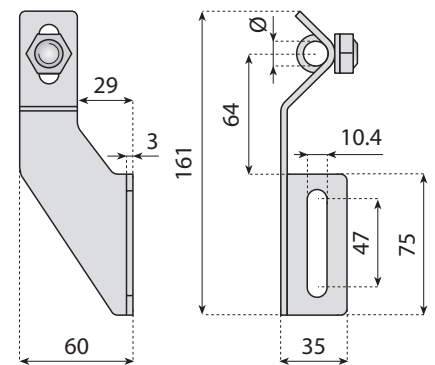
- 304 stainless steel
- Versatile, sanitary design
- High temperature or corrosive environments
- Tall or short, fixed or swivel



STAINLESS STEEL BRACKET WITH EYEBOLT AND KNOB

Material: body in stainless steel, eyebolt and washer in stainless steel AISI 304, knob in reinforced polyamide with nickel plated brass insert.

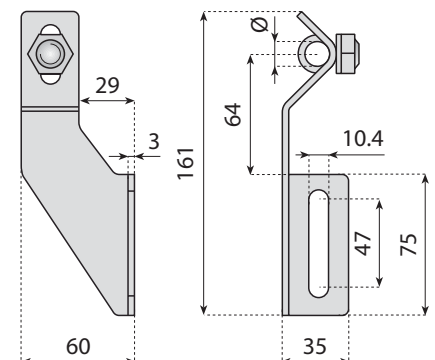
Code	Ref.	For rod Ø (mm)	
13S00001	VG-213-12-01	12-13	n°4
13S00003	VG-213-14-01	14	
13S00005	VG-213-58-01	16	
13S00004	VG-213-20-01	20	



STAINLESS STEEL BRACKET WITH EYEBOLT AND NUT

Material: body in stainless steel, eyebolt and washer in stainless steel AISI 304, knob in reinforced polyamide with nickel plated brass insert.

Code	Ref.	For rod Ø (mm)	
13S00007	VG-213N-12-01	12-13	n°4
13S00008	VG-213N-14-01	14	
13S00010	VG-213N-58-01	16	
13S00009	VG-213N-20-01	20*	



*Ø20 versions can be converted to SpeedSet brackets.

Stainless steel guide rail brackets

 Preferred type, readily available (codes marked in red)



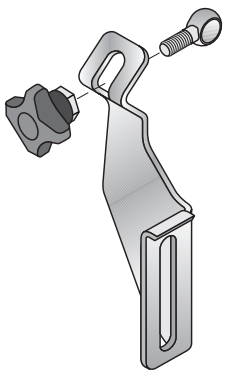
AISI 304
Stainless steel



Reinforced
polyamide




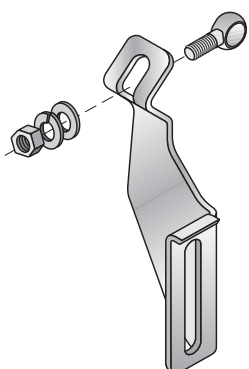
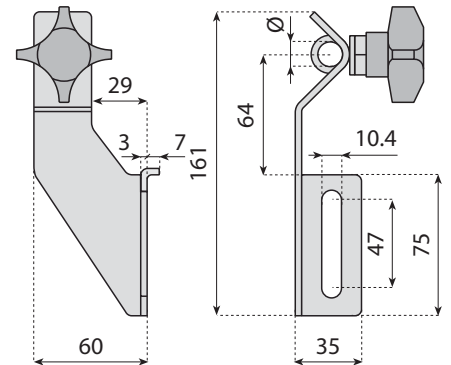
Par. # 6,189,685
Par. # 6,543,608
Par. # 6,669,009
(USA)



STAINLESS STEEL BRACKETS WITH LIP, EYEBOLT AND KNOB


Material: body in stainless steel, eyebolt and washer in stainless steel AISI 304, knob in polyamide with nickel plated brass insert.

Code	Ref.	For rod Ø (mm)	
13S00020	VG-213T-12-01	12-13	n°4
13S00025	VG-213T-14-01	14	
13S00022	VG-213T-58-01	16	
13S00021	VG-213T-20-01	20	

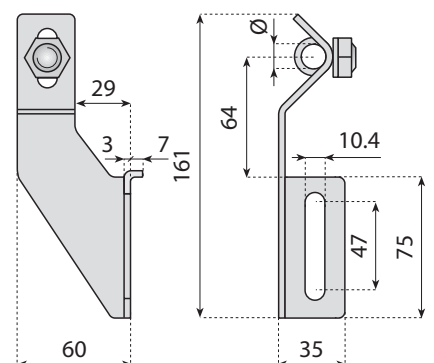


STAINLESS STEEL BRACKETS WITH LIP, EYEBOLT AND NUT

Material: body in stainless steel, eyebolt and washer in stainless steel AISI 304.

Code	Ref.	For rod Ø (mm)	
13S00023	VG-213TN-12-01	12-13	n°4
13S00026	VG-213TN-14-01	14	
13S00024	VG-213TN-58-01	16	
13S00027	VG-213TN-20-01	20*	

*Ø20 versions can be converted to SpeedSet brackets.



Stainless steel guide rail brackets

Preferred type, readily available (codes marked in red)



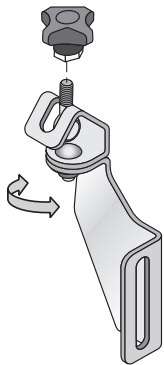
AISI 304
Stainless steel



Reinforced
polyamide



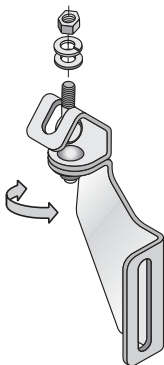
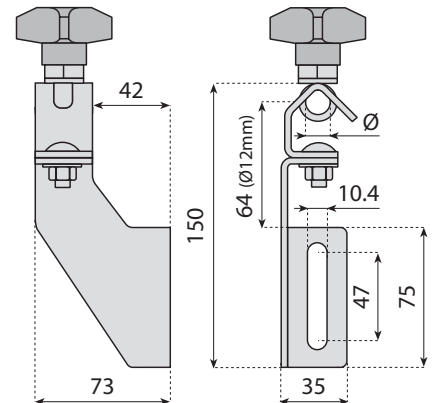
Par. # 6,189,685
Par. # 6,543,608
Par. # 6,669,009
(USA)



ADJUSTABLE STAINLESS STEEL BRACKETS

Material: body in stainless steel, eyebolt and washer in stainless steel AISI 304, knob in polyamide with nickel plated brass insert.

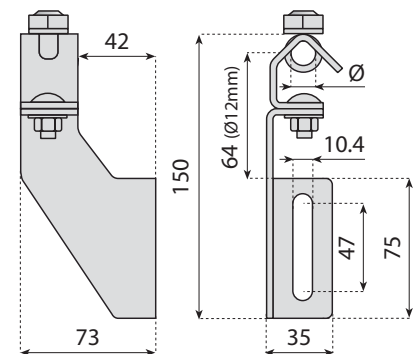
Code	Ref.	For rod Ø (mm)	
13S00011	VG-213R-12-01	12-13	n°4
13S00028	VG-213R-14-01	14	
13S00012	VG-213R-58-01	16	
13S00029	VG-213R-20-01	20	



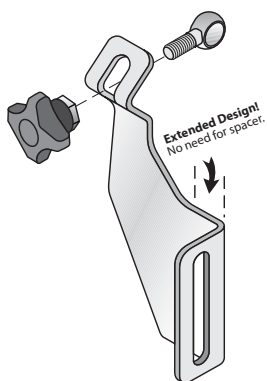
ADJUSTABLE STAINLESS STEEL BRACKETS

Material: body in stainless steel, eyebolt nut and washer in stainless steel AISI 304.

Code	Ref.	For rod Ø (mm)	
13S00032	VG-213RN-12-01	12-13	n°4
13S00033	VG-213RN-14-01	14	
13S00034	VG-213RN-58-01	16	
13S00035	VG-213RN-20-01	20*	



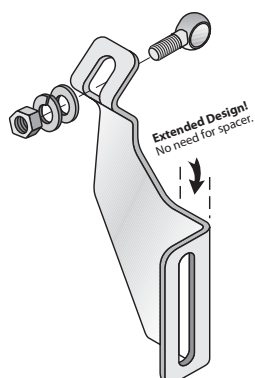
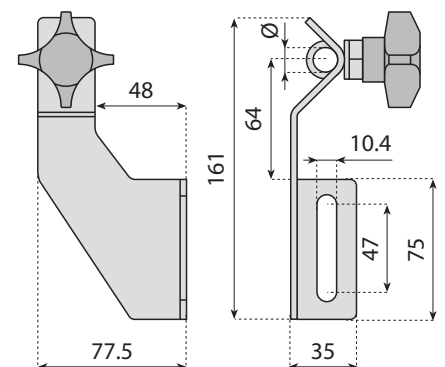
*Ø20 versions can be converted to SpeedSet brackets.



STAINLESS STEEL GUIDE RAIL BRACKETS

Material: body in stainless steel, eyebolt and washer in stainless steel AISI 304, knob in polyamide with nickel plated brass insert.

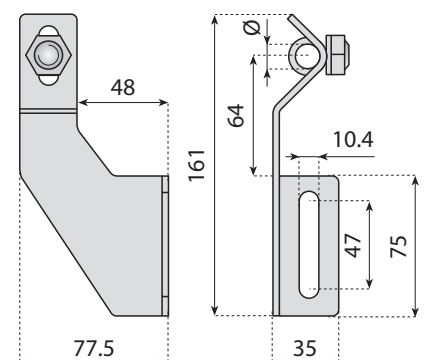
Code	Ref.	For rod Ø (mm)	
13S00002	VG-213-12-02	12-13	n°4
13S00030	VG-213-14-02	14	
13S00006	VG-213-58-02	16	
13S00031	VG-213-20-02	20	



STAINLESS STEEL GUIDE RAIL BRACKETS

Material: body in stainless steel, eyebolt nut and washer in stainless steel AISI 304.

Code	Ref.	For rod Ø (mm)	
13S00036	VG-213N-12-02	12-13	n°4
13S00037	VG-213N-14-02	14	
13S00038	VG-213N-58-02	16	
13S00039	VG-213N-20-02	20*	



*Ø20 versions can be converted to SpeedSet brackets.

Stainless steel guide rail brackets

 Preferred type, readily available (codes marked in red)



Heavy duty



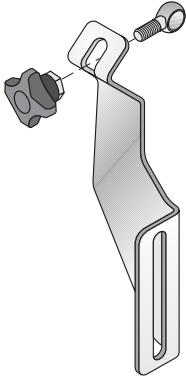
AISI 304
Stainless steel



Reinforced
polyamide




Par. # 6,189,685
Par. # 6,669,009
(USA)

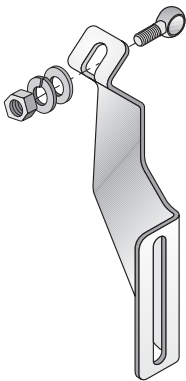
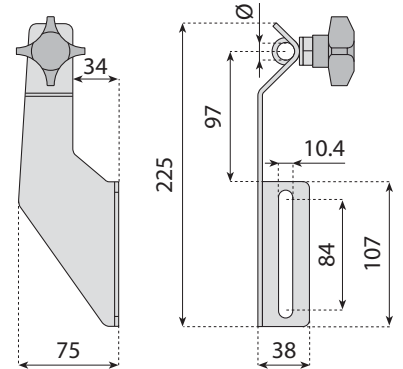


STAINLESS STEEL GUIDE RAIL BRACKETS

Material: body in stainless steel, eyebolt and washer in stainless steel AISI 304, knob in reinforced polyamide with nickel plated brass insert.

Characteristics: Heavy duty


Code	Ref.	For rod Ø (mm)	
13S00050	VG-223-12-01	12-13	n°4
13S00052	VG-223-14-01	14	
13S00055	VG-223-58-01	16	
13S00040	VG-223-20-01	20	



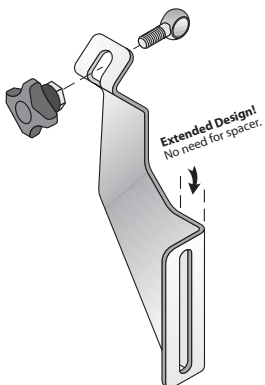
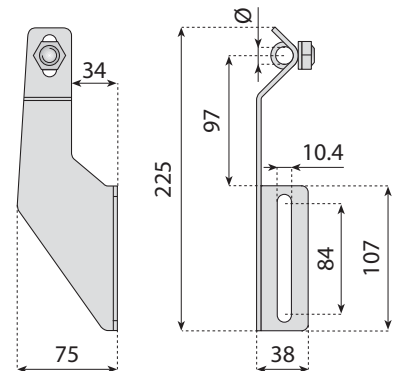
STAINLESS STEEL GUIDE RAIL BRACKETS

Material: body in stainless steel, eyebolt nut and washer in stainless steel AISI 304.

Characteristics: Heavy duty

Code	Ref.	For rod Ø (mm)	
13S00057	VG-223N-12-01	12-13	n°4
13S00041	VG-223N-14-01	14	
13S00058	VG-223N-58-01	16	
13S00042	VG-223N-20-01	20*	


*Ø20 versions can be converted to SpeedSet brackets.

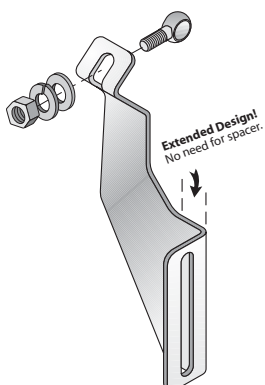
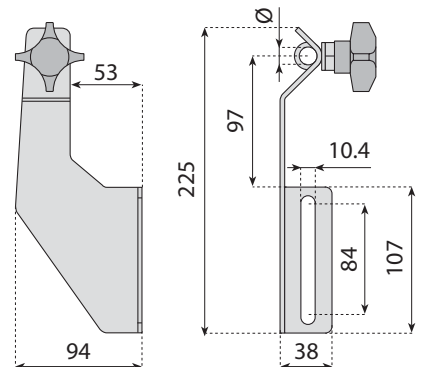


STAINLESS STEEL GUIDE RAIL BRACKETS

Material: body in stainless steel, eyebolt and washer in stainless steel AISI 304, knob in reinforced polyamide with nickel plated brass insert.

Characteristics: Heavy duty


Code	Ref.	For rod Ø (mm)	
13S00051	VG-223-12-02	12-13	n°4
13S00053	VG-223-14-02	14	
13S00056	VG-223-58-02	16	
13S00054	VG-223-20-02	20	



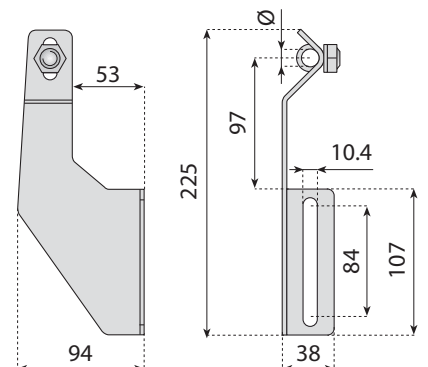
STAINLESS STEEL GUIDE RAIL BRACKETS

Material: body in stainless steel, eyebolt nut and washer in stainless steel AISI 304.

Characteristics: Heavy duty

Code	Ref.	For rod Ø (mm)	
13S00046	VG-223N-12-02	12-13	n°4
13S00047	VG-223N-14-02	14	
13S00048	VG-223N-58-02	16	
13S00049	VG-223N-20-02	20*	

*Ø20 versions can be converted to SpeedSet brackets.



Stainless steel guide rail brackets

Preferred type, readily available (codes marked in red)



Heavy duty



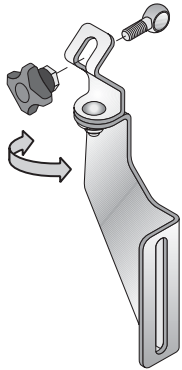
AISI 304
Stainless steel



Reinforced
polyamide



Par. # 6,189,685
Par. # 6,669,009
(USA)



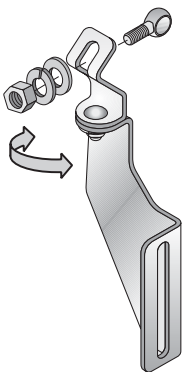
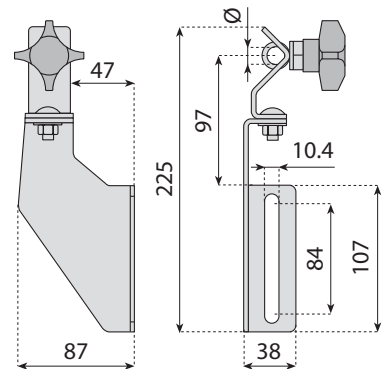
STAINLESS STEEL GUIDE RAIL BRACKETS

Material: body in stainless steel, eyebolt and washer in stainless steel AISI 304, knob in reinforced polyamide with nickel plated brass insert.

Characteristics: Heavy duty

Code	Ref.	For rod Ø (mm)	
13S00059	VG-223R-12-01	12-13	n°4
13S00060	VG-223R-14-01	14	
13S00062	VG-223R-58-01	16	
13S00061	VG-223R-20-01	20*	

*Ø20 versions can be converted to SpeedSet brackets.



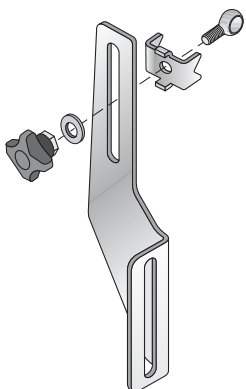
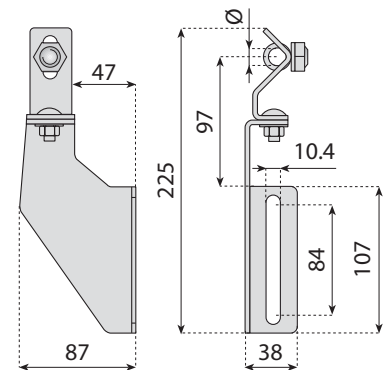
ADJUSTABLE STAINLESS STEEL GUIDE RAIL BRACKETS

Material: body in stainless steel, eyebolt nut and washer in stainless steel AISI 304.

Characteristics: Heavy duty

Code	Ref.	For rod Ø (mm)	
13S00064	VG-223RN-12-01	12-13	n°4
13S00043	VG-223RN-14-01	14	
13S00044	VG-223RN-58-01	16	
13S00045	VG-223RN-20-01	20*	

*Ø20 versions can be converted to SpeedSet brackets.

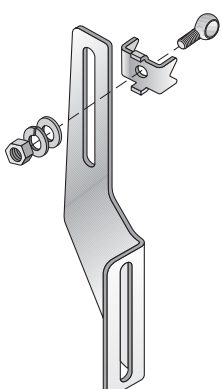
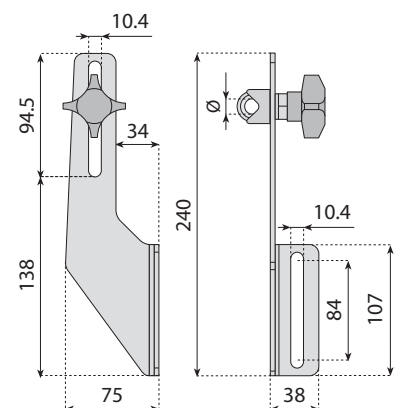


STAINLESS STEEL GUIDE RAIL BRACKETS

Material: body in stainless steel, eyebolt and washer in stainless steel AISI 304, knob in reinforced polyamide with nickel plated brass insert.

Characteristics: Heavy duty

Code	Ref.	For rod Ø (mm)	
13S00080	VG-223F-12-01	12-13	n°4
13S00081	VG-223F-14-01	14	
13S00082	VG-223F-58-01	16	
13S00083	VG-223F-20-01	20	



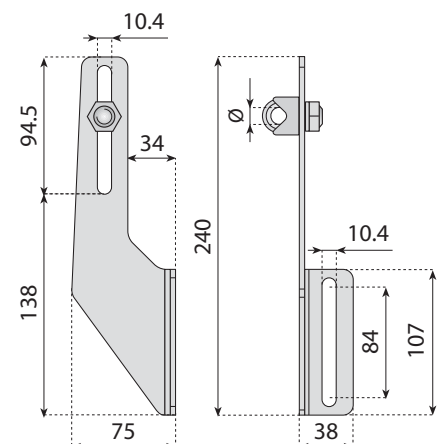
STAINLESS STEEL GUIDE RAIL BRACKETS

Material: body in stainless steel, eyebolt nut and washer in stainless steel AISI 304.

Characteristics: Heavy duty

Code	Ref.	For rod Ø (mm)	
13S00084	VG-223FN-12-01	12-13	n°4
13S00085	VG-223FN-14-01	14	
13S00086	VG-223FN-58-01	16	
13S00087	VG-223FN-20-01	20*	

*Ø20 versions can be converted to SpeedSet brackets.



Stainless steel guide rail brackets

 Preferred type, readily available (codes marked in red)



Stainless steel



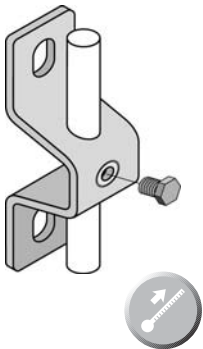
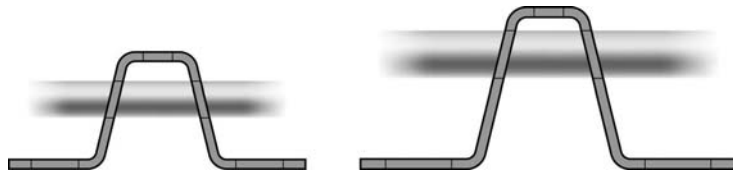
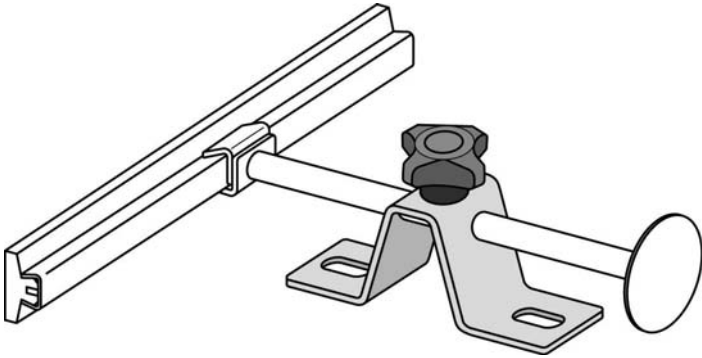
Reinforced polyamide



For use in high temperatures




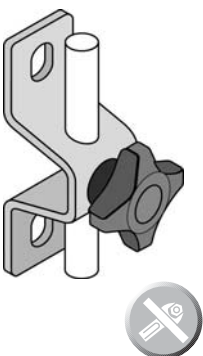
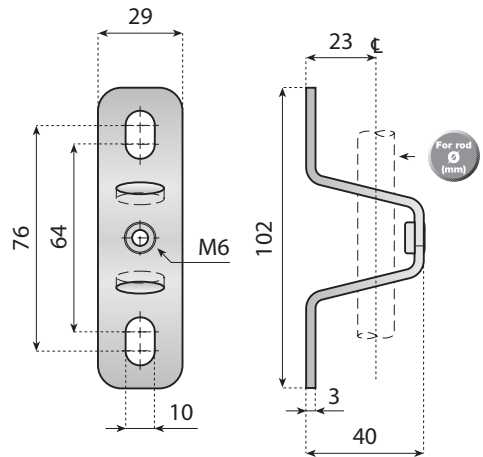
No tools required



STAINLESS STEEL GUIDE RAIL BRACKETS


Material: body in stainless steel, insert in nickel plated brass, screw in stainless steel

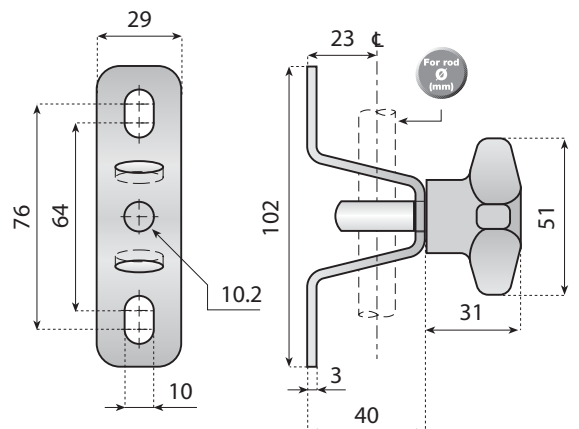
Code	Ref.	For rod Ø (mm)	
13S00105	VG-254MB-S-12	12-13	n°10



STAINLESS STEEL GUIDE RAIL BRACKETS

Material: body in stainless steel, eyebolt and washer in stainless steel, knob in reinforced polyamide with nickel plated brass insert.

Code	Ref.	For rod Ø (mm)	
13S00104	VG-254K-S-12	12-13	n°10



Stainless steel guide rail brackets

Preferred type, readily available (codes marked in red)



Stainless steel



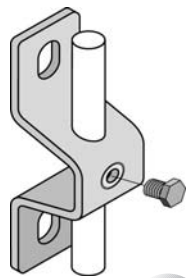
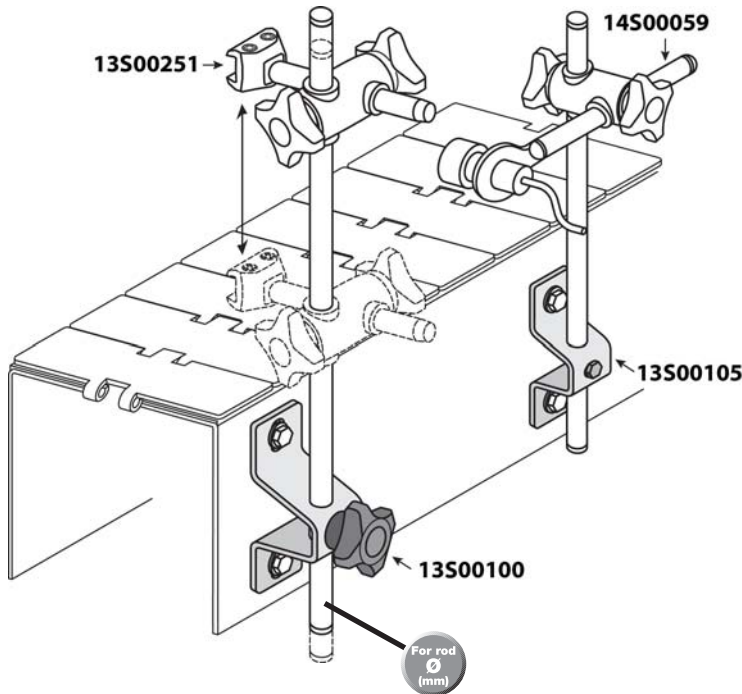
Reinforced polyamide



For use in high temperatures



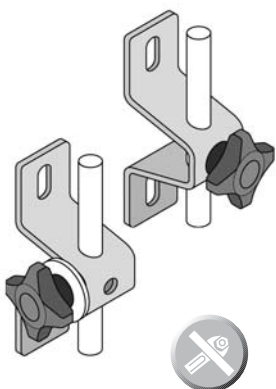
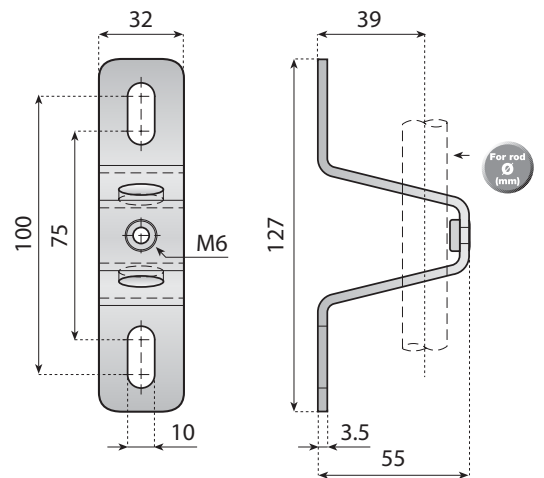
No tools required



STAINLESS STEEL GUIDE RAIL BRACKETS

Material: body in stainless steel, screw in stainless steel, insert in nickel plated brass.

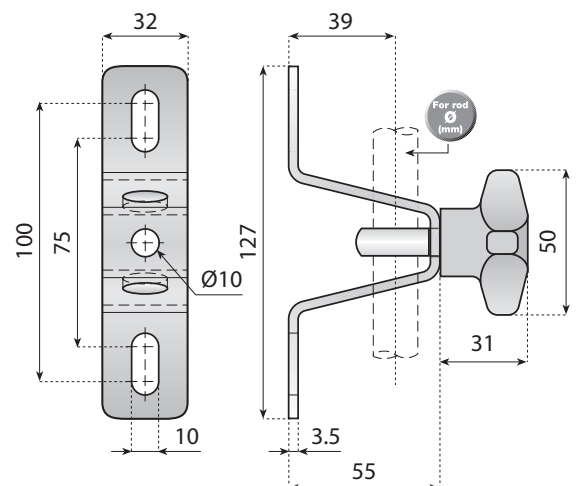
Code	Ref.	For rod Ø (mm)	
13500102	VG-253MB-S-12	12-13	n°10
13500103	VG-253MB-S-58	16	



STAINLESS STEEL GUIDE RAIL BRACKETS

Material: body in stainless steel, eyebolt and washer in stainless steel, knob in reinforced polyamide with nickel plated brass insert.

Code	Ref.	For rod Ø (mm)	
13500100	VG-253K-S-12	12-13	n°10
13500101	VG-253K-S-58	16	



Polyamide bracket

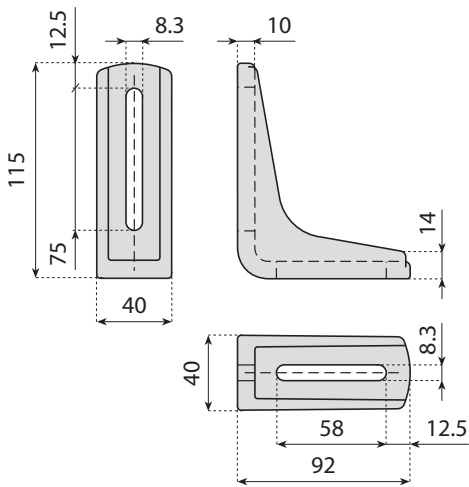
 Preferred type, readily available (codes marked in red)





Polyamide



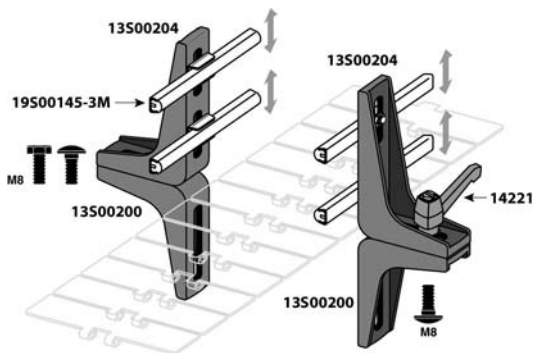
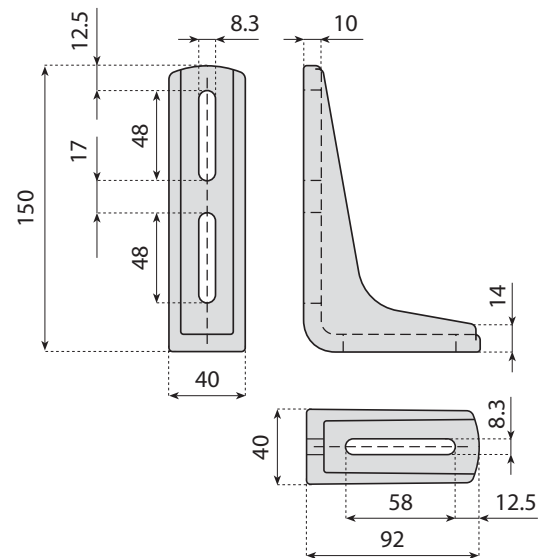
Accessories




SINGLE SLOT BRACKET

Code	Ref.		Material	
13500200	VG-245-H-BK	n°10	PA	Black
13500203	VG-245-H-GR			Grey

Hardware not included

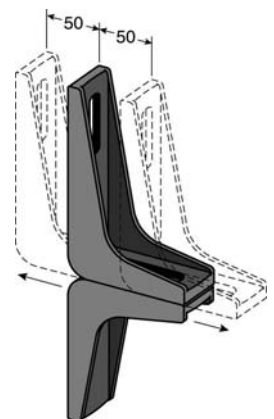
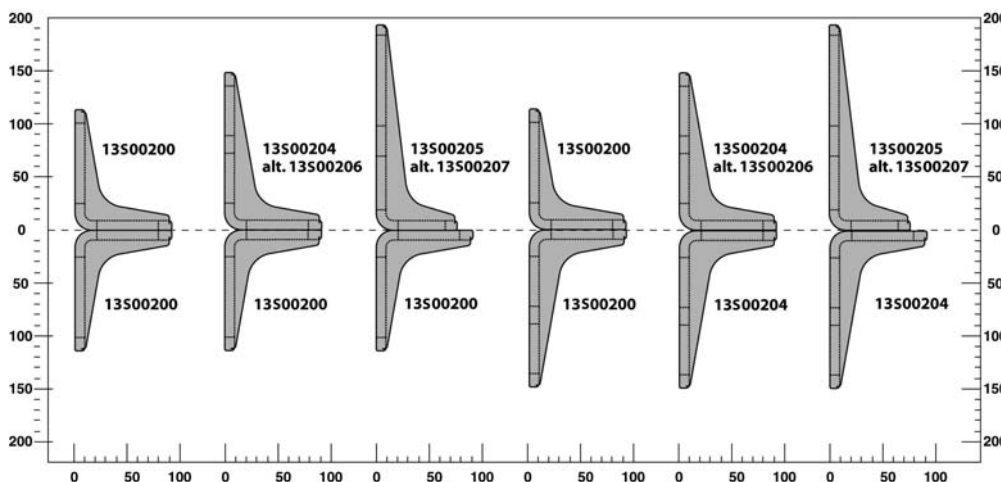


DOUBLE SLOT BRACKET

Code	Ref.		Material	
13500204	VG-245-J-BK	n°10	PA	Black
13500340	VG-245-J-GR			Grey

Hardware not included

Combinations



Polyamide bracket

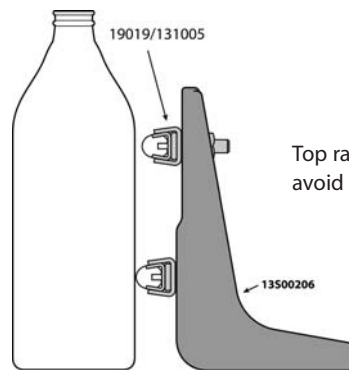
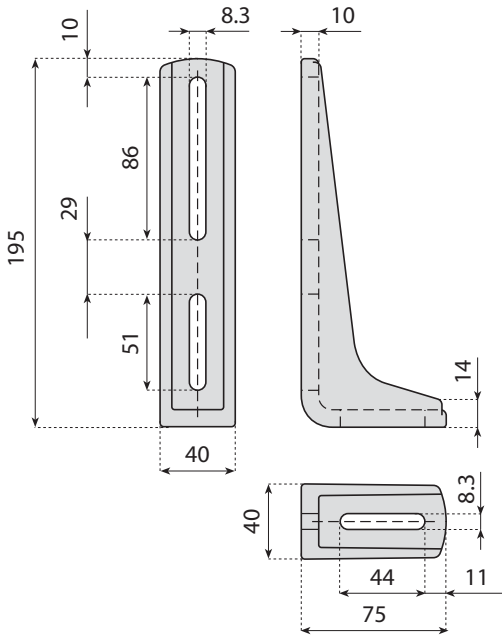
 Preferred type, readily available (codes marked in red)



Polyamide



[Accessories](#)

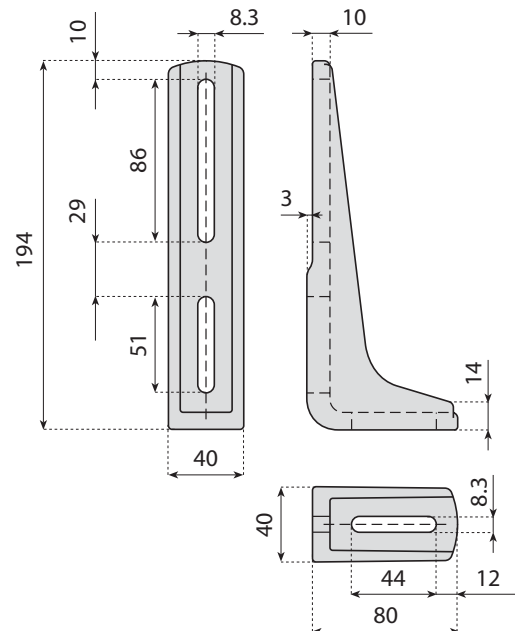
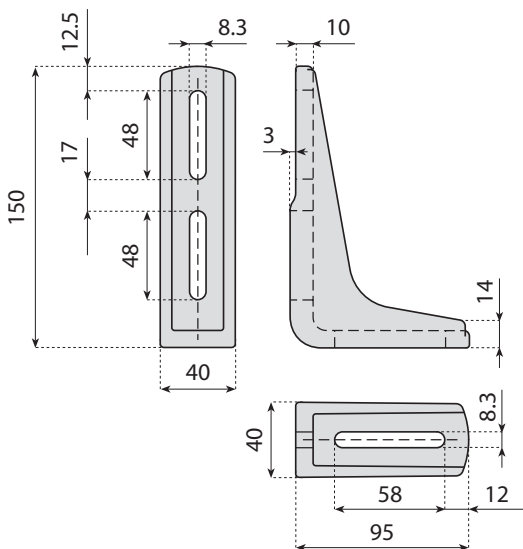


Top rail is intentionally set back to avoid container contact.

DOUBLE SLOT BRACKET

Code	Ref.		Material	
13S00205	VG-245-K-BK	n°10	PA	Black
13S00341	VG-245-K-GR			Grey

Hardware not included



DOUBLE SLOT BRACKET

Code	Ref.		Material	
13S00206	VG-245-L-BK	n°10	PA	Black
13S00342	VG-245-L-GR			Grey

Hardware not included

DOUBLE SLOT BRACKET

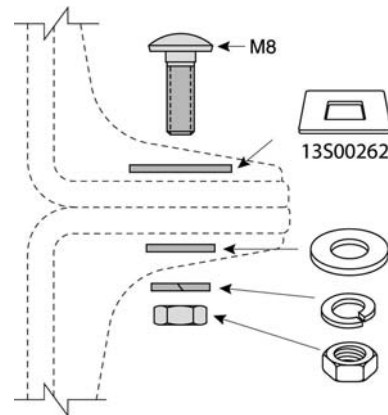
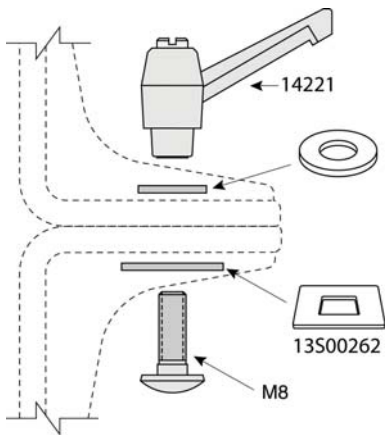
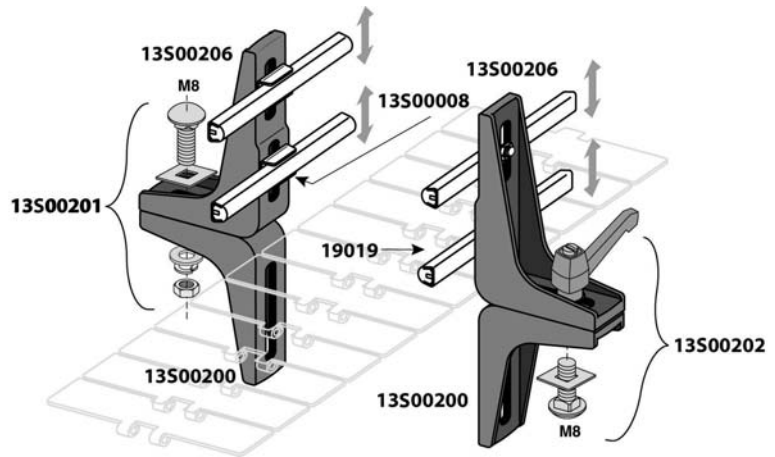
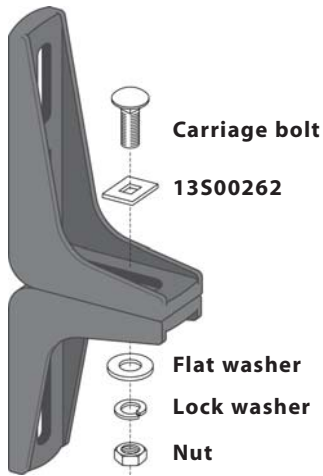
Code	Ref.		Material	
13S00207	VG-245-M-BK	n°10	PA	Black
13S00343	VG-245-M-GR			Grey

Hardware not included

Polyamide bracket



Preferred type, readily available (codes marked in red)



HARDWARE ASSEMBLIES

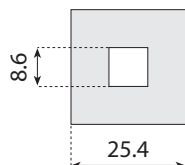
Code	Ref.		Material
13S00202	VG-245-HDW-02-M8	n°10	SS

HARDWARE ASSEMBLIES

Code	Ref.		Material
13S00201	VG-245-HDW-03-M8	n°10	SS

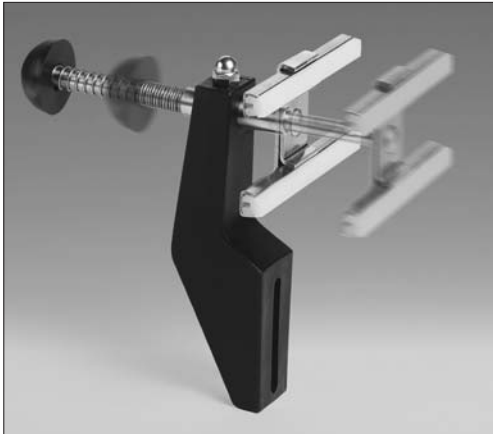
STAINLESS STEEL SQUARE WASHER

Stainless steel square washer (13S00262) recommended for use with M8 carriage bolts.



Code	Ref.		Material
13S00262	VG-245-WSH-S	n°10	SS

SpeedSet™



SPEEDSET™

Adjusts to 3 container sizes! SpeedSet™ brackets offer preset conveyor guide rail adjustability that is fast and accurate without the need for tools. A simple push on the end knob moves the pin, clamp and guide rail. Spacing blocks, cut to the length needed, accurately hold the pin and guide rail in position.



Saves time and money

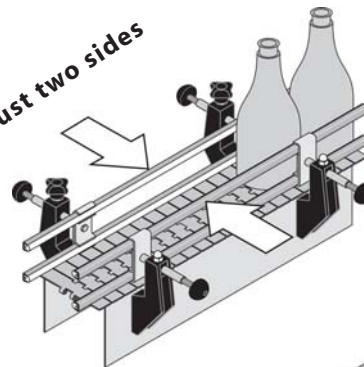


No tools required

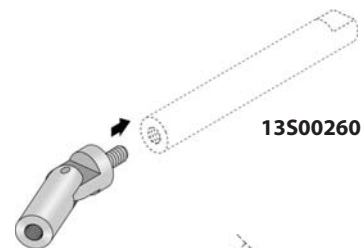
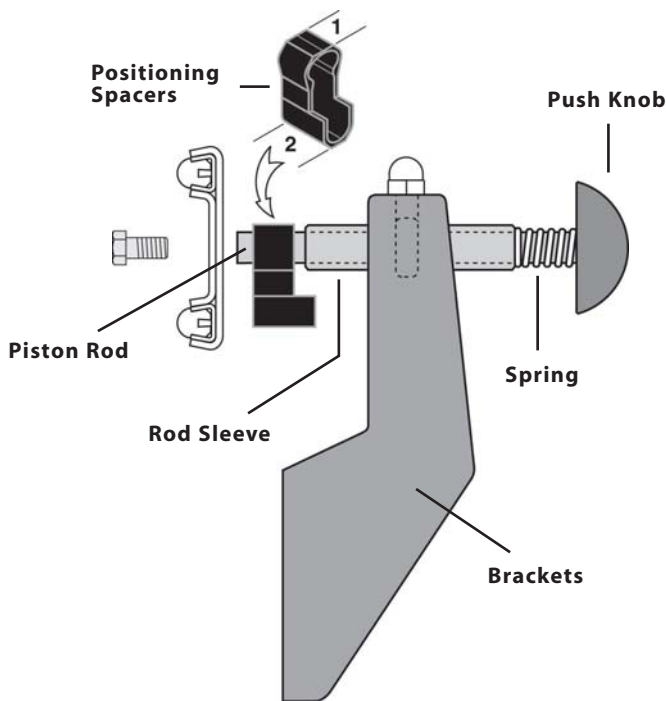
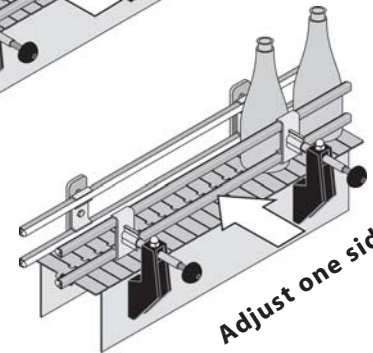


Par. # 5,819,911
Par. # 5,967,295
Par. # 6,135,271
Par. # 6,533,110 (USA)

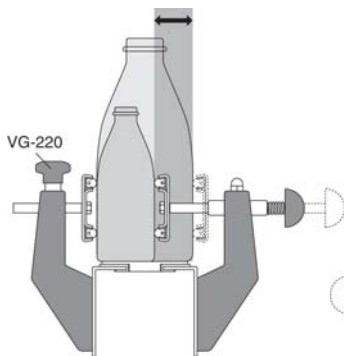
Adjust two sides



Adjust one sides

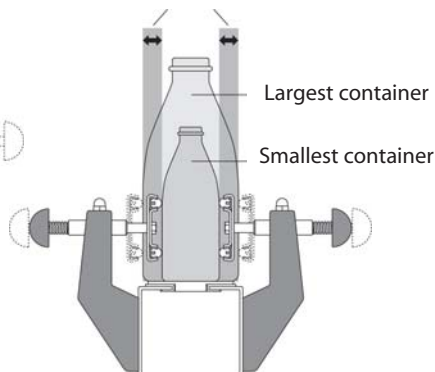


Range of travel

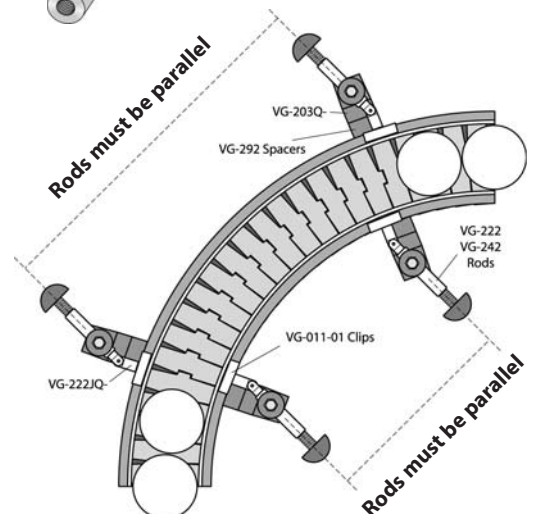


Single side adjusting

Range of travel

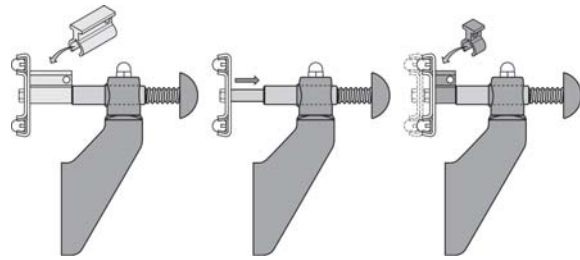
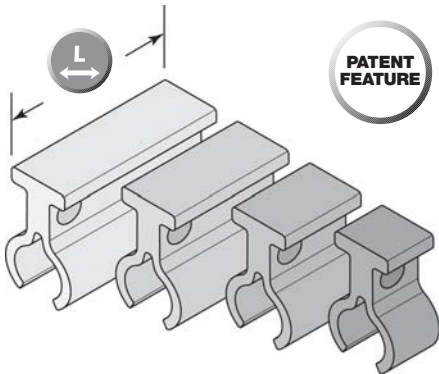





Double side adjusting



SpeedSet™

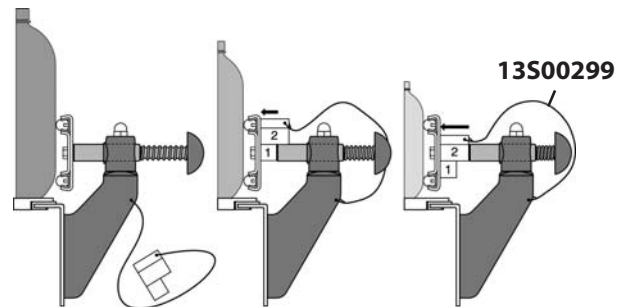
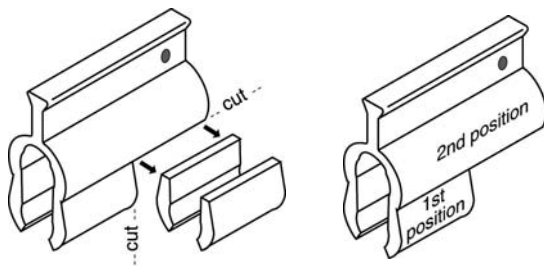
 Preferred type, readily available (codes marked in red)





Code	Ref.			
13S00292	VG-QSC-10M	10 mm		Red
13S00293	VG-QSC-12M	12 mm		Blue
13S00294	VG-QSC-16M	16 mm		Black
13S00295	VG-QSC-20M	20 mm	n°10	Green
13S00296	VG-QSC-25M	25 mm		Purple
13S00297	VG-QSC-30M	30 mm		Orange
13S00298	VG-QSC-40M	40 mm		Gray

QSC - COLOR CLIP

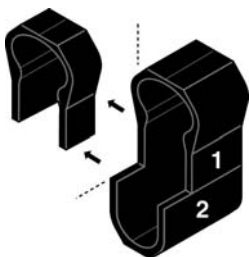
Can be connected to the bracket or the machine with the VG-QT tether.



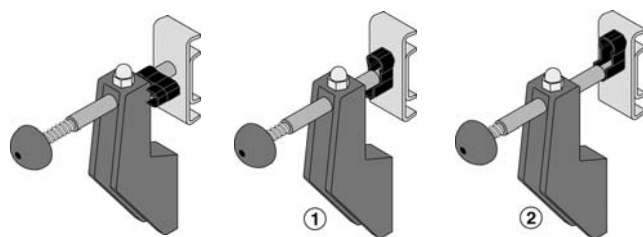
Code	Ref.		
13S00288	VG-QSB-25M	25 mm	n°10
13S00289	VG-QSB-40M	40 mm	n°10
13S00291	VG-QSB-65M	65 mm	n°10
13S00290	VG-QSB-450M	450 mm	n°1
13S00299	VG-QT-01	225 mm	n°10



QSB - CLIP-ON SPACER

Cut to length as needed. Can be connected to the bracket or the machine with the VG-QT tether. Also available in bars of 450 mm.



Par. # 6,533,110 (USA)



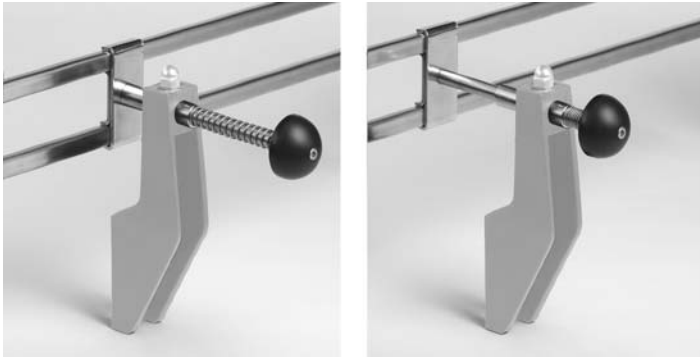
Code	Ref.		
13S00284	VG-QPC-25M	25 mm	n°10
13S00285	VG-QPC-40M	40 mm	n°10
13S00287	VG-QPC-65M	65 mm	n°10
13S00286	VG-QPC-450M	450 mm	n°1

QPC - COLLAR POSITIONING SPACER

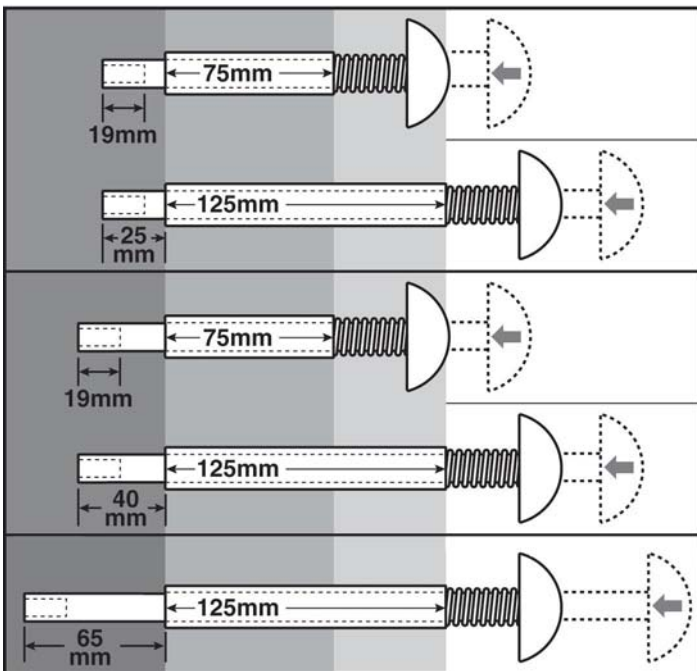
Cut to length as needed. Hangs free on the pin when not in use. Available in 450mm lengths.


SpeedSet™

 Preferred type, readily available (codes marked in red)

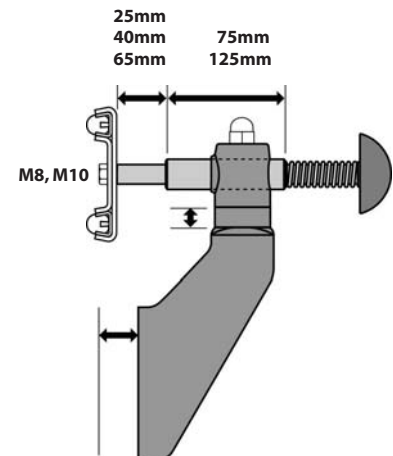
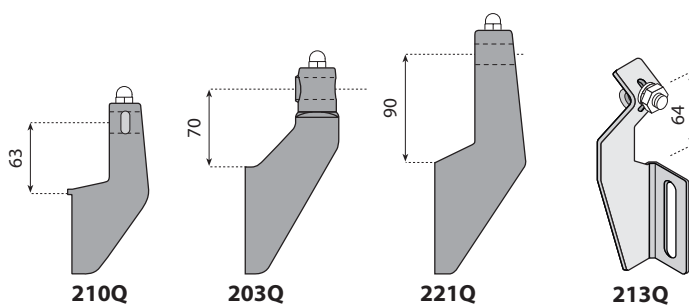


SPEEDSET™ CARTRIDGES
Adjustment range (travel)



Travel	Code	Ref.	
0 - 25 mm	13S00275	VG-Q-03-10-M8	M8
	13S00274	VG-Q-03-10-M10	M10
0 - 25 mm	13S00279	VG-Q-05-10-M8	M8
	13S00278	VG-Q-05-10-M10	M10
0 - 40 mm	13S00277	VG-Q-03-15-M8	M8
	13S00276	VG-Q-03-15-M10	M10
0 - 40 mm	13S00281	VG-Q-05-15-M8	M8
	13S00280	VG-Q-05-15-M10	M10
0 - 65 mm	13S00283	VG-Q-05-25-M8	M8
	13S00282	VG-Q-05-25-M10	M10

SPEEDSET OPTIONS





Accessories



Stainless steel

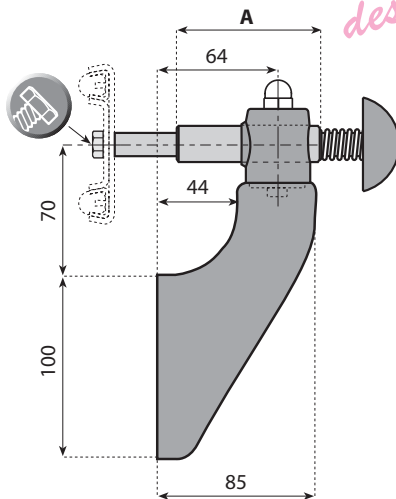


Polyamide



Size
hex head bolt

New design

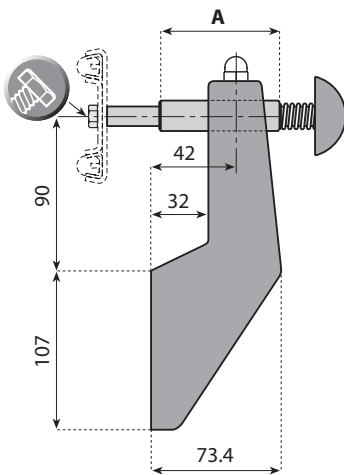


SWIVEL TOP POLYAMIDE SPEEDSET BRACKETS

Material: Push knob and brackets in polyamide; spring in stainless steel.

Travel	Code	Ref.	A		
0 - 25 mm	13S00300	VG-203Q-03-10-M8	75	M8	n°4
	13S00263	VG-203Q-03-10-M10	75	M10	
	13S00302	VG-203Q-05-10-M8	125	M8	
	13S00301	VG-203Q-05-10-M10	125	M10	
0 - 40 mm	13S00264	VG-203Q-03-15-M8	75	M8	n°4
	13S00303	VG-203Q-03-15-M10	75	M10	
	13S00304	VG-203Q-05-15-M8	125	M8	
	13S00265	VG-203Q-05-15-M10	125	M10	
0 - 65 mm	13S00267	VG-203Q-05-25-M8	125	M8	n°4
	13S00266	VG-203Q-05-25-M10	125	M10	

* Collar Positioning Spacer Included with each SpeedSet Bracket !

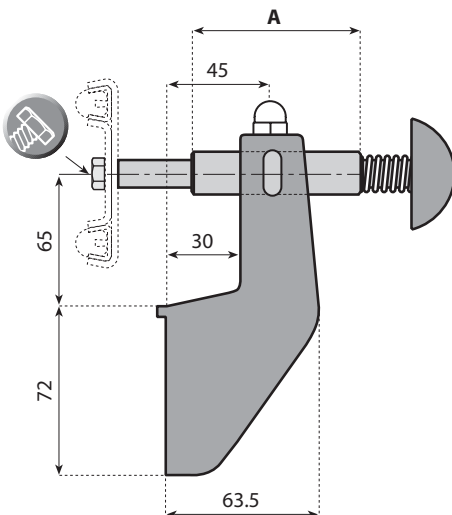


POLYAMIDE SPEEDSET BRACKETS

Material: Push knob and brackets in polyamide; spring in stainless steel.

Travel	Code	Ref.	A		
0 - 25 mm	13S00271	VG-221Q-03-10-M8	75	M8	n°4
	13S00270	VG-221Q-03-10-M10	75	M10	
	13S00335	VG-221Q-05-10-M8	125	M8	
	13S00334	VG-221Q-05-10-M10	125	M10	
0 - 40 mm	13S00337	VG-221Q-03-15-M8	75	M8	n°4
	13S00336	VG-221Q-03-15-M10	75	M10	
	13S00339	VG-221Q-05-15-M8	125	M8	
	13S00338	VG-221Q-05-15-M10	125	M10	
0 - 65 mm	13S00273	VG-221Q-05-25-M8	125	M8	n°4
	13S00272	VG-221Q-05-25-M10	125	M10	

* Collar Positioning Spacer Included with each SpeedSet Bracket !



POLYAMIDE SPEEDSET BRACKETS

Material: Push knob and brackets in polyamide; spring in stainless steel.

Travel	Code	Ref.	A		
0 - 25 mm	13S00325	VG-210Q-03-10-M8	75	M8	n°4
	13S00324	VG-210Q-03-10-M10	75	M10	
	13S00327	VG-210Q-05-10-M8	125	M8	
	13S00326	VG-210Q-05-10-M10	125	M10	
0 - 40 mm	13S00329	VG-210Q-03-15-M8	75	M8	n°4
	13S00328	VG-210Q-03-15-M10	75	M10	
	13S00331	VG-210Q-05-15-M8	125	M8	
	13S00330	VG-210Q-05-15-M10	125	M10	
0 - 65 mm	13S00333	VG-210Q-05-25-M8	125	M8	n°4
	13S00332	VG-210Q-05-25-M10	125	M10	

* Collar Positioning Spacer Included with each SpeedSet Bracket !

SpeedSet™



Accessories



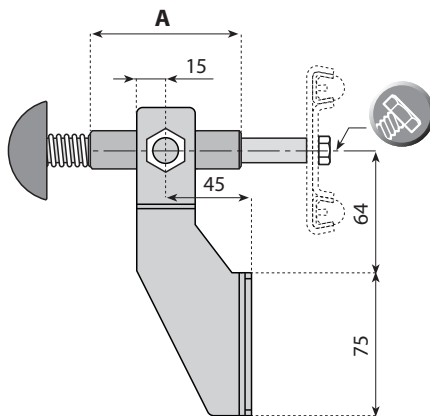
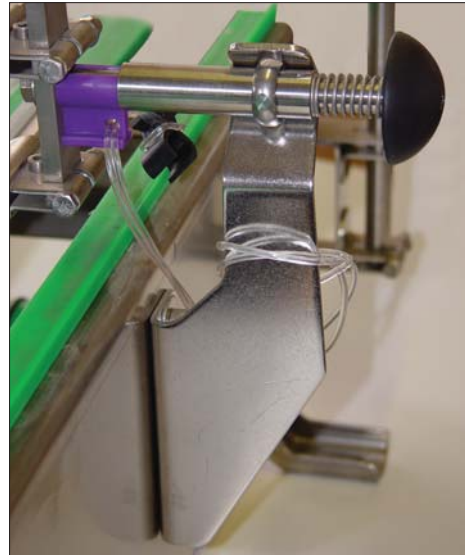
Stainless steel



Polyamide



Size
hex head bolt

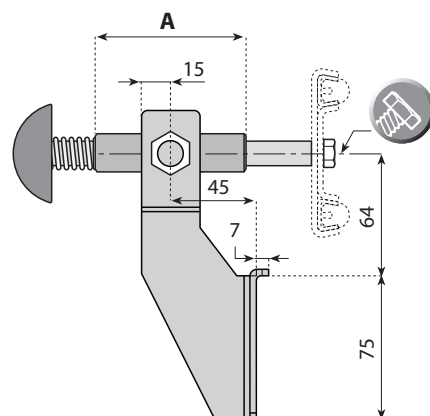


STAINLESS STEEL SPEEDSET BRACKETS

Material: Brackets and spring in stainless steel; push in polyamide.

Travel	Code	Ref.	A		
0 - 25 mm	13S00269	VG-213Q-03-10-M8	75	M8	n°4
	13S00305	VG-213Q-03-10-M10	75	M10	
	13S00307	VG-213Q-05-10-M8	125	M8	
	13S00306	VG-213Q-05-10-M10	125	M10	
0 - 40 mm	13S00309	VG-213Q-03-15-M8	75	M8	n°4
	13S00308	VG-213Q-03-15-M10	75	M10	
	13S00311	VG-213Q-05-15-M8	125	M8	
	13S00310	VG-213Q-05-15-M10	125	M10	
0 - 65 mm	13S00313	VG-213Q-05-25-M8	125	M8	n°4
	13S00312	VG-213Q-05-25-M10	125	M10	

* Collar Positioning Spacer Included with each SpeedSet Bracket!



STAINLESS STEEL SPEEDSET BRACKETS

Material: Brackets and spring in stainless steel; push knob in polyamide.

Travel	Code	Ref.	A		
0 - 25 mm	13S00315	VG-213TQ-03-10-M8	75	M8	n°4
	13S00314	VG-213TQ-03-10-M10	75	M10	
	13S00317	VG-213TQ-05-10-M8	125	M8	
	13S00316	VG-213TQ-05-10-M10	125	M10	
0 - 40 mm	13S00319	VG-213TQ-03-15-M8	75	M8	n°4
	13S00318	VG-213TQ-03-15-M10	75	M10	
	13S00321	VG-213TQ-05-15-M8	125	M8	
	13S00320	VG-213TQ-05-15-M10	125	M10	
0 - 65 mm	13S00323	VG-213TQ-05-25-M8	125	M8	n°4
	13S00322	VG-213TQ-05-25-M10	125	M10	

* Collar Positioning Spacer Included with each SpeedSet Bracket!

Rod mounts with tabs

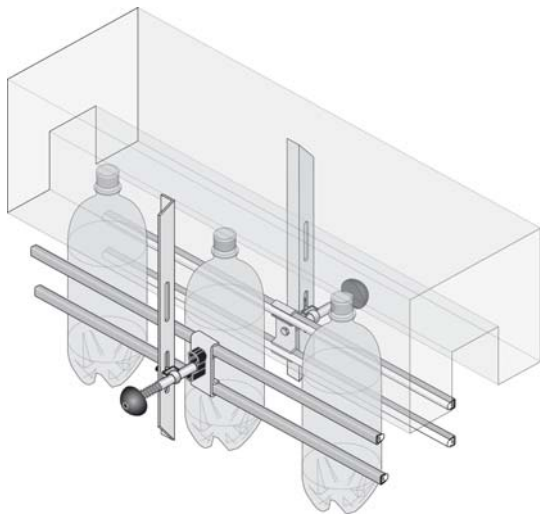
 Preferred type, readily available (codes marked in red)



Stainless steel



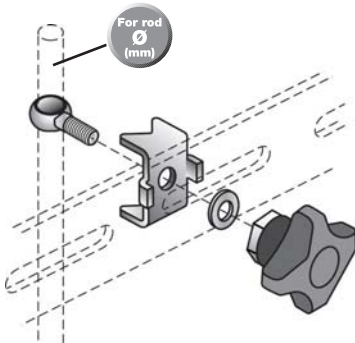
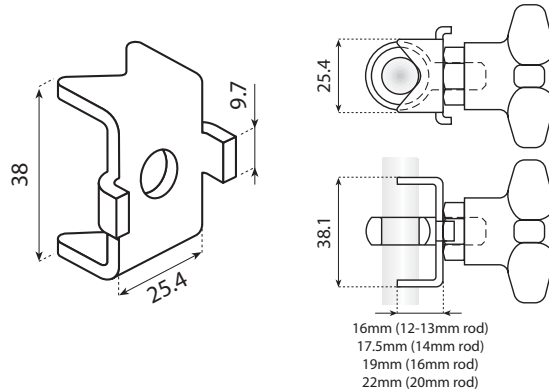
Polyamide



VALU GUIDE ROD MOUNTS

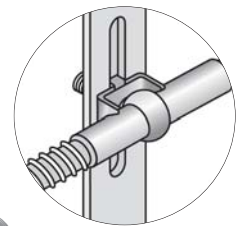
New Valu Guide Rod Mounts, used for holding and positioning adjusting rods. These strong, yet economical mounts are available in a selection of rod diameter sizes, fixed or rotating configurations, and various tightening methods.


Positioning tabs lock the rod to brackets slots at 90°.

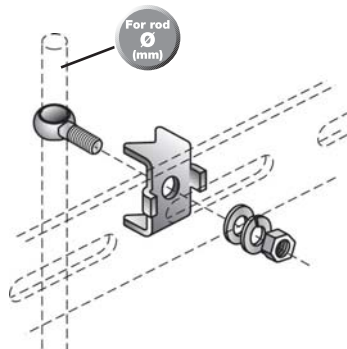


ROD MOUNTS WITH TABS

Material: rod mounts in stainless steel, eyebolt and washer in stainless steel, knob in polyamide with nickel plated brass insert.




Code	Ref.	For rod Ø (mm)	
13S00162	VG-641T-K-12	12-13	
13S00163	VG-641T-K-14	14	n°8
13S00165	VG-641T-K-58	16	
13S00164	VG-641T-K-20	20	

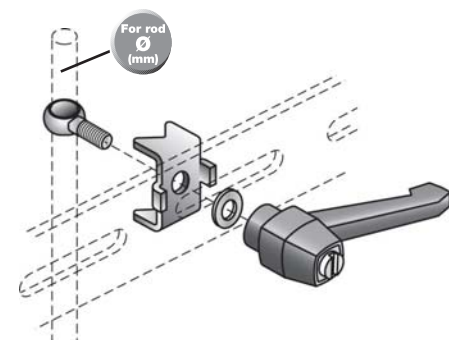


ROD MOUNTS WITH TABS

Material: all components are in stainless steel.


Code	Ref.	For rod Ø (mm)	
13S00166	VG-641T-N-12	12-13	
13S00167	VG-641T-N-14	14	n°8
13S00169	VG-641T-N-58	16	
13S00168	VG-641T-N-20*	20*	

* Ø20 version can be converted to SpeedSet brackets.



ROD MOUNTS WITH TABS

Material: rod mounts, eyebolt and washer in stainless steel knob in polyamide with nickel plated brass insert.

Code	Ref.	For rod Ø (mm)	
13S00170	VG-641T-R-12	12-13	
13S00171	VG-641T-R-14	14	n°8
13S00173	VG-641T-R-58	16	
13S00172	VG-641T-R-20	20	

Rod mounts without tabs

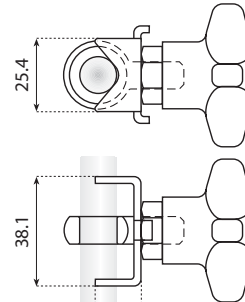
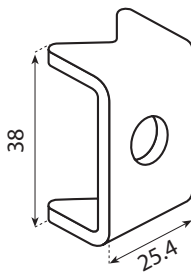
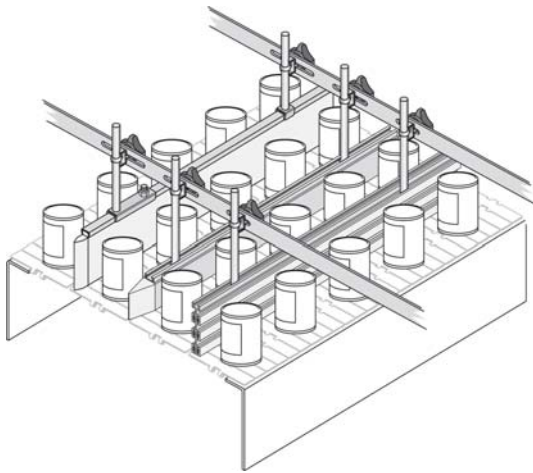
Preferred type, readily available (codes marked in red)



Stainless steel



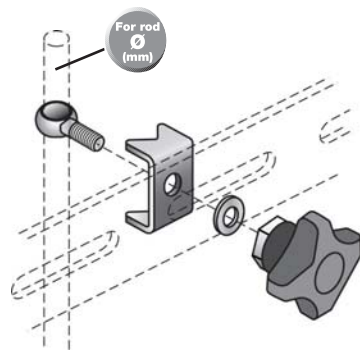
Polyamide



16mm (12-13mm rod)
17.5mm (14mm rod)
19mm (16mm rod)
22mm (20mm rod)

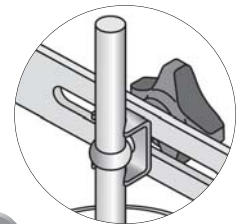
VALU GUIDE ROD MOUNTS

New Valu Guide Rod Mounts, used for holding and positioning adjusting rods. These strong, yet economical mounts are available in a selection of rod diameter sizes, fixed or rotating configurations, and various tightening methods. **Rod can be rotated to any angle desired.**

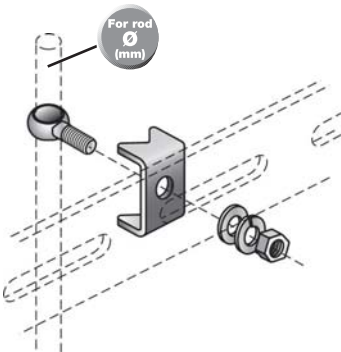


ROD MOUNTS WITH TABS

Material: rod mounts eyebolt and washer are in stainless steel, knob in polyamide with nickel plated brass insert.



Code	Ref.	For rod Ø (mm)	
13S00150	VG-641-K-12	12-13	n°8
13S00151	VG-641-K-14	14	
13S00153	VG-641-K-58	16	
13S00152	VG-641-K-20	20	

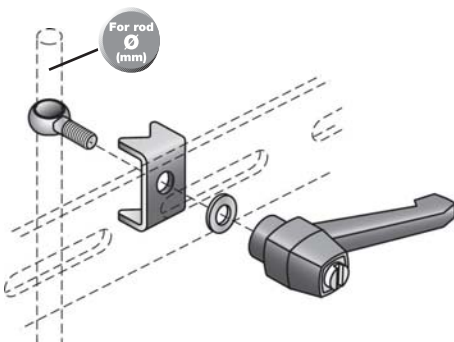


ROD MOUNTS WITH TABS

Material: all components are in stainless steel.

Code	Ref.	For rod Ø (mm)	
13S00154	VG-641-N-12	12-13	n°8
13S00155	VG-641-N-14	14	
13S00157	VG-641-N-58	16	
13S00156	VG-641-N-20*	20*	

* Ø20 version can be converted to SpeedSet brackets.



ROD MOUNTS WITH TABS

Material: rod mounts, eyebolt and washer in stainless steel, knob in polyamide with nickel plated brass insert.

Code	Ref.	For rod Ø (mm)	
13S00158	VG-641-R-12	12-13	n°8
13S00159	VG-641-R-14	14	
13S00161	VG-641-R-58	16	
13S00160	VG-641-R-20	20	

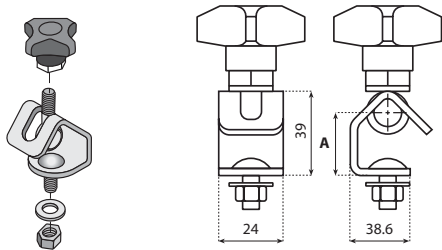
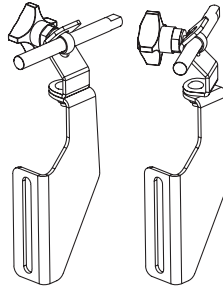
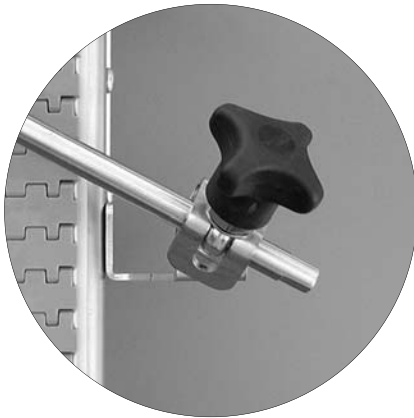
Stainless steel swivel caps

 Preferred type, readily available (codes marked in red)

SS 304
AISI 304
Stainless steel


PA
Polyamide


Heavy duty



ROTATING TOP FOR STAINLESS STEEL BRACKET


Material: body in stainless steel, eyebolt and washer in stainless steel, knob in polyamide with nickel plated brass insert.

Code	Ref.	A	For rod Ø (mm)	
13S00017	VG-213R-TOP-12	29	12-13	n°8
13S00018	VG-213R-TOP-14	27.5	14	
13S00019	VG-213R-TOP-58	26	16	
13S00074	VG-213R-TOP-20	24	20*	

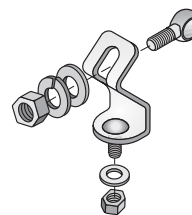
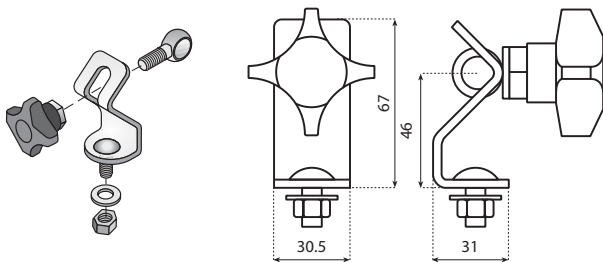
* Ø20 versions can be converted to SpeedSet brackets.

ROTATING TOP WITH NUT FASTENER FOR STAINLESS STEEL BRACKETS

Material: body and hardware in stainless steel.


Code	Ref.	A	For rod Ø (mm)	
13S00014	VG-213RN-TOP-12	29	12-13	n°8
13S00073	VG-213RN-TOP-14	27.5	14	
13S00016	VG-213RN-TOP-58	26	16	
13S00015	VG-213RN-TOP-20	24	20*	

* Ø20 versions can be converted to SpeedSet brackets.



ROTATING TOP FOR HEAVY DUTY STAINLESS STEEL BRACKET


Material: body in stainless steel, eyebolt and washer in stainless steel, knob in polyamide with nickel plated brass insert.
Characteristics: Heavy duty

Code	Ref.	For rod Ø (mm)	
13S00069	VG-223R-TOP-12	12-13	n°8
13S00070	VG-223R-TOP-14	14	
13S00072	VG-223R-TOP-58	16	
13S00071	VG-223R-TOP-20	20*	

* Ø20 versions can be converted to SpeedSet brackets.

ROTATING TOP WITH NUT FASTENER FOR HEAVY DUTY STAINLESS STEEL BRACKET

Material: body and hardware in stainless steel.
Characteristics: Heavy duty

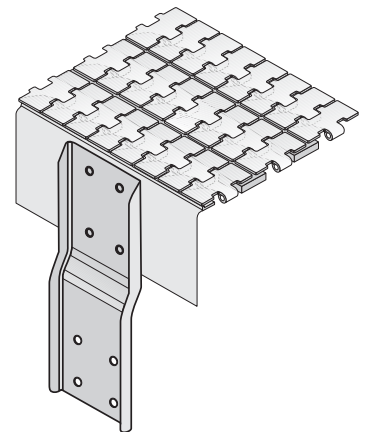
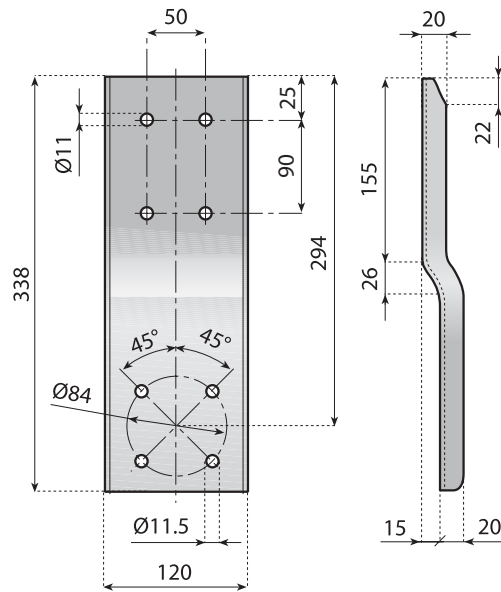
Code	Ref.	For rod Ø (mm)	
13S00065	VG-223RN-TOP-12	12-13	n°8
13S00066	VG-223RN-TOP-14	14	
13S00068	VG-223RN-TOP-58	16	
13S00067	VG-223RN-TOP-20	20*	

* Ø20 versions can be converted to SpeedSet brackets.

Stainless steel components

Preferred type, readily available (codes marked in red)

SS 304
AISI 304
Stainless steel



SIDE MOUNTING BRACKET

Thickness: $S = 3$ mm.
Surface: tumbling finish.
Use: connects and supports conveyor frames.

Code

13812



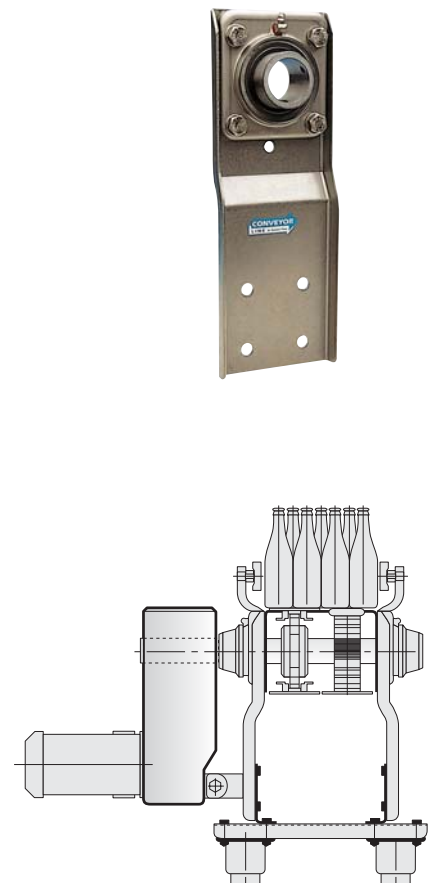
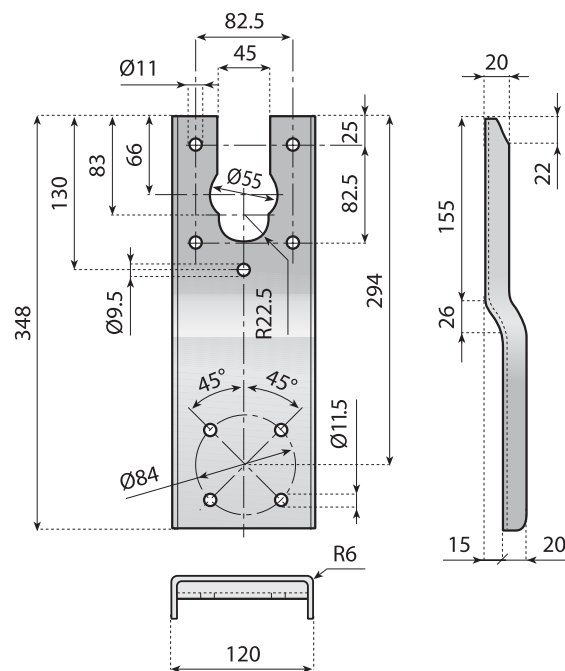
-



n°10



SS
AISI 304



SIDE MOUNTING BRACKET

Thickness: $S = 3$ mm.
Surface: tumbling finish.
Use: location of stainless steel bearing support on conveyor frames.

Code

13813



-



n°10



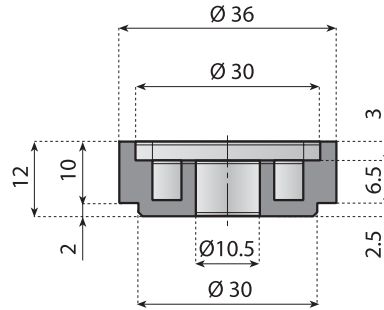
SS
AISI 304

Adjustable heads and spacer

 Preferred type, readily available (codes marked in red)



Reinforced polyamide



SPACER FOR ADJUSTABLE HEADS

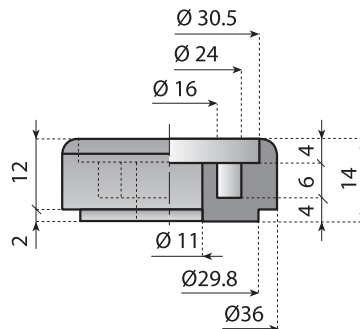
Code

13752



Material

PA-FG



SPACER FOR ADJUSTABLE HEADS

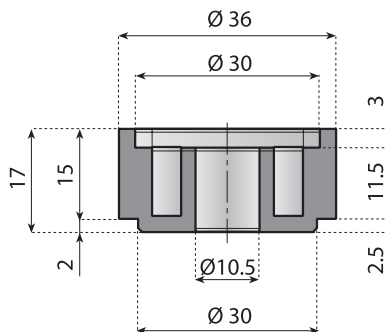
Code

13753



Material

PA-FG



SPACER FOR ADJUSTABLE HEADS

Code

13758



Material

PA-FG

Adjustable heads



Preferred type, readily available (codes marked in red)



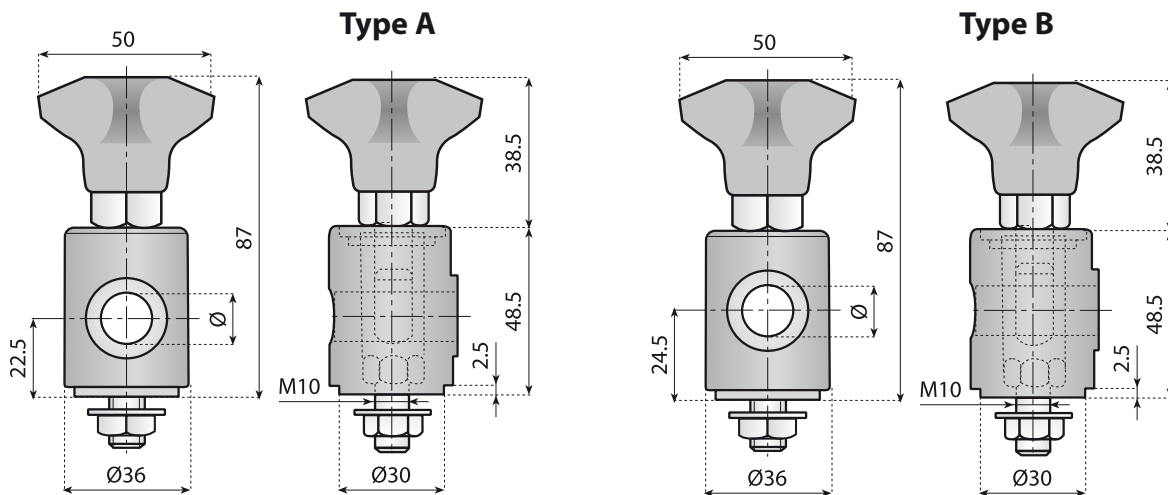
AISI 304
Stainless steel



Polyamide



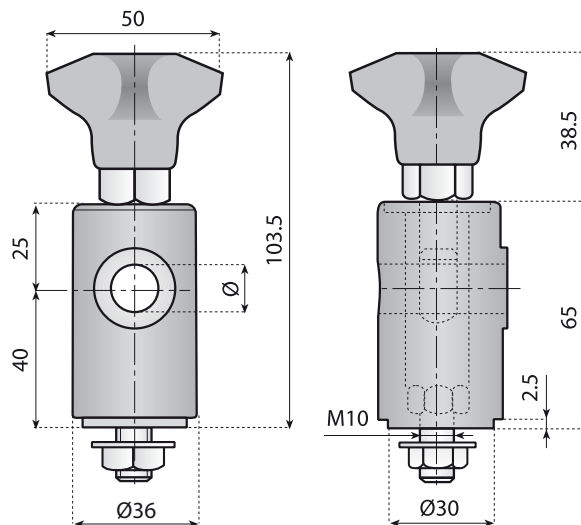
Accessories



ADJUSTABLE HEAD WITH KNOB

Material: reinforced polyamide, eye-bolt, screw, washer in stainless steel AISI 304, nut and hexagonal bushing in nickel plated brass.

Code		Type	For rod Ø (mm)	
Head with knob	Head without knob			
13037V	13037	A	12	
13038V	13038	A	14	
13039V	13039	A	16	n°50
13999V	13999	B	19	
13988V	13988	B	20	

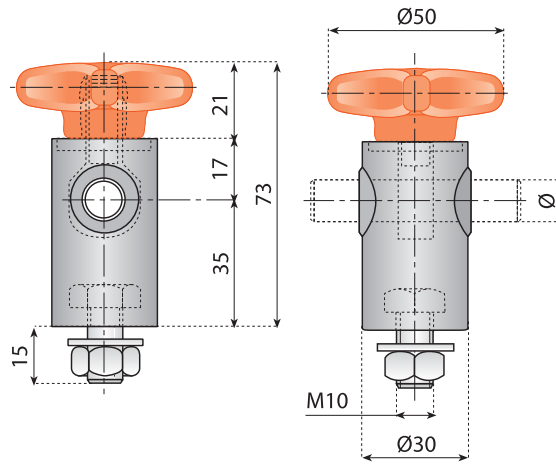


ADJUSTABLE HEAD WITH KNOB NEW TALLER VERSION

Material: reinforced polyamide, eye-bolt, screw, nut and washer in stainless steel AISI 304, hexagonal bushing in nickel plated brass.

Code		Type	For rod Ø (mm)	
Head with knob	Head without knob			
13781V	13781		12	
13782V	13782		14	n°50
13783V	13783		16	

Adjustable heads



AISI 304
Stainless steel



Nickel plated brass



Polyamide

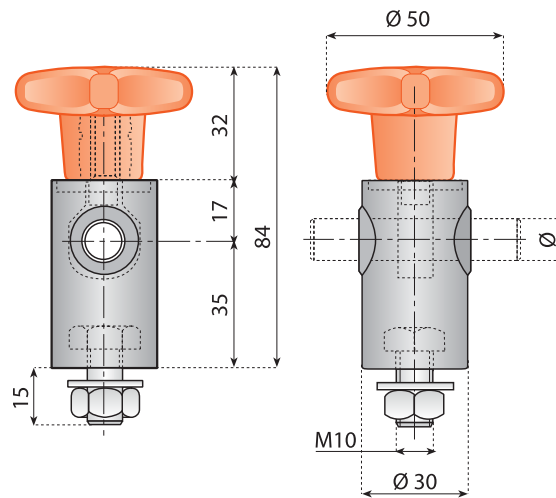


Accessories

QUICK POSITIONING ADJUSTABLE HEADS

Material: housing in reinforced polyamide; bolts and hardware in stainless steel; knobs in reinforced polyamide with brass bushing.

Code	For rod Ø (mm)	
13296V	12	n°50
13297V	14	



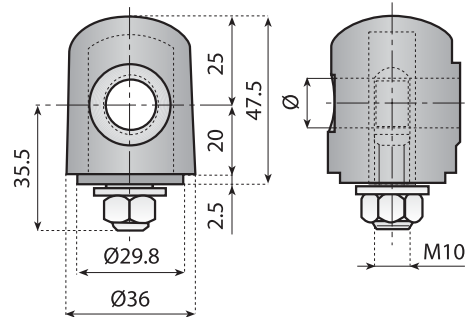
QUICK POSITIONING ADJUSTABLE HEADS

Material: housing in reinforced polyamide; bolts and hardware in stainless steel; knobs in reinforced polyamide with brass bushing.

Code	For rod Ø (mm)	
13296VA	12	n°50
13297VA	14	

Adjustable heads

Preferred type, readily available (codes marked in red)



AISI 304
Stainless steel



Nickel plated brass



Polyamide

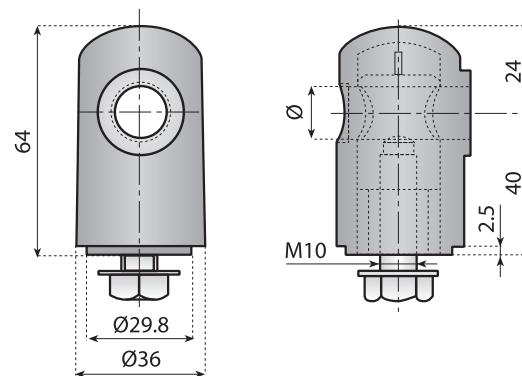


Accessories

ADJUSTABLE HEAD

Material: reinforced polyamide; eyebolt, nut and washer in stainless steel AISI 304.

Code	For rod Ø (mm)	
13028	12	
13029	14	n°50
13030	16	



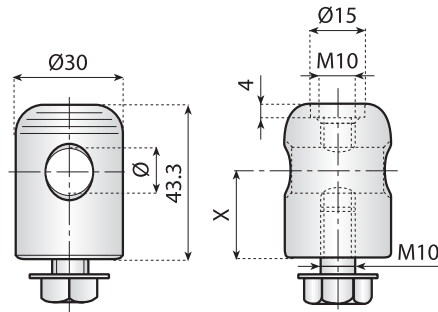
ADJUSTABLE HEAD

Material: head in reinforced polyamide, Insert in nickel plated brass, screw and washer in stainless steel AISI 304.

Code	For rod Ø (mm)	
13017	12	
13018	14	n°50
13016	16	

Adjustable heads

 Preferred type, readily available (codes marked in red)



Code	Head material	X	For rod Ø (mm)	
13031	Nickel	24.5	12	
13032	plated brass	23.5	14	n°50
13033		22.5	16	
13034	Stainless steel	24.5	12	
13035	AISI 304	23.5	14	n°50
13036		22.5	16	

ADJUSTABLE HEAD

Material: screws and washer in stainless steel AISI 304; head as in the table.



AISI 304
Stainless steel



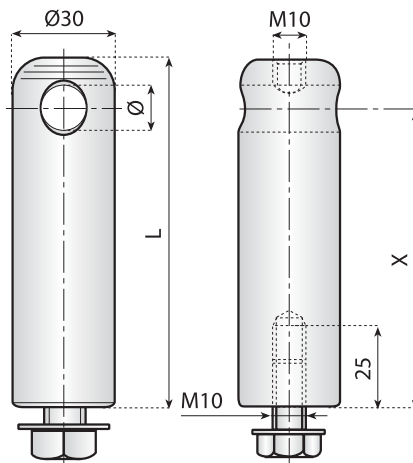
Nickel plated brass



Polyamide



Accessories



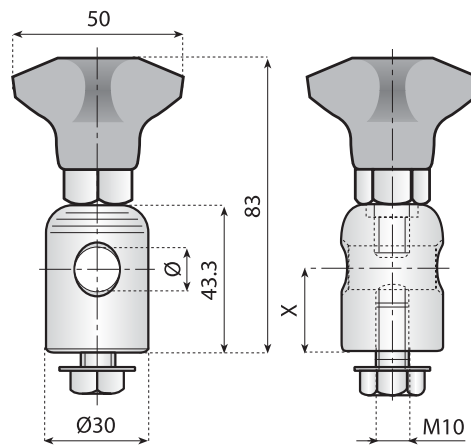
Code	L	X	For rod Ø (mm)	
13121	55	40		
13124	75	60	12	n°50
13127	105	90		
13130	145	130		
13122	56	40		
13125	76	60	14	n°50
13128	106	90		
13131	146	130		
13123	57	40		
13126	77	60	16	n°50
13129	107	90		
13132	147	130		

ADJUSTABLE HEAD

Material: screws and heads in stainless steel AISI 304.

Adjustable heads

Preferred type, readily available (codes marked in red)



Code	Head material	X	For rod Ø (mm)	
13031V	Nickel plated brass	24.5	12	n°50
13032V		23.5	14	
13033V		22.5	16	
13034V	Stainless steel AISI 304	24.5	12	n°50
13035V		23.5	14	
13036V		22.5	16	

ADJUSTABLE HEAD WITH KNOB

Material: screws and washer in stainless steel AISI 304, head as in the table, knob in polyamide with hexagonal bushing in nickel plated brass.



AISI 304
Stainless steel



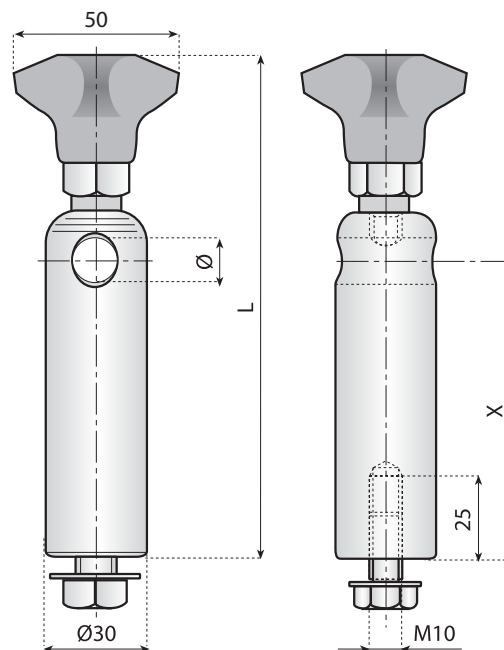
Nickel plated brass



Polyamide



Accessories



Code	L	X	For rod Ø (mm)	
13121V	100	40	12	n°50
13124V	120	60		
13127V	150	90		
13130V	190	130	14	n°50
13122V	101	40		
13125V	121	60		
13128V	151	90	16	n°50
13131V	191	130		
13123V	192	40		
13126V	122	60	16	n°50
13129V	152	90		
13132V	192	130		

ADJUSTABLE HEAD WITH KNOB

Material: screws and washer in stainless steel AISI 304, knob in polyamide with hexagonal bushing in nickel plated brass.

Quick release adjustable heads

 Preferred type, readily available (codes marked in red)

QUICK RELEASE ADJUSTABLE HEADS

For fast line changes the new head from System Plast provides simplicity and easy in achieving the accuracy needed in adjusting multiple stations simultaneously.

- This new patented part is perfect for applications where accurate and / or frequent adjustments are required.
- Fits 12-14 mm diameter adjusting rods.
- Corrosion resistance composite components.
- Ergonomic spring loaded design.

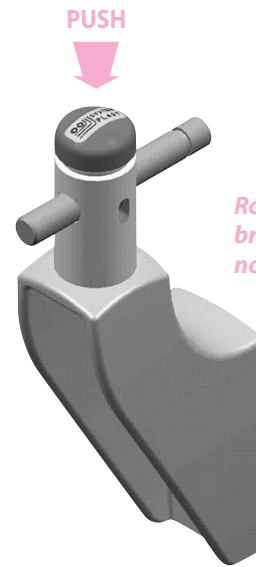
Components:

- External Housing (polyamide)
- Internal Housing (see the table)
- Closing Cap (polyamide)
- Spring (steel)
- Screw and washer (stainless steel AISI 304)
- Nut (nickel plated brass)

Advantages:

- Rapid adjustment of guides to accommodate the choice of bottle format.
- Quick and easy maintenance.

Supply: assembled.



AISI 304
Stainless steel



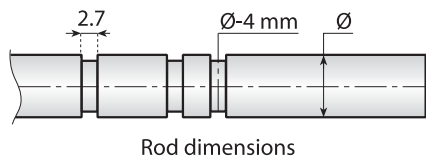
Nickel plated brass




Polyamide

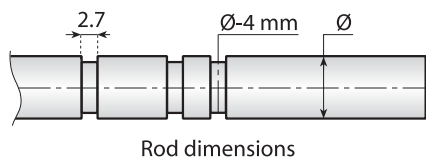
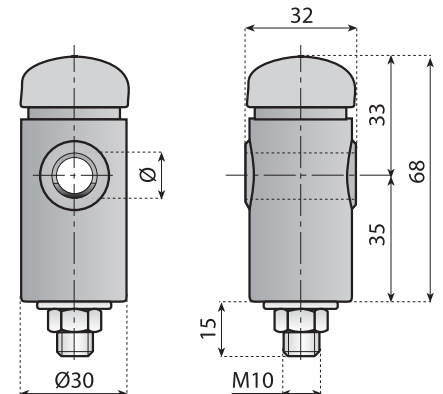


[Accessories](#)




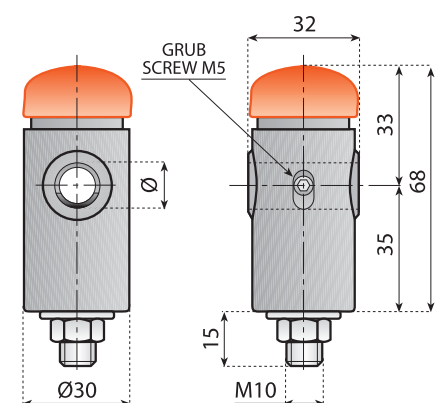
Rod dimensions

Code	Internal block	For rod Ø (mm)	
13300	Reinforced polyamide	12	n°50
13301	Nickel plated brass	14	n°50



Rod dimensions

Code	Internal block	For rod Ø (mm)	
13302FP	Nickel plated brass	12	n°50
13303FP	Nickel plated brass	14	n°50



For a correct use of these products and to get the best performance, please call our engineering experts.

Dual action adjustable heads



AISI 304
Stainless steel



Nickel plated brass



Polyamide



[Accessories](#)

DUAL ACTION ADJUSTABLE HEAD

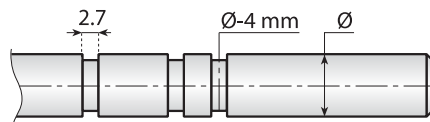
For fast line changes the new Dual Action Head from System Plast provides simplicity and easy in achieving the accuracy needed in adjusting multiple stations simultaneously. By simply rotating the quick release cap, the Dual Action Head is placed in a neutral, non clamping, position. The side guides and other rails can then be moved to the desired location before returning the quick release cap to its locked position.

- This new patented part is perfect for applications where accurate and / or frequent adjustments are required.
- Fits 12-14 mm diameter adjusting rods.
- Corrosion resistance composite components.
- Ergonomic spring loaded design.

Components:

- External Housing (polyamide)
- Internal Housing (see the table)
- Closing Cap (polyamide)
- Spring (steel)
- Screw and washer (stainless steel AISI 304)
- Nut (nickel plated brass)

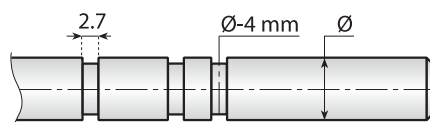
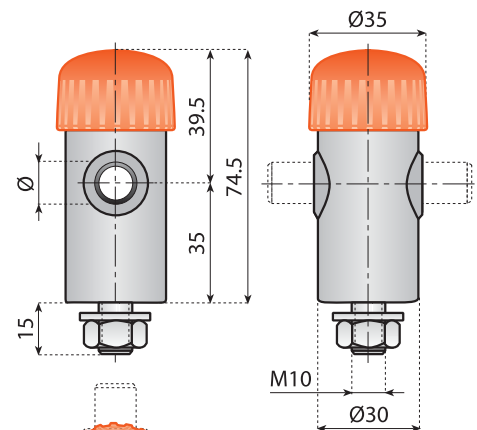
Supply: assembled.



Rod dimensions



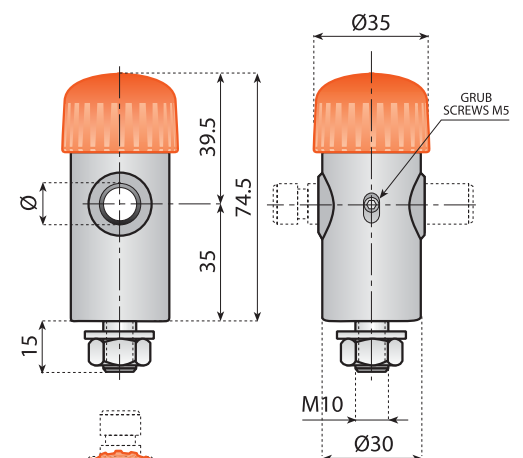
Code	Internal block	For rod Ø (mm)	
13296	Reinforced polyamide	12	n°50
13297	Nickel plated brass	14	n°50
13298	Reinforced polyamide	12	n°50
13299	Nickel plated brass	14	n°50



Rod dimensions



Code	Internal block	For rod Ø (mm)	
13298FP	Reinforced polyamide	12	n°50
13299FP	Nickel plated brass	14	n°50



For a correct use of these products and to get the best performance, please call our engineering experts.

Spacers

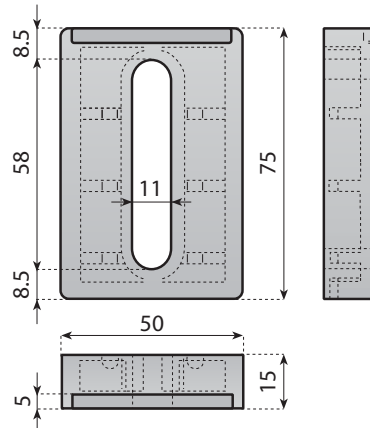
 Preferred type, readily available (codes marked in red)



Reinforced polyamide



Accessories



SPACER FOR BRACKETS

Application: bracket codes:

13692 - 13693 - 13696 - 13697 - 13769 - 13963
13633 - 13634 - 13635 - 13200 - 13201 - 13208
13209 - 13210.

Code

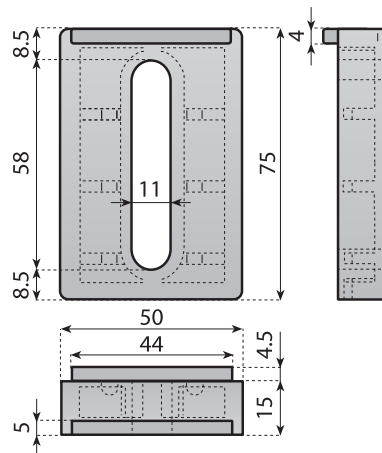


n°50

Material

PA-FG

13400



SPACER FOR BRACKETS

Application: bracket codes:

13692 - 13693 - 13696 - 13697 - 13769 - 13632
13633 - 13634 - 13635 - 13200 - 13201 - 13208
13209 - 13210 - 13040 - 13041 - 13042 - 13043
13044 - 13045 - 13046 - 13100 - 13101 - 13102
13047 - 13048 - 13049.

Code



n°50

Material

PA-FG

13399

Spacers

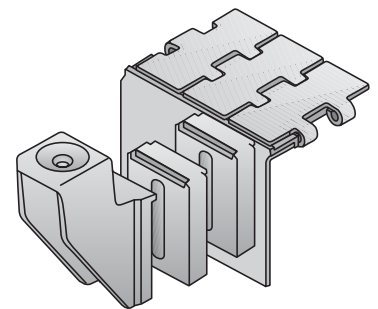
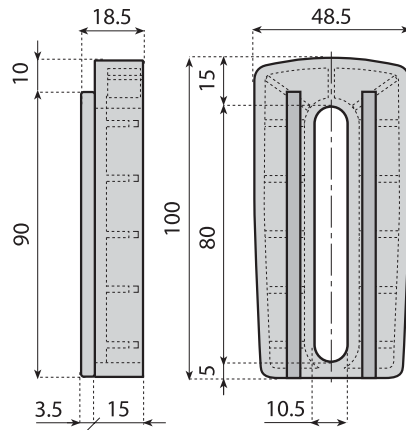
Preferred type, readily available (codes marked in red)



Reinforced polyamide



Accessories



SPACER FOR BRACKETS

Application: bracket codes:

- 13185 - 13530 - 13531 - 13532 - 13533
- 13534 - 13535 - 13536 - 13537 - 13538
- 13539 - 13540 - 13541 - 13542 - 13543
- 13544 - 13545 - 13546 13547.

Code

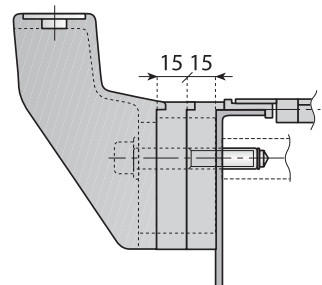
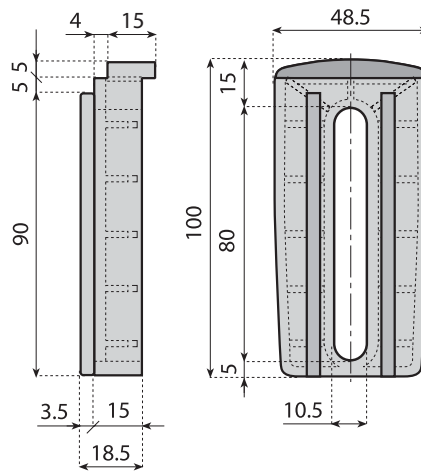


Material

13187

n°50

PA-FG



SPACER FOR BRACKETS

Application: bracket codes:

- 13186 - 13580 - 13581 - 13582 - 13583
- 13584 - 13585 - 13586 - 13587 - 13588
- 13589 - 13590 13591 - 13592 - 13593
- 13594 - 13595 - 13596 - 13597.

Code




Material

13188

n°50

PA-FG

Spacers

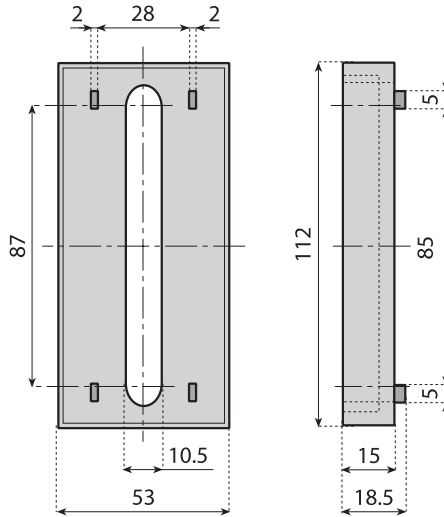
 Preferred type, readily available (codes marked in red)



SPACER FOR BRACKETS

Application: bracket codes:

13020 - 13021 - 13022 - 13023 - 13024
 13025 - 13026 - 13027 - 13050 - 13051
 13052 - 13054 - 13055 - 13056 - 13088
 13089 - 13746 - 13747 - 13748 - 13749
 13750 - 13751.



Code

13019



n°50

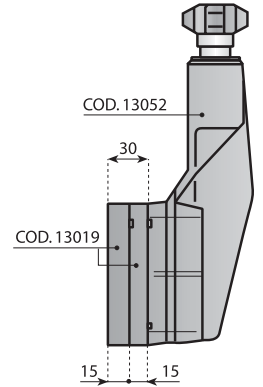


PA-FG

SS 304
 AISI 304
 Stainless steel

PA FG
 Reinforced
 polyamide

 208+224
[Accessories](#)

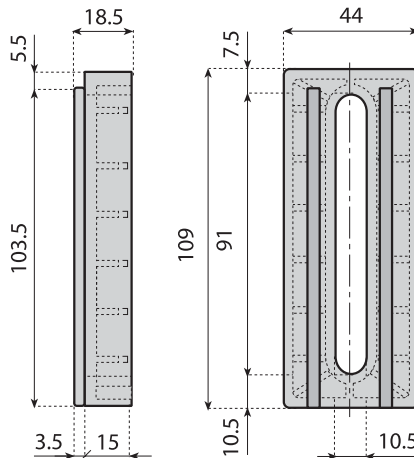


SPACER FOR BRACKETS

Material: reinforced polyamide

Application: bracket codes:

13020 - 13021 - 13088 - 13089 - 13847
 13848 - 13849 - 13054 - 13055 - 13056
 13886 - 13887 - 13888 - 13749 - 13750
 13751 - 13746 - 13747 - 13748 - 13025
 13026 - 13027 - 13022 - 13023 - 13024



Code

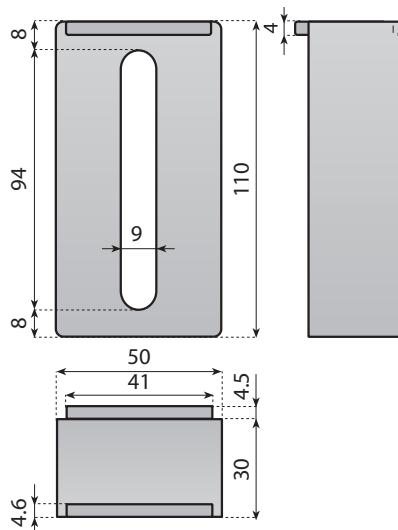
13189



n°50



PA-FG



Code

13198



n°50



PA-FG

SPACER FOR BRACKETS

Drip tray supports



DRIP TRAY SUPPORTS

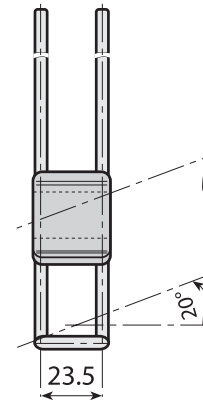
Material: metal support in stainless steel AISI 304, clamp in polyamide.

Accessories: fixing washer code 13252

Application: drip tray supports can be used with the following brackets:

13020 - 13021 - 13022 - 13023 - 13024 - 13025 - 13026 - 13027
 13050 - 13051 - 13052 - 13054 - 13055 - 13056 - 13088 - 13089
 13205 - 13206 - 13207 - 13746 - 13747 - 13748 - 13749 - 13750
 13751 - 13767 - 13768 - 13200 - 13201 - 13692 - 13693 - 13696
 13697 - 13769 - 13632 - 13633 - 13634 - 13635 - 13208 - 13209
 13210.

Drip tray supports can also be used with spacers code:
 13019 - 13399 - 13400.



AISI 304
Stainless steel

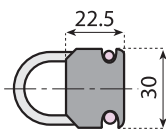
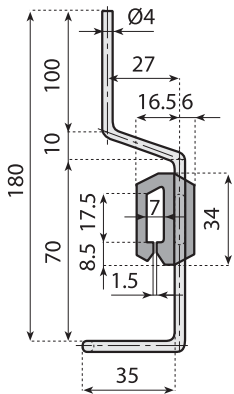


Polyamide



Accessories

DRIP TRAY SUPPORTS - AVAILABLE VERSIONS

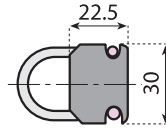
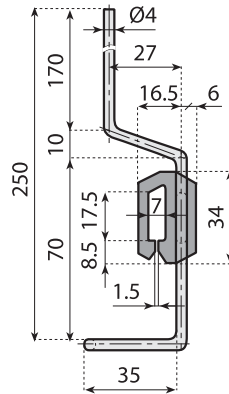


Code



184 mm n°50

13250

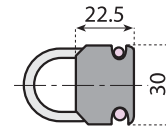
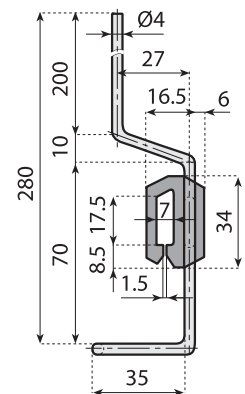


Code



254 mm n°50

13253

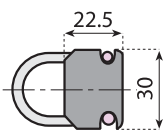
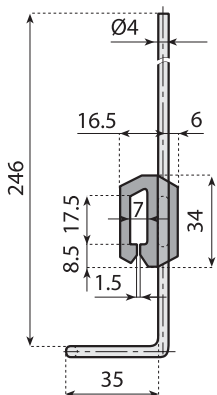


Code



284 mm n°50

13254

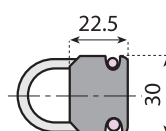
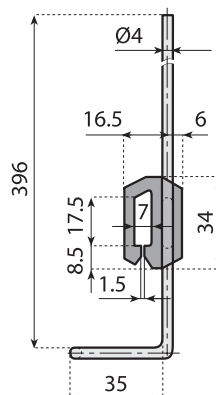


Code



250 mm n°50

13255



Code



400 mm n°50

13256

Preferred type, readily available (codes marked in red)

Drip tray supports



DRIP TRAY SUPPORTS

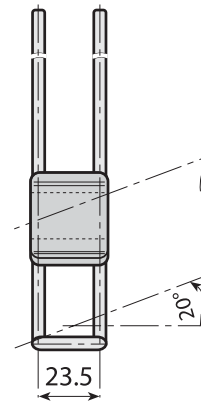
Material: metal support in stainless steel AISI 304, clamp in polyamide.

Accessories: fixing washer code 13252

Application: drip tray supports can be used with the following brackets:

13020 - 13021 - 13022 - 13023 - 13024 - 13025 - 13026 - 13027
 13050 - 13051 - 13052 - 13054 - 13055 - 13056 - 13088 - 13089
 13205 - 13206 - 13207 - 13746 - 13747 - 13748 - 13749 - 13750
 13751 - 13767 - 13768 - 13200 - 13201 - 13692 - 13693 - 13696
 13697 - 13769 - 13632 - 13633 - 13634 - 13635 - 13208 - 13209
 13210.

Drip tray supports can also be used with spacers code:
 13019 - 13399 - 13400.



304 Stainless steel

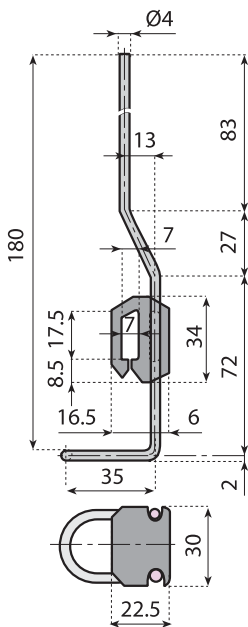


Polyamide



Accessories

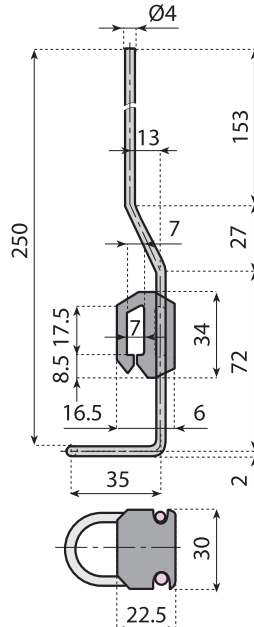
DRIP TRAY SUPPORTS - AVAILABLE VERSIONS



Code



13257 184 mm n°50



Code

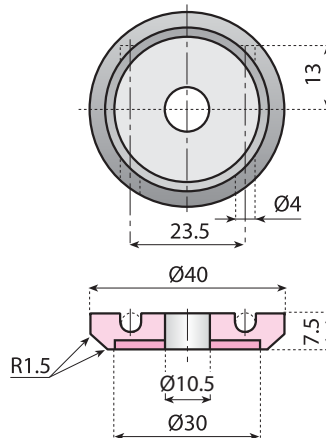


13258 254 mm n°50



FIXING WASHER

Material: polyamide, washer in stainless steel AISI 304.

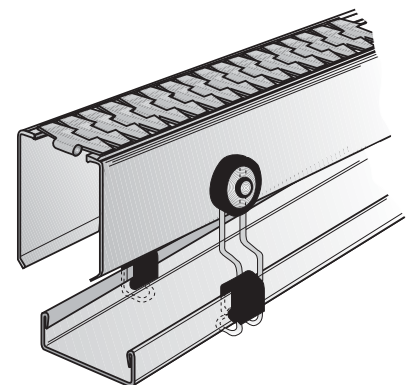


Code



13252 n°50

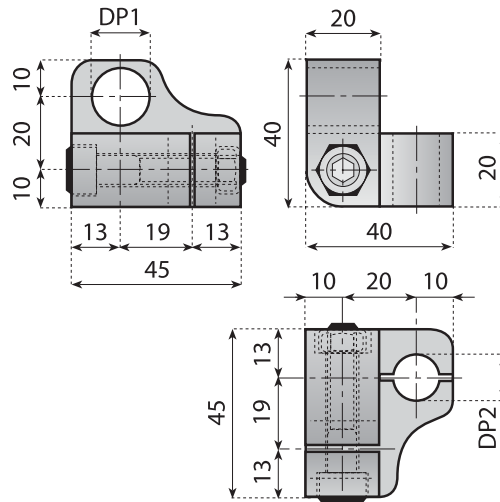
Preferred type, readily available (codes marked in red)





Connecting clamps

Single action two way cross block



AISI 304
Stainless steel



Reinforced
polyamide



Accessories



SINGLE ACTION TWO WAY CROSS BLOCK

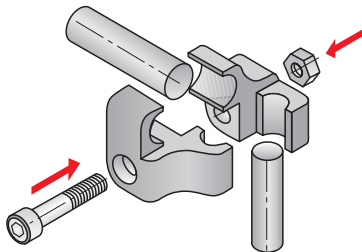
Feature: the special design provides a means for rapid adjustment of both vertical and horizontal side rail positions with the release of a single bolt or knob.

Material: reinforced polyamide, screws in stainless steel AISI 304.

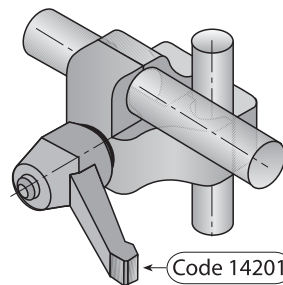
Supply: assembled.

Code	DP1	DP2	
13135	12	12	
13139	14	14	n°50
13144	16	16	

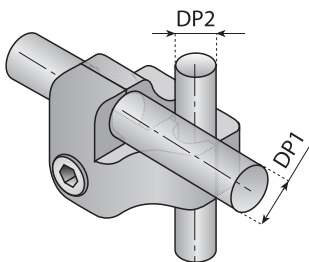
Example application



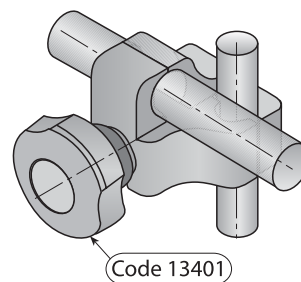
Adjustment with ratchet handle code 14201



Adjustment with bolts



Adjustment with knob code 13401



Positive action cross block

Preferred type, readily available (codes marked in red)



AISI 304
Stainless steel



Reinforced
polyamide



Zinc plated steel



Accessories

EXAMPLE APPLICATION



POSITIVE ACTION CROSS BLOCK

Material: reinforced polyamide.

Use: rod \varnothing 12 mm.

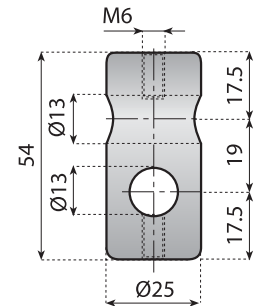
Code

13180

Without screws



n°100



POSITIVE ACTION CROSS BLOCK WITH SCREWS

Material: reinforced polyamide, screws in stainless steel.

Supply: assembled.

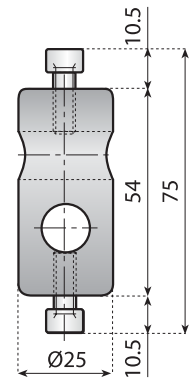
Code

13181

With screws



n°100



POSITIVE ACTION CROSS BLOCK WITH STAR KNOBS

Material: reinforced polyamide, knobs in polyamide with stainless steel insert.

Use: rod \varnothing 12 mm.

Supply: assembled.

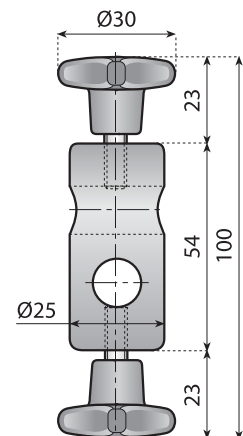
Code

13182

With star knobs



n°100



POSITIVE ACTION CROSS BLOCK WITH KNOBS

Material: reinforced polyamide, knobs in polyamide with zinc plated steel insert.

Use: rod \varnothing 12 mm.

Supply: assembled.

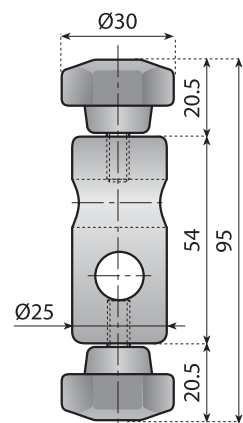
Code

13183

With knobs

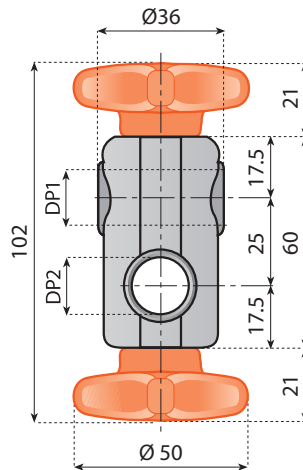


n°100



Quick positioning cross block

 Preferred type, readily available (codes marked in red)



AISI 304
Stainless steel



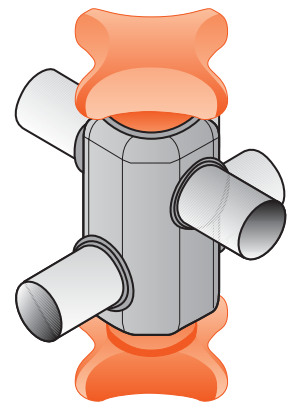
Nickel plated brass



Reinforced polyamide



[Accessories](#)




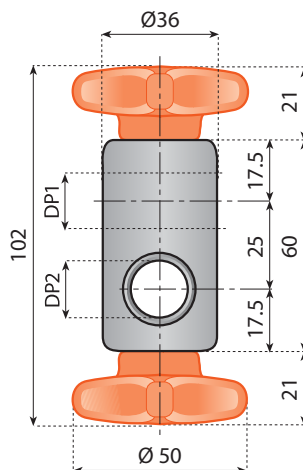
QUICK RELEASE CROSS BLOCK

Material: housing in reinforced polyamide, hardware in stainless steel, knobs in polyamide with bushings in nickel plated brass.

Features: it connects two round rods at 90°. Each side of the cross block can be quickly adjusted by loosening the hand knob.

Supply: assembled.

Code	DP1	DP2	
13316	12	12	n°50
13317	12	14	
13318	12	16	
13319	14	14	
13320	14	16	
13321	16	16	




QUICK RELEASE CROSS BLOCK

Material: body in stainless steel, hardware in stainless steel, knobs in polyamide with bushings in nickel plated brass.

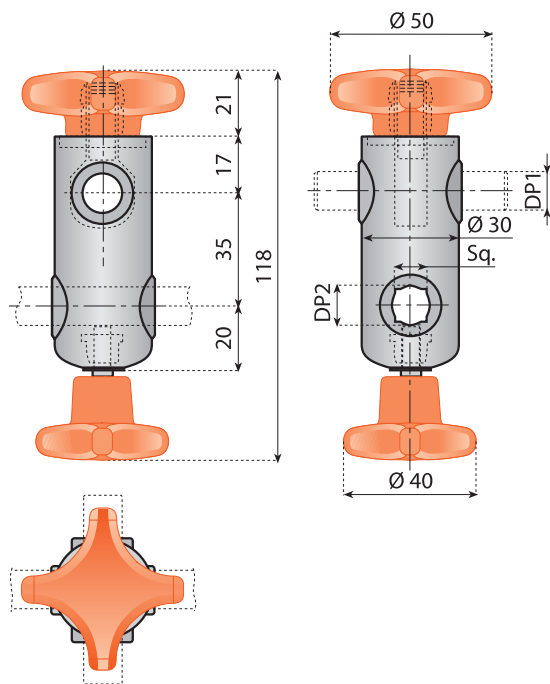
Features: it connects two round rods at 90°. Each side of the cross block can be quickly adjusted by loosening the hand knob.

Supply: assembled.

Code		DP1	DP2	
with knobs colour				
Orange	Black			
13360V	13360VN	12	12	n°50
13361V	13361VN	12	14	
13362V	13362VN	12	16	
13363V	13363VN	14	14	
13364V	13364VN	14	16	
13365V	13365VN	16	16	

Quick positioning cross block

Preferred type, readily available (codes marked in red)



SS 304

AISI 304
Stainless steel

NPB

Nickel plated brass

PA FG

Reinforced polyamide

308 → 314

Accessories

CROSS BLOCK WITH KNOBS

Components:

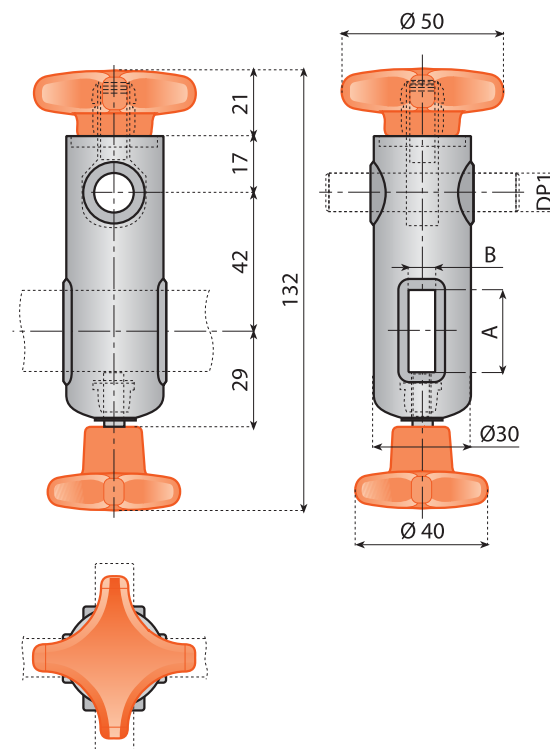
- Housing in reinforced polyamide.
- Washer and hardware in stainless steel.
- Knobs in reinforced polyamide with one threaded insert in stainless steel and one brass bushing.

Features:

- Connects two round rods or one round rod with square bar at 90°.
- Each side of the cross block can be quickly adjusted by loosening the hand knob.

Supply: assembled.

Code	DP1	DP2		n°50
		●	■	
13310V	12	12	10	
13311V	12	14	12	
13322V	14	12	10	
13312V	14	14	12	



CROSS BLOCK WITH KNOBS

Components:

- Housing in reinforced polyamide.
- Washer and hardware in stainless steel.
- Knobs in reinforced polyamide with one threaded insert in stainless steel and one brass bushing.

Features:

- Connects one round rod with flat bar at 90°.
- Each side of the cross block can be quickly adjusted by loosening the hand knob.

Supply: assembled.

Code	DP1	FLAT BAR		n°50
		A x B		
13260V	12	25 x 8		
13261V	14	25 x 8		
13262V	12	25 x 6		
13263V	14	25 x 6		

Dual action cross block

 Preferred type, readily available (codes marked in red)

DUAL ACTION CROSS BLOCK

Features: for fast line changes the new System Plast Dual Action Cross Block provides simplicity and easy in achieving the accuracy needed in adjusting multiple stations simultaneously. By simply rotating the quick release cap, the Dual Action Cross Block is placed in a neutral, non clamping, position.

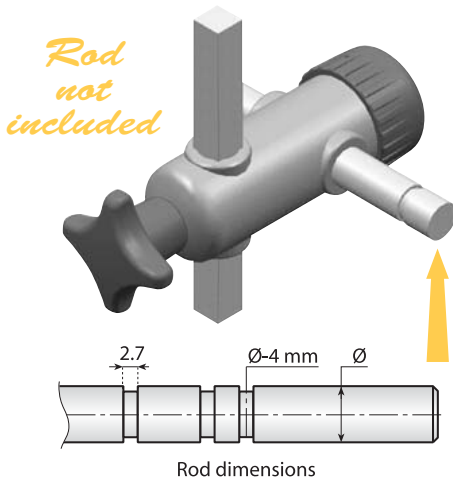
The side guides and other rails can then be moved to the desired location before returning the quick release cap to its locked position.


- This new patented part is perfect for applications where accurate and / or frequent adjustments are required.
- Fits 12-14 mm diameter adjusting rods.
- Corrosion resistance composite components.
- Ergonomic spring loaded design.

Components:

- External Housing (polyamide).
- Internal Housing (see the table).
- Closing Cap (polyamide).
- Spring (steel).
- Knob (polyamide with threaded insert in stainless steel).
- Threaded insert (nickel plated brass).

Supply: assembled.



Code	Internal block	DP1	DP2		
			●	■	
13310		12	12	10	
13311	Reinforced polyamide	12	14	12	n°50
13322		14	12	10	
13312		14	14	12	
13313		12	12	10	
13314	Nickel plated brass	12	14	12	n°50
13323		14	12	10	
13315		14	14	12	



AISI 304
Stainless steel



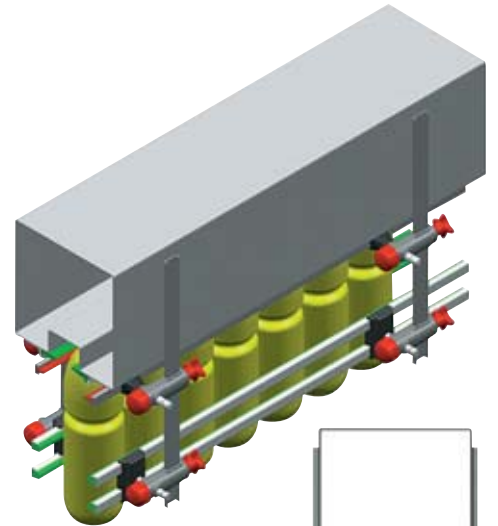
Nickel plated brass



Reinforced polyamide

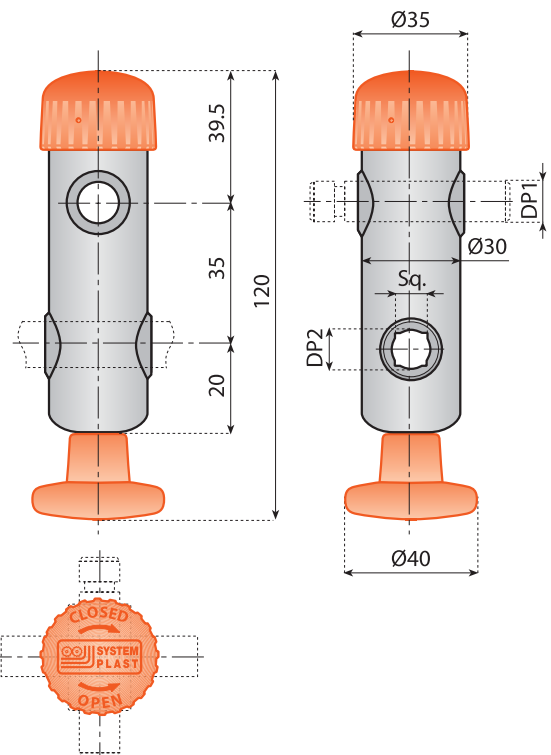
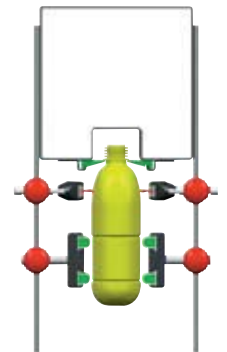


[Accessories](#)



Advantages:

- Rapid adjustment of guides to accommodate the choice of bottle format.
- Quick and easy maintenance.



For a correct use of these products and to get the best performance, please call our engineering experts.

Dual action cross block fine positioning version



AISI 304
Stainless steel

Nickel plated brass

Reinforced
polyamide

[Accessories](#)

DUAL ACTION CROSS BLOCK

Features: for fast line changes the new System Plast Dual Action Cross Block provides simplicity and easy in achieving the accuracy needed in adjusting multiple stations simultaneously. By simply rotating the quick release cap, the Dual Action Cross Block is placed in a neutral, non clamping, position. The side guides and other rails can then be moved to the desired location before returning the quick release cap to its locked position.

- This new patented part is perfect for applications where accurate and / or frequent adjustments are required.
- Fits 12-14 mm diameter adjusting rods.
- Corrosion resistance composite components.
- Ergonomic spring loaded design.

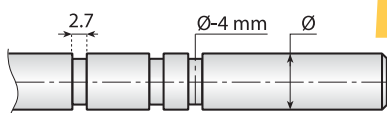
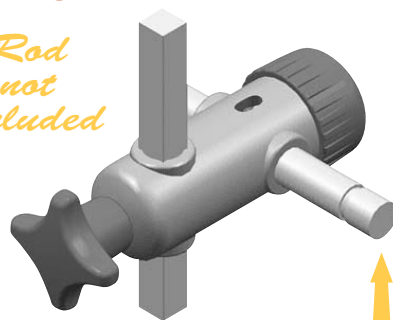
Components:

- External Housing (polyamide)
- Internal Housing (see the table)
- Closing Cap (polyamide)
- Spring (steel)
- Knob (polyamide with threaded insert in stainless steel).
- Threaded insert (nickel plated brass).

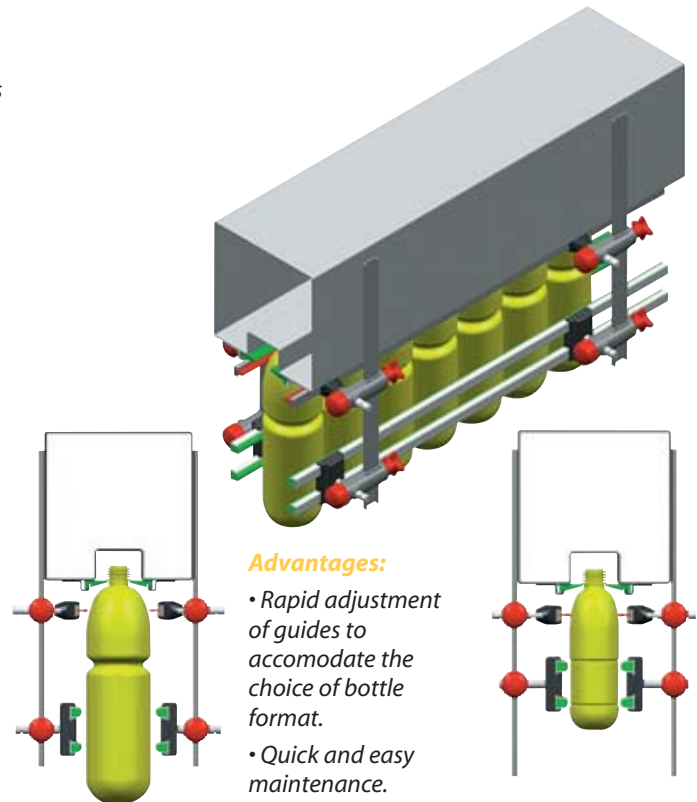
Supply: assembled.



Rod
not
included

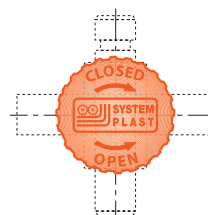
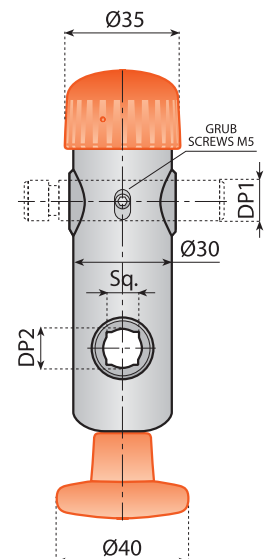
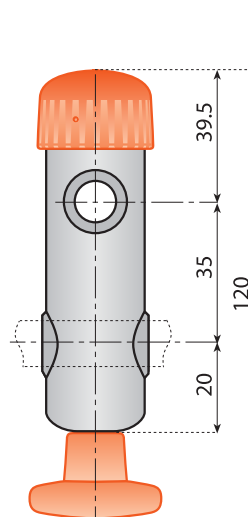


Rod dimensions



Advantages:

- Rapid adjustment of guides to accommodate the choice of bottle format.
- Quick and easy maintenance.



n°50

Code	Internal block	DP1	DP2		
			●	■	
13313FP		12	12	10	n°50
13314FP	Nickel	12	14	12	
13323FP	plated brass	14	12	10	
13315FP		14	14	12	

For a correct use of these products and to get the best performance, please call our engineering experts.

Dual action cross block (for flat bar)

 Preferred type, readily available (codes marked in red)



AISI 304
Stainless steel



Nickel plated brass



Reinforced
polyamide



[Accessories](#)

DUAL ACTION CROSS BLOCK

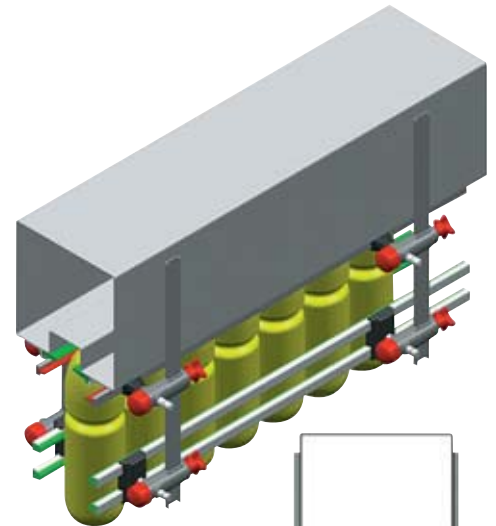
Features: for fast line changes the new System Plast Dual Action Cross Block provides simplicity and easy in achieving the accuracy needed in adjusting multiple stations simultaneously. By simply rotating the quick release cap, the Dual Action Cross Block is placed in a neutral, non clamping, position. The side guides and other rails can then be moved to the desired location before returning the quick release cap to its locked position.

- This new patented part is perfect for applications where accurate and / or frequent adjustments are required.
- Fits 12-14 mm diameter adjusting rods.
- Corrosion resistance composite components.
- Ergonomic spring loaded design.

Components:

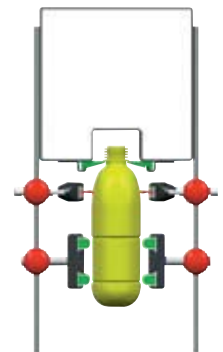
- External Housing (polyamide)
- Internal Housing (see the table)
- Closing Cap (polyamide)
- Spring (steel)
- Knob (polyamide with threaded insert in stainless steel).
- Threaded insert (nickel plated brass).

Supply: assembled.

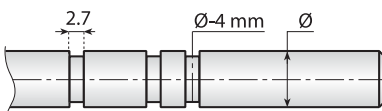
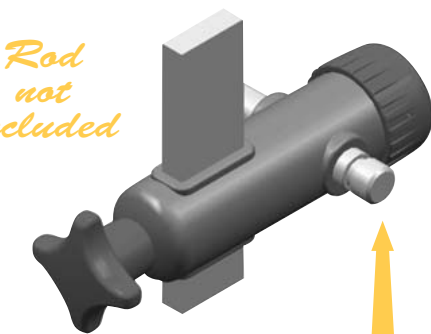


Advantages:

- Rapid adjustment of guides to accommodate the choice of bottle format.
- Quick and easy maintenance.

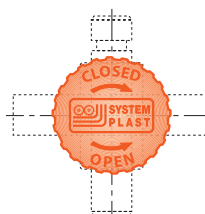
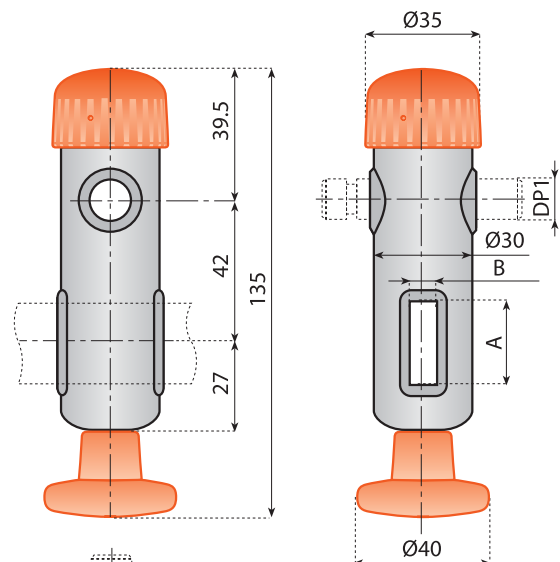


Rod
not
included



Rod dimensions

Code	Internal block	DP1	Flat bar A x B	
13260		12	25 x 8	
13261	Reinforced polyamide	14	25 x 8	n°50
13262		12	25 x 6	
13263		14	25 x 6	
13264		12	25 x 8	
13265	Nickel plated brass	14	25 x 8	n°50
13266		12	25 x 6	
13267		14	25 x 6	



For a correct use of these products and to get the best performance, please call our engineering experts.

Dual action cross block fine positioning version (for flat bar)



AISI 304
Stainless steel



Nickel plated brass



Reinforced polyamide



[Accessories](#)

DUAL ACTION CROSS BLOCK

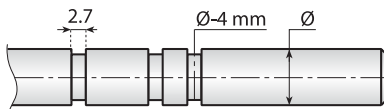
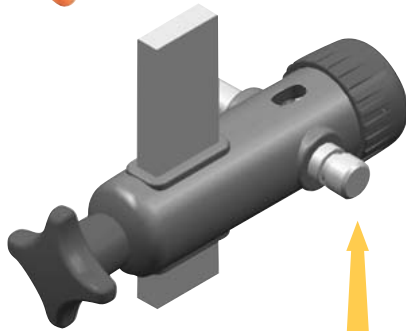
Features: for fast line changes the new System Plast Dual Action Cross Block provides simplicity and easy in achieving the accuracy needed in adjusting multiple stations simultaneously. By simply rotating the quick release cap, the Dual Action Cross Block is placed in a neutral, non clamping, position. The side guides and other rails can then be moved to the desired location before returning the quick release cap to its locked position.

- This new patented part is perfect for applications where accurate and / or frequent adjustments are required.
- Fits 12-14 mm diameter adjusting rods.
- Corrosion resistance composite components.
- Ergonomic spring loaded design.

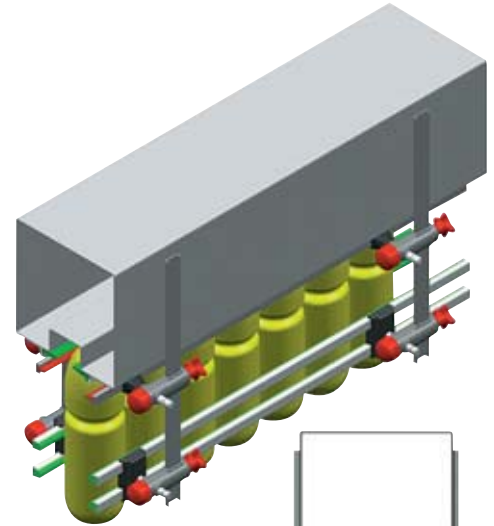
Components:

- External Housing (polyamide)
- Internal Housing (see the table)
- Closing Cap (polyamide)
- Spring (steel)
- Knob (polyamide with threaded insert in stainless steel)
- Threaded insert (nickel plated brass).

Supply: assembled.

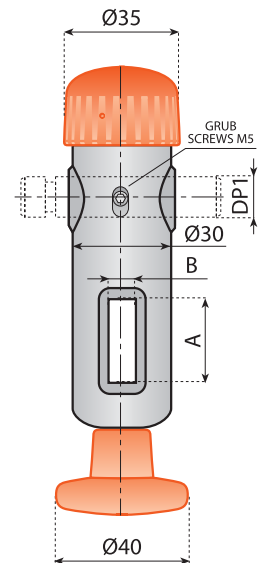
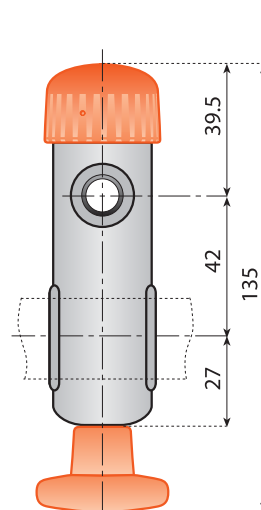


Rod dimensions

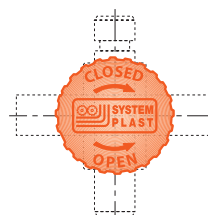


Advantages:

- Rapid adjustment of guides to accommodate the choice of bottle format.
- Quick and easy maintenance.



Code	Internal block	DP1	Flat bar A x B	
13264FP		12	25 x 8	n°50
13265FP	Nickel	14	25 x 8	
13266FP	plated brass	12	25 x 6	
13267FP		14	25 x 6	



For a correct use of these products and to get the best performance, please call our engineering experts.

Cross blocks

 Preferred type, readily available (codes marked in red)



AISI 304
Stainless steel



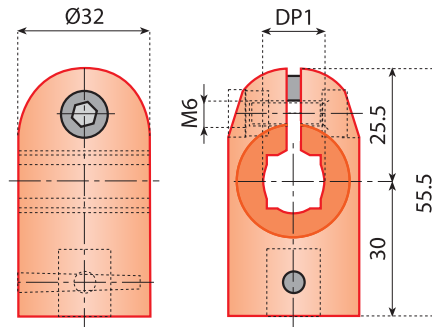
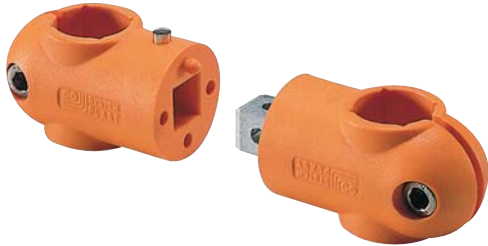
Nickel plated brass



Reinforced
polyamide



[Accessories](#)




CROSS BLOCKS

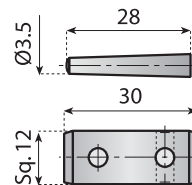
Features: cross blocks, in a variety of bore configurations, including square bore combinations, are manufactured from reinforced polyamide.

Use: it connects two round or square rods at 90°.

Material: reinforced polyamide with stainless steel bolts.

Supply: unassembled.

Code	DP1		
	●	■	
13666	14	12	n°100
13667	15	-	
13668	16	14	
13669	18	-	
13670	20	16	



CONNECTING JOINT AND PINS

Supply: separate two pins and one connecting joints.

Code		Material
13671	n°100	Nickel plated brass

Extra long cross or parallel blocks

Preferred type, readily available (codes marked in red)



AISI 304
Stainless steel



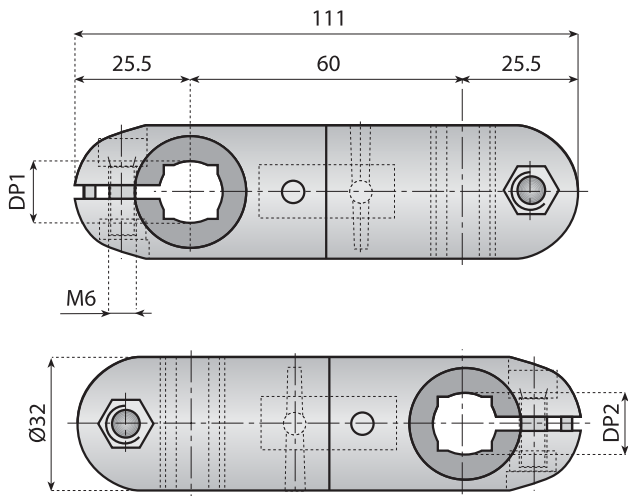
Nickel plated brass



Reinforced polyamide



Accessories



Code	DP1		DP2		n°100
	●	■	●	■	
13651P	14	12	14	12	
13652P	14	12	15	-	
13653P	14	12	16	14	
13654P	14	12	18	-	
13655P	14	12	20	16	
13656P	15	-	15	-	
13657P	15	-	16	14	
13658P	15	-	18	-	
13659P	15	-	20	16	
13660P	16	14	16	14	
13661P	16	14	18	-	
13662P	16	14	20	16	
13663P	18	-	18	-	
13664P	18	-	20	16	
13665P	20	16	20	16	

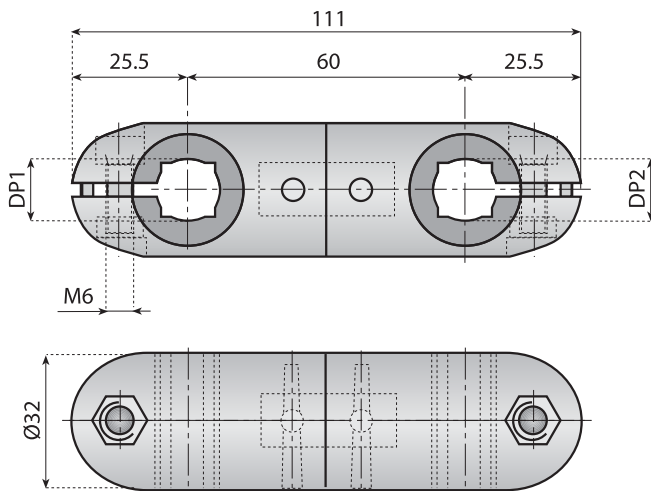
EXTRA LONG CROSS BLOCKS

Features: cross blocks, in a variety of bore configurations, including square bore combinations, are manufactured from reinforced polyamide.

Use: it connects two round or square rods at 90°.

Material: reinforced polyamide with stainless steel bolts. Internal connecting joint and pins in nickel plated brass.

Supply: assembled.



Code	DP1		DP2		n°100
	●	■	●	■	
13651L	14	12	14	12	
13652L	14	12	15	-	
13653L	14	12	16	14	
13654L	14	12	18	-	
13655L	14	12	20	16	
13656L	15	-	15	-	
13657L	15	-	16	14	
13658L	15	-	18	-	
13659L	15	-	20	16	
13660L	16	14	16	14	
13661L	16	14	18	-	
13662L	16	14	20	16	
13663L	18	-	18	-	
13664L	18	-	20	16	
13665L	20	16	20	16	

EXTRA LONG PARALLEL BLOCKS

Features: cross blocks, in a variety of bore configurations, including square bore combinations, are manufactured from reinforced polyamide.

Use: it connects two round or square rods at parallel.

Material: reinforced polyamide with stainless steel bolts. Internal connecting joint and pins in nickel plated brass.

Supply: assembled.

T - Clamp (base)

 Preferred type, readily available (codes marked in red)



AISI 304
Stainless steel



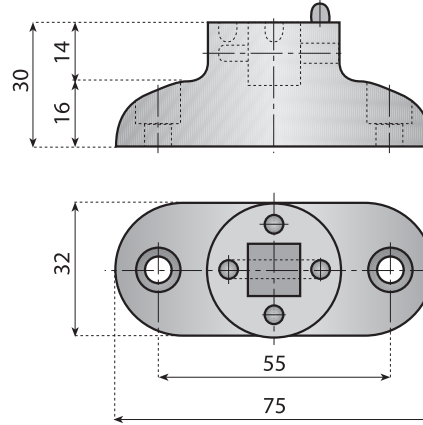
Nickel plated brass



Reinforced
polyamide



[Accessories](#)



Code

131008



n°100

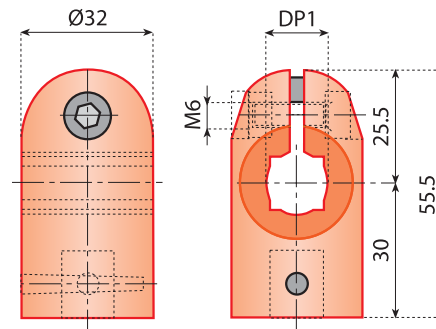
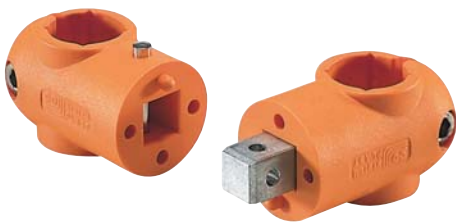
T-MOBILE CLAMPS

Features: it mounts to the side of equipment to provide support for light duty application.

Use: with single cross block

Material: reinforced polyamide with stainless steel bolts.

Supply: unassembled



Code

13666

13667

13668

13669

13670

DP1



14

12

15

-

16

14

18

-

20

16



n°100

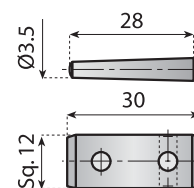
CROSS BLOCKS

Features: cross blocks, in a variety of bore configurations, including square bore combinations, are manufactured from reinforced polyamide.

Use: connects two round or square rods at 90°.

Material: reinforced polyamide with stainless steel bolts.

Supply: unassembled.



Code

13671



n°100



Nickel plated brass

CONNECTING JOINT AND PINS

Supply: separate two pins and one connecting joints.

T - mobile clamp

Preferred type, readily available (codes marked in red)



AISI 304
Stainless steel



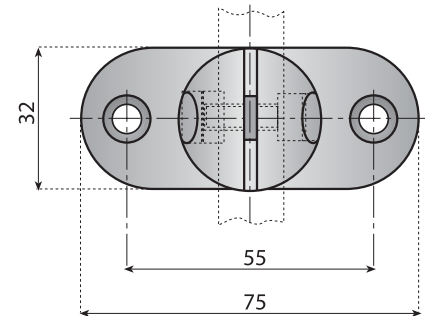
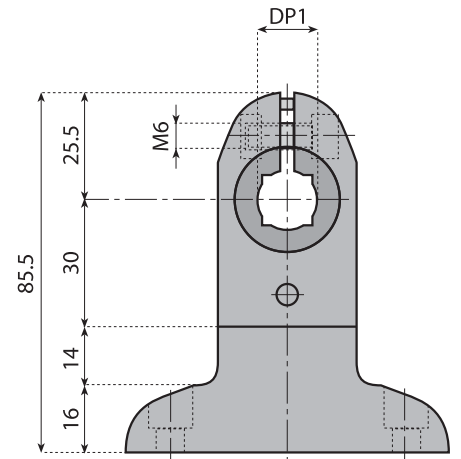
Nickel plated brass



Reinforced polyamide



[Accessories](#)



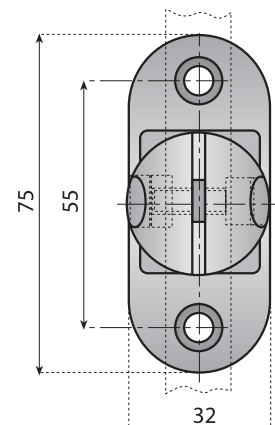
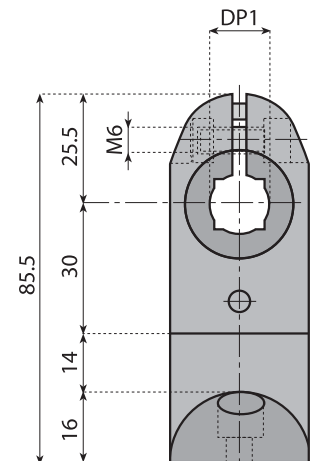
T-MOBILE CLAMPS

Features: mounts to side of equipment to provide support light duty rod type guide rail system.

Material: reinforced polyamide with stainless steel bolts; Internal connecting joints and pins in nickel plated brass.

Supply: assembled.

Code	DP1		
	●	■	
131010P	14	12	n°100
131011P	15	-	
131012P	16	14	
131013P	18	-	
131014P	20	16	



T-MOBILE CLAMPS

Features: mounts to side of equipment to provide support light duty rod type guide rail system.

Material: reinforced polyamide with stainless steel bolts; Internal connecting joints and pins in nickel plated brass.

Supply: assembled.

Code	DP1		
	●	■	
131010L	14	12	n°100
131011L	15	-	
131012L	16	14	
131013L	18	-	
131014L	20	16	

Standard cross blocks



AISI 304
Stainless steel



Acetal resin

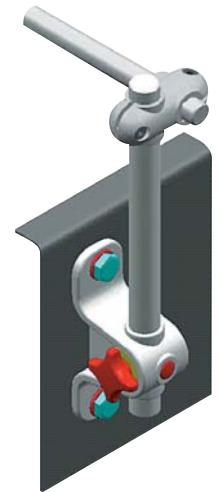
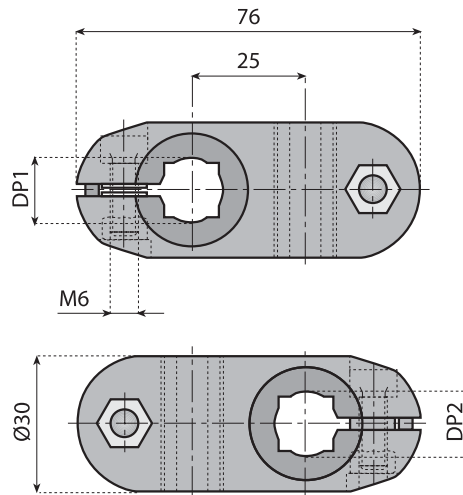


Reinforced
polyamide



306 → 314
Accessories

Preferred type, readily available (codes marked in red)



Code	DP1		DP2		
	●	■	●	■	
13105	14	12	14	12	n°50
13106	14	12	15	-	
13107	14	12	16	14	
13111	14	12	18	-	
13140	14	12	20	16	
13108	15	-	15	-	
13109	15	-	16	14	
13112	15	-	18	-	
13141	15	-	20	16	
13110	16	14	16	14	
13113	16	14	18	-	
13142	16	14	20	16	
13093	18	-	18	-	
13143	18	-	20	16	
13104	20	16	20	16	
13104K	-	16	20	16	

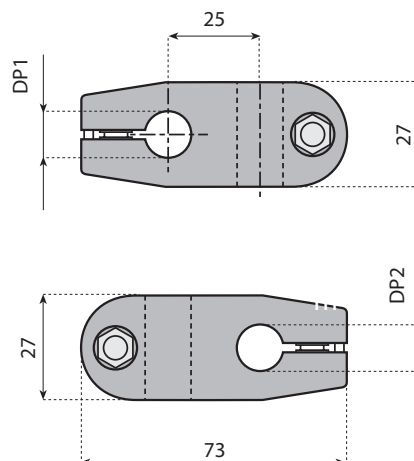
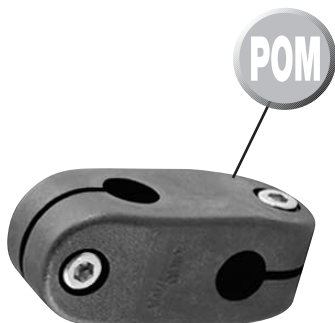
CROSS BLOCK

Features: cross blocks, in a variety of bore configurations, including square bore combinations, are manufactured from reinforced polyamide.

Use: connects two round or square rods at 90°.

Material: reinforced polyamide with stainless steel fasteners.

Supply: assembled.



HEAVY DUTY CROSS BLOCK

Features: cross blocks, in a variety of bore configurations, including square bore combinations, are manufactured from reinforced polyamide.

Use: connects two round or square rods at 90°.

Material: acetal resin with stainless steel fasteners.

Supply: assembled.

Code	Ref.	DP1	DP2	
13S00106	VG-620-12-12M	12	12	n°10
13S00107	VG-620-12-16M	12	16	
13S00108	VG-620-14-14M	14	14	
13S00109	VG-620-15-15M	15	15	
13S00110	VG-620-16-16M	16	16	
13S00111	VG-620-18-18M	18	18	

Standard cross blocks



AISI 304
Stainless steel



Acetal resin

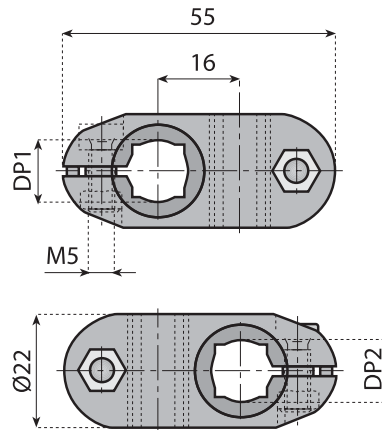


Reinforced
polyamide



Accessories

Preferred type, readily available (codes marked in red)



MINI CROSS BLOCK

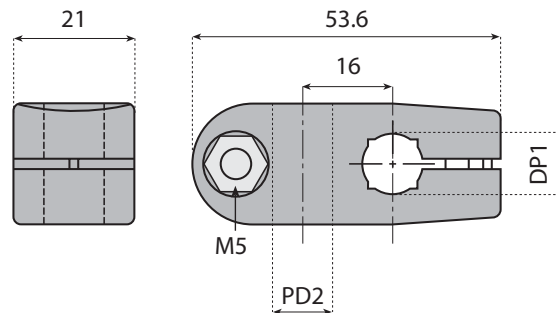
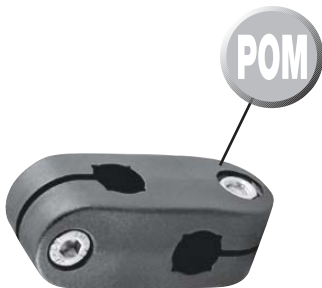
Features: cross blocks, in a variety of bore configurations, including square bore combinations, are manufactured from reinforced polyamide.

Use: connects two round or square rods at 90°.

Material: reinforced polyamide with stainless steel fasteners.

Supply: assembled.

Code	DP1		DP2		n°50
	●	■	●	■	
13151	10	8	10	8	
13145	10	8	12	10	
13146	10	8	14	12	
13114	12	10	12	10	
13147	12	10	14	12	
13160	14	12	14	12	



HEAVY DUTY MINI CROSS BLOCK

Features: cross blocks, in a variety of bore configurations, including square bore combinations, are manufactured from reinforced polyamide.

Use: connects two round or square rods at 90°.

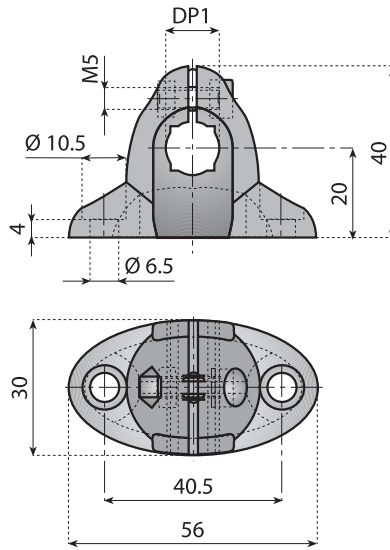
Material: acetal resin with stainless steel fasteners.

Supply: assembled.

Code	Ref.	DP1		DP2		n°10
		●	■	●	■	
13500114	VG-619-10M	10	8	10	8	
13500115	VG-619-12M	12	10	12	10	
13500116	VG-619-14M	14	12	14	12	

T. Clamp

 Preferred type, readily available (codes marked in red)



AISI 304
Stainless steel



Reinforced
polyamide




Accessories

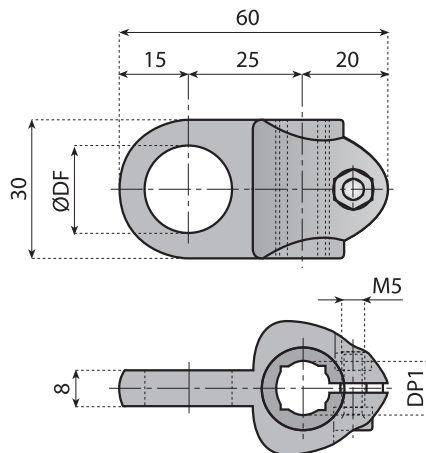
T-CLAMP


Features: mounts to side of equipment to provide support for light duty rod type guide rail system.

Material: reinforced polyamide with stainless steel fasteners.

Supply: assembled.

Code	DP1		
	●	■	
13152	10	8	n°50
13115	12	10	
13161	14	12	



Code	DP1		Ø DF	
	●	■		
13600			8	n°50
13601			10	
13602	10	8	12	
13603			14	
13604			16	
13153			19	n°50
13605			8	
13606			10	
13607	12	10	12	
13608			14	
13609			16	n°50
13116			19	
13610			8	
13611			10	
13612	14	12	12	
13613			14	n°50
13614			16	
13162			19	

CLAMP

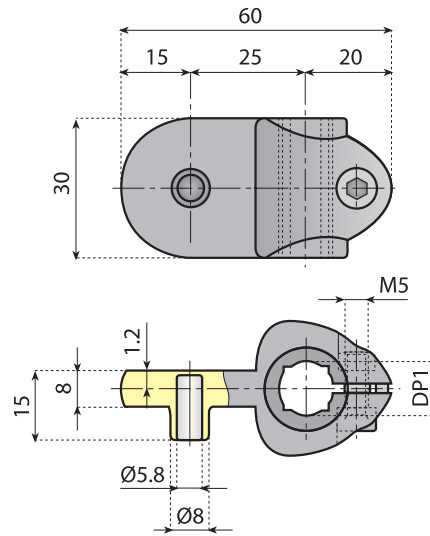
Features: used to hold many types of accessories. Numerous bore sizes available.

Material: reinforced polyamide with stainless steel fasteners.

Supply: assembled.

Reflector clamp

Preferred type, readily available (codes marked in red)



SS 304
AISI 304
Stainless steel

PA FG
Reinforced
polyamide

REFLECTOR CLAMP

Features: used to hold reflectors using a cap screw and nut or pression clip.

Material: reinforced polyamide with stainless steel fasteners.

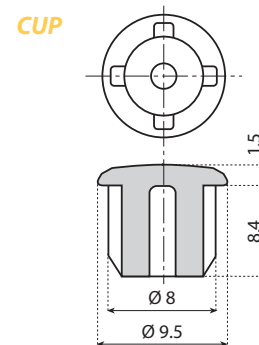
Supply: assembled.

Code	DP1		
	●	■	
13157	10	8	n°50
13158	12	10	
13159	14	12	



TUBE

- external d. 10 mm
- thickness 1 mm
- length 6 m



Code		Material
13155	n°50	SS AISI 304

Code		Material
13156	n°100	PA-FG

Mounting assembly kit

 Preferred type, readily available (codes marked in red)



AISI 304
Stainless steel



Reinforced
polyamide



Polyethylene



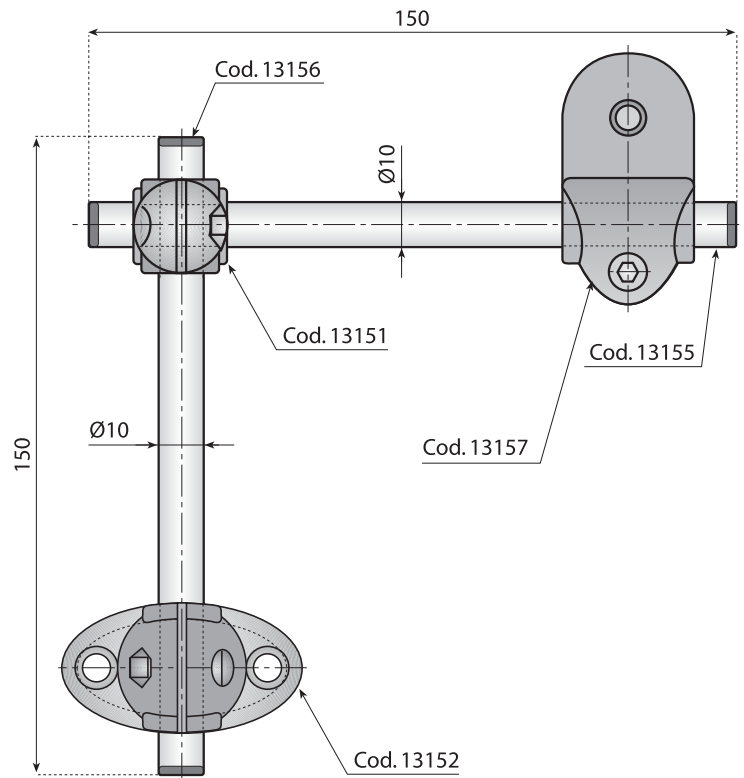
REFLECTOR MOUNTING ASSEMBLY KIT (for reflector)

Material: clamps in reinforced polyamide tightening bolt and connecting tubes in stainless steel AISI 304, closing caps in polyethylene.

Components: nr° 1 T-Clamp, nr° 1 clamp, nr° 1 cross block, nr° 2 connecting tubes, nr° 4 closing caps.

Supply: unassembled.

***Packaging:** 25 completely kit.



Code

13148



n°25*



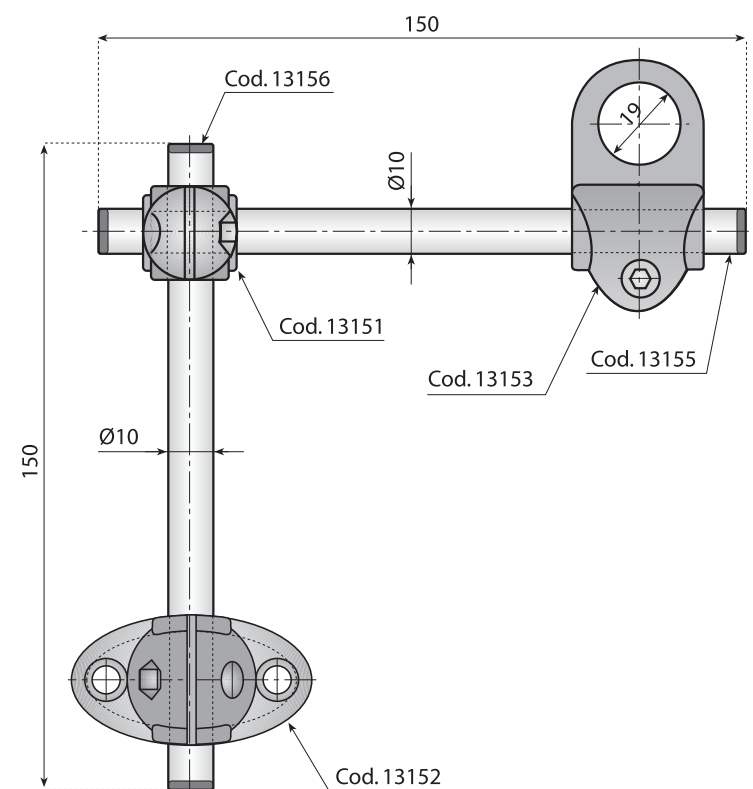
SENSOR MOUNTING ASSEMBLY KIT (for Ø 18 mm sensor)

Material: clamps in reinforced polyamide tightening bolt and connecting tubes in stainless steel AISI 304, closing caps in polyethylene.

Components: nr° 1 T-Clamp, nr° 1 clamp, nr° 1 cross block, nr° 2 connecting tubes, nr° 4 closing caps.

Supply: unassembled.

***Packaging:** 25 completely kit.



Code

13154



n°25*

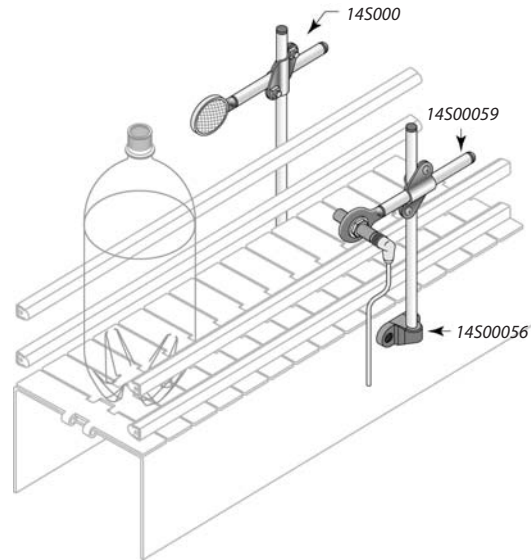
Accessory holders

UNIVERSAL ACCESSORY HOLDERS

Photocells, sensors, spray heads, miniature pneumatics, plus many other accessories can easily be held in place using accessory holders. These multi-axis assemblies are designed to offer unlimited possibilities for mounting accessories on conveyors and machinery of all types. Made of corrosion resistant thermoplastic and stainless steel, accessory holder can withstand harsh operating environments.

Accessory holders are configured to mount sensor or reflectors of various dimensions. The components are available as loose parts or as an assembly kit.

Material: clamps in reinforced polyamide, tubes in stainless steel AISI 304.



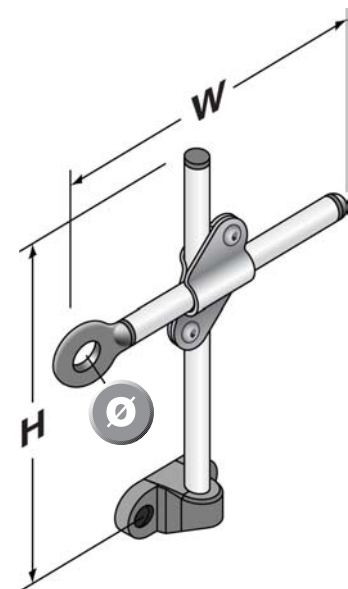
Stainless steel



Reinforced polyamide



	Code	Ref.	W	H	Ø	Clamp
	14S00050	VG-625-30-3506	120	95	6.5	n°10
	14S00071	VG-625-30-5006	120	135		
	14S00072	VG-625-45-3506	155	95		
	14S00053	VG-625-45-5006	155	135		
	14S00073	VG-625-30-3510	120	95	9.5	n°10
	14S00074	VG-625-30-5010	120	135		
	14S00051	VG-625-45-3510	155	95		
	14S00075	VG-625-45-5010	155	135		
	14S00076	VG-625-30-3513	120	95	12.7	n°10
	14S00077	VG-625-30-5013	120	135		
	14S00078	VG-625-45-3513	155	95		
	14S00079	VG-625-45-5013	155	135		
	14S00080	VG-625-30-3516	120	95	16	n°10
	14S00081	VG-625-30-5016	120	135		
	14S00082	VG-625-45-3516	155	95		
	14S00083	VG-625-45-5016	155	135		
	14S00084	VG-625-30-3519	120	95	19	n°10
	14S00052	VG-625-30-5019	120	135		
	14S00085	VG-625-45-3519	155	95		
	14S00054	VG-625-45-5019	155	135		

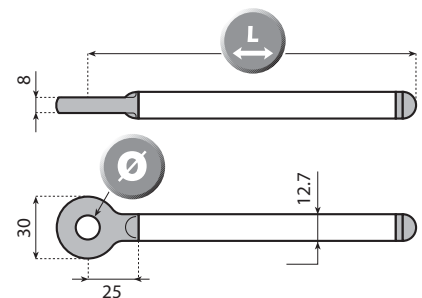


ACCESSORY HOLDER

Material: clamps in reinforced polyamide, tubes in stainless steel AISI 304.

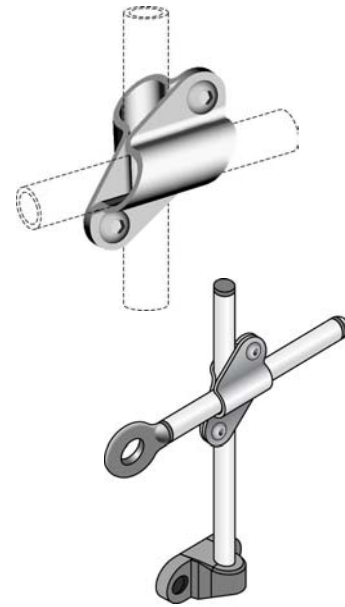
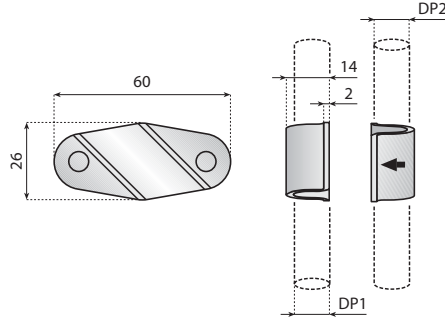
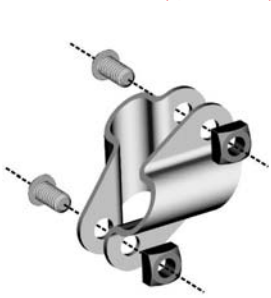


Code	Ref.	L	Ø	Clamp
14S00060	VG-628-35-12-14	120 mm	6.4	n°10
14S00062	VG-628-35-12-38		9.5	
14S00059	VG-628-35-12-12		12.7	
14S00063	VG-628-35-12-58		16	
14S00061	VG-628-35-12-34	155 mm	19	n°10
14S00065	VG-628-50-12-14		6.4	
14S00067	VG-628-50-12-38		9.5	
14S00064	VG-628-50-12-12		12.7	
14S00068	VG-628-50-12-58	155 mm	16	n°10
14S00066	VG-628-50-12-34		19	



Accessory holders

 Preferred type, readily available (codes marked in red)



SS 304

AISI 304
Stainless steel

PA

Polyamide


PATENT FEATURE

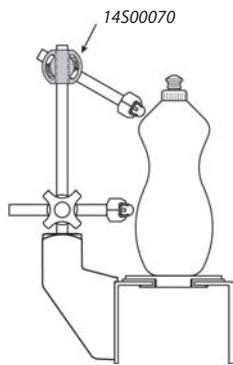
Par. # 6,591,978
(USA)

Ø 12.7

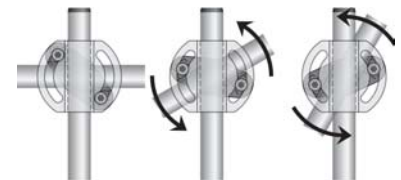
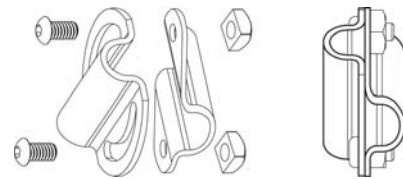
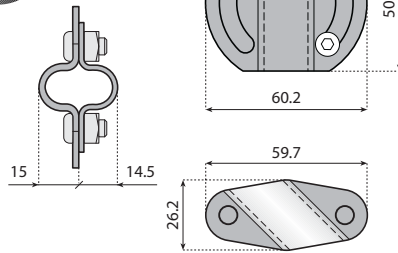
External diameter

CROSS CLAMP IN STAINLESS STEEL


Code	Ref.	DP1	DP2		Material
14S00069	VG-629-12-12	12.7 mm	12.7 mm	n°10	SS AISI 304



PATENTED

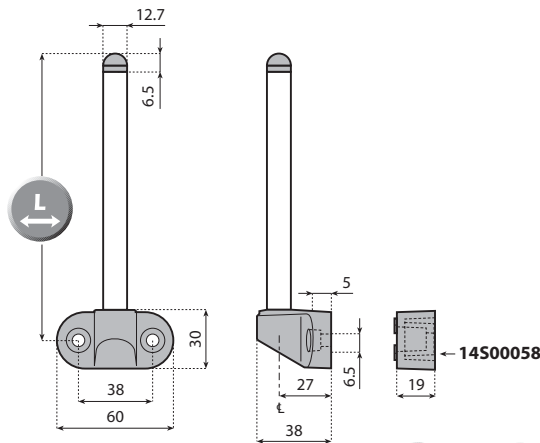


CROSS CLAMP ADJUSTABLE IN STAINLESS STEEL

Code	Ref.	DP1	DP2		Material
14S00070	VG-629R-12-12	12.7 mm	12.7 mm	n°10	SS AISI 304



PATENT FEATURE

Par. # 6,427,829 B1
Par. # 6,591,978
(USA)



MODEL T-ROD

Material: clamps in reinforced polyamide, tubes in stainless steel AISI 304.

Code	Ref.		
14S00055	VG-627-30-12	95	
14S00056	VG-627-45-12	135	n°10
14S00057	VG-627-80-12	220	

SPACERS

Code	Ref.	
14S00058	VG-627S-34	n°10

Extra cross block

Preferred type, readily available (codes marked in red)



AISI 304
Stainless steel



Nickel plated brass



Reinforced polyamide



Accessories

EXTRA CROSS BLOCK STANDARD

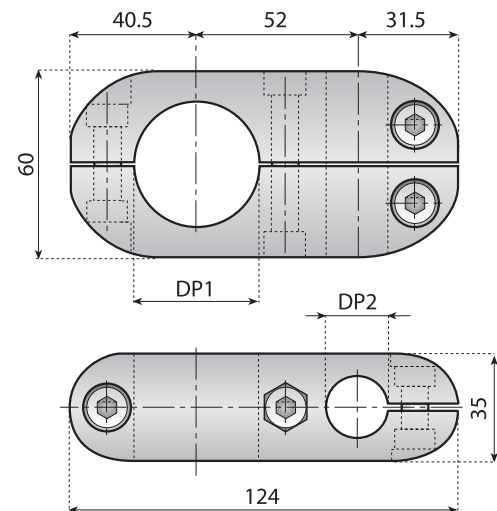
Material: reinforced polyamide bolts and nut in stainless steel.

Supply: assembled.

Note: max recommended tightening torque 3 Kgm.



Code	DP1	DP2	
13509	■ 40	● 20	
13510	■ 40	■ 20	
13511	■ 40	● 18 ■ 15	
13512	■ 40	● 16	
13513	■ 30	● 20	
13514	■ 30	■ 20	
13515	■ 30	● 18 ■ 15	
13516	■ 30	● 16	
13517	● 42.4	● 20	n°50
13518	● 42.4	■ 20	
13519	● 42.4	● 18 ■ 15	
13520	● 42.4	● 16	
13521	● 38.1	● 20	
13522	● 38.1	■ 20	
13523	● 38.1	● 18 ■ 15	
13524	● 38.1	● 16	



EXTRA CROSS BLOCK WITH HANDLES

Material: cross block in reinforced polyamide, bolts and nut in stainless steel, adjustable handles in reinforced polyamide with insert in nickel plated brass.

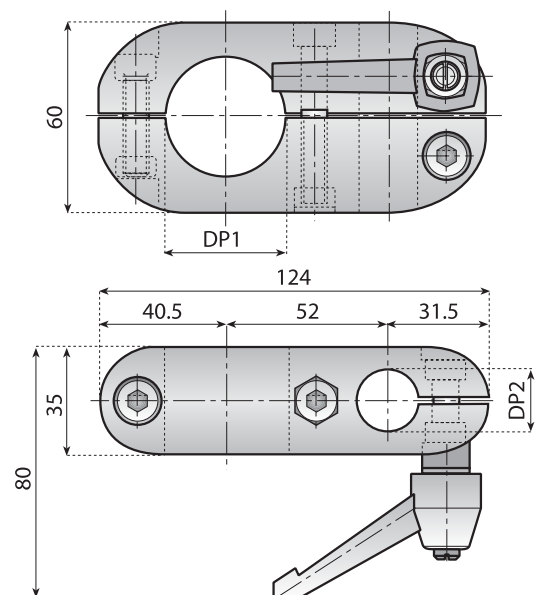
Application: for use in areas where frequent adjusting is required for vertical movement.

Supply: assembled.

Note: max recommended tightening torque 3 Kgm.



Code	DP1	DP2	
13509V	■ 40	● 20	
13510V	■ 40	■ 20	
13511V	■ 40	● 18 ■ 15	
13512V	■ 40	● 16	
13513V	■ 30	● 20	
13514V	■ 30	■ 20	
13515V	■ 30	● 18 ■ 15	
13516V	■ 30	● 16	
13517V	● 42.4	● 20	n°50
13518V	● 42.4	■ 20	
13519V	● 42.4	● 18 ■ 15	
13520V	● 42.4	● 16	
13521V	● 38.1	● 20	
13522V	● 38.1	■ 20	
13523V	● 38.1	● 18 ■ 15	
13524V	● 38.1	● 16	



Extra cross block

 Preferred type, readily available (codes marked in red)

EXTRA CROSS BLOCK WITH HANDLES

Material: cross block in reinforced polyamide, bolts and nut in stainless steel, adjustable handles in reinforced polyamide with insert in nickel plated brass.

Applications: for use in areas where frequent adjusting is required for horizontal and vertical movement.

Supply: assembled.

Note: max recommended tightening torque 3 Kgm.



Code	DP1	DP2	
13509HV	■ 40	● 20	
13510HV	■ 40	■ 20	
13511HV	■ 40	● 18	■ 15
13512HV	■ 40	● 16	
13513HV	■ 30	● 20	
13514HV	■ 30	■ 20	
13515HV	■ 30	● 18	■ 15
13516HV	■ 30	● 16	
13517HV	● 42.4	● 20	n°50
13518HV	● 42.4	■ 20	
13519HV	● 42.4	● 18	■ 15
13520HV	● 42.4	● 16	
13521HV	● 38.1	● 20	
13522HV	● 38.1	■ 20	
13523HV	● 38.1	● 18	■ 15
13524HV	● 38.1	● 16	



AISI 304
Stainless steel



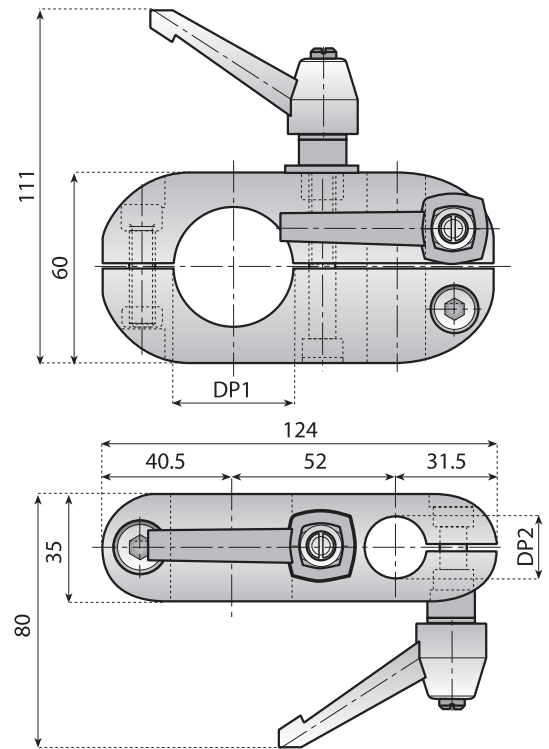
Nickel plated brass



Reinforced polyamide



Accessories



EXTRA CROSS BLOCK WITH HANDLES

Material: cross block in reinforced polyamide, bolts and nut in stainless steel, adjustable handles in reinforced polyamide with insert in nickel plated brass.

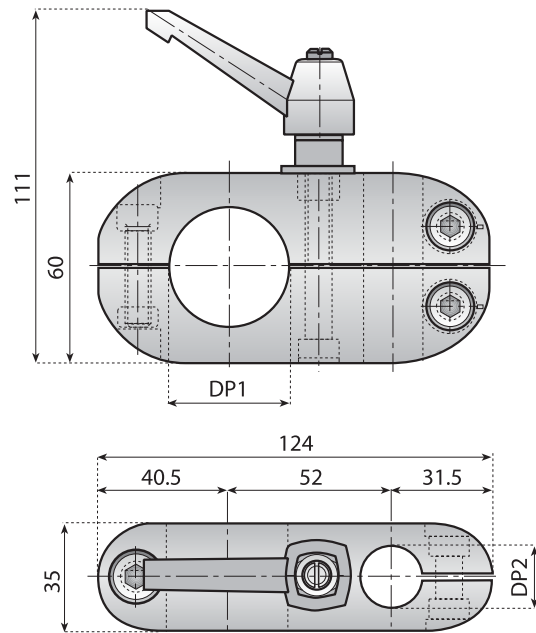
Applications: for use in areas where frequent adjusting is required for horizontal and vertical movement.

Supply: assembled.

Note: max recommended tightening torque 3 Kgm.



Code	DF 1	DF 2	
13509H	■ 40	● 20	
13510H	■ 40	■ 20	
13511H	■ 40	● 18	■ 15
13512H	■ 40	● 16	
13513H	■ 30	● 20	
13514H	■ 30	■ 20	
13515H	■ 30	● 18	■ 15
13516H	■ 30	● 16	
13517H	● 42.4	● 20	n°50
13518H	● 42.4	■ 20	
13519H	● 42.4	● 18	■ 15
13520H	● 42.4	● 16	
13521H	● 38.1	● 20	
13522H	● 38.1	■ 20	
13523H	● 38.1	● 18	■ 15
13524H	● 38.1	● 16	



Bracket

Preferred type, readily available (codes marked in red)



AISI 304
Stainless steel



Nickel plated brass



Reinforced polyamide



Accessories



BRACKET WITH HAND KNOB (Hand knob/eyelet does not mark rod surface)

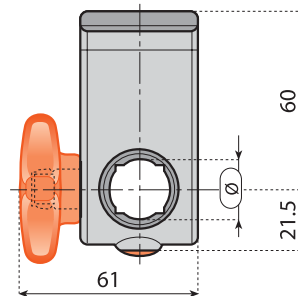
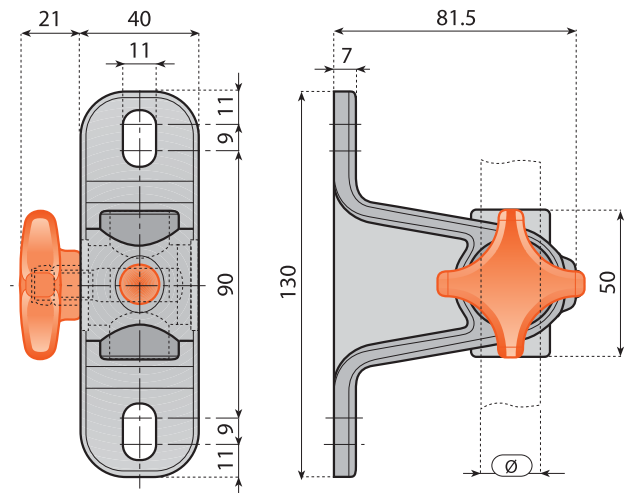
Material: bracket in reinforced polyamide, eyelet in metal, knob in polyamide with bushing insert in nickel plated brass, washer in stainless steel.

Features: knob fastening provides holding and positioning for many rods.

Heavy duty construction for increased strength and rigidity.

Supply: assembled.

Code	For rod Ø (mm)		
	●	■	
13231	14	12	n°50
13232	15	–	
13233	16	14	
13234	18	–	
13235	20	16	

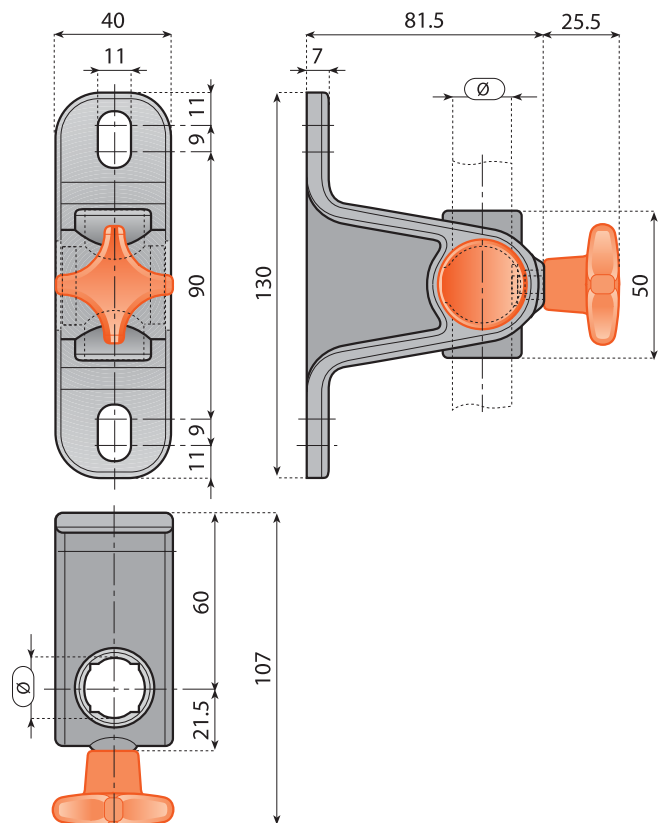


BRACKET WITH SCREW OR HAND KNOB

Material: bracket in reinforced polyamide, stainless steel screw, knob in polyamide with threaded insert in stainless steel.

Supply: assembled.

Code	with screw	with knob	For rod Ø (mm)		
			●	■	
13236	13237	14	12	n°50	
13238	13239	15	–		
13240	13241	16	14		
13242	13243	18	–		
13244	13245	20	16		



Universal clamp for photocells or reflectors

 Preferred type, readily available (codes marked in red)



AISI 304
Stainless steel



Nickel plated brass



Reinforced polyamide



Accessories



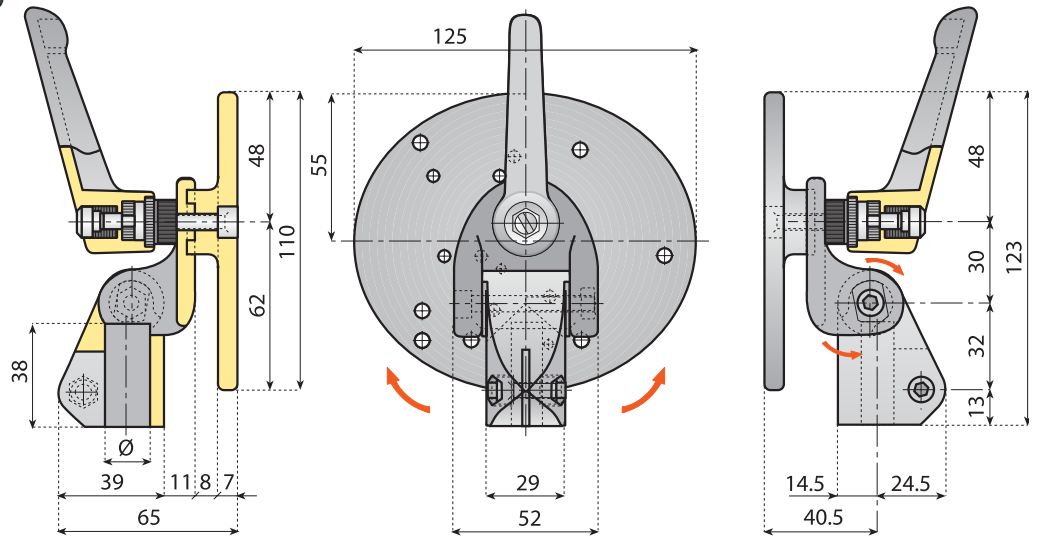
Movement on the three axis

UNIVERSAL CLAMP WITH ADJUSTABLE HANDLE FOR PHOTOCELLS OR REFLECTORS

Material: clamp in reinforced polyamide, tightening bolt in stainless steel, adjustable handle in polyamide with threaded insert in nickel plated brass.

Supply: assembled.

Note: max recommended tightening torque 2 Kgm.



Code

Code	For rod Ø (mm)	
13616H	14	
13617H	15	
13618H	16	n°50
13619H	18	
13620H	20	



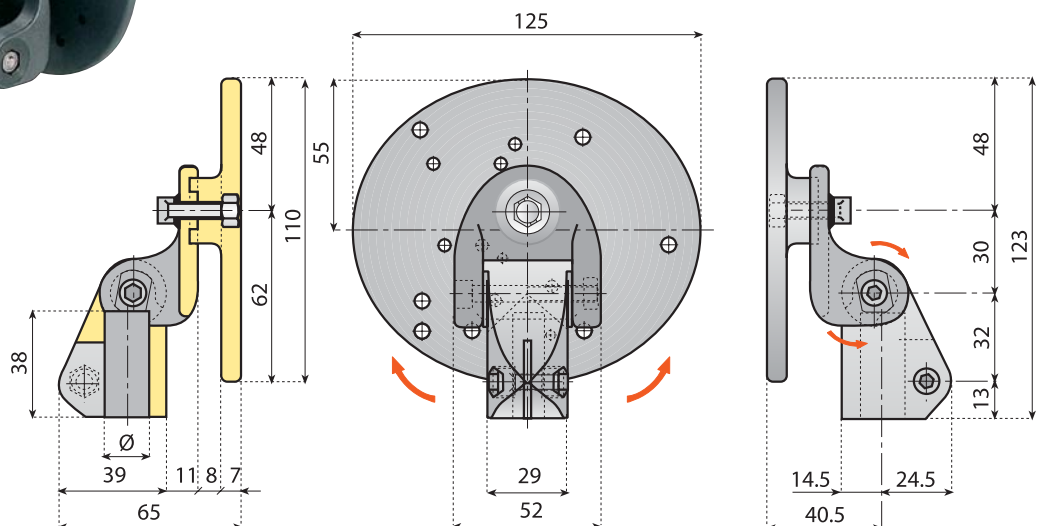
Movement on the three axis

UNIVERSAL CLAMP FOR PHOTOCELLS OR REFLECTORS

Material: clamp in reinforced polyamide, tightening bolt in stainless steel.

Supply: assembled.

Note: max recommended tightening torque 2 Kgm.



Code

Code	For rod Ø (mm)	
13616	14	
13617	15	
13618	16	n°50
13619	18	
13620	20	

Suitable photocell types



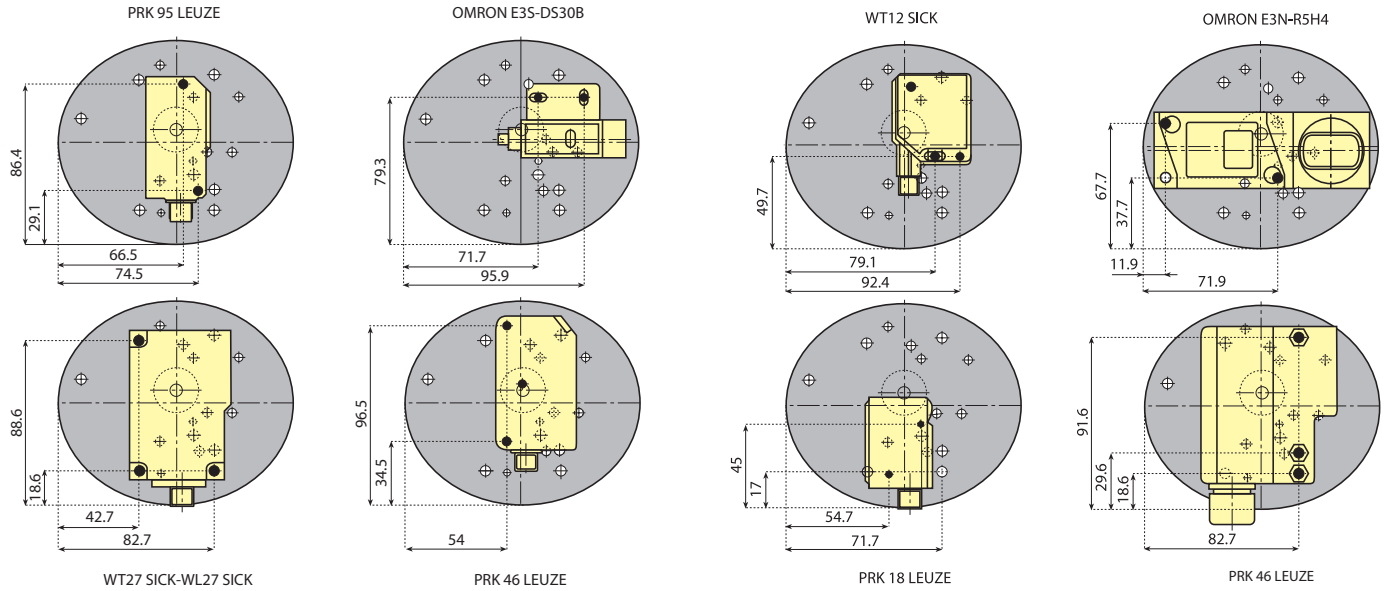
AISI 304
Stainless steel



Reinforced polyamide



Accessories

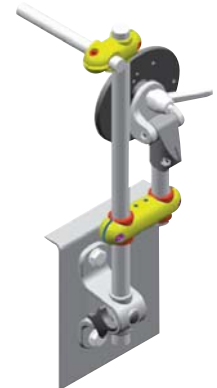


KIT UNIVERSAL CLAMP FOR PHOTOCELLS OR REFLECTORS WITH TUBE

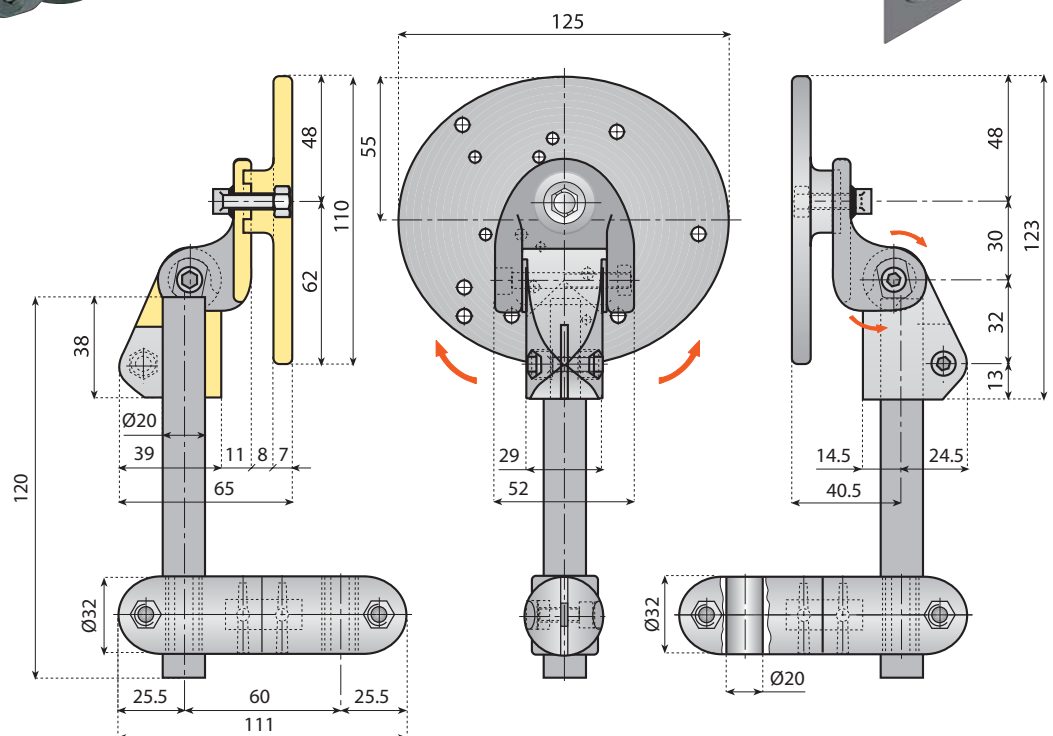
Material: cross clamp in reinforced polyamide, tightening bolt and tube in stainless steel.

Supply: assembled.

Note: max recommended tightening torque 2 Kgm.



Movement on the three axis



Code
13615

For rod Ø (mm)
20

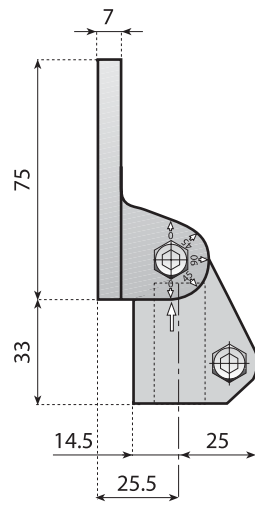
n°50

Clamp for photocells or reflectors

 Preferred type, readily available (codes marked in red)

SS 304
AISI 304
Stainless steel

PA FG
Reinforced
polyamide



Pos. A

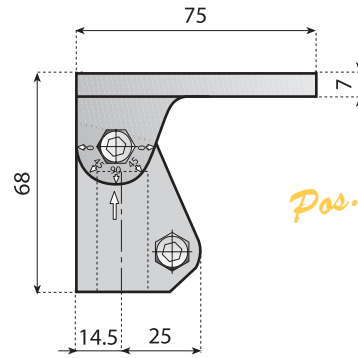
CLAMP FOR PHOTOCELLS OR REFLECTORS

Material: reinforced polyamide, tightening bolts in stainless steel AISI 304.

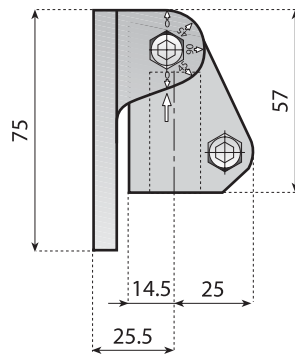
Use: can be fitted in position A - B - C

Supply: assembled, (position A).

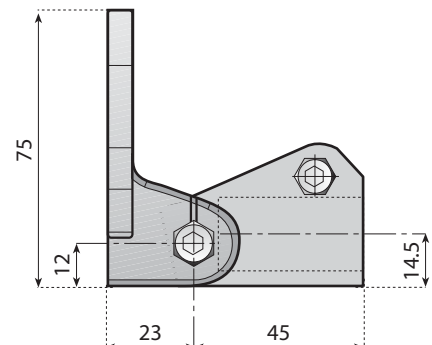
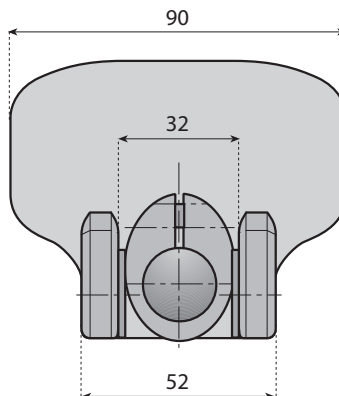
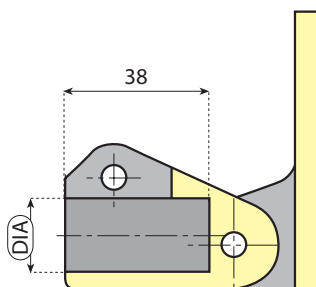
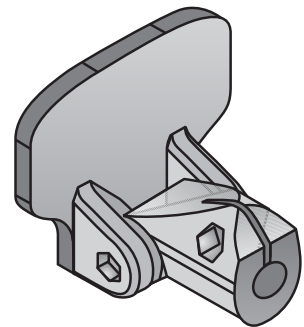
Code	For rod Ø (mm)	
13500	14	
13505	15	
13506	16	n°50
13507	18	
13508	20	



Pos. B



Pos. C



Photocell accessories

Preferred type, readily available (codes marked in red)



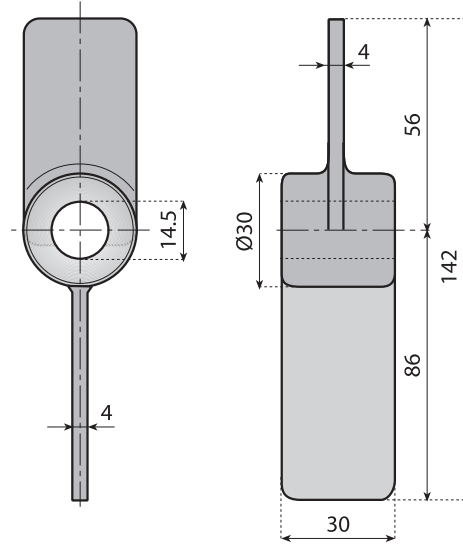
AISI 304
Stainless steel



Nickel plated brass



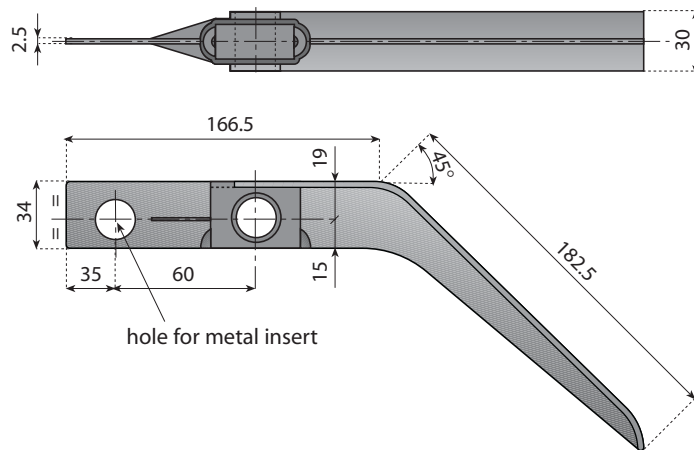
Reinforced polyamide



BOTTLE INDICATOR

Application: activation of photocells on conveyors and machines.

Code	Material	
13150	PA-FG	n°50

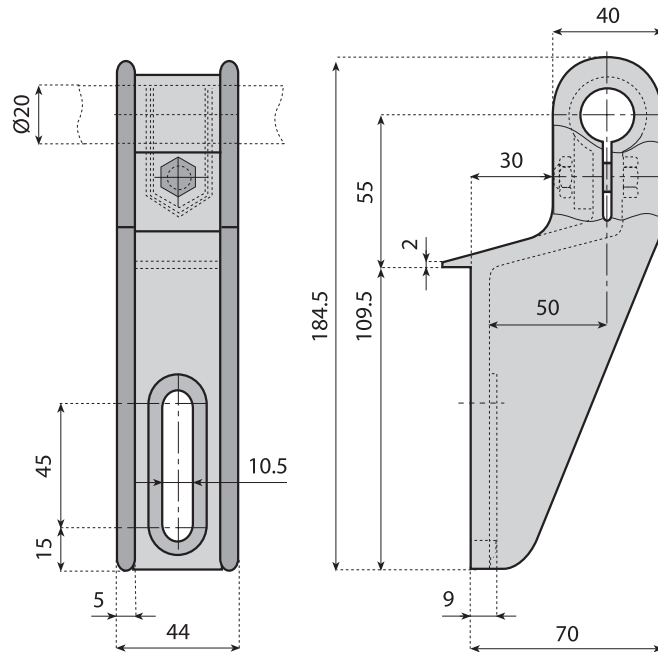


CONTROL CONTACT LEVER

Application: activation of photocells on conveyors and machines.

Code		Material
13149	with hole	n°50
13149SF	without hole	PA-FG

Photocell accessories



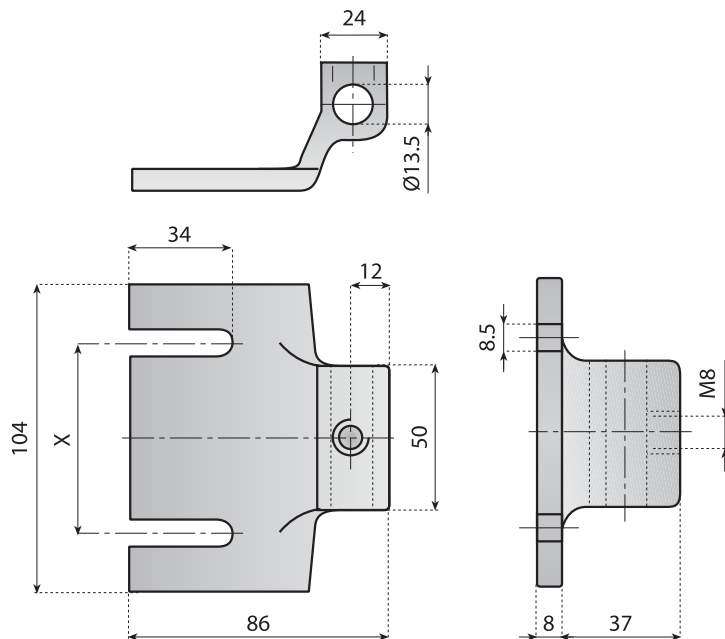
SIDE BRACKET FOR HORIZONTAL TUBES

Material: bracket in reinforced polyamide, nut, bolt and washers in stainless steel AISI 304.
Supply: assembled.

Code
13898



n°50



CLAMP BRACKET OVER HEAD

Material: bracket in reinforced polyamide, threaded bushing in nickel plated brass.

Code
13846
13899

X

55
 64.5



n°50

Split shafting collars

Preferred type, readily available (codes marked in red)

SPLIT SHAFTING COLLAR

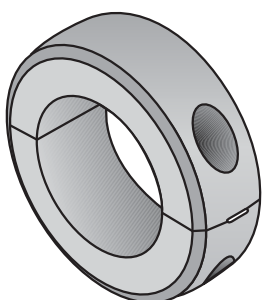
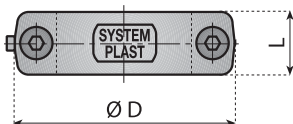
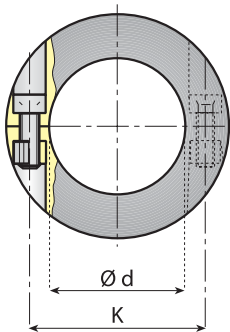
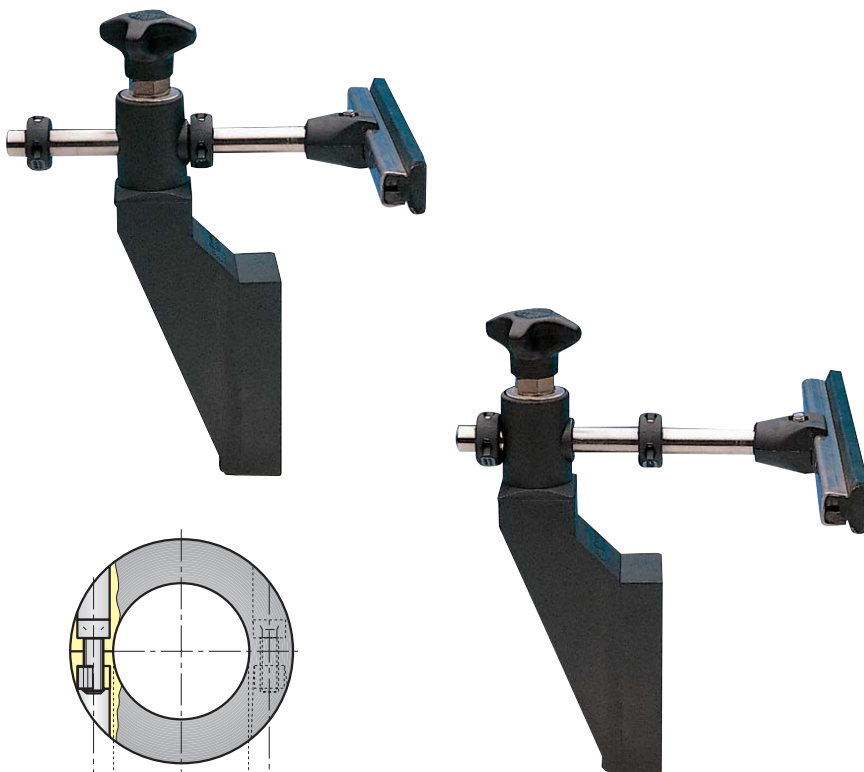
Material: reinforced polyamide, bolts in stainless steel, threaded insert in nickel plated brass.

Use: these parts can be used on the conveyors as a reference point when the side guides need to be repositioned.

Note: The new collars offer high corrosion resistance. The new part exhibits high strength at considerably less cost than stainless steel.

The new collars are the ideal replacement for conventional collars in situation where they cannot be easily removed and replaced.

Supply: assembled.



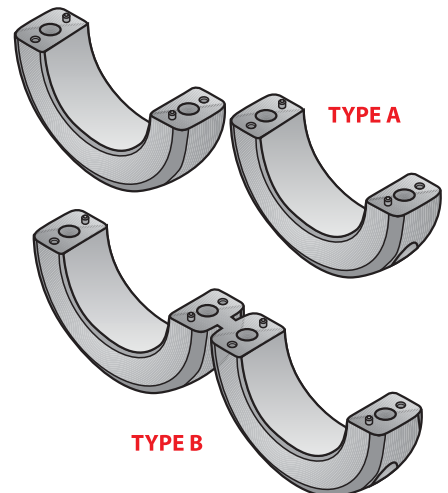
Reinforced polyamide



AISI 304 Stainless steel



Nickel plated brass



Code	Type	d	D	L	K	Screws	
12696	B	10	30	12	20	M3	
12698	A	12	30	12	20	M3	
12700	A	14	28	12	20	M3	
12697	B	15	39	14	27	M4	
12701	A	16	30	12	22	M3	
12699	A	18	39	14	27	M4	
12702	A	20	39	14	29	M4	n°100
12703	A	25	44	14	34	M4	
12704	A	30	49	16	39	M4	
12714	B	30	49	14	39	M4	
12705	A	35	56	16	45	M4	
12706	A	40	64	18	51.5	M5	
12715	B	40	64	14	51.5	M4	



Split shafting collars for shaft with keyway

 Preferred type, readily available (codes marked in red)



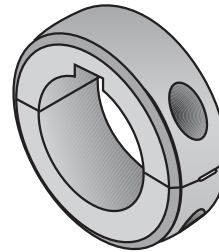
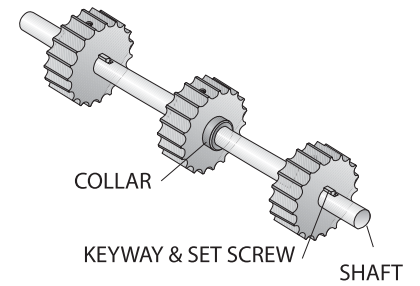
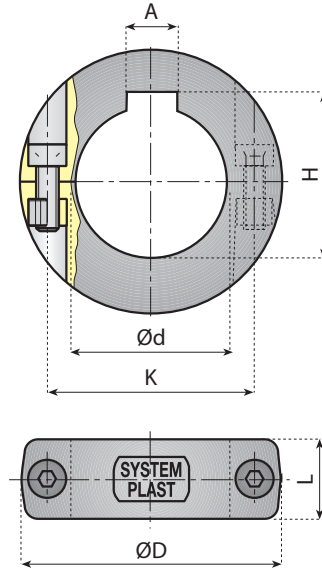
AISI 304
Stainless steel



Nickel plated brass



Reinforced polyamide




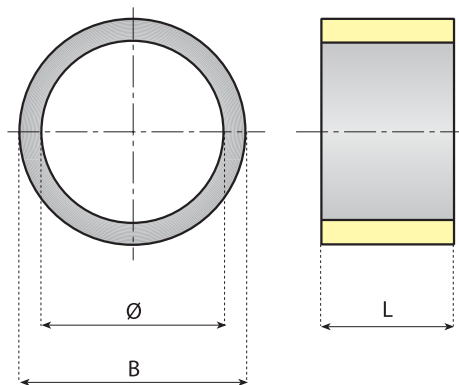
SPLIT SHAFTING COLLAR

Material: reinforced polyamide, screws in stainless steel, threaded insert in nickel plated brass.


Use: for shaft with key way.

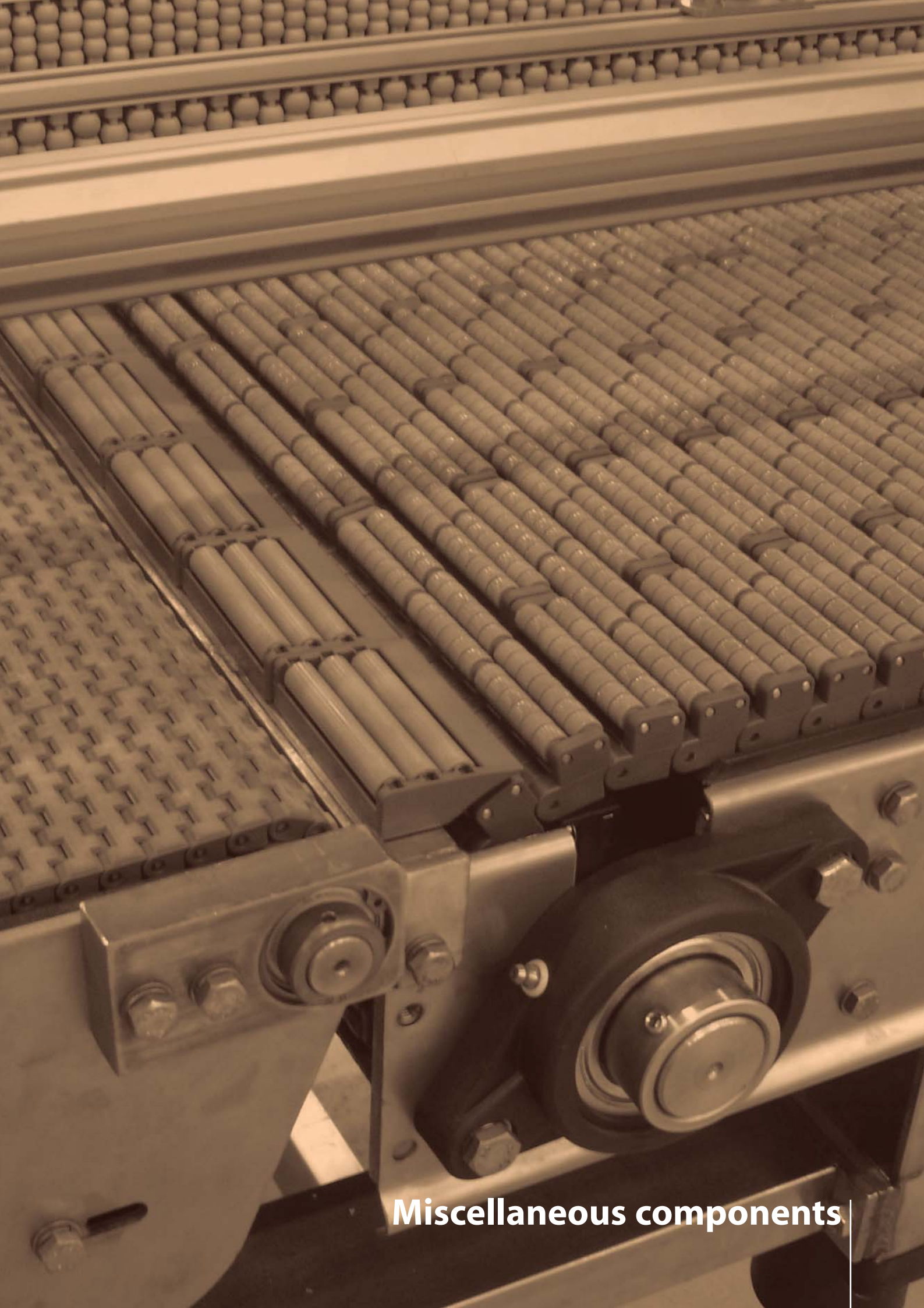
Supply: assembled.

Code	d	D	A	H	L	K	Screws	
12710	25	45	8 P9	28.3 ^{+0.2} ₀	14	34	M4	n°100
12709	30	50	8 P9	33.3 ^{+0.2} ₀	16	39	M4	
12708	35	57	10 P9	38.3 ^{+0.2} ₀	16	45	M4	
12707	40	64	12 P9	43.3 ^{+0.2} ₀	18	51.5	M5	



IDLER SPACER

Code	For shaft Ø	B	L		Material
12829	30	40	29	n°50	PA
12830	40	50	29		



Miscellaneous components

Hinges

 Preferred type, readily available (codes marked in red)



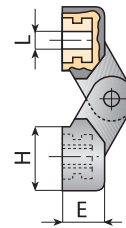
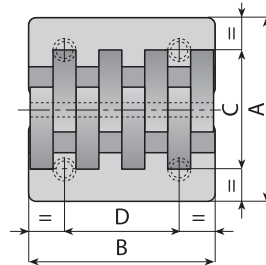
AISI 303
Stainless steel



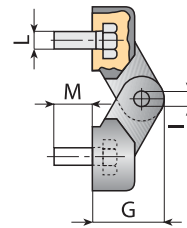
Nickel plated brass



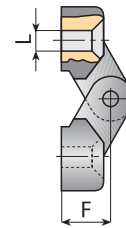
Reinforced polyamide



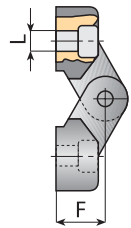
TYPE 1



TYPE 2



TYPE 3



TYPE 4

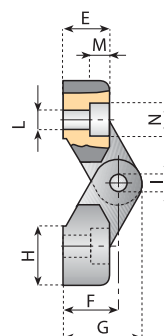
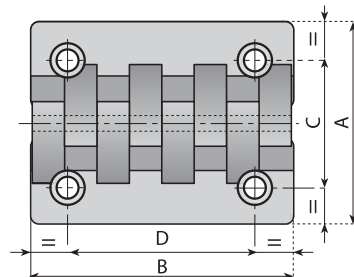
HINGE

Material: reinforced polyamide, pin and screw in stainless steel AISI 303, threaded insert in brass.

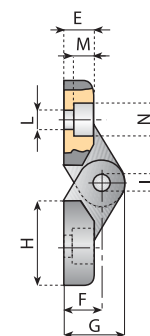
Notes: door can be opened up to 180°.

Supply: assembled.

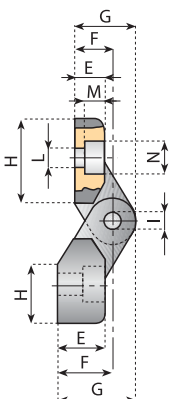
Code	Type	A	B	C	D	E	F	G	H	I	L	M	
40081	1											M4	•
40079	1											M5	•
40080	2	39	40	25	25	10	10.5	15	14	3	M4	14	n°50
40018	3											4.2	•
40070	4											4.2	•
40078	4											5.5	•
40012	1											M5	•
40009	1											M6	•
40015	2	49	49	31	30	11	13	19	17	4	M5	14	n°50
40019	3											5.5	•
40031	4											5.5	•
40067	1											M5	•
40013	1											M6	•
40069	1	64	65	40	40	13.5	15	23	24	5	M8	•	n°50
40016	2											M6	17
40020	3											6.5	•
40068	4											6.5	•
40014	1											M10	•
40017	2	97.5	97.5	63	60	20.5	23	35	35	8	M10	20	n°50
40021	3											10.5	•



TYPE 1



TYPE 2



TYPE 3

HINGE

Material: reinforced polyamide, pin in stainless steel AISI 303.

Notes: door can be opened up to 180°.

Supply: assembled.

Code		Type	A	B	C	D	E	F	G	H	I	L	M	N	
Black	Grey														
14112	14112G	2					11.5	14.5	23.5			6.5	6	10.5	
14113	14113G	1					18	21	30	11.5		6.5	6	10.5	
14106	14106G	2	80	102	49.5	72.5	11.5	14.5	23.5	18		8.5	8	13.5	
14107	14107G	1					18	21	30	11.5	6	8.5	8	13.5	n°50
14136	14136G	3					11.5/18	14.5/21	23.5/30	18		6.5	6	10.5	
14137	14137G	3					11.5/18	14.5/21	23.5/30	11.5/18		8.5	8	13.5	

Hinges and handles

Preferred type, readily available (codes marked in red)



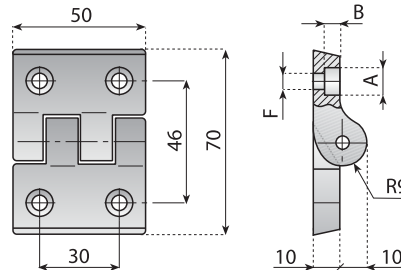
AISI 303
Stainless steel



Nickel plated brass



Reinforced polyamide



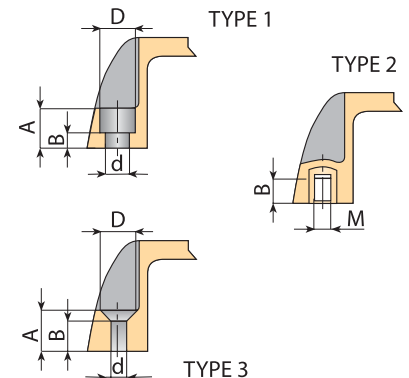
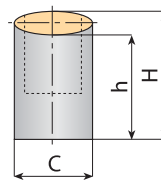
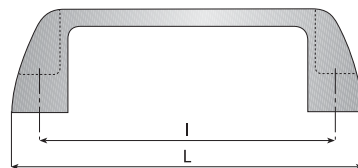
HINGE

Material: reinforced polyamide, pin in stainless steel AISI 303.

Note: door can be opened up to 180°.

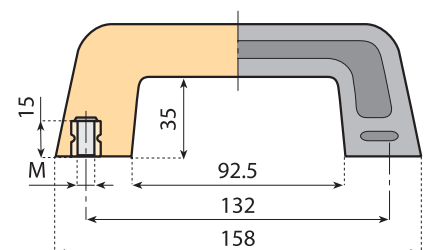
Supply: assembled.

Code	F	A	B	
14104	6.5	10.5	6	n°50
14105	8.5	13.5	4	



HANDLE

Code	Type	I	L	C	H	h	A	B	D	d	M		Material	
14121	1	93.5	112	21	36	30	13	6	10.5	6.5	-			
14124	2	93.5	112	21	36	30	-	9	-	-	M6			
14122	1	117	139	26	41	34	15	8.5	10.5	6.5	-			
14123	1	117	139	26	41	34	15	6	13	8.5	-			
14125	2	117	139	26	41	34	-	9	-	-	M6			
14126	2	117	139	26	41	34	-	9	-	-	M8			
14131	1	120	139	26	41	34	10	5	9	5.5	-	n°50	PA-FG	Black
14130	1	120	139	26	41	34	10	4	10.5	6.5	-			
14132	2	120	139	26	41	34	-	8	-	-	M5			
14133	2	120	139	26	41	34	-	9	-	-	M6			
14128	3	120	139	26	41	34	10	8	9	5	-			
14129	3	120	139	26	41	34	10	7	10.5	5.5	-			



HANDLE

Material: reinforced polyamide, threaded insert in brass.

Code	M		
14118	8	n°50	Black
14119	10		

Handles

 Preferred type, readily available (codes marked in red)



Nickel plated brass





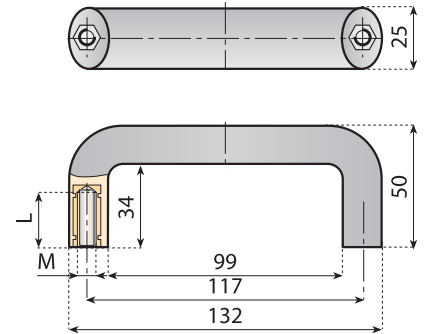
Reinforced polyamide



HANDLE



Material: polyamide, threaded insert in brass.

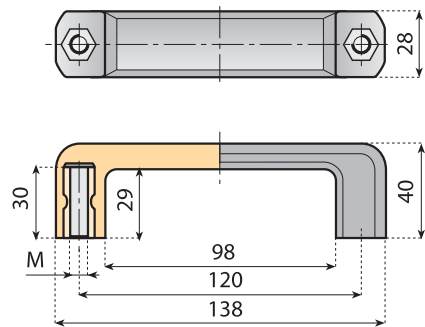
Code	M		
14140	6		
14141	8	n°50	Black
14142	10		



HANDLE




Material: polyamide, threaded insert in brass.

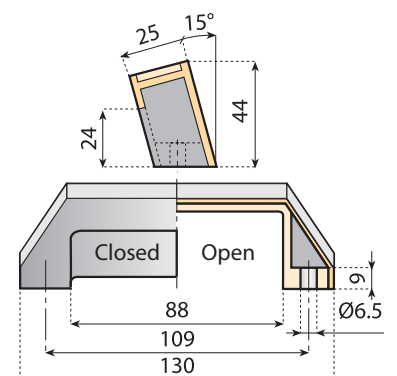
Code	M		
14115	6		
14116	8	n°50	Black
14117	10		



SAFETY HANDLE WITH COVER

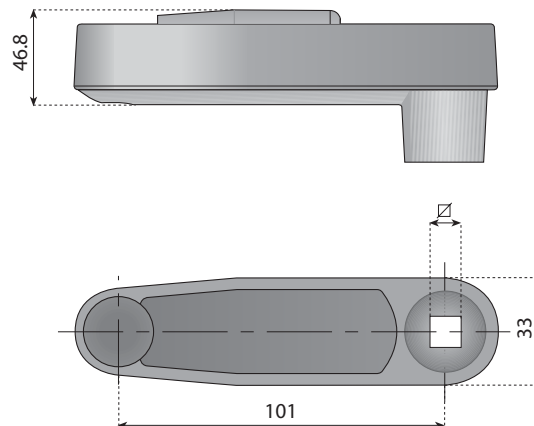
Application: with screws M5.

Code	Type	Colour			
14114	Closed	Orange			Black and Orange
14114G	Closed	Grey	n°50	PA-FG	Black and Gray
14135	Open	Orange			Black and Orange
14135G	Open	Grey			Black and Gray



Crank Handles

Preferred type, readily available (codes marked in red)



Reinforced polyamide

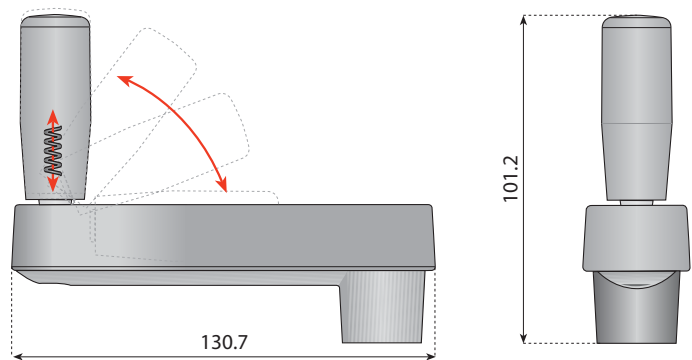


Stainless steel

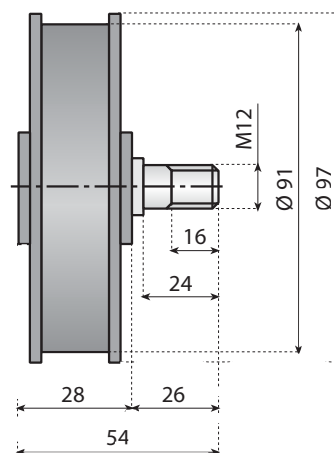
Crack Handles

Material: Reinforced polyamide, threaded insert in stainless steel.

Code	Size	Quantity	Material	Color
14160	8x8	50	PA-FV	Black
14161	10x10			



Winding tensioner



Steel plated brass



Reinforced polyamide



304 Stainless steel

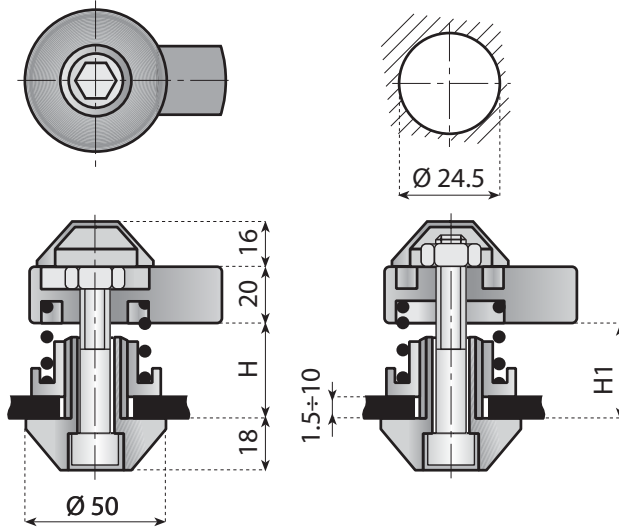
Version Standard	Version with grease	Insert Material	Direction of travel	Load gr.	Winding Trave	Quantity	Color
14280	14280G	Steel plated brass	Right	0 ÷ 4000	2500	n°10	Black
14281	14281G	Steel plated brass	Left	0 ÷ 4000	2500	n°10	Black
14280-SS	14280G-SS	Stainless steel	Right	0 ÷ 4000	2500	n°10	Black
14281-SS	14281G-SS	Stainless steel	Left	0 ÷ 4000	2500	n°10	Black

Winding tensioner

Material: body in reinforced polyamide insert see in the table.

Lock

 Preferred type, readily available (codes marked in red)



Assembly n°1

Assembly n°2



AISI 303
Stainless steel



Reinforced
polyamide

Lock

Material: body and safety cap in reinforced polyamide, screw, nut and spring in stainless steel AISI 304.

Application: closure of doors.

Assembly: assembly lock as shown in assembly drawing number 1, when the dimension H is suitable for assembly distance between 30-36 mm. When the distance H1 is between 23-28 mm, follow assembly procedure drawing number 2.

H = 30 ÷ 36 (min. - max)
H1 = 23 ÷ 28 (min. - max)

Code

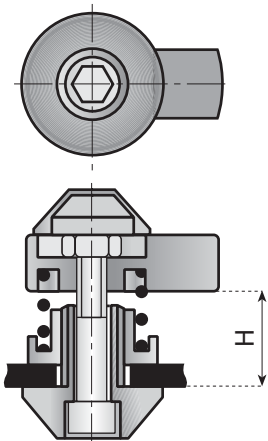
14290



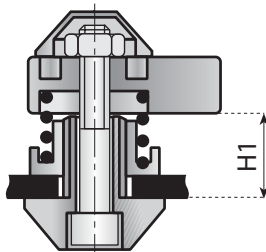
n°10

ASSEMBLING INSTRUCTION FOR THE LOCK

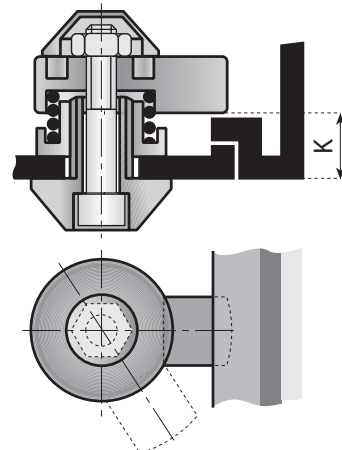
Assemble lock as shown in assembly n°1 when the size "K" is between 30 (min.) and 36 mm (max), when the size "K" is between 23 (min.) and 28 mm (max) follow assembly procedure n°2.



Assembly n°1



Assembly n°2



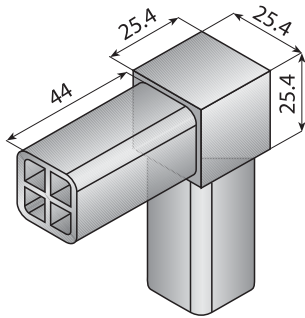
Connecting joints



Reinforced polyamide

Preferred type, readily available (codes marked in red)

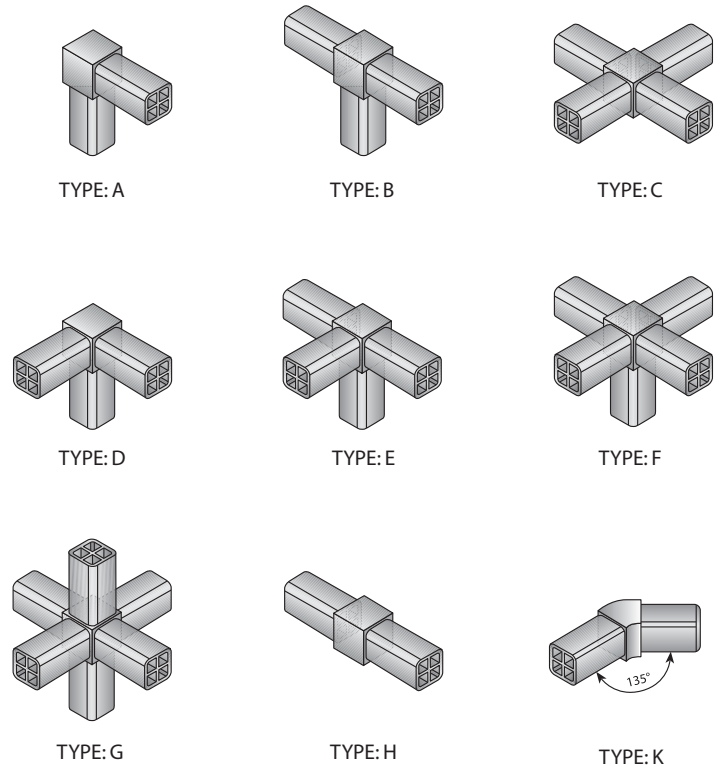
FOR TUBES 25 x 25 x 1,5 mm



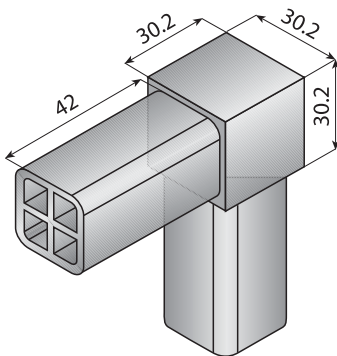
Code	Type		Material	
40001	A			
40002	B	-	PA-FG	Black
40003	C			
40004	D			
40005	E	-	PA-FG	Black
40006	F			
40007	G			
40008	H	-	PA-FG	Black
40035	K			

Application:

joints can be used with square tubes 25x25x1,5 mm.



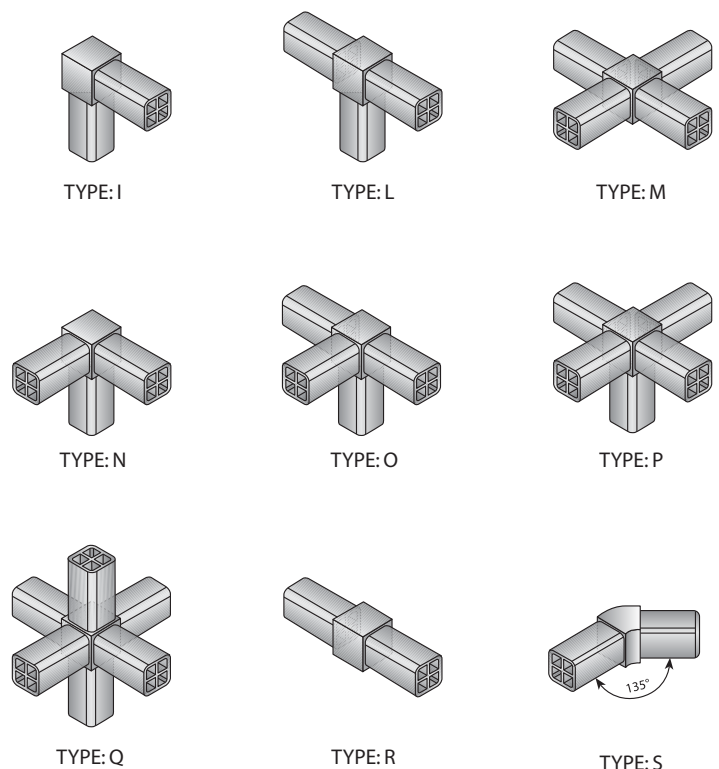
FOR TUBES 30 x 30 x 2 mm



Code	Type		Material	
40022	I			
40023	L	-	PA-FG	Black
40024	M			
40025	N			
40026	O	-	PA-FG	Black
40027	P			
40028	Q			
40029	R	-	PA-FG	Black
40036	S			

Application:

joints can be used with square tubes 30x30x2 mm.



Connecting joints with aluminium insert

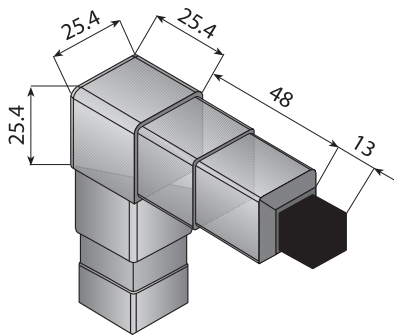
 Preferred type, readily available (codes marked in red)



Reinforced
polyamide

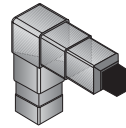


Aluminium

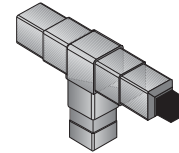


*Heavy Duty
System*

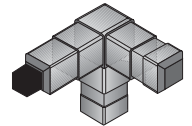
FOR TUBES 25 x 25 x 1,2 mm



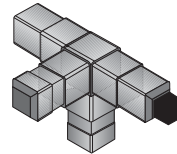
TYPE: AI



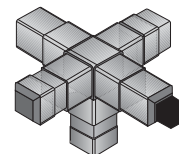
TYPE: BI



TYPE: DI



TYPE: EI



TYPE: FI

Code

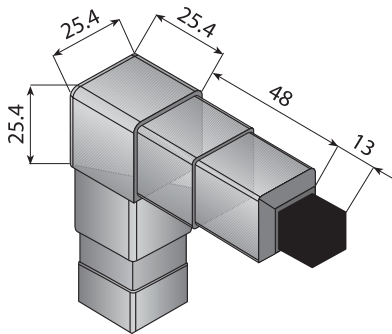
Type



40037	AI	n°50	Black
40038	BI		
40039	DI		
40047	EI		
40058	FI		

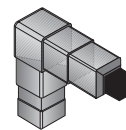
Material: reinforced polyamide with aluminium insert.

Application: joints can be used with square tubes 25x25x1,2 mm.

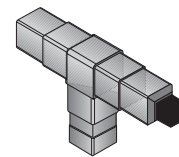


*Heavy Duty
System*

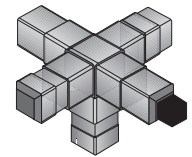
FOR TUBES 25 x 25 x 1.5 mm



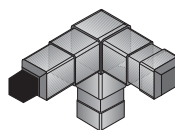
TYPE: II



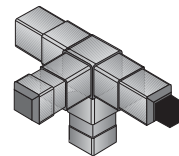
TYPE: LI



TYPE: MI



TYPE: NI



TYPE: OI

Code

Type



40043	II	n°50	Black
40044	LI		
40046	MI		
40045	NI		
40066	OI		

Material: reinforced polyamide with aluminium insert.

Application: joints can be used with square tubes 25x25x1,5 mm.

Fixing clamps

Preferred type, readily available (codes marked in red)



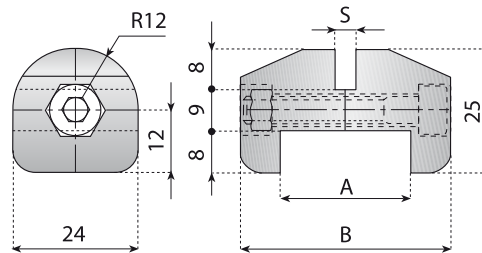
AISI 304
Stainless steel



P.V.C.



Reinforced
polyamide



PANEL CLAMPS

Material: reinforced polyamide with stainless steel bolt.

Application: panel clamp permits rapid installation of panels.

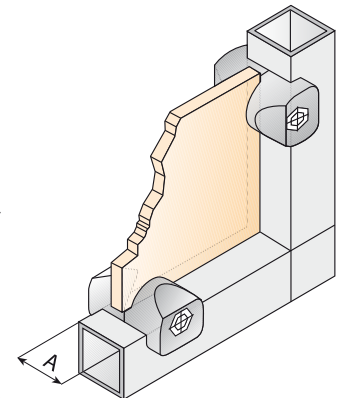
The distance of 8 mm. between the panel and the frame simplifies the safety guard cleaning.

It can be used with panels thickness 1.5 - 4 - 5 - 6 mm.

Supply: assembled.

Code	Tube	A	B	*S		
40055	25x25	25	40	1.5 mm	n°50	Black
40051	25x25	25	40	4 mm		
40052	25x25	25	40	5 mm		
40053	25x25	25	40	6 mm		
40071	30x30	30	45	4 mm		
40072	30x30	30	45	5 mm		
40073	30x30	30	45	6 mm		

*S = Panel thickness



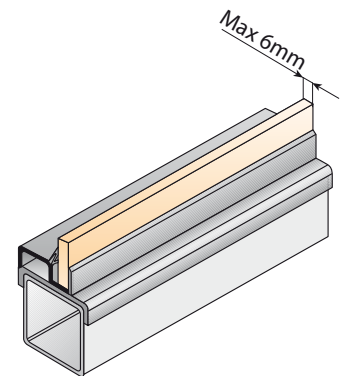
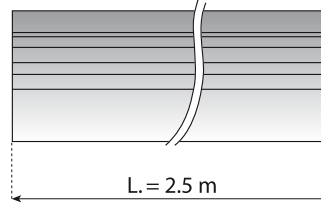
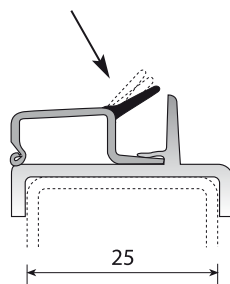
PROFILE FOR PLAIN TUBES

Material: rigid - flexible P.V.C.

Application: this profile can be used with plain tubes 25x25 mm in different materials.

If used for the mount panels and windows it offers the possibility to remove the panels without disassembling the complete structure, thanks to the special profile in PVC, partially rigid and partially flexible.

FLEXIBLE EDGE



Code

40064



2.5 m



n°10



Black

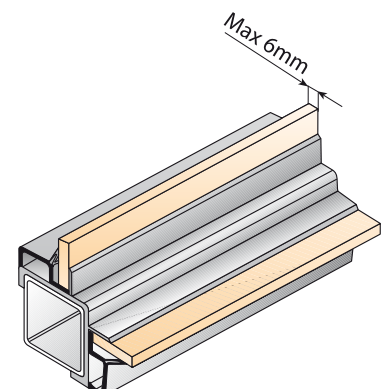
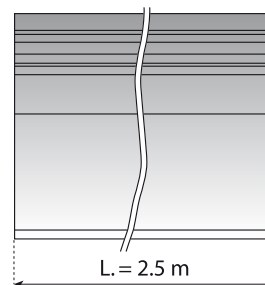
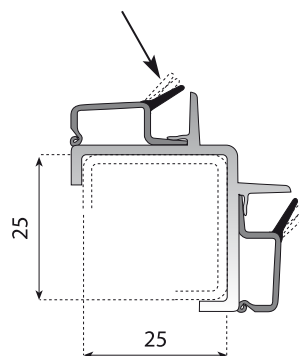
PROFILE FOR PLAIN TUBES

Material: rigid - flexible P.V.C.
Colour: black.

Application: this profile can be used with plain tubes 25x25 mm in different materials.

If used for the mount panels and windows it offers the possibility to remove the panels without disassembling the complete structure, thanks to the special profile in PVC, partially rigid and partially flexible.

FLEXIBLE EDGE



Code

40065



2.5 m



n°10



Black

Fixing profiles

 Preferred type, readily available (codes marked in red)



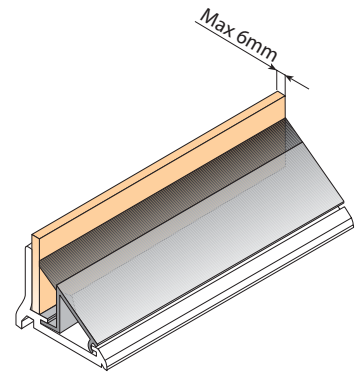
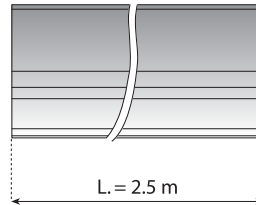
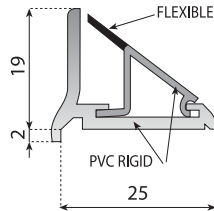
PROFILE FOR PLAIN TUBES

Material: rigid - flexible P.V.C.

Application: this profile can be used with plain tubes 25x25 mm in different materials.

If used for the mounting of panels and windows it offers the possibility to remove the panels without disassembling the complete structure, thanks to the special profile in PVC, partially rigid and partially flexible.

The special design of this section will accommodate panels of 3 - 4 - 5 - 6 mm.



Code

40048



2.5 m



n°10



Black

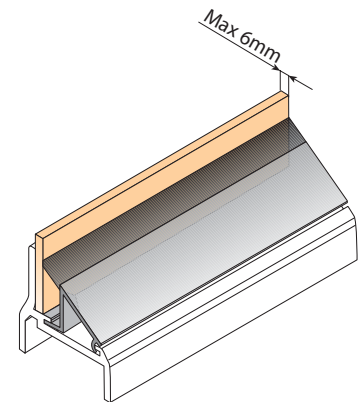
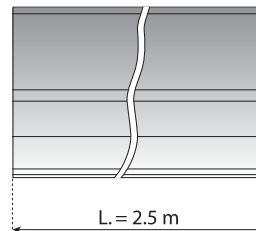
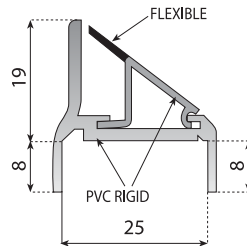
SYSTEM FRAME PROFILE FOR PLAIN TUBES

Material: rigid - flexible P.V.C.

Application: this profile can be used with plain tubes 25x25 mm in different materials.

If used for the mounting of panels and windows it offers the possibility to remove the panels without disassembling the complete structure, thanks to the special profile in PVC, partially rigid and partially flexible.

The special design of this section will accommodate panels of 3-4-5-6 mm.



Code

40049



2.5 m



n°10



Black

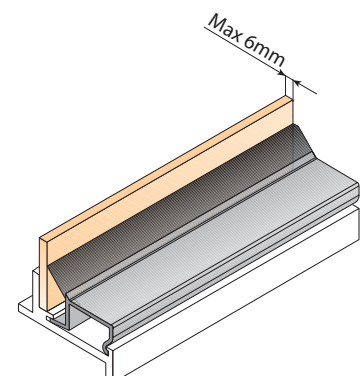
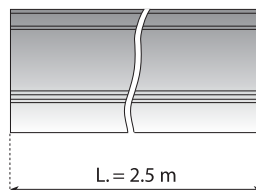
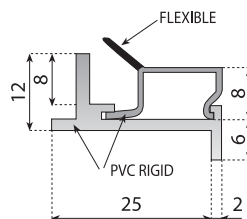
SYSTEM FRAME PROFILE FOR PLAIN TUBES

Material: rigid - flexible P.V.C.

Application: This profile can be used with plain tubes 25x25 mm or 30x30 mm in different materials.

If used for the mounting of panels and windows it offers the possibility to remove the panels without disassembling the complete structure, thanks to the special profile in PVC, partially rigid and partially flexible.

The special design of this section will accommodate panels of 3-4-5-6 mm.



Code

40056



2.5 m



n°10



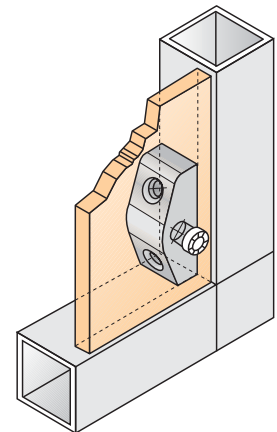
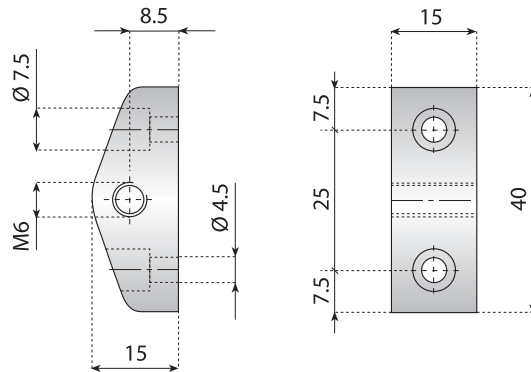
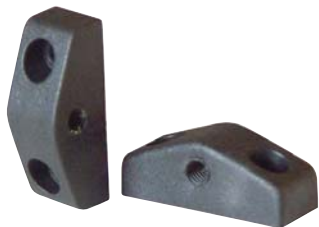
Black

Accessories

Preferred type, readily available (codes marked in red)

PE
Polyethylene UHMW

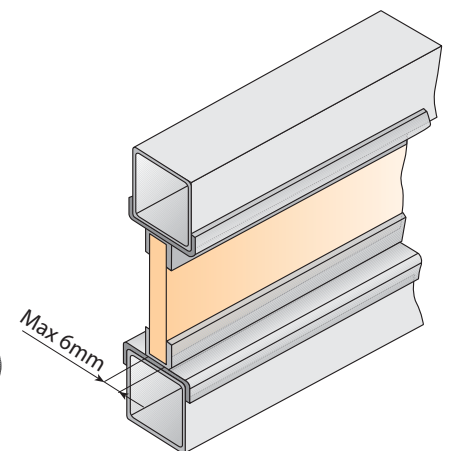
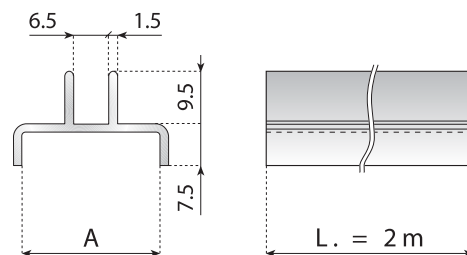
PA FG
Reinforced polyamide



FIXING BLOCK

Application: block permits rapid installation of the panels and can be used with panels of different thickness.
Supply: without screws.

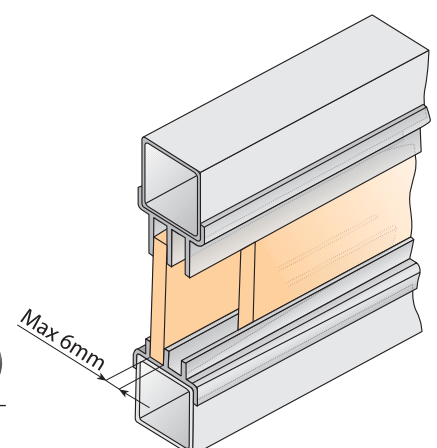
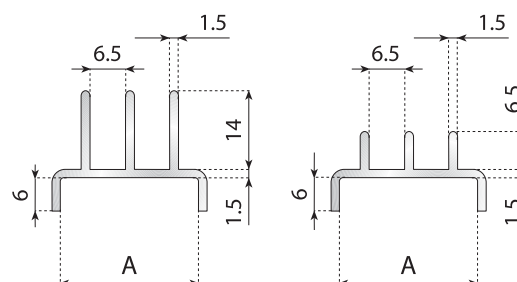
Code			Material	
40060	2.5 m	n°10	PA-FG	Black



PROFILE FOR PLAIN TUBE

Application: this profile can be used with square tubes 25x25 mm or 30x30 mm in different materials.

Code	A			Material	
40057	25	2 m	n°100	PE 1000	Black
40075	30				



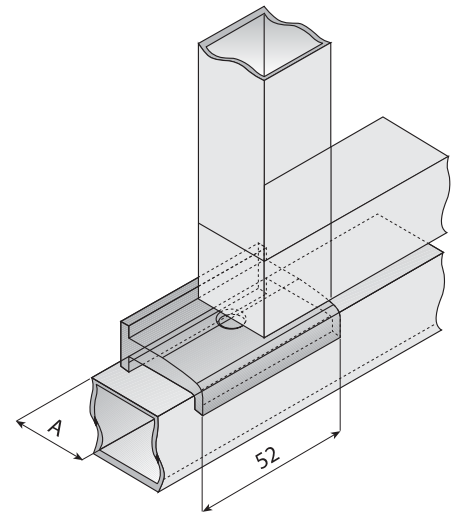
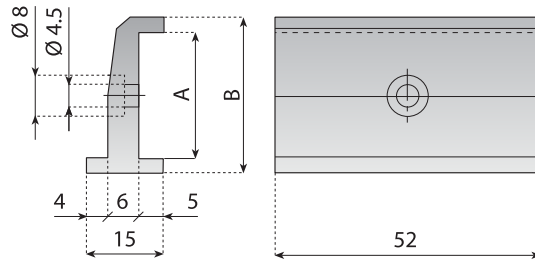
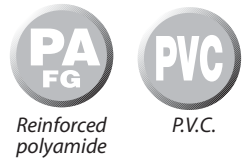
PROFILE FOR SLIDING PANELS

Application: this profile can be used with square tubes 25x25 mm or 30x30 mm in different materials. It is used for small sliding windows.
***Supply:** 2 m lengths in stock (1 upper and 1 lower profile).

Code	A			Material	
40054	25	2 m*	n°10	PE 1000	Black
40076	30				



Accessories

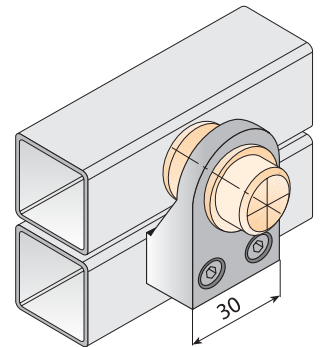
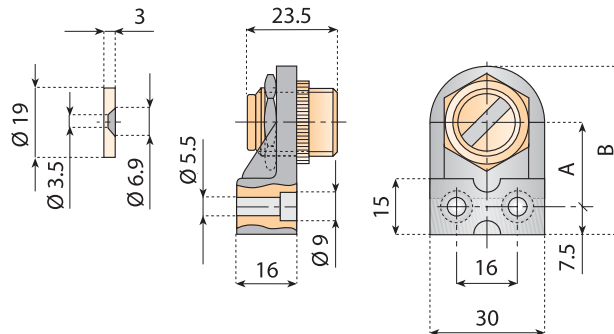
 Preferred type, readily available (codes marked in red)



DOOR STOP



Application: door stop is normally used in order to support and position doors or windows of machine guards.

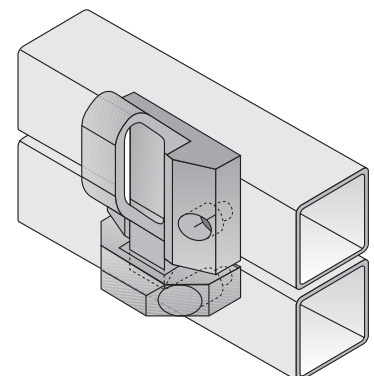
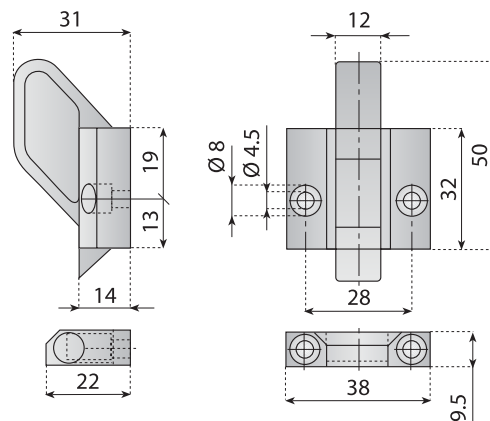
Code	A	B		Material	
40050	25	31	n°100	PA-FG	Black
40077	30	36			



MAGNETIC LOCK

Application: the magnetic lock guarantees rapid door locking. It is easy to install and can be used with various structures in different materials.

Code	A	B		Material	
14120	22.5	45	n°100	PA-FG	Black
14134	37	59.5			



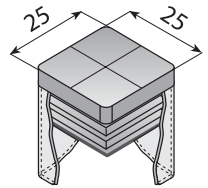
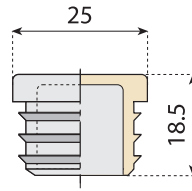
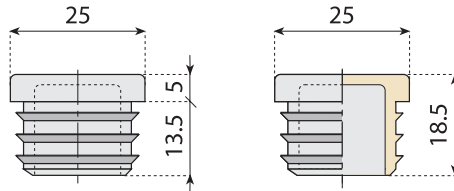
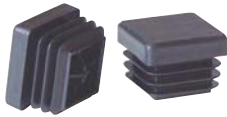
SPRING LOADED LATCH

Application: the latch guarantees a secure locking of doors and windows, and prevents the possibility of accidental opening.

Code		Material	
40059	n°100	PA-FG	Black

Closing caps

 Preferred type, readily available (codes marked in red)






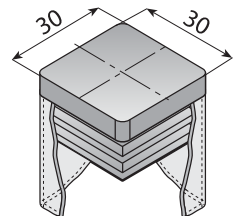
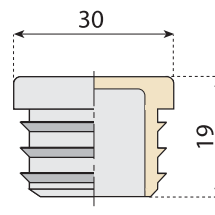
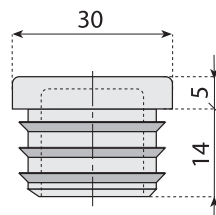
CLOSING CAPS

Application: square tubes, dimensions 25x25x1.5 mm or 25x25x1.2 mm.

Code

40010

		
n°100	PE	Black






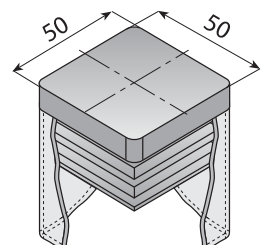
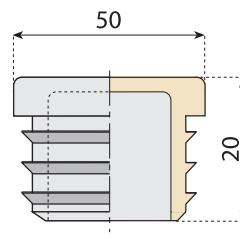
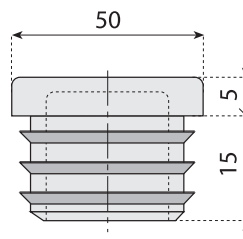
CLOSING CAPS

Application: square tubes, dimensions 30x30x2 mm.

Code

40030

		
n°100	PE	Black






CLOSING CAPS

Application: square tubes, dimensions 50x50x2.5 mm.

Code

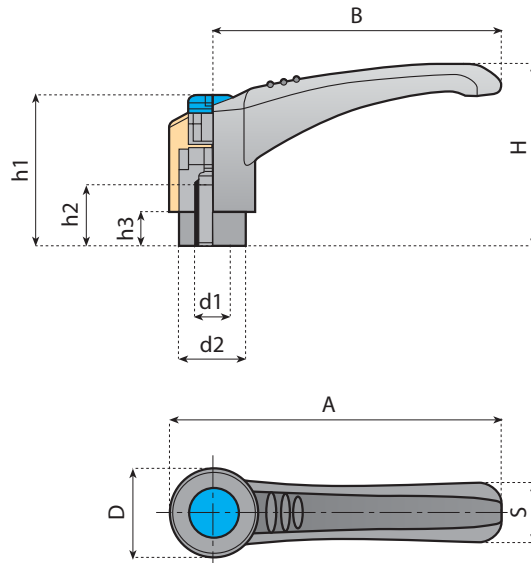
40011

		
n°100	PE	Black

Adjustable handles

 Preferred type, readily available (codes marked in red)

New design



AISI 304
Stainless steel





Nickel plated brass

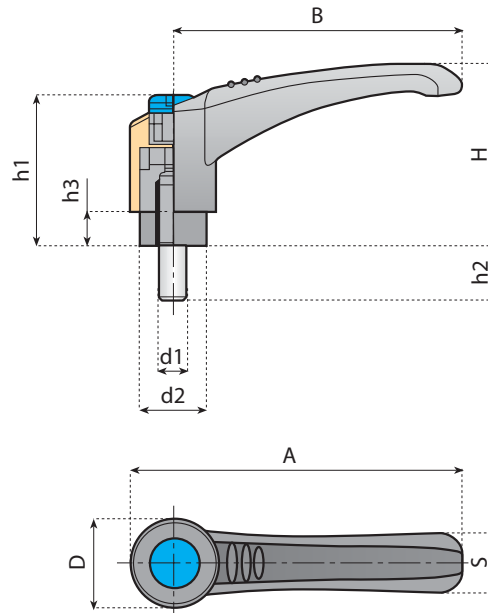


Polyamide

ADJUSTABLE HANDLE



Material: polyamide, insert in nickel plated brass.

Code	A	B	H	D	S	d1	d2	h1	h2	h3		
14220	53	45	33.5	16	10.5	M6	12	29	8	7.5	n°50	Black
14221	75	65	41	20	13.5	M8	15	34	11	7.5		
14222	92	80	53	24	16.5	M10	20	44	16	12		



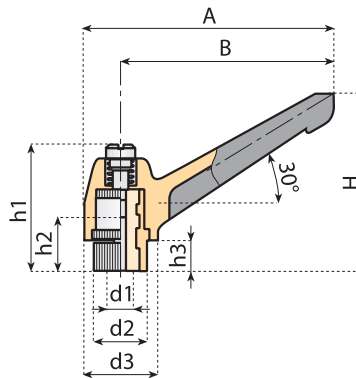
ADJUSTABLE HANDLE

Material: polyamide, threaded insert in stainless steel AISI 304.

Code	A	B	H	D	S	d1	d2	h1	h2	h3		
14230	53	45	33.5	16	10.5	M6	12	29	20	7.5	n°50	Black
14231									30			
14232	75	65	41	20	13.5	M8	15	34	20	7.5		
14234									30			
14235	92	80	53	24	16.5	M10	20	44	25	12	n°50	Black
14236									30			

Adjustable handles

Preferred type, readily available (codes marked in red)



AISI 304
Stainless steel



Nickel plated brass



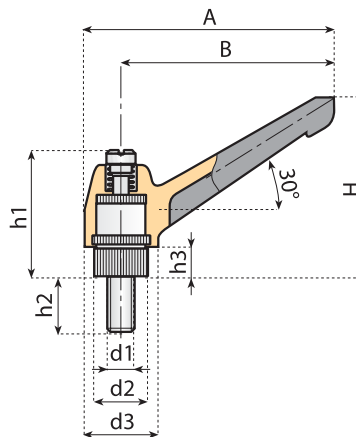
Polyamide



ADJUSTABLE HANDLE (30°)

Material: polyamide, insert in nickel plated brass.

Code	A	B	H	d1	d2	d3	h1	h2	h3		
14200	49	40	38	M6	11	18	30	12	7		
14201	65	55	49	M8	14	22	37	14	10	n°50	Black
14202	93	80	68	M10	20	29	48	20	12		



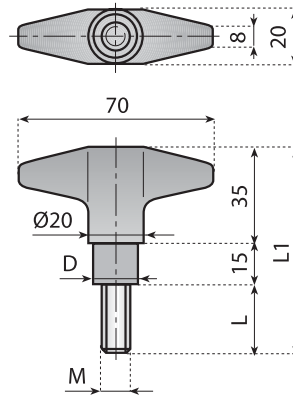
ADJUSTABLE HANDLE (30°)

Material: polyamide, threaded insert in stainless steel AISI 304.

Code	A	B	H	d1	d2	d3	h1	h2	h3		
14199	49	40	38	M6	11	18	30	15	7	n°50	Black
14203								20			
14204								25			
14205	65	55	49	M8	14	22	37	30	10	n°50	Black
14208								60			
14206	93	80	68	M10	20	29	48	25	12	n°50	Black
14207								30			

T-knob and tightening lever

 Preferred type, readily available (codes marked in red)





Nickel plated brass

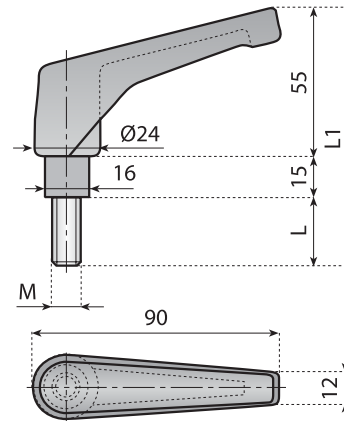


Polyamide

T-KNOB



Material: polyamide, insert in nickel plated brass.

Code	M	D	L	L1		
13058			20	70		
13059	M6	10	25	75	n°50	Black
13060			30	80		
13061			20	70		
13062	M8	10	25	75	n°50	Black
13063			30	80		
13064			20	70		
13065	M10	16	25	75	n°50	Black
13066			30	80		



TIGHTENING LEVER

Material: polyamide with nickel plated brass insert.

Code	M	A	L1		
13076		20	90		
13077	M8	25	95	n°50	Black
13078		30	100		
13079		20	90		
13080	M10	25	95	n°50	Black
13081		30	100		

Starknob male

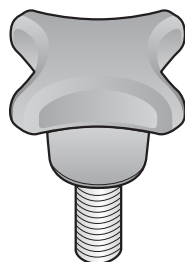
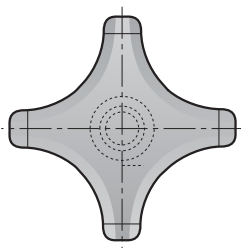
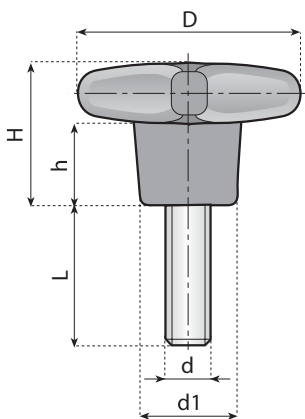
Preferred type, readily available (codes marked in red)



AISI 304
Stainless steel



Polyamide



Code		D	d	L	H	h	d1	
Black	Orange							
13414	13414A	20	M4	10	13	7	8.5	n°100
13415	13415A		M4	15				
13416	13416A		M4	20				
13417	13417A		M4	25				
13418	13418A		M5	10				
13419	13419A		M5	15				
13420	13420A		M5	20				
13421	13421A		M5	25				
13422	13422A		M6	10				
13423	13423A		M6	15				
13424	13424A	M6	20					
13425	13425A	M6	25					
13426	13426A	25	M4	10	16	8.5	11.5	n°100
13427	13427A		M4	15				
13428	13428A		M4	20				
13429	13429A		M4	25				
13430	13430A		M5	10				
13431	13431A		M5	15				
13432	13432A		M5	20				
13433	13433A		M5	25				
13434	13434A		M6	10				
13435	13435A		M6	15				
13436	13436A	M6	20					
13437	13437A	M6	25					
13438	13438A	30	M5	15	20.5	11.5	14	n°100
13439	13439A		M5	20				
13440	13440A		M5	25				
13441	13441A		M5	30				
13442	13442A		M6	15				
13443	13443A		M6	20				
13444	13444A		M6	25				
13445	13445A		M6	30				
13446	13446A		M8	15				
13447	13447A		M8	20				
13448	13448A	M8	25					
13449	13449A	M8	30					
13450	13450A	40	M6	15	25.5	14.5	17	n°100
13451	13451A		M6	20				
13452	13452A		M6	25				
13453	13453A		M6	30				
13454	13454A		M8	15				
13350	13350A		M8	20				
13456	13456A		M8	25				
13457	13457A		M8	30				
13458	13458A		M10	20				
13459	13459A		M10	25				
13460	13460A	M10	30					
13461	13461A	M10	35					
13462	13462A	50	M6	15	32	19	22	n°100
13463	13463A		M6	20				
13464	13464A		M6	25				
13465	13465A		M6	30				
13466	13466A		M8	15				
13467	13467A		M8	20				
13468	13468A		M8	25				
13469	13469A		M8	30				
13470	13470A		M10	20				
13471	13471A		M10	25				
13472	13472A	M10	30					
13473	13473A	M10	35					

STARKNOB

Material: polyamide, threaded insert in stainless steel AISI 304.

Note: starknob DIN 6335.

Starknob female

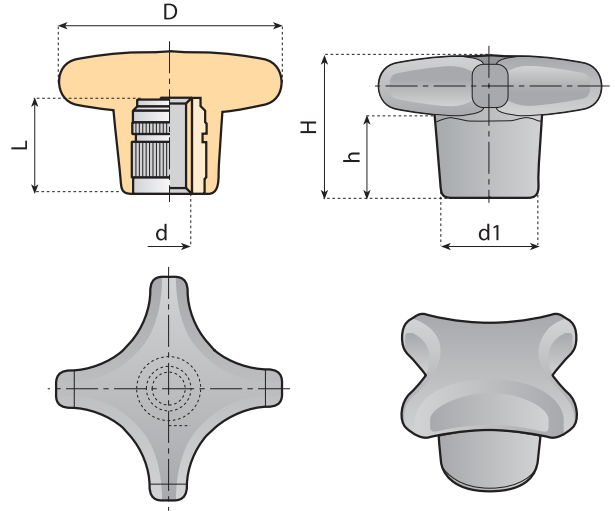
 Preferred type, readily available (codes marked in red)




Nickel plated brass



Polyamide

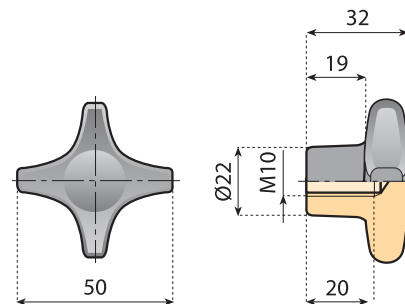


Code		D	d	L	H	h	d1	
Black	Orange							
13474	13474A		M4					
13475	13475A	20	M5	9	13	7	8.5	n°100
13476	13476A		M6					
13477	13477A		M4					
13478	13478A	25	M5	9	16	8.5	11.5	n°100
13479	13479A		M6					
13480	13480A		M8					
13481	13481A		M5					
13482	13482A	30	M6	15	20.5	11.5	14	n°100
13483	13483A		M8					
13484	13484A		M6					
13485	13485A	40	M8	17	25.5	14.5	17	n°100
13486	13486A		M10					
13487	13487A		M6					
13488	13488A	50	M8	17	32	19	22	n°100
13489	13489A		M10					

STARKNOB

Material: polyamide, bushing in nickel plated brass.

Note: starknob DIN 6335.



KNOB

Note: max. torque on the knob 3.5 Kgm.

Code
13489S Without insert



n°100



Black

Knobs

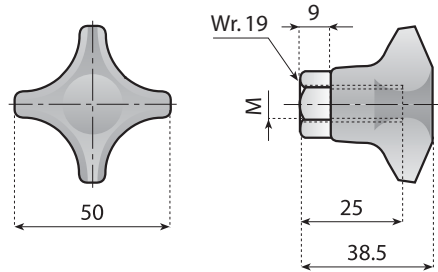
Preferred type, readily available (codes marked in red)



Nickel plated brass



Reinforced polyamide

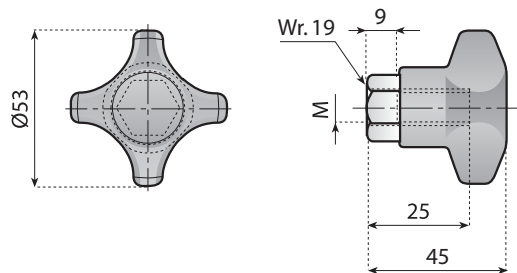


KNOB

Material: reinforced polyamide, hexagonal insert in nickel plated brass.

Note: max. torque on the knob 2.5 Kgm.
For further tightening work on the hexagon.

Code	M	
13341	6	n°100
13345	8	
13343	10	

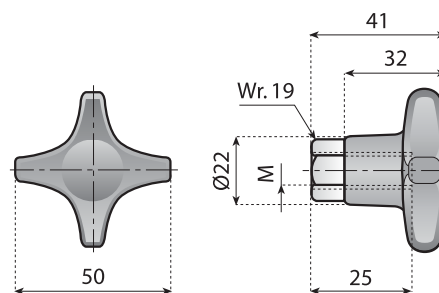


KNOB

Material: reinforced polyamide, hexagonal insert in nickel plated brass.

Note: max. torque on the knob 2.5 Kgm.
For further tightening work on the hexagon.

Code	M	
13357	6	n°100
13356	8	
13355	10	



KNOB

Material: reinforced polyamide with nickel plated brass insert.

Note: max. torque on the knob 3.5 Kgm.

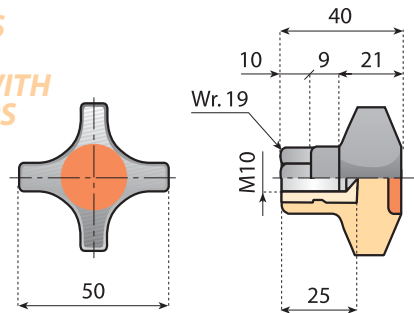
Code	M	
13491	6	n°100
13492	8	
13493	10	

Knobs

 Preferred type, readily available (codes marked in red)



ON REQUEST IT IS POSSIBLE TO SUPPLY KNOBS WITH CUSTOMIZED CAPS



KNOB

Material: reinforced polyamide, insert in nickel plated brass.

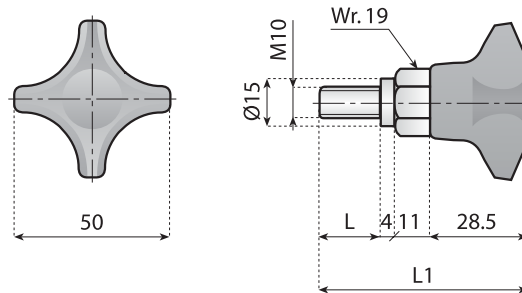
Note: max. torque on the knob 2 Kgm.

Code

13338



n°100



KNOB

Material: reinforced polyamide, hexagonal insert in nickel plated brass.

Note: max. torque on the knob 2,5 Kgm.

For further tightening work on the hexagon.

Code

13342

L

11.5

L1

54

13349

20

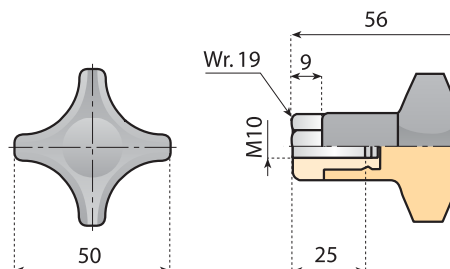
62.5

n°100

13348

25

67.5



KNOB

Material: reinforced polyamide, hexagonal insert in nickel plated brass.

Note: max. torque on the knob 2,5 Kgm.

For further tightening work on the hexagon.

Code

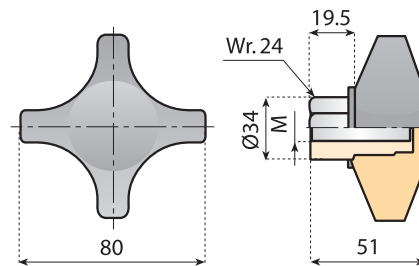
13344



n°100

Knobs

Preferred type, readily available (codes marked in red)



Nickel plated brass



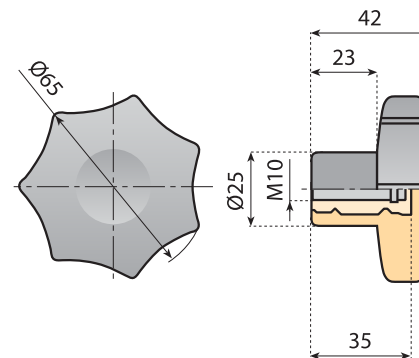
Reinforced polyamide

KNOB

Material: reinforced polyamide, hexagonal insert in nickel plated brass.

Note: max. torque on the knob 2,5 kgm.
For further tightening work on the hexagon.

Code	M	
13346	12	n°100
13347	16	



KNOB

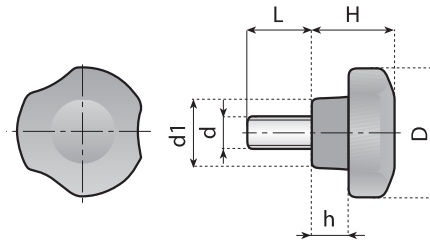
Material: reinforced polyamide, with nickel plated brass insert.


Note: max. torque on the knob 2,5 kgm.

Code	
13340	n°100

Knobs

 Preferred type, readily available (codes marked in red)



Code	D	d	L	H	h	d1	
13550		M4	10				
13551	20	M4	15	13	5	13	n°100
13552		M5	15				
13553		M5	20				
13554		M4	10				
13555		M4	15				
13556	25	M5	15	16	6	14	n°100
13557		M5	20				
13558		M6	20				
13559		M6	25				
13560		M6	15				
13561		M6	20				
13562	30	M8	20	19	7	17	n°100
13563		M8	25				
13564		M10	25				
13565		M10	30				
13566		M6	20				
13567		M6	25				
13568	40	M8	25	25	11	21	n°100
13569		M8	30				
13570		M10	30				
13571		M10	40				
13572		M8	25				
13573		M8	30				
13574	50	M10	30	30	13	24	n°100
13575		M10	40				
13576		M12	40				
13577		M12	50				

KNOB WITH THREADED PIN

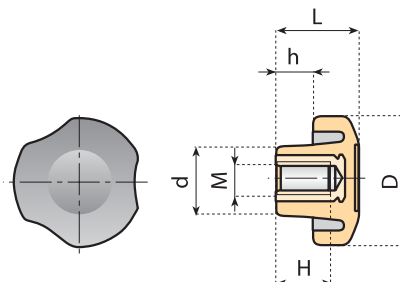
Material: reinforced polyamide with threaded insert in zinc plated steel.


Note: max. torque on the knob 2 Kgm.


Nickel plated brass


Reinforced polyamide


Zinc plated steel



Code	D	M	d	L	H	h	
13402	20	4	13	13	9	5	
13403	20	5	13	13	9	5	
13404	25	5	14	16	9	6	
13405	25	6	14	16	9	6	
13406	30	6	17	19	11	7	
13407	30	8	17	19	11	7	
13408	30	10	17	19	11	7	n°100
13401	40	8	21	25	16	11	
13409	40	10	21	25	16	11	
13410	50	10	24	30	18	13	
13411	50	12	24	30	18	13	
13412	60	12	28	38	25	17	
13413	60	14	28	38	25	17	

KNOB

Material: reinforced polyamide with nickel plated brass insert.

Note: max. torque on the knob 2 Kgm.

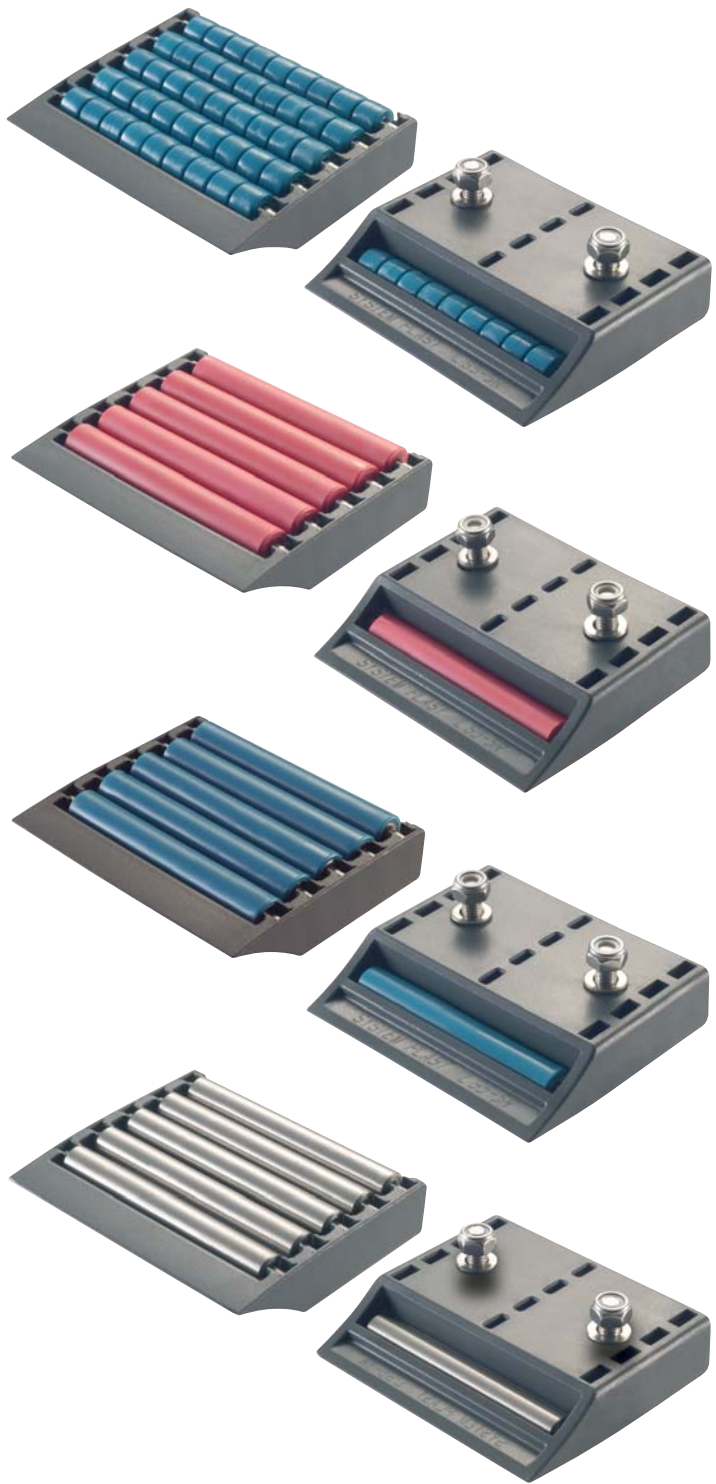
Modular transfer plates with rollers

- Create a smooth transfer between two conveyors
- Can be used individually or back-to-back
- Ultra low friction
- Low noise rollers



For heavy duty construction, and for bigger width please see page 328-330

- Clean design
- Easy, flexible mounting
- Modular set-up in width and length
- Available in 85 or 115 mm width



Type: **MR**
Plastic Multi Rollers



Type: **SR**
Single Plastic Roller in low noise version



Type: **SSA**
Plastic Roller with ball bearing



Type: **SS**
Stainless Steel Roller with ball bearing



The range

The transfer plates are available in four different versions in order to be compatible with many applications.

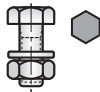
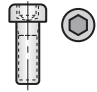

Material

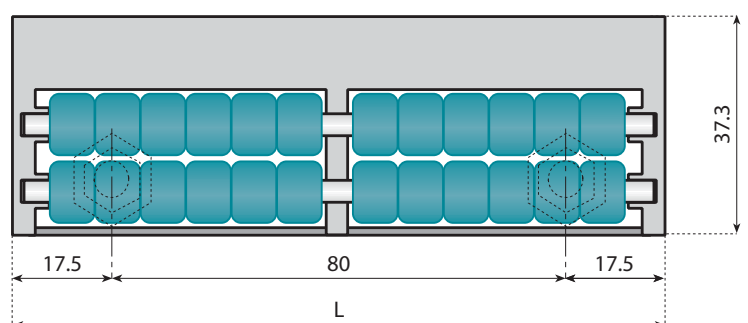
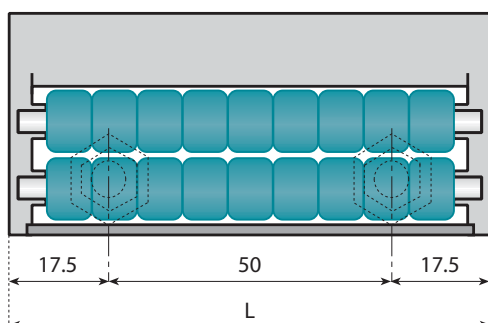
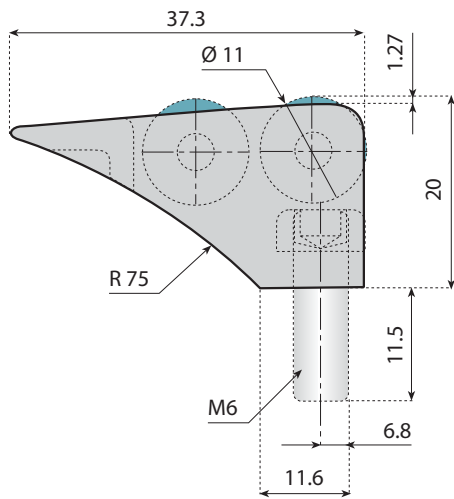
- Frame in acetal resin
- Rollers in low noise material or stainless steel.
- Pins, washers and bolts in stainless steel AISI 304.
- Supply: assembled.
- Packaging: 10 pieces.

Modular transfer plates with rollers

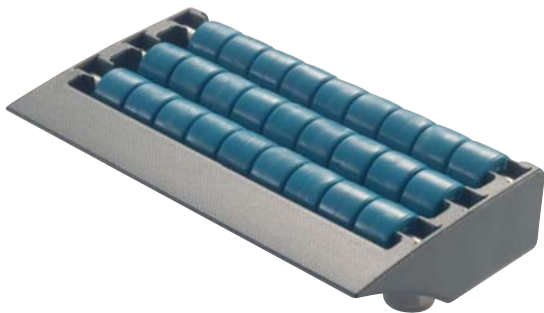


MODULE WITH TWO ROWS OF ROLLERS
Width L=85 or L=115

TYPE	L	Fastener M6		Nut M6	Without screws
					
MR	85	16777	16777S	16777D	16777W
SR		16777-SR	16777S-SR	16777D-SR	16777W-SR
SSA		16777-SSA	16777S-SSA	16777D-SSA	16777W-SSA
SS	115	16777-SS	16777S-SS	16777D-SS	16777W-SS
MR		16778	16778S	16778D	16778W
SR		16778-SR	16778S-SR	16778D-SR	16778W-SR
SSA		16778-SSA	16778S-SSA	16778D-SSA	16778W-SSA
SS		16778-SS	16778S-SS	16778D-SS	16778W-SS



Modular transfer plates with rollers



AISI 430
Stainless steel



P.B.T.

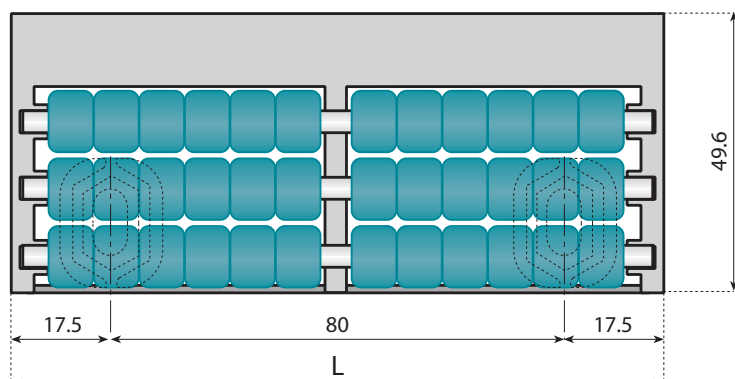
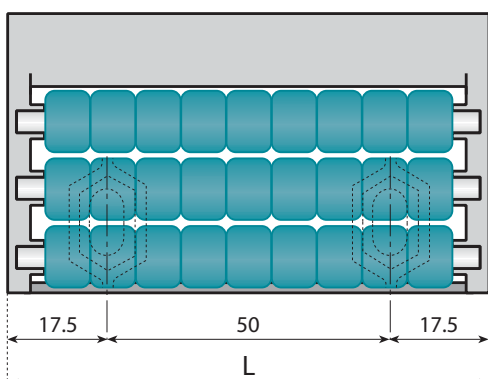
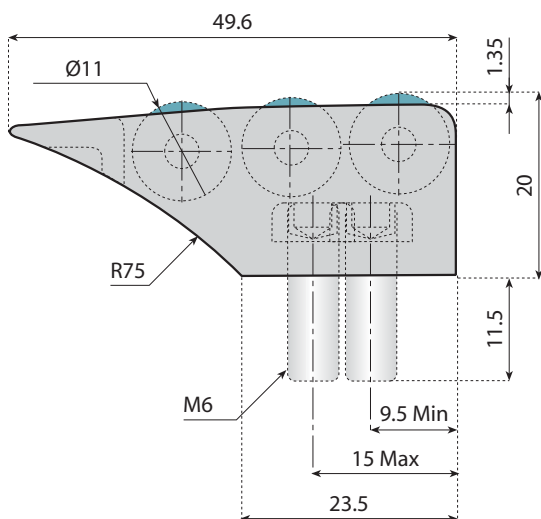


Acetal resin

MODULE WITH THREE ROWS OF ROLLERS
Width L=85 or L=115

PLATE FASTENING
The slotted holes allow a 5 mm movement of the bolts.

TYPE	L	Fastener M6		Nut M6	Without screws
MR	85	16770	16770S	16770D	16770W
SR		16770-SR	16770S-SR	16770D-SR	16770W-SR
SSA		16770-SSA	16770S-SSA	16770D-SSA	16770W-SSA
SS		16770-SS	16770S-SS	16770D-SS	16770W-SS
MR	115	16771	16771S	16771D	16771W
SR		16771-SR	16771S-SR	16771D-SR	16771W-SR
SSA		16771-SSA	16771S-SSA	16771D-SSA	16771W-SSA
SS		16771-SS	16771S-SS	16771D-SS	16771W-SS



Modular transfer plates with rollers



AISI 430
Stainless steel



P.B.T.



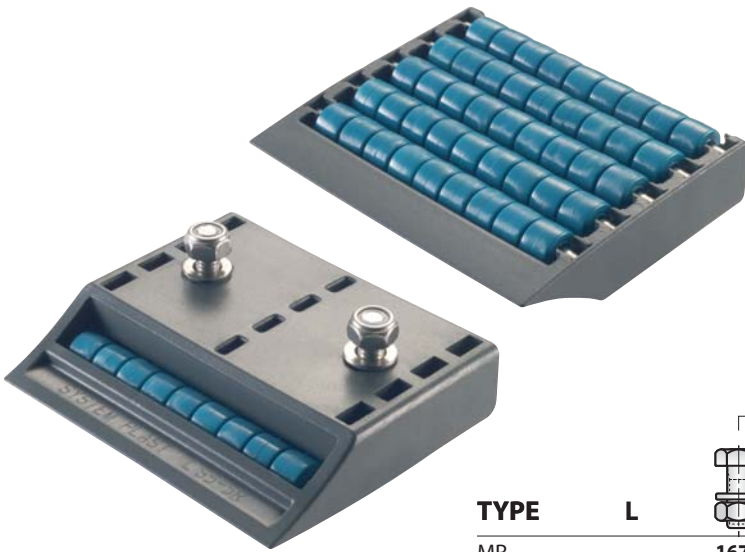
Acetal resin

MODULE WITH FIVE ROWS OF ROLLERS

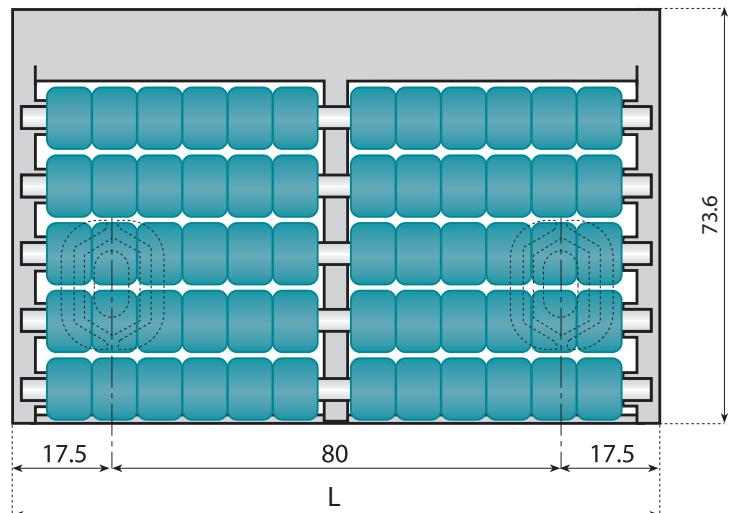
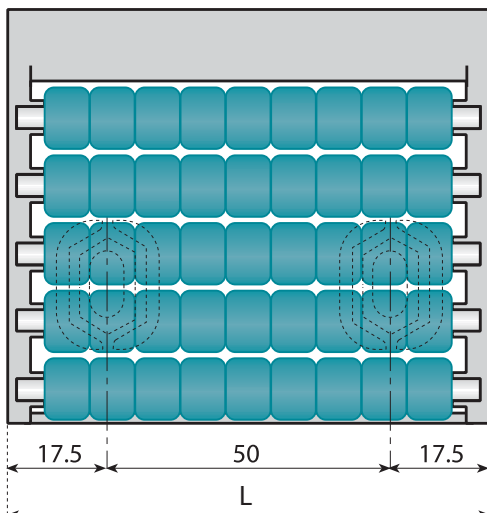
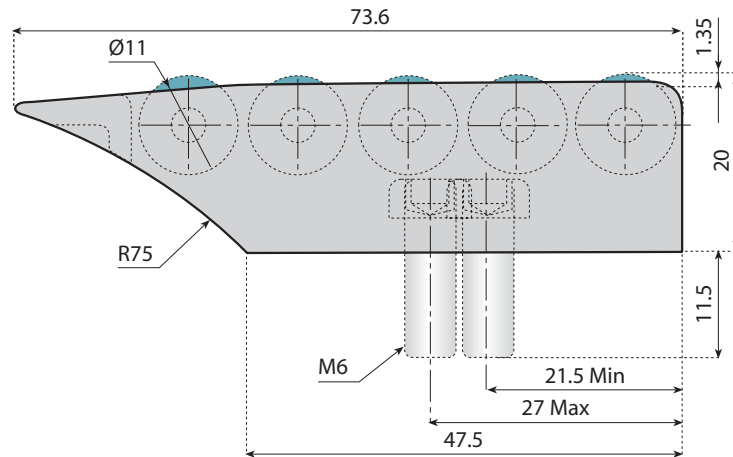
Width L=85 or L=115

PLATE FASTENING

The slotted holes allow a 5 mm movement of the bolts.

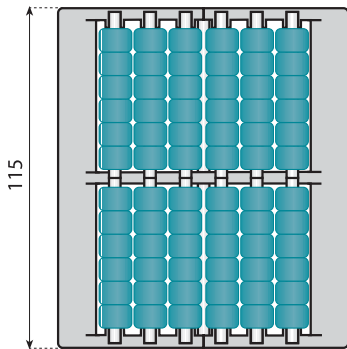
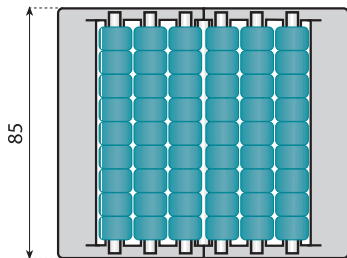
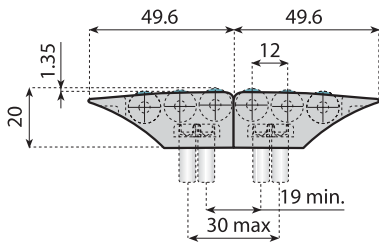


TYPE	L	Fastener M6		Nut M6	Without screws
MR	85	16772	16772S	16772D	16772W
SR		16772-SR	16772S-SR	16772D-SR	16772W-SR
SSA		16772-SSA	16772S-SSA	16772D-SSA	16772W-SSA
SS		16772-SS	16772S-SS	16772D-SS	16772W-SS
MR	115	16773	16773S	16773D	16773W
SR		16773-SR	16773S-SR	16773D-SR	16773W-SR
SSA		16773-SSA	16773S-SSA	16773D-SSA	16773W-SSA
SS		16773-SS	16773S-SS	16773D-SS	16773W-SS

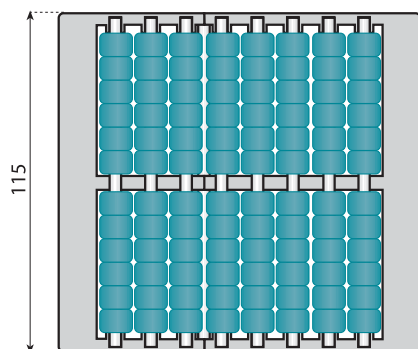
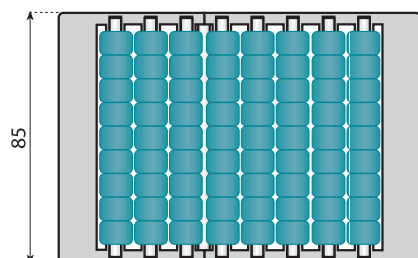
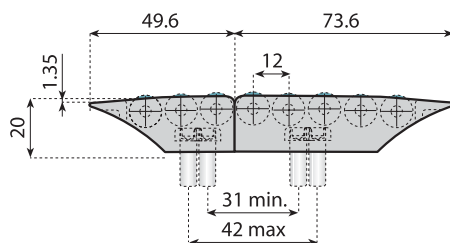


Examples of assembly

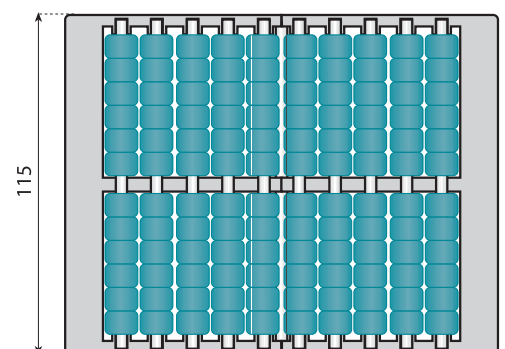
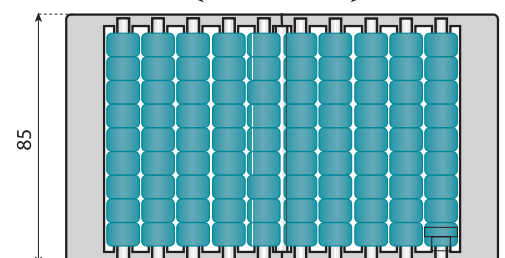
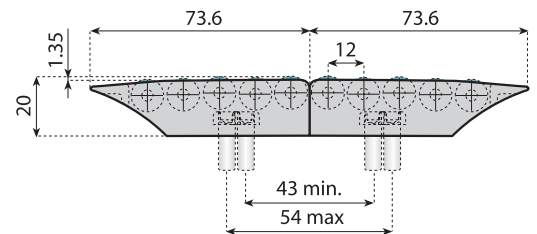
Assembly with two modules of three rows of rollers



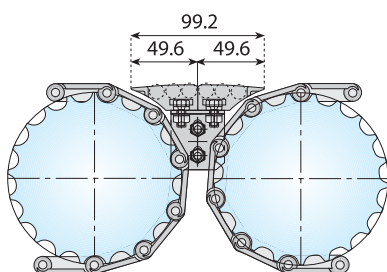
Assembly with two modules:
- One module with three rows of rollers
- One module with five rows of rollers



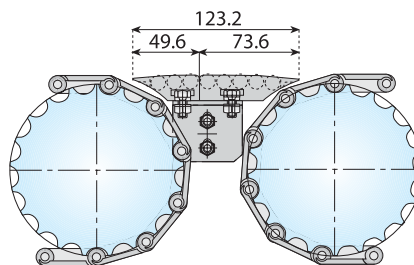
Assembly with two modules of five rows of rollers



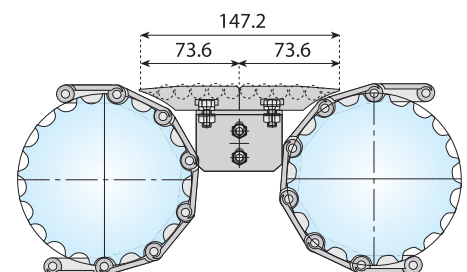
HEAD TO TAIL TRANSFER Examples of assembly



Head to tail transfer with two modules of three rows of rollers.
Assembly with stainless steel or plastic resin flat top chains.
Top plate thickness from 3 mm to 4.8 mm

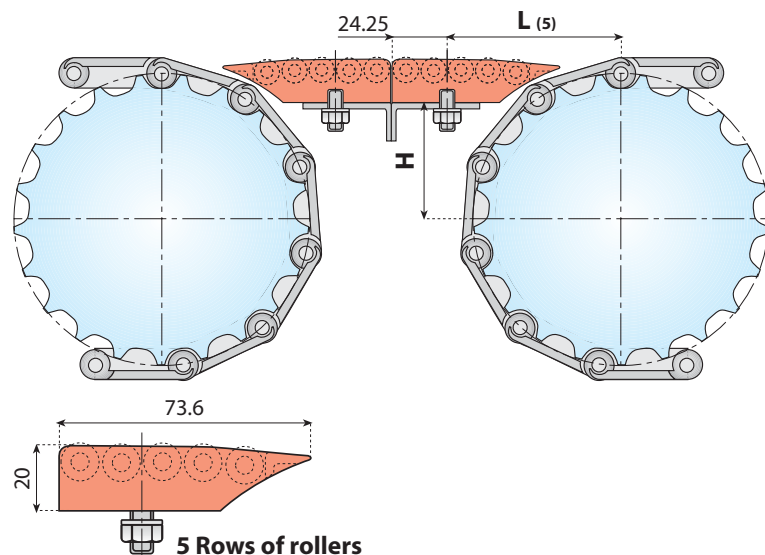
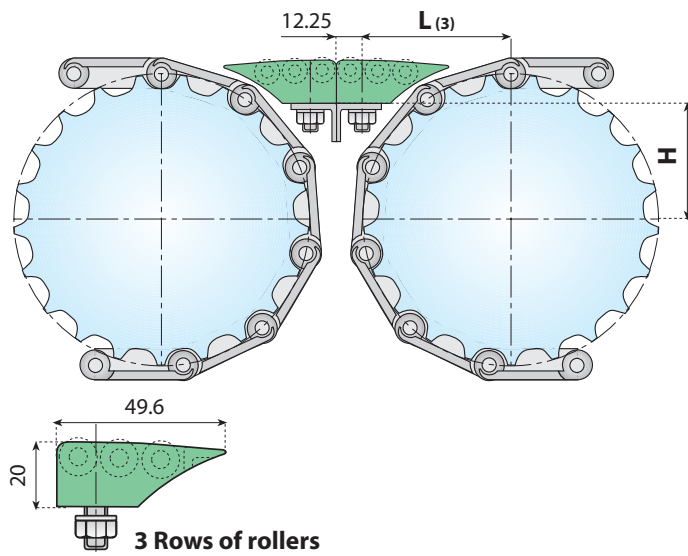
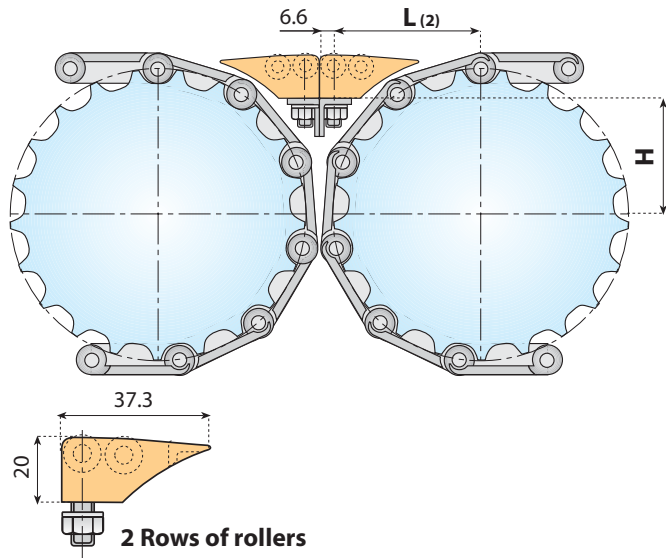


Head to tail transfer two with modules:
- One module of three rows of rollers
- One module of five rows of rollers
Assembly with stainless steel or plastic resin flat top chains.
Top plate thickness from 3 mm to 4.8 mm

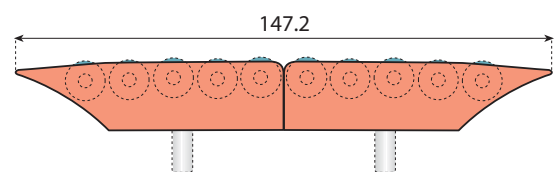
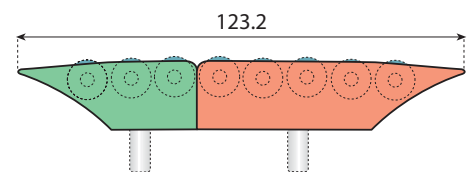
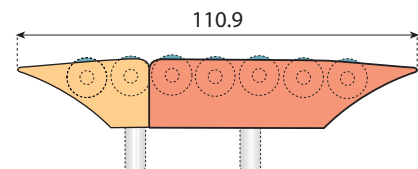
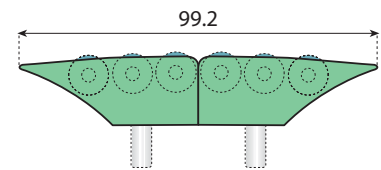
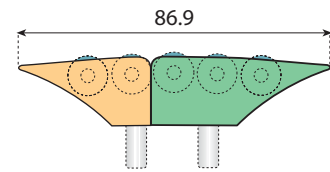
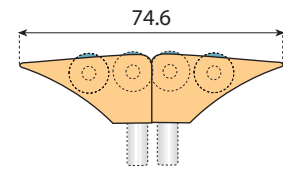


Head to tail transfer with two modules of five rows of rollers.
Assembly with stainless steel or plastic resin flat top chains.
Top plate thickness from 3 mm to 4.8 mm

Modular transfer rollers plates H and L dimensions



Combinations



Head to tail transfer with two modules

Modular transfer rollers plates

H and L dimensions

CHAIN TYPES	Sprockets Z=15				Sprockets Z=17				Sprockets Z=19				Sprockets Z=21				Sprockets Z=23				Sprockets Z=25				Sprockets Z=27				Sprockets Z=29											
	H	L(2)	L(3)	L(5)	H	L(2)	L(3)	L(5)	H	L(2)	L(3)	L(5)	H	L(2)	L(3)	L(5)	H	L(2)	L(3)	L(5)	H	L(2)	L(3)	L(5)	H	L(2)	L(3)	L(5)	H	L(2)	L(3)	L(5)	H	L(2)	L(3)	L(5)				
812-815-800-802-805-8157	34.4	56.9	61.6	74.6	40.3	58.3	62.8	75.8	46.3	61	64	77	52.2	63.8	65.1	78.1	58.2	66.4	66.2	79.2	64.2	68.9	67.2	80.2	70.2	71.3	68.2	81.2	76.2	73.6	69.2	82.2								
881-8810-881TAB-8810TAB-881M 881MO-8857M-8857TAB	34.4	56.9	61.6	74.6	40.3	58.3	62.8	75.8	46.3	61	64	77	52.2	63.8	65.1	78.1	58.2	66.4	66.2	79.2	64.2	68.9	67.2	80.2	70.2	71.3	68.2	81.2	76.2	73.6	69.2	82.2								
512-515	48.7	62.1	64.4	77.4	56.7	65.7	65.8	78.8	63.8	69.1	67.3	80.3	72.8	72.3	68.6	81.6																								
1874	40.8	65.1	70.3	83.3	46.8	65.4	71.8	84.8	52.9	68.3	73.3	86.3	59.8	71	74.6	87.6	65	73.7	76	89	71	76.2	77.3	90.3																
820-SK38	35	57.7	62.4	75.4	40.9	59.1	63.7	76.7	46.9	61.7	64.9	77.9	52.8	64.4	66	79	58.8	67.1	67.1	80.1	64.8	69.6	68.2	81.2	75.4	67.4	69.2	82.2	76.8	74.3	70.2	83.2								
831	35.8	57.7	62.4	75.4	41.7	59.1	63.7	76.7	47.7	61.7	64.9	77.9	53.6	64.4	66	79	59.6	67.1	67.1	80.1	65.6	69.6	68.2	81.2	76.2	67.4	69.2	82.2	77.6	74.3	70.2	83.2								
821	35.8	58.1	62.8	75.8	41.7	59.5	64.1	77.1	47.7	62.2	65.3	78.3	53.6	64.9	66.4	79.4	59.6	67.5	67.6	80.6	65.6	70	68.6	81.6	76.2	72.4	69.7	82.7	77.6	74.8	70.7	83.7								
843	20.6	57.4	62.9	75.9	24.7	58.7	64.1	77.1	28.7	59.9	65.2	78.2	32.7	61.1	66.3	79.3	36.8	62.2	67.3	80.3	40.5	63.3	68.3	81.3																
863	40.8	65.3	70.5	83.5	46.8	65.5	72	85	52.9	68.4	73.5	86.5	58.9	71.2	74.9	87.9	65	73.8	76.2	89.2	71	76.4	77.5	90.5																
1843	21.4	55.6	60.9	73.9	25.5	56.8	61.9	74.9	29.5	57.9	63	76	33.5	59	63.9	76.9	37.5	60	64.9	77.9	41.6	61	65.8	78.8																
1873	41.1	60.8	65.7	78.7	47.1	62.7	67	80	53.5	65.5	68.2	81.2	59.2	68.2	69.4	82.4	65.3	70.8	70.6	83.6	71.3	73.2	71.7	84.7	77.3	75.6	72.7	85.7												
815VG-805VG-8157VG (with rubber)	37.4	57.3	62.1	75.1	43.3	58.7	63.3	76.3	49.3	61.4	64.5	77.5	55.2	64.2	65.6	78.6	61.2	66.8	66.7	79.7	67.2	69.3	67.7	80.7	73.2	71.7	68.7	81.7	79.2	74	69.7	82.7								
831VG-821VG	38.8	57.4	62.1	75.1	44.7	58.8	63.4	76.4	50.7	61.5	64.6	77.6	56.6	64.2	65.7	78.7	62.6	66.8	66.9	79.9	68.6	69.3	67.9	80.9	79.2	71.7	69	82	80.6	74.1	70	83								
1873VG	44.9	59.1	63.5	76.5	50.9	62.7	64.7	77.7	57	65.4	65.8	78.8	63	67.9	66.3	79.3	69.1	70.4	67.8	80.8	75.1	72.8	68.8	81.8	81.1	75.1	69.8	82.8												
LBP 831	50.3	62.7	64.3	77.3	56.2	65.3	65.4	78.4	62.2	67.9	66.4	79.4	68.1	70.3	67.5	80.5	74.1	72.6	68.4	81.4	80.1	74.9	69.4	82.4																
LBP 821	50.3	63.1	64.7	77.7	56.2	65.7	65.8	78.8	62.2	68.3	66.8	79.8	68.1	70.7	67.9	80.9	74.1	73	68.8	81.8	80.1	75.3	69.8	82.8																

CHAIN TYPES	Sprockets Z=9				Sprockets Z=10				Sprockets Z=11				Sprockets Z=12				Sprockets Z=13				Sprockets Z=14				Sprockets Z=15											
	H	L(2)	L(3)	L(5)	H	L(2)	L(3)	L(5)	H	L(2)	L(3)	L(5)	H	L(2)	L(3)	L(5)	H	L(2)	L(3)	L(5)	H	L(2)	L(3)	L(5)	H	L(2)	L(3)	L(5)	H	L(2)	L(3)	L(5)				
8257VG	46.2	61	63.9	76.9	52.1	63.7	65.1	78.1	58.1	66.3	66.1	79.1	64.1	68.8	67.2	80.2																				
LBP 8257	60.7	67.4	66.6	79.6	66.6	69.9	67.6	80.6	72.6	72.2	68.6	81.6	78.6	74.5	69.5	82.5																				
878TAB-879-879TAB-879M 880-880TAB-880M	44.3	59.2	63.6	76.6	50.2	62.9	64.7	77.7	56.2	65.5	65.8	78.8	62.2	68.1	66.9	79.9					68.2	70.5	67.9	80.9	74.2	72.9	68.9	81.9	80.2	75.1	69.8	82.8				
882-882TAB-882M	46.2	61	63.9	76.9	52.1	63.7	65.1	78.1	58.1	66.3	66.1	79.1	64.1	68.8	67.2	80.2																				
878TAB VG- 879TAB VG- 879M VG	47.4	61	64	77	53.2	63.8	65.1	78.1	59.2	66.4	66.2	79.2	65.2	68.9	67.2	80.2	71.2	71.3	68.2	81.2	77.2	72.8	69.2	82.2												
882M VG- 882TAB VG	49.2	62.2	64.3	77.3	55.1	64.8	65.4	78.4	61.1	67.4	66.5	79.5	67.1	69.9	67.5	80.5																				
LBP 878TAB- LBP 879 M	59.6	61.7	66.1	79.1	65.5	65.4	67.2	80.2	71.5	68	68.3	81.3	77.5	70.6	69.4	82.4	83.5	73	70.4	83.4	89.5	75.4	71.4	84.4	95.5	77.6	72.3	85.3								
LBP 882TAB- LBP 882M	60.7	67.4	66.6	79.6	66.6	69.9	67.6	80.6	72.6	72.2	68.6	81.6	78.6	74.5	69.5	82.5																				

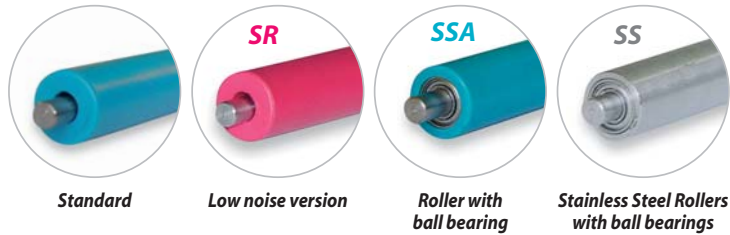
BELT TYPES	Sprockets Z=12				Sprockets Z=16				Sprockets Z=18				Sprockets Z=20				Sprockets Z=21				Sprockets Z=24				Sprockets Z=28											
	H	L(2)	L(3)	L(5)	H	L(2)	L(3)	L(5)	H	L(2)	L(3)	L(5)	H	L(2)	L(3)	L(5)	H	L(2)	L(3)	L(5)	H	L(2)	L(3)	L(5)	H	L(2)	L(3)	L(5)	H	L(2)	L(3)	L(5)				
series 2120 FT - 2121 FT					16.65	50.9	57.3	69.3					24.8	53.8	60.2	72.2					32.9	55.9	62.3	74.3	41.1	58.3	64.7	76.7								
series 2120 VG					18.65	51.1	57.5	69.5					26.8	54	60.4	72.4					34.9	56.1	62.5	74.5	43.1	58.5	64.9	76.9								
series 2120 LBP					29.65	51.4	57.8	69.8					37.8	54.3	60.7	72.7					45.9	56.4	62.8	74.8	54.1	58.8	65.2	77.2								
series 2250 FT - 2250 FG	32.5	57.2	63.6	75.6	48.55	60.3	66.7	78.7	56.55	63.6	70	82	64.7	64	70.4	82.4																				
series 2251 FT - 2252 FT					50.5	63.3	69.7	81.7	57.95	63.6	70	82	65.75	66.3	72.7	84.7	69.8	66.2	72.6	84.6																
series 2251 VG					53	63.7	70.1	82.1	60.45	64	70.4	82.4	68.25	66.7	73.1	85.1	72.3	66.6	73	85																
series 2251 LBP					65	64.05	70.45	82.45	72.35	64.35	70.75	82.75	80.2	67.05	73.45	85.45	84.3	66.95	73.35	85.35																

CHAIN-BELT TYPES	Sprockets Z=16				Sprockets Z=18				Sprockets Z=19			
	H	L(2)	L(3)	L(5)	H	L(2)	L(3)	L(5)	H	L(2)	L(3)	L(5)
series 2250M-FT - 2250M-FG	54.8	66.4	72.8	84.8	62.8	70	76.4	88.4	67.8	73.6	80	92
series 2251M-FT - 2251M-FG	58.8	68.1	74.5	86.5	66.8	71.4	77.8	89.8	71.8	74.2	80.6	92.6

DynaPlate Roller Transfer



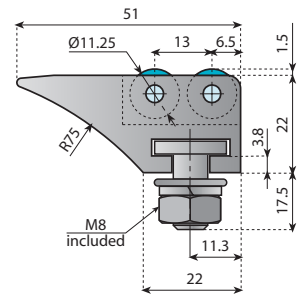
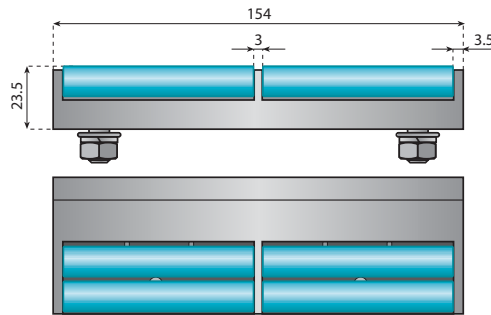
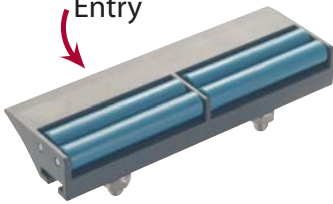
- ❑ Mix and match for best transfer lengths and widths
- ❑ Long life, durable, trouble-free up time
- ❑ Flexible T-bolt mounting - won't strip or turn during installation
- ❑ Acetal body low noise rollers, stainless steel pins.



Code
16S00020
16S00020-SR
16S00020-SSA
16S00020-SS

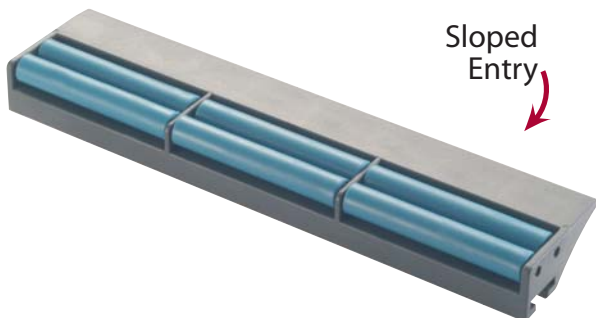
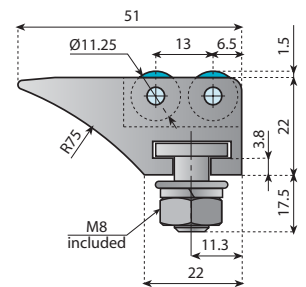
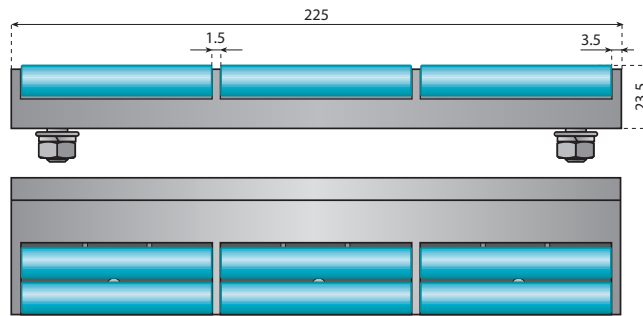
2 Roller Rows

Sloped Entry



Code
16S00023
16S00023-SR
16S00023-SSA
16S00023-SS

2 Roller Rows



Sloped Entry



Head to tail transfer using two roller transfer assemblies positioned back-to-back



90° transfer using single roller transfer assembly.

DynaPlate Roller Transfer



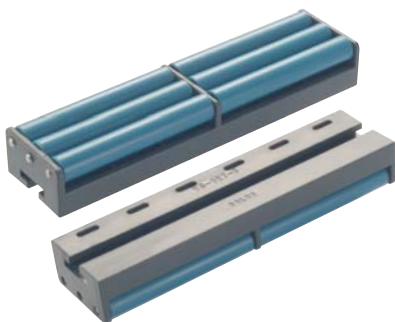
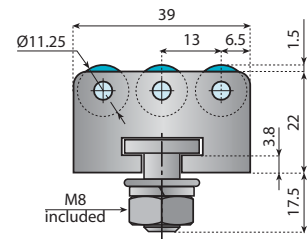
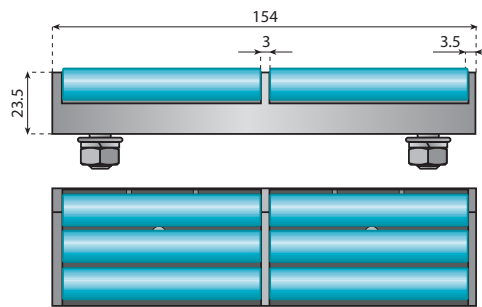
- Mix and match for best transfer lengths and widths
- Long life, durable, trouble-free up time
- Flexible T-bolt mounting - won't strip or turn during installation
- Acetal body low noise rollers, stainless steel pins.



Code

- 16S00021
- 16S00021-SR
- 16S00021-SSA
- 16S00021-SS

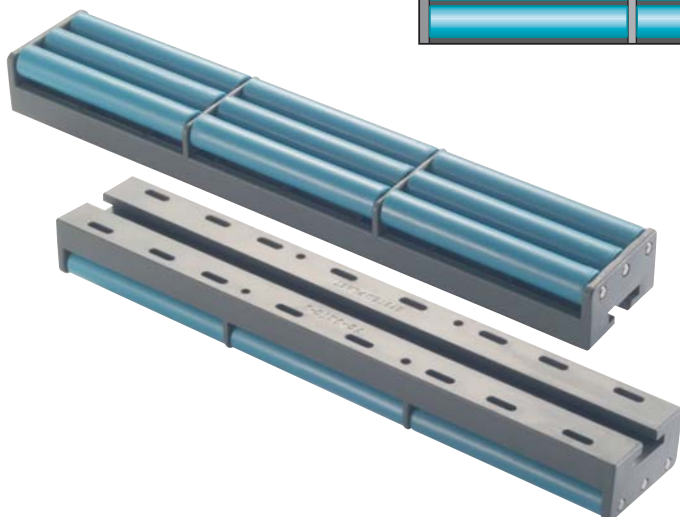
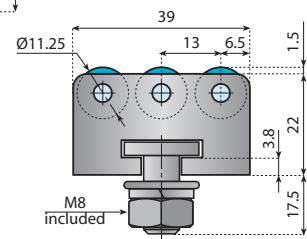
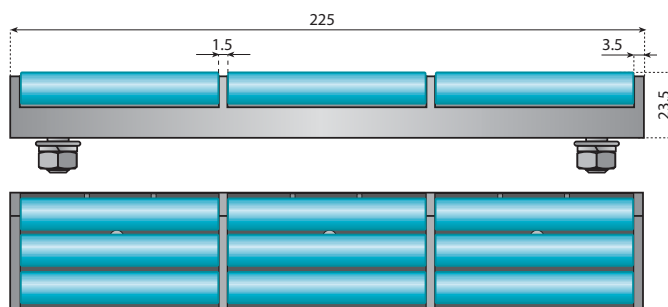
3 Roller Rows



Code

- 16S00024
- 16S00024-SR
- 16S00024-SSA
- 16S00024-SS

3 Roller Rows



DynaPlate Roller Transfer



- ❑ Mix and match for best transfer lengths and widths
- ❑ Long life, durable, trouble-free up time
- ❑ Flexible T-bolt mounting - won't strip or turn during installation
- ❑ Acetal body low noise rollers, stainless steel pins.



Standard

Low noise version

Roller with ball bearing

Stainless Steel Rollers with ball bearings

Code

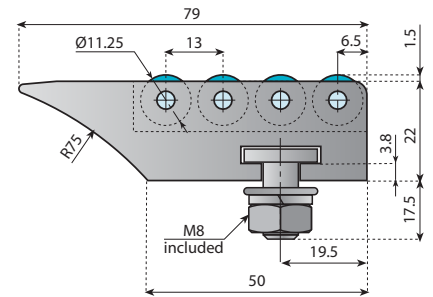
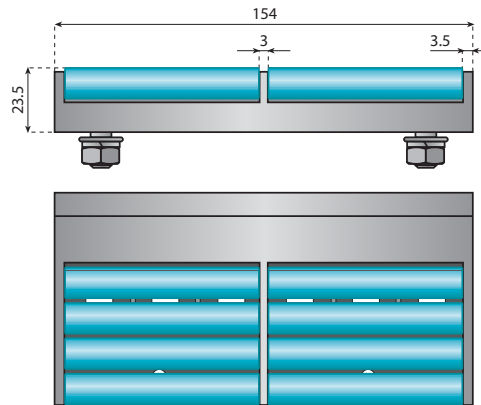
16S00022

16S00022-SR

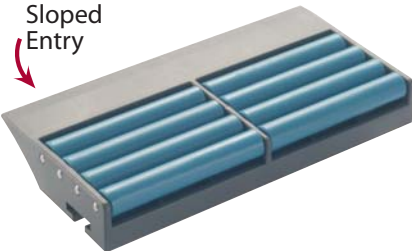
16S00022-SSA

16S00022-SS

4 Roller Rows



Sloped Entry



Code

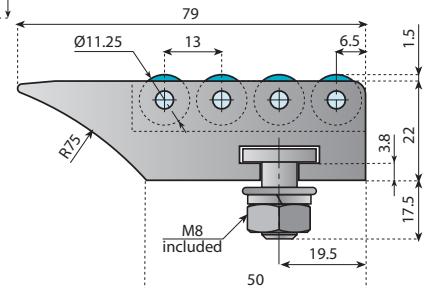
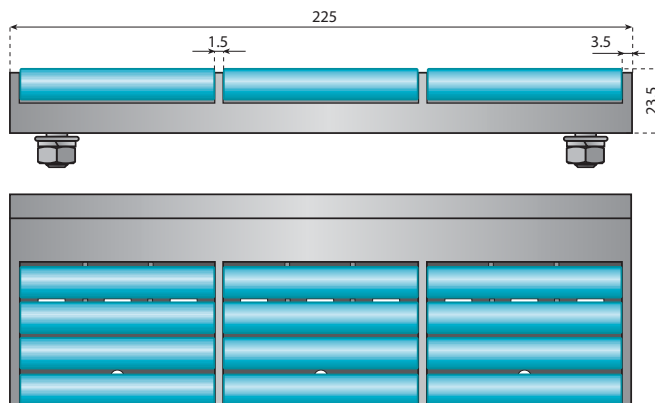
16S00025

16S00025-SR

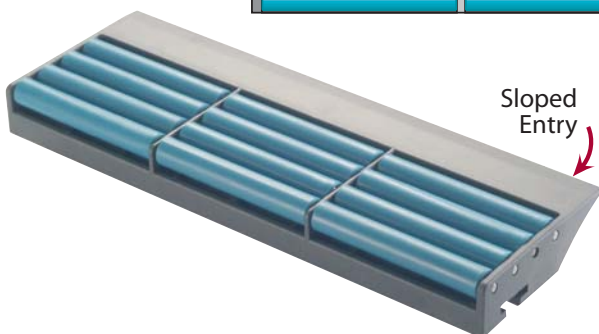
16S00025-SSA

16S00025-SS

4 Roller Rows



Sloped Entry



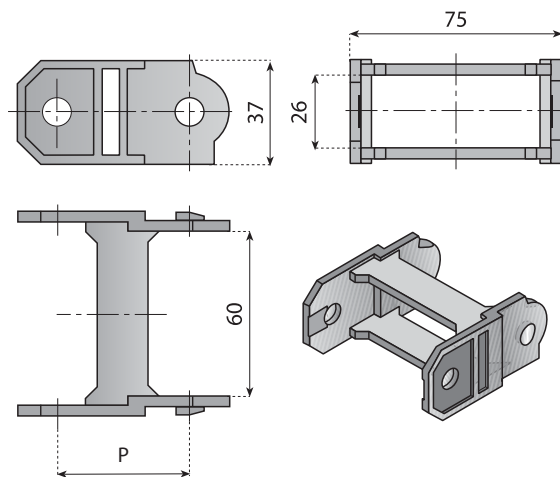
Cable carrier chain



Polyamide



Zinc plated steel



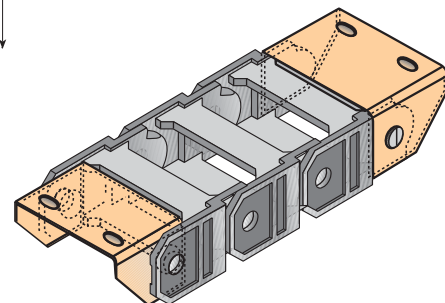
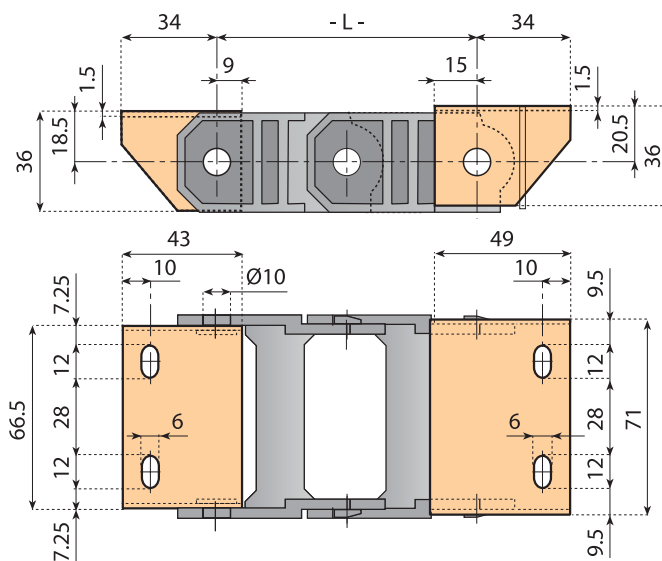
CABLE CARRIER CHAIN

Application: guide and protection of electric cables, even at high-speed.

Features: the links of the chain can be easily assembled and disassembled.

Note: 22 links: 1 mt.

Code	Pitch P.	R.	Kg/m	5 m	Material
14150		50			
14151		70			
14152	47	90	0.7	5 m	PA
14153		110			



CHAIN FASTENER

Application: fastening of cable carrier chains.

Code	5 kit	Material
14154	5 kit	ZN

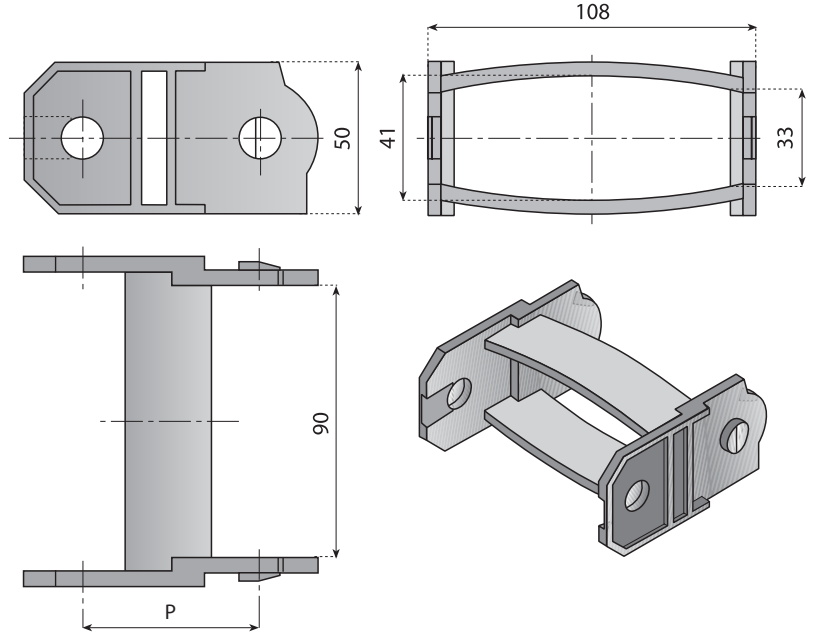
Cable carrier chain



Polyamide



Zinc plated steel



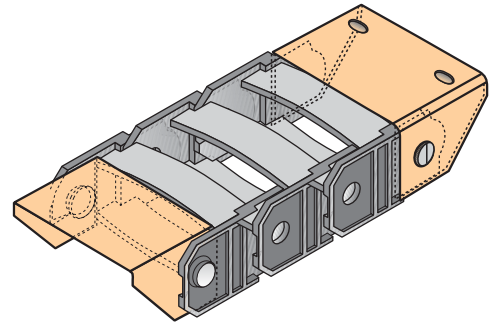
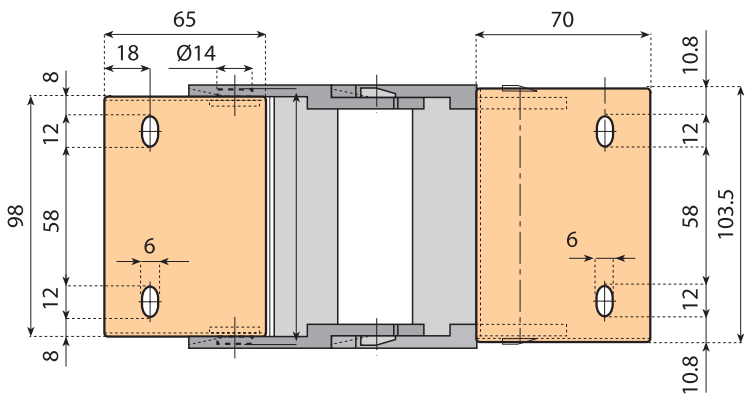
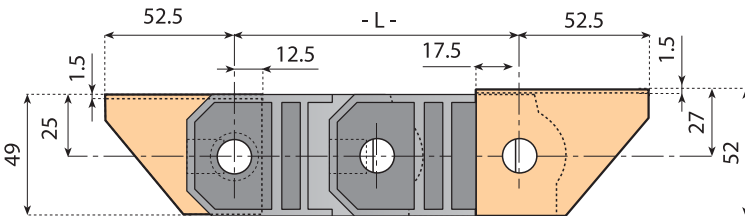
CABLE CARRIER CHAIN

Application: guide and protection of electric cables, even at high-speed.

Features: the links of the chain can be easily assembled and disassembled.

Note: 16 links: 1 mt.

Code	Pitch P.	R.	Kg/m	5 m	Material
14155		75			
14156	58	110	1.2	5 m	PA
14157		150			
14158		200			



CHAIN FASTENER

Application: fastening of cable carrier chains

Code	5 kit	Material
14159	5 kit	ZN

CALCULATION OF CHAIN LENGTH

$$L = \frac{LA}{2} + \pi R + 2 \cdot P$$

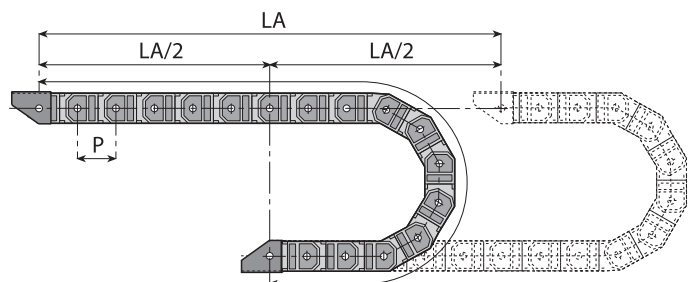
L = chain length

LA = chain travel

R = bending radius

P = chain pitch

It is advisable to fasten the chain in the middle of its travel





Frame support components

Side mounting top brackets

 Preferred type, readily available (codes marked in red)

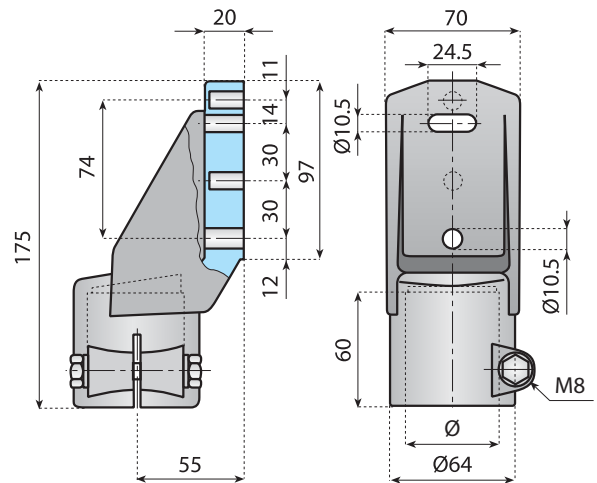




SS 304
AISI 304
Stainless steel



PA FG
Reinforced
polyamide



SIDE MOUNTING TOP BRACKET

Material: reinforced polyamide. Screw, nut and washers in stainless steel AISI 304

Note: the bracket can be inclined by 5° in both directions when using the lower hole and the upper slot hole.

There are two optional holes that can easily be opened by removing the thin membrane. In this way the centre distance of the holes can be:


- Enlarged to 70 mm or
- Reduced to 30 mm

Then it is also possible to use an incline of 10° in both directions


Code	For tube Ø
14748	48.3
14744	50.9

 Preferred type, readily available (codes marked in red)

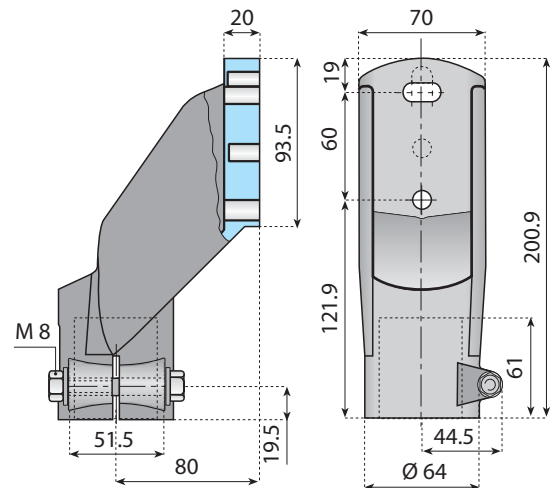




**RANGE
EXTENSION**



**IMPROVED
DESIGN**



SIDE MOUNTING TOP BRACKET

Material: reinforced polyamide. Screw, nut and washers in stainless steel AISI 304


Note: the bracket can be inclined by 5° in both directions when using the lower hole and the upper slot hole.

There are two optional holes that can easily be opened by removing the thin membrane.

In this way the centre distance of the holes can be:

- Enlarged to 70 mm or
- Reduced to 30 mm

Then it is also possible to use an incline of 10° in both directions

Code	For tube □	For tube Ø	
14748N	-	48.3	
14744N	-	50.9	
14856	38x38	-	n°25
14857	40x40	-	



HEAVY DUTY SIDE MOUNTING TOP BRACKET

Material: reinforced polyamide. Screw, nut and washers in stainless steel AISI 304

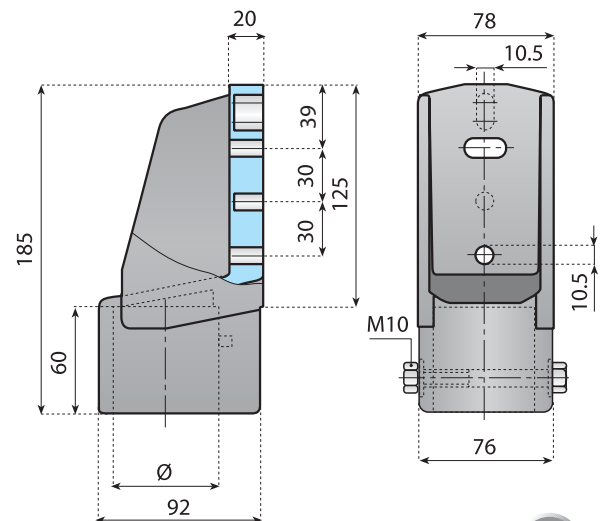
Note: the bracket can be inclined by 6° in both directions when using the lower hole and the upper slot hole.

There are two optional holes that can easily be opened by removing the thin membrane.

In this way the centre distance of the holes can be:

- Enlarged to 85,5 mm or
- Reduced to 30 mm

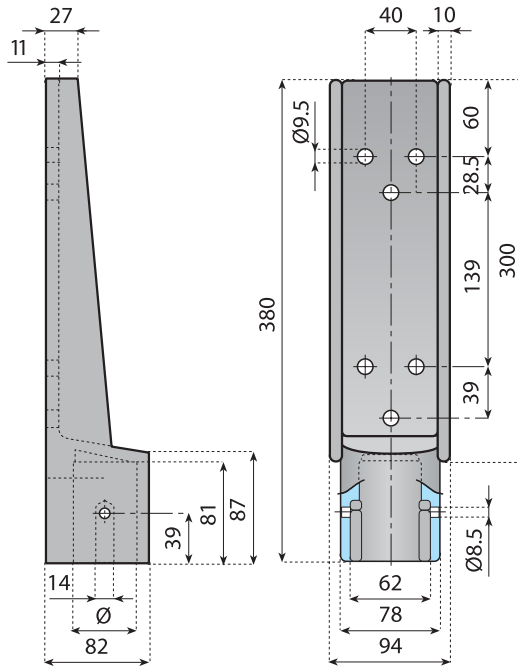
Then it is also possible to use an incline of 12° in both directions



Code	For tube Ø	
14745	60.3	n°25

Side mounting bracket

Preferred type, readily available (codes marked in red)



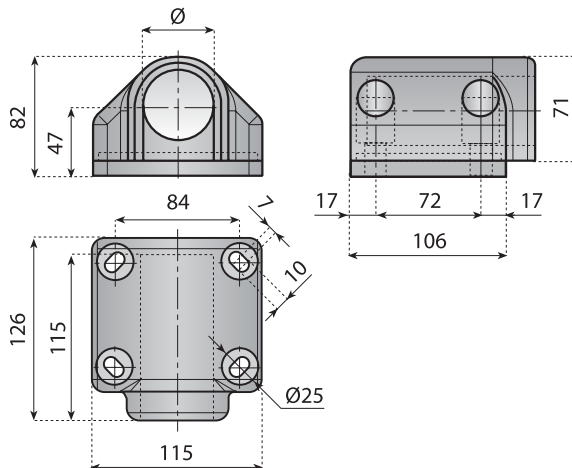
SS 304
AISI 304
Stainless steel

PA FG
Reinforced
polyamide

SIDE MOUNTING TOP BRACKET

Material: reinforced polyamide screw nut and washers in stainless steel AISI 304.

Code	DF For tube Ø	
14100	48.3	n°25
14101	50.9	

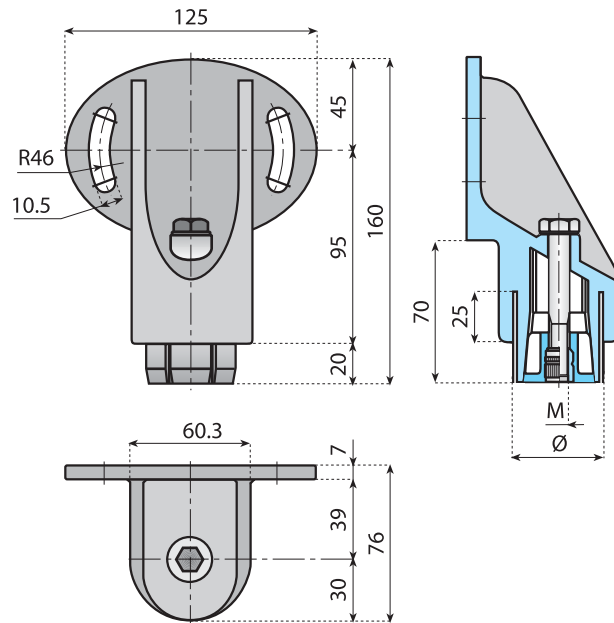


SIDE MOUNTING TOP BRACKET

Code	DF For tube Ø	
14053	48.3	n°25

Side mounting top brackets

 Preferred type, readily available (codes marked in red)



AISI 304
Stainless steel



Nickel plated brass



Reinforced
polyamide




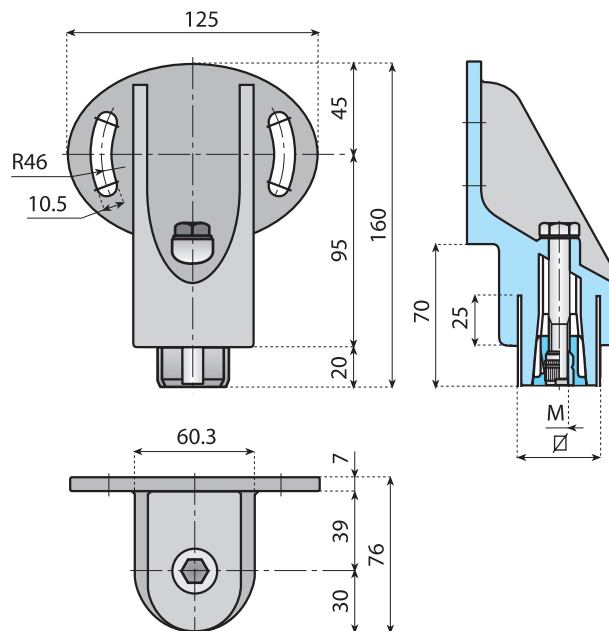
SIDE MOUNTING TOP BRACKET
with expansion plug for round
tubes Ø 48.3x1.5 mm

Components: external part in reinforced polyamide.
Conical insert in reinforced polyamide.
Threaded bushing in nickel plated brass.
Bolt and washer in stainless steel.

Note: max recommended tightening torque 2.5 Kgm.

Application: the bracket can be inclined by 30°.

Code	M	For tube Ø	
14071	8	48.3	n°25
14070	10	48.3	
14068	8	50.9	
14069	10	50.9	




SIDE MOUNTING TOP BRACKET
with expansion plug for square
tubes 40x40x2 mm

Components: external part in reinforced polyamide.
Conical insert in reinforced polyamide.
Threaded bushing in nickel plated brass.
Bolt and washer in stainless steel.

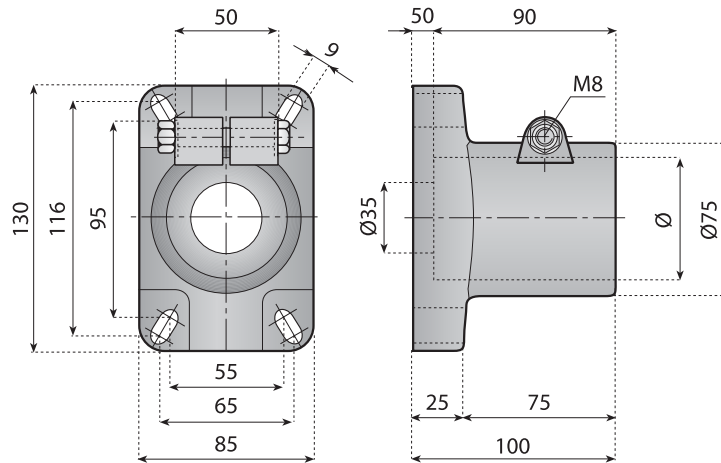
Note: max recommended tightening torque 2.5 Kgm.

Application: the bracket can be inclined by 30°.

Code	M	For tube \square	
14073	8	40x40	n°25
14072	10	40x40	

Support heads

Preferred type, readily available (codes marked in red)



AISI 304
Stainless steel

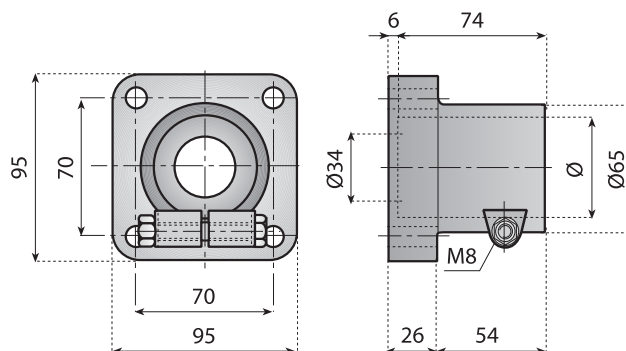


Reinforced
polyamide

SUPPORT HEAD

Material: reinforced polyamide;
screw, nut and washers in stainless steel AISI 304.
Note: max. recommended tightening torque 2 Kgm.

Code	For tube Ø	
14742	42.4	n°25
14741	48.3	
14740	50.9	
14739	60.3	



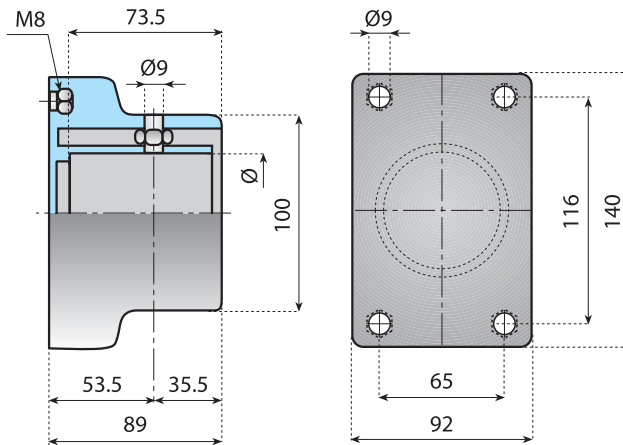
SUPPORT HEAD

Material: reinforced polyamide;
screw, nut and washer in S/S AISI 304.
Note: max recommended tightening torque 2 Kgm.

Code	Ref.	For tube Ø	For tube ∇	
14050		48.3	-	n°25
14051		50.9	-	
14S00092	VG-307SQ-T40-M	-	40x40	

Support heads

 Preferred type, readily available (codes marked in red)



AISI 304
Stainless steel



Nickel plated brass



Reinforced
polyamide

EXTRA SUPPORT HEAD

Material: polyamide, stainless steel bolts.

Note: max. recommended tightening torque 1.5 Kgm.

Code

For tube Ø

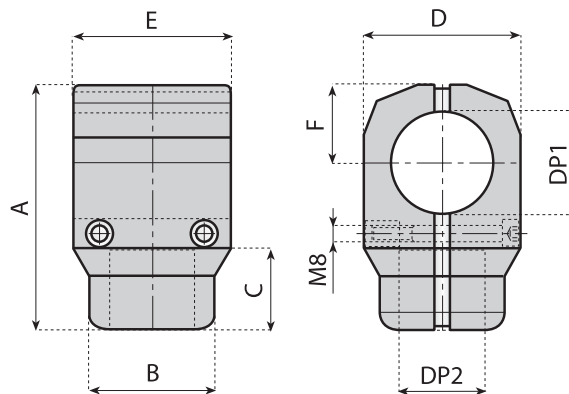


14052

60.3

n°25

Black

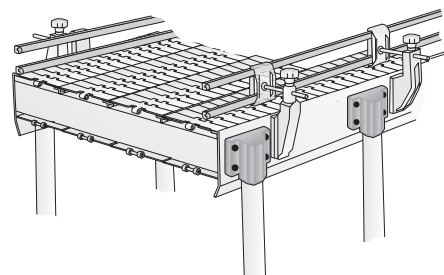
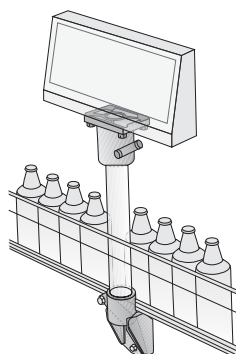
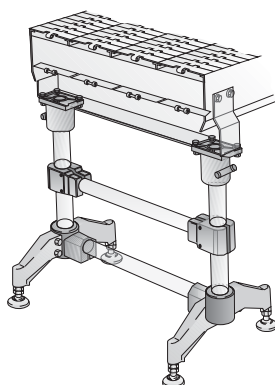


CONNECTING JOINT

Material: reinforced polyamide, screws in stainless steel AISI 304, bushings in nickel plated brass.

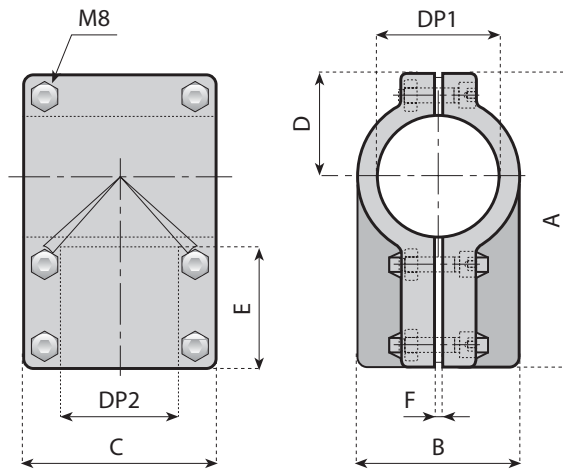
Note: max. recommended tightening torque 1.5 Kgm.

Code	For tubes Ø		A	B	C	D	E	F	n°25
	DP1	DP2							
14747	48.3	32	116	57	40	70	74	36	
14733	48.3	42.4	122	62	40	78	78	39	
14732	50.9	42.4	122	62	40	78	78	39	
14746	60.3	42.4	130	65	41	82	82	42.5	



Connecting joints

Preferred type, readily available (codes marked in red)



AISI 304
Stainless steel



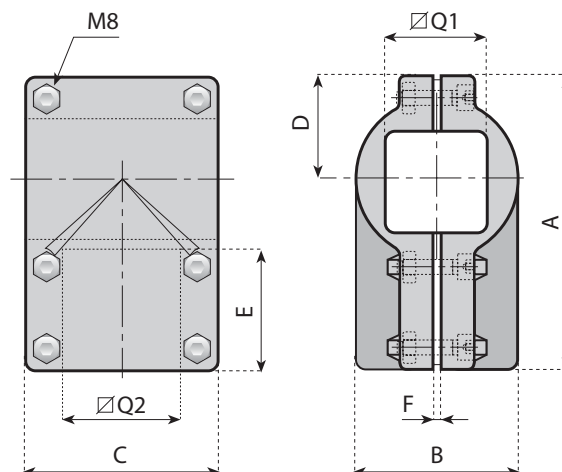
Reinforced
polyamide

CONNECTING JOINT

Material: reinforced polyamide, screws and nuts in stainless steel AISI 304.

Note: max. recommended tightening torque 1.5 Kgm.

Code	For round tubes Ø								
	DP1	DP2	A	B	C	D	E	F	
14729	42.4	42.4	134	68	86	45	60	3	n°25
14734	48.3	42.4	134	68	86	45	60	3	n°25
14726		48.3							
14725		42.4							
14724	50.9	48.3	146	80	98	51	60	3	n°25
14743		50.9							
14737		42.4							
14723	60.3	48.3	146	80	98	51	60	3	n°25
14722		50.9							
14738		60.3							



EXTRA RIGID CONNECTING JOINT

Material: reinforced polyamide, screws and nuts in stainless steel AISI 304.

Note: max. recommended tightening torque 1.5 Kgm.

Code	For square tubes								
	ØQ1	ØQ2	A	B	C	D	E	F	
14719	40	40	134	68	86	45			n°25
14720	45	45	146	80	98	51	60	3	n°25
14721	50	50	146	80	98	51			

Connecting joints

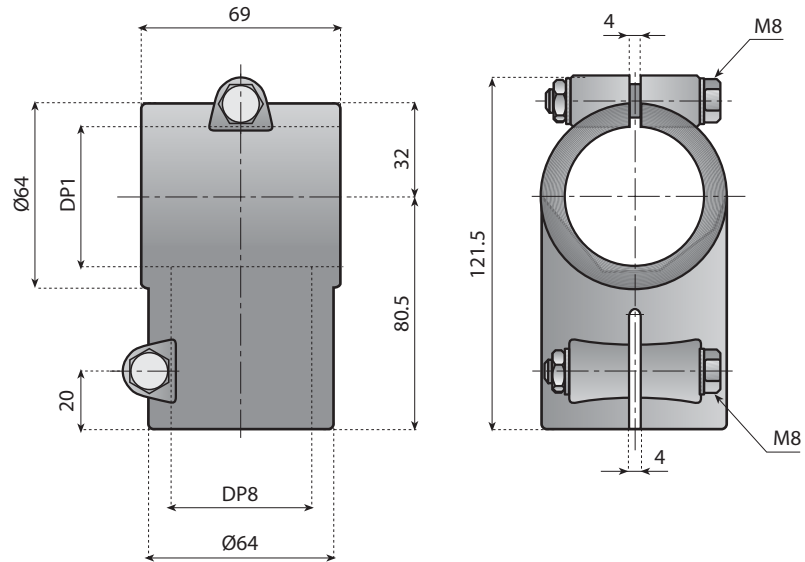
 Preferred type, readily available (codes marked in red)



AISI 304
Stainless steel




Reinforced
polyamide

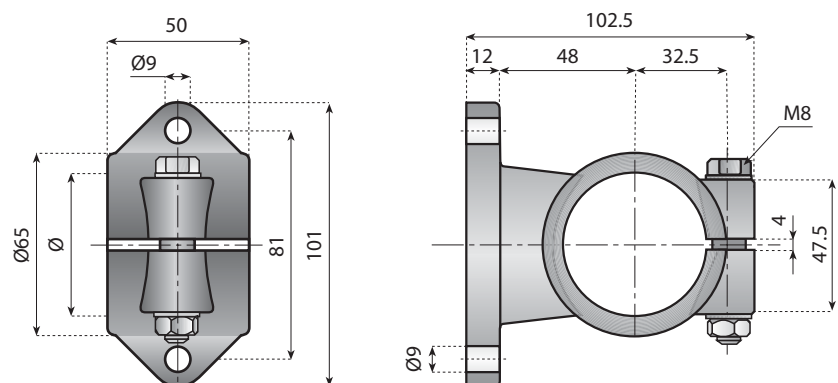


CONNECTING JOINT

Material: reinforced polyamide, screws and nuts in stainless steel AISI 304.

Note: max. recommended tightening torque 1.5 Kgm.


Code	For tube Ø	
14040	48.3	n°25
14041	50.9	



CONNECTING JOINT

Material: reinforced polyamide, screws and nuts in stainless steel AISI 304.

Note: max. recommended tightening torque 1.5 Kgm.

Code	For tube Ø	
14042	48.3	n°25
14043	50.9	

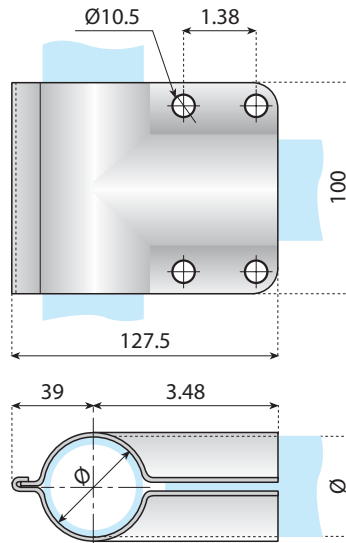
Connecting joints

Preferred type, readily available (codes marked in red)



CONNECTING JOINT

Thickness: $S = 2$ mm.
Surface: tumbling finish.
Use: with tubes $\varnothing 48.3$ mm.
Note: the connecting joint is supplied without screws.



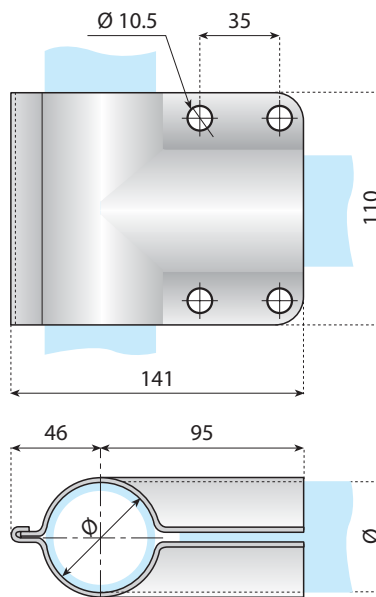
Code	For tube \varnothing	n°25	Material
13827	48.3	n°25	SS AISI 304

SS 304
 AISI 304
 Stainless steel



CONNECTING JOINT

Thickness: $S = 2$ mm.
Surface: tumbling finish.
Use: with tubes $\varnothing 60.3$ mm.
Note: the connecting joints supplied without screws.

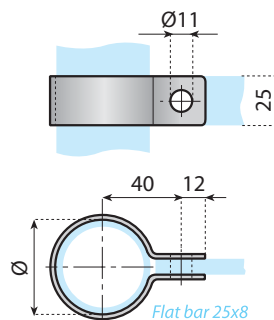


Code	For tube \varnothing	n°25	Material
13828	60.3	n°25	SS AISI 304



CONNECTING JOINT

Thickness: $S = 2.5$ mm.
Surface: tumbling finish.
Use: with tubes $\varnothing 48.3$ mm and flat bar 25x8 mm.
Note: the connecting joints is supplied without screws.



Code	Flat bar	For tube \varnothing	n°50	Material
13981	25 x 8	48.3	n°50	SS AISI 304

Connecting joints



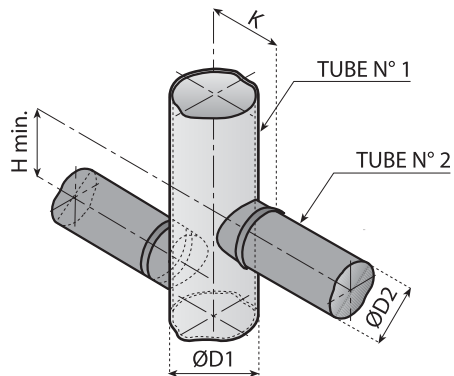
AISI 304
Stainless steel



Nickel plated brass



Reinforced polyamide



CONNECTING JOINT

Components and material:

- Conical bushing in nickel plated brass.
- Expansion plug in reinforced polyamide.
- Adaptor plug in reinforced polyamide.
- Screw M8x50 in stainless steel.
- Closing cap in polyamide.

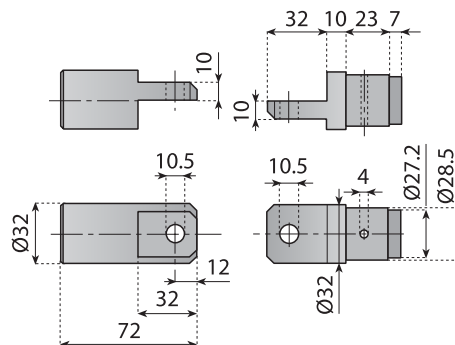
Use: these joints connect different tubes at different angles.

Special design provides a simple method of joining tubes for maximum cleanliness.

Note: tube deformation occurs with a tightening torque of 2.5 Kgm thus preventing accidental unscrewing of the plug due to structure vibrations.

Code	Tube N°1			Tube N°2			K	H
	Ext. Ø D1	Wall S1	mm	Ext. Ø D2	Wall S2	mm		
14815	38	-	•	38	-	1.5	32	43
14816	42.4	1/4	•	38	-	1.5	34.2	43
14817	42.4	1/4	•	42.4	1/4	1.5	34.2	47
14818	48.3	1/2	•	38	-	1.5	37.2	43
14819	48.3	1/2	•	42.4	1/4	1.5	37.2	47
14821	60.3	2	•	42.4	1/4	1.5	43.2	47

• application with any thickness.



KNUCKLE JOINT FOR TUBE Ø 32 mm

Material: reinforced polyamide;
screws and nut is stainless steel AISI 304

Application: with connecting joint code 14747 and tube Ø 32 mm, 1,5 wall.

Supply: assembled.

Code

14736



n°50

Expansion plugs for round tubes

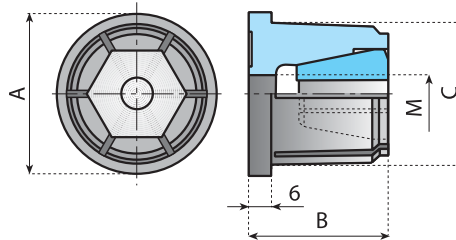
Preferred type, readily available (codes marked in red)



Nickel plated brass



Reinforced polyamide



EXPANSION PLUG

Components and material:

External part in reinforced polyamide.

Conical insert available in two materials:

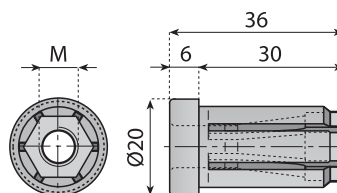
- version in nickel plated brass;
- version in polyamide with nut;

Notes: bolt and washer are not included.

Technical information:

- Version with nickel plated brass insert: max. load for removal Kgf 420 (static conditions).
- Version with polyamide insert: max. load for removal Kgf 350 (static conditions).

Code		Dimensions mm				Tube dimensions			Wall	n°50
Version with brass bush	Version with polyamide bush	M	A	B	C	Ext. Ø	Int. Ø			
14001	14003	10	38	41	34.8	38	35	1.5	n°50	
14002	14004	8	38	41	34.8	38	35			
14749	14005	10	44.5	41	39.2	42.4	39.4			
14753	14006	8	44.5	41	39.2	42.4	39.4			
-	14018	10	48.5	50	44.7	48.3	45.3			
-	14017	8	48.5	50	44.7	48.3	45.3			



EXPANSION PLUG for round tubes

Components:

External part in reinforced polyamide.

Conical insert in nickel plated brass.

Technical information:

Max. load for removal Kgf 300 (static conditions).

Code	Colour	M	For round tube	n°50
14352	Black	8	20 x 1.5	n°50
14353	Black	10	20 x 1.5	



Expansions plug for square tubes

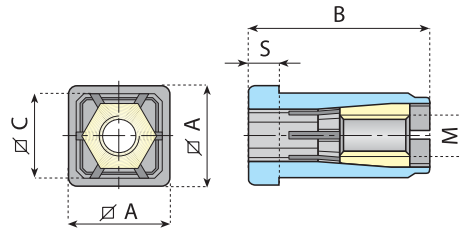
 Preferred type, readily available (codes marked in red)



Nickel plated brass



Reinforced polyamide



EXPANSION PLUG for square tubes

 40x40

 20x20

Components and material:

External part in reinforced polyamide.

Conical insert in nickel plated brass with polyamide.

Technical information:


tube 40x40

max. load for removal Kg 400 (static conditions).

Tube 20x20

max. load for removal Kg 300 (static conditions).

Supply: assembled.

Code	S	M	Dimensions mm			Tube dimension			
			A	B	C	Ext.	Int.	Wall	
14019	6	8	20x20	36	17	20x20	17	1.5	n°50
14020	6	10	20x20	36	17	20x20	17	1.5	
14021	6	8	20x20	36	16	20x20	16	2	
14022	6	10	20x20	36	16	20x20	16	2	
14015	10	8	40x40	57	35.5	40x40	36	2	
14016	10	10	40x40	57	35.5	40x40	36	2	

Threaded tube ends for round tubes

Preferred type, readily available (codes marked in red)



Nickel plated brass Polyamide



NEW RANGE EXTENSION

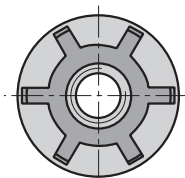
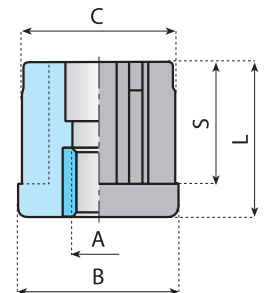
THREADED TUBE ENDS FOR ROUND TUBES

Material: polyamide, threaded bushing in nickel plated brass.

Round tubes		Max static load						
Ø mm	N	30	38	40	42	48	50	60
		3000	5000	5500	6000	6000	6500	8000

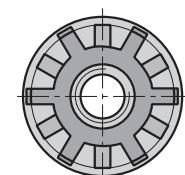
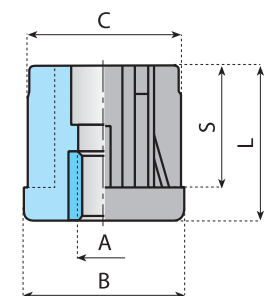
FOR FURTHER INFORMATION ABOUT THIS LINE PLEASE CONSULT THE PRESSO-LINE CATALOGUE.

Code	Type	A	B mm	C mm	L mm	S mm	Ext. Ø mm	Int. Ø mm	Thickness mm	
14799		M10								
14800	1	M12	30	28.4	35	29	30	28	1	n°50
14801		M14								
14773		M10								
14752	1	M12	38	35.5	46.5	38	38	35	1.5	n°50
14774		M14								
14764		M16								
<i>New</i> 14859	1	M10	40	36.4	43	34.5	40	36	2	n°50
14860		M12								
14775		M10								
14763		M12								
14776	1	M14	42	39.9	45.5	38	42.4	39.4	1.5	n°50
14750		M16								
14765		M20								
14766		M12								
14777	1	M14	48	45.8	55	45	48.3	45.3	1.5	n°50
14767		M16								
14751		M20								
14754		M12								
14778	1	M14	50	48.4	49	38	50.9	47.9	1.5	n°50
14755		M16								
14768		M20								
14835	2	M14	54	50.5	55	45	54	50	2	n°50
14836		M16								
14837		M20								
14791	2	M16	60	58	50	38	60.3	57.3	1.5	n°50
14792		M20								
14793	2	M16	60	57	50	38	60.3	56.3	2	n°50
14794		M20								
14802		M16								
14803	2	M20	60	56	50	38	60.3	55.3	2.5	n°50
14804		M24								



TYPE 1

TYPE 2



STATED LOAD VALUES ARE MEANT FOR STATIC CONDITIONS. SUCH VALUES HAVE TO BE ADEQUATELY REDUCED IN PRESENCE OF HIGH FREQUENCY VIBRATIONS OR DYNAMIC LOADS. FOR FURTHER INFORMATION CONTACT OUR TECHNICAL OFFICE.

Threaded tube ends for square tubes



Polyamide Nickel plated brass

Preferred type, readily available (codes marked in red)



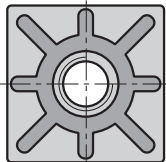
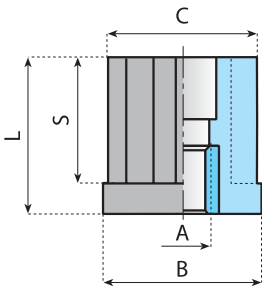
THREADED TUBE ENDS FOR SQUARE TUBES

Material: polyamide, threaded bushing in nickel plated brass.

Square tubes
Max static load

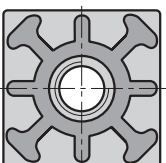
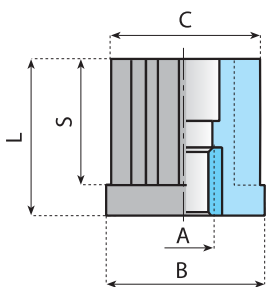
Ø mm	25	30	35	38	40	50	60
N	5000	5500	5500	6000	6000	10000	12000

FOR FURTHER INFORMATION
ABOUT THIS LINE PLEASE
CONSULT THE PRESSO-LINE
CATALOGUE.



TYPE 1

TYPE 2



Code	Type	A	B mm	C mm	L mm	S mm	Ext. Ø mm	Int. Ø mm	Thickness mm	
14824		M8								
14822	2	M10	25	22.5	30	25	25	22	1.5	n°50
14823		M12								
14779		M10								
14780	2	M12	30	27.5	33	27	30	27	1.5	n°50
14781		M14								
14782		M16								
14810		M10								
14811	2	M12	30	26.5	33	27	30	26	2	n°50
14812		M14								
14813		M16								
14805		M10								
14806	1	M12	35	32.5	43	35	35	32	1.5	n°50
14807		M14								
14808		M16								
14809		M20								
14825		M10								
14826		M12								
14827	1	M14	35	31.5	43	35	35	31	2	n°50
14828		M16								
14829		M20								
14783		M10								
14756		M12								
14784	2	M14	38	35.4	43	35	38.1	34.9	1.6	n°50
14757		M16								
14785		M20								
14786		M10								
14758		M12								
14759	2	M14	38	32.6	43	35	38.1	32.1	3	n°50
14787		M16								
14788		M20								
14790		M10								
14769		M12								
14770	2	M14	40	37.5	55	45	40	37	1.5	n°50
14771		M16								
14772		M20								
14600		M10								
14601		M12								
14602	2	M14	40	36.5	55	45	40	36	2	n°50
14603		M16								
14604		M20								
14605		M12								
14606	2	M14	50	47.5	55	44	50	47	1.5	n°50
14607		M16								
14608		M20								
14609		M12								
14610	2	M14	50	46.5	55	44	50	46	2	n°50
14611		M16								
14612		M20								
14795		M12								
14796	2	M14	50	45.5	55	44	50	45	2.5	n°50
14797		M16								
14798		M20								
14830		M14								
14831	2	M16	60	56.5	55	45	60	46	2	n°50
14832		M20								

Support bases

Preferred type, readily available (codes marked in red)



AISI 304
Stainless steel



Nickel plated brass



Reinforced polyamide



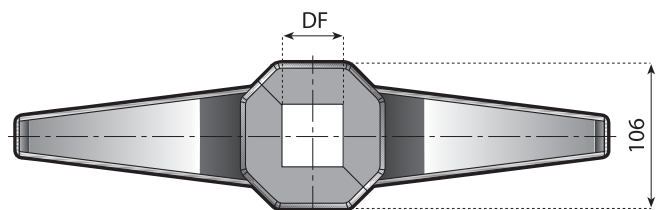
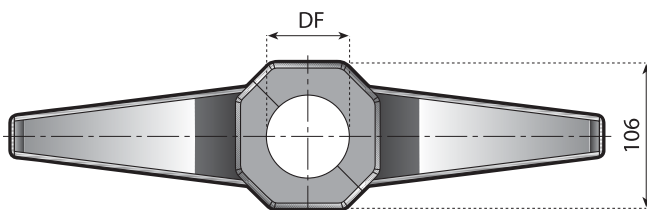
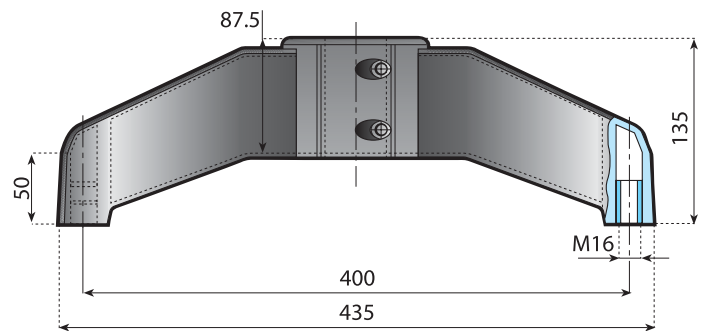
- Reinforced design
- Completely closed structure easier to clean and to disinfect

COMPLETELY CLOSED VERSION

This split version permits a better clamping of both round and square tubes.
Each bipod is supplied complete with ultrasonic welded protection coverings, which prevent dirt, dust or liquid infiltration in the lower part of the base.

SPLIT BIPODS

Material: reinforced polyamide threaded bushings in nickel plated brass fasteners in stainless steel AISI 304.

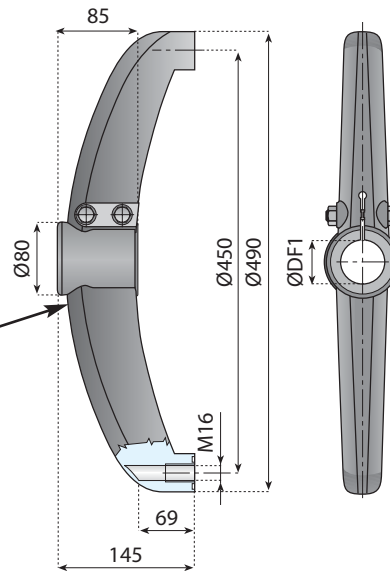
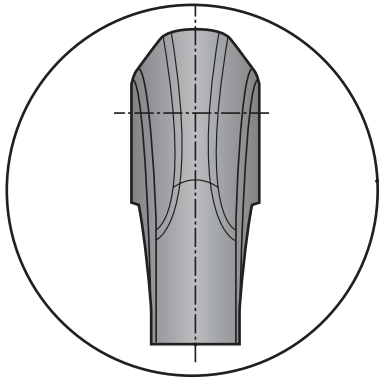


Code	DF - for tube Ø		n°15
	mm	inch.	
15502	48.3	1.1/2	n°15
15501	60.3	1.1/4	

Code	DF - for square tube ∅		n°15
	mm	inch.	
15499	45x45	-	n°15
15500	50x50	2.38x2.38	

Support bases

 Preferred type, readily available (codes marked in red)



AISI 304
Stainless steel



Nickel plated brass



Reinforced
polyamide




Zinc plated steel

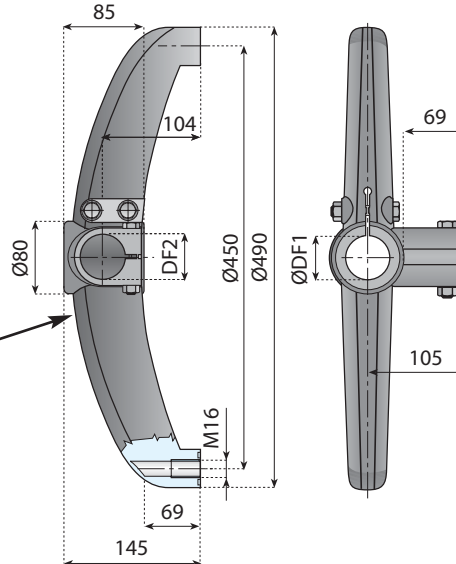
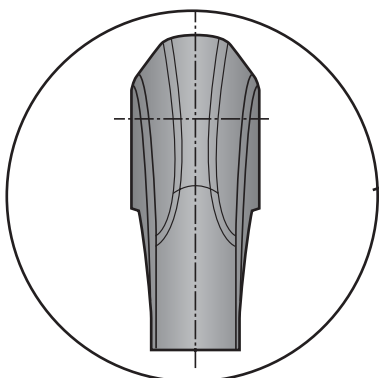
Features:
Increased stability
Self cleaning design



BIPODS

Material: reinforced polyamide threaded bushings and spacers in nickel plated brass.
Fasteners: see table on the right.

Code	DF1 - for tube Ø		Fasteners	
	mm	inch.		
15055	38.1	-	Zinc plated steel	n°15
15057	42.4	1.1/4		
15059	48.3	1.1/2		
15061	50.9	-		
15063	60.3	2		
15056	38.1	-	Stainless steel AISI 304	n°15
15058	42.4	1.1/4		
15060	48.3	1.1/2		
15062	50.9	-		
15064	60.3	2		




Features:
Increased stability
Self cleaning design



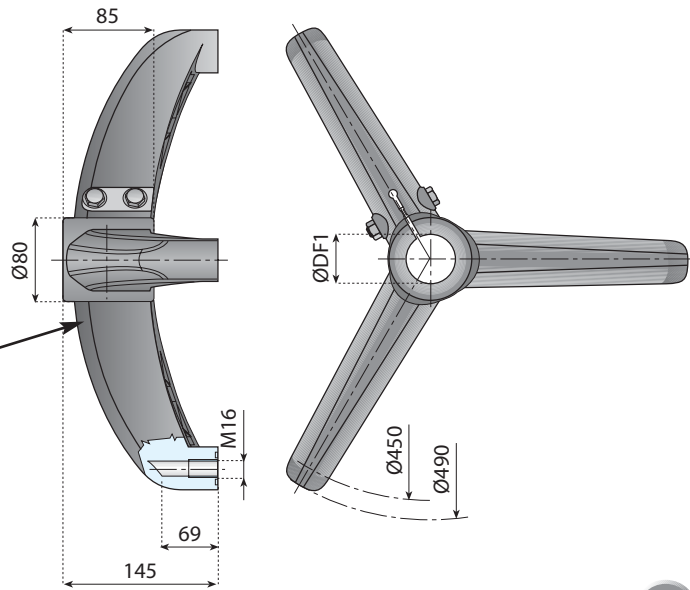
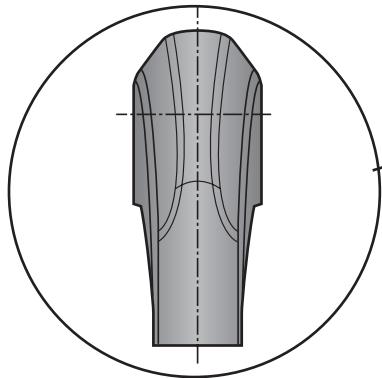
BIPODS 180° WITH JOINT

Material: reinforced polyamide threaded bushings and spacers in nickel plated brass.
Fasteners: see table on the right.

Code	DF1 - for tube Ø		DF2 - for tube Ø		Fasteners	
	mm	inch.	mm	inch.		
15065	42.4	1.1/4	42.4	1.1/4	Zinc plated steel	n°15
15067	48.3	1.1/2				
15069	50.9	-				
15071	60.3	2				
15066	42.4	1.1/4				
15068	48.3	1.1/2	42.4	1.1/4	Stainless steel AISI 304	n°15
15070	50.9	-				
15072	60.3	2				
15073	48.3	1.1/2				
15075	50.9	-				
15077	60.3	2	48.3	1.1/2	Zinc plated steel	n°15
15074	48.3	1.1/2				
15076	50.9	-				
15078	60.3	2				
15079	48.3	1.1/2				
15080	50.9	-				
15081	60.3	2				

Support bases

Preferred type, readily available (codes marked in red)



SS 304

AISI 304
Stainless steel

NPB

Nickel plated brass

PA FG

Reinforced polyamide

ZP

Zinc plated steel



Features:
Increased stability
Self cleaning design

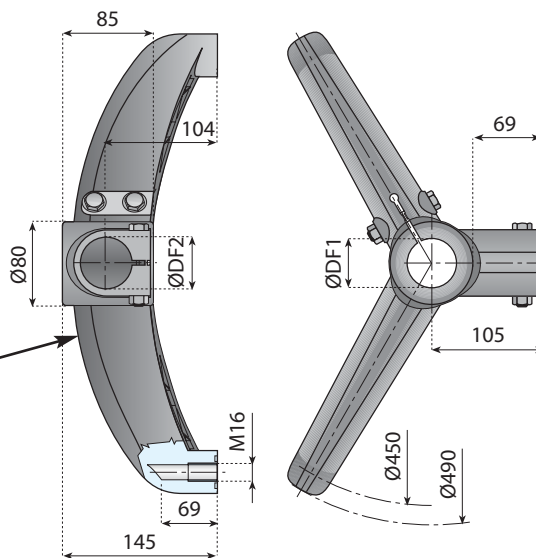
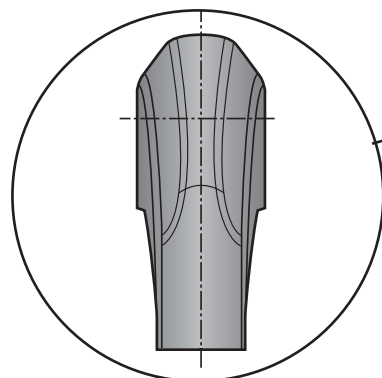
IMPROVED DESIGN

TRIPODS

Material: reinforced polyamide threaded bushings and spacers in nickel plated brass.

Fasteners: see table on the right.

Code	DF1 - for tube Ø		Fasteners	n°15
	mm	inch.		
15079	38.1	-	Zinc plated steel	n°15
15081	42.4	1.1/4		
15083	48.3	1.1/2		
15085	50.9	-		
15087	60.3	2		
15080	38.1	-	Stainless steel AISI 304	n°15
15082	42.4	1.1/4		
15084	48.3	1.1/2		
15086	50.9	-		
15088	60.3	2		



Features:
Increased stability
Self cleaning design

IMPROVED DESIGN

BIPODS 120° WITH JOINT

Material: reinforced polyamide threaded bushings and spacers in nickel plated brass.

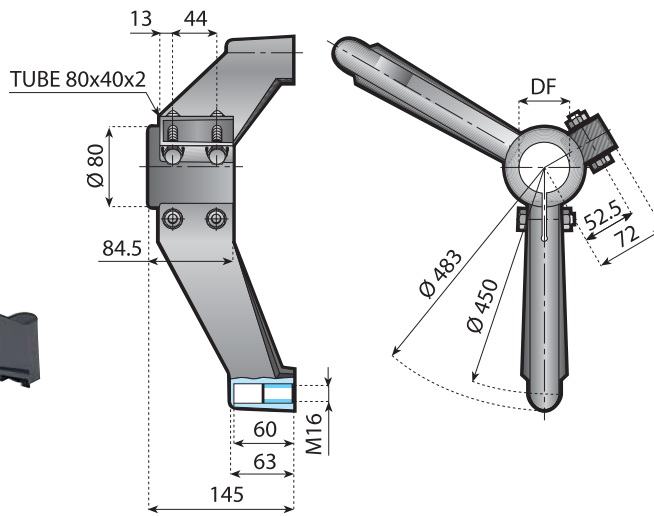
Fasteners: see table on the right.

Code	DF1 - for tube Ø		DF2 - for tube Ø		Fasteners	n°15
	mm	inch.	mm	inch.		
15089	42.4	1.1/4	42.4	1.1/4	Zinc plated steel	n°15
15091	48.3	1.1/2				
15093	50.9	-				
15095	60.3	2				
15090	42.4	1.1/4				
15092	48.3	1.1/2	42.4	1.1/4	Stainless steel AISI 304	n°15
15094	50.9	-				
15096	60.3	2				
15097	48.3	1.1/2	48.3	1.1/2	Zinc plated steel	n°15
15099	50.9	-				
15101	60.3	2				
15098	48.3	1.1/2				
15100	50.9	-				
15102	60.3	2	48.3	1.1/2	Stainless steel AISI 304	n°15



Support bases

 Preferred type, readily available (codes marked in red)



AISI 304
Stainless steel



Nickel plated brass



Reinforced polyamide




Zinc plated steel

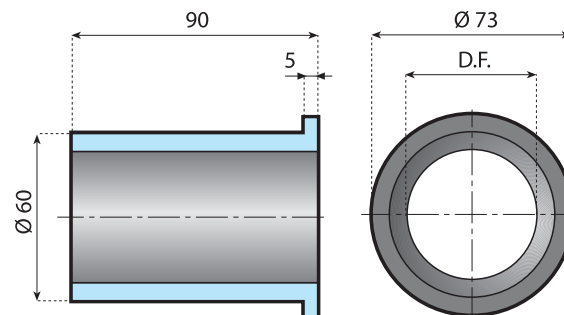
- Cross ribs
- Improved load resistance
- Increased thickness
- Improved flex resistance


BIPODS

Material: reinforced polyamide threaded bushings and spacers in nickel plated brass.

Fasteners: see table on the right.

Code	DF - for tube Ø		Fasteners	
	mm	inch.		
15704	42.4	1.1/4	Zinc plated steel	n°15
15508	48.3	1.1/2		
15817	50.9	-		
15512	60.3	2	Stainless steel AISI 304	n°15
15705	42.4	1.1/4		
15509	48.3	1.1/2		
15825	50.9	-		
15513	60.3	2		



Code	DF - for tube Ø			Material
	mm	inch.		
15204	50.9	-	n°25	PA
15205	48.3	1.1/2		
15206	42.4	1.1/4		
15207	50	-		

REDUCTION BUSH

Articulated feet

Preferred type, readily available (codes marked in red)



AISI 304
Stainless steel



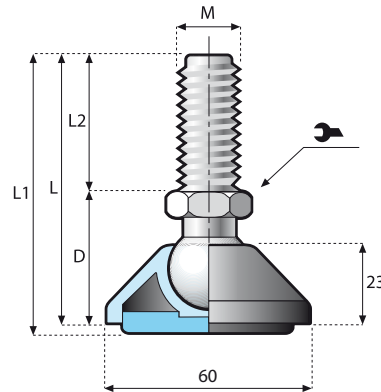
Nickel plated brass



Polyamide



Zinc plated steel

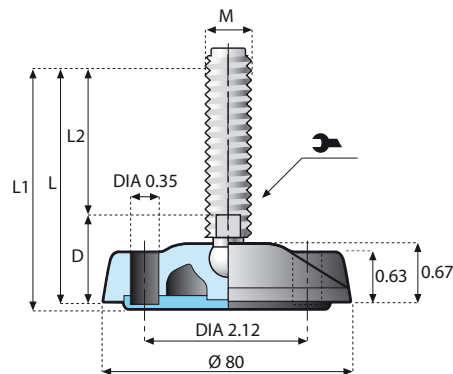


D60

Code	Code	Spindle		Nut		D		M	L	L1	L2	
Standard	Antivibration	Type	Material	material								
17514	17714	3	PA.FE	FE.ZN	42	24	16	104	107	62	4000	
17515	17715	3	PA.FE	S/S	42	24	16	104	107	62	10000	
17517	17722	11	OT.NI	S/S	41	20	16	98	101	57	12000	
17519	17523	1	S/S 304	S/S	42	24	16	107	110	65	12000	
17524	17525	1	S/S 304	S/S	42	24	16	157	160	115	12000	
17766	17767	2	S/S 304	S/S	41	24	16	98	101	57	15000	
17768	17769	2	S/S 304	S/S	41	24	16	156	159	115	15000	

ARTICULATED FOOT

Material: pad in polyamide, spindle and nut as in the table, antivibration version with oil resistant rubber hardness 70 shore.



D80

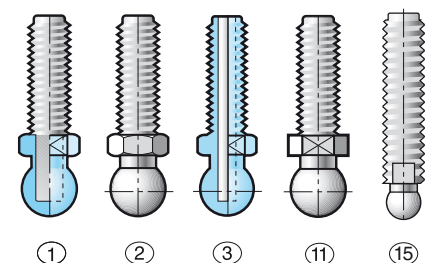
Code	Code	Spindle		Nut		D		M	L	L1	L2	
Standard	Antivibration	Type	Material	material								
17540	17549	15	FE.ZN	FE.ZN	28	13	16	97	100	69	15000	
17541	17550	15	FE.ZN	FE.ZN	28	13	16	147	150	119	15000	
17560	17570	15	S/S 304	S/S	28	13	16	97	100	69	15000	
17561	17571	15	S/S 304	S/S	28	13	16	147	150	119	15000	

ARTICULATED FOOT

Material: pad in polyamide, spindle and nut as in the table, antivibration version with oil resistant rubber hardness 70 shore.

S/S = STAINLESS STEEL AISI 304
FE.ZN = ZINC PLATED STEEL • = WITHOUT NUT
OT.NI = NICKEL PLATED BRASS
PA.FE = POLYAMIDE WITH STEEL INSERT
STANDARD VERSION = WITHOUT RUBBER
ANTIVIBRATION VERSION = WITH RUBBER

STATED LOAD VALUES ARE MEANT FOR STATIC CONDITIONS. SUCH VALUES HAVE TO BE ADEQUATELY REDUCED IN PRESENCE OF HIGH FREQUENCY VIBRATIONS OR DYNAMIC LOADS. FOR FURTHER INFORMATION CONTACT OUR TECHNICAL OFFICE.



Articulated feet

 Preferred type, readily available (codes marked in red)



AISI 304
Stainless steel



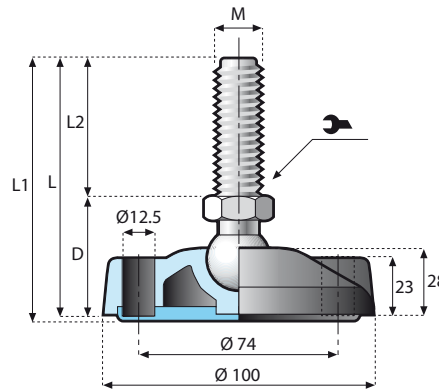
Nickel plated brass



Polyamide





Zinc plated steel

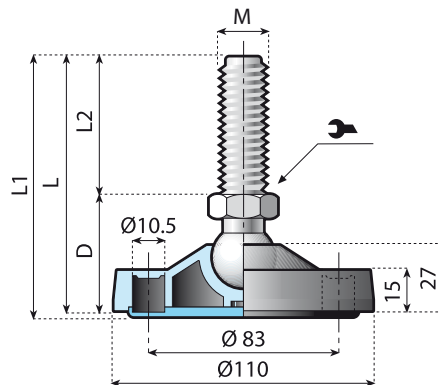


D100

ARTICULATED FOOT

Material: pad in polyamide, spindle and nut as in the table, antivibration version with oil resistant rubber hardness 70 shore.



Code	Code	Spindle		Nut		D		M	L	L1	L2	
Standard	Antivibration	Type	Material	material	D							
17629	17645	1				47	24	16	112	115	65	12000
17630	17646	1	S/S 304	•		47	24	16	162	165	115	12000
17782	17783	2				45	24	16	102	105	57	18000
17784	17785	2	S/S 304	•		45	24	16	160	163	115	18000



D110

ARTICULATED FOOT

Material: pad in polyamide, spindle and nut as in the table, antivibration version with oil resistant rubber hardness 70 shore.

Code	Code	Spindle		Nut		D		M	L	L1	L2	
Standard	Antivibration	Type	Material	material	D							
17528	17456	1				47	24	16	112	115	65	12000
17520	17458	1	S/S 304	S/S		47	24	16	162	165	115	12000
17363	17367	1				47	24	16	207	210	160	12000
17710	17711	2				45	24	16	102	105	57	18000
17712	17713	2	S/S 304	S/S		45	24	16	160	163	115	18000
17717	17718	2				45	24	16	190	193	145	18000

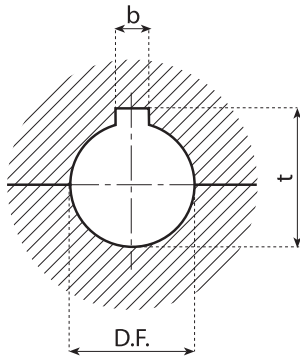
FOR FURTHER INFORMATION ABOUT THIS LINE PLEASE CONSULT THE PRESSO-LINE CATALOGUE.



Technical information
Chemical resistance

Technical information tolerances and dimensions

SPLIT SPROCKETS



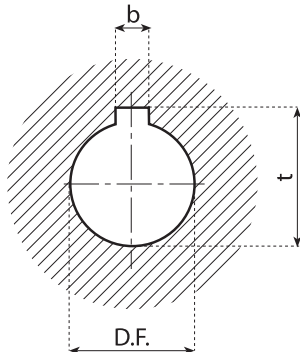
DF mm		b mm		t mm	
nominal	tolerance	nominal	tolerance	nominal	tolerance
20	P9 (-0.022 / -0.074)	6	P9 (-0.012 / -0.042)	22.8	+0.1 / 0
25	P9 (-0.022 / -0.074)	8	P9 (-0.015 / -0.051)	28.3	+0.2 / 0
30	P9 (-0.026 / -0.088)	8	P9 (-0.015 / -0.051)	33.3	+0.2 / 0
35	P9 (-0.026 / -0.088)	10	P9 (-0.015 / -0.051)	38.3	+0.2 / 0
40	P9 (-0.026 / -0.088)	12	P9 (-0.018 / -0.061)	43.3	+0.2 / 0
45	P9 (-0.026 / -0.088)	14	P9 (-0.018 / -0.061)	48.8	+0.2 / 0
50	P9 (-0.026 / -0.088)	14	P9 (-0.018 / -0.061)	53.8	+0.2 / 0

UNI 6604 - 69 / ISO 773 - DIN 6885

Tolerance for "plus" sprockets

DF (+0.5 mm / +0.3 mm)	b (+0.3 mm / +0.2 mm)	t (+0.4 mm / +0.2 mm)
------------------------	-----------------------	-----------------------

STANDARD SPROCKETS



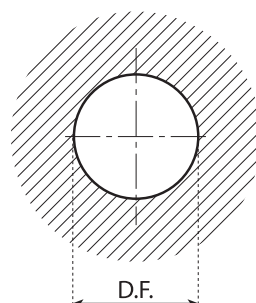
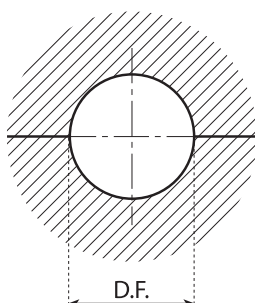
DF mm		b mm		t mm	
nominal	tolerance	nominal	tolerance	nominal	tolerance
20	H7 (+0.021 / 0)	6	D10 (+0.078 / +0.030)	22.8	+0.1 / 0
25	H7 (+0.021 / 0)	8	D10 (+0.098 / +0.040)	28.3	+0.2 / 0
30	H7 (+0.021 / 0)	8	D10 (+0.098 / +0.040)	33.3	+0.2 / 0
35	H7 (+0.025 / 0)	10	D10 (+0.098 / +0.040)	38.3	+0.2 / 0
40	H7 (+0.025 / 0)	12	D10 (+0.120 / +0.050)	43.3	+0.2 / 0
45	H7 (+0.025 / 0)	14	D10 (+0.120 / +0.050)	48.8	+0.2 / 0
50	H7 (+0.025 / 0)	14	D10 (+0.120 / +0.050)	53.8	+0.2 / 0

UNI 6604 - 69 / ISO 773 - DIN 6885

Tolerance for "plus" sprockets

DF (+0.5 mm / +0.3 mm)	b (+0.3 mm / +0.2 mm)	t (+0.4 mm / +0.2 mm)
------------------------	-----------------------	-----------------------

STANDARD AND SPLIT IDLER WHEELS



DF mm	
nominal	tolerance
20	+0.4 / +0.2
25	+0.4 / +0.2
30	+0.4 / +0.2
35	+0.4 / +0.2
40	+0.4 / +0.2
45	+0.4 / +0.2
50	+0.4 / +0.2

Technical information tolerances and dimensions

INTERNATIONAL SYSTEM (SI) CONVERSION FACTORS

To convert SI (metric)	Symbol SI	Divided by factor	To obtain
Length			
meter	m	0.3048	foot
centimeter	cm	30.48	foot
millimeter	mm	304.8	foot
meter	m	0.0254	inch
centimeter	cm	2.54	inch
millimeter	mm	25.4	inch
meter	m	1609.34	mile
kilometer	km	1.60934	mile
meter	m	0.9144	yard
Mass			
gram	g	28.3495	ounce (avoirdupois)
kilogram	kg	0.0283495	ounce (avoirdupois)
kilogram	kg	0.45359	pound (avoirdupois)
Velocity			
meter/minute	-	0.00508	foot/hour
meter/hour	-	0.3048	foot/hour
meter/minute	-	0.3048	foot/minute
meter/second	m/s	0.00508	foot/minute
meter/minute	-	18.288	foot/second
meter/second	m/s	0.3048	foot/second
Force			
newton	N	9.80665	kilogram-force
newton	N	9.80665	kilopound
newton	N	0.27801	ounce-force
newton	N	4.44822	pound-force
newton/meter	N/m	175.1268	pound/inch
newton/meter	N/m	14.5939	pound/foot

APPLICATION TEMPERATURES

Material	Symbol	Min. Temp. C°	Max. temperature °C	
			Dry environment	Wet environment
Carbon steel	CS	- 40°	+ 180°	+ 120°
Ferritic stainless steel	SS	- 40°	+ 260°	+ 120°
Austenitic stainless steel	AU	- 40°	+ 420°	+ 120°
Acetal	POM	- 40°	+ 85°	+ 70°
Lf Acetal	POM	- 40°	+ 85°	+ 70°
Polyamide	PA	- 10°	+ 80°	+ 90°
Reinforced polyamide	PA.FV	- 20°	+ 120°	+ 120°
Polypropylene	PP	- 5°	+ 100°	+ 100°
Reinforced polypropylene	PP.FV	- 10°	+ 110°	+ 110°
Polyethylene	PE	- 40°	+ 80°	+ 70°

Chemical resistance

Data shown in the table was taken from laboratory tests performed on unstrained samples and are merely indicative.

Chemical resistance under normal working conditions can depend on various factors, such as stress and temperature, concentration of the chemical agent and duration of its effects.

CHEMICAL AGENT	Polyamide		Polypropylene		Acetal resin		Polyethylene		Nickel plated brass		Rubber		Stainless steel			
	PA		PP		POM		PE		OT.NI.		NBR		VITON		AISI 304	
	C	Note % 23°C	C	Note % 23°C	C	Note % 23°C	C	Note % 23°C	C	Note % 23°C	C	Note % 23°C	C	Note % 23°C	C	Note % 23°C
TECHNICAL INFORMATION																
Acetic acid	S	10 ★	40 ●		5 ★		10 ●		○		★		20 ★		20 ●	
Acetone		100 ●		●		○		●		●		★		★		25 ●
Acrylonitrile		100 ●		●								★		★		
Aluminium chloride	S	10 ●		○							S	●	S	SA	●	○
Aluminium sulphate	S	10 ●		●				●			S	●	S	SA	●	
Amyl alcohol		100 ●		●				●							●	●
Ammonia		10 ●		30 ●	S	●		●		★	S	○	S	○		100 ●
Ammonium chloride	S	10 ●	S	10 ●							S	●	S	SA	●	○
Aniline		100 ○		●				3 ●				★		●		●
Barium chloride	S	10 ●		●							S	●	S	●		○
Beer		●		●		●		●		●		●		●		●
Benzene				●		●			○							70 ○
Benzic acid	S	SA ○		SA ●							S	●	S	●		100 ●
Benzol		100 ●		○		●			○		●		★		○	●
Boric acid	S	10 ●		SA ●				SA ●			S	●	S	SA	●	SA ●
Brine		○		○				●								○
Butter		●		●		●		●		●		●		●		●
Butyl acetate		100 ●		○											★	
Butyl alcohol		100 ●		●								○		●		●
Butyl glycole		100 ●		●												
Calcium chloride	S	10 ●	S	50 ●				SA ●		●	S	●	S	SA	●	○
Carbon sulphide		100 ●		●		●						★		●		●
Carbon tetrachloride		●		★		●				●		★		●		10 ●
Chlorine water				★		★		★								★
Chloroform		100 ★		○		★		★		●		★		●		●
Chromic acid	S	1 ○									S	★		50 ●		10 ●
Citric acid	S	10 ○		10 ●		○		●		★	S	●	S	SA	●	25 ●
Cyclohexane		100 ●		●								●		●		
Cyclohexanol		100 ●		●								●		●		
Decalin		●		○								○		★		
Dioxane		●		○								★				
Distilled water		●		●		●		●		●				★		●
Ethyl acetate		100 ●		●								★		●		○
Ethyl alcohol		96 ●		96 ●		●						○		○		10 ●
Ethyl chloride		100 ●		★				○		○		○		★		●
Ethyl ether		100 ●		●										●		
Ferric chloride	S	10 ●		●							S	●	S	SA	●	○
Food fats		●				●		●				●		●		●
Food oils		●		●		●		●				●		●		●
Formaldehyde	S	30 ●	S	40 ●		●		○		●		○		40 ★		100 ●
Formic acid	S	10 ★				10 ★		10 ★		●		★		○		★
Freon 12	L	●										●		●		●
Fresh water		●		●		●		●				●		●		●
Fruit juice		●		●		●		●				●		●		○
Gasoline		●		○				○		○		○		●		●
Glycerine		●		●		●		●		●		●		●		●
Hydrochloric acid	S	10 ★	S	30 ●		35 ★		35 ●		○	S	○		37 ●		★
Hydrofluoric acid	S	40 ★		40 ●				70 ●				★		48 ●		★
Hydrogen peroxide	S	3 ★									S	★		90 ●		●
Isopropyl alcohol		●		●										●		●
Lactic acid	S	10 ●	S	20 ●		●		●		★	S	●		●		○
Linseed oil		●		●		●		●				●		●		●

Chemical resistance

Data shown in the table was taken from laboratory tests performed on unstrained samples and are merely indicative.

Chemical resistance under normal working conditions can depend on various factors, such as stress and temperature, concentration of the chemical agent and duration of its effects.

CHEMICAL AGENT	Polyamide		Polypropylene		Acetal resin		Polyethylene		Nickel plated brass		Rubber		Stainless steel		
	PA		PP		POM		PE		OT.NI.		NBR		VITON		AISI 304
	C	Note % 23°C	C	Note % 23°C	C	Note % 23°C	C	Note % 23°C	C	Note % 23°C	C	Note % 23°C	C	Note % 23°C	C

TECHNICAL INFORMATION																
Magnesium chloride	S	10	●	S	SA	●					S	●	S	SA	●	○
Methyl acetate		100	●			●						★		★		○
Methyl alcohol		100	●				●			●		○		○		80 ●
Methylene chloride		100	●		○	★		○				★		○		○
Milk			●		●	●		●		●		●		●		●
Mineral oil			●		●	●		●				●		●		●
Nitric acid		10	★	S		●	5 ●	5 ○			S	10 ★		70 ●		65 ●
Nitrobenzene		100	○		●							★		○		
Oleic acid		100	●		●			○		●		○		○		●
Oxalic acid	S	10	○	S	50	●					S	○	S	●		65 ●
Paraffin						●		●								
Petroleum			●		●	●		★		●		●		●		●
Petroleum ether			●		●	●				●		★		●		●
Phenol	S		★		●							★		●		●
Phosphoric acid	S	10	★		85 ●		10 ★	95 ●		★	S	20 ○		85 ●		★
Potassium bichromate	S	5	○	S	10	●					S	○	S	SA	●	
Potassium bromide	S	10	●		SA	●					S	●	S	●		
Potassium hydroxide	S	10	●		50 ●		25 ★	25 ●			S	○	S	●		50 ●
Potassium permanganate		1	★	S		●					S	★	S	●		●
Sea water			●		●		○	●		●		●		●		●
Silicone oil			●		●							●		●		●
Silver nitrate			●	S	20 ●						S	○	S	●		○
Sodium carbonate		10	●	S	SA	●	●	●			S	●	S	●		100 ●
Sodium chloride	S	10	●	S	SA	●	●	●		●	S	●	S	SA	●	○
Sodium hydroxide	S	10	●								S	○				●
Sodium hypochlorite	S		●	S	20 ●		★	●			S	★		5 ●		★
Sodium silicate			●								S	●		●		100 ●
Sodium sulphate	S	10	●								S	●	S	●		100 ●
Soft drinks			●		●	●		●				●		●		●
Suds	S		●		●	●		●			S	●		●		●
Sulphuric acid	S	10	★		98 ●		40 ★	40 ○		●	S	★		95 ●		★
Tartaric acid			●	S	10 ●		30 ○	●			★	S	●	●		50 ●
Tetrahydrofuran			●		○							★		★		
Tetralin			●		★							★		●		★
Tincture of iodine			★		●			●		★		★		●		○
Toluol			●		●							★		○		
Transformer oil			●		○							●		●		
Trichloroethylene			○		○							★		●		★
Triethanolamin			●		●							★		★		
Turpentine						★		★								●
Vaseline			●					○				●		●		
Vegetable juice			●		●	●		●				●		●		●
Vegetable oils			●		●	●		●				●		●		●
Vinegar			●		●	●		●		●		○		★		●
Water and soap			●		●	●		●				●		●		●
Whisky			●		●					●		●		●		●
Wine			●		●	●		●		●		●		●		●
Xylol			●		★	●		○		○		★		●		●

ABBREVIATION

C = concentration SA = saturated ● = Good resistance. ★ = Insufficient resistance (not recommended).
 L = liquid S = solution ○ = Fairly good resistance depending on use conditions Blank spaces = No tests performed

Index

LIST OF CODES

Code	Reference	Page	Code	Referement	Page	Code	Referement	Page	Code	Referement	Page
12025		198	12822V		39	12919		52	13058		308
12025W		198	12823N		39	13001		148	13059		308
12026		198	12823V		39	13002		148	13060		308
12026W		198	12824N		39	13003		148	13061		308
12027		198	12824V		39	13004		148	13062		308
12027W		198	12826		52	13005		149	13063		308
12028		198	12827N		39	13006		129	13064		308
12028W		198	12827V		39	13006NV		128	13065		308
12300		197	12828N		39	13007		132	13066		308
12301		197	12828V		39	13008NV		135	13076		308
12303N		38	12829		292	13009NV		135	13077		308
12303V		38	12830		292	13010NV		135	13078		308
12304N		39	12831		48	13011NV		135	13079		308
12304V		39	12831LN		51	13012		134	13080		308
12305N		39	12831RN		49	13013		138	13081		308
12305V		39	12833		48	13013S		138	13088		214
12306		196	12833LN		51	13014	VG-012-01	138	13089		214
12306AS		196	12833RNF		49	13014L	VG-012-03	138	13100		223
12306B		196	12835		48	13014S	VG-012-SH	138	13101		223
12307N		38	12835LN		51	13014SL	VG-012-03-SH	138	13102		223
12307V		38	12835RN		49	13015		140	13104		276
12308		196	12836		48	13016		253	13104K		276
12308AS		196	12836LN		51	13017		253	13105		276
12308G		196	12836RN		49	13018		253	13106		276
12531		53	12837		48	13019		260	13107		276
12532		53	12837LN		51	13020		214	13108		276
12533		53	12837RNF		49	13021		214	13109		276
12535N		46	12838		48	13022		215	13110		276
12535RN		47	12838LN		51	13023		215	13111		276
12535V		46	12838RNF		49	13024		215	13112		276
12536N		46	12839		53	13025		215	13113		276
12536RN		47	12839F		53	13026		215	13114		277
12536V		46	12840		53	13027		215	13115		278
12696		291	12840F		52	13028		253	13116		278
12697		291	12841		52	13029		253	13120		140
12698		291	12842		52	13030		253	13121		254
12699		291	12843		52	13031		254	13121V		255
12700		291	12844		52	13031V		255	13122		254
12701		291	12845		52	13032		254	13122V		255
12702		291	12846		52	13032V		255	13123		254
12703		291	12847		52	13033		254	13123V		255
12704		291	12848		52	13033V		255	13124		254
12705		291	12849		52	13034		254	13124V		255
12706		291	12850		40	13034V		255	13125		254
12707		292	12855		40	13035		254	13125V		255
12708		292	12860N		39	13035V		255	13126		254
12709		292	12860V		39	13036		254	13126V		255
12710		292	12861N		39	13036V		255	13127		254
12714		291	12861V		39	13037		251	13127V		255
12715		291	12862N		38	13037V		251	13128		254
12760		52	12862V		38	13038		251	13128V		255
12761		52	12863N		39	13038V		251	13129		254
12762		48	12863V		39	13039		251	13129V		255
12762LN		51	12864N		39	13039V		251	13130		254
12762RN		49	12864V		39	13040		222	13130V		255
12763		48	12890		53	13041		222	13131		254
12763LN		51	12890F		53	13042		222	13131V		255
12763RNF		49	12891		53	13043		222	13132		254
12797		52	12892		48	13044		223	13132V		255
12798		52	12892LN		51	13045		223	13135		264
12815N		38	12892RN		49	13046		223	13139		264
12815V		38	12894		52	13047		223	13140		276
12816		196	12895N		38	13048		223	13141		276
12816AS		196	12895V		38	13049		223	13142		276
12816B		196	12896N		38	13050		224	13143		276
12818		198	12896V		38	13051		224	13144		264
12820N		38	12897N		38	13052		224	13145		277
12820V		38	12897V		38	13054		215	13146		277
12821N		39	12898		41	13055		215	13147		277
12821V		39	12899		41	13056		215	13148		280
12822N		39	12918		52	13057		226	13149		289

Index

LIST OF CODES

Code	Referement	Page	Code	Referement	Page	Code	Referement	Page	Code	Referement	Page
13149SF		289	13217		212	13284		217	13352F		137
13150		289	13218		212	13285		217	13353		136
13151		277	13219		212	13286		217	13353F		137
13152		278	13220		212	13287		217	13354		136
13153		278	13221		213	13288		217	13354F		137
13154		280	13222		213	13289		217	13355		311
13155		279	13223		213	13290		217	13356		311
13156		279	13224		213	13291		217	13357		311
13157		279	13225		213	13292		217	13360V		266
13158		279	13226		213	13293		217	13360VN		266
13159		279	13227		212	13294		217	13361V		266
13160		277	13228		212	13296		257	13361VN		266
13161		278	13229		212	13296V		252	13362V		266
13162		278	13230		212	13296VA		252	13362VN		266
13163		136	13231		285	13297		257	13363V		266
13163F		137	13232		285	13297V		252	13363VN		266
13164		136	13233		285	13297VA		252	13364V		266
13164F		137	13234		285	13298		257	13364VN		266
13165		136	13235		285	13298FP		257	13365V		266
13165F		137	13236		285	13299		257	13365VN		266
13166		136	13237		285	13299FP		257	13399		258
13166F		137	13238		285	13300		256	13400		258
13167		134	13239		285	13301		256	13401		314
13168		134	13240		285	13302		256	13402		314
13169		134	13241		285	13302FP		256	13403		314
13170		134	13242		285	13303		256	13404		314
13171		153	13243		285	13303FP		256	13405		314
13172		153	13244		285	13310		268	13406		314
13173		153	13245		285	13310V		267	13407		314
13174		153	13249		225	13311		268	13408		314
13175		136	13250		261	13311V		267	13409		314
13175F		137	13251		225	13312		268	13410		314
13176		136	13252		262	13312V		267	13411		314
13176F		137	13253		261	13313		268	13412		314
13177		136	13254		261	13313FP		269	13413		314
13177F		137	13255		261	13314		268	13414		309
13178		136	13256		261	13314FP		269	13414A		309
13178F		137	13257		262	13315		268	13415		309
13180		265	13258		262	13315FP		269	13415A		309
13181		265	13260		270	13316		266	13416		309
13182		265	13260V		267	13317		266	13416A		309
13183		265	13261		270	13318		266	13417		309
13184		148	13261V		267	13319		266	13417A		309
13185		218	13262		270	13320		266	13418		309
13186		220	13262V		267	13321		266	13418A		309
13187		259	13263		270	13322		268	13419		309
13188		259	13263V		267	13322V		267	13419A		309
13189		260	13264		270	13323		268	13420		309
13190		128	13264FP		271	13323FP		269	13420A		309
13191		128	13265		270	13326		213	13421		309
13192		129	13265FP		271	13327		213	13421A		309
13193		129	13266		270	13328		213	13422		309
13194		129	13266FP		271	13332		213	13422A		309
13195		132	13267		270	13333		213	13423		309
13196		133	13267FP		271	13334		213	13423A		309
13197		133	13268		211	13338		312	13424		309
13198		260	13269		211	13340		313	13424A		309
13200		208	13270		216	13341		311	13425		309
13201		208	13271		216	13342		312	13425A		309
13205		224	13272		216	13343		311	13426		309
13206		224	13273		216	13344		312	13426A		309
13207		224	13274		216	13345		311	13427		309
13208		211	13275		216	13346		313	13427A		309
13209		211	13276		216	13347		313	13428		309
13210		211	13277		217	13348		312	13428A		309
13211		209	13278		217	13349		312	13429		309
13212		209	13279		217	13350		309	13429A		309
13213		212	13280		217	13350A		309	13430		309
13214		212	13281		217	13351		136	13430A		309
13215		212	13282		217	13351F		137	13431		309
13216		212	13283		217	13352		136	13431A		309

Index

LIST OF CODES

Code	Reference	Page	Code	Reference	Page	Code	Reference	Page	Code	Reference	Page
13432		309	13468A		309	13513		282	13552		314
13432A		309	13469		309	13513H		283	13553		314
13433		309	13469A		309	13513HV		283	13554		314
13433A		309	13470		309	13513V		282	13555		314
13434		309	13470A		309	13514		282	13556		314
13434A		309	13471		309	13514H		283	13557		314
13435		309	13471A		309	13514HV		283	13558		314
13435A		309	13472		309	13514V		282	13559		314
13436		309	13472A		309	13515		282	13560		314
13436A		309	13473		309	13515H		283	13561		314
13437		309	13473A		309	13515HV		283	13562		314
13437A		309	13474		310	13515V		282	13563		314
13438		309	13474A		310	13516		282	13564		314
13438A		309	13475		310	13516H		283	13565		314
13439		309	13475A		310	13516HV		283	13566		314
13439A		309	13476		310	13516V		282	13567		314
13440		309	13476A		310	13517		282	13568		314
13440A		309	13477		310	13517H		283	13569		314
13441		309	13477A		310	13517HV		283	13570		314
13441A		309	13478		310	13517V		282	13571		314
13442		309	13478A		310	13518		282	13572		314
13442A		309	13479		310	13518H		283	13573		314
13443		309	13479A		310	13518HV		283	13574		314
13443A		309	13480		310	13518V		282	13575		314
13444		309	13480A		310	13519		282	13576		314
13444A		309	13481		310	13519H		283	13577		314
13445		309	13481A		310	13519HV		283	13580		220
13445A		309	13482		310	13519V		282	13581		220
13446		309	13482A		310	13520		282	13582		220
13446A		309	13483		310	13520H		283	13583		220
13447		309	13483A		310	13520HV		283	13584		220
13447A		309	13484		310	13520V		282	13585		220
13448		309	13484A		310	13521		282	13586		221
13448A		309	13485		310	13521H		283	13587		221
13449		309	13485A		310	13521HV		283	13588		221
13449A		309	13486		310	13521V		282	13589		221
13450		309	13486A		310	13522		282	13590		221
13450A		309	13487		310	13522H		283	13591		221
13451		309	13487A		310	13522HV		283	13592		221
13451A		309	13488		310	13522V		282	13593		221
13452		309	13488A		310	13523		282	13594		221
13452A		309	13489		310	13523H		283	13595		221
13453		309	13489A		310	13523HV		283	13596		221
13453A		309	13489S		310	13523V		282	13597		221
13454		309	13491		311	13524		282	13600		278
13454A		309	13492		311	13524H		283	13601		278
13456		309	13493		311	13524HV		283	13602		278
13456A		309	13494		155	13524V		282	13603		278
13457		309	13495		155	13525		149	13604		278
13457A		309	13496		155	13526		149	13605		278
13458		309	13500		288	13527		149	13606		278
13458A		309	13505		288	13530		218	13607		278
13459		309	13506		288	13531		218	13608		278
13459A		309	13507		288	13532		218	13609		278
13460		309	13508		288	13533		218	13610		278
13460A		309	13509		282	13534		218	13611		278
13461		309	13509H		283	13535		218	13612		278
13461A		309	13509HV		283	13536		219	13613		278
13462		309	13509V		282	13537		219	13614		278
13462A		309	13510		282	13538		219	13615		287
13463		309	13510H		283	13539		219	13616		286
13463A		309	13510HV		283	13540		219	13616H		286
13464		309	13510V		282	13541		219	13617		286
13464A		309	13511		282	13542		219	13617H		286
13465		309	13511H		283	13543		219	13618		286
13465A		309	13511HV		283	13544		219	13618H		286
13466		309	13511V		282	13545		219	13619		286
13466A		309	13512		282	13546		219	13619H		286
13467		309	13512H		283	13547		219	13620		286
13467A		309	13512HV		283	13550		314	13620H		286
13468		309	13512V		282	13551		314	13632		210

Index

LIST OF CODES

Code	Reference	Page	Code	Reference	Page	Code	Reference	Page	Code	Reference	Page
13633		210	13731		142	13801		227	13876		212
13634		210	13732		142	13802		227	13877		212
13635		210	13733		142	13803		227	13878		212
13639		212	13734		142	13804		227	13879		212
13640		212	13735		142	13805		228	13880		213
13641		212	13736		142	13806		228	13881		213
13642		212	13737		153	13809		230	13882		213
13643		212	13738		153	13812		249	13883		213
13644		212	13739		153	13813		249	13884		213
13645		212	13740		144	13815		229	13885		213
13646		212	13741		144	13815W		229	13886		215
13647		212	13742		144	13816		229	13887		215
13648		212	13743		144	13816W		229	13888		215
13649		212	13744NV		144	13817		229	13889		222
13650		212	13745		143	13817W		229	13890		222
13651L		273	13746		215	13818		229	13891		222
13651P		273	13747		215	13818W		229	13892		223
13652L		273	13748		215	13819		229	13893		223
13652P		273	13749		215	13819W		229	13894		223
13653L		273	13750		215	13820		229	13895		224
13653P		273	13751		215	13820W		229	13896		224
13654L		273	13752		250	13821		229	13897		224
13654P		273	13753		250	13821W		229	13898		225
13655L		273	13754		147	13822		229	13898		290
13655P		273	13755		147	13822W		229	13899		290
13656L		273	13756		147	13823		229	13900		226
13656P		273	13757		147	13823W		229	13901		156
13657L		273	13758		250	13824		229	13902		156
13657P		273	13760		208	13824W		229	13903		156
13658L		273	13761XP		146	13825		229	13904		156
13658P		273	13764		209	13825W		229	13905		156
13659L		273	13765		209	13826		229	13906		156
13659P		273	13767		208	13826W		229	13907		157
13660L		273	13768		208	13827		335	13908		157
13660P		273	13769		211	13828		335	13909		157
13661L		273	13770XP		146	13829		199	13910		157
13661P		273	13771		145	13831		230	13911		157
13662L		273	13772		145	13833		199	13912		157
13662P		273	13772XP		146	13834		153	13913		157
13663L		273	13773		145	13835		155	13914		157
13663P		273	13773XP		146	13836		152	13915		157
13664L		273	13774		145	13837		154	13916		157
13664P		273	13775		156	13846		290	13917		157
13665L		273	13776		156	13847		214	13918		158
13665P		273	13777		147	13848		214	13919		158
13666		272-274	13778		147	13849		214	13920		158
13667		272-274	13779		147	13851		209	13921		158
13668		272-274	13780		147	13852		209	13922		158
13669		272-274	13781		251	13853		210	13923		158
13670		272-274	13781V		251	13854		210	13924		158
13671		272-274	13782		251	13855		210	13925		158
13692		211	13782V		251	13856		210	13926		158
13693		211	13783		251	13857		210	13927		158
13696		211	13783V		251	13858		210	13928		158
13697		211	13784		152	13859		210	13929		158
13715		155	13785		152	13860		210	13930		226
13716		155	13786		154	13861		210	13931		226
13717		155	13787		154	13862		210	13932		226
13718		155	13788		128	13863		211	13933		156
13719		153	13789		128	13864		211	13934		156
13720		149	13790		128	13865		211	13935		156
13721		141	13791		128	13866		211	13936		156
13722		141	13792		131	13867		211	13937		156
13723		141	13793		131	13868		212	13938		156
13724		141	13794		131	13869		212	13939		157
13725		141	13795		131	13870		212	13940		157
13726		141	13796		140	13871		212	13941		158
13727		141	13797		149	13872		212	13942		158
13728		141	13798		149	13873		212	13943		158
13729		142	13799		149	13874		212	13944		158
13730		142	13800		199	13875		212	13945		158

Index

LIST OF CODES

Code	Reference	Page	Code	Reference	Page	Code	Reference	Page	Code	Reference	Page
13946		158	14052		332	14133		295	14353		70-337
13947		158	14053		329	14134		304	14354		63
13948		158	14068		330	14135		296	14355		63
13950		158	14069		330	14135G		296	14356		63
13951		158	14070		330	14136		294	14357		64
13952		158	14071		330	14136G		294	14358		64
13953		158	14072		330	14137		294	14361		64
13954		159	14073		330	14137G		294	14362		64
13955		159	14075		22	14140		296	14600		340
13956		159	14076N		24	14141		296	14601		340
13957		159	14076V		24	14142		296	14602		340
13958		159	14077N		24	14150		325	14603		340
13959		159	14077V		24	14151		325	14604		340
13960		141	14078N		25	14152		325	14605		340
13961		141	14078V		25	14153		325	14606		340
13962		141	14079N		25	14154		325	14607		340
13963		141	14079V		25	14155		326	14608		340
13964		141	14080		28	14156		326	14609		340
13965		141	14080V		28	14157		326	14610		340
13966		141	14081		28	14158		326	14611		340
13967		141	14081V		28	14159		326	14612		340
13968		142	14082		27	14160		297	14719		333
13969		142	14083		27	14161		297	14720		333
13970		142	14084		27	14199		307	14721		333
13971		142	14085		27	14200		307	14722		333
13972		142	14087N		24	14201		307	14723		333
13973		142	14087V		24	14202		307	14724		333
13974		142	14088N		24	14203		307	14725		333
13975		142	14088V		24	14204		307	14726		333
13977		143	14090		21	14205		307	14729		333
13978		143	14090V		21	14206		307	14732		332
13979		143	14091		21	14207		307	14733		332
13980		143	14091V		21	14208		307	14734		333
13981		335	14100		329	14220		306	14736		336
13982		151	14101		329	14221		306	14737		333
13983		151	14104		295	14222		306	14738		333
13984		151	14105		295	14230		306	14739		331
13985		153	14106		294	14231		306	14740		331
13986		153	14106G		294	14232		306	14741		331
13987		153	14107		294	14234		306	14742		331
13994		151	14107G		294	14235		306	14743		333
13995		150	14108		22	14236		306	14744		328
13996		150	14109		22	14280		297	14744N		328
13997		150	14110		23	14280G		297	14745		328
13999		251	14110T		23	14280G-SS		297	14746		332
13999V		251	14110TV		23	14280-SS		297	14747		332
14001		337	14110V		23	14281		297	14748		328
14002		337	14111		22	14281G		297	14748N		328
14003		337	14112		294	14281G-SS		297	14749		337
14004		337	14112G		294	14281-SS		297	14750		339
14005		337	14113		294	14290		298	14751		339
14006		337	14113G		294	14300		71	14752		339
14010		60	14114		296	14319		59	14753		337
14011		60	14114G		296	14320		58	14754		339
14012		60	14115		296	14321		58	14755		339
14013		61	14116		296	14322		58	14756		340
14014		61	14117		296	14325		59	14757		340
14015		338	14118		295	14339		57	14758		340
14016		338	14119		295	14340		56	14759		340
14017		337	14120		304	14341		56	14763		339
14018		337	14121		295	14342		56	14764		339
14019		70-338	14122		295	14343		71	14765		339
14020		70-338	14123		295	14344		71	14766		339
14021		70-338	14124		295	14345		57	14767		339
14022		70-338	14125		295	14346		70	14768		339
14040		334	14126		295	14347		29	14769		340
14041		334	14128		295	14348		70	14770		340
14042		334	14129		295	14349		62	14771		340
14043		334	14130		295	14350		62	14772		340
14050		331	14131		295	14351		62	14773		339
14051		331	14132		295	14352		70-337	14774		339

Index

LIST OF CODES

Code	Reference	Page	Code	Reference	Page	Code	Reference	Page	Code	Reference	Page
14775		339	14843B		72	16001AS		188	16013V		191
14776		339	14844		72	16001ASS		188	16030		192
14777		339	14844B		72	16001L		188	16030AS		192
14778		339	14845		72	16001LSS		188	16030ASS		192
14779		340	14845B		72	16001LX		187	16030B		192
14780		340	14856		328	16001LXA		187	16030BSS		192
14781		340	14857		328	16001LXAS		187	16030SS		192
14782		340	15055		342	16001LXS		187	16031		192
14783		340	15056		342	16001V		188	16031AS		192
14784		340	15057		342	16001VSS		188	16031ASS		192
14785		340	15058		342	16001VX		187	16031B		192
14786		340	15059		342	16001VXS		187	16031BSS		192
14787		340	15060		342	16002AS		188	16031SS		192
14788		340	15061		342	16002ASS		188	16032		192
14790		340	15062		342	16002L		188	16032AS		192
14791		339	15063		342	16002LSS		188	16032ASS		192
14792		339	15064		342	16002LX		187	16032B		192
14793		339	15065		342	16002LXA		187	16032BSS		192
14794		339	15066		342	16002LXAS		187	16032SS		192
14795		340	15067		342	16002LXS		187	16033		193
14796		340	15068		342	16002V		188	16033AS		193
14797		340	15069		342	16002VSS		188	16033ASS		193
14798		340	15070		342	16002VX		187	16033B		193
14799		339	15071		342	16002VXS		187	16033BSS		193
14800		339	15072		342	16003AS		188	16033SS		193
14801		339	15073		342	16003ASS		188	16034		193
14802		339	15074		342	16003L		188	16034AS		193
14803		339	15075		342	16003LSS		188	16034ASS		193
14804		339	15076		342	16003LX		187	16034B		193
14805		340	15077		342	16003LXA		187	16034BSS		193
14806		340	15078		342	16003LXAS		187	16034SS		193
14807		340	15079		343	16003LXS		187	16035		193
14808		340	15080		343	16003V		188	16035AS		193
14809		340	15081		343	16003VSS		188	16035ASS		193
14810		340	15082		343	16003VX		187	16035B		193
14811		340	15083		343	16003VXS		187	16035BSS		193
14812		340	15084		343	16004AS		189	16035SS		193
14813		340	15085		343	16004ASS		189	16036		194
14815		336	15086		343	16004L		189	16036AS		194
14816		336	15087		343	16004LSS		189	16036B		194
14817		336	15088		343	16004V		189	16037		194
14818		336	15089		343	16004VSS		189	16037AS		194
14819		336	15090		343	16005AS		189	16037B		194
14820		72	15091		343	16005ASS		189	16038		194
14820B		72	15092		343	16005L		189	16038AS		194
14821		336	15093		343	16005LSS		189	16038B		194
14822		340	15094		343	16005V		189	16039		195
14823		340	15095		343	16005VSS		189	16039AS		195
14824		340	15096		343	16006AS		189	16039B		195
14825		340	15097		343	16006ASS		189	16040		195
14826		340	15098		343	16006L		189	16040AS		195
14827		340	15099		343	16006LSS		189	16040B		195
14828		340	15100		343	16006V		189	16041		195
14829		340	15101		343	16006VSS		189	16041AS		195
14830		340	15102		343	16007AS		190	16041B		195
14831		340	15204		344	16007L		190	16050		192
14832		340	15205		344	16007V		190	16050AS		192
14833		72	15206		344	16008AS		190	16050ASS		192
14833B		72	15207		344	16008L		190	16050B		192
14834		72	15499		341	16008V		190	16050BSS		192
14834B		72	15500		341	16009AS		190	16050SS		192
14835		339	15501		341	16009L		190	16051		192
14836		339	15502		341	16009V		190	16051AS		192
14837		339	15508		344	16011AS		191	16051ASS		192
14838		72	15509		344	16011L		191	16051B		192
14838B		72	15512		344	16011V		191	16051BSS		192
14841		72	15513		344	16012AS		191	16051SS		192
14841B		72	15704		344	16012L		191	16052		192
14842		72	15705		344	16012V		191	16052AS		192
14842B		72	15817		344	16013AS		191	16052ASS		192
14843		72	15825		344	16013L		191	16052B		192

Index

LIST OF CODES

Code	Reference	Page	Code	Reference	Page	Code	Reference	Page	Code	Reference	Page
16052BSS		192	16155B		183	16201ASS		186	16451AS		185
16052SS		192	16155SS		183	16201B		186	16451ASS		185
16053		193	16155SSB		183	16201SS		186	16451B		185
16053AS		193	16156AS		184	16201SSB		186	16451SS		185
16053ASS		193	16156ASS		184	16202		186	16451SSB		185
16053B		193	16156SS		184	16202AS		186	16452		185
16053BSS		193	16156SSB		184	16202ASS		186	16452AS		185
16053SS		193	16157AS		184	16202B		186	16452ASS		185
16054		193	16157ASS		184	16202SS		186	16452B		185
16054AS		193	16157SS		184	16202SSB		186	16452SS		185
16054ASS		193	16157SSB		184	16203		186	16452SSB		185
16054B		193	16158AS		184	16203AS		186	16453ASS		185
16054BSS		193	16158ASS		184	16203ASS		186	16453SS		185
16054SS		193	16158SS		184	16203B		186	16453SSB		185
16055		193	16158SSB		184	16203SS		186	16456		200
16055AS		193	16160		182	16203SSB		186	16457		200
16055ASS		193	16160AS		182	16204AS		186	16500		170
16055B		193	16160ASS		182	16204ASS		186	16500K		170
16055BSS		193	16160B		182	16204SS		186	16505		170
16055SS		193	16160SS		182	16204SSB		186	16505K		170
16056		194	16160SSB		182	16205AS		186	16550		170
16056AS		194	16161		182	16205ASS		186	16550K		170
16056B		194	16161AS		182	16205SS		186	16551		170
16057		194	16161ASS		182	16205SSB		186	16551K		170
16057AS		194	16161B		182	16300		172	16555		170
16057B		194	16161SS		182	16300AS		172	16555K		170
16058		194	16161SSB		182	16300V		172	16600		166
16058AS		194	16162		182	16301		172	16600K		166
16058B		194	16162AS		182	16301AS		172	16600V		166
16059		195	16162ASS		182	16301V		172	16600W		166
16059AS		195	16162B		182	16302		172	16605		167
16059B		195	16162SS		182	16302AS		172	16605K		167
16060		195	16162SSB		182	16302V		172	16605V		167
16060AS		195	16163		183	16303		172	16605W		167
16060B		195	16163AS		183	16303AS		172	16610		166
16061		195	16163ASS		183	16303V		172	16610K		166
16061AS		195	16163B		183	16305		171	16610V		166
16061B		195	16163SS		183	16305AS		171	16610W		166
16150		182	16163SSB		183	16305ASS		171	16615		167
16150AS		182	16164		183	16305SS		171	16615K		167
16150ASS		182	16164AS		183	16305SSV		171	16615V		167
16150B		182	16164ASS		183	16305V		171	16615W		167
16150SS		182	16164B		183	16351		181	16650		166
16150SSB		182	16164SS		183	16351AS		181	16650K		166
16151		182	16164SSB		183	16351ASS		181	16650V		166
16151AS		182	16165		183	16351B		181	16650W		166
16151ASS		182	16165AS		183	16351SS		181	16651		167
16151B		182	16165ASS		183	16351SSB		181	16651K		167
16151SS		182	16165B		183	16352		181	16651V		167
16151SSB		182	16165SS		183	16352AS		181	16651W		167
16152		182	16165SSB		183	16352ASS		181	16655		166
16152AS		182	16166AS		184	16352B		181	16655K		166
16152ASS		182	16166ASS		184	16352SS		181	16655V		166
16152B		182	16166SS		184	16352SSB		181	16655W		166
16152SS		182	16166SSB		184	16353ASS		181	16656		167
16152SSB		182	16167AS		184	16353SS		181	16656K		167
16153		183	16167ASS		184	16353SSB		181	16656V		167
16153AS		183	16167SS		184	16400AS		191	16656W		167
16153ASS		183	16167SSB		184	16400L		191	16660		166
16153B		183	16168AS		184	16400V		191	16660K		166
16153SS		183	16168ASS		184	16401AS		191	16660V		166
16153SSB		183	16168SS		184	16401L		191	16660W		166
16154		183	16168SSB		184	16401V		191	16665		167
16154AS		183	16200		186	16402AS		191	16665K		167
16154ASS		183	16200AS		186	16402L		191	16665V		167
16154B		183	16200ASS		186	16402V		191	16665W		167
16154SS		183	16200B		186	16449		115-200	16683AS		189
16154SSB		183	16200SS		186	16449L		115	16683ASS		189
16155		183	16200SSB		186	16450		115-200	16683L		189
16155AS		183	16201		186	16450L		115	16683LSS		189
16155ASS		183	16201AS		186	16451		185	16683V		189

Index

LIST OF CODES

Code	Reference	Page	Code	Reference	Page	Code	Reference	Page	Code	Reference	Page
16683VSS		189	16770S-SS		317	16778D		316	16923		162-164
16684AS		189	16770S-SSA		317	16778D-SR		316	16923K		162-164
16684ASS		189	16770W		317	16778D-SS		316	16923V		162-164
16684L		189	16770W-SR		317	16778D-SSA		316	16923W		162-164
16684LSS		189	16770W-SS		317	16778S		316	16924		162-164
16684V		189	16770W-SSA		317	16778-SR		316	16924K		162-164
16684VSS		189	16771		317	16778-SS		316	16924V		162-164
16685AS		189	16771D		317	16778-SSA		316	16924W		162-164
16685ASS		189	16771D-SR		317	16778-S-SR		316	16925		162-164
16685L		189	16771D-SS		317	16778S-SS		316	16925K		162-164
16685LSS		189	16771D-SSA		317	16778S-SSA		316	16925V		162-164
16685V		189	16771S		317	16778W		316	16925W		162-164
16685VSS		189	16771-SR		317	16778W-SR		316	16926		162-164
16686AS		188	16771-SS		317	16778W-SS		316	16926K		162-164
16686ASS		188	16771-SSA		317	16778W-SSA		316	16926V		162-164
16686L		188	16771S-SR		317	16800		168	16926W		162-164
16686LSS		188	16771S-SS		317	16800K		168	16927V		163-164
16686LX		187	16771S-SSA		317	16800V		168	16928V		163-164
16686LXA		187	16771W		317	16800W		168	17363		346
16686LXAS		187	16771W-SR		317	16801		168	17367		346
16686LXS		187	16771W-SS		317	16801K		168	17456		346
16686V		188	16771W-SSA		317	16801V		168	17458		346
16686VSS		188	16772		318	16801W		168	17514		345
16686VX		187	16772D		318	16805		169	17515		345
16686VXS		187	16772D-SR		318	16805K		169	17517		345
16687AS		188	16772D-SS		318	16805V		169	17519		345
16687ASS		188	16772D-SSA		318	16805W		169	17520		346
16687L		188	16772S		318	16806		169	17523		345
16687LSS		188	16772-SR		318	16806K		169	17524		345
16687LX		187	16772-SS		318	16806V		169	17525		345
16687LXA		187	16772-SSA		318	16806W		169	17528		346
16687LXAS		187	16772S-SR		318	16820		168	17540		345
16687LXS		187	16772S-SS		318	16820K		168	17541		345
16687V		188	16772S-SSA		318	16820V		168	17549		345
16687VSS		188	16772W		318	16820W		168	17550		345
16687VX		187	16772W-SR		318	16821		169	17560		345
16687VXS		187	16772W-SS		318	16821K		169	17561		345
16688AS		188	16772W-SSA		318	16821V		169	17570		345
16688ASS		188	16773		318	16821W		169	17571		345
16688L		188	16773D		318	16822		168	17629		346
16688LSS		188	16773D-SR		318	16822K		168	17630		346
16688LX		187	16773D-SS		318	16822V		168	17645		346
16688LXA		187	16773D-SSA		318	16822W		168	17646		346
16688LXAS		187	16773S		318	16823		169	17710		346
16688LXS		187	16773-SR		318	16823K		169	17711		346
16688V		188	16773-SS		318	16823V		169	17712		346
16688VSS		188	16773-SSA		318	16823W		169	17713		346
16688VX		187	16773S-SR		318	16825		168	17714		345
16688VXS		187	16773S-SS		318	16825K		168	17715		345
16689AS		190	16773S-SSA		318	16825V		168	17717		346
16689L		190	16773W		318	16825W		168	17718		346
16689V		190	16773W-SR		318	16826		169	17722		345
16690AS		190	16773W-SS		318	16826K		169	17766		345
16690V		190	16773W-SSA		318	16826V		169	17767		345
16690L		190	16777		316	16826W		169	17768		345
16691AS		190	16777D		316	16827		168	17769		345
16691L		190	16777D-SR		316	16827K		168	17782		346
16691V		190	16777D-SS		316	16827V		168	17783		346
16712		175	16777D-SSA		316	16827W		168	17784		346
16713		175	16777S		316	16828		169	17785		346
16714		175	16777-SR		316	16828K		169	18333		152
16770		317	16777-SS		316	16828V		169	18334		154
16770D		317	16777-SSA		316	16828W		169	19001N		8
16770D-SR		317	16777S-SR		316	16921		162-164	19001V		8
16770D-SS		317	16777S-SS		316	16921K		162-164	19001NS		8
16770D-SSA		317	16777S-SSA		316	16921V		162-164	19002N		14
16770S		317	16777W		316	16921W		162-164	19002V		14
16770-SR		317	16777W-SR		316	16922		162-164	19003N		9
16770-SS		317	16777W-SS		316	16922K		162-164	19003NS		9
16770-SSA		317	16777W-SSA		316	16922V		162-164	19003V		9
16770S-SR		317	16778		316	16922W		162-164	19004N		8

Index

LIST OF CODES

Code	Reference	Page	Code	Reference	Page	Code	Reference	Page	Code	Reference	Page
19004V		8	19032ASL	VG-SST-1.00-SD-6M	98	19058L		97	19072BC		17
19005N		8	19032L		98	19059		99	19072C		17
19005V		8	19033		98	19059L		99	19073		17
19005NS		8	19033L		98	19060		99	19073AS		17
19005N-SP		9	19034		98	19060AS	VG-SST-1.60-SD-3M	99	19073ASC		17
19005V-SP		9	19034AS	VG-SST-1.25-SD-3M	98	19060ASL	VG-SST-1.60-SD-6M	99	19073C		17
19006N		15	19034ASL	VG-SST-1.25-SD-6M	98	19060L		99	19075N		14
19006V		15	19034L		98	19061		121	19075V		14
19006NL		15	19035		115	19061B		121	19076N		15
19006VN		15	19035L		115	19062		96	19076V		15
19007N		9	19036		115	19062L		96	19077		35-122
19007V		9	19036L		115	19063		95	19077L		35-122
19007NS		9	19037		123	19063AS		18-116	19078		122
19008N		16	19038		99	19063ASC		18-116	19078L		122
19008V		16	19038L		99	19063B		18-116	19079		35-122-200
19009N		16-65	19039		99	19063BC		18-116	19079L		35-122-200
19009V		16-65	19039AS	VG-SST-1.70-SD-3M	99	19063KAS		19-116	19080N		17-119
19010N		16	19039ASL	VG-SST-1.70-SD-6M	99	19063KASC		19-116	19080NL		17-119
19010V		16	19039L		99	19063KB		19-116	19080V		17-119
19011N		16	19040		101	19063KBC		19-116	19080VL		17-119
19011V		16	19040L		101	19063KN		19-116	19081N		17-119
19012N		16	19041		101	19063KNC		19-116	19081NL		17-119
19012V		16	19041L		101	19063KV		19-116	19081V		17-119
19013N		16	19042		96	19063KVC		19-116	19081VL		17-119
19013V		16	19042L		96	19063L		95	19082		118
19014N		16	19043		96	19063N		18-116	19082B		118
19014V		16	19043L		96	19063NC		18-116	19082BL		118
19014SN		16	19044		123	19063V		18-116	19082L		118
19014SV		16	19044SB		123	19063VC		18-116	19082V		118
19015		77	19045N		14	19063W		95	19082VL		118
19016		77	19045V		14	19063WL		95	19083		115
19017		76	19045NS		14	19064AS		18	19083L		115
19018		76	19046		115	19064ASC		18	19084		115
19019		94	19046L		115	19064B		18	19084L		115
19019L		94	19047		115	19064BC		18	19085N		119
19019V		94	19047L		115	19064KAS		19	19085V		119
19019VL		94	19048		18-116	19064KASC		19	19086N		119
19020		94	19048C		18-116	19064KB		19	19086V		119
19020AS	VG-SSR-SD-3M	94	19048K		19-116	19064KBC		19	19087N		119
19020ASL	VG-SSR-SD-6M	94	19048KC		19-116	19064KN		19	19087V		119
19020L		94	19049		29	19064KNC		19	19088N		119
19021		94	19050		118	19064KV		19	19088V		119
19021L		94	19050A		118	19064KVC		19	19089N		119
19021V		94	19050AL		118	19064N		18	19089V		119
19021VL		94	19050L		118	19064NC		18	19090		120
19022		94	19050V		118	19064V		18	19090V		120
19022L		94	19050VL		118	19064VC		18	19091N		10
19023		94	19051		120	19065		95	19091V		10
19023L		94	19051V		120	19065L		95	19092N		119
19024		94	19052N		119	19066		95	19092NL		119
19024AS	VG-SSM-SD-3M	94	19052NL		119	19066L		95	19092V		119
19024ASL	VG-SSM-SD-6M	94	19052V		119	19067N		16-65	19092VL		119
19024L		94	19052VL		119	19067V		16-65	19093B		16
19025		94	19052NS		119	19067NS		16	19093N		16
19025L		94	19053N		17-119	19068		110	19093V		16
19026		94	19053NL		17-119	19068N		110	19094		109-110-111
19026L		94	19053V		17-119	19068NA		110	19094L		109-110
19027		95	19053VL		17-119	19068P		110	19095		200
19027L		95	19054N		119	19068W		110	19095L		200
19028		95	19054NL		119	19070		17-116-117	19096		200
19028AS	VG-SSF-SD-3M	95	19054V		119	19070B		17-116-117	19096L		200
19028ASL	VG-SSF-SD-6M	95	19054VL		119	19070BC		17-116-117	19097		26-117
19028L		95	19055		121	19070C		17-116-117	19097L		26-117
19029		95	19055B		121	19070NS		17	19098		118
19029L		95	19056		121	19071		17-116-117	19098AS		26-117
19030		95	19056B		121	19071AS		17-116-117	19098ASL		26-117
19030L		95	19057		97	19071ASC		17-116-117	19098B		26-117
19031		98	19057L		97	19071C		17-116-117	19098BL		26-117
19031L		98	19058		97	19071NS		17-116-117	19098L		118
19032		98	19058AS	VG-SST-75-SD-3M	97	19072		17	19098N		26-117
19032AS	VG-SST-1.00-SD-3M	98	19058ASL	VG-SST-75-SD-6M	97	19072B		17	19098NL		26-117

Index

LIST OF CODES

Code	Reference	Page	Code	Reference	Page	Code	Reference	Page	Code	Reference	Page
19098V		26-117	19158		76	19229		80	19301		77
19098VL		26-117	19159		76	19230		80	19302		77
19099		97	19160		76	19231		80	19303		77
19099L		97	19161		76	19232		80	19304		77
19101		82	19162		76	19233		80	19305		77
19102		78	19163		76	19234		80	19306		77
19103		78	19164		76	19235		80	19307		77
19104		78	19165		76	19236		80	19308		77
19105		78	19166		76	19237		80	19309		77
19106		81	19167		76	19238		80	19310		77
19106B		81	19168		76	19239		80	19311		77
19107		81	19169		76	19240		80	19312		77
19107B		81	19170		76	19241		80	19313		77
19108		81	19171		76	19242		80	19313		77
19108B		81	19172		76	19243		80	19314		77
19109		81	19173		76	19244		80	19315		77
19109B		81	19174		76	19245		80	19316		77
19110		82	19175		76	19246		80	19317		77
19111		82	19176		76	19247		80	19318		77
19113		83	19177		76	19248		80	19319		77
19114		83	19178		76	19249		80	19320		77
19115		84	19179		76	19250		80	19321		77
19116		84	19180		76	19251		80	19322		77
19117		84	19181		76	19252		80	19323		77
19118		84	19182		76	19253		80	19324		77
19119AS		26	19183		76	19254		80	19325		77
19119ASL		26	19184		76	19255		80	19326		77
19119B		26	19185		76	19256		80	19327		77
19119BL		26	19186		76	19257		80	19329		77
19119N		26	19187		76	19258		80	19330		77
19119NL		26	19188		76	19259		80	19331		77
19119V		26	19189		78	19260		80	19332		77
19119VL		26	19190		78	19261		80	19333		77
19120		76	19191		78	19262		80	19334		77
19121		76	19192		78	19263		80	19335		77
19122		76	19193		78	19264		80	19336		77
19123		76	19194		78	19265		80	19337		77
19124		76	19195		78	19266		80	19338		77
19125		76	19196		78	19267		80	19339		77
19126		76	19197		78	19268		80	19340		77
19127		76	19198		78	19269		80	19341		77
19128		76	19199		78	19270		80	19342		77
19129		76	19200		78	19271		80	19343		77
19130		76	19201		78	19272		80	19350		85
19131		76	19202		78	19274		77	19351		85
19132		76	19203		78	19275		77	19352		85
19133		76	19204		78	19276		77	19353		86
19134		76	19205		78	19277		77	19354		86
19135		76	19206		78	19278		77	19355		86
19136		76	19207		78	19279		77	19358		86
19137		76	19208		78	19280		77	19359		86
19138		76	19209		78	19281		77	19360		86
19139		76	19210		78	19282		77	19361		86
19140		76	19211		78	19283		77	19362		86
19141		76	19212		78	19284		77	19363		86
19142		76	19213		78	19285		77	19370		85
19143		76	19214		78	19286		77	19371		85-88
19144		76	19215		78	19287		77	19372		85
19145		76	19216		78	19288		77	19373		85-86-88
19146		76	19217		80	19289		77	19374		85
19147		76	19218		80	19290		77	19375		85-86
19148		76	19219		80	19291		77	19381		91
19149		76	19220		80	19292		77	19386		90
19150		76	19221		80	19293		77	19390		83
19151		76	19222		80	19294		77	19391		83
19152		76	19223		80	19295		77	19396		82
19153		76	19224		80	19296		77	19396L		82
19154		76	19225		80	19297		77	19397		82
19155		76	19226		80	19298		77	19397L		82
19156		76	19227		80	19299		77	19400		87
19157		76	19228		80	19300		77	19401		87

Index

LIST OF CODES

Code	Reference	Page	Code	Reference	Page	Code	Reference	Page	Code	Reference	Page
19402		87	19484		76	19931		77	40013		294
19403		87	19485		76	19932		77	40014		294
19404		87	19486		76	19933		77	40015		294
19405		87	19487		76	19934		77	40016		294
19406		87	19488		76	19935		77	40017		294
19410		89	19489		76	19936		77	40018		294
19411		89	19490		76	19937		77	40019		294
19412		90	19491		76	19938		77	40020		294
19420		91	19492		76	19939		77	40021		294
19421		91	19493		76	19940		77	40022		299
19422		92	19494		76	19941		77	40023		299
19423		92	19495		76	19942		77	40024		299
19424		87	19496		76	19943		77	40025		299
19425		87	19497		76	19944		77	40026		299
19426		87	19498		124	19945		77	40027		299
19427		87	19499		124	19946		77	40028		299
19428		88	19500		124	19950		78	40029		299
19429		88	19501		125	19951		78	40030		305
19430		88	19502		125	19952		78	40031		294
19431		88	19503		124	19953		78	40035		299
19433		88	19504		124	19954		78	40036		299
19435		88	19505		125	19955		78	40037		300
19436		88	19506		125	19956		78	40038		300
19437		88	19507		124	19957		78	40039		300
19438		88	19508		125	19958		78	40043		300
19439		88	19509		125	19959		78	40044		300
19440		89	19511		126	19960		78	40045		300
19441		89	19512		126	19961		78	40046		300
19442		89	19513		126	19962		78	40047		300
19445		76	19514		126	19963		78	40048		302
19446		76	19515		126	19964		78	40049		302
19447		76	19516		126	19965		78	40050		304
19448		76	19517		127	19966		78	40051		301
19449		76	19519		127	19967		78	40052		301
19450		104	19520		127	19968		78	40053		301
19451		104	19521		127	19969		78	40054		303
19452		104	19522		127	19970		78	40055		301
19450T		76	19523		127	19971		78	40056		302
19451		104	19896		77	19972		78	40057		303
19451T		76	19897		77	19973		78	40058		300
19452		104	19898		77	19974		78	40059		304
19452T		76	19899		77	19975		78	40060		303
19453		76	19901		77	19976		78	40064		301
19454		76	19902		77	19977		78	40065		301
19455		76	19903		77	19978		78	40066		300
19456		76	19904		77	19979		78	40067		294
19457		76	19905		77	19980		78	40068		294
19458		76	19906		77	19981		78	40069		294
19459		76	19907		77	19982		78	40070		294
19460		105	19908		77	19983		78	40071		301
19460L		105	19909		77	19984		78	40072		301
19460T		76	19910		77	19985		78	40073		301
19465		76	19911		77	19986		78	40075		303
19466		76	19912		77	19987		78	40076		303
19467		76	19914		77	19988		78	40077		304
19468		76	19915		77	19989		78	40078		294
19469		76	19916		77	19990		36	40079		294
19470		76	19917		77	19991		36	40080		294
19471		76	19918		77	19992		36	40081		294
19472		76	19919		77	40001		299	121547		48
19473		76	19920		77	40002		299	121547LN		51
19474		76	19921		77	40003		299	121547RN		49
19475		76	19922		77	40004		299	121548		48
19476		76	19923		77	40005		299	121548LN		51
19477		76	19924		77	40006		299	121548RN		49
19478		76	19925		77	40007		299	121549		48
19479		76	19926		77	40008		299	121549LN		51
19480		76	19927		77	40009		294	121549RN		49
19481		76	19928		77	40010		305	121550		48
19482		76	19929		77	40011		305	121550LN		51
19483		76	19930		77	40012		294	121550RN		49

Index

LIST OF CODES

Code	Reference	Page	Code	Reference	Page	Code	Reference	Page	Code	Reference	Page
121551		48	121960		42	121992RN		55	131045		215
121551LN		51	121960F		42	121993		54	131046		215
121551RN		49	121960RN		43	121993RN		55	131047		215
121552		48	121960RNF		43	121994		54	131048		215
121552LN		51	121963		44	121994RN		55	131049		215
121552RN		49	121963RN		45	122108		40	131050		215
121553		48	121964		44	122109		40	131051		215
121553LN		51	121964RN		45	122110		40	131052		215
121553RNF		49	121965		44	122111N		46	131053		215
121554		48	121965RN		45	122111RN		47	131054		216
121554LN		51	121966		44	122111V		46	131055		216
121554RNF		49	121966RN		45	122112N		46	131056		216
121595		48	121967		44	122112RN		47	131057		216
121595LN		51	121967F		44	122112V		46	131058		216
121595RN		49	121967RN		45	122113N		46	131059		216
121780		42	121967RNF		45	122113RN		47	131060		216
121781		42	121968		44	122113V		46	131061		217
121782		42	121968F		44	122114N		46	131062		217
121783		42	121968RN		45	122114RN		47	131063		217
121784		42	121968RNF		45	122114V		46	131064		217
121784RNF		43	121969		44	122115N		46	131065		217
121785		42	121969F		44	122115RN		47	131066		217
121785RNF		43	121969RN		45	122115V		46	131067		217
121786		196	121969RNF		45	122116N		46	131068		217
121786AS		196	121970		44	122116RN		47	131069		217
121786B		196	121970F		44	122116V		46	131070		217
121786V		196	121970RN		45	122117N		38	131071		217
121786W		196	121970RNF		45	122117V		38	131072		217
121787		42	121971		54	122118N		38	131073		217
121787RN		43	121971RN		55	122118V		38	131074		217
121789		42	121972		54	122119N		38	131075		217
121789RN		43	121972RN		55	122119V		38	131076		217
121790		197	121973		54	122120N		38	131077		217
121790B		197	121973RN		55	122120V		38	131078		217
121790V		197	121974		54	131001		138	131100		229
121790W		197	121974RN		55	131001S		138	131100W		229
121792		197	121975		54	131002		138	131101		229
121792B		197	121975RN		55	131002S		138	131101W		229
121792V		197	121976		54	131003		139	131102		229
121792W		197	121976RN		55	131003S		139	131102W		229
121950		48	121977		54	131004	VG-018M-01	140	131103		229
121950LN		51	121977RN		55	131005	VG-018M-02	140	131103W		229
121950RN		49	121978		54	131006	VG-018M-03	140	131104		229
121951		48	121978RN		55	131007	VG-018M-04	140	131104W		229
121951LN		51	121979		54	131008		274	131105		229
121951RN		49	121979RN		55	131010L		275	131105W		229
121952		48	121980		54	131010P		275	131106		229
121952LN		51	121980RN		55	131011L		275	131106W		229
121952RN		49	121981		54	131011P		275	131107		229
121953		48	121981RN		55	131012L		275	131107W		229
121953LN		51	121982		54	131012P		275	131108		229
121953RN		49	121982RN		55	131013L		275	131108W		229
121954		48	121983		54	131013P		275	131109		229
121954LN		51	121983RN		55	131014L		275	131109W		229
121954RN		49	121984		54	131014P		275	131110		229
121955		48	121984RN		55	131015		214	131110W		229
121955LN		51	121985		54	131030		214	131111		229
121955RN		49	121985RN		55	131031		214	131111W		229
121956		48	121986		54	131032		214	131112		159
121956LN		51	121986RN		55	131033		214	131113		159
121956RNF		49	121987		54	131034		214	131114		159
121957		48	121987RN		55	131035		214	131115		159
121957LN		51	121988		54	131036		215	131116		159
121957RNF		49	121988RN		55	131037		215	131117		159
121958		48	121989		54	131038		215	131118		159
121958LN		51	121989RN		55	131039		215	131119		159
121958RNF		49	121990		54	131040		215	131120		159
121959		42	121990RN		55	131041		215	131121		159
121959F		42	121991		54	131042		215	131122		159
121959RN		43	121991RN		55	131043		215	131123		159
121959RNF		43	121992		54	131044		215	131124		159

Index

LIST OF CODES

Code	Reference	Page	Code	Reference	Page	Code	Reference	Page	Code	Reference	Page
131125		159	190033		79	190111		80	190218L		99
131126		159	190034		79	190112		80	190219		99
131127		159	190035		79	190113		80	190219L		99
131130		157	190036		79	190114		80	190220		100
131131		157	190037		79	190115		80	190220L		100
131132		157	190038		79	190116		80	190221		100
131133		157	190039		79	190117		80	190221AS	VG-SST-2.25-SD-3M	100
131134		157	190040		79	190118		80	190221ASL	VG-SST-2.25-SD-6M	100
131135		158	190041		79	190119		80	190221L		100
131137		157	190042		79	190120		80	190222		100
131138		157	190043		79	190121		80	190222L		100
131139		157	190044		79	190122		80	190223		100
131140		157	190045		79	190123		80	190223L		100
131141		157	190046		79	190124		80	190224		100
131142		157	190047		79	190125		80	190224L		100
131143		157	190048		79	190126		80	190225		100
131144		157	190049		79	190127		80	190225L		100
131145		157	190050		79	190129		80	190226		100
131146		157	190051		79	190130		80	190226L		100
131147		157	190052		79	190131		80	190227		100
131148		157	190053		79	190132		80	190227L		100
131149		157	190054		79	190133		80	190228		100
131150		158	190055		79	190134		80	190228L		100
131151		158	190056		79	190135		80	190229		100
131152		158	190060		80	190136		80	190229L		100
131153		156	190061		80	190137		80	190230		100
131154		156	190062		80	190138		80	190230L		100
131155		156	190063		80	190139		80	190231		100
131160		165	190064		80	190140		80	190231L		100
131161		165	190065		80	190141		80	190232		98
131162		165	190066		80	190142		80	190232L		98
131163		165	190067		80	190143		80	190233		98
131164		165	190068		80	190200		97	190233L		98
131165		165	190069		80	190200L		97	190234		98
131166		165	190070		80	190201		97	190234L		98
131167		165	190071		80	190201L		97	190235		98
131168		165	190072		80	190202		98	190235L		98
131169		165	190073		80	190202L		98	190236		100
131170		104	190074		80	190203		98	190236L		100
190001		79	190075		80	190203L		98	190237		100
190002		79	190076		80	190204		98	190237L		100
190003		79	190077		80	190204L		98	190238		100
190004		79	190078		80	190205		98	190238L		100
190005		79	190079		80	190205L		98	190239		100
190006		79	190080		80	190206		99	190239L		100
190007		79	190081		80	190206L		99	190240N		35
190008		79	190082		80	190207		99	190240NL		35
190009		79	190083		80	190207L		99	190240V		35
190010		79	190085		80	190208		99	190240VL		35
190011		79	190086		80	190208L		99	190241N		35
190012		79	190087		80	190209		99	190241NL		35
190013		79	190089		80	190209L		99	190241V		35
190014		79	190090		80	190210		101	190241VL		35
190015		79	190091		80	190210L		101	190242N		35
190016		79	190092		80	190211		101	190242NL		35
190017		79	190093		80	190211L		101	190242V		35
190018		79	190094		80	190212		97	190242VL		35
190019		79	190095		80	190212L		97	190249		95
190020		79	190097		80	190213		97	190249L		95
190021		79	190098		80	190213AS	VG-SSWF-SD-3M	97	190250		95
190022		79	190099		80	190213ASL	VG-SSWF-SD-6M	97	190250L		95
190023		79	190101		80	190213L		97	190251		95
190024		79	190102		80	190214		97	190251L		95
190025		79	190103		80	190214L		97	190252		95
190026		79	190104		80	190215		97	190252L		95
190027		79	190105		80	190215L		97	190253		96
190028		79	190106		80	190216		99	190253L		96
190029		79	190107		80	190216L		99	190254		96
190030		79	190108		80	190217		99	190254L		96
190031		79	190109		80	190217L		99	190255		96
190032		79	190110		80	190218		99	190255L		96

LIST OF CODES

Code	Reference	Page	Code	Reference	Page	Code	Reference	Page	Code	Reference	Page
190256		96	190390		121	13500058	VG-223N-58-01	234	13500206	VG-245-L-BK	239
190256L		96	190391		121	13500059	VG-223R-12-01	235	13500207	VG-245-M-BK	239
190257		96	190392		121	13500060	VG-223R-14-01	235	13500346	VG-022-01M	132
190257L		96	190393		121	13500061	VG-223R-20-01	235	13500250	VG-031-12-35	130
190258		96	190394		121	13500062	VG-223R-58-01	235	13500251	VG-031-12-50	130
190258L		96	190395		35	13500064	VG-223RN-12-01	235	13500252	VG-031-12-70	130
190259		96	190396		35	13500065	VG-223RN-TOP-12	248	13500253	VG-032-12-35	145
190259L		96	12500001	VG-R3U-185-50-G	50	13500066	VG-223RN-TOP-14	248	13500254	VG-032-12-50	145
190260		96	12500002	VG-R3U-185-60-G	50	13500067	VG-223RN-TOP-20	248	13500255	VG-1568M-01	34
190260L		96	13500003	VG-R3U-205-50-G	50	13500068	VG-223RN-TOP-58	248	13500255	VG-1568M-01	174
190261		96	12500004	VG-R3U-205-60-G	50	13500069	VG-223R-TOP-12	248	13500256	VG-1568M-02	34
190261L		96	12500005	VG-RF3U-185-50-G	50	13500070	VG-223R-TOP-14	248	13500256	VG-1568M-02	174
190262		97	12500006	VG-RF3U-185-60-G	50	13500071	VG-223R-TOP-20	248	13500257	VG-1568M-03	34
190262L		97	12500007	VG-RF3U-205-50-G	50	13500072	VG-223R-TOP-58	248	13500257	VG-1568M-03	174
190263		97	12500008	VG-RF3U-205-60-G	50	13500073	VG-213RN-TOP-14	248	13500258	VG-1568M-04	34
190263L		97	13500001	VG-213-12-01	231	13500074	VG-213R-TOP-20	248	13500258	VG-1568M-04	174
190264		97	13500002	VG-213-12-02	233	13500080	VG-223F-12-01	235	13500259	VG-222JQ-M10	160
190264L		97	13500003	VG-213-14-01	231	13500081	VG-223F-14-01	235	13500260	VG-222JQ-M8	160
190265	35-122-200		13500004	VG-213-20-01	231	13500082	VG-223F-58-01	235	13500261	VG-222JQ-M8M-M10F	160
190265L	35-122-200		13500005	VG-213-58-01	231	13500083	VG-223F-20-01	235	13500262	VG-245-WSH-S	240
190300		105	13500006	VG-213-58-02	233	13500084	VG-223FN-12-01	235	13500263	VG-203Q-03-10-M10	244
190301		105	13500007	VG-213N-12-01	231	13500085	VG-223FN-14-01	235	13500264	VG-203Q-03-15-M8	244
190302		105	13500008	VG-213N-14-01	231	13500086	VG-223FN-58-01	235	13500265	VG-203Q-05-15-M10	244
190303		105	13500009	VG-213N-20-01	231	13500087	VG-223FN-20-01	235	13500266	VG-203Q-05-25-M10	244
190304		105	13500010	VG-213N-58-01	231	13500092	VG-PMI-25	103	13500267	VG-203Q-05-25-M8	244
190305		105	13500011	VG-213R-12-01	233	13500093	VG-PMI-30	103	13500269	VG-213Q-03-10-M8	245
190306		105	13500012	VG-213R-58-01	233	13500100	VG-253K-S-12	237	13500270	VG-221Q-03-10-M10	244
190307		105	13500014	VG-213RN-TOP-12	248	13500101	VG-253K-S-58	237	13500271	VG-221Q-03-10-M8	244
190308		105	13500015	VG-213RN-TOP-20	248	13500102	VG-253MB-S-12	237	13500272	VG-221Q-05-25-M10	244
190309		105	13500016	VG-213RN-TOP-58	248	13500103	VG-253MB-S-58	237	13500273	VG-221Q-05-25-M8	244
190310		105	13500017	VG-213R-TOP-12	248	13500104	VG-254K-S-12	236	13500274	VG-Q-03-10-M10	243
190311		105	13500018	VG-213R-TOP-14	248	13500105	VG-254-MB-S-12	236	13500275	VG-Q-03-10-M8	243
190312		105	13500019	VG-213R-TOP-58	248	13500106	VG-620-12-12M	276	13500276	VG-Q-03-15-M10	243
190313		105	13500020	VG-213T-12-01	232	13500107	VG-620-12-16M	276	13500277	VG-Q-03-15-M8	243
190314		105	13500021	VG-213T-20-01	232	13500108	VG-620-14-14M	276	13500278	VG-Q-05-10-M10	243
190315		105	13500022	VG-213T-58-01	232	13500109	VG-620-15-15M	276	13500279	VG-Q-05-10-M8	243
190316		105	13500023	VG-213TN-12-01	232	13500110	VG-620-16-16M	276	13500280	VG-Q-05-15-M10	243
190317		105	13500024	VG-213TN-58-01	232	13500111	VG-620-18-18M	276	13500281	VG-Q-05-15-M8	243
190318		105	13500025	VG-213T-14-01	232	13500114	VG-619-10M	277	13500282	VG-Q-05-25-M10	243
190319		105	13500026	VG-213TN-14-01	232	13500115	VG-619-12M	277	13500283	VG-Q-05-25-M8	243
190320		105	13500027	VG-213TN-20-01	232	13500116	VG-619-14M	277	13500284	VG-QPC-25M	242
190321		105	13500028	VG-213R-14-01	233	13500150	VG-641-K-12	247	13500285	VG-QPC-40M	242
190322		105	13500029	VG-213R-20-01	233	13500151	VG-641-K-14	247	13500286	VG-QPC-450M	242
190323		105	13500030	VG-213-14-02	233	13500152	VG-641-K-20	247	13500287	VG-QPC-65M	242
190324		105	13500031	VG-213-20-02	233	13500153	VG-641-K-58	247	13500288	VG-QSB-25M	242
190325		105	13500032	VG-213RN-12-01	233	13500154	VG-641-N-12	247	13500289	VG-QSB-40M	242
190326		105	13500033	VG-213RN-14-01	233	13500155	VG-641-N-14	247	13500290	VG-QSB-450M	242
190327		105	13500034	VG-213RN-58-01	233	13500156	VG-641-N-20	247	13500291	VG-QSB-65M	242
190328		105	13500035	VG-213RN-20-01	233	13500157	VG-641-N-58	247	13500292	VG-QSC-10M	242
190329		105	13500036	VG-213N-12-02	233	13500158	VG-641-R-12	247	13500293	VG-QSC-12M	242
190330		105	13500037	VG-213N-14-02	233	13500159	VG-641-R-14	247	13500294	VG-QSC-16M	242
190331		105	13500038	VG-213N-58-02	233	13500160	VG-641-R-20	247	13500295	VG-QSC-20M	242
190332		105	13500039	VG-213N-20-02	233	13500161	VG-641-R-58	247	13500296	VG-QSC-25M	242
190333		105	13500040	VG-223-20-01	234	13500162	VG-641T-K-12	246	13500297	VG-QSC-30M	242
190334		105	13500041	VG-223N-14-01	234	13500163	VG-641T-K-14	246	13500298	VG-QSC-40M	242
190335		105	13500042	VG-223N-20-01	234	13500164	VG-641T-K-20	246	13500299	VG-QT-01	242
190336		105	13500043	VG-223RN-14-01	235	13500165	VG-641T-K-58	246	13500300	VG-203Q-03-10-M8	244
190337		105	13500044	VG-223RN-58-01	235	13500166	VG-641T-N-12	246	13500301	VG-203Q-05-10-M10	244
190338		105	13500045	VG-223RN-20-01	235	13500167	VG-641T-N-14	246	13500302	VG-203Q-05-10-M8	244
190360		110	13500046	VG-223N-12-02	234	13500168	VG-641T-N-20	246	13500303	VG-203Q-03-15-M10	244
190360L		110	13500047	VG-223N-14-02	234	13500169	VG-641T-N-58	246	13500304	VG-203Q-05-15-M8	244
190360NA		110	13500048	VG-223N-58-02	234	13500170	VG-641T-R-12	246	13500305	VG-213Q-03-10-M10	245
190360NAL		110	13500049	VG-223N-20-02	234	13500171	VG-641T-R-14	246	13500306	VG-213Q-05-10-M10	245
190360NL		110	13500050	VG-223-12-01	234	13500172	VG-641T-R-20	246	13500307	VG-213Q-05-10-M8	245
190360P		110	13500051	VG-223-12-02	234	13500173	VG-641T-R-58	246	13500308	VG-213Q-03-15-M10	245
190360PL		110	13500052	VG-223-14-01	234	13500200	VG-245-H-BK	238	13500309	VG-213Q-03-15-M8	245
190360W		110	13500053	VG-223-14-02	234	13500201	VG-245-HDW-03-M8	240	13500310	VG-213Q-05-15-M10	245
190360WL		110	13500054	VG-223-20-02	234	13500202	VG-245-HDW-02-M8	240	13500311	VG-213Q-05-15-M8	245
190365		111	13500055	VG-223-58-01	234	13500203	VG-245-H-GR	238	13500312	VG-213Q-05-25-M10	245
190366		111	13500056	VG-223-58-02	234	13500204	VG-245-J-BK	238	13500313	VG-213Q-05-25-M8	245
			13500057	VG-223N-12-01	234	13500205	VG-245-K-BK	239	13500314	VG-213TQ-03-10-M10	245

Index

LIST OF CODES

Code	Reference	Page	Code	Reference	Page	Code	Reference	Page	Code	Reference	Page
13500315	VG-213TQ-03-10-M8	245	14500072	VG-625-45-3506	281	16500300	VG-687FLEX-37-3M	173	19500043NSR-75M	VG-NG81-SR-75M	107
13500316	VG-213TQ-05-10-M10	245	14500073	VG-625-30-3510	281	16500301	VG-688FLEX-37-3M	173	19500044NSR	VG-NG125-SR-1M28	107
13500317	VG-213TQ-05-10-M8	245	14500074	VG-625-30-5010	281	16500302-15	VG-687BSC-15	174	19500050-3M	VG-P116HD-3M	30
13500318	VG-213TQ-03-15-M10	245	14500075	VG-625-45-5010	281	16500302-25	VG-687BSC-25	174	19500050-6M	VG-P116HD-6M	30
13500319	VG-213TQ-03-15-M8	245	14500076	VG-625-30-3513	281	16500302-50	VG-687BSC-50	174	19500052-150M	VG-P14BC-150M	32
13500320	VG-213TQ-05-15-M10	245	14500077	VG-625-30-5013	281	19500001-30M	VF-CR-38100-30M	66	19500052-30M	VG-P14BC-30M	32
13500321	VG-213TQ-05-15-M8	245	14500078	VG-625-45-3513	281	19500002-30M	VF-CR-3834-30M	66	19500054-3M	VG-P14HD-3M	33
13500322	VG-213TQ-05-25-M10	245	14500079	VG-625-45-5013	281	19500003-3M	VF-CRP-3M-14M	68	19500054-6M	VG-P14HD-6M	33
13500323	VG-213TQ-05-25-M8	245	14500080	VG-625-30-3516	281	19500004-3M	VF-CRP-3M-16M	68	19500055-30M	VG-P14SBC-30M	32
13500324	VG-210Q-03-10-M10	244	14500081	VG-625-30-5016	281	19500005-3M	VF-CRP-3M-18M	68	19500056-30M	VG-P18BC-30M	30
13500325	VG-210Q-03-10-M8	244	14500082	VG-625-45-3516	281	19500008-3M	VG-SPM-3M	102	19500056NS-30M	VG-P18BC-NS-30M	30
13500326	VG-210Q-05-10-M10	244	14500083	VG-625-45-5016	281	19500008-6M	VG-SPM-6M	102	19500058-30M	VG-P18CC-30M	10
13500327	VG-210Q-05-10-M8	244	14500084	VG-625-30-3519	281	19500009-3M	VG-ABG-3M	108	19500058-3M	VG-P18CC-3M	10
13500328	VG-210Q-03-15-M10	244	14500085	VG-625-45-3519	281	19500009-6M	VG-ABG-6M	108	19500058-6M	VG-P18CC-6M	10
13500329	VG-210Q-05-15-M8	244	14500086	VG-750-10	13	19500011-30M	VG-J100-125T-30M	11	19500062-3M	VG-P18HD-3M	31
13500330	VG-210Q-05-15-M10	244	14500087	VG-750-20	13	19500012-30M	VG-J100-188-30M	11	19500062-6M	VG-P18HD-6M	31
13500331	VG-210Q-05-15-M8	244	14500088	VG-750-30	13	19500014-3M	VG-JEL-078-125-3M	13	19500066-30M	VG-P316BC-30M	31
13500332	VG-210Q-05-25-M10	244	14500089	VF-CRCP-12M	67	19500014-6M	VG-JEL-078-125-6M	13	19500066-3M	VG-P316BC-3M	31
13500333	VG-210Q-05-25-M8	244	14500092	VG-3075Q-T40-M	331	19500015-30M	VG-JS100-125-30M	10	19500066-6M	VG-P316BC-6M	31
13500334	VG-221Q-05-10-M10	244	16500001	VG-686A-30-2M	178	19500015-3M	VG-JS100-125-3M	10	19500067-3M	VG-P316HD-3M	31
13500335	VG-221Q-05-10-M8	244	16500002	VG-686A-30-3M	178	19500015-6M	VG-JS100-125-6M	10	19500067-6M	VG-P316HD-6M	31
13500336	VG-221Q-03-15-M10	244	16500004	VG-686A-76-2M	178	19500016-30M	VG-JSL075-125-30M	12	19500068-30M	VG-P38BC-30M	33
13500337	VG-221Q-03-15-M8	244	16500005	VG-686A-76-3M	178	19500016-6M	VG-JSL075-125-6M	12	19500068-75M	VG-P38BC-75M	33
13500338	VG-221Q-05-15-M10	244	16500006	VG-686MSP-30	178	19500016-6M	VG-JSL075-125-6M	12	19500068NS-75M	VG-P38BC-NS-75M	33
13500339	VG-221Q-05-15-M8	244	16500007	VG-686MSP-76	178	19500016NS-30M	VG-JSL075-125-NS-30M	12	19500069-3M	VG-P38HD-3M	33
13500340	VG-245-J-GR	238	16500020		322	19500017-30M	VG-JSL075-188-30M	13	19500069-6M	VG-P38HD-6M	33
13500341	VG-245-K-GR	239	16500020-SR		322	19500018-30M	VG-JS100-188-30M	11	19500071-30M	VG-P516BC-30M	33
13500342	VG-245-L-GR	239	16500020-SS		322	19500018-3M	VG-JS100-188-3M	11	19500071-6M	VG-P516BC-6M	33
13500343	VG-245-M-GR	239	16500020-SSA		322	19500018-6M	VG-JS100-188-6M	11	19500071-NS-30M	VG-P516BC-NS-30M	33
13500346	VG-022-01M	142	16500021		323	19500020-30M	VG-JS150-125-30M	11	19500073-30M	VG-P7GABC-30M	31
13500392	VG-113SM-08G	139	16500021-SR		323	19500020-3M	VG-JS150-125-3M	11	19500073-3M	VG-P7GABC-3M	31
13500500	VG-011-01-P-M10	135	16500021-SS		323	19500020-6M	VG-JS150-125-6M	11	19500073-6M	VG-P7GABC-6M	31
13500502	VG-011-01-P222-100	135	16500021-SSA		323	19500021-3M	VG-JS150-188-3M	12	19500073NS-3M	VG-P7GABC-NS-3M	31
13500503	VG-011-01-P242-100	135	16500022		324	19500021-6M	VG-JS150-188-6M	12	19500073NS-6M	VG-P7GABC-NS-6M	31
13500505	VG-011-01-P224-100	135	16500022-SR		324	19500022-3M	VG-P824F-3M	113	19500076-3M	VG-P7GAHD-3M	32
14500001	VF-CRA-M	67	16500022-SS		324	19500022-6M	VG-P824F-6M	113	19500076-6M	VG-P7GAHD-6M	32
14500002	VF-CRC-14M	67	16500022-SSA		324	19500023-3M	VG-JS200-125-3M	12	19500076NS-6M	VG-P7GAHD-NS-6M	32
14500003	VF-CRC-16M	67	16500023		322	19500023-6M	VG-JS200-125-6M	12	19500077-3M	VG-PMBG-50-NS-3M	34
14500004	VF-CRC-18M	67	16500023-SR		322	19500024-3M	VG-JS200-188-3M	12	19500078NS-30M	VG-P7GABC-NS-30M	109
14500005	VF-CRCP-14M	67	16500023-SS		322	19500024-6M	VG-JS200-188-6M	12	19500078NSD-30M	VG-PBG5-NSD-30M	109
14500006	VF-CRCP-16M	67	16500023-SSA		322	19500025-30M	VG-P813-30M	112	19500079NS-30M	VG-PBG7-NS-30M	108
14500007	VF-CRCP-18M	67	16500024		323	19500025-6M	VG-P813-6M	112	19500079NSD-30M	VG-PBG7-NSD-30M	108
14500008	VF-CRC-T	67	16500024-SR		323	19500025-6M	VG-P813-6M	112	19500080-3M	VG-PSBG-50-3M	34
14500009	VF-CRS-100-14M	68	16500024-SS		323	19500026-30M	VG-P813F-30M	112	19500081-75M	VG-PM10BC-75M	33
14500010	VF-CRS-100-16M	68	16500024-SSA		323	19500026-6M	VG-P813F-6M	112	19500082-30M	VG-PM4BC-30M	31
14500011	VF-CRS-100-18M	68	16500025		324	19500026-6M	VG-P813F-6M	112	19500082-75M	VG-PM4BC-75M	31
14500012	VF-CRS-34-14M	68	16500025-SR		324	19500027-3M	VG-P822F-3M	113	19500083-3M	VG-PBWS-125-3M	34
14500013	VF-CRS-34-16M	68	16500025-SS		324	19500027-6M	VG-P822F-6M	113	19500087-3M	VG-SBG-50-3M	34
14500014	VF-CRS-34-18M	68	16500025-SSA		324	19500028-3M	VG-P834F-3M	113	19500093	VG-PMI-25	103
14500050	VG-625-30-3506	281	16500050	VG-687-37-2M	179	19500028-6M	VG-P834F-6M	113	19500108-3M	VG-BWS-125-3M	34
14500051	VG-625-45-3510	281	16500051	VG-687-37-3M	179	19500029-30M	VG-JS3-075-125-30M	10	19500115HT-3M	VG-SSF-HT-3M	95
14500052	VG-625-30-5019	281	16500052	VG-687-83-2M	179	19500031-3M	VG-P820F-3M	113	19500115NS-3M	VG-SSF-NS-3M	95
14500053	VG-625-45-5006	281	16500053	VG-687-83-3M	179	19500031-6M	VG-P820F-6M	113	19500115NS-6M	VG-SSF-NS-6M	95
14500054	VG-625-45-5019	281	16500100	VG-687H-37-2M	176	19500032-3M	VG-P0808-3M	112	19500116-3M	VG-SSF5-3M	95
14500055	VG-627-30-12	282	16500101	VG-687H-37-3M	176	19500033-3M	VG-P611-3M	112	19500116-6M	VG-SSF5-6M	95
14500056	VG-627-45-12	282	16500102	VG-687H-83-M2	176	19500034-3M	VG-P816F-3M	113	19500123NS-3M	VG-SSLT-1.0X38-NS-3M	100
14500057	VG-627-80-12	282	16500103	VG-687H-83-M3	176	19500034-6M	VG-P816F-6M	113	19500123NS-6M	VG-SSLT-1.0X38-NS-6M	100
14500058	VG-627S-34	282	16500150	VG-687LDB-M8	174	19500035-3M	VG-MBG-50-NS-3M	34	19500129NS-3M	VG-SSM-NS-3M	94
14500059	VG-628-35-12-12	281	16500151	VG-687MNP-37	179-180	19500036NS-30M	VG-P105R-30M	30-106	19500129NS-6M	VG-SSM-NS-6M	94
14500060	VG-628-35-12-14	281	16500152	VG-687MNP-83	179-180	19500036NS-75M	VG-P105R-75M	30-106	19500130-3M	VG-SSMS-3M	94
14500061	VG-628-35-12-34	281	16500153	VG-687MSP-37	176-177-179	19500036NSR-30M	VG-P105RCL-30M	30-106	19500130-6M	VG-SSMS-6M	94
14500062	VG-628-35-12-38	281	16500154	VG-687MSP-83	176-177	19500036NSR-75M	VG-P105RCL-75M	30-106	19500138-3M	VG-SSMT-3M	96
14500063	VG-628-35-12-58	281	16500155	VG-687SP	174	19500037NSR-30M	VG-NG125-SR-30M	107	19500138-6M	VG-SSMT-6M	96
14500064	VG-628-50-12-12	281	16500200	VG-688H-37-2M	180	19500038NSR-30M	VG-NG91-SR-30M	107	19500138-SD-3M	VG-SSMT-SD-3M	96
14500065	VG-628-50-12-14	281	16500201	VG-688H-37-3M	180	19500039NSR-30M	VG-NG110-SR-30M	107	19500138-SD-6M	VG-SSMT-SD-6M	96
14500066	VG-628-50-12-34	281	16500202	VG-688H-83-2M	180	19500040NSR-30M	VG-NG47-SR-30M	106	19500146-3M	VG-SSRS-3M	94
14500067	VG-628-50-12-38	281	16500203	VG-688H-83-3M	180	19500040NSR-75M	VG-NG47-SR-75M	106	19500146-6M	VG-SSRS-6M	94
14500068	VG-628-50-12-58	281	16500250	VG-688H-37-2M	177	19500041NSR-30M	VG-NG49-SR-75M	106	19500145NS-3M	VG-SSR-NS-3M	94
14500069	VG-629-12-12	282	16500251	VG-688H-83-2M	177	19500041NSR-75M	VG-NG49-SR-30M	106	19500145NS-6M	VG-SSR-NS-6M	94
14500070	VG-629R-12-12	282	16500252	VG-688H-83-2M	177	19500042NSR-30M	VG-NG50-SR-30M	106	19500153N-3M	VG-SST-N-75-3M	97
14500071	VG-625-30-5006	281	16500253	VG-688H-83-3M	177	19500042NSR-75M	VG-NG50-SR-75M	106	19500154N-3M	VG-SST-N-1.00-3M	98

Index

LIST OF CODES

Code	Reference	Page	Code	Reference	Page	Code	Reference	Page	Code	Reference	Page
19S00164HT-3M	VG-SST-HT-1.25-3M	98	VF-CR-38100-30M	19S00001-30M	66	VG-213-20-01	13S00004	231	VG-223-14-01	13S00052	234
19S00164N-3M	VG-SST-N-1.25-3M	98	VF-CR-3834-30M	19S00002-30M	66	VG-213-20-02	13S00031	233	VG-223-14-02	13S00053	234
19S00164NS-3M	VG-SST-1.25-NS-3M	98	VF-CRA-M	14S00001	67	VG-213-58-01	13S00005	231	VG-223-20-01	13S00040	234
19S00164NS-6M	VG-SST-1.25-NS-6M	98	VF-CRC-14M	14S00002	67	VG-213-58-02	13S00006	233	VG-223-20-02	13S00054	234
19S00165-3M	VG-SSTS-1.25-3M	98	VF-CRC-16M	14S00003	67	VG-213N-12-01	13S00007	231	VG-223-58-01	13S00055	234
19S00165-6M	VG-SSTS-1.25-6M	98	VF-CRC-18M	14S00004	67	VG-213N-12-02	13S00036	233	VG-223-58-02	13S00056	234
19S00166N-3M	VG-SST-N-1.60-3M	99	VF-CRCP-12M	14S00005	67	VG-213N-14-01	13S00008	231	VG-223F-12-01	13S00080	235
19S00166NS-3M	VG-SST-1.60-NS-3M	99	VF-CRCP-12M	14S00006	67	VG-213N-14-02	13S00037	233	VG-223F-14-01	13S00081	235
19S00166NS-6M	VG-SST-1.60-NS-6M	99	VF-CRCP-12M	14S00007	67	VG-213N-20-01	13S00009	231	VG-223F-20-01	13S00083	235
19S00167NS-3M	VG-SST-2.25-NS-3M	100	VF-CRCP-12M	14S00089	67	VG-213N-20-02	13S00039	233	VG-223F-58-01	13S00082	235
19S00167NS-6M	VG-SST-2.25-NS-6M	100	VF-CRC-T	14S00008	67	VG-213N-58-01	13S00010	231	VG-223FN-12-01	13S00084	235
19S00174-3M	VG-SSWFS-3M	97	VF-CRP-3M-14M	19S00003-3M	68	VG-213N-58-02	13S00038	233	VG-223FN-14-01	13S00085	235
19S00174-6M	VG-SSWFS-6M	97	VF-CRP-3M-16M	19S00004-3M	68	VG-213Q-03-10-M10	13S00305	245	VG-223FN-20-01	13S00087	235
19S00175-3M	VG-SSWFS-1.25-3M	98	VF-CRP-3M-18M	19S00005-3M	68	VG-213Q-03-10-M8	13S00269	245	VG-223FN-58-01	13S00086	235
19S00175-6M	VG-SSWFS-1.25-6M	98	VF-CRS-100-14M	14S00009	68	VG-213Q-03-15-M10	13S00308	245	VG-223N-12-01	13S00057	234
19S00181-3M	VG-SSTG-02-3M	101	VF-CRS-100-16M	14S00010	68	VG-213Q-03-15-M8	13S00309	245	VG-223N-12-02	13S00046	234
19S00181-6M	VG-SSTG-02-6M	101	VF-CRS-100-18M	14S00011	68	VG-213Q-05-10-M10	13S00306	245	VG-223N-14-01	13S00041	234
19S00181-B-3M	VG-SSTG-02-B-3M	101	VF-CRS-34-14M	14S00012	68	VG-213Q-05-10-M8	13S00307	245	VG-223N-14-02	13S00047	234
19S00181-B-6M	VG-SSTG-02-B-6M	101	VF-CRS-34-16M	14S00013	68	VG-213Q-05-15-M10	13S00310	245	VG-223N-20-01	13S00042	234
19S00182NS-3M	VG-SSUT-1.00-S-3M	101	VF-CRS-34-18M	14S00014	68	VG-213Q-05-15-M8	13S00311	245	VG-223N-20-02	13S00049	234
19S00183NS-6M	VG-SSUT-1.30-S-6M	101	VG-011-01-P222-100	13S00502	135	VG-213Q-05-25-M10	13S00312	245	VG-223N-58-01	13S00058	234
19S00187NS-3M	VG-SSWF-NS-3M	97	VG-011-01-P224-100	13S00505	135	VG-213Q-05-25-M8	13S00313	245	VG-223N-58-02	13S00048	234
19S00187NS-6M	VG-SSWF-NS-6M	97	VG-011-01-P242-100	13S00503	135	VG-213R-12-01	13S00011	233	VG-223R-12-01	13S00059	235
19S00209-3M	VG-344-3M	114	VG-011-01-P-M10	13S00500	135	VG-213R-14-01	13S00028	233	VG-223R-14-01	13S00060	235
19S00209-6M	VG-344-6M	114	VG-012-01	13014	138	VG-213R-20-01	13S00029	233	VG-223R-20-01	13S00061	235
19S00210-3M	VG-219-3M	112	VG-012-SH	130145	138	VG-213R-58-01	13S00012	233	VG-223R-58-01	13S00062	235
19S00210-6M	VG-219-6M	112	VG-012-03	13014L	138	VG-213RN-12-01	13S00032	233	VG-223RN-12-01	13S00064	235
19S00211-3M	VG-A2520-3M	114	VG-012-03-SH	130145L	138	VG-213RN-14-01	13S00033	233	VG-223RN-14-01	13S00043	235
19S00211-6M	VG-A2520-6M	114	VG-018M-01	131004	140	VG-213RN-20-01	13S00035	233	VG-223RN-20-01	13S00045	235
19S00212-3M	VG-A600A-3M	112	VG-018M-02	131005	140	VG-213RN-58-01	13S00034	233	VG-223RN-58-01	13S00044	235
19S00212-6M	VG-A600A-6M	112	VG-018M-03	131006	140	VG-213RN-TOP-12	13S00014	248	VG-223RN-TOP-12	13S00065	248
19S00216-3M	VG-A600-3M	112	VG-018M-04	131007	140	VG-213RN-TOP-14	13S00073	248	VG-223RN-TOP-14	13S00066	248
19S00216-6M	VG-A600-6M	112	VG-022-01M	13S00346	132	VG-213RN-TOP-20	13S00015	248	VG-223RN-TOP-20	13S00067	248
19S00224-3M	VG-P350-3M	114	VG-031-12-35	13S00250	130	VG-213RN-TOP-58	13S00016	248	VG-223RN-TOP-58	13S00068	248
19S00224-6M	VG-P350-6M	114	VG-031-12-50	13S00251	130	VG-213R-TOP-12	13S00017	248	VG-223R-TOP-12	13S00069	248
19S00226-3M	VG-P2520BC-3M	114	VG-031-12-70	13S00252	130	VG-213R-TOP-14	13S00018	248	VG-223R-TOP-14	13S00070	248
19S00226-6M	VG-P2520BC-6M	114	VG-032-12-35	13S00253	145	VG-213R-TOP-20	13S00074	248	VG-223R-TOP-20	13S00071	248
			VG-032-12-50	13S00254	145	VG-213R-TOP-58	13S00019	248	VG-223R-TOP-58	13S00072	248
			VG-1135M-08G	13S00392	139	VG-213T-12-01	13S00020	232	VG-245-H-BK	13S00200	238
			VG-1568M-01	13S00255	34	VG-213T-14-01	13S00025	232	VG-245-HDW-03-M8	13S00201	240
			VG-1568M-02	13S00256	34	VG-213T-20-01	13S00021	232	VG-245-HDW-02-M8	13S00202	240
			VG-1568M-03	13S00257	34	VG-213T-58-01	13S00022	232	VG-245-H-GR	13S00203	238
			VG-1568M-04	13S00258	34	VG-213TN-12-01	13S00023	232	VG-245-J-BK	13S00204	238
			VG-1568M-01	13S00255	174	VG-213TN-14-01	13S00026	232	VG-245-J-GR	13S00340	238
			VG-1568M-02	13S00256	174	VG-213TN-20-01	13S00027	232	VG-245-K-BK	13S00205	239
			VG-1568M-03	13S00257	174	VG-213TN-58-01	13S00024	232	VG-245-K-GR	13S00341	239
			VG-1586M-04	13S00258	174	VG-213TQ-03-10-M10	13S00314	245	VG-245-L-BK	13S00206	239
			VG-203Q-03-10-M10	13S00263	244	VG-213TQ-03-10-M8	13S00315	245	VG-245-L-GR	13S00342	239
			VG-203Q-03-10-M8	13S00300	244	VG-213TQ-03-15-M10	13S00318	245	VG-245-M-BK	13S00207	239
			VG-203Q-03-15-M10	13S00303	244	VG-213TQ-03-15-M8	13S00319	245	VG-245-M-GR	13S00343	239
			VG-203Q-03-15-M8	13S00264	244	VG-213TQ-05-10-M10	13S00316	245	VG-245-WSH-5	13S00262	240
			VG-203Q-05-10-M10	13S00301	244	VG-213TQ-05-10-M8	13S00317	245	VG-253K-S-12	13S00100	237
			VG-203Q-05-10-M8	13S00302	244	VG-213TQ-05-15-M10	13S00320	245	VG-253K-S-58	13S00101	237
			VG-203Q-05-15-M10	13S00265	244	VG-213TQ-05-15-M8	13S00321	245	VG-253MB-S-12	13S00102	237
			VG-203Q-05-15-M8	13S00304	244	VG-213TQ-05-25-M10	13S00322	245	VG-253MB-S-58	13S00103	237
			VG-203Q-05-25-M10	13S00266	244	VG-213TQ-05-25-M8	13S00323	245	VG-254K-S-12	13S00104	236
			VG-203Q-05-25-M8	13S00267	244	VG-221Q-03-10-M10	13S00270	244	VG-254-MB-S-12	13S00105	236
			VG-210Q-03-10-M10	13S00324	244	VG-221Q-03-10-M8	13S00271	244	VG-614-K-12	13S00150	247
			VG-210Q-03-10-M8	13S00325	244	VG-221Q-03-15-M10	13S00336	244	VG-614-K-14	13S00151	247
			VG-210Q-03-15-M10	13S00328	244	VG-221Q-03-15-M8	13S00337	244	VG-614-K-20	13S00152	247
			VG-210Q-03-15-M8	13S00329	244	VG-221Q-05-10-M10	13S00334	244	VG-614-K-58	13S00153	247
			VG-210Q-05-10-M10	13S00326	244	VG-221Q-05-10-M8	13S00335	244	VG-614-N-12	13S00154	247
			VG-210Q-05-10-M8	13S00327	244	VG-221Q-05-15-M10	13S00338	244	VG-614-N-14	13S00155	247
			VG-210Q-05-15-M10	13S00330	244	VG-221Q-05-15-M8	13S00339	244	VG-614-N-20	13S00156	247
			VG-210Q-05-15-M8	13S00331	244	VG-221Q-05-25-M10	13S00272	244	VG-614-N-58	13S00157	247
			VG-210Q-05-25-M10	13S00332	244	VG-221Q-05-25-M8	13S00273	244	VG-614-R-12	13S00158	247
			VG-210Q-05-25-M8	13S00333	244	VG-222JQ-M10	13S00259	160	VG-614-R-14	13S00159	247
			VG-213-12-01	13S00001	231	VG-222JQ-M8	13S00260	160	VG-614-R-20	13S00160	247
			VG-213-12-02	13S00002	233	VG-222JQ-M8M-M10F	13S00261	160	VG-614-R-58	13S00161	247
			VG-213-14-01	13S00003	231	VG-223-12-01	13S00050	234	VG-614T-K-12	13S00162	246
			VG-213-14-02	13S00030	233	VG-223-12-02	13S00051	234	VG-614T-K-14	13S00163	246

Index

LIST OF CODES

Code	Reference	Page	Code	Reference	Page	Code	Reference	Page	Code	Reference	Page
VG-614T-K-20	13S00164	246	VG-687H-83-M3	16S00103	176	VG-P0808-3M	19S00032-3M	112	VG-PMI-30	19S00093	103
VG-614T-K-58	13S00165	246	VG-687LDB-M8	16S00150	174	VG-P105R-30M	19S00036NS-30M	30-106	VG-PSBG-50-3M	19S00080-3M	34
VG-614T-N-12	13S00166	246	VG-687MNP-37	16S00151	179-180	VG-P105R-75M	19S00036NS-75M	30-106	VG-Q-03-10-M10	13S00274	243
VG-614T-N-14	13S00167	246	VG-687MNP-83	16S00152	179-180	VG-P105RCL-30M	19S00036NSR-30M	30-106	VG-Q-03-10-M8	13S00275	243
VG-614T-N-20	13S00168	246	VG-687MSP-37	16S00153	176-177-179	VG-P105RCL-75M	19S00036NSR-75M	30-106	VG-Q-03-15-M10	13S00276	243
VG-614T-N-58	13S00169	246	VG-687MSP-83	16S00154	176-177	VG-P116HD-3M	19S00050-3M	30	VG-Q-03-15-M8	13S00277	243
VG-614T-R-12	13S00170	246	VG-687SP	16S00155	174	VG-P116HD-6M	19S00050-6M	30	VG-Q-05-10-M10	13S00278	243
VG-614T-R-14	13S00171	246	VG-688-37-2M	16S00200	180	VG-P14BC-150M	19S00052-150M	32	VG-Q-05-10-M8	13S00279	243
VG-614T-R-20	13S00172	246	VG-688-37-3M	16S00201	180	VG-P14BC-30M	19S00052-30M	32	VG-Q-05-15-M10	13S00280	243
VG-614T-R-58	13S00173	246	VG-688-83-2M	16S00202	180	VG-P14HD-3M	19S00054-3M	33	VG-Q-05-15-M8	13S00281	243
VG-619-10M	13S00114	277	VG-688-83-3M	16S00203	180	VG-P14HD-6M	19S00054-6M	33	VG-Q-05-25-M10	13S00282	243
VG-619-12M	13S00115	277	VG-688FLEX-37-3M	16S00301	173	VG-P14SBC-30M	19S00055-30M	32	VG-Q-05-25-M8	13S00283	243
VG-619-14M	13S00116	177	VG-688H-37-2M	16S00250	177	VG-P18BC-30M	19S00056-30M	30	VG-QPC-25M	13S00284	242
VG-620-12-12M	13S00106	276	VG-688H-37-3M	16S00251	177	VG-P18BC-NG-30M	19S00056NS-30M	30	VG-QPC-40M	13S00285	242
VG-620-12-16M	13S00107	276	VG-688H-83-2M	16S00252	177	VG-P-18CC-30M	19S00058-30M	10	VG-QPC-450M	13S00286	242
VG-620-14-14M	13S00108	276	VG-688H-83-3M	16S00253	177	VG-P-18CC-3M	19S00058-3M	10	VG-QPC-65M	13S00287	242
VG-620-15-15M	13S00109	276	VG-750-10	14S00086	13	VG-P-18CC-6M	19S00058-6M	10	VG-QSB-25M	13S00288	242
VG-620-16-16M	13S00110	276	VG-750-20	14S00087	13	VG-P18HD-3M	19S00062-3M	31	VG-QSB-40M	13S00289	242
VG-620-18-18M	13S00111	276	VG-750-30	14S00088	13	VG-P18HD-6M	19S00062-6M	31	VG-QSB-450M	13S00290	242
VG-625-30-3506	14S00050	281	VG-350-3M	19S00209-3M	114	VG-P2520BC-3M	19S00226-3M	114	VG-QSB-65M	13S00291	242
VG-625-30-3510	14S00073	281	VG-350-6M	19S00209-6M	114	VG-P2520BC-6M	19S00226-6M	114	VG-QSC-10M	13S00292	242
VG-625-30-3513	14S00076	281	VG-219-3M	19S00210-3M	112	VG-P316BC-30M	19S00066-30M	31	VG-QSC-12M	13S00293	242
VG-625-30-3516	14S00080	281	VG-219-6M	19S00210-6M	112	VG-P316BC-6M	19S00066-6M	31	VG-QSC-16M	13S00294	242
VG-625-30-3519	14S00084	281	VG-A2520-3M	19S00211-3M	114	VG-P316BC-3M	19S00066-3M	31	VG-QSC-20M	13S00295	242
VG-625-30-5006	14S00071	281	VG-A2520-6M	19S00211-6M	114	VG-P316HD-3M	19S00067-3M	31	VG-QSC-25M	13S00296	242
VG-625-30-5010	14S00074	281	VG-344-3M	19S00224-3M	114	VG-P316HD-6M	19S00067-6M	31	VG-QSC-30M	13S00297	242
VG-625-30-5013	14S00077	281	VG-344-6M	19S00224-6M	114	VG-P350-3M	19S00224-3M	114	VG-QSC-40M	13S00298	242
VG-625-30-5016	14S00081	281	VG-A600-3M	19S00216-3M	112	VG-P350-6M	19S00224-6M	114	VG-QT-01	13S00299	242
VG-625-30-5019	14S00052	281	VG-A600-6M	19S00216-6M	112	VG-P38BC-30M	19S00068-30M	33	VG-R3U-185-50-G	12S00001	50
VG-625-45-3506	14S00072	281	VG-A600A-3M	19S00212-3M	112	VG-P38BC-75M	19S00068-75M	33	VG-R3U-185-60-G	12S00002	50
VG-625-45-3510	14S00051	281	VG-A600A-6M	19S00212-6M	112	VG-P38BC-NS-75M	19S00068NS-75M	33	VG-R3U-205-50-G	12S00003	50
VG-625-45-3513	14S00078	281	VG-ABG-3M	19S00009-3M	108	VG-P38HD-3M	19S00069-3M	33	VG-R3U-205-60-G	12S00004	50
VG-625-45-3516	14S00082	281	VG-ABG-6M	19S00009-6M	108	VG-P38HD-6M	19S00069-6M	33	VG-RF3U-185-50-G	12S00005	50
VG-625-45-3519	14S00085	281	VG-BWS-125-3M	19S00108-3M	34	VG-P516BC-30M	19S00071-30M	33	VG-RF3U-185-60-G	12S00006	50
VG-625-45-5006	14S00053	281	VG-J100-125T-30M	19S00011-30M	11	VG-P516BC-6M	19S00071-6M	33	VG-RF3U-205-50-G	12S00007	50
VG-625-45-5010	14S00075	281	VG-J100-188-30M	19S00012-30M	11	VG-P516BC-NS-30M	19S00071-NS-30M	33	VG-RF3U-205-60-G	12S00008	50
VG-625-45-5013	14S00079	281	VG-JEL-078-125-3M	19S00014-3M	13	VG-P611-3M	19S00033-3M	112	VG-SBG-50-3M	19S00087-3M	34
VG-625-45-5016	14S00083	281	VG-JEL-078-125-6M	19S00014-6M	13	VG-P7GABC-30M	19S00073-30M	31	VG-SPM-3M	19S00008-3M	102
VG-625-45-5019	14S00054	281	VG-JS100-125-30M	19S00015-30M	10	VG-P7GABC-6M	19S00073-6M	31	VG-SPM-6M	19S00008-6M	102
VG-627-30-12	14S00055	282	VG-JS100-125-6M	19S00015-6M	10	VG-P7GABC-NS-3M	19S00073NS-3M	31	VG-SSF-HT-3M	19S00115HT-3M	95
VG-627-45-12	14S00056	282	VG-JS100-188-30M	19S00018-30M	11	VG-P7GABC-NS-6M	19S00073NS-6M	31	VG-SSF-NS-3M	19S00115NS-3M	95
VG-627-80-12	14S00057	282	VG-JS100-188-6M	19S00018-6M	11	VG-P7GAHD-3M	19S00076-3M	32	VG-SSF-NS-6M	19S00115NS-6M	95
VG-628-35-12-12	14S00059	281	VG-JS100-188-6M	19S00018-6M	11	VG-P7GAHD-6M	19S00076-6M	32	VG-SSF-NS-6M	19S00115NS-6M	95
VG-628-35-12-14	14S00060	281	VG-JS150-125-30M	19S00020-30M	11	VG-P7GAHD-NS-6M	19S00076NS-6M	32	VG-SSF-3M	19S00116-3M	95
VG-628-35-12-34	14S00061	281	VG-JS150-125-6M	19S00020-6M	11	VG-P813-30M	19S00025-30M	112	VG-SSF-6M	19S00116-6M	95
VG-628-35-12-38	14S00062	281	VG-JS150-125-6M	19S00020-6M	11	VG-P813-3M	19S00025-3M	112	VG-SSF-SD-3M	19028AS	95
VG-628-35-12-58	14S00063	281	VG-JS150-188-3M	19S00021-3M	12	VG-P813-6M	19S00025-6M	112	VG-SSF-SD-6M	19028ASL	95
VG-628-50-12-12	14S00064	281	VG-JS150-188-6M	19S00021-6M	12	VG-P813F-30M	19S00026-30M	112	VG-SSLT-1.0X38-NS-3M	19S00123NS-3M	100
VG-628-50-12-14	14S00065	281	VG-JS200-125-3M	19S00023-3M	12	VG-P813F-6M	19S00026-6M	112	VG-SSLT-1.0X38-NS-6M	19S00123NS-6M	100
VG-628-50-12-34	14S00066	281	VG-JS200-125-6M	19S00023-6M	12	VG-P816F-3M	19S00034-3M	113	VG-SSM-NS-3M	19S00129NS-3M	94
VG-628-50-12-38	14S00067	281	VG-JS200-188-3M	19S00024-3M	12	VG-P816F-6M	19S00034-6M	113	VG-SSM-NS-6M	19S00129NS-6M	94
VG-628-50-12-58	14S00068	281	VG-JS3-075-125-30M	19S00029-30M	10	VG-P820F-3M	19S00031-3M	113	VG-SSMS-3M	19S00130-3M	94
VG-629-12-12	14S00069	282	VG-JSL075-125-30M	19S00016-30M	12	VG-P820F-6M	19S00031-6M	113	VG-SSMS-6M	19S00130-6M	94
VG-686A-30-2M	16S00001	178	VG-JSL075-125-6M	19S00016-6M	12	VG-P822F-3M	19S00027-3M	113	VG-SSM-SD-3M	19024AS	94
VG-686A-30-3M	16S00002	178	VG-JSL075-125-6M	19S00016-6M	12	VG-P822F-6M	19S00027-6M	113	VG-SSM-SD-6M	19024ASL	94
VG-686A-76-2M	16S00004	178	VG-JSL075-125-NS-30M	19S00016NS-30M	12	VG-P824F-3M	19S00022-3M	113	VG-SSMT-3M	19S00138-3M	96
VG-686A-76-3M	16S00005	178	VG-JSL075-188-30M	19S00017-30M	13	VG-P824F-6M	19S00022-6M	113	VG-SSMT-6M	19S00138-6M	96
VG-686MSP-30	16S00006	178	VG-MBG-50-NS-3M	19S00035-3M	34	VG-P834F-3M	19S00028-3M	113	VG-SSMT-SD-3M	19S00138-SD-3M	96
VG-686MSP-76	16S00007	178	VG-NG110-SR-30M	19S00039NSR-30M	107	VG-P834F-6M	19S00028-6M	113	VG-SSMT-SD-6M	19S00138-SD-6M	96
VG-687-37-2M	16S00050	179	VG-NG125-SR-1M28	19S00044NSR	107	VG-PBG5-NS-30M	19S00078NS-30M	109	VG-SSR-NS-3M	19S00145NS-3M	94
VG-687-37-3M	16S00051	179	VG-NG125-SR-30M	19S00037NSR-30M	107	VG-PBG5-NSD-30M	19S00078NSD-30M	109	VG-SSR-NS-6M	19S00145NS-6M	94
VG-687-83-2M	16S00052	179	VG-NG47-SR-30M	19S00040NSR-30M	106	VG-PBG7-NS-30M	19S00079NS-30M	108	VG-SSRS-3M	19S000146-3M	94
VG-687BSC-15	16S00302-15	174	VG-NG47-SR-75M	19S00040NSR-75M	106	VG-PBG7-NSD-30M	19S00079NSD-30M	108	VG-SSRS-6M	19S000146-6M	94
VG-687BSC-25	16S00302-25	174	VG-NG49-SR-30M	19S00041NSR-30M	106	VG-PM10BC-75M	19S00081-75M	33	VG-SSR-SD-3M	19020AS	94
VG-687BSC-50	16S00302-50	174	VG-NG49-SR-75M	19S00041NSR-75M	106	VG-PM4BC-30M	19S00082-30M	31	VG-SSR-SD-6M	19020ASL	94
VG-687FLEX-37-3M	16S00300	173	VG-NG50-SR-30M	19S00042NSR-30M	106	VG-PM4BC-75M	19S00082-75M	31	VG-SST-75-SD-3M	19058AS	97
VG-687H-37-2M	16S00100	176	VG-NG50-SR-75M	19S00042NSR-75M	106	VG-PMBG-50-NS-3M	19S00077-3M	34	VG-SST-75-SD-6M	19058ASL	97
VG-687H-37-3M	16S00101	176	VG-NG81-SR-75M	19S00043NSR-75M	107	VG-PMI-25	19S00092	103	VG-SST-1.00-SD-3M	19032AS	98
VG-687H-83-M2	16S00102	176	VG-NG91-SR-30M	19S00038NSR-30M	107				VG-SST-1.00-SD-6M	19032ASL	98

