



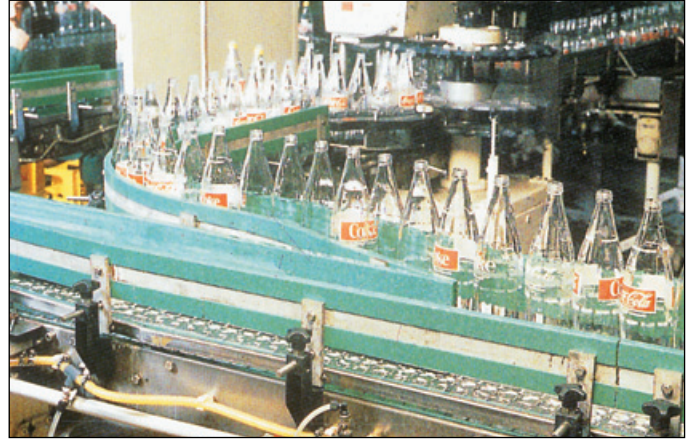
AVE[®]


CHAINS, MODULAR BELTS & CONVEYOR COMPONENTS


CADENAS Y COMPONENTES PARA TRANSPORTADORES
CHAINS & CONVEYOR COMPONENTS
CHAÎNES ET COMPOSANTS POUR CONVOYEURS
SCHARNIERBANDKETTEN UND BAUTEILE FÜR FÖRDERANLAGEN

2010-03


ALGUNOS EJEMPLOS DE UTILIZACION / SOME EXAMPLES OF USES
QUELQUES EXEMPLES D'UTILISATION / EINIGE ANWENDUNGSBEISPIELE



 LOS DIBUJOS DE ESTE CATÁLOGO SON ÚNICAMENTE ILUSTRATIVOS Y NO CONSTRUCTIVOS.
 TRANSMISIONES MECÁNICAS AVE, S.A. SE RESERVA EL DERECHO DE VARIAR LAS DIMENSIONES AQUÍ INDICADAS SI ASÍ LO CONSIDERA NECESARIO PARA MEJORAS TÉCNICAS.
 QUEDA PROHIBIDA LA REPRODUCCIÓN TOTAL O PARCIAL DE ESTE CATÁLOGO SIN NUESTRO CONSENTIMIENTO EXPRESO.

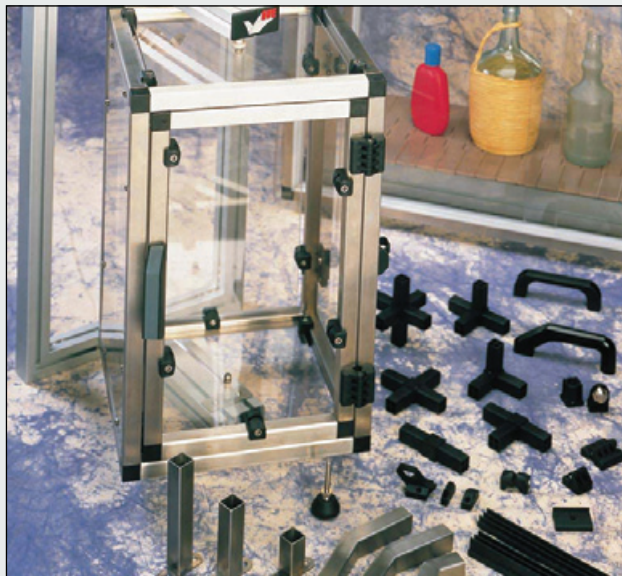
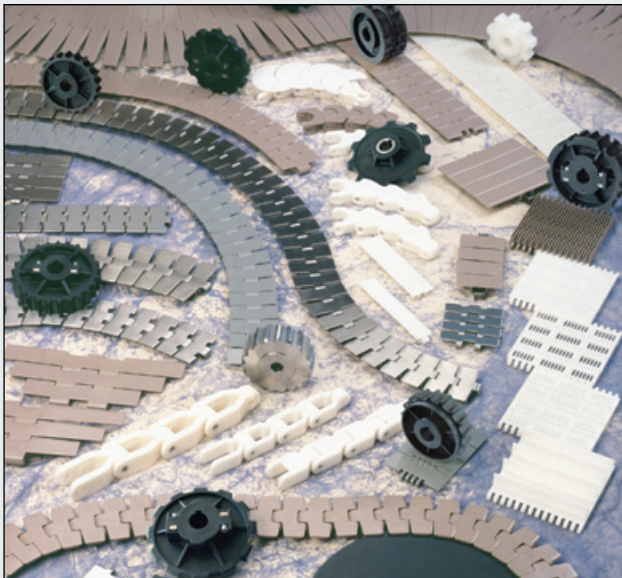
 THE DRAWINGS IN THIS CATALOGUE ARE FOR ILLUSTRATIVE PURPOSES ONLY AND ARE NOT INTENDED AS CONSTRUCTIONAL DRAWINGS.
 TRANSMISIONES MECÁNICAS AVE S.A. RESERVES THE RIGHT TO ALTER THE MEASUREMENTS INDICATED IN THIS CATALOGUE WITHOUT PRIOR NOTICE WHENEVER IT CONSIDERS THIS NECESSARY FOR THE SAKE OF TECHNICAL IMPROVEMENTS.
 COPYRIGHT BY TRANSMISIONES MACANICAS AVE S.A. THIS CATALOGUE MAY NOT BE REPRODUCED IN PART OR IN WHOLE WITHOUT T.M. AVE'S EXPRESS PERMISSION.

 LES DESSINS FIGURANT DANS CE CATALOGUE SONT ILLUSTRATIFS ET NE DOIVENT PAS ÊTRE CONSIDERES COMME DESSINS INDUSTRIELS
 LA FIRME TRANSMISIONES MECÁNICAS AVE, S.A. SE RÉSERVE LE DROIT A TOUS MOMENTS DE MODIFIER LES DIMENSIONS ET CARACTERISTIQUES DE SES FABRICATIONS SI NECESSAIRE SANS POUR CELA EN INFORMER SYSTEMATIQUEMENT SA CLIENTÈLE.
 LA REPRODUCTION TOTALE OU PARTIEL DE NOTRE CATALOGUE EST STRICTEMENT INTERDITE SAUF ACCORD PRÉALABLE

 DIE ABBILDUNGEN IN DIESEM KATALOG DIENEN AUSSCHLIESSLICH DER ILLUSTRATION UND SIND NICHT ALS KONSTRUKTIONSZEICHNUNG ZU VERSTEHEN.
 DIE FIRMA TRANSMISIONES MECÁNICAS AVE, S.A. BEHÄLT SICH DAS RECHT VOR, JEDERZEIT UND OHNE VORANKÜNDIGUNG DIE ANGEGEBENEN ABMESSUNGEN ZU ÄNDERN, WENN DIE VERBESSERUNG DER TECHNISCHEN EIGENSCHAFTEN DIES ERFORDERT.
 DIE AUSZUGSWEISE ODER VOLLSTÄNDIGE VERVIELFÄLTIGUNG DIESES KATALOGS IST OHNE UNSERE AUSDRÜCKLICHE ZUSTIMMUNG UNTERSAGT.

COPYRIGHT BY T.M. AVE





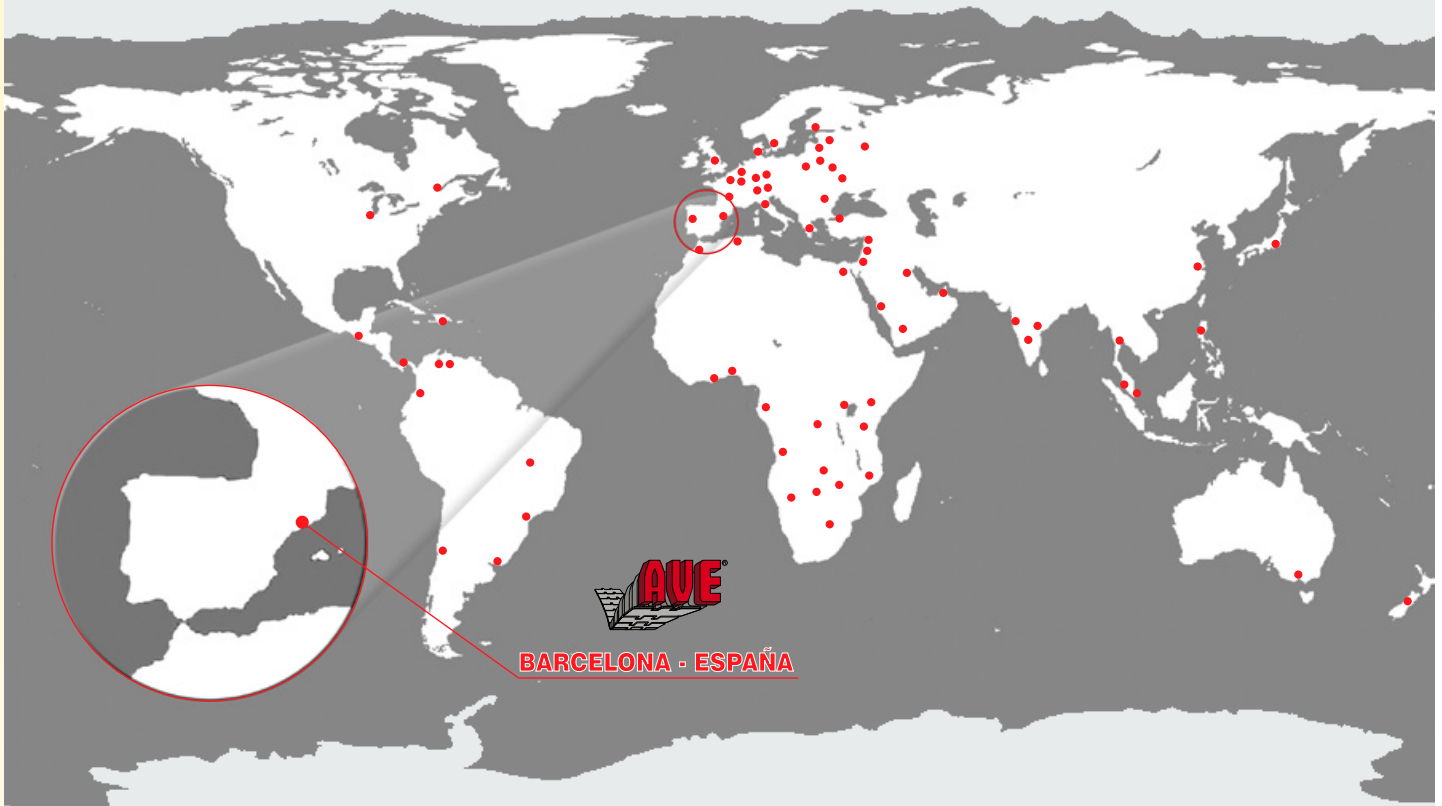


AVE Transmisiones Mecánicas, fundada en 1953, y situada en Barcelona, es líder de mercado en España y está especializada en la fabricación de: CADENAS DE TABLILLAS, RUEDAS, GUIAS DE DESLIZAMIENTO, ACCESORIOS Y COMPONENTES, PERFILES Y SOPORTES DE RODAMIENTOS, principalmente para las Industrias del envase y embalaje. Avalada por más de 50 años de experiencia en el mercado y con presencia en más de 50 países, garantizan la credibilidad y calidad de nuestros fabricados, incluyendo ergonomía, funcionalidad, y una muy buena relación calidad/precio. Las más altas normativas de calidad son aplicadas a todos nuestros fabricados y control de calidad (ISO 9001-2000, certificado por TÜV).

Barcelona - based, AVE® Chains -founded in 1953- is a market leader in Spain, specialized in manufacturing: ARTICULATED PLATE CHAINS, ACCESSORIES AND COMPONENTS, SLIDING GUIDES - DESLIDUR PE-UHMW, ALUMINIUM PROFILES, BEARING SUPPORTS..., mainly for the bottling and packaging industry. Over 50 years in the market and a major presence in more than 50 countries, guarantee our product reliability and quality, including ergonomics, functionality and, a very good quality/price relationship. The highest technological standards are applied to our manufactures and quality control (ISO 9001-2000), certified by TÜV.

AVE Transmisiones Mecánicas, fondé en 1953 et situé à 5 Km. de Barcelone, est spécialisée en la fabrication de: CHAINES À PALETTES, ROUES, GUIDES DE GLISSEMENT, ACCESSOIRES ET COMPOSANTS, PROFILS ET SUPPORTS DE PALIERS pour l'industrie de l'emballage et la mise en bouteilles principalement. Plus de 50 années d'expérience au marché donnent son aval à AVE, toujours avec le plus haut niveau technologique dans la fabrication et control de qualité de ses produits (ISO 9001 - 2000). Tout ça fa devenir AVE le fournisseur leader dans le marché national et avec une très important présence en plus de 50 Pays .

AVE Transmisiones Mecánicas, gegründet im Jahr 1953, und befindet sich ca. 5 km von Barcelona entfernt, ist auf die Herstellung folgender Produkte, spezialisiert: PLATTENBANDKETTEN, KETTENRÄDER, GLEITLEISTEN, ZUBEHÖR UND KOMPONENTEN, PROFILE UND LAGERBÖCKE, und zwar in erster Linie für die Verpackungsindustrie. Sowohl unsere mehr als 50-jährige Markterfahrung als auch unser hohes technisches Niveau bei der Fertigung und Qualitätskontrolle unserer Produkte (ISO 9001-2000) bürgen für uns und haben uns zum nationalen Marktführer mit einer wichtigen Präsenz in über 50 Ländern werden lassen.



BARCELONA - ESPAÑA

• Distribuidores - Distributors - Distributeurs - Verteilern

Abreviaturas
Abbreviations
Abréviations
Abkürzungen

XXVII

Índice códigos
Code index
Index code
Inhalt Code

XXVIII - XXXV

**ÍNDICE FOTOGRÁFICO
PHOTOGRAPHIC INDEX
INDEX PHOTOGRAPHIQUE
FOTOGRAFISCHES REGISTER**

Pies
Feets
Pieds
Füsse



IV

Componentes
Conveyor
Composants
Bauteile



IV - VIII

Cadenas
Chains
Chaines
Ketten



IX - XVII

Curvas
Curves
Courbes
Kurven



XVIII

Ruedas
Sprockets
Roues
Kettenräder



XIX - XX

Perfiles
Profiles
Profils
Profile



XXI - XXIII

Rodamientos
Bearings
Paliers
Flanschlager



XXIV

Aluminio
Aluminium
Aluminium
Aluminium



XXV

Otros productos
Other products
Autres produits
Andere Produkte



XXVI



Pies y elementos de soporte / Feets / Pieds / Füsse

A1 - A29

A



Componentes / Conveyor / Composants / Bauteile

B1 - B73

B



Cadenas / Chains / Chaines / Ketten

C1 - C64

C



Curvas / Curves / Courbes / Kurven

C67 - C76

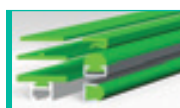
C



Ruedas / Sprockets / Roues / Kettenräder

C79 - C110

C



Perfiles / Profiles / Profils / Profile

D1 - D27

D



Rodamientos / Bearings / Paliers / Flanschlager

E1 - E9

E



Aluminio / Aluminium / Aluminium / Aluminium

F1 - F29

F



**Otros productos / Other products /
Autres produits / Andere Produkte**

G1 - G5

G



**Información técnica / Technical information /
Informations techniques / Technische Informationen**

T1 - T12

T



Pag.
A/1



Pag.
A/1



Pag.
A/1



Pag.
A/2



Pag.
A/2



Pag.
A/6
A/10
A/14
A/18



Pag.
A/3
A/4
A/5
A/6



Pag.
A/7



Pag.
A/8



Pag.
A/09
A/10
A/13
A/14
A/17
A/18



Pag.
A/11
A/12
A/15
A/16
A/29
A/20



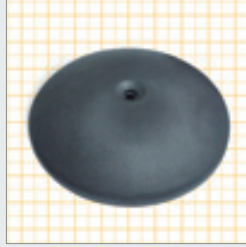
Pag.
A/21
A/22



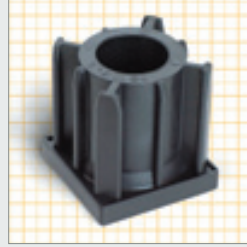
Pag.
A/23
A/24
A/25



Pag.
A/26



Pag.
A/26



Pag.
A/27



Pag.
A/28



Pag.
B/1



Pag.
B/1



Pag.
B/1



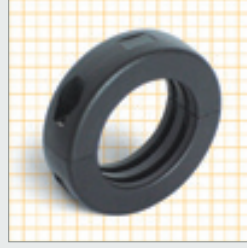
Pag.
B/2



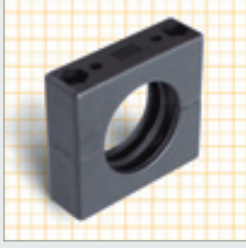
Pag.
B/2



Pag.
B/3
B/4



Pag.
B/5



Pag.
B/5



Pag.
B/6



Pag.
B/7



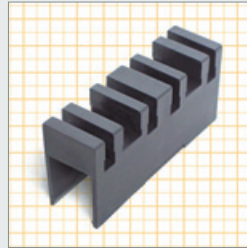
Pag.
B/7



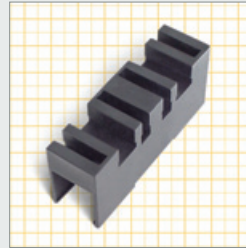
Pag.
B/8



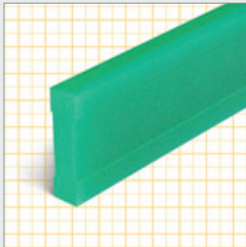
Pag.
B/8



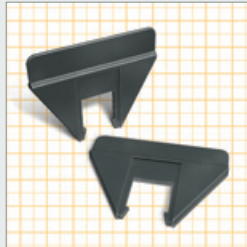
Pag.
B/9



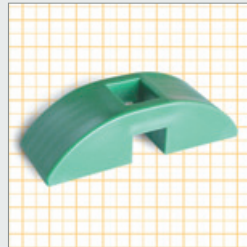
Pag.
B/10



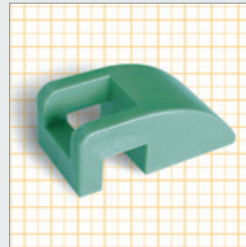
Pag.
B/9



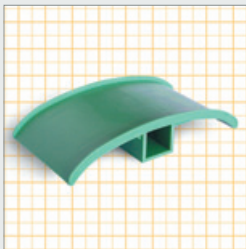
Pag.
B/11



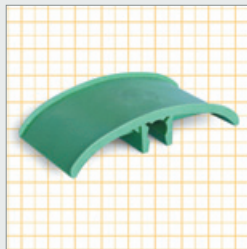
Pag.
B/12



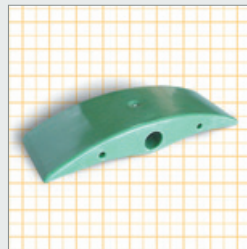
Pag.
B/12



Pag.
B/13



Pag.
B/13



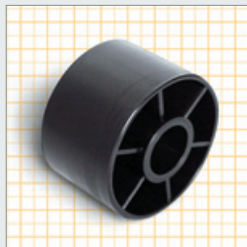
Pag.
B/14



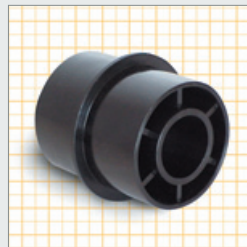
Pag.
B/15
B/16
B/17



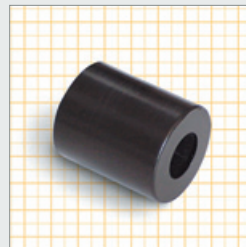
Pag.
B/17



Pag.
B/15
B/16



Pag.
B/15



Pag.
B/17



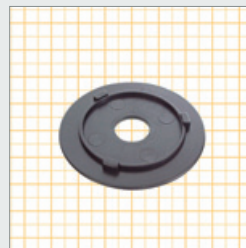
Pag.
B/18



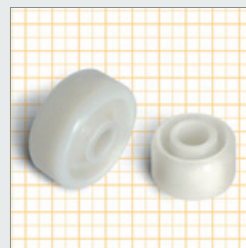
Pag.
B/18
B/19



Pag.
B/18



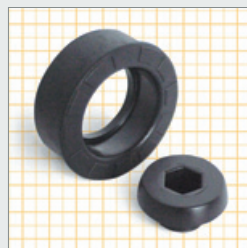
Pag.
B/18



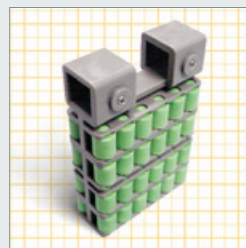
Pag.
B/19



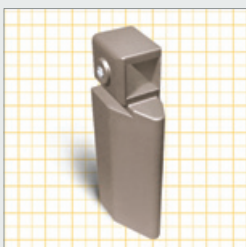
Pag.
B/19



Pag.
B/20



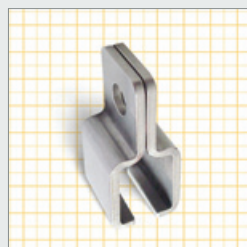
Pag.
B/21



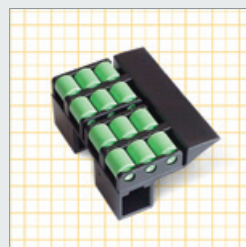
Pag.
B/21



Pag.
B/22



Pag.
B/22



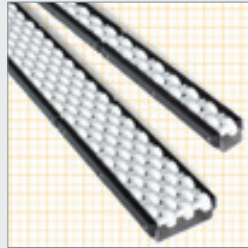
Pag.
B/23



Pag.
B/24



Pag.
B/25



Pag.
B/25
B/26



Pag.
B/27



Pag.
B/27



Pag.
B/28



Pag.
B/28



Pag.
B/29



Pag.
B/29



Pag.
B/30



Pag.
B/31



Pag.
B/31



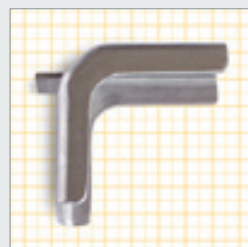
Pag.
B/32



Pag.
B/32



Pag.
B/33



Pag.
B/34



Pag.
B/34



Pag.
B/35
B/36



Pag.
B/36



Pag.
B/36



Pag.
B/36



Pag.
B/37



Pag.
B/37



Pag.
B/38



Pag.
B/38



Pag.
B/38



Pag.
B/38



Pag.
B/39



Pag.
B/39



Pag.
B/39



Pag.
B/40



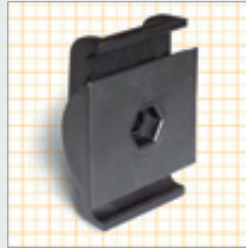
Pag.
B/40



Pag.
B/40



Pag.
B/40



Pag.
B/41
B/45
B/49



Pag.
B/41
B/45
B/49



Pag.
B/41
B/42
B/45
B/46
B/49
B/50



Pag.
B/41
B/42
B/45
B/46
B/49
B/50



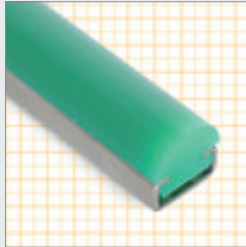
Pag.
B/43
B/44
B/47
B/48
B/51
B/52



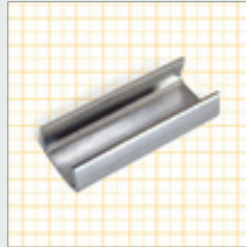
Pag.
B/43
B/44
B/47
B/48
B/51
B/52



Pag.
B/44
B/48
B/52



Pag.
B/48
D/7



Pag.
B/53



Pag.
B/53



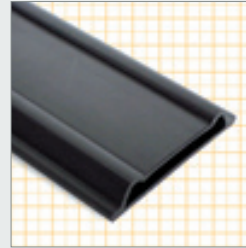
Pag.
B/53



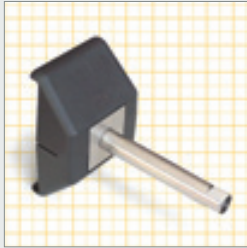
Pag.
B/54



Pag.
B/54



Pag.
B/55
B/56



Pag.
B/55
B/56



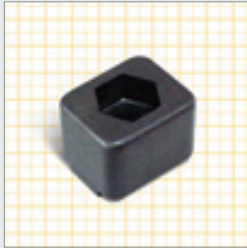
Pag.
B/57
B/58



Pag.
B/57
B/58



Pag.
B/59



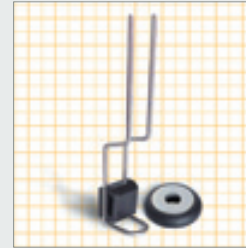
Pag.
B/60



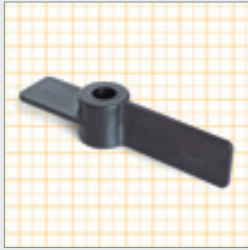
Pag.
B/60



Pag.
B/61



Pag.
B/62



Pag.
B/63



Pag.
B/63



Pag.
B/64



Pag.
B/64



Pag.
B/65



Pag.
B/65



Pag.
B/66



Pag.
B/67
B/68



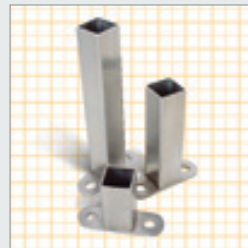
Pag.
B/67
B/68



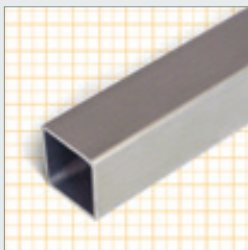
Pag.
B/69



Pag.
B/70



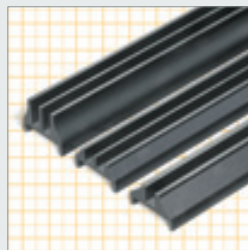
Pag.
B/70



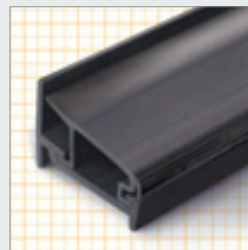
Pag.
B/70



Pag.
B/71



Pag.
B/71



Pag.
B/71



Pag.
B/72



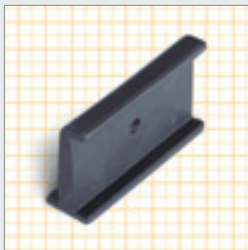
Pag.
B/72



Pag.
B/72



Pag.
B/73



Pag.
B/73



Pag.
B/74



Pag.
B/75
B/76



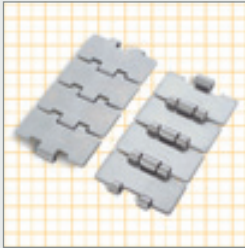
Pag.
B/75
B/76



Pag.
B/75

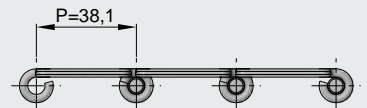
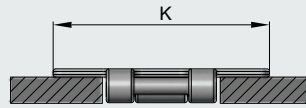


Pag.
B/77
G/4



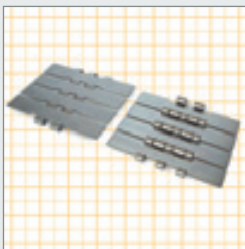
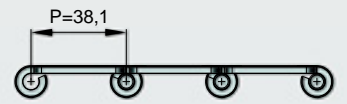
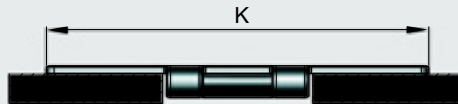
SERIES 815

C/17	C/79 C/80 C/81	C/105 C/107



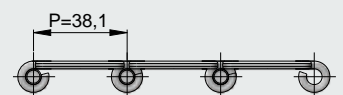
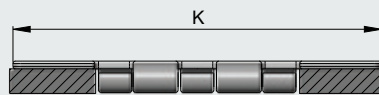
SERIES 8157

C/18	C/93 C/94	



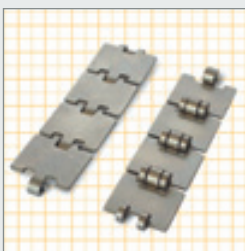
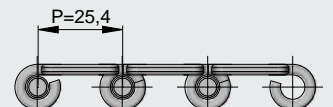
SERIES 805

C/18	C/85 C/86 C/87 C/88	C/106 C/108



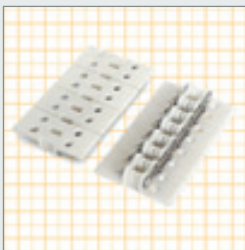
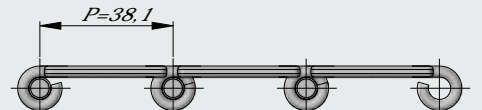
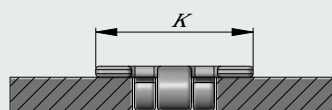
SERIES 515

C/19	C/101	



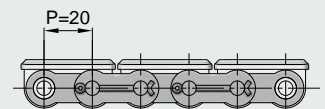
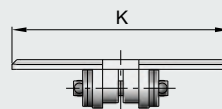
SERIES 810

C/19	C/101	



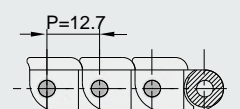
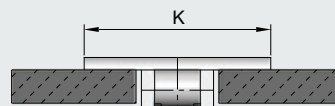
SERIES 400

C/20	C/101	



SERIES 450

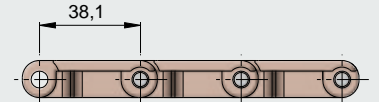
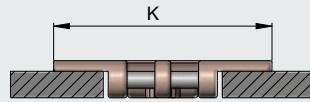
C/20		





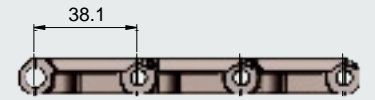
SERIES 820

C/21	C/81 C/82	C/105 C/108



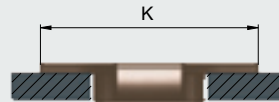
SERIES 831

C/21	C/81 C/82	C/105 C/108



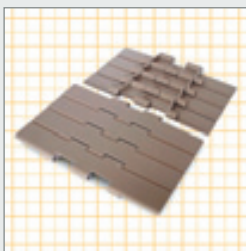
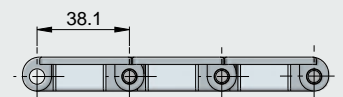
SERIES 828

C/22	C/90 C/91	C/105 C/108



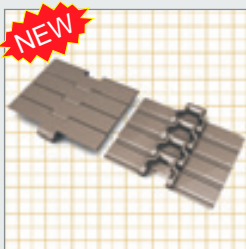
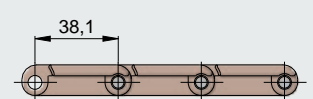
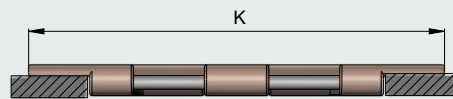
SERIES 900

C/22	C/102	C/105 C/108



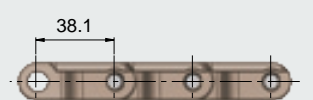
SERIES 821

C/23	C/85 C/86 C/87 C/88	C/106



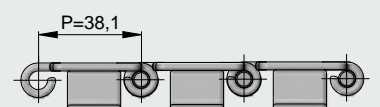
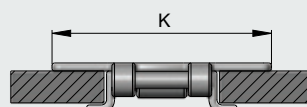
SERIES 8257

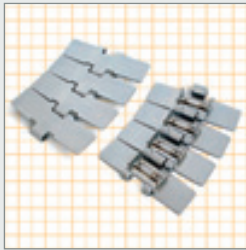
C/23	C/99 C/100	



SERIES 881 TAB

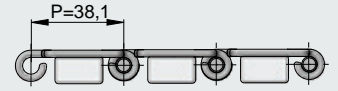
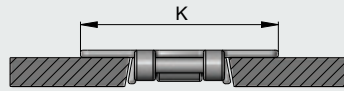
C/25	C/83 C/84	C/105
C/68 C/69		





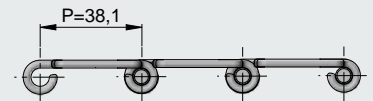
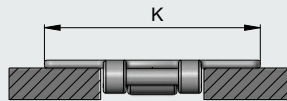
SERIES 881

C/25	C/83 C/84	C/105 C/108
C/67 C/69		



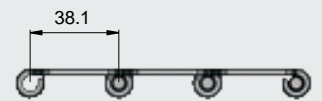
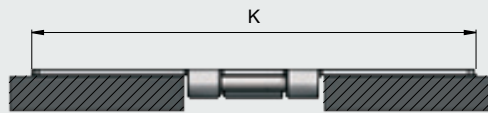
SERIES 881 M

C/26	C/79 C/80	C/105 C/108



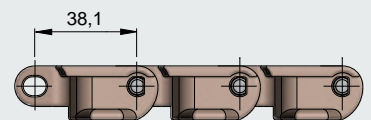
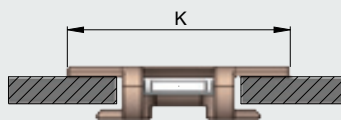
SERIES 8857 M

C/26	C/93 C/94	



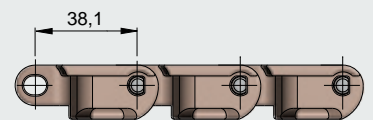
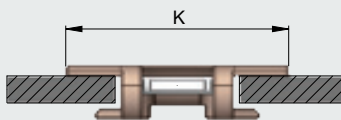
SERIES 880 TAB

C/27	C/90 C/91	C/105
C/68 C/69		



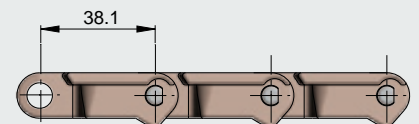
SERIES 879 TAB

C/27	C/90 C/91	C/105 C/108
C/68 C/69		



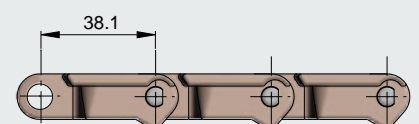
SERIES 880

C/28	C/90 C/91	C/105 C/108
C/67 C/69		



SERIES 879

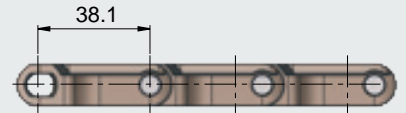
C/28	C/90 C/91	C/105 C/108
C/67 C/69		





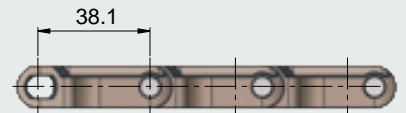
SERIES 880 M

C/29	C/90 C/91	C/105 C/108



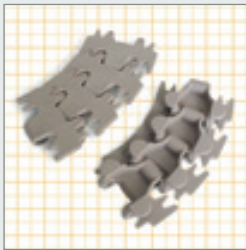
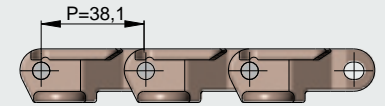
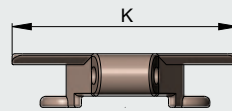
SERIES 879 M

C/29	C/90 C/91	C/105 C/108



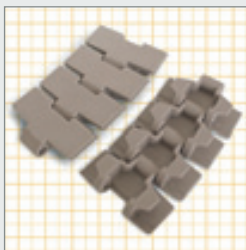
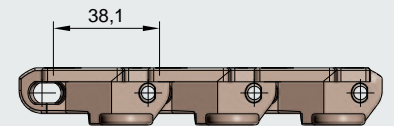
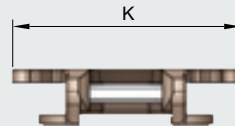
SERIES 880 R

C/30	C/90 C/91	C/74 C/98 C/105
C/68 C/69		



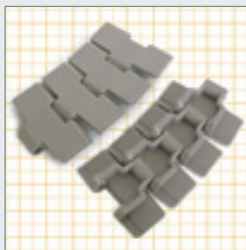
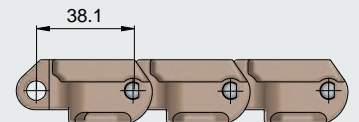
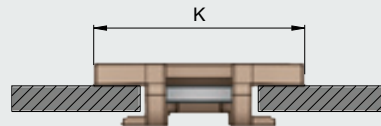
SERIES 889 TAB

C/30	C/90 C/91	C/74 C/98 C/105
C/67 C/69		



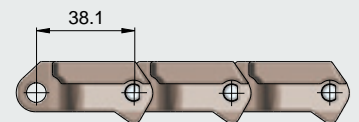
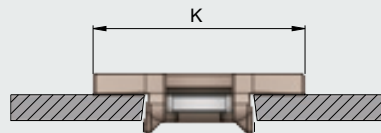
SERIES 887 TAB

C/31	C/90 C/91	C/105
C/68 C/69		



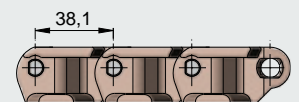
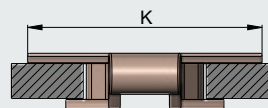
SERIES 887

C/31	C/90 C/91	C/105 C/108
C/67 C/69		



SERIES 882 TAB

C/32	C/99 C/100	
C/70 C/71		

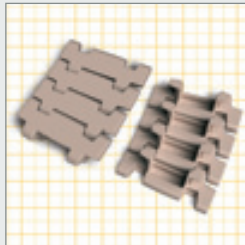
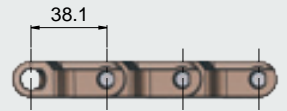


NEW



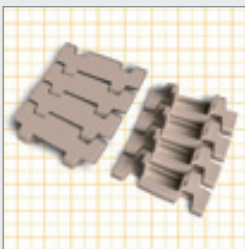
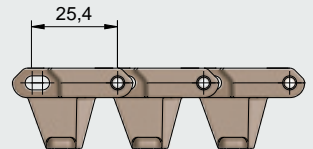
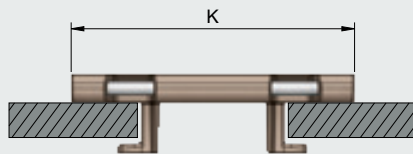
SERIES 882 M

C/32	C/99 C/100	



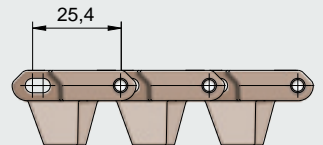
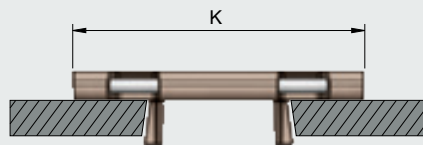
SERIES 7253 TAB

C/33	C/95 C/96 C/97	
	C/68 C/69	



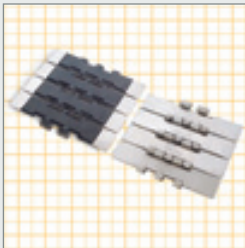
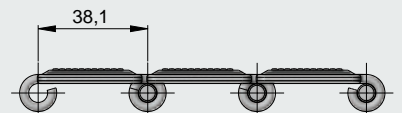
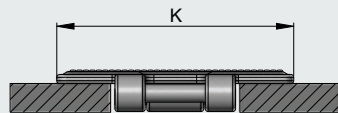
SERIES 7253

C/33	C/95 C/96 C/97	
	C/67 C/69	



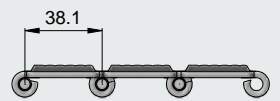
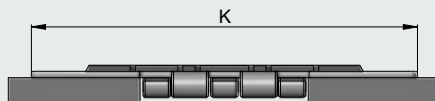
SERIES 815 G

C/35	C/79 C/80 C/81	C/105 C/108



SERIES 805 G

C/35	C/85 C/86 C/87 C/88	C/106 C/109

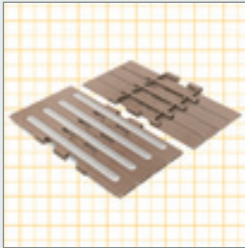
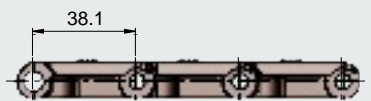
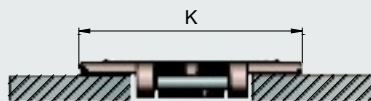


NEW



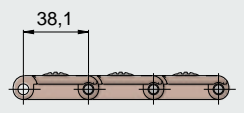
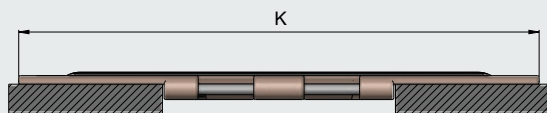
SERIES 831 GF

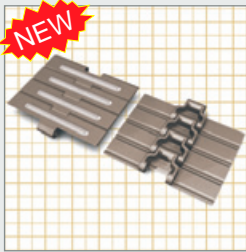
C/36	C/81 C/82	C/105 C/108



SERIES 821 GF

C/37	C/85 C/86 C/87 C/88	C/106

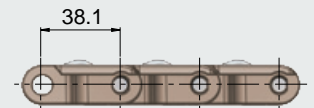
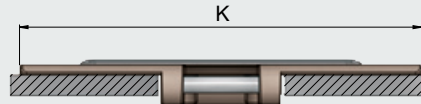




SERIES 8257 GF



C/38 C/99
C/100

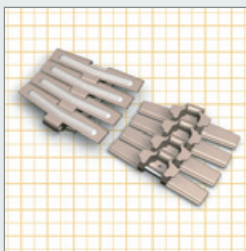
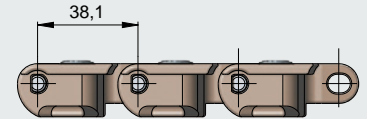
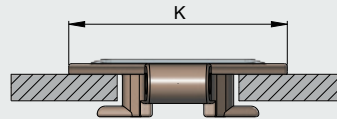


SERIES 879 TAB GF



C/41 C/90
C/91

C/68
C/69

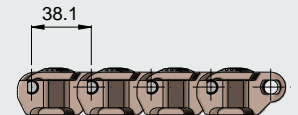
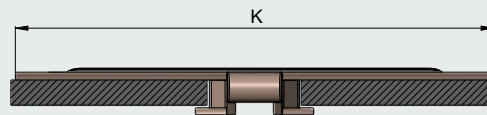


SERIES 882 TAB GF



C/42 C/99
C/100

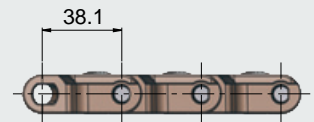
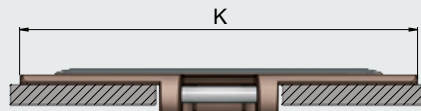
C/70
C/71



SERIES 882 M GF



C/43 C/99
C/100

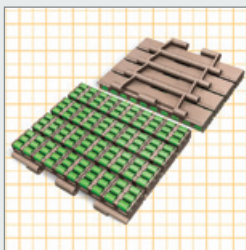
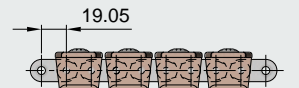
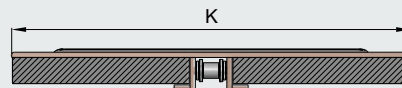


SERIES 1873 GF



C/44

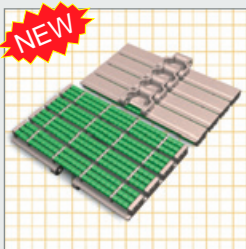
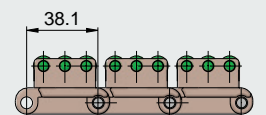
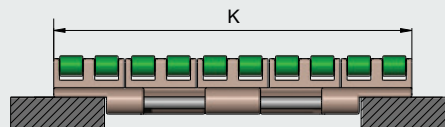
C/75
C/76



SERIES 821 BPM



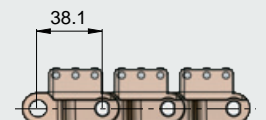
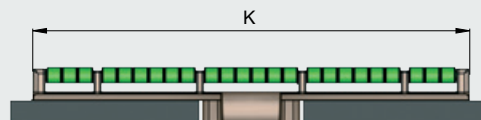
C/47 C/85 C/106
C/86
C/87
C/88

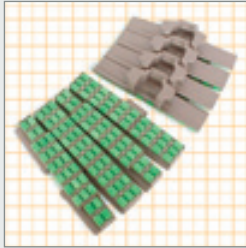


SERIES 8257 BP



C/47 C/99 C/79
C/100





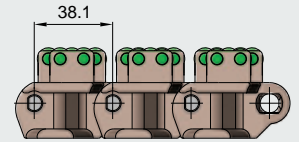
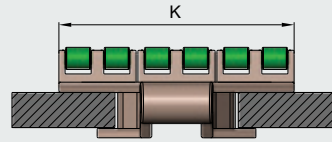
SERIES 882 TAB BPM



C/48 C/99
C/100



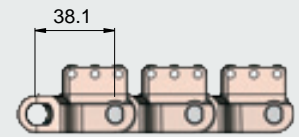
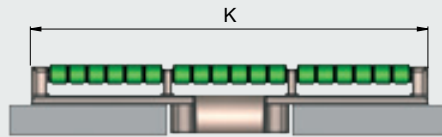
C/70
C/71



SERIES 882 M BP



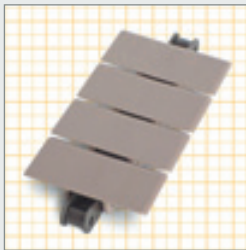
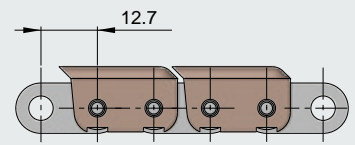
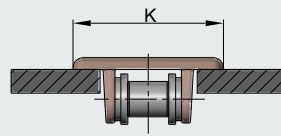
C/48 C/99
C/100



SERIES 843



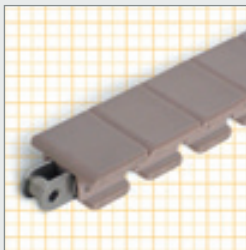
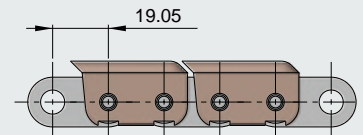
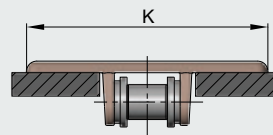
C/51



SERIES 863



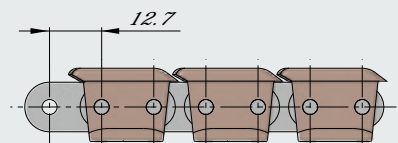
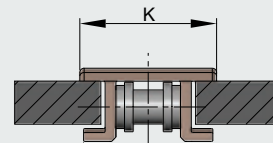
C/51



SERIES 1843 TAB



C/52



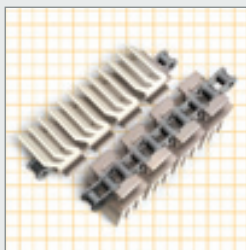
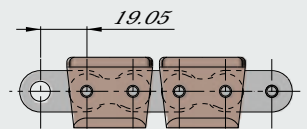
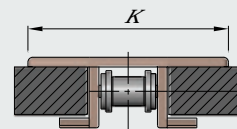
SERIES 1873 TAB



C/52



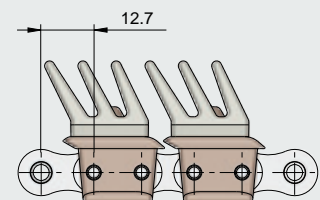
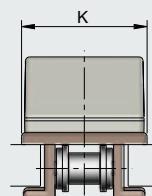
C/75
C/76



SERIES 1843 EG



C/53





SERIES 1873 EG

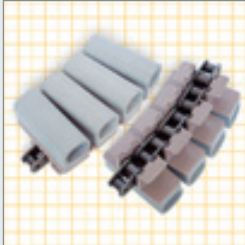
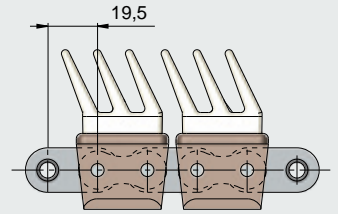
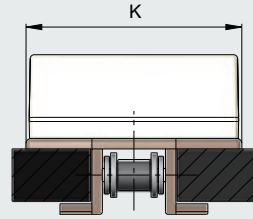


C/54



C/75

C/76



SERIES 1873 GA

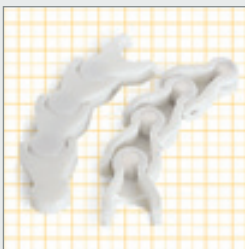
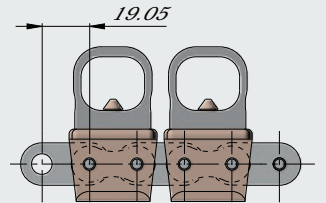
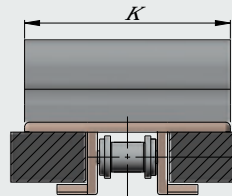


C/55



C/75

C/76



SERIES 550 - 550 L - 550 LF - 550 E



C/57 C/73

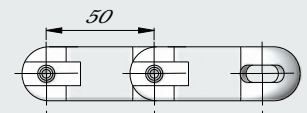
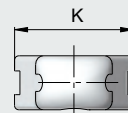
C/59 C/74

C/89



C/71

C/72



SERIES 550 TAB



C/58 C/73

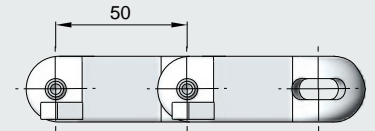
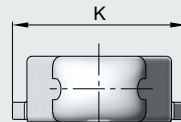
C/74

C/89



C/71

C/72



SERIES 550 ML



C/58 C/73

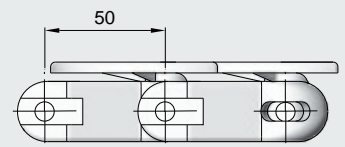
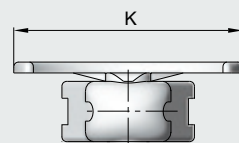
C/74

C/89



C/73

C/74



SERIES 550 1700



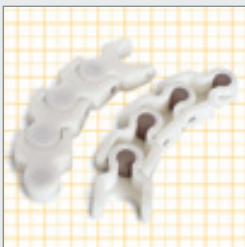
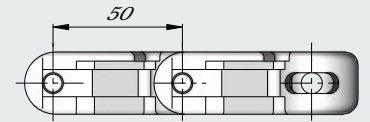
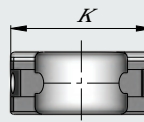
C/60 C/73

C/74

C/89



C/71



SERIES 550 132



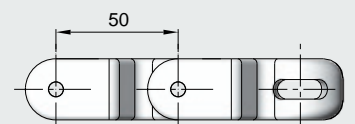
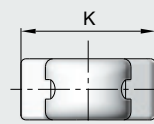
C/60 C/73

C/74

C/89



C/71

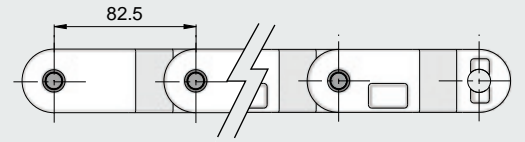
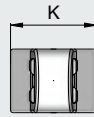




SERIES 600 L - 600 TAB



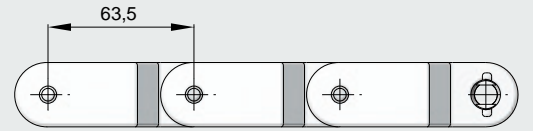
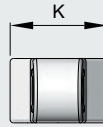
C/61 C/102



SERIES 610 L - 610 LC



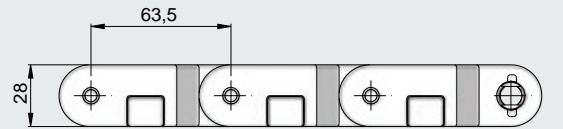
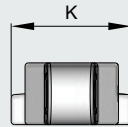
C/62 C/103
C/63 C/104



SERIES 610 TAB - 610 TAB C



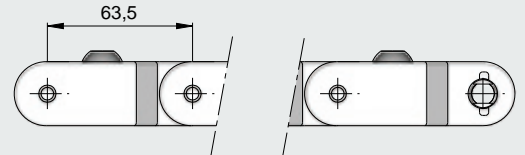
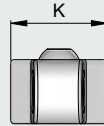
C/62 C/103
C/63 C/104



SERIES 610 LC E



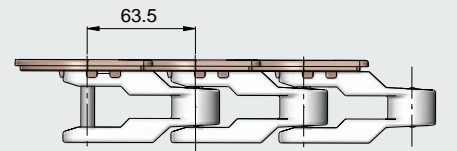
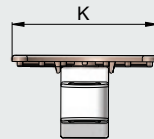
C/64 C/103
C/104

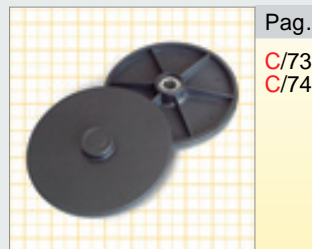
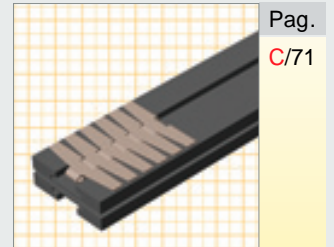
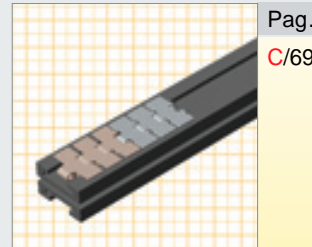
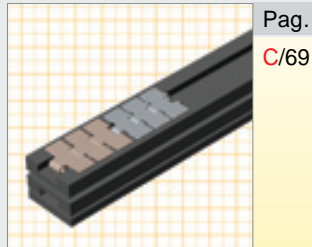
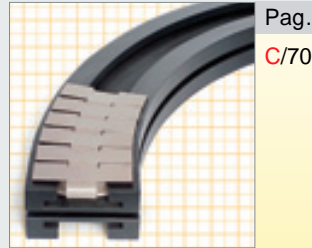
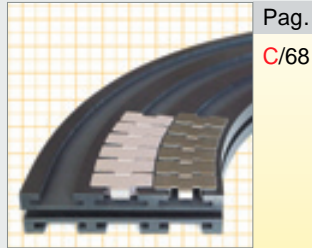


SERIES 610 ML



C/64 C/103
C/104







Pag.
C/80
C/88
C/101



Pag.
C/79



Pag.
C/79



Pag.
C/85



Pag.
C/83



Pag.
C/83



Pag.
C/81



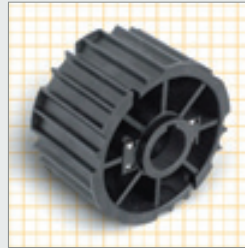
Pag.
C/81



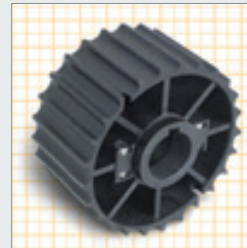
Pag.
C/82



Pag.
C/102



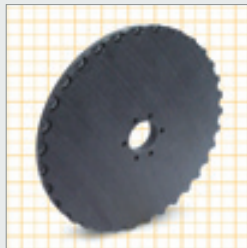
Pag.
C/85



Pag.
C/86



Pag.
C/90
C/99



Pag.
C/98



Pag.
C/89
C/103



Pag.
C/89
C/103



Pag.
C/103



Pag.
C/103



Pag.
C/80



Pag.
C/81
C/82



Pag.
C/84
C/89

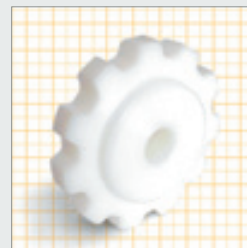


NEW

Pag.
C/87
C/93
C/94



Pag.
C/91
C/100



Pag.
C/90
C/91
C/99
C/100



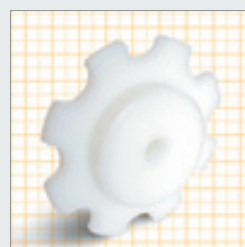
NEW

Pag.
C/92



NEW

Pag.
C/95
C/96
C/97



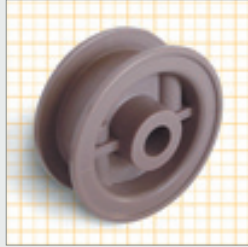
Pag.
C/104



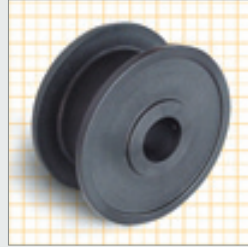
Pag.
C/89



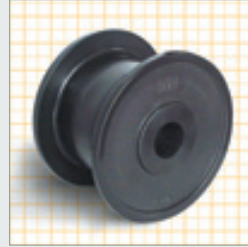
Pag.
C/102



Pag.
C/105



Pag.
C/105



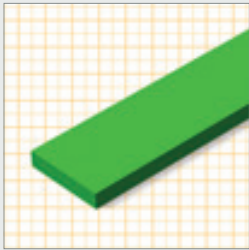
Pag.
C/105
C/106



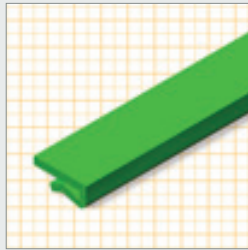
Pag.
C/107



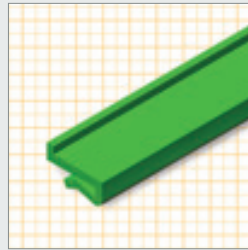
Pag.
C/108
C/109



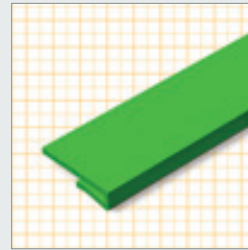
Pag.
D/1



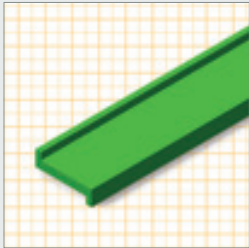
Pag.
D/2



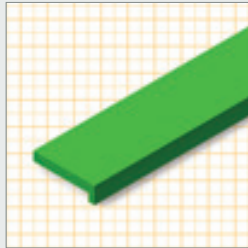
Pag.
D/2



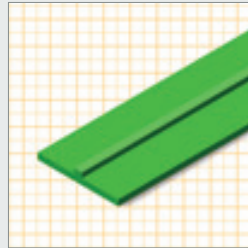
Pag.
D/2



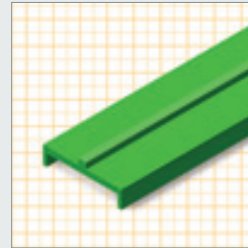
Pag.
D/3



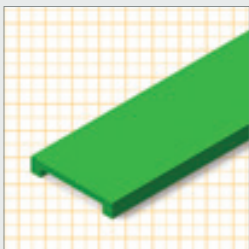
Pag.
D/3



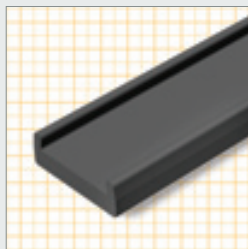
Pag.
D/4



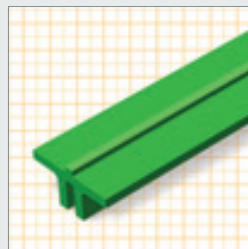
Pag.
D/4



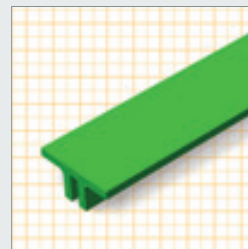
Pag.
D/4



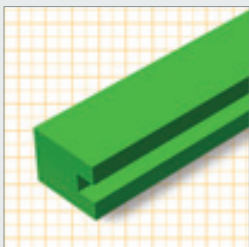
Pag.
D/5



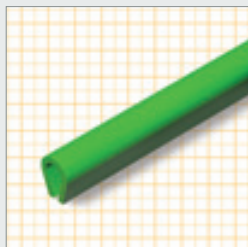
Pag.
D/5



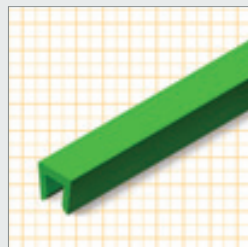
Pag.
D/5



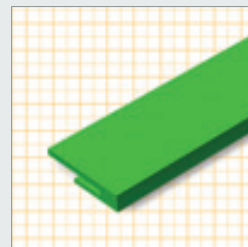
Pag.
D/6



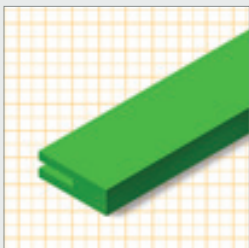
Pag.
D/6



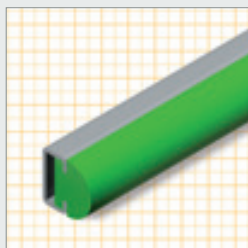
Pag.
D/6



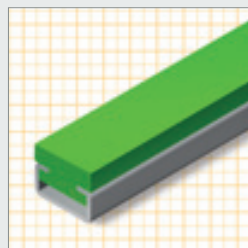
Pag.
D/7



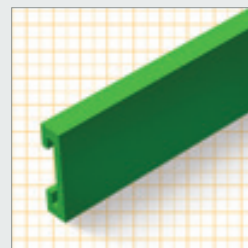
Pag.
D/7



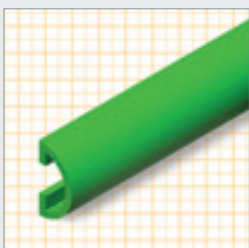
Pag.
D/7
B/48



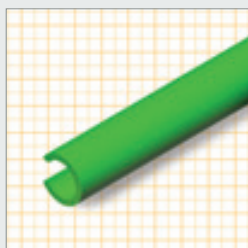
Pag.
D/7



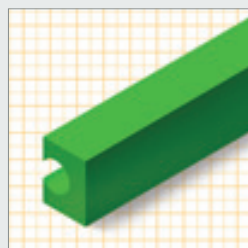
Pag.
D/8



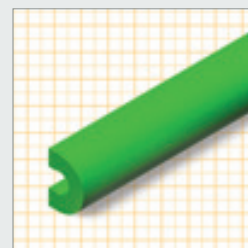
Pag.
D/9



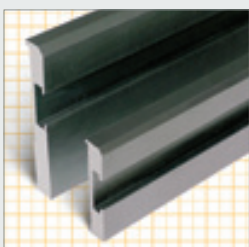
Pag.
D/9



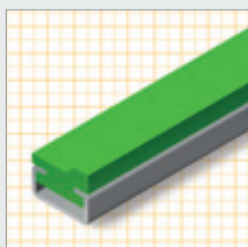
Pag.
D/9



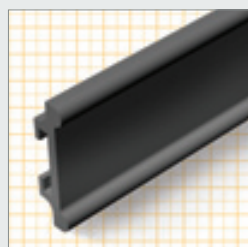
Pag.
D/9



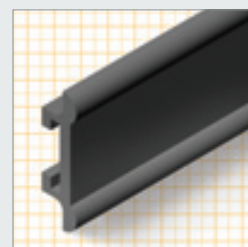
Pag.
D/10



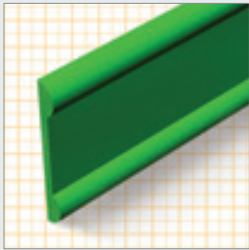
Pag.
D/11



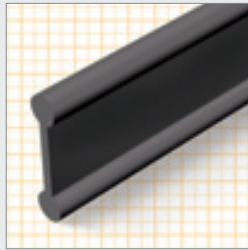
Pag.
D/11



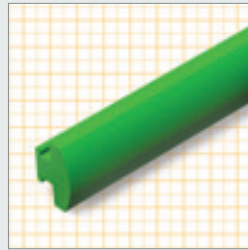
Pag.
D/11



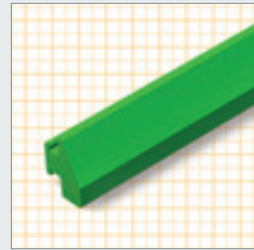
Pag.
D/11



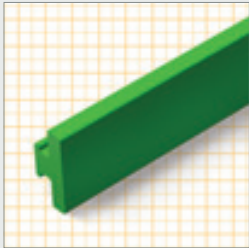
Pag.
D/11



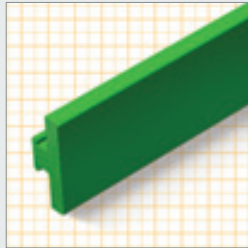
Pag.
D/12



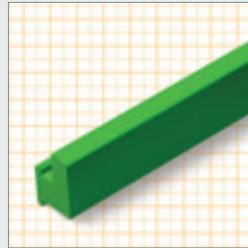
Pag.
D/12



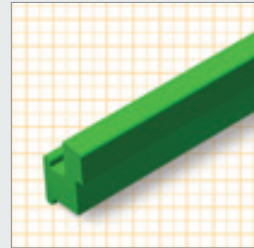
Pag.
D/12



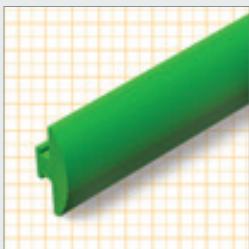
Pag.
D/12



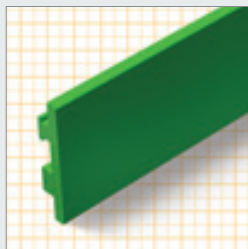
Pag.
D/12



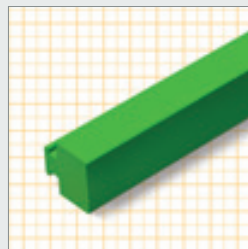
Pag.
D/12



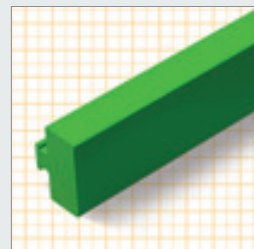
Pag.
D/12



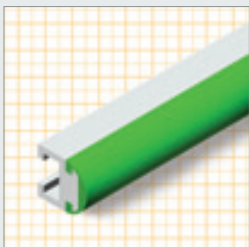
Pag.
D/13



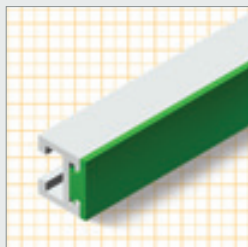
Pag.
D/13



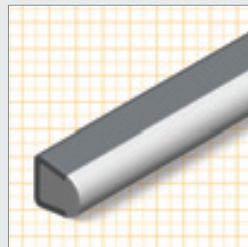
Pag.
D/13



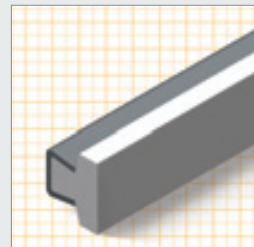
Pag.
D/13



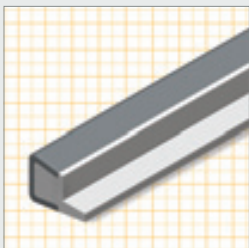
Pag.
D/14



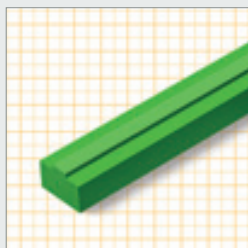
Pag.
D/15



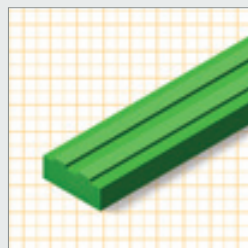
Pag.
D/15
D/16



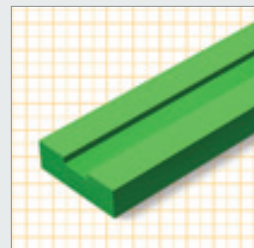
Pag.
D/16



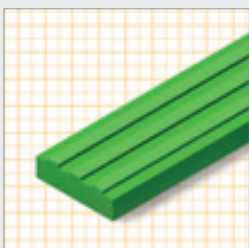
Pag.
D/17



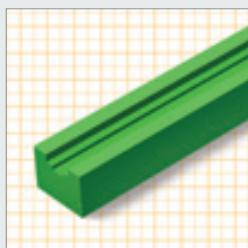
Pag.
D/17



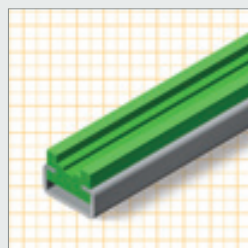
Pag.
D/17



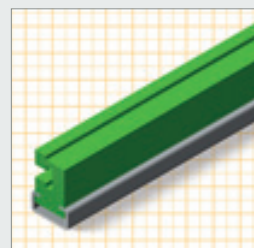
Pag.
D/17



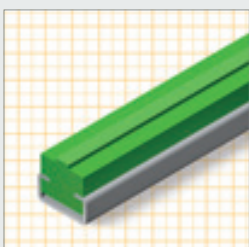
Pag.
D/18



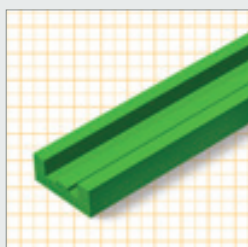
Pag.
D/18



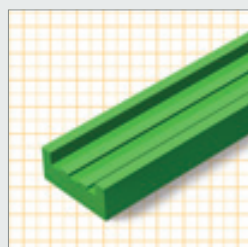
Pag.
D/18



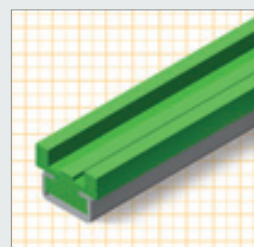
Pag.
D/18



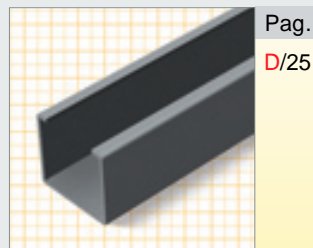
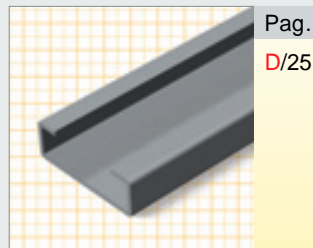
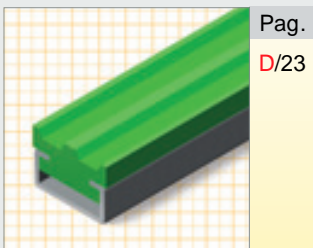
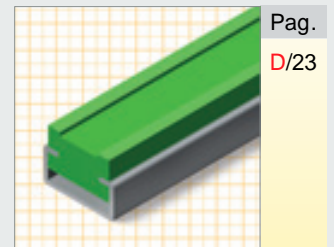
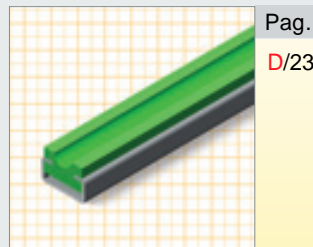
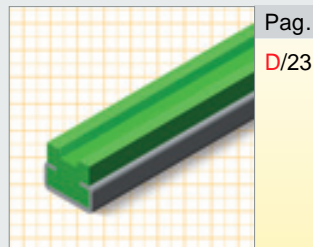
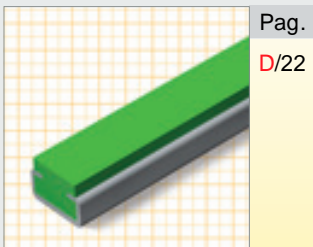
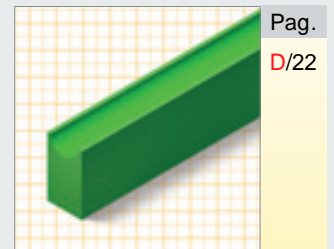
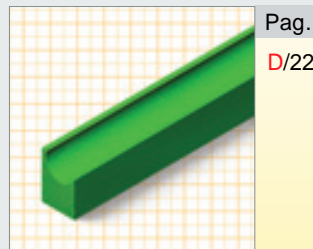
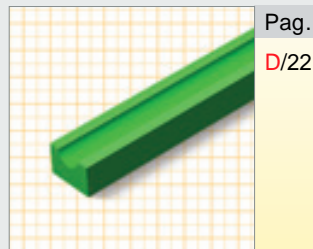
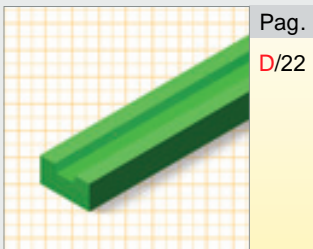
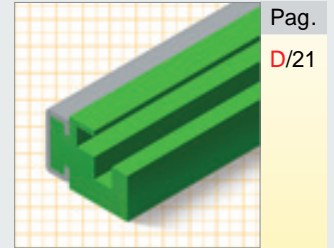
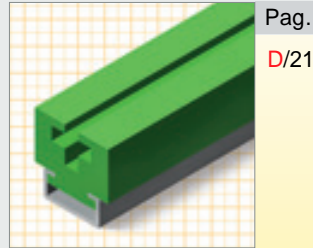
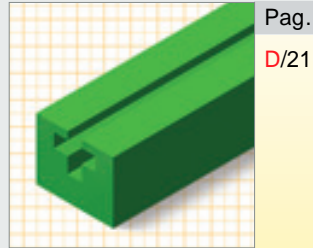
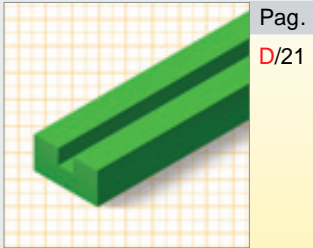
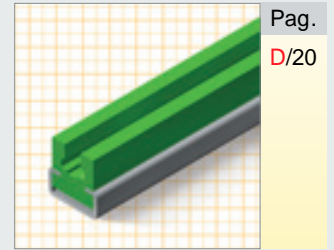
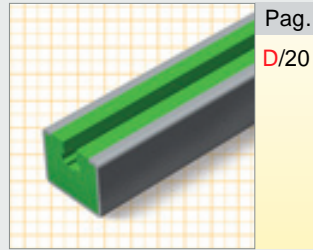
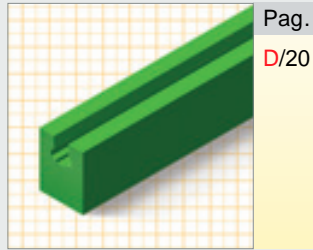
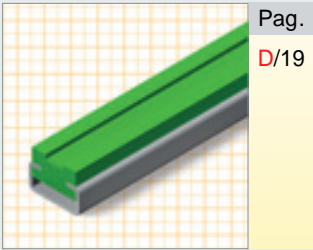
Pag.
D/19



Pag.
D/19



Pag.
D/19





Pag.
E/1



Pag.
E/2



Pag.
E/3



Pag.
E/4



Pag.
E/5



Pag.
E/6



Pag.
E/7



Pag.
E/8



Pag.
E/8



Pag.
E/8



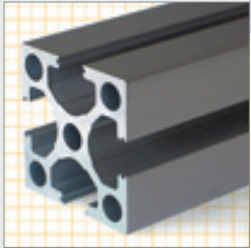
Pag.
E/9



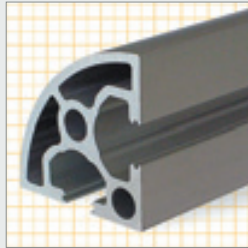
Pag.
E/9



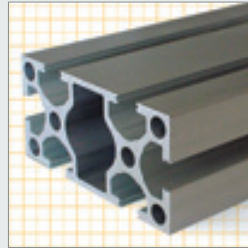
Pag.
E/9



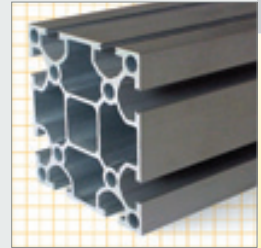
Pag.
F/1
F/2



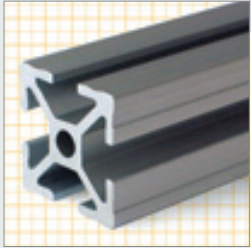
Pag.
F/3



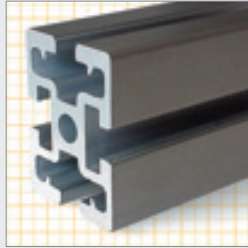
Pag.
F/3



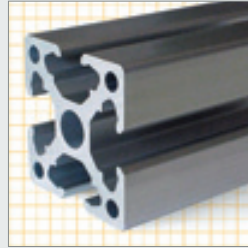
Pag.
F/4



Pag.
F/4



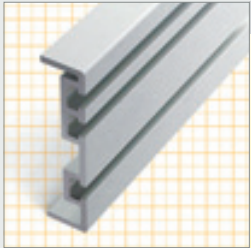
Pag.
F/5



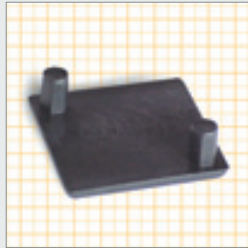
Pag.
F/5



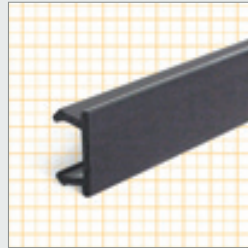
Pag.
F/6



Pag.
F/13
F/14
F/15
F/16
F/17



Pag.
F/7
F/14



Pag.
F/7



Pag.
F/8



Pag.
F/9



Pag.
F/10



Pag.
F/11



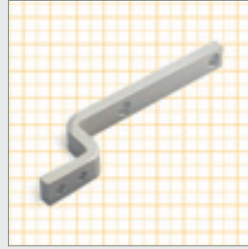
Pag.
F/12



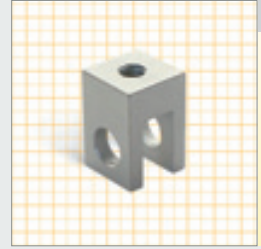
Pag.
F/13



Pag.
F/13



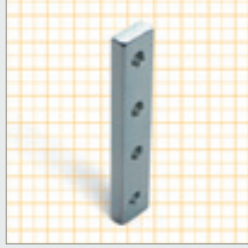
Pag.
F/18



Pag.
F/18



Pag.
F/18



Pag.
F/19



Pag.
F/19



Pag.
F/19



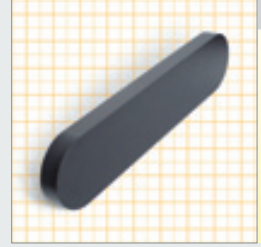
Pag.
F/20



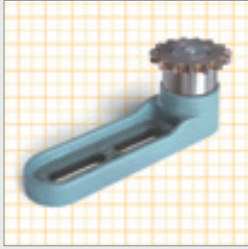
Pag.
F/20



Pag.
F/21



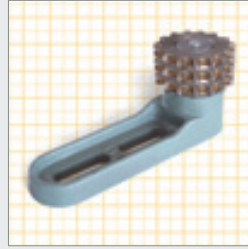
Pag.
F/21



Pag.
G/1



Pag.
G/1



Pag.
G/1



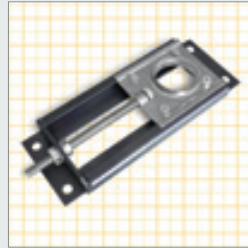
Pag.
G/2



Pag.
G/2



Pag.
G/2















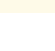
Pag.
G/3



Pag.
G/4
B/69



Pag.
G/5

				
AA:	Aluminio anodizado	Anodized aluminium	Aluminium anodisé	Eloxiertes aluminium
AV:	Antivibración	Antivibration	Antivibration	Schwingungsdämpfend
AW:	Acetal blanco	White Acetal	Acétal blanc	Acetal, weiß
COD:	Código	Code	Code	Code
D:	Acetal gris	Grey Acetal	Acétal gris	Standard Azetal, grau
DE:	Diámetro exterior	Outside diameter	Diamètre extérieur	Kopfkreis-Durchmesser
DF:	Diámetro taladro	Pilot Bore	Diamètre d'axe	Bohrungsdurchmesser
DP:	Diámetro primitivo	Primitive diameter	Diamètre primitif	Teilkreis-Durchmesser
DV:	Diámetro varilla	Round Profile diameter	Diamètre	Stangen Durchmesser
FD:	Fuerza deslizamiento	Sliding load	Effort de glissement max.	Ausziehkraft
FM:	Fuerza máxima	Max. load resistance	Résistance de charge max.	Max. zulässige Belastung
FT:	Fuerza trabajo	Max. advisable working load	Charge active max. de travail.	Ausziehkraft
inch:	Pulgadas	Inches	Pources	Zoll
K:	Ancho platillo	Plate width	Largeur de la palette	Plattenbreite
Kg/m:	Kilogramos por metro	Kilograms per meter	Kilos par mètre	Kilogramm pro Meter
Kg:	Kilogramos por unidad	Kilograms per unit	Kilos unité	Kilogramm pro Stück
KV:	Kevlar®	Kevlar®	Kevlar®	Kevlar®
L:	Longitud	Length	Longueur	Länge
LF:	Acetal marrón	Brown Acetal	Acetal brun	Acetal braun
LR:	Longitud rosca	Thread length	Longueur filetée	Gewindelänge
LT:	Longitud total	Total length	Longueur totale	Gesamtlänge
M:	Rosca Métrica	Metrical thread	Filetage métrique	Gewindedurchmesser
mm:	Milímetros	Millimeter	Millimètres	Millimeter
P:	Paso	Pitch	Pas	Teilung
PA6:	Poliamida	Polyamide	Polyamide	Polyamid
PBT:	Poliéster	Polyester	Polyester	Polyester
PE:	Poliétileno	Polyethylene	Polyéthylène	Polyäthylen
PP+FV:	Polipropileno + FV	Polypropylene + FV	Polypropylène + FV	Polypropylen + Glasfaser
MAT:	Material	Material	Matériel	Material
NI:	Latón Niquelado	Nickel Plated Brass	Laiton nickelé	Vernickelter Messing
Ri:	Sentido de giro inverso	Back bend radius	Sens de courbure inverse	Negativer Umlenkradius
RM:	Radio mínimo de curvatura	Min. curve radius	Rayon de courbure minimal	Mindestkurvenradius
Rd:	Sentido de la marcha	Running direction	Sens de marche	Laufrichtung
S:	Acero	Steel	Acier	Stahl
SS:	Acero Inox. 304 Std.	Stainless Steel 304 Std.	Acier Inox. 304 Std.	Edelstahl 304 Std.
SS303:	Acero Inox. 303 Std.	Stainless Steel 303 Std.	Acier Inox. 303 Std.	Edelstahl 303 Std.
SSS:	Acero Inox. DIN 1.4301 28 HRC	Stainless Steel DIN 1.4301 28 HRC	Acier Inox. DIN 1.4301 28 HRC	Edelstahl DIN 1.4301 28 HRC
SSC:	Acero Inox. Supertenaz	Superior Stainless Steel	Acier Inox. Supertenace	Spezial Edelstahl
STD:	Standard	Standard	Standard	Standard
ZN:	Acero Zincado	Zinc Plated Steel	Acier zingué	Verzinkter Stahl
	Cadenas	Chains	Chaînes	Kettenserie
	Ruedas y carretes a utilizar ver pág.	Sprockets and idlers to use see page.	Roues a utiliser.	Kettenräder und Umlenkrollen siehe Seite.
	Cadena con goma.	Rubber top chain.	Chaîne avec revêtement caoutchouc.	Ketten mit Gummiauflage.
	Cadena Estándar.	Standard chain.	Chaîne standard.	Standard Ketten.
	Cadena de acumulacion.	Accumulation chain.	Chaîne standard.	Stauförderketten.
C	Características	Characteristics	Caractéristiques	Bezeichnung
M	Material	Material	Matériel	Material
	Embalaje recomendado	Recommended packaging	Conditionnement recommandée	Verpackung
	Tornillería	Fasteners	Visserie	Verschraubung
	Eje	Spindle	Tige	Spindel
	Tuerca	Nut	Écrou	Mutter

COD	Pag	COD	Pag	COD	Pag	COD	Pag	COD	Pag	COD	Pag
1411052	B/72	1486505	B/7	336140C	E/3	450 45	C/20	4702517	C/70	6115032	C/101
1482201	A/27	1486526	B/7	336140MTSS	E/9	4601960	C/75	4702523	C/70	6115042	C/80
1482205	A/27	1486620	B/8	348120	E/4	4601971	C/75	4702529	C/70	6117011	C/101
1482209	A/27	1486625	B/8	348120A	E/4	4601973	C/75	4702611	C/70	6117021	C/88
1482211	A/27	1486636	B/8	348120C	E/4	4601980	C/75	4702617	C/70	6117033	C/101
1482212	A/27	2PCG-1	D/18	348125	E/4	4601983	C/75	4702623	C/70	6117043	C/80
1482213	A/27	2PCG-1 SS	D/18	348125A	E/4	4601987	C/75	4702629	C/70	6119012	C/101
1482214	A/27	2PCG-2	D/18	348125C	E/4	4601989	C/75	4703006	C/68	6119022	C/88
1482215	A/27	2PCG-2 SS	D/18	348130	E/4	4601993	C/75	4703024	C/68	6119034	C/101
1482216	A/27	2PCG-3	D/18	348130A	E/4	4601995	C/75	4703040	C/68	6119044	C/80
1482217	A/27	2PCG-3 SS	D/18	348130C	E/4	4601997	C/75	4703058	C/68	6121014	C/101
1482218	A/27	2PCG-4	D/18	348135	E/4	4601998	C/75	4703109	C/68	6121025	C/88
1482221	A/27	2PCG-4 SS	D/18	348135A	E/4	4701001	C/68	4703124	C/68	6121035	C/101
1482222	A/27	2PCG-5	D/18	348135C	E/4	4701002	C/68	4703139	C/68	6121045	C/80
1482223	A/27	2PCG-5 SS	D/18	348140	E/4	4701018	C/68	4703154	C/68	6123015	C/101
1482224	A/27	312120	E/1	348140A	E/4	4701034	C/68	4703214	C/68	6123026	C/88
1482225	A/27	312120A	E/1	348140C	E/4	4701052	C/68	4703229	C/68	6123036	C/101
1482230	A/27	312120C	E/1	351120	E/5	4701200	C/68	4703243	C/68	6123046	C/80
1482231	A/27	312120MTSS	E/9	351120A	E/5	4701307	C/68	4703259	C/68	6125016	C/101
1482232	A/27	312125	E/1	351120C	E/5	4701312	C/68	4704009	C/68	6125027	C/88
1482233	A/27	312125A	E/1	351125	E/5	4701324	C/68	4704027	C/68	6125037	C/101
1482234	A/27	312125C	E/1	351125A	E/5	4701331	C/68	4704043	C/68	6125047	C/80
1482240	A/27	312125MTSS	E/9	351125C	E/5	4701337	C/70	4704061	C/68	6127017	C/101
1482241	A/27	312130	E/1	351130	E/5	4701343	C/70	4704112	C/68	6127038	C/101
1482242	A/27	312130A	E/1	351130A	E/5	4701349	C/70	4704127	C/68	6127048	C/80
1482243	A/27	312130C	E/1	351130C	E/5	4701355	C/70	4704142	C/68	6129039	C/101
1482244	A/27	312130MTSS	E/9	351135	E/5	4701413	C/68	4704157	C/68	6208051	C/104
1482247	A/27	312135	E/1	351135A	E/5	4701415	C/68	4704217	C/68	6209009	C/90
1482248	A/27	312135A	E/1	351135C	E/5	4701426	C/68	4704232	C/68	6209235	C/90
1482249	A/27	312135C	E/1	351140	E/5	4701432	C/68	4704247	C/68	6209239	C/90
1482250	A/27	312135MTSS	E/9	351140A	E/5	4701438	C/70	4704262	C/68	6209243	C/90
1482251	A/27	312140	E/1	351140C	E/5	4701445	C/70	4705012	C/68	6209247	C/90
1482254	A/27	312140A	E/1	362120	E/6	4701451	C/70	4705028	C/68	6209256	C/91
1482255	A/27	312140C	E/1	362120A	E/6	4701457	C/70	4705046	C/68	6209261	C/91
1482256	A/27	312140MTSS	E/9	362120C	E/6	4701507	C/70	4705064	C/68	6209265	C/91
1482257	A/27	324120	E/2	362125	E/6	4701514	C/70	4705115	C/68	6209269	C/91
1482265	A/27	324120A	E/2	362125A	E/6	4701520	C/70	4705130	C/68	6209273	C/91
1482266	A/27	324120C	E/2	362125C	E/6	4701526	C/70	4705145	C/68	6209277	C/102
1482267	A/27	324120MTSS	E/9	362130	E/6	4701608	C/70	4705161	C/68	6209326	C/100
1482268	A/27	324125	E/2	362130A	E/6	4701614	C/70	4705220	C/68	6209331	C/100
1482270	A/27	324125A	E/2	362130C	E/6	4701620	C/70	4705235	C/68	6209335	C/100
1482271	A/27	324125C	E/2	362135	E/6	4701626	C/70	4705250	C/68	6209339	C/100
1482272	A/27	324125MTSS	E/9	362135A	E/6	4701901	C/70	4705265	C/68	6209344	C/100
1482309	A/27	324130	E/2	362135C	E/6	4701907	C/70	4706015	C/68	6209349	C/100
1482311	A/27	324130A	E/2	362140	E/6	4702003	C/68	4706031	C/68	6209353	C/100
1482314	A/27	324130C	E/2	362140A	E/6	4702021	C/68	4706049	C/68	6209357	C/100
1482318	A/27	324130MTSS	E/9	362140C	E/6	4702037	C/68	4706067	C/68	6209362	C/100
1483360	A/28	324135	E/2	375120	E/8	4702055	C/68	4706118	C/68	6210010	C/90
1483361	A/28	324135A	E/2	375125	E/8	4702107	C/68	4706133	C/68	6210052	C/104
1483362	A/28	324135C	E/2	383120	E/7	4702121	C/68	4706148	C/68	6210236	C/90
1483363	A/28	324135MTSS	E/9	383120A	E/7	4702136	C/68	4706164	C/68	6210240	C/90
1483365	A/28	324140	E/2	383120C	E/7	4702151	C/68	4706223	C/68	6210244	C/90
1483366	A/28	324140A	E/2	383125	E/7	4702211	C/68	4706238	C/68	6210248	C/90
1483367	A/28	324140C	E/2	383125A	E/7	4702226	C/68	4706253	C/68	6210257	C/91
1483368	A/28	324140MTSS	E/9	383125C	E/7	4702241	C/68	4706268	C/68	6210262	C/91
1483369	A/28	336120	E/3	383130	E/7	4702256	C/68	550	C/57	6210266	C/91
1483380	A/28	336120A	E/3	383130A	E/7	4702315	C/68	550 132	C/60	6210270	C/91
1483381	A/28	336120C	E/3	383130C	E/7	4702321	C/68	550 L	C/57	6210274	C/91
1483382	A/28	336120MTSS	E/9	383135	E/7	4702327	C/68	550 ML	C/58	6210278	C/102
1483383	A/28	336125	E/3	383135A	E/7	4702334	C/68	550 MLG	C/58	6210327	C/100
1483384	A/28	336125A	E/3	383135C	E/7	4702340	C/70	550 TAB	C/58	6210332	C/100
1483385	A/28	336125C	E/3	393120A	E/8	4702346	C/70	550-LF	C/59	6210336	C/100
1483386	A/28	336125MTSS	E/9	393120C	E/8	4702352	C/70	600 L	C/61	6210340	C/100
1483387	A/28	336130	E/3	393125A	E/8	4702358	C/70	600 TAB	C/61	6210345	C/100
1483390	A/28	336130A	E/3	393125C	E/8	4702417	C/68	610 L	C/62	6210350	C/100
1483391	A/28	336130C	E/3	393130A	E/8	4702423	C/68	610 LC	C/63	6210354	C/100
1483392	A/28	336130MTSS	E/9	393130C	E/8	4702429	C/68	610 LC - E - 508	C/64	6210358	C/100
1483405	A/28	336135	E/3	393135A	E/8	4702435	C/68	610 LC - E - 635	C/64	6210363	C/100
1483406	A/28	336135A	E/3	393135C	E/8	4702441	C/70	610 LC - E - 825	C/64	6210560	C/89
1483407	A/28	336135C	E/3	393140A	E/8	4702448	C/70	610 LC - E - 952	C/64	6210561	C/89
1485470	B/6	336135MTSS	E/9	393140C	E/8	4702454	C/70	610 TAB	C/62	6210562	C/89
1485495	B/6	336140	E/3	400 90	C/20	4702460	C/70	610 TAB C	C/63	6210563	C/89
1485540	B/6	336140A	E/3	450 32	C/20	4702511	C/70	6115020	C/88	6210564	C/89

COD	Pag	COD	Pag	COD	Pag	COD	Pag	COD	Pag	COD	Pag
6211011	C/90	6216384	C/96	6219438	C/87	6221374	C/96	6223664	C/94	6317470	C/81
6211237	C/90	6216385	C/96	6219439	C/87	6221423	C/87	6223665	C/94	6317472	C/81
6211241	C/90	6216465	C/97	6219440	C/80	6221424	C/87	6223666	C/94	6319001	C/79
6211245	C/90	6216466	C/97	6219442	C/80	6221425	C/87	6223667	C/94	6319007	C/79
6211249	C/90	6216467	C/97	6219444	C/80	6221426	C/87	6223668	C/94	6319012	C/79
6211258	C/91	6216468	C/97	6219445	C/80	6221441	C/87	6223698	C/93	6319019	C/79
6211263	C/91	6216540	C/97	6219480	C/94	6221447	C/80	6223699	C/93	6319088	C/81
6211267	C/91	6216541	C/97	6219481	C/94	6221448	C/80	6223700	C/93	6319092	C/81
6211271	C/91	6216542	C/97	6219482	C/94	6221449	C/80	6223705	C/93	6319096	C/81
6211275	C/91	6216543	C/97	6219483	C/94	6221451	C/80	6225060	C/80	6319101	C/81
6211328	C/100	6217033	C/87	6219485	C/97	6221453	C/80	6225072	C/87	6319123	C/85
6211333	C/100	6217056	C/80	6219486	C/97	6221505	C/97	6225180	C/101	6319134	C/85
6211337	C/100	6217200	C/93	6219487	C/97	6221506	C/97	6225311	C/93	6319137	C/85
6211341	C/100	6217201	C/93	6219488	C/97	6221507	C/97	6225312	C/93	6319142	C/85
6211346	C/100	6217202	C/93	6219510	C/84	6221508	C/97	6225313	C/93	6319160	C/102
6211351	C/100	6217203	C/93	6219511	C/84	6221516	C/84	6225314	C/93	6319164	C/102
6211355	C/100	6217415	C/87	6219512	C/84	6221517	C/84	6225431	C/87	6319168	C/102
6211359	C/100	6217416	C/87	6219513	C/84	6221518	C/84	6225432	C/87	6319172	C/102
6211364	C/100	6217417	C/87	6219534	C/87	6221519	C/84	6225433	C/87	6319224	C/83
6212012	C/90	6217418	C/87	6219551	C/97	6221570	C/97	6225434	C/87	6319228	C/83
6212053	C/104	6217419	C/87	6219552	C/97	6221571	C/97	6225436	C/87	6319233	C/83
6212238	C/90	6217454	C/94	6219553	C/97	6221572	C/97	6225496	C/80	6319237	C/83
6212242	C/90	6217455	C/94	6219554	C/97	6221573	C/97	6225497	C/80	6320220	C/92
6212246	C/90	6217456	C/94	6219581	C/82	6221590	C/82	6225498	C/80	6321002	C/79
6212250	C/90	6217457	C/94	6219582	C/82	6221591	C/82	6225500	C/80	6321008	C/79
6212259	C/91	6217602	C/94	6219583	C/82	6221592	C/82	6225503	C/80	6321014	C/79
6212264	C/91	6217603	C/94	6219584	C/82	6221593	C/82	6225529	C/84	6321020	C/79
6212268	C/91	6217604	C/94	6219607	C/94	6221612	C/94	6225530	C/84	6321058	C/79
6212272	C/91	6217605	C/94	6219608	C/94	6221613	C/94	6225531	C/84	6321061	C/79
6212276	C/91	6217624	C/81	6219609	C/94	6221614	C/94	6225532	C/84	6321064	C/79
6212290	C/95	6217650	C/93	6219610	C/94	6221616	C/94	6225605	C/82	6321067	C/79
6212291	C/95	6217655	C/94	6219627	C/81	6221631	C/81	6225606	C/82	6321070	C/79
6212292	C/95	6217683	C/93	6219651	C/93	6221639	C/94	6225607	C/82	6321073	C/82
6212293	C/95	6217684	C/93	6219656	C/94	6221640	C/94	6225608	C/82	6321076	C/82
6212294	C/95	6217685	C/93	6219688	C/93	6221641	C/94	6225642	C/81	6321079	C/82
6212329	C/100	6217686	C/93	6219689	C/93	6221643	C/94	6225654	C/93	6321082	C/82
6212334	C/100	6218302	C/95	6219690	C/93	6221652	C/93	6225659	C/94	6321085	C/82
6212338	C/100	6218303	C/95	6219691	C/93	6221657	C/94	6225667	C/94	6321089	C/81
6212342	C/100	6218304	C/95	6219980	C/80	6221693	C/93	6225668	C/94	6321093	C/81
6212347	C/100	6218305	C/95	6220315	C/95	6221694	C/93	6225669	C/94	6321097	C/81
6212352	C/100	6218306	C/95	6220316	C/95	6221695	C/93	6225670	C/94	6321102	C/81
6212356	C/100	6218387	C/96	6220317	C/95	6221696	C/93	6225671	C/94	6321125	C/85
6212360	C/100	6218388	C/96	6220318	C/95	6223036	C/87	6225672	C/94	6321130	C/85
6212365	C/100	6218389	C/96	6220319	C/95	6223059	C/80	6225673	C/94	6321133	C/85
6212375	C/96	6218390	C/96	6220399	C/96	6223179	C/101	6225674	C/94	6321139	C/85
6212376	C/96	6218391	C/96	6220400	C/96	6223307	C/93	6225724	C/93	6321161	C/102
6212377	C/96	6218470	C/97	6220401	C/96	6223308	C/93	6225725	C/93	6321165	C/102
6212378	C/96	6218471	C/97	6220402	C/96	6223309	C/93	6225726	C/93	6321169	C/102
6212379	C/96	6218472	C/97	6220403	C/96	6223310	C/93	6225727	C/93	6321173	C/102
6212460	C/97	6218473	C/97	6220489	C/97	6223427	C/87	6227061	C/80	6321225	C/83
6212461	C/97	6218545	C/97	6220490	C/97	6223428	C/87	6227647	C/81	6321229	C/83
6212462	C/97	6218546	C/97	6220492	C/97	6223429	C/87	6229063	C/80	6321234	C/83
6212463	C/97	6218547	C/97	6220493	C/97	6223430	C/87	6229649	C/81	6321238	C/83
6212535	C/97	6218548	C/97	6220555	C/97	6223443	C/87	6233255	C/98	6321258	C/83
6212536	C/97	6219057	C/80	6220556	C/97	6223474	C/80	6233260	C/98	6321261	C/83
6212537	C/97	6219177	C/101	6220557	C/97	6223475	C/80	6308187	C/89	6321264	C/83
6212538	C/97	6219210	C/93	6220558	C/97	6223477	C/80	6308188	C/89	6321267	C/83
6215032	C/87	6219211	C/93	6221035	C/87	6223478	C/80	6308601	C/103	6321270	C/83
6215055	C/80	6219212	C/93	6221058	C/80	6223479	C/80	6308603	C/103	6323003	C/79
6215411	C/87	6219213	C/93	6221178	C/101	6223523	C/84	6310181	C/89	6323009	C/79
6215412	C/87	6219308	C/95	6221284	C/93	6223524	C/84	6310182	C/89	6323015	C/79
6215413	C/87	6219309	C/95	6221285	C/93	6223525	C/84	6310609	C/103	6323021	C/79
6215414	C/87	6219310	C/95	6221286	C/93	6223526	C/84	6310612	C/103	6323059	C/79
6215437	C/87	6219311	C/95	6221287	C/93	6223598	C/82	6312124	C/90	6323062	C/79
6215620	C/81	6219312	C/95	6221321	C/95	6223599	C/82	6312127	C/90	6323065	C/79
6216296	C/95	6219393	C/96	6221322	C/95	6223600	C/82	6312128	C/90	6323068	C/79
6216297	C/95	6219394	C/96	6221323	C/95	6223601	C/82	6312132	C/90	6323071	C/79
6216298	C/95	6219395	C/96	6221324	C/95	6223635	C/81	6312140	C/99	6323074	C/82
6216299	C/95	6219396	C/96	6221325	C/95	6223653	C/93	6312144	C/99	6323077	C/82
6216300	C/95	6219397	C/96	6221370	C/96	6223658	C/94	6312148	C/99	6323080	C/82
6216381	C/96	6219420	C/87	6221371	C/96	6223661	C/94	6312152	C/99	6323083	C/82
6216382	C/96	6219421	C/87	6221372	C/96	6223662	C/94	6312155	C/99	6323086	C/82
6216383	C/96	6219422	C/87	6221373	C/96	6223663	C/94	6312207	C/92	6323090	C/81

COD	Pag	COD	Pag	COD	Pag	COD	Pag	COD	Pag	COD	Pag
6323094	C/81	6510140	C/99	6519240	C/109	6523151	C/109	6612085	C/99	6623173	C/79
6323098	C/81	6510144	C/99	6519245	C/109	6523156	C/109	6612086	C/99	6623512	C/82
6323103	C/81	6510310	C/91	6519252	C/107	6523161	C/109	6612087	C/99	6623513	C/82
6323135	C/85	6510311	C/91	6519257	C/107	6523166	C/109	6615809	C/73	6623514	C/82
6323146	C/85	6510312	C/91	6519270	C/107	6523171	C/109	6615815	C/73	6623515	C/82
6323157	C/85	6510313	C/91	6519271	C/107	6523232	C/109	6615820	C/74	6623516	C/82
6323159	C/85	6511134	C/99	6519272	C/107	6523237	C/109	6619007	C/105	6623547	C/83
6323162	C/102	6511137	C/99	6519273	C/107	6523242	C/109	6619013	C/105	6623548	C/83
6323166	C/102	6511141	C/99	6519336	C/107	6523247	C/109	6619019	C/105	6623549	C/83
6323170	C/102	6511145	C/99	6519337	C/107	6523254	C/107	6619025	C/105	6623550	C/83
6323174	C/102	6511317	C/91	6519338	C/107	6523259	C/107	6619107	C/105	6623551	C/83
6323226	C/83	6511318	C/91	6519339	C/107	6523280	C/107	6619112	C/105	6623697	C/106
6323230	C/83	6511319	C/91	6519523	C/108	6523281	C/107	6619119	C/105	6623698	C/106
6323235	C/83	6511320	C/91	6519524	C/108	6523282	C/107	6619125	C/105	6623699	C/106
6323239	C/83	6512135	C/99	6519525	C/108	6523283	C/107	6619686	C/106	6623700	C/106
6323259	C/83	6512138	C/99	6519528	C/108	6523347	C/107	6619687	C/106	6623722	C/106
6323262	C/83	6512142	C/99	6519530	C/108	6523348	C/107	6619688	C/106	6623723	C/106
6323265	C/83	6512146	C/99	6519616	C/108	6523349	C/107	6619689	C/106	6623724	C/106
6323268	C/83	6512324	C/91	6519617	C/108	6523350	C/107	6619710	C/106	6623725	C/106
6323271	C/83	6512325	C/91	6519618	C/108	6523557	C/108	6619711	C/106	6625010	C/105
6325004	C/79	6512326	C/91	6519620	C/108	6523558	C/108	6619712	C/106	6625016	C/105
6325010	C/79	6512327	C/91	6519737	C/95	6523560	C/108	6619713	C/106	6625022	C/105
6325017	C/79	6512720	C/95	6519738	C/95	6523561	C/108	6621008	C/105	6625028	C/105
6325022	C/79	6512721	C/95	6519739	C/95	6523564	C/108	6621014	C/105	6625102	C/105
6325060	C/79	6512722	C/95	6519740	C/95	6523640	C/108	6621020	C/105	6625103	C/105
6325063	C/79	6512723	C/95	6519781	C/96	6523641	C/108	6621026	C/105	6625104	C/105
6325066	C/79	6512765	C/96	6519782	C/96	6523642	C/108	6621092	C/105	6625105	C/105
6325069	C/79	6512766	C/96	6519783	C/96	6523643	C/108	6621093	C/105	6625110	C/105
6325072	C/79	6512767	C/96	6519784	C/96	6525152	C/109	6621094	C/105	6625116	C/105
6325075	C/82	6512768	C/96	6520742	C/95	6525157	C/109	6621095	C/105	6625122	C/105
6325078	C/82	6516726	C/95	6520743	C/95	6525162	C/109	6621108	C/105	6625128	C/105
6325081	C/82	6516727	C/95	6520744	C/95	6525167	C/109	6621114	C/105	6625177	C/79
6325084	C/82	6516728	C/95	6520745	C/95	6525172	C/109	6621120	C/105	6625178	C/79
6325087	C/82	6516728	C/95	6520786	C/96	6525233	C/109	6621126	C/105	6625179	C/79
6325091	C/81	6516770	C/96	6520787	C/96	6525238	C/109	6621160	C/79	6625180	C/79
6325095	C/81	6516771	C/96	6520788	C/96	6525243	C/109	6621161	C/79	6625181	C/79
6325099	C/81	6516772	C/96	6520790	C/96	6525248	C/109	6621162	C/79	6625221	C/85
6325104	C/81	6516773	C/96	6521150	C/109	6525255	C/107	6621163	C/79	6625223	C/85
6325126	C/85	6517148	C/109	6521155	C/109	6525260	C/107	6621164	C/79	6625224	C/85
6325131	C/85	6517153	C/109	6521160	C/109	6525286	C/107	6621501	C/82	6625226	C/85
6325136	C/85	6517158	C/109	6521165	C/109	6525287	C/107	6621502	C/82	6625291	C/86
6325143	C/85	6517163	C/109	6521170	C/109	6525288	C/107	6621503	C/82	6625292	C/86
6325163	C/102	6517168	C/109	6521231	C/109	6525289	C/107	6621504	C/82	6625294	C/86
6325167	C/102	6517251	C/107	6521236	C/109	6525352	C/107	6621505	C/82	6625297	C/86
6325171	C/102	6517256	C/107	6521241	C/109	6525353	C/107	6621536	C/83	6625520	C/82
6325175	C/102	6517265	C/107	6521246	C/109	6525354	C/107	6621537	C/83	6625521	C/82
6325227	C/83	6517266	C/107	6521253	C/107	6525355	C/107	6621538	C/83	6625522	C/82
6325231	C/83	6517267	C/107	6521258	C/107	6525572	C/108	6621539	C/83	6625523	C/82
6325236	C/83	6517268	C/107	6521275	C/107	6525573	C/108	6621541	C/83	6625524	C/82
6325240	C/83	6517330	C/107	6521276	C/107	6525575	C/108	6621691	C/106	6625557	C/83
6325260	C/83	6517331	C/107	6521277	C/107	6525577	C/108	6621692	C/106	6625558	C/83
6325263	C/83	6517332	C/107	6521278	C/107	6525579	C/108	6621693	C/106	6625559	C/83
6325266	C/83	6517333	C/107	6521341	C/107	6525650	C/108	6621694	C/106	6625560	C/83
6325269	C/83	6517501	C/108	6521342	C/107	6525652	C/108	6621716	C/106	6625562	C/83
6325272	C/83	6517502	C/108	6521343	C/107	6525653	C/108	6621717	C/106	6625703	C/106
6325407	C/85	6517504	C/108	6521344	C/107	6525655	C/108	6621718	C/106	6625704	C/106
6325408	C/85	6517505	C/108	6521541	C/108	6525705	C/106	6621719	C/106	6625706	C/106
6325409	C/85	6517506	C/108	6521542	C/108	6533705	C/74	6623009	C/105	6625730	C/106
6325411	C/85	6518731	C/95	6521544	C/108	6533716	C/74	6623015	C/105	6625731	C/106
6325420	C/86	6518732	C/95	6521547	C/108	6608135	C/89	6623021	C/105	6625732	C/106
6325421	C/86	6518733	C/95	6521549	C/108	6608136	C/89	6623027	C/105	6625734	C/106
6325422	C/86	6518734	C/95	6521628	C/108	6608791	C/103	6623099	C/105	7640001	B/69
6325424	C/86	6518776	C/96	6521629	C/108	6608794	C/103	6623100	C/105	7640002	B/69
6509131	C/99	6518777	C/96	6521630	C/108	6610089	C/89	6623101	C/105	7640003	B/69
6509133	C/99	6518778	C/96	6521632	C/108	6610090	C/89	6623109	C/105	7640004	B/69
6509139	C/99	6518779	C/96	6521750	C/95	6610797	C/103	6623115	C/105	7640005	B/69
6509143	C/99	6519149	C/109	6521751	C/95	6610799	C/103	6623117	C/105	7640006	B/69
6509302	C/91	6519154	C/109	6521752	C/95	6612063	C/90	6623121	C/105	7640007	B/69
6509303	C/91	6519159	C/109	6521754	C/95	6612064	C/90	6623127	C/105	7640008	B/69
6509304	C/91	6519164	C/109	6521792	C/96	6612065	C/90	6623169	C/79	7640051	B/73
6509305	C/91	6519169	C/109	6521793	C/96	6612066	C/90	6623170	C/79	7640052	B/73
6510132	C/99	6519230	C/109	6521794	C/96	6612083	C/99	6623171	C/79	7640053	B/73
6510136	C/99	6519235	C/109	6521795	C/96	6612084	C/99	6623172	C/79	7640059	B/72

COD	Pag	COD	Pag	COD	Pag	COD	Pag	COD	Pag	COD	Pag
7640060	B/72	7807015	F/8	8010204	B/15	8110093NV	B/28	8115073	B/31	8210026	B/42
7640110	B/71	7807515	F/8	8010211	B/15	8110094NV	B/28	8115074	B/31	8210027	B/42
7640146	B/39	7808212	F/19	8010212	B/15	8110095NV	B/28	8115075	B/31	8210028	B/42
7640147	B/39	7808214	F/19	8010214	B/15	8110096NV	B/28	8115076	B/31	8210038	B/41
7640148	B/39	7808270	F/19	8010215	B/15	8110097NV	B/28	8115160	B/30	8210039	B/41
7640149	B/39	7808505	F/7	8010220	B/18	8110137	B/29	8115161	B/30	8210040	B/41
7640152	B/39	7808510	F/7	8010221	B/18	8110138	B/29	8115163	B/30	8210050	B/43
7640154	B/39	7808512	F/7	8010222	B/18	8110139	B/29	8115175	B/30	8210051	B/43
7640157	B/39	7808515	F/7	8010223	B/18	8110142	B/29	8115176	B/30	8210052	B/43
7640160	B/39	7808520	F/7	8010224	B/18	8110143	B/29	8115178	B/30	8210071	B/43
7640162	B/39	7808550	F/21	8010230	B/16	8110144	B/29	8115185	B/30	8210072	B/43
7640163	B/39	7808560	F/14	8010231	B/16	8110150	B/29	8115186	B/30	8210073	B/43
7640174	B/39	7808591	F/21	8010232	B/16	8110151	B/29	8115187	B/30	8210074	B/44
7640176	B/39	7808594	F/21	8010233	B/16	8110152	B/29	8115190	B/30	8210075	B/44
7640179	B/39	7808611	F/7	8010234	B/16	8110156	B/29	8115191	B/30	8210076	B/44
7640180	B/39	7809010	B/74	8010235	B/15	8110157	B/29	8115193	B/30	8210086	B/44
7640183	B/39	7809011	B/74	8010236	B/17	8110158	B/29	8120085	B/39	8210087	B/44
7640208	B/75	7809012	B/74	8010237	B/15	8110201	B/27	8120101	B/38	8210088	B/44
7640209	B/75	7809013	B/74	8010238	B/15	8110205	B/27	8120102	B/38	8210095	B/42
7640301	B/71	7809014	B/74	8010239	B/15	8110210	B/27	8120103	B/38	8210097	B/42
7640312	B/71	7809210	B/74	8010241	B/16	8110212	B/27	8120107	B/38	8210109	B/43
7640315	B/71	7809310	B/74	8010271	B/17	8110215	B/27	8120108	B/38	8210112	B/45
7640327	F/20	7809410	B/74	8010315	B/18	8110221	B/27	8120109	B/38	8210121	B/46
7640330	F/20	7810110	B/75	8010340	B/18	8110231	B/27	8120122	B/38	8210125	B/46
7640335	F/20	7810111	B/75	8010371	B/17	8110234	B/27	8120123	B/38	8210129	B/48
7640405	B/70	7810112	B/75	8010401	B/20	8110263	B/28	8120124	B/38	8210133	B/48
7640410	B/70	7810129	B/75	8010416	B/20	8110264	B/28	8120129	B/38	8210134	B/49
7640415	B/70	7810130	B/75	8010420	B/20	8110265	B/28	8120130	B/38	8210138	B/50
7640501	B/73	7810131	B/75	8010429	B/20	8110268	B/28	8120131	B/38	8210142	B/49
7641215	B/70	7810210	B/76	8015225	B/18	8110269	B/28	8120301	B/38	8210146	B/50
7641220	B/70	7810211	B/76	8015226	B/18	8110270	B/28	8120302	B/38	8210151	B/47
7641515	B/70	7810212	B/76	8015227	B/18	8110272	B/28	8120303	B/38	8210155	B/47
7641520	B/70	7810220	B/76	8015228	B/18	8110273	B/28	8120304	B/38	8210157	B/51
7645101	B/70	7810221	B/76	8015250	B/18	8110274	B/28	8120307	B/38	8210161	B/51
7645301	B/8	7811220	F/11	8015260	B/19	8110276	B/28	8120308	B/38	8210165	B/52
7701015	F/4	7811222	F/11	8025101	B/13	8110277	B/28	8120309	B/38	8210169	B/52
7701020	F/4	7821020	F/18	8025102N	B/14	8110278	B/28	8120310	B/38	8210184	B/43
7701215	F/5	7825211	F/18	8025102V	B/14	8115036	B/32	8120315	B/38	8210212	B/41
7701220	F/5	7825214	F/18	8025103	B/14	8115037	B/32	8120316	B/38	8210239	B/44
7701415	F/5	7825217	F/18	8025104	B/12	8115038	B/30	8120317	B/38	8210261	B/44
7701420	F/5	7825225	F/18	8025105	B/12	8115039	B/30	8120318	B/38	8210270	B/55
7701915	F/6	7830611	F/12	8025140	B/13	8115040	B/30	8120562	B/36	8210277	B/56
7701920	F/6	7830631	F/12	8025601	B/9	8115041	B/30	8120563	B/36	8210317	B/41
7702015	F/1	7830645	F/12	8025615	B/10	8115042	B/30	8120564	B/36	8210367	B/54
7702020	F/1	7830650	F/12	8025621	B/10	8115043	B/30	8120570	B/36	8210450	B/44
7702115	F/1	7830814	F/12	8025630	B/9	8115044	B/31	8120571	B/36	8210456	B/44
7702120	F/1	7830823	F/12	8025645	B/11	8115045	B/31	8120575	B/36	8210461	B/52
7702215	F/2	7830824	F/12	8025650	B/11	8115046	B/31	8120576	B/36	8210525	B/45
7702220	F/2	8010022	B/19	8040501	B/57	8115047	B/31	8120577	B/36	8214620	B/53
7702315	F/2	8010023	B/19	8040535	B/57	8115048	B/31	8120691	B/37	8214680	B/53
7702320	F/2	8010024	B/15	8040560	B/58	8115049	B/31	8120692	B/37	8214691	B/53
7703015	F/3	8010026	B/15	8040581	B/58	8115051	B/31	8120693	B/37	8220301	B/40
7703020	F/3	8010027	B/15	8110012	B/32	8115052	B/31	8120694	B/37	8220302	B/40
7704015	F/4	8010028	B/15	8110015	B/29	8115053	B/31	8120696	B/37	8220303	B/40
7704020	F/4	8010032	B/19	8110018	B/29	8115054	B/31	8120697	B/37	8220304	B/40
7709015	F/3	8010035	B/19	8110019	B/29	8115055	B/31	8120705	B/37	8220321	B/40
7709020	F/3	8010055	B/19	8110020	B/29	8115056	B/31	8120706	B/37	8220322	B/40
7713015	F/14	8010057	B/19	8110021	B/29	8115057	B/32	8120707	B/37	8220335	B/40
7713020	F/14	8010106	B/17	8110022	B/29	8115058	B/32	8120708	B/37	8220336	B/40
7714015	F/13	8010107	B/17	8110023	B/29	8115059	B/30	8160410	B/34	8220337	B/40
7714020	F/13	8010108	B/17	8110024	B/29	8115060	B/30	8160416	B/34	8220338	B/40
7715015	F/15	8010109	B/17	8110025	B/29	8115061	B/30	8160425	B/34	8220339	B/40
7715020	F/15	8010114	B/17	8110026	B/29	8115062	B/30	8160439	B/34	8220340	B/40
7715215	F/16	8010115	B/17	8110027	B/29	8115063	B/30	8161450	B/33	8220341	B/40
7715220	F/16	8010116	B/17	8110028	B/29	8115064	B/30	8162467	B/33	8220342	B/40
7755015	F/17	8010117	B/17	8110029	B/29	8115065	B/31	8190801	B/35	8220343	B/40
7755020	F/17	8010120	B/17	8110030NV	B/28	8115066	B/31	8190807	B/35	8220344	B/40
7801020	F/9	8010121	B/17	8110031NV	B/28	8115067	B/31	8190808	B/35	8220345	B/40
7801120	F/9	8010122	B/17	8110032NV	B/28	8115068	B/31	8190810	B/35	8220346	B/40
7801520	F/9	8010123	B/17	8110033NV	B/28	8115069	B/31	8190815	B/36	8220380	B/40
7801620	F/9	8010201	B/15	8110034NV	B/28	8115070	B/31	8210014	B/42	8220385	B/40
7802020	F/10	8010202	B/15	8110035NV	B/28	8115071	B/31	8210015	B/42	8220801	B/25
7802120	F/10	8010203	B/15	8110092NV	B/28	8115072	B/31	8210016	B/42	8220805	B/25

COD	Pag	COD	Pag	COD	Pag	COD	Pag	COD	Pag	COD	Pag
8220811	B/25	8240079	B/44	8240290	B/56	8330650	B/64	8540441	A/24	8718081	A/3
8220819	B/25	8240080	B/44	8240292	B/56	8330663	B/64	8540447	A/24	8718083	A/3
8222780	B/40	8240081	B/44	8240294	B/56	8330740	B/66	8551615	A/25	8718084	A/3
8222790	B/40	8240082	B/44	8310005	A/1	8330745	B/66	8551621	A/25	8718086	A/3
8225207	B/62	8240083	B/44	8310008	A/1	8330746	B/66	8551626	A/25	8718092	A/3
8225311	B/62	8240084	B/44	8310010	A/1	8330748	B/66	8551639	A/25	8718094	A/3
8225312	B/62	8240085	B/44	8310012	A/1	8330750	B/66	8551645	A/25	8718095	A/3
8225314	B/62	8240088	B/42	8310023	A/1	8330890	B/67	8551653	A/25	8718100	A/3
8226218	B/62	8240089	B/42	8310024	A/1	8330895	B/67	8551666	A/25	8718102	A/3
8226219	B/62	8240090	B/42	8310025	A/1	8330896	B/67	8551669	A/25	8718103	A/3
8235324	B/5	8240091	B/42	8310026	A/1	8330897	B/67	8551677	A/25	8718105	A/3
8235325	B/5	8240092	B/42	8310037	A/1	8330899	B/67	8551690	A/25	8718107	A/3
8235327	B/5	8240093	B/42	8310038	A/1	8330901	B/68	8551693	A/25	8718109	A/3
8235329	B/5	8240114	B/45	8310039	A/1	8330905	B/68	8551698	A/25	8718111	A/3
8235331	B/5	8240115	B/45	8310040	A/1	8340349	B/60	8551704	A/25	8718112	A/3
8235334	B/5	8240116	B/45	8310057	A/2	8340350	B/60	8717014	A/3	8718113	A/3
8235350	B/5	8240118	B/45	8310058	A/2	8340359	B/60	8717015	A/3	8718114	A/3
8235351	B/5	8240119	B/45	8310059	A/2	8340360	B/60	8717018	A/3	8718217	A/4
8235352	B/5	8240120	B/45	8310060	A/2	8340380	B/61	8717022	A/3	8718218	A/4
8235353	B/5	8240122	B/46	8310061	A/2	8340385	B/61	8717023	A/3	8718223	A/4
8235354	B/5	8240123	B/46	8310062	A/2	8360501	B/2	8717027	A/3	8718225	A/4
8235361	B/5	8240124	B/46	8310063	A/2	8360530	B/2	8717029	A/3	8718226	A/4
8235381	B/5	8240126	B/46	8330045	B/2	8370401	F/19	8717030	A/3	8718233	A/4
8235386	B/5	8240127	B/46	8330046	B/2	8370415	F/19	8717032	A/3	8718235	A/4
8235390	B/5	8240128	B/46	8330047	B/2	8370455	F/20	8717033	A/3	8718236	A/4
8235395	B/5	8240130	B/48	8330048	B/2	8411652	B/25	8717034	A/3	8718238	A/4
8240017	B/42	8240131	B/48	8330049	B/2	8411654	B/25	8717036	A/3	8718240	A/4
8240018	B/42	8240132	B/48	8330050	B/2	8411657	B/26	8717043	A/3	8718241	A/4
8240019	B/42	8240135	B/49	8330052	B/3	8411660	B/26	8717045	A/3	8718243	A/4
8240020	B/42	8240136	B/49	8330053	B/3	8412790	B/25	8717046	A/3	8718249	A/4
8240021	B/42	8240137	B/49	8330054	B/3	8412792	B/25	8717052	A/3	8718251	A/4
8240022	B/42	8240139	B/50	8330055	B/3	8412795	B/26	8717054	A/3	8718252	A/4
8240023	B/42	8240140	B/50	8330071	B/4	8412797	B/26	8717055	A/3	8718257	A/4
8240024	B/42	8240141	B/50	8330082	B/4	8413877	B/25	8717057	A/3	8718259	A/4
8240025	B/42	8240143	B/49	8330112	B/3	8413879	B/25	8717058	A/3	8718260	A/4
8240029	B/42	8240144	B/49	8330114	B/3	8413881	B/26	8717060	A/3	8718263	A/4
8240030	B/42	8240145	B/49	8330119	B/1	8413883	B/26	8717062	A/3	8718265	A/4
8240031	B/42	8240147	B/50	8330121	B/1	8417387	B/77	8717063	A/3	8718266	A/4
8240032	B/42	8240148	B/50	8330125	B/1	8417387	F/25	8717064	A/3	8718268	A/4
8240033	B/42	8240149	B/50	8330126	B/1	8417389	B/77	8717065	A/3	8718269	A/4
8240034	B/42	8240152	B/47	8330135	B/1	8417389	F/25	8717223	A/4	8718270	A/4
8240035	B/42	8240153	B/47	8330187	B/66	8417392	B/77	8717224	A/4	8718271	A/4
8240036	B/42	8240154	B/47	8330189	B/66	8417392	F/25	8717227	A/4	8725450	A/5
8240037	B/42	8240156	B/47	8330191	B/66	8427104	B/21	8717231	A/4	8725453	A/5
8240041	B/41	8240158	B/51	8330194	B/66	8427160	B/22	8717232	A/4	8725457	A/5
8240042	B/41	8240159	B/51	8330195	B/66	8427165	B/22	8717236	A/4	8725458	A/5
8240043	B/41	8240160	B/51	8330196	B/66	8427190	B/21	8717238	A/4	8725459	A/5
8240044	B/41	8240162	B/51	8330197	B/66	8429412	B/23	8717239	A/4	8725462	A/5
8240045	B/41	8240163	B/51	8330198	B/66	8429480	B/24	8717241	A/4	8725475	A/5
8240046	B/41	8240164	B/51	8330199	B/66	8531050	A/23	8717242	A/4	8725477	A/5
8240047	B/41	8240166	B/52	8330201	B/66	8531056	A/23	8717243	A/4	8725479	A/5
8240048	B/41	8240167	B/52	8330202	B/66	8531061	A/23	8717245	A/4	8725483	A/5
8240049	B/41	8240168	B/52	8330215	B/67	8531074	A/23	8717251	A/4	8725486	A/5
8240053	B/43	8240170	B/43	8330216	B/67	8531080	A/23	8717253	A/4	8725489	A/5
8240054	B/43	8240171	B/43	8330217	B/67	8531088	A/23	8717254	A/4	8725491	A/5
8240055	B/43	8240172	B/43	8330221	B/65	8531101	A/23	8717260	A/4	8725494	A/5
8240056	B/43	8240173	B/47	8330222	B/65	8531104	A/23	8717262	A/4	8725496	A/5
8240057	B/43	8240174	B/47	8330223	B/65	8531112	A/23	8717263	A/4	8725498	A/5
8240058	B/43	8240191	B/43	8330227	B/65	8531125	A/23	8717265	A/4	8725502	A/5
8240059	B/43	8240192	B/43	8330228	B/65	8531128	A/23	8717266	A/4	8725503	A/5
8240060	B/43	8240193	B/43	8330229	B/65	8531133	A/23	8717268	A/4	8725505	A/5
8240061	B/43	8240211	B/41	8330237	B/63	8531139	A/23	8717270	A/4	8725507	A/5
8240062	B/43	8240214	B/41	8330270	B/68	8540358	A/24	8717271	A/4	8725511	A/5
8240063	B/43	8240215	B/41	8330271	B/68	8540364	A/24	8717272	A/4	8725512	A/5
8240064	B/43	8240231	B/41	8330273	B/68	8540369	A/24	8717273	A/4	8725516	A/5
8240065	B/43	8240232	B/41	8330275	B/68	8540382	A/24	8718060	A/3	8725519	A/5
8240066	B/43	8240233	B/41	8330301	B/63	8540388	A/24	8718061	A/3	8725526	A/5
8240067	B/43	8240251	B/44	8330303	B/63	8540396	A/24	8718066	A/3	8725528	A/5
8240068	B/43	8240252	B/44	8330305	B/63	8540409	A/24	8718068	A/3	8725531	A/5
8240069	B/43	8240253	B/44	8330306	B/63	8540412	A/24	8718069	A/3	8725537	A/5
8240070	B/43	8240271	B/55	8330308	B/63	8540420	A/24	8718076	A/3	8725539	A/5
8240077	B/44	8240272	B/55	8330310	B/63	8540433	A/24	8718078	A/3	8725541	A/5
8240078	B/44	8240273	B/55	8330648	B/64	8540436	A/24	8718079	A/3	8725544	A/5

COD	Pag	COD	Pag	COD	Pag	COD	Pag	COD	Pag	COD	Pag
8726555	A/5	8732356	A/6	8741151	A/8	8743255	A/8	8751748	A/9	8752461	A/12
8726557	A/5	8732357	A/6	8741152	A/8	8743268	A/8	8751772	A/11	8752462	A/12
8726560	A/5	8732358	A/6	8741153	A/8	8743270	A/8	8751773	A/11	8752463	A/12
8726562	A/5	8732359	A/6	8741154	A/8	8743272	A/8	8751774	A/11	8752477	A/12
8726564	A/5	8734351	A/6	8741156	A/8	8743305	A/7	8751775	A/11	8752478	A/12
8726570	A/5	8734352	A/6	8741157	A/8	8743309	A/7	8751780	A/11	8752479	A/12
8726573	A/5	8734353	A/6	8741158	A/8	8743313	A/7	8751781	A/11	8752481	A/12
8726574	A/5	8734354	A/6	8741159	A/8	8743360	A/7	8751782	A/11	8752482	A/12
8726577	A/5	8734355	A/6	8741161	A/8	8743362	A/7	8751787	A/11	8752483	A/12
8726579	A/5	8734357	A/6	8741162	A/8	8743364	A/7	8751789	A/11	8752485	A/12
8726581	A/5	8734358	A/6	8741163	A/8	8745432	A/10	8751792	A/11	8752486	A/12
8726583	A/5	8734359	A/6	8741164	A/8	8750085	A/9	8751807	A/11	8752487	A/12
8726584	A/5	8734361	A/6	8741175	A/8	8750086	A/9	8751808	A/11	8752488	A/12
8726587	A/5	8734362	A/6	8741177	A/8	8750087	A/9	8751809	A/11	8752490	A/12
8726589	A/5	8734363	A/6	8741179	A/8	8750088	A/9	8751810	A/11	8752491	A/12
8726591	A/5	8734364	A/6	8741182	A/8	8750093	A/9	8751815	A/11	8752492	A/12
8726752	A/5	8734366	A/6	8741184	A/8	8750094	A/9	8751816	A/11	8752493	A/12
8726754	A/5	8734367	A/6	8741186	A/8	8750095	A/9	8751817	A/11	8752495	A/12
8726755	A/5	8734368	A/6	8741195	A/7	8750100	A/9	8751822	A/11	8752496	A/12
8726758	A/5	8734369	A/6	8741197	A/7	8750101	A/9	8751824	A/11	8752497	A/12
8726760	A/5	8734371	A/6	8741199	A/7	8750102	A/9	8751827	A/11	8752498	A/12
8726761	A/5	8734372	A/6	8741201	A/7	8750114	A/9	8751828	A/11	8754422	A/10
8726764	A/5	8734373	A/6	8741205	A/7	8750115	A/9	8752372	A/10	8754423	A/10
8726765	A/5	8734374	A/6	8741210	A/7	8750116	A/9	8752373	A/10	8754424	A/10
8726769	A/5	8734388	A/6	8741214	A/7	8750117	A/9	8752374	A/10	8754426	A/10
8726770	A/5	8734389	A/6	8741216	A/7	8750122	A/9	8752376	A/10	8754427	A/10
8726773	A/5	8734390	A/6	8743170	A/7	8750123	A/9	8752377	A/10	8754428	A/10
8726778	A/5	8734392	A/6	8743171	A/7	8750124	A/9	8752378	A/10	8754430	A/10
8726780	A/5	8734393	A/6	8743174	A/7	8750129	A/9	8752380	A/10	8754431	A/10
8726782	A/5	8734394	A/6	8743176	A/7	8750130	A/9	8752381	A/10	8754433	A/10
8726784	A/5	8734396	A/6	8743177	A/7	8750131	A/9	8752382	A/10	8754435	A/10
8732250	A/6	8734397	A/6	8743179	A/7	8750132	A/9	8752383	A/10	8754436	A/10
8732258	A/10	8734398	A/6	8743181	A/7	8750155	A/11	8752385	A/10	8754437	A/10
8732266	A/14	8734399	A/6	8743182	A/7	8750156	A/11	8752386	A/10	8754438	A/10
8732274	A/18	8734401	A/6	8743183	A/7	8750157	A/11	8752387	A/10	8754440	A/10
8732281	A/6	8734402	A/6	8743184	A/7	8750158	A/11	8752388	A/10	8754441	A/10
8732289	A/10	8734403	A/6	8743186	A/7	8750163	A/11	8752390	A/10	8754442	A/10
8732295	A/14	8734404	A/6	8743187	A/7	8750164	A/11	8752391	A/10	8754443	A/10
8732299	A/18	8734406	A/6	8743188	A/7	8750165	A/11	8752392	A/10	8754457	A/10
8732301	A/6	8734407	A/6	8743189	A/7	8750170	A/11	8752393	A/10	8754458	A/10
8732302	A/6	8734408	A/6	8743191	A/7	8750172	A/11	8752407	A/10	8754459	A/10
8732303	A/6	8734409	A/6	8743193	A/7	8750175	A/11	8752408	A/10	8754461	A/10
8732304	A/6	8741101	A/7	8743194	A/7	8750190	A/11	8752409	A/10	8754462	A/10
8732305	A/6	8741102	A/7	8743196	A/7	8750191	A/11	8752411	A/10	8754463	A/10
8732307	A/6	8741105	A/7	8743197	A/7	8750192	A/11	8752412	A/10	8754465	A/10
8732308	A/6	8741107	A/7	8743198	A/7	8750193	A/11	8752413	A/10	8754466	A/10
8732309	A/6	8741108	A/7	8743199	A/7	8750198	A/11	8752415	A/10	8754467	A/10
8732311	A/6	8741110	A/7	8743220	A/8	8750199	A/11	8752416	A/10	8754468	A/10
8732312	A/6	8741112	A/7	8743221	A/8	8750200	A/11	8752417	A/10	8754470	A/10
8732313	A/6	8741113	A/7	8743224	A/8	8750205	A/11	8752418	A/10	8754471	A/10
8732314	A/6	8741115	A/7	8743226	A/8	8750207	A/11	8752420	A/10	8754472	A/10
8732316	A/6	8741117	A/7	8743227	A/8	8750210	A/11	8752421	A/10	8754473	A/10
8732317	A/6	8741118	A/7	8743229	A/8	8750211	A/11	8752422	A/10	8754475	A/10
8732318	A/6	8741120	A/7	8743230	A/8	8751701	A/9	8752423	A/10	8754476	A/10
8732319	A/6	8741122	A/7	8743231	A/8	8751702	A/9	8752425	A/10	8754477	A/10
8732321	A/6	8741124	A/7	8743232	A/8	8751703	A/9	8752426	A/10	8754478	A/10
8732322	A/6	8741125	A/7	8743233	A/8	8751704	A/9	8752427	A/10	8754492	A/12
8732323	A/6	8741127	A/7	8743234	A/8	8751709	A/9	8752428	A/10	8754493	A/12
8732324	A/6	8741128	A/7	8743235	A/8	8751710	A/9	8752442	A/12	8754494	A/12
8732338	A/6	8741129	A/7	8743236	A/8	8751711	A/9	8752443	A/12	8754496	A/12
8732339	A/6	8741130	A/7	8743237	A/8	8751716	A/9	8752444	A/12	8754497	A/12
8732340	A/6	8741135	A/8	8743238	A/8	8751717	A/9	8752446	A/12	8754498	A/12
8732342	A/6	8741136	A/8	8743239	A/8	8751718	A/9	8752447	A/12	8754500	A/12
8732343	A/6	8741139	A/8	8743241	A/8	8751730	A/9	8752448	A/12	8754501	A/12
8732344	A/6	8741141	A/8	8743242	A/8	8751731	A/9	8752450	A/12	8754502	A/12
8732346	A/6	8741142	A/8	8743243	A/8	8751732	A/9	8752451	A/12	8754503	A/12
8732347	A/6	8741144	A/8	8743244	A/8	8751733	A/9	8752452	A/12	8754505	A/12
8732348	A/6	8741145	A/8	8743246	A/8	8751738	A/9	8752453	A/12	8754506	A/12
8732349	A/6	8741146	A/8	8743247	A/8	8751739	A/9	8752455	A/12	8754507	A/12
8732351	A/6	8741147	A/8	8743248	A/8	8751740	A/9	8752456	A/12	8754508	A/12
8732352	A/6	8741148	A/8	8743249	A/8	8751745	A/9	8752457	A/12	8754510	A/12
8732353	A/6	8741149	A/8	8743251	A/8	8751746	A/9	8752458	A/12	8754511	A/12
8732354	A/6	8741150	A/8	8743253	A/8	8751747	A/9	8752460	A/12	8754512	A/12

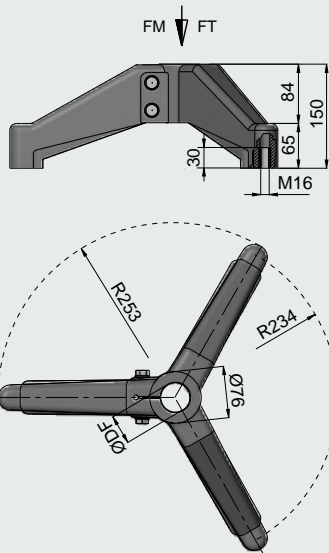
COD	Pag	COD	Pag	COD	Pag	COD	Pag	COD	Pag	COD	Pag
8774748	A/18	8790560	A/21	C15003	C/67	CSS 30040L2	D/16	GHGE 06.SS	D/21	HCG 6030.SS	D/22
8774762	A/20	8790571	A/21	C15004	C/67	CSS 30045	D/16	GHGE 08	D/21	KV725301	C/33
8774763	A/20	8790670	A/21	C16101	C/67	CSS 30046	D/16	GHGE 08.SS	D/21	KV725301TAB	C/33
8774764	A/20	8790673	A/21	C16501	C/67	CSS 30060	D/16	GHGE 10	D/21	KV820 250	C/21
8774766	A/20	8790705	A/21	C16502	C/67	CSS1010X05	B/54	GHGE 10.SS	D/21	KV820 325	C/21
8774767	A/20	8790708	A/21	C16503	C/67	CT 10 Z	D/22	GHGE 13	D/21	KV820 330	C/21
8774768	A/20	8790719	A/21	C16504	C/67	CT 13 A	D/22	GHGE 13.SS	D/21	KV820 350	C/21
8774770	A/20	8790723	A/21	C18601	C/67	CT 15 E	D/22	GHLCG-1	D/20	KV820 400	C/21
8774771	A/20	8790732	A/21	C18602	C/67	CT 17 B	D/22	GHLCG-1.SS	D/20	KV820 450	C/21
8774772	A/20	8790735	A/21	C18603	C/67	CT 22 C	D/22	GHLCG-2	D/20	KV820 600	C/21
8774773	A/20	8792810	A/21	C18604	C/67	CT 30 D	D/22	GHLCG-2.SS	D/20	KV820 750	C/21
8774775	A/20	8792817	A/21	C25501	C/67	CTCG 10 Z	D/23	GHLCG-3	D/20	KV828 325	C/22
8774776	A/20	8792832	A/21	C25502	C/67	CTCG 10 Z.SS	D/23	GHLCG-3.SS	D/20	KV828 330	C/22
8774777	A/20	8792837	A/21	C25503	C/67	CTCG 13 A	D/23	GHLCG-4	D/20	KV831 325	C/21
8774778	A/20	8792843	A/21	C25504	C/67	CTCG 13 A.SS	D/23	GHLCG-4.SS	D/20	KV831 450	C/21
8774780	A/20	8792849	A/21	C26101	C/67	CTCG 15 E	D/23	GHLCG-5	D/20	KV831 750	C/21
8774781	A/20	8792870	A/21	C26501	C/67	CTCG 15 E.SS	D/23	GHLCG-5.SS	D/20	KV8257 0750	C/23
8774782	A/20	8792875	A/21	C26502	C/67	CTCG 17 B	D/23	GHLCG-6	D/20	KV8257 1000	C/23
8774783	A/20	8792881	A/21	C26503	C/67	CTCG 17 B.SS	D/23	GHLCG-6.SS	D/20	KV8257 1200	C/23
8774797	A/20	8792885	A/21	C26504	C/67	CTCG 22 C	D/23	GHLCG-7	D/20	KV879 325	C/28
8774798	A/20	8792901	A/21	C2919SS.15	B/59	CTCG 22 C.SS	D/23	GHLCG-7.SS	D/20	KV879 325 TAB	C/27
8774799	A/20	8792906	A/21	C2919SS.20	B/59	CTCG 30 D	D/23	GHLCG-8	D/20	KV879 450	C/28
8774801	A/20	8792925	A/21	C36101	C/67	CTCG 30 D.SS	D/23	GHLCG-8.SS	D/20	KV879 450 TAB	C/27
8774802	A/20	8792928	A/21	C36501	C/67	CTCGA	D/23	GHLCG-9	D/20	KV879M 325	C/29
8774803	A/20	8792940	A/21	COR 04	D/22	D-1	D/17	GHLCG-9.SS	D/20	KV879M 450	C/29
8774805	A/20	8792946	A/21	COR 05	D/22	D-2	D/17	GME 06	D/21	KV880 250 TAB	C/27
8774806	A/20	903	C/22	COR 06	D/22	D-3	D/17	GME 08	D/21	KV880 325	C/28
8774807	A/20	903	C/23	COR 08	D/22	D-315	D/17	GME 10	D/21	KV880 325 TAB	C/27
8774808	A/20	904	C/22	COR 10	D/22	D-4	D/17	GME 13	D/21	KV880 450	C/28
8774810	A/20	904	C/23	COR 12	D/22	D-415	D/17	GR 1100C	C/69	KV880 450 TAB	C/27
8774811	A/20	905	C/22	COR 15	D/22	D-5	D/17	GR 1100TAB	C/69	KV880M 325	C/29
8774812	A/20	905	C/23	COR 20	D/22	D-520	D/17	GR 2130C	C/69	KV880M 450	C/29
8774813	A/20	A12051L2	D/13	CORCG 04	D/23	D-6	D/17	GR 2130TAB	C/69	KV882 0325 TAB	C/32
8774815	A/20	A12051L3	D/13	CORCG 04.SS	D/23	D-620	D/17	GR 3200C	C/69	KV882 0450 TAB	C/32
8774816	A/20	A12051L6	D/13	CORCG 05	D/23	D-7	D/17	GR 3200TAB	C/69	KV882 0750 TAB	C/32
8774817	A/20	A12052L2	D/14	CORCG 05.SS	D/23	D-8	D/17	GR 4130 TAB	C/71	KV882 1000 TAB	C/32
8774818	A/20	A12052L3	D/14	CORCG 06	D/23	D-9	D/17	GR 5200 TAB	C/71	KV882 1200 TAB	C/32
8781105	A/22	A12052L6	D/14	CORCG 06.SS	D/23	GCP	D/23	GR 6270 TAB	C/71	KV882M 0750	C/32
8781120	A/22	AW 550 - E - 600	C/59	CORCG 08	D/23	GCPCG	D/23	GR 7320 TAB	C/71	KV882M 1000	C/32
8781126	A/22	AW 550 - E - 900	C/59	CORCG 08.SS	D/23	GH-1	D/20	GR1873100	C/76	KV882M 1200	C/32
8781142	A/22	AW 550 1700	C/60	CORCG 10	D/23	GH-2	D/20	GR1873130	C/76	KV887 325	C/31
8781148	A/22	AW 610 ML	C/64	CORCG 10.SS	D/23	GH-3	D/20	GR1873200	C/76	KV887 325 TAB	C/31
8781166	A/22	AW880R325TAB	C/30	CORCG 12	D/23	GH-4	D/20	GR1873270	C/76	KV889 0325 TAB	C/30
8781171	A/22	C 2010	D/25	CORCG 12.SS	D/23	GH-5	D/20	GR1873320	C/76	LF 550 1700	C/60
8781303	A/22	C 2010SS	D/25	CORCG 15	D/23	GH-6	D/20	GR550 01	C/71	LF 610 ML	C/64
8781321	A/22	C 2405	D/25	CORCG 15.SS	D/23	GH-7	D/20	GR550 02	C/71	LF1843 125TAB	C/52
8781336	A/22	C 2405 SS	D/25	CORCG 20	D/23	GH-8	D/20	GR550 03	C/71	LF1843 325TAB	C/52
8781366	A/22	C 2812	D/25	CORCG 20.SS	D/23	GH-9	D/20	GR550 24	C/71	LF1843EG 125TAB	C/53
8781372	A/22	C 2812 SS	D/25	CORCGD	D/23	GHC-1	D/20	GR550 25	C/71	LF1843SS 125TAB	C/52
8781397	A/22	C 2816	D/25	CSS 10005	D/15	GHC-1.SS	D/20	GR550 25	C/71	LF1843SS 325TAB	C/52
8781403	A/22	C 2816 SS	D/25	CSS 10010	D/15	GHC-2	D/20	HCG 2006	D/22	LF1843SSEG 125TAB	C/53
8783010	A/26	C 3024	D/25	CSS 10015	D/15	GHC-2.SS	D/20	HCG 2006.SS	D/22	LF1873 1000TAB	C/52
8783025	A/22	C 3024 SS	D/25	CSS 10020	D/15	GHC-2E	D/20	HCG 2011	D/22	LF1873 1200TAB	C/52
8783045	A/22	C 3818	D/25	CSS 10022	D/15	GHC-2E.SS	D/20	HCG 2011.SS	D/22	LF1873 225TAB	C/52
8783051	A/22	C 3818 SS	D/25	CSS 10025	D/15	GHC-3	D/20	HCG 2014	D/22	LF1873 325TAB	C/52
8783068	A/22	C 4540	D/25	CSS 10030	D/15	GHC-3.SS	D/20	HCG 2014.SS	D/22	LF1873 450TAB	C/52
8783074	A/22	C 4540 SS	D/25	CSS 10035	D/16	GHC-4	D/20	HCG 2017	D/22	LF1873 600TAB	C/52
8783086	A/22	C 550 150 TAB	C/72	CSS 10037L2	D/16	GHC-4.SS	D/20	HCG 2017.SS	D/22	LF1873 750TAB	C/52
8783093	A/22	C 550 500 TAB	C/72	CSS 10039L2	D/16	GHC-5	D/20	HCG 2022	D/22	LF1873EG 325TAB	C/54
8783205	A/22	C 550 L 150	C/72	CSS 10040L2	D/16	GHC-5.SS	D/20	HCG 2022.SS	D/22	LF1873GA 325TAB	C/55
8783218	A/22	C 550 L 500	C/72	CSS 10045	D/16	GHE 06	D/21	HCG 2815	D/22	LF1873GF120T1	C/44
8783226	A/22	C 5501501	C/72	CSS 10046	D/16	GHE 08	D/21	HCG 2815.SS	D/22	LF1873GF120T2	C/44
8783239	A/22	C 5501502	C/72	CSS 10060	D/16	GHE 10	D/21	HCG 2818	D/22	LF1873GF120T3	C/44
8783247	A/22	C 5501503	C/72	CSS 30005	D/15	GHE 13	D/21	HCG 2818.SS	D/22	LF1873SS 1000TAB	C/52
8783265	A/22	C 550250	C/72	CSS 30010	D/15	GHEL 06	D/21	HCG 2824	D/22	LF1873SS 1200TAB	C/52
8783273	A/22	C 550500	C/72	CSS 30015	D/15	GHEL 06.SS	D/21	HCG 2824.SS	D/22	LF1873SS 225TAB	C/52
8785085	A/26	C 550630	C/72	CSS 30020	D/15	GHEL 08	D/21	HCG 3822	D/22	LF1873SS 325TAB	C/52
8790507	A/21	C 550LF150	C/72	CSS 30022	D/15	GHEL 08.SS	D/21	HCG 3822.SS	D/22	LF1873SS 450TAB	C/52
8790510	A/21	C 550LF500	C/72	CSS 30025	D/15	GHEL 10	D/21	HCG 3824	D/22	LF1873SS 600TAB	C/52
8790525	A/21	C 6020	D/25	CSS 30030	D/15	GHEL 10.SS	D/21	HCG 3824.SS	D/22	LF1873SS 750TAB	C/52
8790529	A/21	C 6020 SS	D/25	CSS 30035	D/16	GHEL 13	D/21	HCG 3830	D/22	1873SSEG 325TAB	C/54
8790540	A/21	C15001	C/67	CSS 30037L2	D/16	GHEL 13.SS	D/21	HCG 3830.SS	D/22	LF1873SSGA 325TAB	C/55
8790546	A/21	C15002	C/67	CSS 30039L2	D/16	GHGE 06	D/21	HCG 6030	D/22	LF725301	C/33

COD	Pag	COD	Pag	COD	Pag	COD	Pag	COD	Pag	COD	Pag
LF725301TAB	C/33	LF880 325	C/28	P10402	D/9	P20367	D/8	P30360L6	D/11	PSS20376.15	B/59
LF820 250	C/21	LF880 325 TAB	C/27	P10404	D/9	P20369L2	D/8	P30380	D/11	PSS20376.20	B/59
LF820 325	C/21	LF880 450	C/28	P10810L2	D/13	P20370	D/8	P30382	D/11	PSS20378.15	B/59
LF820 330	C/21	LF880 450 TAB	C/27	P10810L3	D/13	P20371	D/8	P30389	D/11	PSS20378.20	B/59
LF820 350	C/21	LF880 600 TAB	C/27	P10840L2	D/14	P20372	D/8	P30390L2	D/8	PSS20380	D/11
LF820 400	C/21	LF880 750 TAB	C/27	P10840L3	D/14	P20373	D/7	P30392L2	D/8	PSS30350L2	B/48
LF820 450	C/21	LF880M 325	C/29	P10845L2	D/14	P20374	D/8	P30447.15	B/55	PSS30350L2	D/7
LF820 600	C/21	LF880M 450	C/29	P10845L3	D/14	P20376.15	B/59	P30447.20	B/55	PSS30350L3	B/48
LF820 750	C/21	LF880R325TAB	C/30	P10850	D/14	P20376.20	B/59	P30450.15	B/56	PSS30350L3	D/7
LF821 B PM 075	C/47	LF882 0325 TAB	C/32	P10855	D/14	P20378.15	B/59	P30450.20	B/56	PSS30380	D/11
LF821 BPM 100	C/47	LF882 0450 TAB	C/32	P10860L2	D/14	P20378.20	B/59	P30602L2	D/12	PZN20350L2	B/48
LF821 BPM 120	C/47	LF882 0750 TAB	C/32	P10860L3	D/14	P20380	D/11	P30614L2	D/12	PZN20350L2	D/7
LF821GF075T1	C/37	LF882 1000 TAB	C/32	P10865	D/14	P20384	D/11	P30620L2	D/12	PZN20350L3	B/48
LF821GF075T2	C/37	LF882 1200 TAB	C/32	P20100	D/1	P20386	D/9	P30701L2	D/10	PZN20350L3	D/7
LF821GF075T3	C/37	LF882 BPM 045TAB	C/48	P20101	D/1	P20388	D/9	P30703L2	D/10	PZN20352L2	D/7
LF821GF100T1	C/37	LF882 BPM 075TAB	C/48	P20102	D/1	P20400	D/9	P30705L2	D/10	PZN20352L3	D/7
LF821GF100T2	C/37	LF882 BPM 100TAB	C/48	P20103	D/1	P20402	D/9	P30707L2	D/10	PZN20380	D/11
LF821GF100T3	C/37	LF882 BPM 120TAB	C/48	P20104	D/1	P20404	D/9	P30708L2	D/10	PZN30350L2	B/48
LF821GF120T1	C/37	LF882 M BP 075	C/48	P20105	D/1	P20602L2	D/12	P30710L2	D/10	PZN30350L2	D/7
LF821GF120T2	C/37	LF882 M BP 100	C/48	P20106	D/1	P20608	D/13	P30720L2	D/10	PZN30350L3	B/48
LF821GF120T3	C/37	LF882 M BP 120	C/48	P20107	D/1	P20614L2	D/12	P30740L2	D/10	PZN30350L3	D/7
LF8257 0750	C/23	LF882GF045T1	C/42	P20109	D/1	P20620L2	D/12	P30810L2	D/13	PZN30380	D/11
LF8257 1000	C/23	LF882GF045T2	C/42	P20111	D/1	P20621	D/13	P30810L3	D/13	R08	D/9
LF8257 1200	C/23	LF882GF045T3	C/42	P20120	D/1	P20622	D/13	P30850	D/14	R10	D/9
LF8257 BP 075	C/47	LF882GF075T1	C/42	P20121	D/1	P20810L2	D/13	P30860L2	D/14	R12	D/9
LF8257 BP 100	C/47	LF882GF075T2	C/42	P20122	D/1	P20810L3	D/13	P30860L3	D/14	S-1	D/17
LF8257 BP 120	C/47	LF882GF075T3	C/42	P20123	D/1	P20840L2	D/14	P820 325	C/21	S-2	D/17
LF8257GF0750T1	C/38	LF882GF100T1	C/42	P20124	D/1	P20840L3	D/14	P820 330	C/21	S-215	D/17
LF8257GF0750T2	C/38	LF882GF100T2	C/42	P20125	D/1	P20845L2	D/14	P820 400	C/21	S-3	D/17
LF8257GF0750T3	C/38	LF882GF100T3	C/42	P20126	D/1	P20845L3	D/14	P820 450	C/21	S-315	D/17
LF8257GF1000T1	C/38	LF882GF120T1	C/42	P20127	D/1	P20850	D/14	P820 600	C/21	S-4	D/17
LF8257GF1000T2	C/38	LF882GF120T2	C/42	P20240	B/9	P20860L2	D/14	P820 750	C/21	S-415	D/17
LF8257GF1000T3	C/38	LF882GF120T3	C/42	P20250	D/3	P20860L3	D/14	PAA10810L2	D/13	S-5	D/17
LF8257GF1200T1	C/38	LF882M 0750	C/32	P20253	D/3	P20865	D/14	PAA10810L3	D/13	S-520	D/17
LF8257GF1200T2	C/38	LF882M 1000	C/32	P20254	D/3	P30100	D/1	PAA10840L2	D/14	S-6	D/17
LF8257GF1200T3	C/38	LF882M 1200	C/32	P20255	D/3	P30101	D/1	PAA10840L3	D/14	S-620	D/17
LF828 325	C/22	LF882MGF0750T1	C/43	P20256	D/3	P30102	D/1	PAA10845L2	D/14	S-7	D/17
LF828 330	C/22	LF882MGF0750T2	C/43	P20257L2	D/3	P30103	D/1	PAA10845L3	D/14	S-8	D/17
LF831 325	C/21	LF882MGF0750T3	C/43	P20260	D/4	P30104	D/1	PAA10850	D/14	S-9	D/17
LF831 450	C/21	LF882MGF1000T1	C/43	P20262	D/4	P30105	D/1	PAA10855	D/14	SSC515 300	C/19
LF831 750	C/21	LF882MGF1000T2	C/43	P20263	D/4	P30106	D/1	PAA10860L2	D/14	SSC515 325	C/19
LF831GF0325T1	C/36	LF882MGF1000T3	C/43	P20264	D/4	P30107	D/1	PAA10860L3	D/14	SSC515 400	C/19
LF831GF0325T2	C/36	LF882MGF1200T1	C/43	P20265	D/4	P30120	D/1	PAA10865	D/14	SSC805 750	C/18
LF831GF0325T3	C/36	LF882MGF1200T2	C/43	P20266	D/4	P30121	D/1	PAA20810L2	D/13	SSC805G 750	C/35
LF843 138	C/51	LF882MGF1200T3	C/43	P20267	D/4	P30122	D/1	PAA20810L3	D/13	SSC810 125	C/19
LF843 144	C/51	LF887 325	C/31	P20268	D/4	P30123	D/1	PAA20840L2	D/14	SSC810 175	C/19
LF843 200	C/51	LF887 325 TAB	C/31	P20269	D/2	P30124	D/1	PAA20840L3	D/14	SSC815 250	C/17
LF843 325	C/51	LF889 0325 TAB	C/30	P20271	D/2	P30125	D/1	PAA20845L2	D/14	SSC815 300	C/17
LF843SS 138	C/51	MCH06	D/9	P20272	D/4	P30126	D/1	PAA20845L3	D/14	SSC815 325	C/17
LF843SS 144	C/51	MCH08	D/9	P20274	D/2	P30127	D/1	PAA20850	D/14	SSC815 350	C/17
LF843SS 200	C/51	MCH10	D/9	P20275	D/2	P30250	D/3	PAA20860L2	D/14	SSC815 400	C/17
LF843SS 325	C/51	MCH12	D/9	P20282	D/2	P30253	D/3	PAA20860L3	D/14	SSC815 450	C/17
LF863 325	C/51	P 20095	D/22	P20285	D/6	P30254	D/3	PAA20865	D/14	SSC815 500	C/17
LF863 450	C/51	P10090	D/1	P20286	D/6	P30255	D/3	PAA30810L2	D/13	SSC815 600	C/17
LF863 600	C/51	P10091	D/1	P20290	D/6	P30258	D/3	PAA30810L3	D/13	SSC815 750	C/17
LF863 750	C/51	P10092	D/1	P20291	D/6	P30260	D/4	PAA30850	D/14	SSC8157 075	C/18
LF863SS 325	C/51	P10093	D/1	P20292	D/5	P30262	D/4	PAA30860L2	D/14	SSC815G 325	C/35
LF863SS 450	C/51	P10094	D/1	P20293	D/5	P30263	D/4	PAA30860L3	D/14	SSC881M 325	C/26
LF863SS 600	C/51	P10095	D/1	P20296L2	D/4	P30264	D/4	PS820 325	C/21	SSC881M 750	C/26
LF863SS 750	C/51	P10096	D/1	P20297	D/4	P30265	D/4	PS820 330	C/21	SSC881-O- 325 TAB	C/25
LF879 325	C/28	P10097	D/1	P20298L2	D/4	P30266	D/4	PS820 400	C/21	SSC881-O- 450 TAB	C/25
LF879 325 TAB	C/27	P10098	D/1	P20310	D/7	P30267	D/4	PS820 450	C/21	SSC881-O- 750 TAB	C/25
LF879 450	C/28	P10151	D/1	P20311	D/7	P30268	D/4	PS820 600	C/21	SSC881-O-325	C/25
LF879 450 TAB	C/27	P10152	D/1	P20312	D/7	P30271	D/2	PS820 750	C/21	SSC881-O-450	C/25
LF879 TAB GF 325T1	C/41	P10153	D/1	P20320	D/7	P30274	D/2	PS882 0450 TAB	C/32	SSC881-O-750	C/25
LF879 TAB GF 325T2	C/41	P10154	D/1	P20322	D/7	P30275	D/2	PS882 0750 TAB	C/32	SSC8857M 075	C/26
LF879 TAB GF 325T3	C/41	P10155	D/1	P20350	B/48	P30282	D/2	PS882 1000 TAB	C/32	SSS515 300	C/19
LF879 TAB GF 450T1	C/41	P10156	D/1	P20350	D/7	P30285	D/6	PSS20350L2	B/48	SSS515 325	C/19
LF879 TAB GF 450T2	C/41	P10157	D/1	P20352	D/7	P30294	D/5	PSS20350L2	D/7	SSS515 400	C/19
LF879 TAB GF 450T3	C/41	P10286	D/6	P20354	D/7	P30350	B/48	PSS20350L3	B/48	SSS805 590	C/18
LF879M 325	C/29	P10386	D/9	P20356	D/7	P30350	D/7	PSS20350L3	D/7	SSS805 750	C/18
LF879M 450	C/29	P10388	D/9	P20364L2	D/8	P30360L2	D/11	PSS20352L2	D/7	SSS815 250	C/17
LF880 250 TAB	C/27	P10400	D/9	P20365	D/8	P30360L3	D/11	PSS20352L3	D/7	SSS815 300	C/17

COD	Pag	COD	Pag	COD	Pag	COD	Pag	COD	Pag
SSS815 325	C/17	TCG-9.SS	D/18						
SSS815 350	C/17	TCGD-1	D/19						
SSS815 400	C/17	TCGD-1.SS	D/19						
SSS815 450	C/17	TCGD-2	D/19						
SSS815 500	C/17	TCGD-2.SS	D/19						
SSS815 600	C/17	TCGD-3	D/19						
SSS815 750	C/17	TCGD-3.SS	D/19						
SSS881-O- 325 TAB	C/25	TCGD-4	D/19						
SSS881-O- 450 TAB	C/25	TCGD-4.SS	D/19						
SSS881-O- 750 TAB	C/25	TSB205	F/24						
SSS881-O-325	C/25	TTB15A	F/13						
SSS881-O-450	C/25	TTB15C	F/13						
SSS881-O-750	C/25	U-1	D/18						
T-1	D/17	U-2	D/18						
T-2	D/17	U-3	D/18						
T-2.15	D/17	U-4	D/18						
T-2.20	D/17	U-5	D/18						
T-3	D/17	UC-1	D/19						
T-4	D/17	UC-2	D/19						
T-5	D/17	UC-3	D/19						
T-6	D/17	UC-4	D/19						
T-7	D/17	UC-5	D/19						
T-8	D/17	UC-6	D/19						
T-9	D/17	UCCG-1	D/19						
TB1001	F/22	UCCG-1.SS	D/19						
TB1001D	F/22	UCCG-2	D/19						
TB1001T	F/22	UCCG-2.SS	D/19						
TB1007	F/22	UCCG-3	D/19						
TB1007D	F/22	UCCG-3.SS	D/19						
TB1007T	F/22	UCCG-4	D/19						
TB1009	F/22	UCCG-4.SS	D/19						
TB1009D	F/22	UCCG-5	D/19						
TB1009T	F/22	UCCG-5.SS	D/19						
TB1010	F/22	UCD-1	D/19						
TB1010D	F/22	UCD-2	D/19						
TB1010T	F/22	UCD-3	D/19						
TB1013	F/22	UCD-4	D/19						
TB1013D	F/22	UCD-5	D/19						
TB1013T	F/22	UCG-1	D/18						
TBA1001	F/23	UCG-1.SS	D/18						
TBA1001D	F/23	UCG-2	D/18						
TBA1001T	F/23	UCG-2.SS	D/18						
TBA1007	F/23	UCG-3	D/18						
TBA1007D	F/23	UCG-3.SS	D/18						
TBA1007T	F/23	UCG-4	D/18						
TBA1009	F/23	UCG-4.SS	D/18						
TBA1009D	F/23	UCG-5	D/18						
TBA1009T	F/23	UCG-5.SS	D/18						
TBA1010	F/23								
TBA1010D	F/23								
TBA1010T	F/23								
TBA1013	F/23								
TBA1013D	F/23								
TBA1013T	F/23								
TCG-1	D/18								
TCG-1.SS	D/18								
TCG-2	D/18								
TCG-2.SS	D/18								
TCG-3	D/18								
TCG-3.SS	D/18								
TCG-4	D/18								
TCG-4.SS	D/18								
TCG-5	D/18								
TCG-5.SS	D/18								
TCG-5R	D/18								
TCG-5R.SS	D/18								
TCG-6	D/18								
TCG-6.SS	D/18								
TCG-7	D/18								
TCG-7.SS	D/18								
TCG-8	D/18								
TCG-8.SS	D/18								
TCG-9	D/18								

Lined writing area with horizontal red lines on a light gray background.

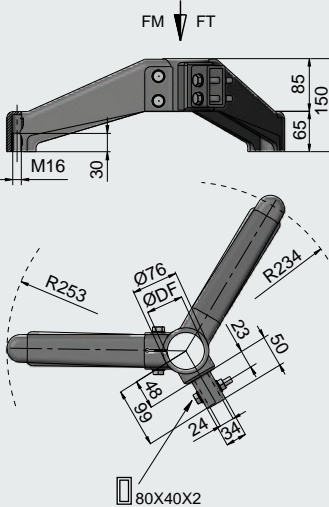
TRIPODE / TRIPOD
TRIPODE / ZWEIFEIN-STÜTZFÜSSE



- M** Poliamida reforzada, insertos roscados en latón niquelado , tornillería s / tabla.
 Reinforced polyamide, bushings in nickel plated brass, screws according to table.
 Polyamide renforcé, inserts vissés en laiton nickelé, visserie v/table.
 Verstärktes Polyamid, Gewindebuchsen aus vernickeltem Messing, Schrauben und Muttern siehe Tabelle.

DF			FM N (Newton)	FD N (Newton)	FT N (Newton)	Kg	COD.	
mm	inch							
42,4	1 1/4	SS	16000	-	8000	1,90	8310005	10
48,3	1 1/2				8500	1,90	8310008	
50,9	-				9000	1,90	8310010	
60,3	2				10000	1,90	8310012	

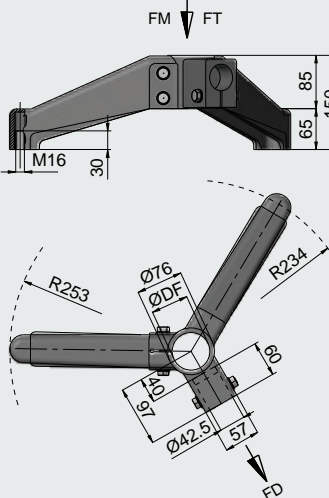
BIPODE / BIPOP
BIPODE / DREIBEIN-STÜTZFÜSSE



- M** Poliamida reforzada, insertos roscados en latón niquelado , tornillería s / tabla.
 Reinforced polyamide, bushings in nickel plated brass, screws according to table.
 Polyamide renforcé, inserts vissés en laiton nickelé, visserie v/table.
 Verstärktes Polyamid, Gewindebuchsen aus vernickeltem Messing, Schrauben und Muttern siehe Tabelle.

DF			FM N (Newton)	FD N (Newton)	FT N (Newton)	Kg	COD.	
mm	inch							
42,4	1 1/4	SS	13000	-	7500	1,70	8310023	15
48,3	1 1/2				8000	1,60	8310024	
50,9	-				8500	1,60	8310025	
60,3	2				9000	1,60	8310026	

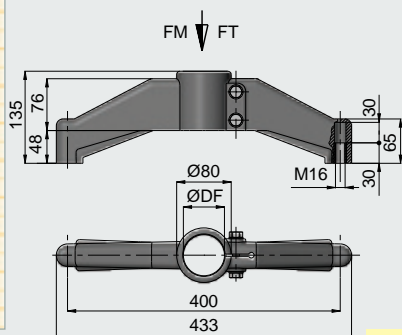
BIPODE / BIPOP
BIPODE / DREIBEIN-STÜTZFÜSSE



- M** Poliamida reforzada, insertos roscados en latón niquelado , tornillería s / tabla.
 Reinforced polyamide, bushings in nickel plated brass, screws according to table.
 Polyamide renforcé, inserts vissés en laiton nickelé, visserie v/table.
 Verstärktes Polyamid, Gewindebuchsen aus vernickeltem Messing, Schrauben und Muttern siehe Tabelle.

DF			FM N (Newton)	FD N (Newton)	FT N (Newton)	Kg	COD.	
mm	inch							
42,4	1 1/4	SS	13000	7500	7500	1,60	8310037	15
48,3	1 1/2				8000	1,60	8310038	
50,9	-				8500	1,60	8310039	
60,3	2				9000	1,60	8310040	

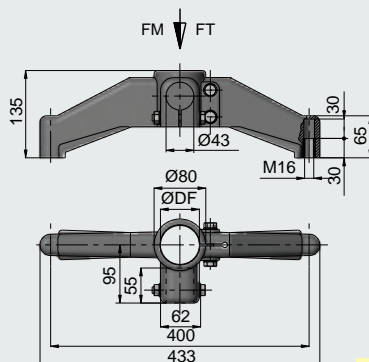
BIPODE / BIPOP
BIPODE / DREIBEIN-STÜTZFÜSSE



- M** Poliamida reforzada, insertos roscados en latón niquelado , tornillería s / tabla.
 Reinforced polyamide, bushings in nickel plated brass, screws according to table.
 Polyamide renforcé, inserts vissés en laiton nickelé, visserie v/table.
 Verstärktes Polyamid, Gewindebuchsen aus vernickeltem Messing, Schrauben und Muttern siehe Tabelle.

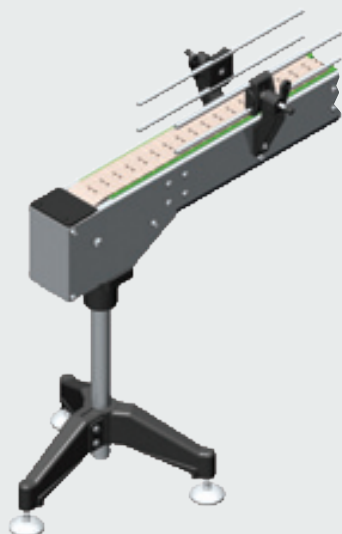
DF			FM N (Newton)	FD N (Newton)	FT N (Newton)	Kg	COD.	
mm	inch							
42,4	1 1/4	SS	12000	-	8000	1,03	8310057	25
48,3	1 1/2				8500	1,01	8310058	
50,9	--				9000	0,99	8310059	
60,3	2				10000	0,97	8310060	

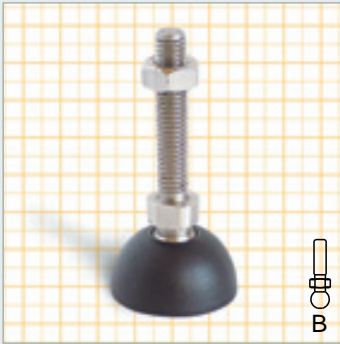
BIPODE / BIPOP
BIPODE / DREIBEIN-STÜTZFÜSSE



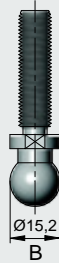
- M** Poliamida reforzada, insertos roscados en latón niquelado , tornillería s / tabla.
 Reinforced polyamide, bushings in nickel plated brass, screws according to table.
 Polyamide renforcé, inserts vissés en laiton nickelé, visserie v/table.
 Verstärktes Polyamid, Gewindebuchsen aus vernickeltem Messing, Schrauben und Muttern siehe Tabelle.

DF			FM N (Newton)	FD N (Newton)	FT N (Newton)	Kg	COD.	
mm	inch							
48,3	1 1/2	SS	13000	4500	8000	1,60	8310061	20
50,9	-				8500	1,40	8310062	
60,3	2				9000	1,19	8310063	

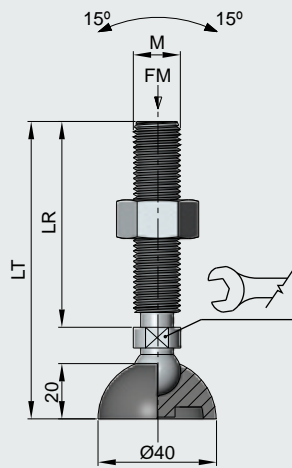




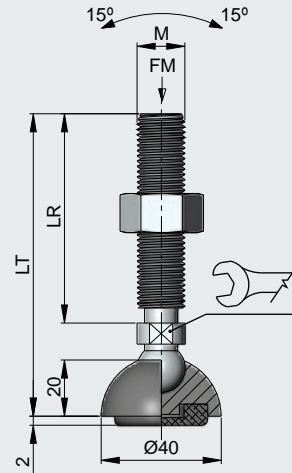
TIPO EJE / SPINDLE TYPE
TYPE TIGE FILETÉ / SPINDEL-TYP



- M** Base en poliamida reforzada, eje y tuerca s / tabla. Versión antivibración, goma, shore 70.
- Base in reinforced polyamide, spindle and nut as in the table. Antivibration version with-rubber, 70 shore.
- Base en Polyamide Renforcé axe et écrou v / table. Version antivibration, patin, shore 70.
- Fuß aus verstärktem Polyamid, Gewindestange und Mutter siehe Tabelle, schwingungsdämpfende Einlagen aus Gummi in 70° Shore A.

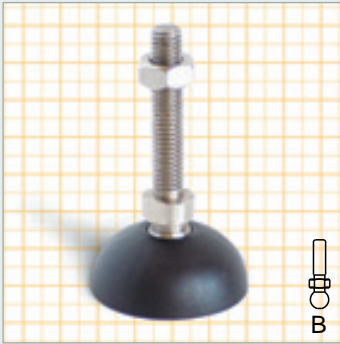


STD.
- TIPO STANDARD
- TYPE STANDARD
- STANDARD VERSION

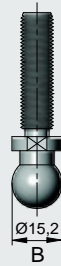


AV.
- TIPO ANTIVIBRACIÓN
- TYPE ANTI-VIBRATION
- SCHWINGUNGSDÄMPFENDE VERSION

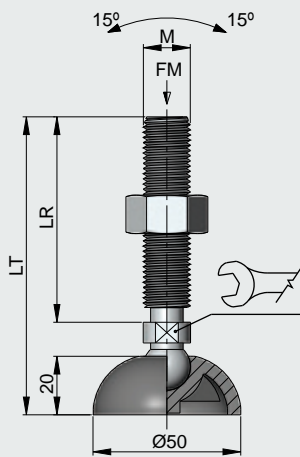
M	LT	LR	MAT		TIPO TYPE TYP		FM N (Newton)	Kg.	COD STD.	COD AV.	
10	74	43	SS303	SS	B	14	12000	0,07	8717043	8718092	50
10	102	71						0,09	8717045	8718094	
10	159	128						0,12	8717046	8718095	
12	74	43						0,09	8717052	8718100	
12	102	71						0,11	8717054	8718102	
12	159	128						0,15	8717055	8718103	
14	74	43						0,11	8717057	8718105	
14	102	71						0,13	8717058	8718107	
14	159	128						0,20	8717060	8718109	
16	102	71						0,16	8717062	8718111	
16	159	128						0,23	8717063	8718112	
16	188	157						0,27	8717064	8718113	
16	201	170						0,29	8717065	8718114	
8	74	43						ZN	ZN	B	
8	102	71	0,07	8717015	8718061						
10	74	43	0,07	8717018	8718066						
10	102	71	0,09	8717022	8718068						
10	159	128	0,12	8717023	8718069						
12	74	43	0,09	8717027	8718076						
12	102	71	0,11	8717029	8718078						
12	159	128	0,15	8717030	8718079						
14	74	43	0,11	8717032	8718081						
14	102	71	0,13	8717033	8718083						
14	159	128	0,20	8717034	8718084						
16	102	71	0,16	8717036	8718086						



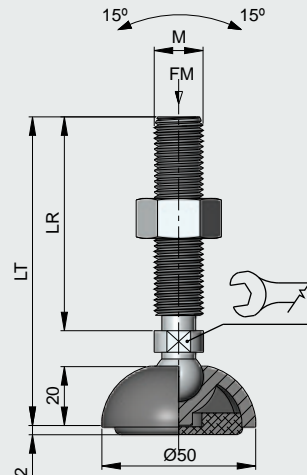
TIPO EJE / SPINDLE TYPE
TYPE TIGE FILETÉ / SPINDEL-TYP



- M** Base en poliamida reforzada, eje y tuerca s / tabla. Versión antivibración, goma, shore 70.
- Base in reinforced polyamide, spindle and nut as in the table. Antivibration version with-rubber, 70 shore.
- Base en Polyamide Renforcé axe et écrou v / table. Version antivibration, patin, shore 70.
- Fuß aus verstärktem Polyamid, Gewindestange und Mutter siehe Tabelle, schwingungsdämpfende Einlagen aus Gummi in 70° Shore A.

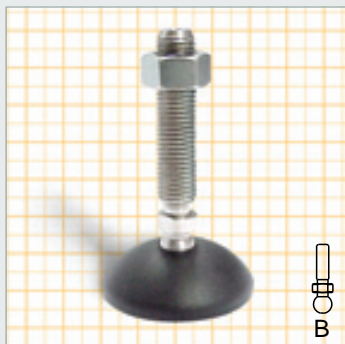


STD.
- TIPO STANDARD
- TYPE STANDARD
- STANDARD VERSION

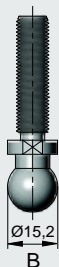


AV.
- TIPO ANTIVIBRACIÓN
- TYPE ANTI-VIBRATION
- SCHWINGUNGSDÄMPFENDE VERSION

M	LT	LR	MAT		TIPO TYPE TYP	Wrench	FM N (Newton)	Kg.	COD STD.	COD AV.	Box
10	74	43	SS303	SS	B	14	12000	0,08	8717251	8718249	50
10	102	71						0,09	8717253	8718251	
10	159	128						0,12	8717254	8718252	
12	74	43						0,09	8717260	8718257	
12	102	71						0,11	8717262	8718259	
12	159	128						0,15	8717263	8718260	
14	74	43						0,11	8717265	8718263	
14	102	71						0,14	8717266	8718265	
14	159	128						0,20	8717268	8718266	
16	102	71						0,16	8717270	8718268	
16	159	128						0,24	8717271	8718269	
16	188	157						0,28	8717272	8718270	
16	201	170						0,29	8717273	8718271	
8	74	43						ZN	ZN	B	
8	102	71	0,07	8717224	8718218						
10	74	43	0,08	8717227	8718223						
10	102	71	0,09	8717231	8718225						
10	159	128	0,12	8717232	8718226						
12	74	43	0,09	8717236	8718233						
12	102	71	0,11	8717238	8718235						
12	159	128	0,15	8717239	8718236						
14	74	43	0,11	8717241	8718238						
14	102	71	0,14	8717242	8718240						
14	159	128	0,20	8717243	8718241						
16	102	71	0,16	8717245	8718243						

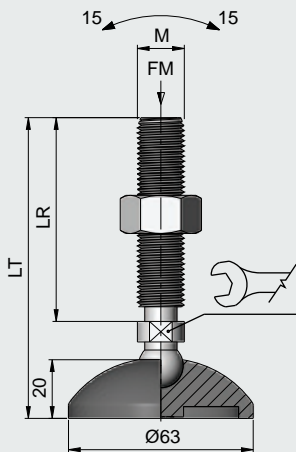


TIPO EJE / SPINDLE TYPE
TYPE TIGE FILETÉ / SPINDEL-TYP



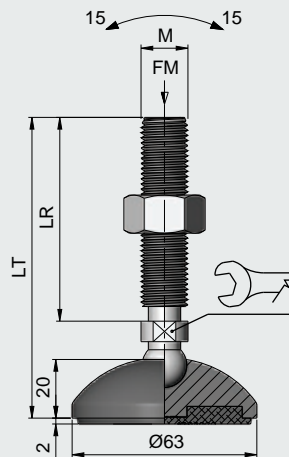
M Base en poliamida reforzada, eje y tuerca s / tabla. Versión antivibración, goma, shore 70.
 Base in reinforced polyamide, spindle and nut as in the table. Antivibration version with-rubber, 70 shore.
 Base en Polyamide Renforcé axe et écrou v / table. Version antivibration, patin, shore 70.
 Fuß aus verstärktem Polyamid, Gewindestange und Mutter siehe Tabelle, schwingungsdämpfende Einlagen aus Gummi in 70° Shore A.

Pie ligero / Light feet
Pied léger / Leichtig-Füße



STD.

- TIPO STANDARD
- TYPE STANDARD
- STANDARD VERSION



AV.

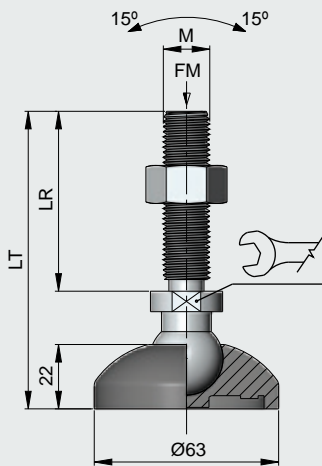
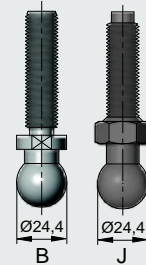
- TIPO ANTIVIBRACIÓN
- TYPE ANTI-VIBRATION
- SCHWINGUNGSDÄMPFENDE VERSION

M	LT	LR	MAT		TIPO TYPE TYP		FM N (Newton)	Kg.	COD STD.	COD AV.	
10	77	43						0.09	8725502	8726752	
10	87	53						0.09	8725503	8726754	
10	105	71						0.10	8725505	8726755	
10	162	128						0.13	8725507	8726758	
12	77	43	SS	SS	B	14	12000	0.10	8725511	8726760	
12	87	53						0.11	8725512	8726761	
12	105	71						0.12	8725516	8726764	
12	162	128						0.16	8725519	8726765	50
14	77	43						0.12	8725526	8726769	
14	105	71	SS	SS				0.15	8725528	8726770	
14	162	128						0.21	8725531	8726773	
16	105	71						0.17	8725537	8726778	
16	162	122	SS	SS				0.25	8725539	8726780	
16	191	157						0.29	8725541	8726782	
16	204	170						0.30	8725544	8726784	
8	77	43						0.07	8725450	8726555	
8	105	71						0.08	8725453	8726557	
10	77	43						0.09	8725457	8726560	
10	87	53						0.09	8725458	8726562	
10	105	71						0.10	8725459	8726564	
10	162	128	ZN	ZN	B	14	12000	0.13	8725462	8726570	
12	77	43						0.10	8725475	8726573	
12	87	53						0.11	8725477	8726574	
12	105	71						0.12	8725479	8726577	50
12	162	128						0.16	8725483	8726579	
14	77	43						0.12	8725486	8726581	
14	105	71	ZN	ZN				0.15	8725489	8726583	
14	162	128						0.21	8725491	8726584	
16	105	71						0.17	8725494	8726587	
16	162	128	ZN	ZN				0.25	8725496	8726589	
16	191	157						0.29	8725498	8726591	

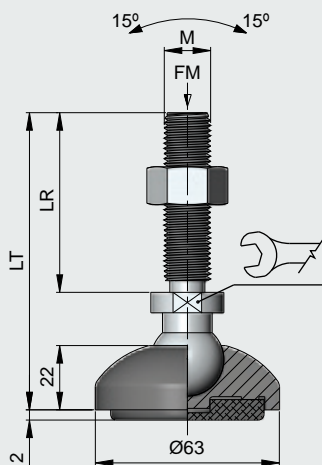


M Base en poliamida reforzada, eje y tuerca s / tabla. Versión antivibración, goma, shore 70.
 Base in reinforced polyamide, spindle and nut as in the table. Antivibration version with-rubber, 70 shore.
 Base en Polyamide Renforcé axe et écrou v / table. Version antivibration, patin, shore 70.
 Fuß aus verstärktem Polyamid, Gewindestange und Mutter siehe Tabelle, schwingungsdämpfende Einlagen aus Gummi in 70° Shore A.

TIPO EJE / SPINDLE TYPE
 TYPE TIGE FILETÉ / SPINDEL-TYP

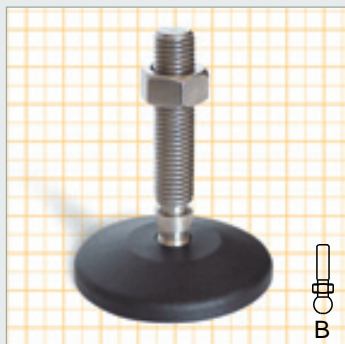


STD.
 - TIPO STANDARD
 - TYPE STANDARD
 - STANDARD VERSION

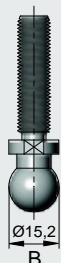


AV.
 - TIPO ANTIVIBRACIÓN
 - TYPE ANTI-VIBRATION
 - SCHWINGUNGSDÄMPFENDE VERSION

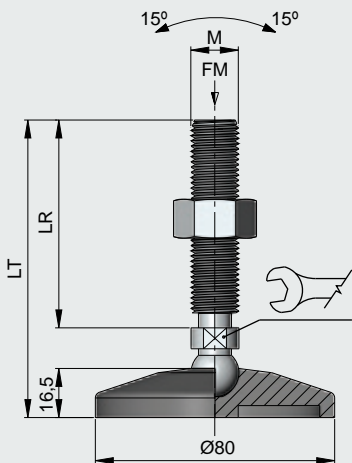
M	LT	LR	MAT		TIPO TYPE TYP		FM N (Newton)	Kg.	COD STD.	COD AV.	
16	100	51		-	J	24	3.000	0,12	8732250	8732281	
16	100	51	PA6	SS			4.000	0,13	8732302	8734352	
16	100	51		ZN			0,13	8732301	8734351		
12	106	63			B	20	15.000	0,19	8732303	8734353	50
12	156	113					0,23	8732304	8734354		
12	206	163					0,25	8732305	8734355		
14	106	63					0,22	8732307	8734357		
14	156	113	SS303	SS			0,26	8732308	8734358		
14	206	163					0,31	8732309	8734359		
16	99	56					0,23	8732311	8734361		
16	156	113			0,31	8732312	8734362				
16	196	153			0,36	8732313	8734363				
16	236	193			0,40	8732314	8734364				
20	126	83			0,30	8732316	8734366				
20	156	113	SS303	-	B	22	15.000	0,36	8732317	8734367	50
20	186	143			0,42	8732318	8734368				
20	236	193			0,52	8732319	8734369				
24	126	83			0,38	8732321	8734371				
24	156	113	SS303	-	B	23	15.000	0,46	8732322	8734372	50
24	186	143			0,55	8732323	8734373				
24	236	193			0,70	8732324	8734374				
12	106	63			0,19	8732338	8734388				
12	156	113			0,23	8732339	8734389				
12	206	163			0,25	8732340	8734390				
14	106	63			0,22	8732342	8734392				
14	156	113			0,26	8732343	8734393				
14	206	163	ZN	ZN	B	20	15.000	0,31	8732344	8734394	50
16	99	56			0,23	8732346	8734396				
16	156	113			0,31	8732347	8734397				
16	196	153			0,36	8732348	8734398				
16	236	193			0,40	8732349	8734399				
20	126	83			0,30	8732351	8734401				
20	156	113			0,36	8732352	8734402				
20	186	143	ZN	-	B	22	15.000	0,42	8732353	8734403	50
20	236	193			0,52	8732354	8734404				
24	126	83			0,38	8732356	8734406				
24	156	113	ZN	-	B	23	15.000	0,46	8732357	8734407	50
24	186	143			0,55	8732358	8734408				
24	236	193			0,70	8732359	8734409				



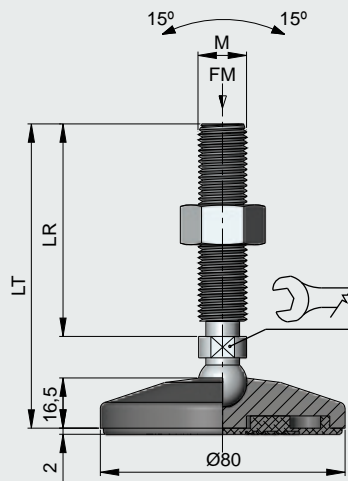
TIPO EJE / SPINDLE TYPE
TYPE TIGE FILETÉ / SPINDEL-TYP



M Base en poliamida reforzada, eje y tuerca s / tabla. Versión antivibración, goma, shore 70.
 Base in reinforced polyamide, spindle and nut as in the table. Antivibration version with-rubber, 70 shore.
 Base en Polyamide Renforcé axe et écrou v / table. Version antivibration, patin, shore 70.
 Fuß aus verstärktem Polyamid, Gewindestange und Mutter siehe Tabelle, schwingungsdämpfende Einlagen aus Gummi in 70° Shore A.

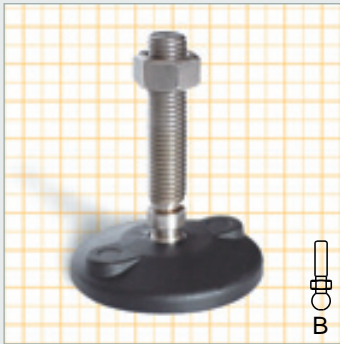


STD.
 - TIPO STANDARD
 - TYPE STANDARD
 - STANDARD VERSION

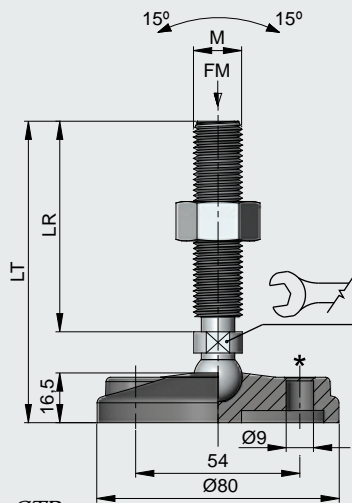


AV.
 - TIPO ANTIVIBRACIÓN
 - TYPE ANTI-VIBRATION
 - SCHWINGUNGSDÄMPFENDE VERSION

M	LT	LR	MAT		TIPO TYPE TYP	Wrench Icon	FM N (Newton)	Kg.	COD STD.	COD AV.	Box Icon
			Wrench Icon	Wrench Icon							
10	71	43	SS303	SS	B	14	15.000	0,11	8741117	8743186	50
10	99	71						0,12	8741118	8743188	
10	156	128						0,15	8741120	8743189	
12	71	43						0,12	8741122	8743191	
12	99	71						0,14	8741124	8743193	
12	156	128						0,18	8741125	8743194	
14	71	43						0,14	8741195	8743305	
14	99	71						0,17	8741197	8743309	
14	156	128						0,23	8741199	8743313	
16	99	71						0,19	8741127	8743196	
16	156	128						0,27	8741128	8743197	
16	186	157						0,31	8741129	8743198	
16	198	170	0,32	8741130	8743199						
8	71	43	ZN	ZN	B	14	15.000	0,09	8741101	8743170	50
8	99	71						0,10	8741102	8743171	
10	71	43						0,11	8741105	8743174	
10	99	71						0,12	8741107	8743176	
10	156	128						0,15	8741108	8743177	
12	71	43						0,12	8741110	8743179	
12	99	71						0,14	8741112	8743181	
12	156	128						0,18	8741113	8743182	
14	71	43						0,14	8741210	8743360	
14	99	71						0,17	8741214	8743362	
14	156	128						0,23	8741216	8743364	
16	99	71						0,19	8741115	8743184	
16	156	128	0,20	8741201	8743183						
16	186	157	0,31	8741205	8743187						

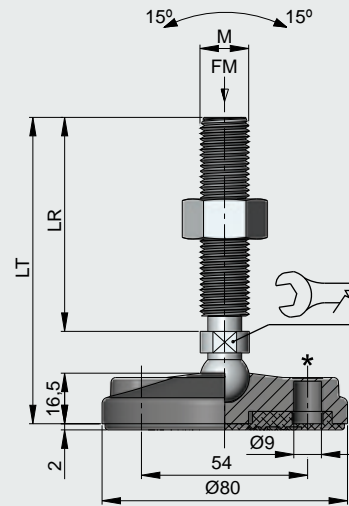


TIPO EJE / SPINDLE TYPE
TYPE TIGE FILETÉ / SPINDEL-TYP



STD.

- TIPO STANDARD
- TYPE STANDARD
- STANDARD VERSION



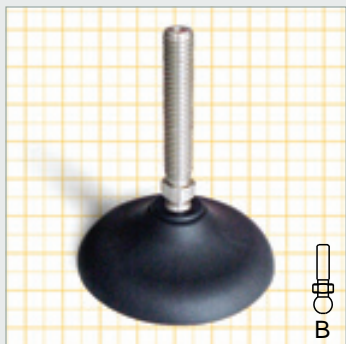
AV.

- TIPO ANTIVIBRACIÓN
- TYPE ANTI-VIBRATION
- SCHWINGUNGSDÄMPFENDE VERSION

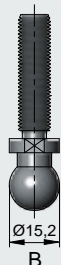
- M** Base en poliamida reforzada, eje y tuerca s / tabla. Versión antivibración, goma, shore 70.
 Base in reinforced polyamide, spindle and nut as in the table. Antivibration version with-rubber, 70 shore.
 Base en Polyamide Renforcé axe et écrou v / table. Version antivibration, patin, shore 70.
 Fuß aus verstärktem Polyamid, Gewindestange und Mutter siehe Tabelle, schwingungsdämpfende Einlagen aus Gummi in 70° Shore A.

- * Para utilizar se debe romper el diafragma.
- * To use this hole break the diaphragm
- * Pour fixation au sol casser le diafragma.
- * Zur Verschraubung im Boden die geschlossene Bohrung durchstoßen.

M	LT	LR	MAT		TIPO TYPE TYP	N	FM N (Newton)	Kg.	COD STD.	COD AV.	Box
			Icon 1	Icon 2							
10	71	43	SS303	SS	B	14	15.000	0,11	8741151	8743236	50
10	81	53						0,11	8741152	8743237	
10	99	71						0,12	8741153	8743238	
10	156	128						0,15	8741154	8743239	
12	71	43						0,12	8741156	8743241	
12	81	53						0,13	8741157	8743242	
12	99	71						0,14	8741158	8743243	
12	156	128						0,18	8741159	8743244	
14	71	43						0,14	8741175	8743251	
14	99	71						0,17	8741177	8743253	
14	156	128						0,23	8741179	8743255	
16	99	71						0,19	8741161	8743246	
16	156	128						0,27	8741162	8743247	
16	185	157						0,31	8741163	8743248	
16	198	170						0,32	8741164	8743249	
8	71	43						ZN	ZN	B	
8	99	71	0,10	8741136	8743221						
10	71	43	0,11	8741139	8743224						
10	99	71	0,12	8741141	8743226						
10	156	128	0,15	8741142	8743227						
12	71	43	0,12	8741144	8743229						
12	81	53	0,13	8741145	8743230						
12	99	71	0,14	8741146	8743231						
12	156	128	0,18	8741147	8743232						
14	71	43	0,14	8741182	8743268						
14	99	71	0,17	8741184	8743270						
14	156	128	0,23	8741186	8743272						
16	99	71	0,19	8741149	8743234						
16	156	128	0,27	8741148	8743233						
16	186	157	0,31	8741150	8743235						

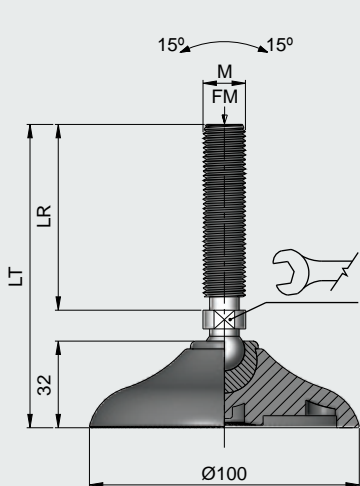


TIPO EJE / SPINDLE TYPE
TYPE TIGE FILETÉ / SPINDEL-TYP

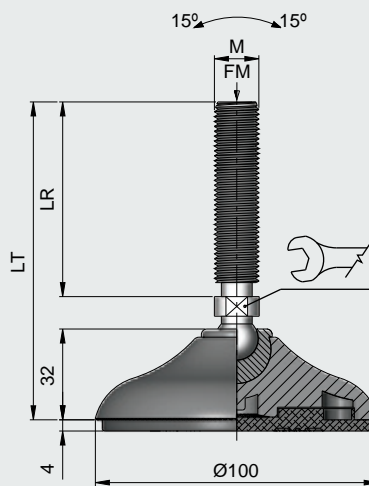


- M** Base en poliamida reforzada, eje s / tabla. Versión antivibración, goma, shore 70.
- Base in reinforced polyamide, spindle as in the table. Antivibration version with-rubber, 70 shore.
- Base en Polyamide Renforcé axe v / table. Version antivibration, patin, shore 70.
- Fuß aus verstärktem Polyamid, Gewindestange siehe Tabelle, schwingungsdämpfende Einlagen aus Gummi in 70° Shore A.

Pie ligero / Light feet
Pied léger / Leichtig-Füße



STD
- TIPO STANDARD
- TYPE STANDARD
- STANDARD VERSION



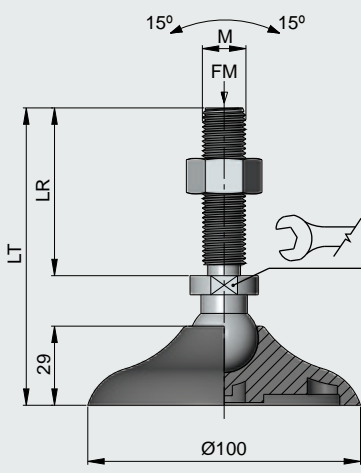
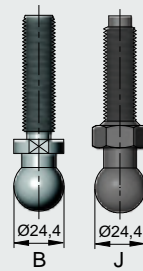
AV
- TIPO ANTIVIBRACIÓN
- TYPE ANTI-VIBRATION
- SCHWINGUNGSDÄMPFENDE VERSION

M	LT	LR	MAT		TIPO TYPE TYP		FM N (Newton)	Kg.	COD STD.	COD AV.	
12	88	43	SS303	-	B	14	12000	0,15	8750114	8751730	5
12	98	53						0,16	8750115	8751731	
12	116	71						0,17	8750116	8751732	
12	173	128						0,21	8750117	8751733	
14	88	43						0,16	8750122	8751738	
14	116	71						0,19	8750123	8751739	
14	173	128						0,26	8750124	8751740	
16	116	71						0,21	8750129	8751745	
16	173	128						0,28	8750130	8751746	
16	202	157						0,32	8750131	8751747	
16	215	170	0,34	8750132	8751748						
12	88	43	ZN	-	B	14	12000	0,15	8750085	8751701	
12	98	53						0,16	8750086	8751702	
12	116	71						0,17	8750087	8751703	
12	173	128						0,21	8750088	8751704	
14	88	43						0,16	8750093	8751709	
14	116	71						0,19	8750094	8751710	
14	173	128						0,26	8750095	8751711	
16	116	71						0,21	8750100	8751716	
16	173	128						0,28	8750101	8751717	
16	202	157						0,32	8750102	8751718	

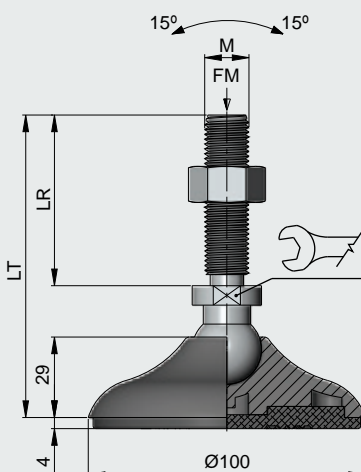


M Base en poliamida reforzada, eje y tuerca s / tabla. Versión antivibración, goma, shore 70.
 Base in reinforced polyamide, spindle and nut as in the table. Antivibration version with-rubber, 70 shore.
 Base en Polyamide Renforcé axe et écrou v / table. Version antivibration, patin, shore 70.
 Fuß aus verstärktem Polyamid, Gewindestange und Mutter siehe Tabelle, schwingungsdämpfende Einlagen aus Gummi in 70° Shore A.

TIPO EJE / SPINDLE TYPE
 TYPE TIGE FILETÉ / SPINDEL-TYP

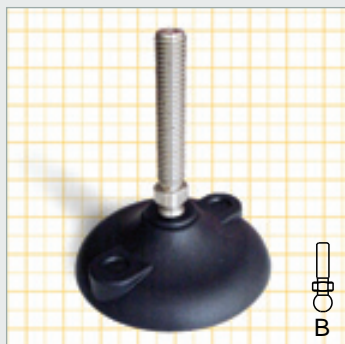


STD.
 - TIPO STANDARD
 - TYPE STANDARD
 - STANDARD VERSION

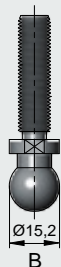


AV.
 - TIPO ANTIVIBRACIÓN
 - TYPE ANTI-VIBRATION
 - SCHWINGUNGSDÄMPFENDE VERSION

M	LT	LR	MAT		TIPO TYPE TYP	Wrench	FM N (Newton)	Kg.	COD STD.	COD AV.	Box
16	100	51	PA6	-	J	24	3.000	0,19	8732258	8732289	25
12	112	63						0,25	8752372	8754422	
12	162	113						0,29	8752373	8754423	
12	212	163	SS303	SS	B	20	15.000	0,31	8752374	8754424	
14	112	63						0,28	8752376	8754426	
14	162	113						0,32	8752377	8754427	
14	212	163						0,37	8752378	8754428	
16	105	56						0,29	8752380	8754430	
16	162	113	SS303	SS	B	20	18.000	0,37	8752381	8754431	
16	202	153						0,42	8752382	8745432	
16	242	193						0,46	8752383	8754433	
20	132	83						0,36	8752385	8754435	20
20	162	113	SS303	-	B	22	18.000	0,42	8752386	8754436	
20	192	143						0,48	8752387	8754437	
20	242	193						0,58	8752388	8754438	
24	132	83						0,44	8752390	8754440	
24	162	113	SS303	-	B	23	18.000	0,52	8752391	8754441	
24	192	143						0,61	8752392	8754442	
24	242	193						0,76	8752393	8754443	
12	112	63						0,25	8752407	8754457	
12	162	113						0,29	8752408	8754458	
12	212	163	ZN	ZN	B	20	15.000	0,31	8752409	8754459	
14	112	63						0,28	8752411	8754461	
14	162	113						0,32	8752412	8754462	
14	212	163						0,37	8752413	8754463	
16	105	56						0,29	8752415	8754465	
16	162	113	ZN	ZN	B	20	18.000	0,37	8752416	8754466	
16	202	153						0,42	8752417	8754467	
16	242	193						0,46	8752418	8754468	
20	132	83						0,36	8752420	8754470	
20	162	113	ZN	-	B	22	18.000	0,42	8752421	8754471	
20	192	143						0,48	8752422	8754472	
20	242	193						0,58	8752423	8754473	
24	132	83						0,44	8752425	8754475	
24	162	113	ZN	-	B	23	18.000	0,52	8752426	8754476	
24	192	143						0,61	8752427	8754477	
24	242	193						0,76	8752428	8754478	



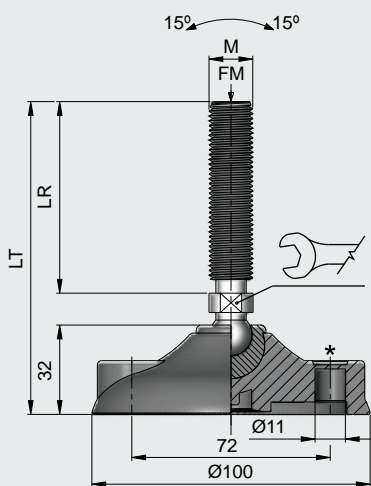
TIPO EJE / SPINDLE TYPE
TYPE TIGE FILETÉ / SPIDEL-TYP



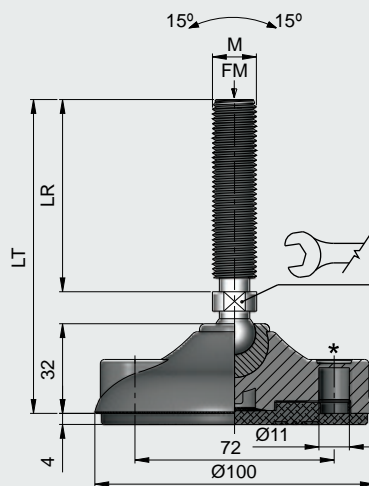
- M** Base en poliamida reforzada, eje s / tabla. Versión antivibración, goma, shore 70.
- Base in reinforced polyamide, spindle as in the table. Antivibration version with-rubber, 70 shore.
- Base en Polyamide Renforcé axe v / table. Version antivibration, patin, shore 70.
- Fuß aus verstärktem Polyamid, Gewindestange siehe Tabelle, schwingungsdämpfende Einlagen aus Gummi in 70° Shore A.

Pie ligero / Light feet
Pied léger / Leichtig-Füße

- * Para utilizar se debe romper el diafragma.
- * To use this hole break the diaphragm
- * Pour fixation au sol casser le diaphragme.
- * Zur Verschraubung im Boden die geschlossene Bohrung durchstoßen.



STD
- TIPO STANDARD
- TYPE STANDARD
- STANDARD VERSION

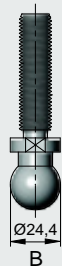


AV
- TIPO ANTIVIBRACIÓN
- TYPE ANTI-VIBRATION
- SCHWINGUNGSDÄMPFENDE VERSION

M	LT	LR	MAT		TIPO TYPE TYP		FM N (Newton)	Kg.	COD STD.	COD AV.	
12	88	43	SS303	-	B	14	12000	0,15	8750190	8751807	5
12	98	53						0,16	8750191	8751808	
12	116	71						0,18	8750192	8751809	
12	173	128						0,22	8750193	8751810	
14	88	43						0,17	8750198	8751815	
14	116	71						0,19	8750199	8751816	
14	173	128						0,26	8750200	8751817	
16	116	71						0,21	8750205	8751822	
16	173	128						0,29	8750207	8751824	
16	202	157						0,33	8750210	8751827	
16	215	170	0,34	8750211	8751828						
12	88	43	ZN	-	B	14	12000	0,15	8750155	8751772	
12	98	53						0,16	8750156	8751773	
12	116	71						0,18	8750157	8751774	
12	173	128						0,22	8750158	8751775	
14	88	43						0,17	8750163	8751780	
14	116	71						0,19	8750164	8751781	
14	173	128						0,26	8750165	8751782	
16	116	71						0,21	8750170	8751787	
16	173	128						0,29	8750172	8751789	
16	202	157						0,33	8750175	8751792	

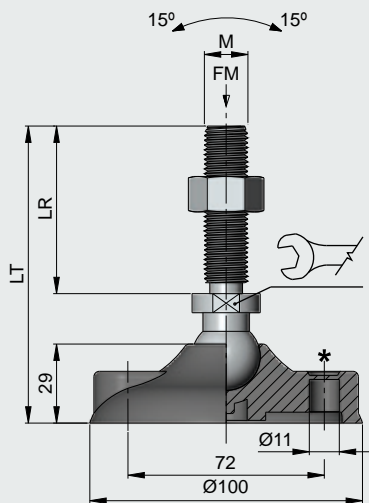


TIPO EJE / SPINDLE TYPE
TYPE TIGE FILETÉ / SPINDEL-TYP

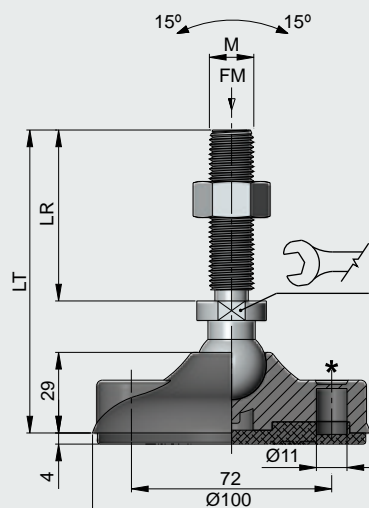


- M** Base en poliamida reforzada, eje y tuerca s / tabla. Versión antivibración, goma, shore 70.
- Base in reinforced polyamide, spindle and nut as in the table. Antivibration version with rubber, 70 shore.
- Base en Polyamide Renforcé axe et écrou v / table. Version antivibration, patin, shore 70.
- Fuß aus verstärktem Polyamid, Gewindestange und Mutter siehe Tabelle, schwingungsdämpfende Einlagen aus Gummi in 70° Shore A.

- * Para utilizar se debe romper el diafragma.
- * To use this hole break the diaphragm
- * Pour fixation au sol casser le diaphragme.
- * Zur Verschraubung im Boden die geschlossene Bohrung durchstoßen.

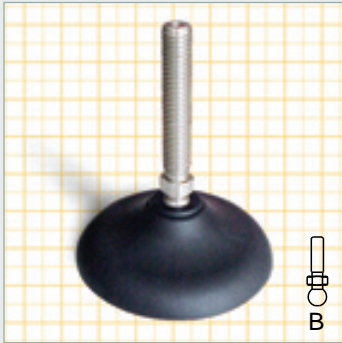


STD.
- TIPO STANDARD
- TYPE STANDARD
- STANDARD VERSION

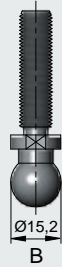


AV.
- TIPO ANTIVIBRACIÓN
- TYPE ANTI-VIBRATION
- SCHWINGUNGSDÄMPFENDE VERSION

M	LT	LR	MAT		TIPO TYPE TYP		FM N (Newton)	Kg.	COD STD	COD AV.	
12	112	63					0,25	8752442	8754492	25	
12	162	113					0,29	8752443	8754493		
12	212	163	SS303	SS	B	20	15.000	0,32	8752444		8754494
14	112	63					0,28	8752446	8754496		
14	162	113					0,33	8752447	8754497		
14	212	163					0,38	8752448	8754498		
16	105	56					0,30	8752450	8754500		
16	162	113	SS303	SS	B	20	18.000	0,37	8752451		8754501
16	202	153					0,42	8752452	8754502		
16	242	193					0,47	8752453	8754503		
20	132	83					0,36	8752455	8754505	20	
20	162	113	SS303	-	B	22	18.000	0,42	8752456		8754506
20	192	143					0,48	8752457	8754507		
20	242	193					0,59	8752458	8754508		
24	132	83					0,44	8752460	8754510		
24	162	113	SS303	-	B	23	18.000	0,52	8752461		8754511
24	192	143					0,61	8752462	8754512		
24	242	193					0,76	8752463	8754513		
12	112	63					0,25	8752477	8754527		25
12	162	113					0,29	8752478	8754528		
12	212	163	ZN	ZN	B	20	15.000	0,32	8752479	8754529	
14	112	63					0,28	8752481	8754531		
14	162	113					0,33	8752482	8754532		
14	212	163					0,38	8752483	8754533		
16	105	56					0,30	8752485	8754535		
16	162	113	ZN	ZN	B	20	18.000	0,37	8752486	8754536	
16	202	153					0,42	8752487	8754537		
16	242	193					0,47	8752488	8754538		
20	132	83					0,36	8752490	8754540	20	
20	162	113	ZN	-	B	22	18.000	0,42	8752491		8754541
20	192	143					0,48	8752492	8754542		
20	242	193					0,59	8752493	8754543		
24	132	83					0,44	8752495	8754545		
24	162	113	ZN	-	B	23	18.000	0,52	8752496		8754546
24	192	143					0,61	8752497	8754547		
24	242	193					0,76	8752498	8754548		

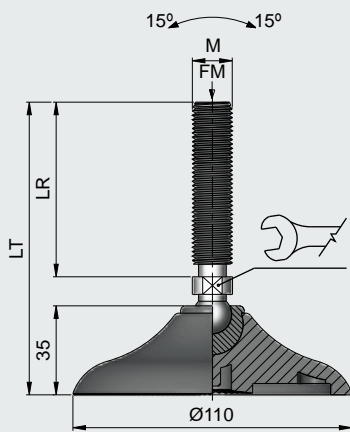


TIPO EJE / SPINDLE TYPE
TYPE TIGE FILETÉ / SPINDEL-TYP



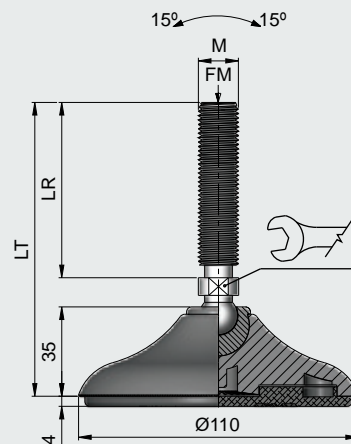
- M** Base en poliamida reforzada, eje s / tabla. Versión antivibración, goma, shore 70.
- Base in reinforced polyamide, spindle as in the table. Antivibration version with-rubber, 70 shore.
- Base en Polyamide Renforcé axe v / table. Version antivibration, patin, shore 70.
- Fuß aus verstärktem Polyamid, Gewindestange siehe Tabelle, schwingungsdämpfende Einlagen aus Gummi in 70° Shore A.

Pie ligero / Light feet
Pied léger / Leichtig-Füße



STD

- TIPO STANDARD
- TYPE STANDARD
- STANDARD VERSION



AV

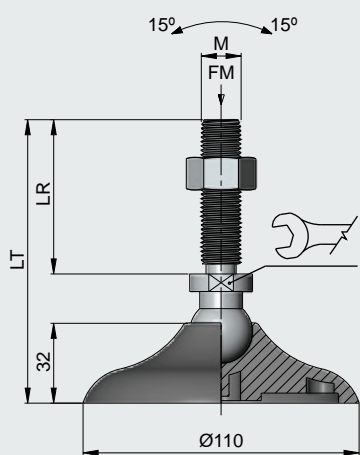
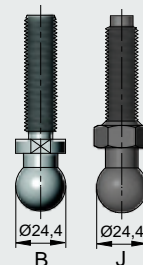
- TIPO ANTIVIBRACIÓN
- TYPE ANTI-VIBRATION
- SCHWINGUNGSDÄMPFENDE VERSION

M	LT	LR	MAT		TIPO TYPE TYP		FM N (Newton)	Kg.	COD STD.	COD AV.		
12	91	43	SS303	-	B	14	12000	0,17	8760225	8761343	25	
12	101	53						0,17	8760226	8761344		
12	119	71						0,19	8760227	8761345		
12	176	128						0,23	8760228	8761346		
14	91	43						0,18	8760229	8761347		
14	119	71						0,21	8760230	8761348		
14	176	128						0,27	8760231	8761349		
16	119	71						0,23	8760232	8761350		
16	176	128						0,30	8760233	8761351		
16	205	157						0,34	8760234	8761352		
16	218	170	0,35	8760235	8761353	20						
12	91	43	ZN	-	B		14	12000	0,17	8760201	8761319	25
12	101	53							0,17	8760202	8761320	
12	119	71							0,19	8760203	8761321	
12	176	128							0,23	8760204	8761322	
14	91	43							0,18	8760207	8761325	
14	119	71							0,21	8760208	8761326	
14	176	128							0,27	8760209	8761327	
16	119	71							0,23	8760211	8761329	
16	176	128							0,30	8760212	8761330	
16	205	157				0,34			8760213	8761331	20	

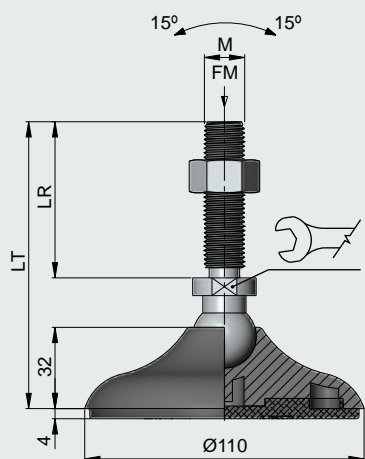


M Base en poliamida reforzada, eje y tuerca s / tabla. Versión antivibración, goma, shore 70.
 Base in reinforced polyamide, spindle and nut as in the table. Antivibration version with-rubber, 70 shore.
 Base en Polyamide Renforcé axe et écrou v / table. Version antivibration, patin, shore 70.
 Fuß aus verstärktem Polyamid, Gewindestange und Mutter siehe Tabelle, schwingungsdämpfende Einlagen aus Gummi in 70° Shore A.

**TIPO EJE / SPINDLE TYPE
TYPE TIGE FILETÉ / SPINDEL-TYP**

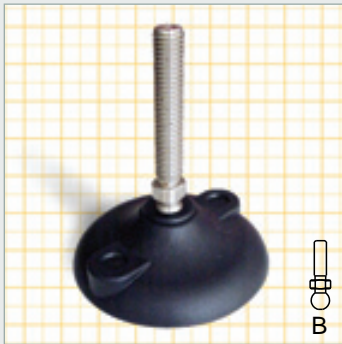


STD.
 - TIPO STANDARD
 - TYPE STANDARD
 - STANDARD VERSION

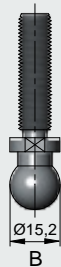


AV.
 - TIPO ANTIVIBRACIÓN
 - TYPE ANTI-VIBRATION
 - SCHWINGUNGSDÄMPFENDE VERSION

M	LT	LR	MAT		TIPO TYPE TYP		FM N (Newton)	Kg.	COD STD	COD AV.	
16	100	51	PA6	-	J	24	3.000	0,20	8732266	8732295	20
12	115	63						0,27	8762512	8764562	
12	165	113						0,30	8762513	8764563	
12	215	163						0,33	8762514	8764564	
14	115	63	SS303	SS	B	20	15.000	0,29	8762516	8764566	25
14	165	113						0,34	8762517	8764567	
14	215	163						0,39	8762518	8764568	
16	108	56						0,31	8762520	8764570	
16	165	113	SS303	SS	B	20	18.000	0,38	8762521	8764571	20
16	205	153						0,43	8762522	8764572	
16	245	193						0,48	8762523	8764573	
20	135	83						0,37	8762525	8764575	
20	165	113	SS303	-	B	22	18.000	0,44	8762526	8764576	15
20	195	143						0,49	8762527	8764577	
20	245	193						0,60	8762528	8764578	
24	135	83						0,45	8762530	8764580	
24	165	113	SS303	-	B	23	18.000	0,53	8762531	8764581	10
24	195	143						0,63	8762532	8764582	
24	245	193						0,77	8762533	8764583	
12	115	63						0,27	8762547	8764597	
12	165	113						0,30	8762548	8764598	
12	215	163						0,33	8762549	8764599	
14	115	63	ZN	ZN	B	20	15.000	0,29	8762551	8764601	25
14	165	113						0,34	8762552	8764602	
14	215	163						0,39	8762553	8764603	
16	108	56						0,31	8762555	8764605	
16	165	113						0,38	8762556	8764606	
16	205	153	ZN	ZN	B	20	18.000	0,43	8762557	8764607	20
16	245	193						0,48	8762558	8764608	
20	135	83						0,37	8762560	8764610	
20	165	113						0,44	8762561	8764611	
20	195	143	ZN	-	B	22	18.000	0,49	8762562	8764612	15
20	245	193						0,60	8762563	8764613	
24	135	83						0,45	8762565	8764615	
24	165	113						0,53	8762566	8764616	
24	195	143	ZN	-	B	23	18.000	0,63	8762567	8764617	10
24	245	193						0,77	8762568	8764618	



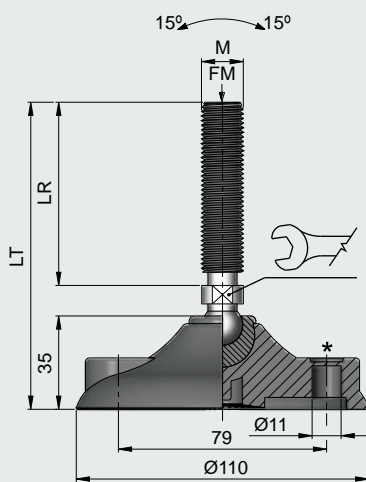
TIPO EJE / SPINDLE TYPE
TYPE TIGE FILETÉ / SPINDEL-TYP



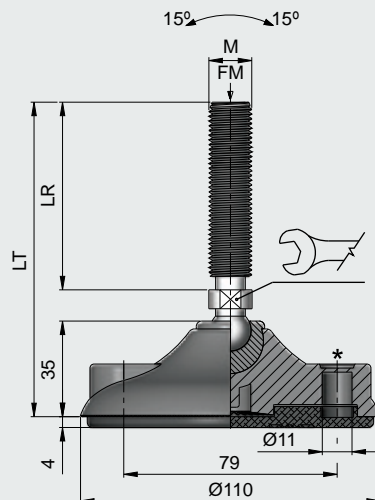
- M** Base en poliamida reforzada, eje s / tabla. Versión antivibración, goma, shore 70.
- Base in reinforced polyamide, spindle as in the table. Antivibration version with-rubber, 70 shore.
- Base en Polyamide Renforcé axe v / table. Version antivibration, patin, shore 70.
- Fuß aus verstärktem Polyamid, Gewindestange siehe Tabelle, schwingungsdämpfende Einlagen aus Gummi in 70° Shore A.

Pie ligero / Light feet
Pied léger / Leichtig-Füße

- * Para utilizar se debe romper el diafragma.
- * To use this hole break the diaphragm
- * Pour fixation au sol casser le diaphragme.
- * Zur Verschraubung im Boden die geschlossene Bohrung durchstoßen.

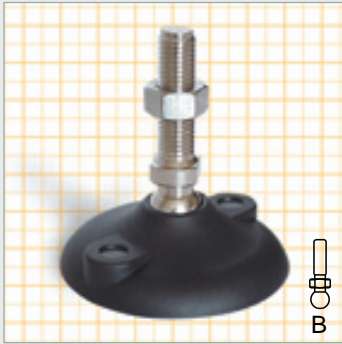


STD.
- TIPO STANDARD
- TYPE STANDARD
- STANDARD VERSION

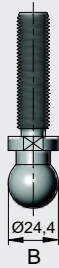


AV.
- TIPO ANTIVIBRACIÓN
- TYPE ANTI-VIBRATION
- SCHWINGUNGSDÄMPFENDE VERSION

M	LT	LR	MAT		TIPO TYPE TYP		FM N (Newton)	Kg.	COD STD.	COD AV.	
12	91	43	SS303	-	B	14	12000	0,17	8760279	8761389	25
12	101	53						0,18	8760280	8761390	
12	119	71						0,19	8760281	8761391	
12	176	128						0,23	8760282	8761392	
14	91	43						0,18	8760283	8761393	
14	119	71						0,21	8760284	8761394	
14	176	128						0,28	8760285	8761395	
16	119	71						0,23	8760286	8761396	
16	176	128						0,30	8760287	8761397	
16	205	157						0,34	8760288	8761398	
16	218	170	0,36	8760289	8761399	20					
12	91	43	ZN	-	B		14	12000	0,17	8760255	8761365
12	101	53							0,18	8760256	8761366
12	119	71							0,19	8760257	8761367
12	176	128							0,23	8760258	8761368
14	91	43							0,18	8760261	8761371
14	119	71							0,21	8760262	8761372
14	176	128							0,28	8760263	8761373
16	119	71							0,23	8760265	8761375
16	176	128							0,30	8760266	8761376
16	205	157				0,34			8760267	8761377	20

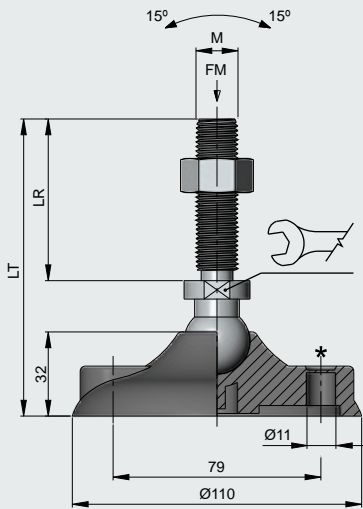


TIPO EJE / SPINDLE TYPE
TYPE TIGE FILETÉ / SPINDEL-TYP



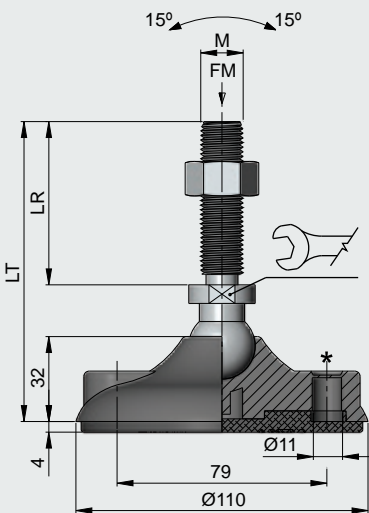
M Base en poliamida reforzada, eje y tuerca s / tabla. Versión antivibración, goma, shore 70.
 Base in reinforced polyamide, spindle and nut as in the table. Antivibration version with-rubber, 70 shore.
 Base en Polyamide Renforcé axe et écrou v / table. Version antivibration, patin, shore 70.
 Fuß aus verstärktem Polyamid, Gewindestange und Mutter siehe Tabelle, schwingungsdämpfende Einlagen aus Gummi in 70° Shore A.

- * Para utilizar se debe romper el diafragma.
- * To use this hole break the diaphragm
- * Pour fixation au sol casser le diaphragme.
- * Zur Verschraubung im Boden die geschlossene Bohrung durchstoßen.



STD.

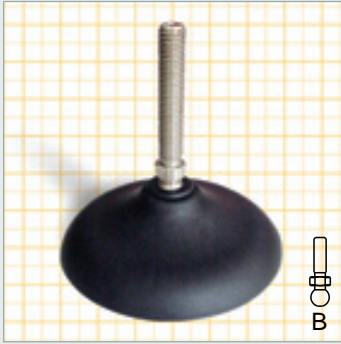
- TIPO STANDARD
- TYPE STANDARD
- STANDARD VERSION



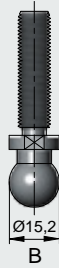
AV.

- TIPO ANTIVIBRACIÓN
- TYPE ANTI-VIBRATION
- SCHWINGUNGSDÄMPFENDE VERSION

M	LT	LR	MAT		TIPO TYPE TYP		FM N (Newton)	Kg.	COD STD	COD AV.	
12	115	63					0,27	8762572	8764622	25	
12	165	113					0,31	8762573	8764623		
12	215	163	SS303	SS	B	20	15.000	0,33	8762574		8764624
14	115	63					0,29	8762576	8764626	20	
14	165	113					0,34	8762577	8764627		
14	215	163					0,39	8762578	8764628		
16	108	56					0,31	8762580	8764630	20	
16	165	113	SS303	SS	B	20	18.000	0,39	8762581		8764631
16	205	153					0,44	8762582	8764632		
16	245	193					0,48	8762583	8762633	15	
20	135	83					0,37	8762585	8764635		
20	165	113	SS303	-	B	22	18.000	0,44	8762586		8764636
20	195	143					0,50	8762587	8764637	10	
20	245	193					0,60	8762588	8764638		
24	135	83					0,45	8762590	8764640		
24	165	113	SS303	-	B	23	18.000	0,53	8762591	8764641	25
24	195	143					0,63	8762592	8764642		
24	245	193					0,77	8762593	8764643		
12	115	63					0,27	8762607	8764657	25	
12	165	113					0,31	8762608	8764658		
12	215	163					0,33	8762609	8764659		
14	115	63	ZN	ZN	B	20	15.000	0,29	8762611	8764661	20
14	165	113					0,34	8762612	8764662		
14	215	163					0,39	8762613	8764663		
16	108	56					0,31	8762615	8764665	20	
16	165	113	ZN	ZN	B	20	18.000	0,39	8762616		8764666
16	205	153					0,44	8762617	8764667		
16	245	193					0,48	8762618	8764668	15	
20	135	83					0,37	8762620	8764670		
20	165	113	ZN	-	B	22	18.000	0,44	8762621		8764671
20	195	143					0,50	8762622	8764672	10	
20	245	193					0,60	8762623	8764673		
24	135	83					0,45	8762625	8764675		
24	165	113	ZN	-	B	23	18.000	0,53	8762626	8764676	25
24	195	143					0,63	8762627	8764677		
24	245	193					0,77	8762628	8764678		

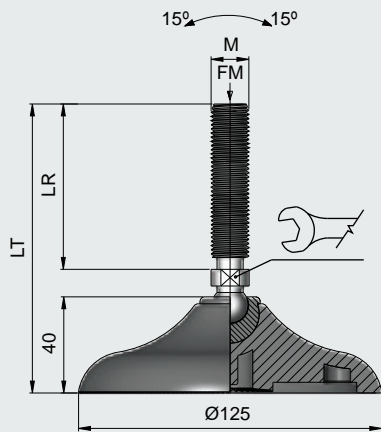


TIPO EJE / SPINDLE TYPE
TYPE TIGE FILETÉ / SPINDEL-TYP



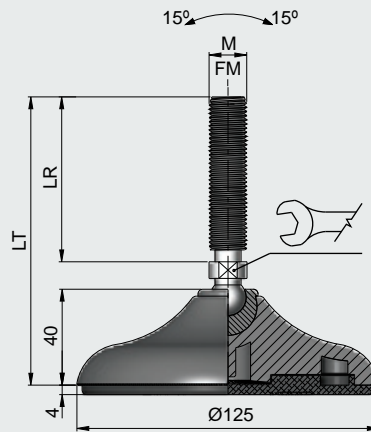
- M** Base en poliamida reforzada, eje s / tabla. Versión antivibración, goma, shore 70.
- Base in reinforced polyamide, spindle as in the table. Antivibration version with-rubber, 70 shore.
- Base en Polyamide Renforcé axe v / table. Version antivibration, patin, shore 70.
- Fuß aus verstärktem Polyamid, Gewindestange siehe Tabelle, schwingungsdämpfende Einlagen aus Gummi in 70° Shore A.

Pie ligero / Light feet
Pied léger / Leichtig-Füße



STD.

- TIPO STANDARD
- TYPE STANDARD
- STANDARD VERSION



AV.

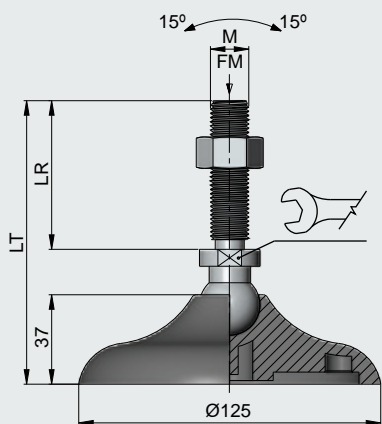
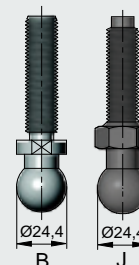
- TIPO ANTIVIBRACIÓN
- TYPE ANTI-VIBRATION
- SCHWINGUNGSDÄMPFENDE VERSION

M	LT	LR	MAT		TIPO TYPE TYP		FM N (Newton)	Kg.	COD STD.	COD AV.	
12	96	43	SS303	-	B	14	12000	0,23	8770364	8771465	15
12	106	53						0,23	8770365	8771466	
12	124	71						0,25	8770366	8771467	
12	181	128						0,29	8770367	8771468	
14	96	43						0,24	8770368	8771469	
14	124	71						0,27	8770369	8771470	
14	181	128						0,33	8770370	8771471	
16	124	71						0,29	8770371	8771472	
16	181	128						0,36	8770372	8771473	
16	210	157						0,40	8770373	8771474	
16	223	170	0,41	8770374	8771475	10					
12	96	43	ZN	-	B		14	12000	0,23	8770340	8771441
12	106	53							0,23	8770341	8771442
12	124	71							0,25	8770342	8771443
12	181	128							0,29	8770343	8771444
14	96	43							0,24	8770346	8771447
14	124	71							0,27	8770347	8771448
14	181	128							0,33	8770348	8771449
16	124	71							0,29	8770350	8771451
16	181	128							0,36	8770351	8771452
16	210	157				0,40			8770352	8771453	

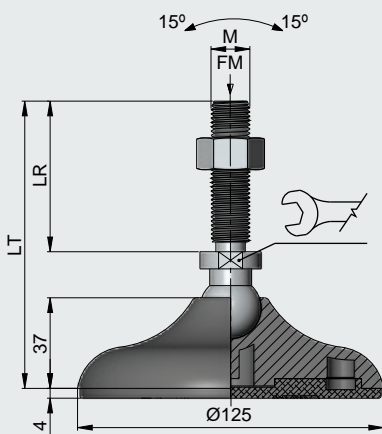


M Base en poliamida reforzada, eje y tuerca s / tabla. Versión antivibración, goma, shore 70.
 Base in reinforced polyamide, spindle and nut as in the table. Antivibration version with-rubber, 70 shore.
 Base en Polyamide Renforcé axe et écrou v / table. Version antivibration, patin, shore 70.
 Fuß aus verstärktem Polyamid, Gewindestange und Mutter siehe Tabelle, schwingungsdämpfende Einlagen aus Gummi in 70° Shore A.

TIPO EJE / SPINDLE TYPE
 TYPE TIGE FILETÉ / SPINDEL-TYP



STD.
 - TIPO STANDARD
 - TYPE STANDARD
 - STANDARD VERSION

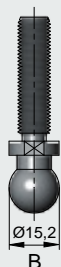


AV.
 - TIPO ANTIVIBRACIÓN
 - TYPE ANTI-VIBRATION
 - SCHWINGUNGSDÄMPFENDE VERSION

M	LT	LR	MAT		TIPO TYPE TYP		FM N (Newton)	Kg.	COD STD	COD AV.	
16	100	51	PA6	-	J	24	3.000	0,26	8732274	8732299	10
12	120	63						0,33	8772642	8774692	
12	170	113						0,36	8772643	8774693	
12	220	163	SS303	SS	B	20	15.000	0,39	8772644	8774694	15
14	120	63						0,35	8772646	8774696	
14	170	113						0,40	8772647	8774697	
14	220	163						0,45	8772648	8774698	
16	113	56						0,37	8772650	8774700	
16	170	113	SS303	SS	B	20	18.000	0,45	8772651	8774701	10
16	210	153						0,49	8772652	8774702	
16	250	193						0,54	8772653	8774703	
20	140	83						0,43	8772655	8774705	
20	170	113	SS303	-	B	22	18.000	0,50	8772656	8774706	10
20	200	143						0,55	8772657	8774707	
20	250	193						0,66	8772658	8774708	
24	140	83						0,51	8772660	8774710	
24	170	113	SS303	-	B	23	18.000	0,59	8772661	8774711	6
24	200	143						0,69	8772662	8774712	
24	250	193						0,83	8772663	8774713	
12	120	63						0,33	8772677	8774727	
12	170	113						0,36	8772678	8774728	
12	220	163						0,39	8772679	8774729	
14	120	63	ZN	ZN	B	20	15.000	0,35	8772681	8774731	15
14	170	113						0,40	8772682	8774732	
14	220	163						0,45	8772683	8774733	
16	113	56						0,37	8772685	8774735	
16	170	113	ZN	ZN	B	20	18.000	0,45	8772686	8774736	10
16	210	153						0,49	8772687	8774737	
16	250	193						0,54	8772688	8774738	
20	140	83						0,43	8772690	8774740	
20	170	113	ZN	-	B	22	18.000	0,50	8772691	8774741	10
20	200	143						0,55	8772692	8774742	
20	250	193						0,66	8772693	8774743	
24	140	83						0,51	8772695	8774745	
24	170	113	ZN	-	B	23	18.000	0,59	8772696	8774746	6
24	200	143						0,69	8772697	8774747	
24	250	193						0,83	8772698	8774748	



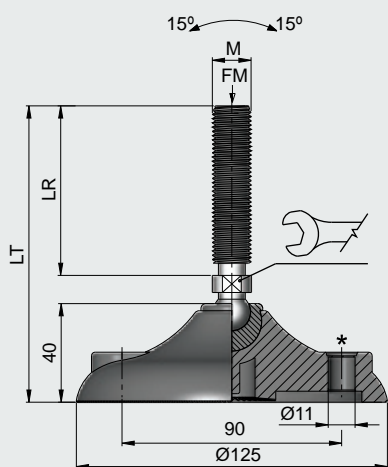
TIPO EJE / SPINDLE TYPE
TYPE TIGE FILETÉ / SPINDEL-TYP



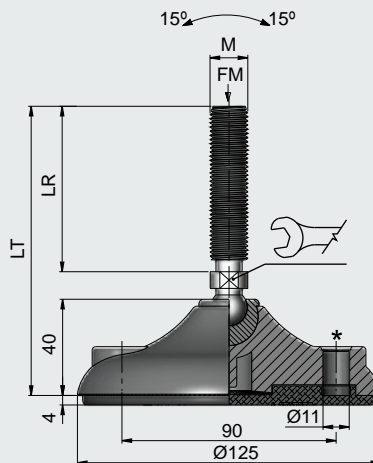
M Base en poliamida reforzada, eje s / tabla. Versión antivibración, goma, shore 70.
 Base in reinforced polyamide, spindle as in the table. Antivibration version with-rubber, 70 shore.
 Base en Polyamide Renforcé axe v / table. Version antivibration, patin, shore 70.
 Fuß aus verstärktem Polyamid, Gewindestange siehe Tabelle, schwingungsdämpfende Einlagen aus Gummi in 70° Shore A.

- * Para utilizar se debe romper el diafragma.
- * To use this hole break the diaphragm
- * Pour fixation au sol casser le diaphragme.
- * Zur Verschraubung im Boden die geschlossene Bohrung durchstoßen.

Pie ligero / Light feet
Pied léger / Leichtig-Füße



STD.
- TIPO STANDARD
- TYPE STANDARD
- STANDARD VERSION



AV.
- TIPO ANTIVIBRACIÓN
- TYPE ANTI-VIBRATION
- SCHWINGUNGSDÄMPFENDE VERSION

M	LT	LR	MAT		TIPO TYPE TYP		FM N (Newton)	Kg.	COD STD.	COD AV.	
12	96	43	SS303	-	B	14	12000	0,23	8770409	8771510	15
12	106	53						0,24	8770410	8771511	
12	124	71						0,25	8770411	8771513	
12	181	128						0,29	8770412	8771514	
14	96	43						0,24	8770413	8771516	
14	124	71						0,27	8770414	8771517	
14	181	128						0,33	8770415	8771519	
16	124	71						0,29	8770416	8771520	
16	181	128						0,36	8770417	8771521	
16	210	157						0,40	8770418	8771522	
16	223	170	0,42	8770419	8771523						
12	96	43	ZN	-	B	14	12000	0,23	8770385	8771486	15
12	106	53						0,24	8770386	8771487	
12	124	71						0,25	8770387	8771488	
12	181	128						0,29	8770388	8771489	
14	96	43						0,24	8770391	8771492	
14	124	71						0,27	8770392	8771493	
14	181	128						0,33	8770393	8771494	
16	124	71						0,29	8770395	8771496	
16	181	128						0,36	8770396	8771497	
16	210	157						0,40	8770397	8771498	

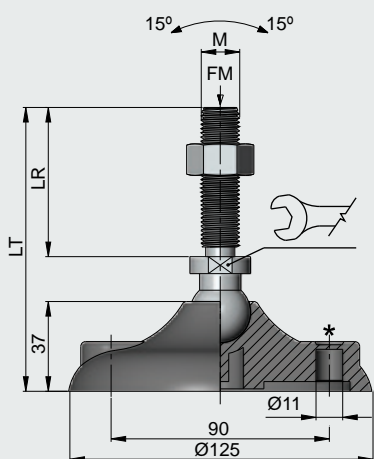


TIPO EJE / SPINDLE TYPE
TYPE TIGE FILETÉ / SPINDEL-TYP



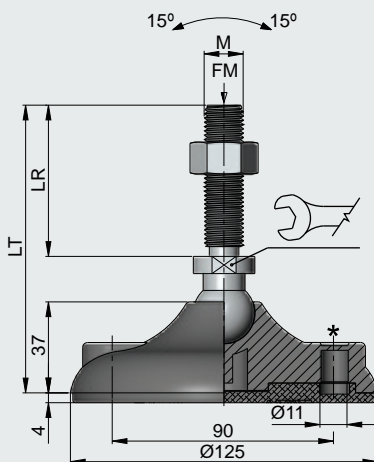
M Base en poliamida reforzada, eje y tuerca s / tabla. Versión antivibración, goma, shore 70.
 Base in reinforced polyamide, spindle and nut as in the table. Antivibration version with-rubber, 70 shore.
 Base en Polyamide Renforcé axe et écrou v / table. Version antivibration, patin, shore 70.
 Fuß aus verstärktem Polyamid, Gewindestange und Mutter siehe Tabelle, schwingungsdämpfende Einlagen aus Gummi in 70° Shore A.

- * Para utilizar se debe romper el diafragma.
- * To use this hole break the diaphragm
- * Pour fixation au sol casser le diaphragme.
- * Zur Verschraubung im Boden die geschlossene Bohrung durchstoßen.



STD

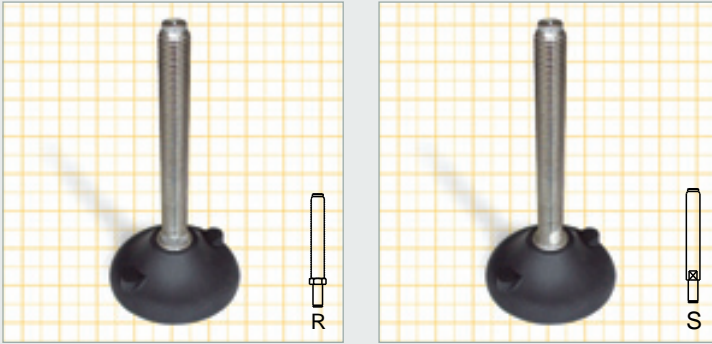
- TIPO STANDARD
 - TYPE STANDARD
 - STANDARD VERSION



AV

- TIPO ANTIVIBRACIÓN
 - TYPE ANTI-VIBRATION
 - SCHWINGUNGSDÄMPFENDE VERSION

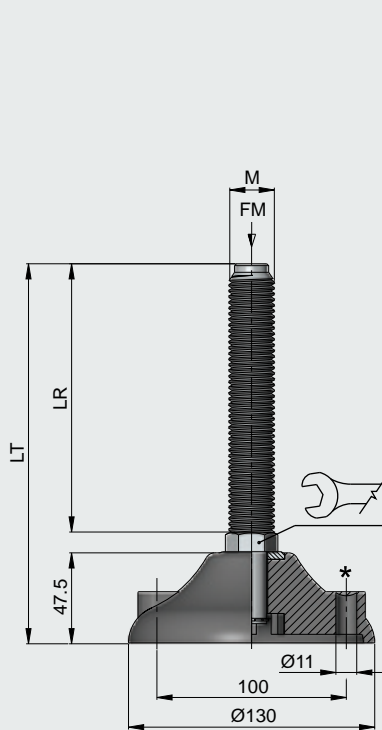
M	LT	LR	MAT		TIPO TYPE TYP	Wrench	FM N (Newton)	Kg.	COD STD	COD AV.	Box
			Wrench	Wrench							
12	120	63						0,33	8772712	8774762	15
12	170	113						0,36	8772713	8774763	
12	220	163	SS303	SS	B	20	15.000	0,39	8772714	8774764	
14	120	63						0,35	8772716	8774766	15
14	170	113						0,40	8772717	8774767	
14	220	163						0,45	8772718	8774768	
16	113	56						0,37	8772720	8774770	15
16	170	113	SS303	SS	B	20	18.000	0,45	8772721	8774771	
16	210	153						0,50	8772722	8774772	
16	250	193						0,54	8772723	8774773	15
20	140	83						0,43	8772725	8774775	
20	170	113	SS303	-	B	22	18.000	0,50	8772726	8774776	
20	200	143						0,56	8772727	8774777	6
20	250	193						0,66	8772728	8774778	
24	140	83						0,51	8772730	8774780	
24	170	113	SS303	-	B	23	18.000	0,59	8772731	8774781	6
24	200	143						0,69	8772732	8774782	
24	250	193						0,83	8772733	8774783	
12	120	63						0,33	8772747	8774797	15
12	170	113						0,36	8772748	8774798	
12	220	163	ZN	ZN	B	20	15.000	0,39	8772749	8774799	
14	120	63						0,35	8772751	8774801	15
14	170	113						0,40	8772752	8774802	
14	220	163						0,45	8772753	8774803	
16	113	56						0,37	8772755	8774805	10
16	170	113	ZN	ZN	B	20	18.000	0,45	8772756	8774806	
16	210	153						0,50	8772757	8774807	
16	250	193						0,54	8772758	8774808	10
20	140	83						0,43	8772760	8774810	
20	170	113	ZN	-	B	22	18.000	0,50	8772761	8774811	
20	200	143						0,56	8772762	8774812	6
20	250	193						0,66	8772763	8774813	
24	140	83						0,51	8772765	8774815	
24	170	113	ZN	-	B	23	18.000	0,59	8773766	8774816	6
24	200	143						0,69	8772767	8774817	
24	250	193						0,83	8772768	8774818	



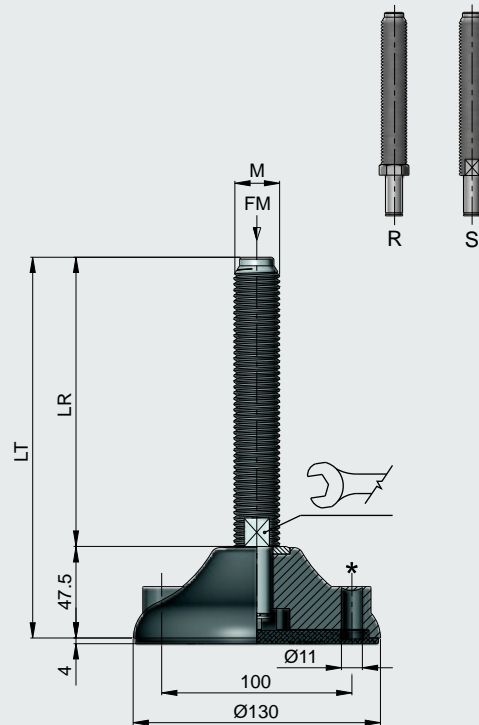
- M** Base en poliamida reforzada, eje s / tabla. Versión antivibración, goma, shore 70.
- Base in reinforced polyamide, spindle as in the table. Antivibration version with-rubber, 70 shore.
- Base en Polyamide Renforcé axe v / table. Version antivibration, patin, shore 70.
- Fuß aus verstärktem Polyamid, Gewindestange siehe Tabelle, schwingungsdämpfende Einlagen aus Gummi in 70° Shore A.

- * Para utilizar se debe romper el diafragma.
- * To use this hole break the diaphragm
- * Pour fixation au sol casser le diaphragme.
- * Zur Verschraubung im Boden die geschlossene Bohrung durchstoßen.

TIPO EJE / SPINDLE TYPE
TYPE TIGE FILETÉ / SPINDEL-TYP

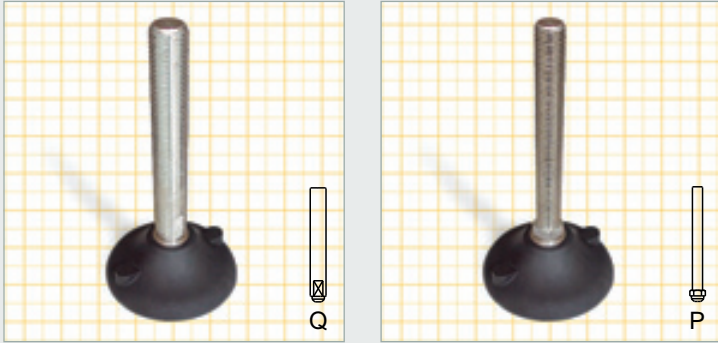


STD.
- TIPO STANDARD
- TYPE STANDARD
- STANDARD VERSION



AV.
- TIPO ANTIVIBRACIÓN
- TYPE ANTI-VIBRATION
- SCHWINGUNGSDÄMPFENDE VERSION

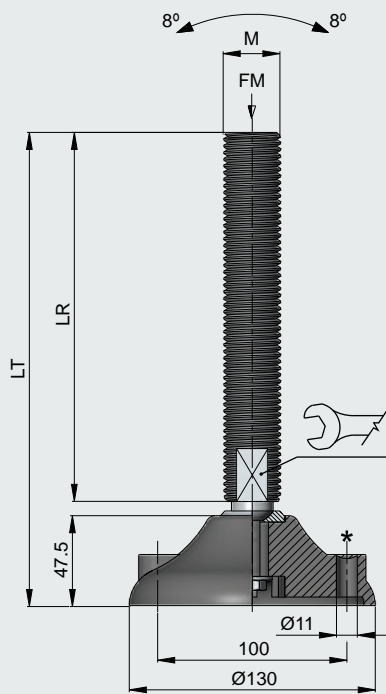
M	LT	LR	MAT	TIPO TYPE TYP		FM N (Newton)	Kg.	COD STD.	COD AV.					
16	150	92	SS303	R	22	35.000	0,40	8790507	8792810	6				
16	200	142					0,46	8790510	8792817					
20	150	92					0,51	8790525	8792832					
20	200	142					0,61	8790529	8792837					
24	150	102					0,64	8790540	8792843					
24	200	152		S	20		0,79	8790546	8792849					
30	150	102					0,88	8790560	8792870					
30	200	152					1,12	8790571	8792875					
16	150	92					ZN	R	35.000		0,40	8790670	8792881	6
16	200	142									0,46	8790673	8792885	
20	150	92	0,51	8790705	8792901									
20	200	142	0,61	8790708	8792906									
24	150	102	0,64	8790719	8792925									
24	200	152	S	20	0,79	8790723		8792928						
30	150	102			0,88	8790732		8792940						
30	200	152			1,12	8790735		8792946						



- M** Base en poliamida reforzada, eje s / tabla. Versión antivibración, goma, shore 70.
- Base in reinforced polyamide, spindle as in the table. Antivibration version with-rubber, 70 shore.
- Base en Polyamide Renforcé axe v / table. Version antivibration, patin, shore 70.
- Fuß aus verstärktem Polyamid, Gewindestange siehe Tabelle, schwingungsdämpfende Einlagen aus Gummi in 70° Shore A.

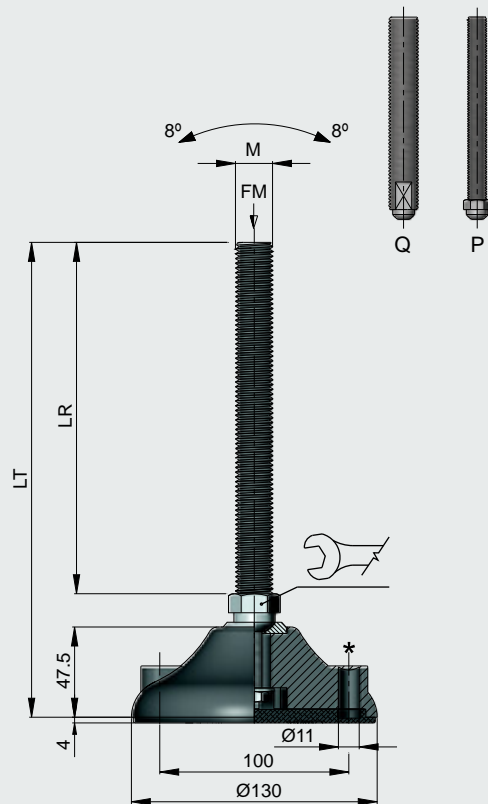
- * Para utilizar se debe romper el diafragma.
- * To use this hole break the diaphragm
- * Pour fixation au sol casser le diafragme.
- * Zur Verschraubung im Boden die geschlossene Bohrung durchstoßen.

TIPO EJE / SPINDLE TYPE
TYPE TIGE FILETÉ / SPINDEL-TYP



STD.

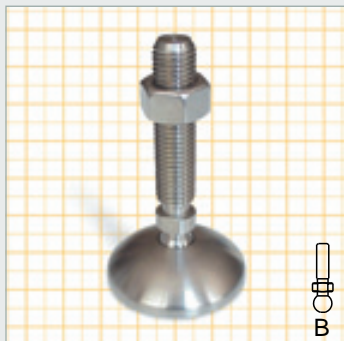
- TIPO STANDARD
- TYPE STANDARD
- STANDARD VERSION



AV.

- TIPO ANTIVIBRACIÓN
- TYPE ANTI-VIBRATION
- SCHWINGUNGSDÄMPFENDE VERSION

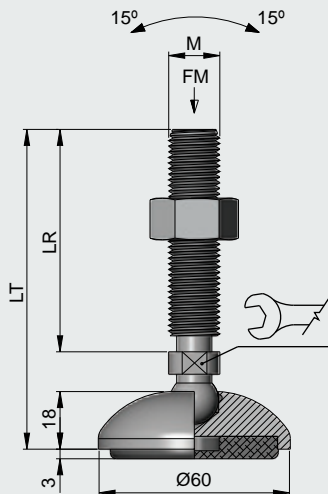
M	LT	LR	MAT	TIPO TYPE TYP		FM N (Newton)	Kg.	COD STD.	COD AV.	
16	200	135	SS303	P	22	35.000	0,42	8781105	8783025	6
20	200	135					0,54	8781120	8783045	
20	250	185					0,64	8781126	8783051	
24	200	145					0,68	8781142	8783068	
24	250	195					0,83	8781148	8783074	
30	200	145					0,95	8781166	8783086	
30	250	195	ZN	Q	25	1,19	8781171	8783093	6	
16	200	135				0,42	8781303	8783205		
20	200	135				0,54	8781321	8783218		
20	250	185				0,64	8781336	8783226		
24	200	145				0,68	8781366	8783239		
24	250	195				0,83	8781372	8783247		
30	200	145	Q	25	0,95	8781397	8783265	6		
30	250	195			1,19	8781403	8783273			



TIPO EJE / SPINDLE TYPE
TYPE TIGE FILETÉ / SPINDEL-TYP



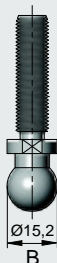
- M** Base en Acero Inoxidable, eje y tuerca s / tabla. Goma, shore 70.
 Base in Stainless Steel, spindle and nut as in the table. Rubber, 70 shore.
 Base en Acier Inox. axe et écrou v / table. Patin, shore 70.
 Fuß aus Edelstahl, Gewindestange und Mutter siehe Tabelle. Aus Gummi in 70° Shore A.



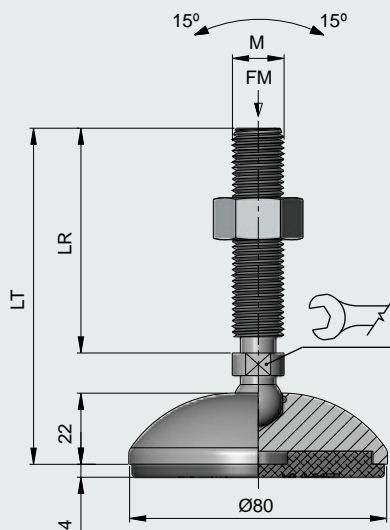
M	LT	LR	MAT		TIPO TYPE TYP		FM N (Newton)	Kg.	COD.	
10	75	43	SS303	SS	B	14	12.000	0,23	8531050	25
10	103	71						0,24	8531056	
10	160	128						0,27	8531061	
12	75	43					0,24	8531074		
12	103	71					0,26	8531080		
12	160	128					0,30	8531088		
14	75	43					0,26	8531101		
14	103	71					15.000	0,29	8531104	
14	160	128					0,36	8531112		
16	103	71					18.000	0,31	8531125	
16	160	128					0,39	8531128		
16	189	157					0,43	8531133		
16	202	170					0,44	8531139		



TIPO EJE / SPINDLE TYPE
 TYPE TIGE FILETÉ / SPINDEL-TYP

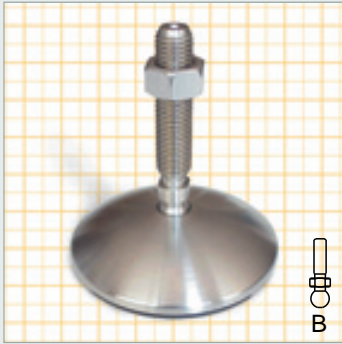


- M** Base en Acero Inoxidable, eje y tuerca s / tabla. Goma, shore 70.
 Base in Stainless Steel, spindle and nut as in the table. Rubber, 70 shore.
 Base en Acier Inox. axe et écrou v / table. Patin, shore 70.
 Fuß aus Edelstahl, Gewindestange und Mutter siehe Tabelle. Aus Gummi in 70° Shore A.

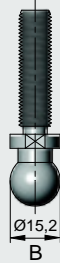


M	LT	LR	MAT		TIPO TYPE TYP	N	FM N (Newton)	Kg.	COD.	
10	79	43	SS303	SS	B	14	12.000	0,45	8540358	25
10	107	71						0,46	8540364	15
10	164	128						0,49	8540369	10
12	79	43					15.000	0,47	8540382	25
12	107	71						0,49	8540388	15
12	164	128						0,53	8540396	10
14	79	43					15.000	0,48	8540409	25
14	107	71						0,51	8540412	15
14	164	128						0,58	8540420	10
16	107	71					18.000	0,54	8540433	15
16	164	128						0,62	8540436	10
16	193	157						0,65	8540441	10
16	206	170						0,66	8540447	10

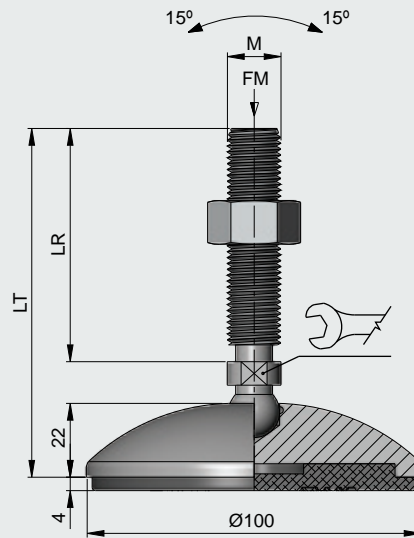
PIE REGULABLE INOXIDABLE Ø100 / ARTICULATED FEET STAINLESS Ø100
PIED RÉGLABLE INOXYDABLE Ø100 / GELENKFÜSSE EDELSTAHL Ø100



TIPO EJE / SPINDLE TYPE
 TYPE TIGE FILETÉ / SPINDEL-TYP



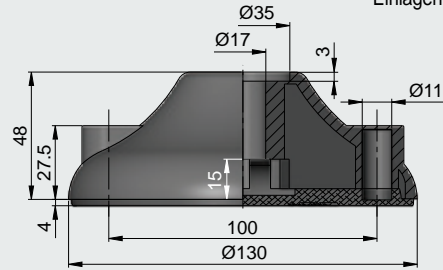
- M** Base en Acero Inoxidable, eje y tuerca s / tabla. Goma, shore 70.
- Base in Stainless Steel, spindle and nut as in the table. Rubber, 70 shore.
- Base en Acier Inox. axe et écrou v / table. Patin, shore 70.
- Fuß aus Edelstahl, Gewindestange und Mutter siehe Tabelle. Aus Gummi in 70° Shore A.



M	LT	LR	MAT		TIPO TYPE TYP		FM N (Newton)	Kg.	COD.	
10	79	43	SS303	SS	B	14	12.000	0,66	8551615	15
10	107	71						0,67	8551621	
10	164	128						0,70	8551626	
12	79	43					0,67	8551639		
12	107	71					0,70	8551645		
12	164	128					0,74	8551653		
14	79	43					0,69	8551666		
14	107	71					0,72	8551669		
14	164	128					0,79	8551677		
16	107	71					0,75	8551690		
16	164	128					0,83	8551693		
16	193	157					0,86	8551698		
16	206	170					0,87	8551704		

BASE PIE Ø130 / FEET BASE Ø130

EMBASE PIED Ø130 / FUSS Ø130

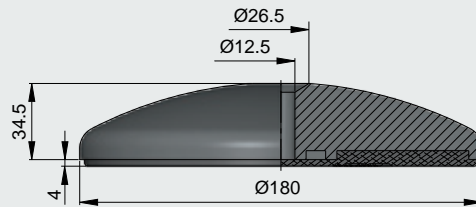
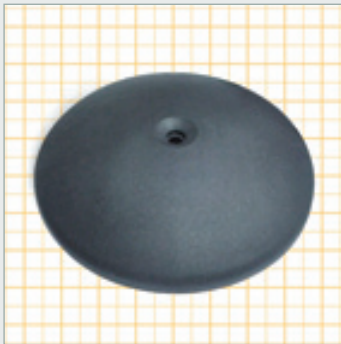


- M** Poliamida reforzada. Versión antivibración, goma, shore 70.
 Reinforced Polyamide. Antivibration version with-rubber, 70 shore.
 Polyamide Renforcé. Version antivibration, patin, shore 70.
 Aus verstärktem Polyamid. Schwingungsdämpfende Einlagen aus Gummi in 70° Shore A.

Kg	COD STD.	COD AV.	
0,21	8781075	8783010	15

BASE PIE Ø180 / FEET BASE Ø180

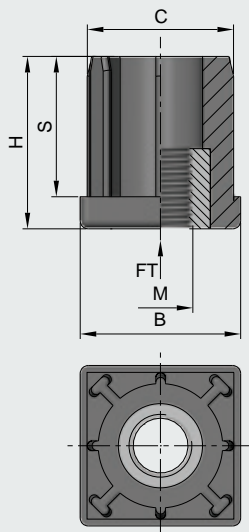
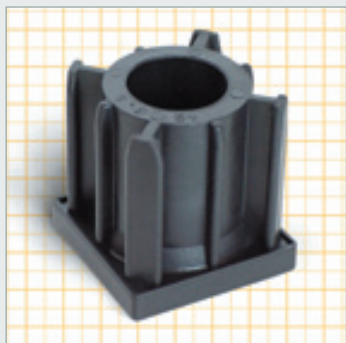
EMBASE PIED Ø180 / FUSS Ø180



- M** Poliamida reforzada. Versión antivibración, goma, shore 70.
 Reinforced Polyamide. Antivibration version with-rubber, 70 shore.
 Polyamide Renforcé. Version antivibration, patin, shore 70.
 Aus verstärktem Polyamid. Schwingungsdämpfende Einlagen aus Gummi in 70° Shore A.

Kg	COD STD.	COD AV.	
0,35	8785080	8785085	15



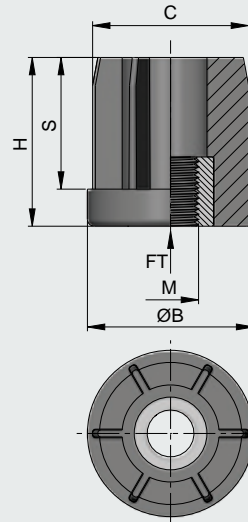
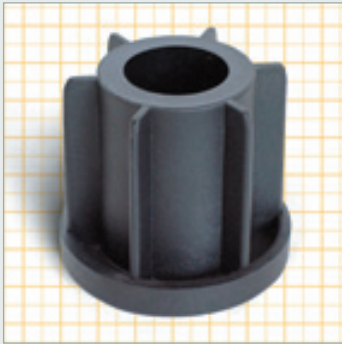


- M**
- Poliamida reforzada, casquillo de latón niquelado.
 - Reinforced Polyamide, bush in nickel plated brass.
 - Polyamide renforcé, douille en laiton nickelé.
 - Verstärktes Polyamid. Gewindebuchse aus vernickeltem Messing.



FT : Carga Máxima estática. / Max. Static load. / Charge statique maximun. / Max. statische Belastung

M	B	C	H	S	TUBO CUADRADO / SQUARE TUBES TUBE CARRÉ / VIERKANTROHR			FT N (newton)	Kg.	COD.	
					∅EXT.	∅INT.	ESPESOR / THICKNESS SECTION / WANDSTARKE				
8	25	22,5	30	25	25	22	1,5	5000	0,04	1482201	100
10									0,04	1482205	
12									0,04	1482209	
10	30	27,5	33	27	30	27	1,5	5500	0,04	1482211	100
12									0,04	1482212	
14									0,04	1482213	
16	30	26,5	33	27	30	26	2	5500	0,04	1482214	100
10									0,04	1482215	
12									0,04	1482216	
14	35	32,5	43	35	35	32	1,5	5500	0,04	1482217	60
16									0,04	1482218	
20									0,04	1482219	
10	38	35,4	43	35	38,1	34,9	1,6	6000	0,05	1482220	50
12									0,05	1482221	
14									0,05	1482222	
16	40	37,5	43	35	40	37	1,5	6000	0,04	1482223	60
20									0,04	1482224	
10									0,04	1482225	
12	40	36,5	43	35	40	36	2	6000	0,05	1482226	50
14									0,06	1482227	
16									0,06	1482228	
20	50	47,5	55	44	50	47	1,5	10000	0,06	1482229	50
10									0,06	1482230	
12									0,06	1482231	
14	50	46,5	55	44	50	46	2	10000	0,05	1482232	25
12									0,10	1482233	
14									0,10	1482234	
16	50	45,5	55	44	50	45	2,5	10000	0,05	1482235	25
20									0,10	1482236	
12									0,10	1482237	
14	60	56,5	55	45	60	56	2	12000	0,10	1482238	12
16									0,10	1482239	
20									0,10	1482240	
14	60	56,5	55	45	60	56	2	12000	0,14	1482241	12
16									0,14	1482242	
20									0,14	1482243	

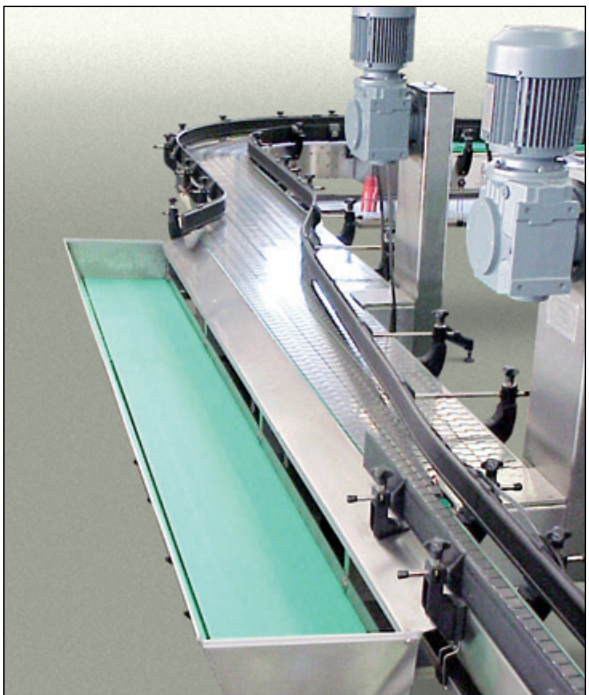
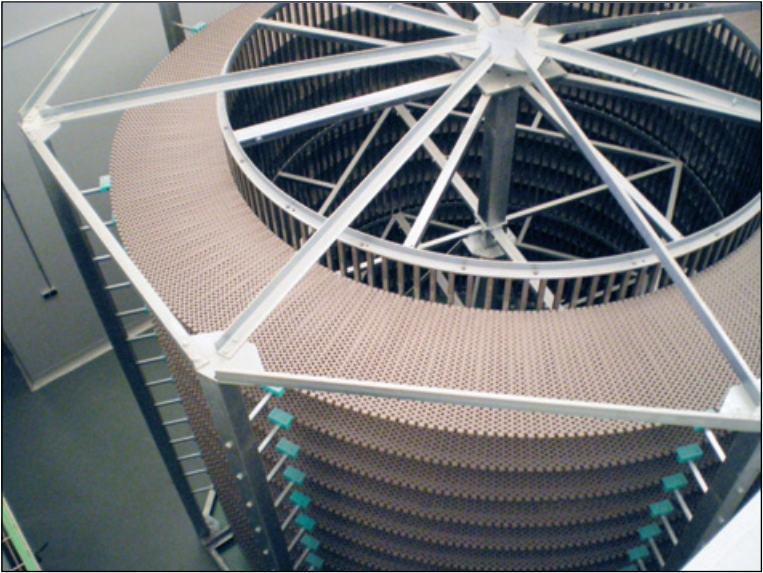


- M** Poliamida reforzada, casquillo de latón niquelado.
 Reinforced Polyamide, bush in nickel plated brass.
 Polyamide renforcé, douille en laiton nickelé.
 Verstärktes Polyamid. Gewindebuchse aus vernickeltem Messing.

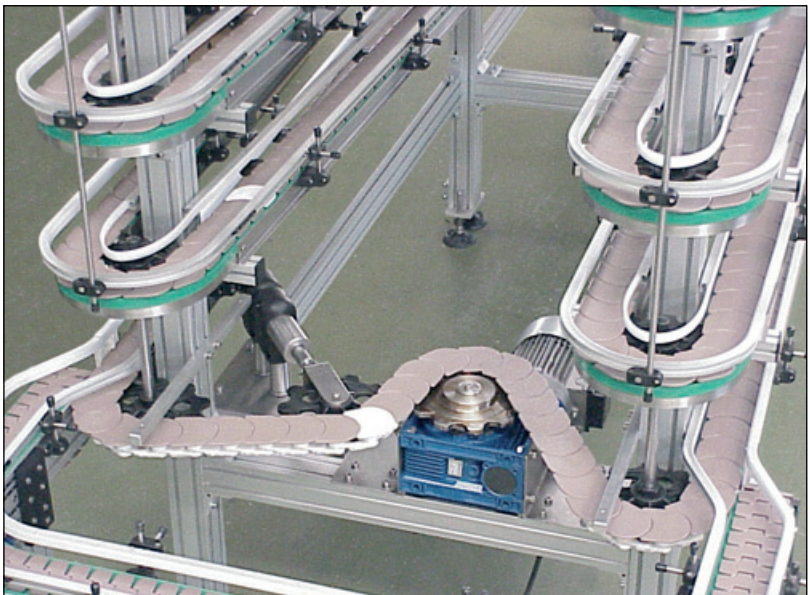
FT : Carga Máxima estática. / Max. Static load. / Charge statique maximun. / Max. statische Belastung

M	B	C	H	S	TUBO REDONDO / ROUND TUBES TUBE ROND / RUNDROHR			FT N (newton)	Kg.	COD.	
					Ø EXT.	Ø INT.	ESPEJOR / THICKNESS SECTION / WANDSTÄRKE				
10	38	35,5	43	34	38	35	1,5	5000	0,05	1483360	50
12										1483361	
14										1483362	
16										1483363	
10	42	39,9	42	34	42,4	39,4	1,5	6000	0,07	1483365	40
12									0,07	1483366	
14									0,07	1483367	
16									0,07	1483368	
20									0,07	1483369	
12	48	45,8	49	38	48,3	45,3	1,5	6000	0,09	1483380	40
14									0,09	1483381	
16									0,09	1483382	
20									0,09	1483383	
12	48	45	49	38	48,3	44,3	2	6000	0,09	1483384	40
14									0,09	1483385	
16									0,09	1483386	
20									0,09	1483387	
16	60	56,7	54,5	44,5	60,3	56,3	2	8000	0,10	1483390	15
20									0,10	1483391	
24									0,10	1483392	
16	60	56	54,5	44,5	60,3	55,3	2,5	8000	0,10	1483405	15
20									0,10	1483406	
24									0,10	1483407	

ALGUNOS EJEMPLOS DE UTILIZACION / SOME EXAMPLES OF USES
QUELQUES EXEMPLES D'UTILISATION / EINIGE ANWENDUNGSBEISPIELE

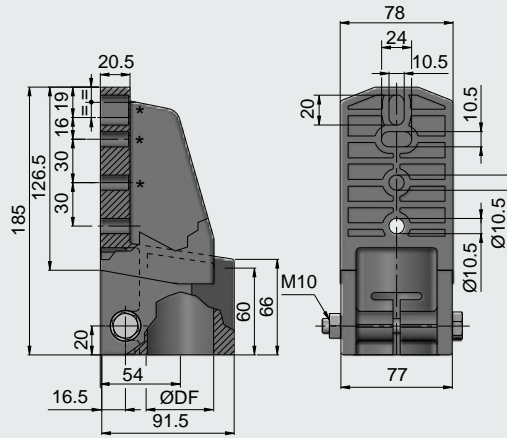


COPYRIGHT BY T.M. AVE
AVE
CHAINS, WHEELS, BELTS & CONVEYOR COMPONENTS





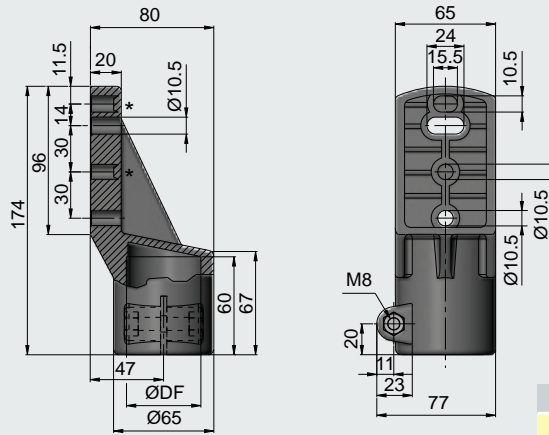
**COMPONENTES
COMPONENTS
COMPOSANTS
BAUTEILE**



M Poliamida reforzada, tornillería Acero Inoxidable.
 Reinforced Polyamide + fastener in stainless steel.
 Polyamide Renforcé + Visserie acier inoxydable.
 Verstärktes Polyamid. Schrauben, Muttern und Scheiben aus Edelstahl.

- * Para utilizar se debe romper el diafragma.
- * To use this hole break the diaphragm
- * Pour fixation on doit casser le diaphragme.
- * Die Befestigungsbohrungen vor der Montage durchstoßen.

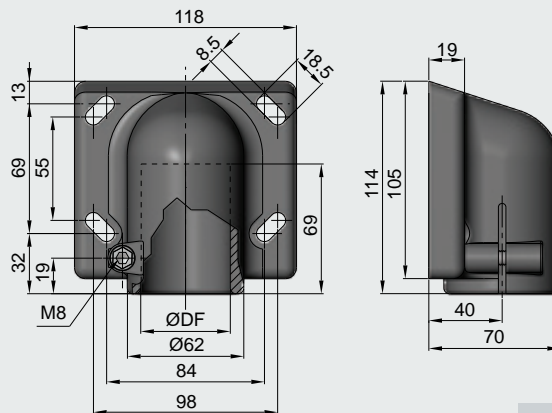
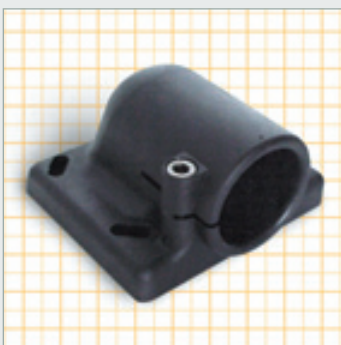
DF		FT N (Newton)	Kg	COD.	
mm	inch				
48,3	1 1/2	4000	0,58	8330119	8
60,3	2		0,58	8330121	



M Poliamida reforzada, tornillería Acero Inoxidable.
 Reinforced Polyamide + fastener in stainless steel.
 Polyamide Renforcé + Visserie acier inoxydable.
 Verstärktes Polyamid. Schrauben, Muttern und Scheiben aus Edelstahl.

- * Para utilizar se debe romper el diafragma.
- * To use this hole break the diaphragm
- * Pour fixation on doit casser le diaphragme.
- * Die Befestigungsbohrungen vor der Montage durchstoßen.

DF		FT N (Newton)	Kg	COD.	
mm	inch				
48,3	1 1/2	3500	0,36	8330125	10
50,9	-		0,36	8330126	

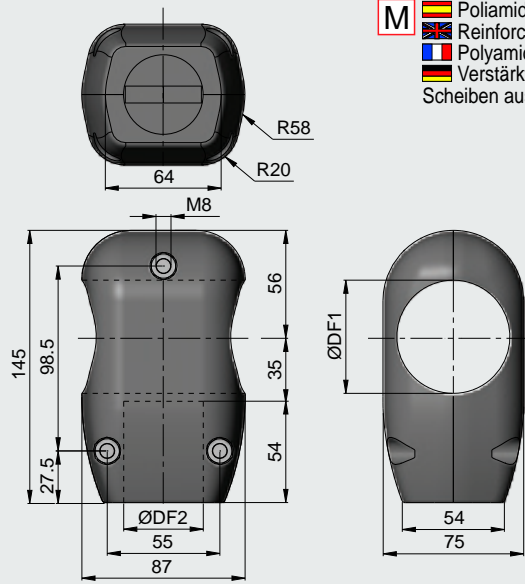


M Poliamida reforzada, tornillería Acero Inoxidable.
 Reinforced Polyamide + fastener in stainless steel.
 Polyamide Renforcé + Visserie acier inoxydable.
 Verstärktes Polyamid. Schrauben, Muttern und Scheiben aus Edelstahl.

DF		FT N (Newton)	Kg	COD.	
mm	inch				
48,3	1 1/2	3500	0,34	8330135	10

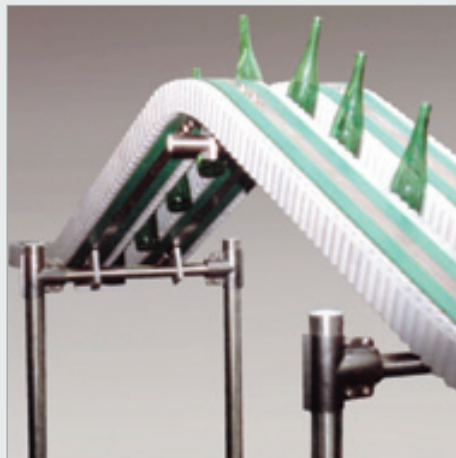
JUNTAS DE CONEXION / CONNECTING JOINTS

NOIX DE CONNEXION / QUERVERBINDER

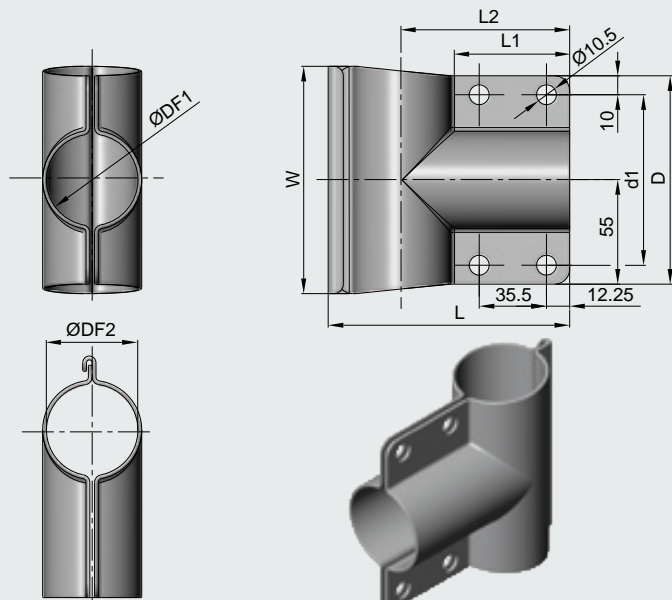


M Poliamida reforzada, tornillería Acero Inoxidable.
 Reinforced Polyamide + fastener in stainless steel.
 Polyamide Renforcé + Visserie acier inoxydable.
 Verstärktes Polyamid. Schrauben, Muttern und Scheiben aus Edelstahl.

DF1		DF2		FT N(newton)	FD N(newton)	FM N(newton)	Kg.	COD.	
mm	inch	mm	inch						
42,4	1 1/4	32	-	3500	2000	-	0,40	8330045	10
42,4	1 1/4	42,4	1 1/4				0,40	8330046	
48,3	1 1/2	32	-				0,40	8330047	
48,3	1 1/2	42,4	1 1/4				0,40	8330048	
60,3	2	32	-				0,39	8330049	
60,3	2	42,4	1 1/4				0,39	8330050	

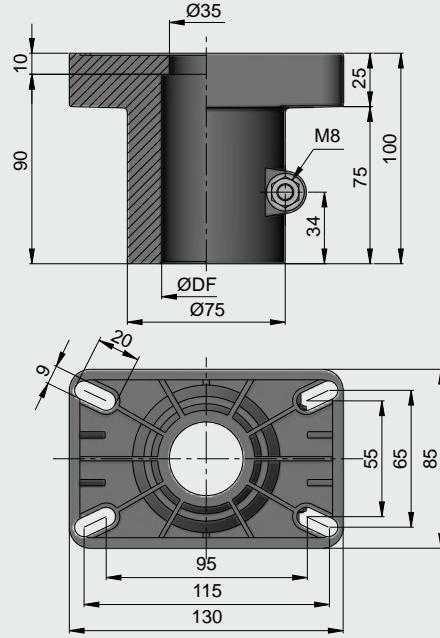


M Acero inoxidable. Stainless steel. Acier inoxydable. Edelstahl.



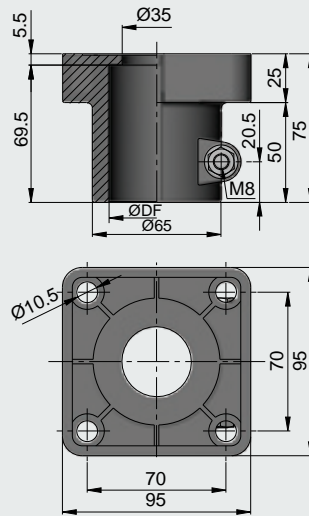
W	D	d1	L	L1	L2	DF1	DF2	Kg	COD.	
127,5	100	80	120	64,2	88,5	48,3	48,3	0,52	8360501	10
141	110	92	136	64,8	95	60,3	60,3	0,68	8360530	8

B



- M** Poliamida reforzada, tornillería Acero Inoxidable.
 Reinforced Polyamide + fastener in stainless steel.
 Polyamide Renforcé + Visserie acier inoxydable.
 Verstärktes Polyamid. Schrauben, Muttern und Scheiben aus Edelstahl.

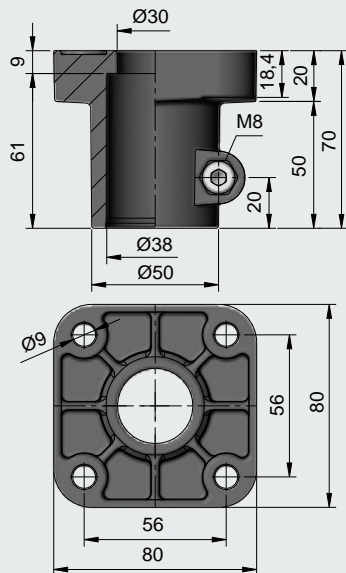
DF		FT N (Newton)	Kg	COD.	
mm	inch				
42'4	1 1/4	2000	0,35	8330052	8
48'3	1 1/2		0,35	8330053	
50'9	-		0,35	8330054	
60'3	2		0,34	8330055	



- M** Poliamida reforzada, tornillería Acero Inoxidable.
 Reinforced Polyamide + fastener in stainless steel.
 Polyamide Renforcé + Visserie acier inoxydable.
 Verstärktes Polyamid. Schrauben, Muttern und Scheiben aus Edelstahl.

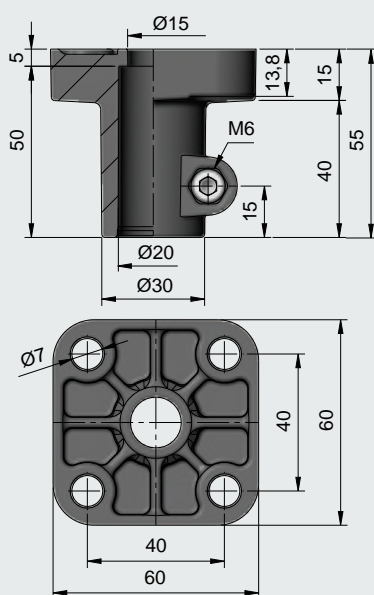
DF		FT N (Newton)	Kg	COD.	
mm	inch				
48,3	1 1/2	1500	0,30	8330112	15
50,9	-		0,30	8330114	





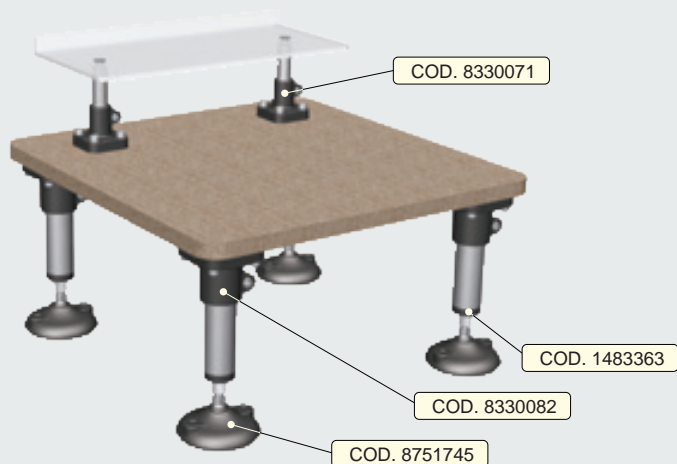
- M** Poliamida reforzada, tornillería Acero Inoxidable.
 Reinforced Polyamide + fastener in stainless steel.
 Polyamide Renforcé + Visserie acier inoxydable.
 Verstärktes Polyamid. Schrauben, Muttern und Scheiben aus Edelstahl.

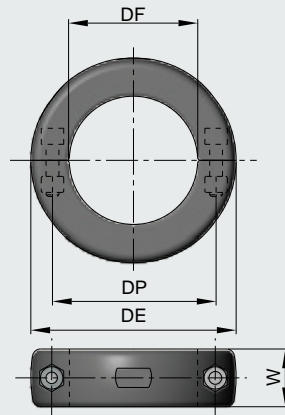
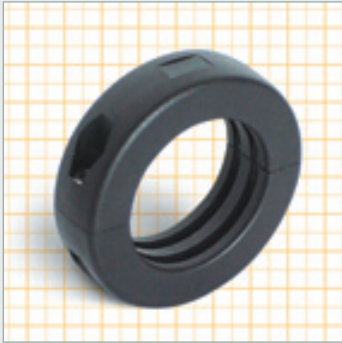
FT N (Newton)	Kg	COD.	
1200	0,17	8330082	20



- M** Poliamida reforzada, tornillería Acero Inoxidable.
 Reinforced Polyamide + fastener in stainless steel.
 Polyamide Renforcé + Visserie acier inoxydable.
 Verstärktes Polyamid. Schrauben, Muttern und Scheiben aus Edelstahl.

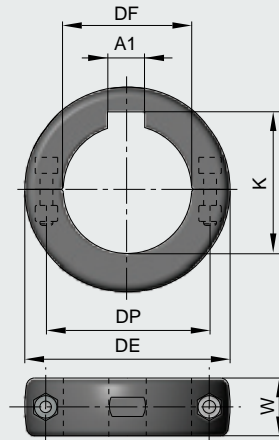
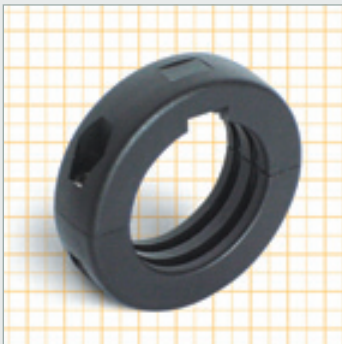
FT N (Newton)	Kg	COD.	
800	0,07	8330071	20



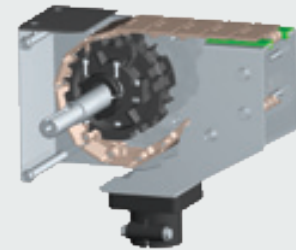


M Poliamida reforzada, tornillería Acero Inoxidable.
 Reinforced Polyamide + fastener in stainless steel.
 Polyamide Renforcé + Visserie acier inoxydable.
 Aus verstärktem Polyamid, Verschraubung aus Edelstahl 1.4301

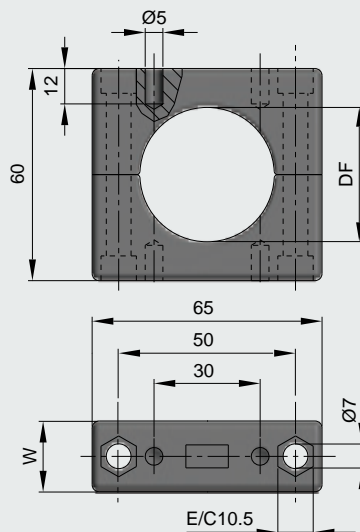
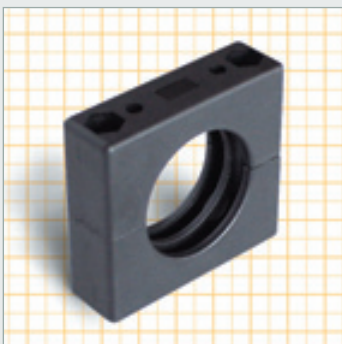
DF	DE	DP	W	Kg	COD.	
10	30	20	12	0,01	8235324	100
12	30	20	12	0,01	8235325	
14	30	20	12	0,01	8235327	
15	39	27	14	0,02	8235329	
16	39	27	14	0,02	8235331	100
18	39	27	14	0,02	8235334	
20	40	29	14	0,02	8235350	100
25	45	35	14	0,02	8235351	
30	55	45	16	0,03	8235352	60
35	60	47	16	0,03	8235353	
40	64	51	18	0,04	8235354	50



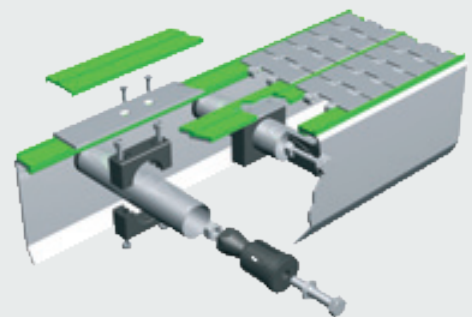
M Poliamida reforzada, tornillería Acero Inoxidable.
 Reinforced Polyamide + fastener in stainless steel.
 Polyamide Renforcé + Visserie acier inoxydable.
 Aus verstärktem Polyamid, Verschraubung aus Edelstahl 1.4301



A1	K	DF	DE	DP	W	Kg	COD.	
8	28,3	25	45	35	14	0,02	8235381	100
8	33,3	30	55	45	16	0,03	8235386	60
10	38,3	35	60	47	16	0,03	8235390	
12	43,3	40	64	51	18	0,04	8235395	50



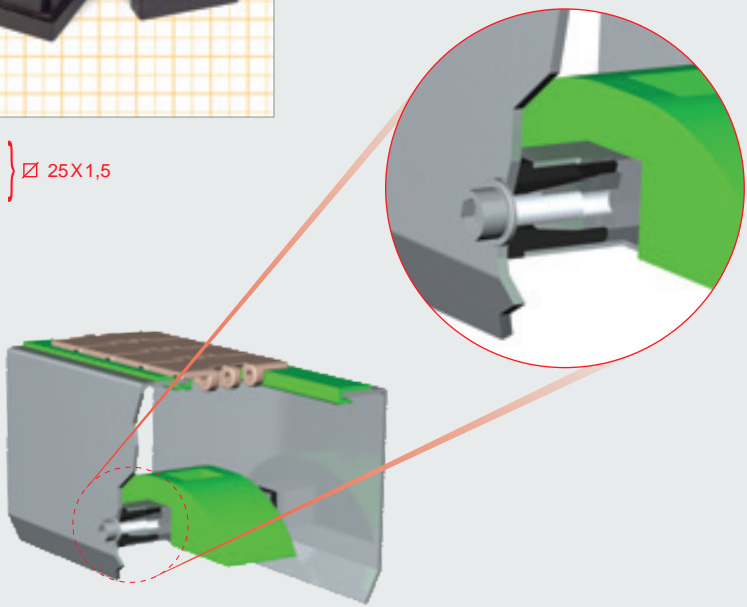
M Poliamida reforzada.
 Reinforced Polyamide.
 Polyamide Renforcé.
 Aus verstärktem Polyamid.



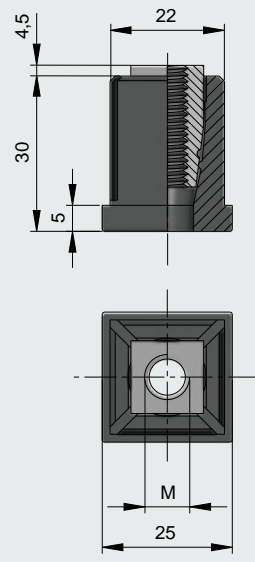
DF	DE	DP	W	Kg	COD.	
38	-	-	20	0,06	8235361	50



Para tubo
For tube
Pour tube
Für Rohr } \square 25X1,5



- M** Poliamida reforzada, casquillo de latón niquelado.
 Reinforced Polyamide, bush in nickel plated brass.
 Polyamide renforcé, douille en laiton nikelé.
 Verstärktes Polyamid. Gewindebuchse aus vernickeltem Messing.



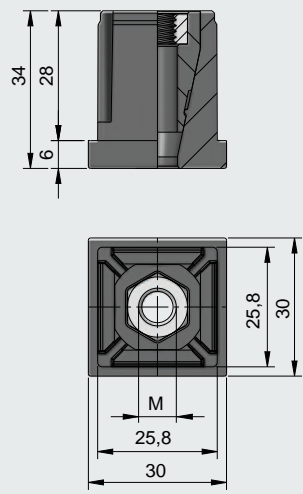
M	Kg	COD.	
M8	0,03	1485470	100
M10		1485495	



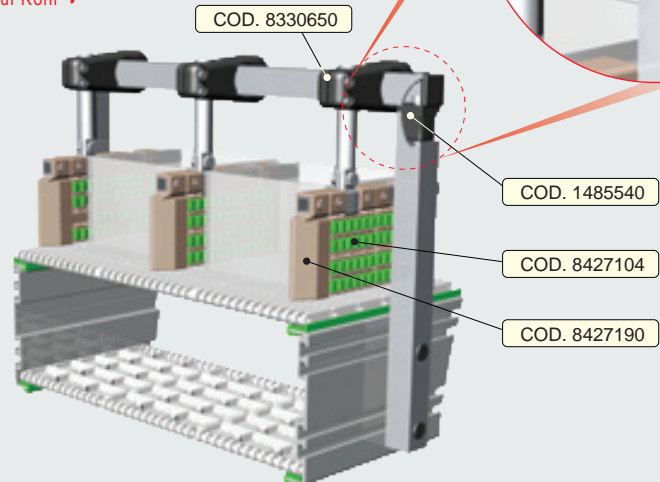
Para tubo
For tube
Pour tube
Für Rohr } \square 30X30X2



- M** Poliamida reforzada, tornillería acero inox.
 Reinforced Polyamide, fastener in stainless steel.
 Polyamide renforcé, visserie acier inox.
 Aus verstärktem Polyamid, Verschraubung aus Edelstahl 1.4301.



M	Kg	COD.	
M8	0,03	1485540	100

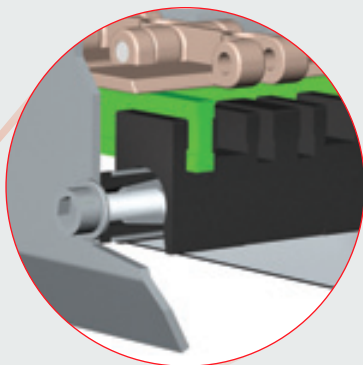
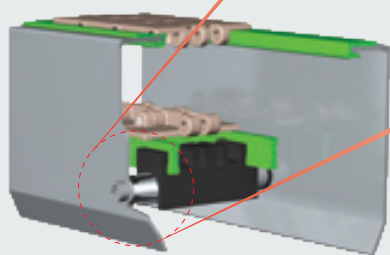


B

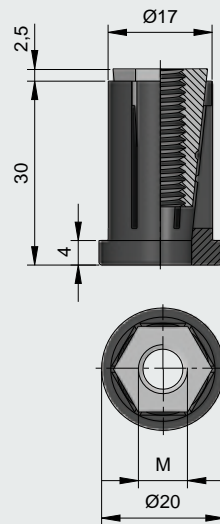
B



Para tubo }
For tube } Ø 20X1,5
Pour tube }
Für Rohr }



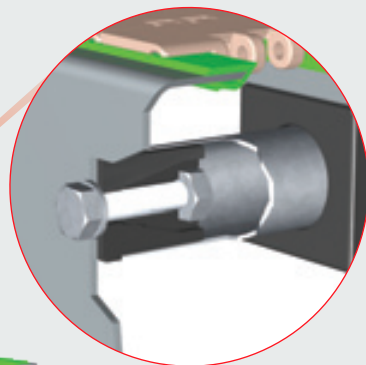
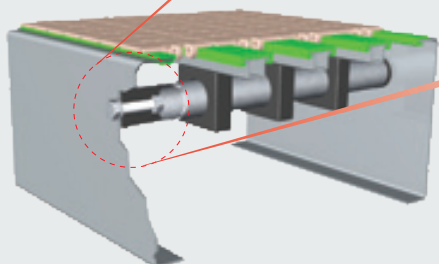
- M** Poliamida reforzada, casquillo de latón niquelado.
- Reinforced Polyamide, bush in nickel plated brass.
- Polyamide renforcé, douille en laiton nickelé.
- Verstärktes Polyamid. Gewindebuchse aus vernickeltem Messing.



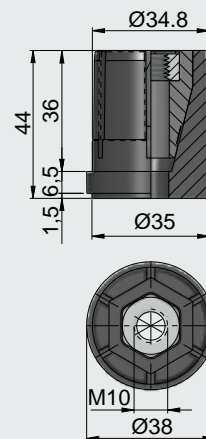
M	Kg	COD.	
M8	0,02	1486505	100
M10		1486526	



Para tubo }
For tube } Ø 38X1,5
Pour tube }
Für Rohr }



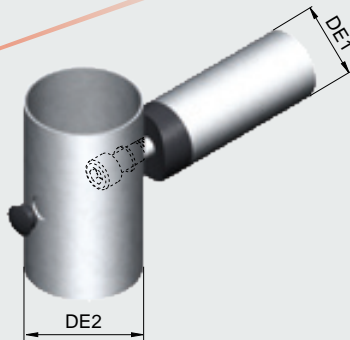
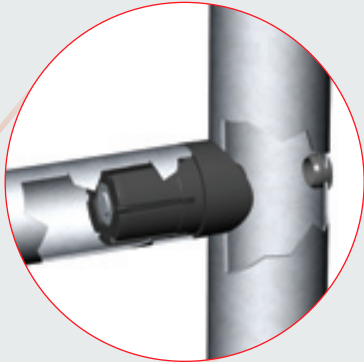
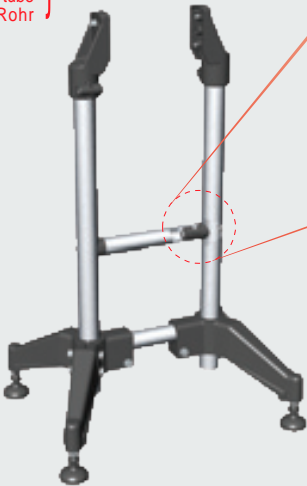
- M** Poliamida reforzada, tornillería Acero Inoxidable.
- Reinforced Polyamide + fastener in stainless steel.
- Polyamide Renforcé + Visserie acier inoxydable.
- Verstärktes Polyamid. Schrauben, Muttern und Scheiben aus Edelstahl.



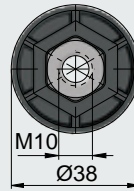
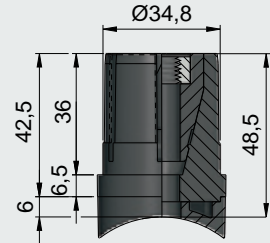
Kg	COD.	
0,06	1486571	50



Para tubo
For tube
Pour tube
Für Rohr } Ø 38X1,5



- M** Poliamida reforzada, tornillería Acero Inoxidable.
- Reinforced Polyamide + fastener in stainless steel.
- Polyamide Renforcé + Visserie acier inoxydable.
- Verstärktes Polyamid. Schrauben, Muttern und Scheiben aus Edelstahl.

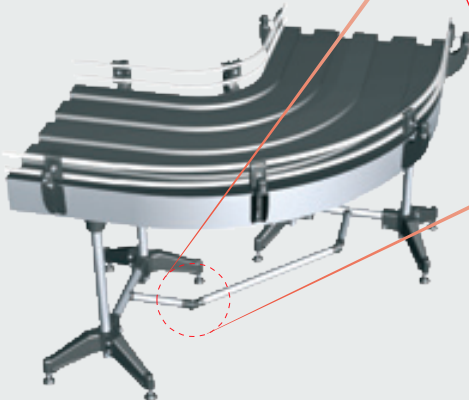


DE1	DE2	Kg	COD.	
	38	0,07	1486620	
38	48	0,08	1486625	50
	60	0,09	1486636	

JUNTA DE CONEXIÓN ÁNGULO VARIABLE / VARIABLE ANGLE CONNECTING JOINT /
NOIX DE CONNECTION D'ANGLE VARIABLE / QUERVERBINDER

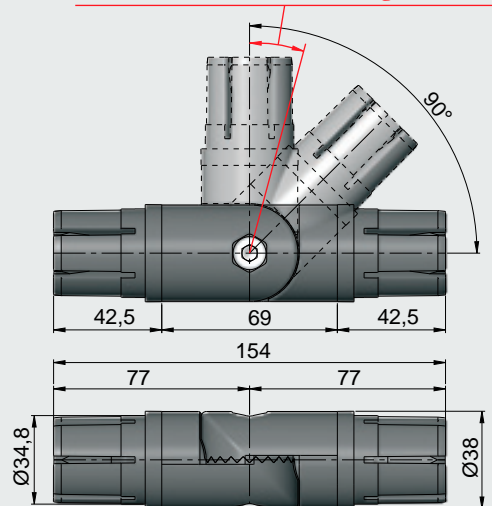


Para tubo
For tube
Pour tube
Für Rohr } Ø 38X1,5



- M** Poliamida reforzada, tornillería acero inox.
- Reinforced Polyamide, fastener in stainless steel.
- Polyamide renforcé, visserie acier inox.
- Aus verstärktem Polyamid, Verschraubung aus Edelstahl 1.4301.

*Incrementos de 15° / Increments of 15°
Accroissement de 15° / Ansteigen bei 15°*

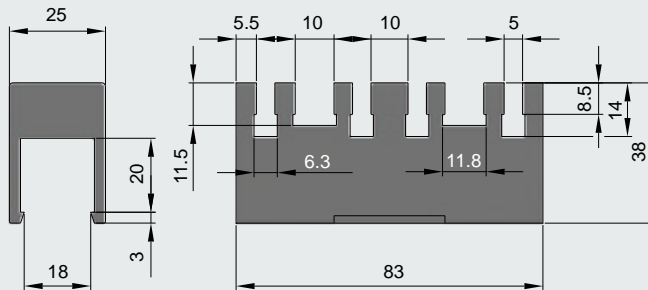
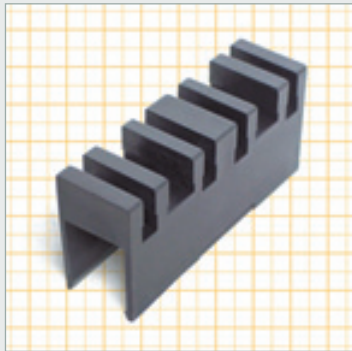


Kg	COD.	
0,28	7645301	25

SOPORTE PERFIL RETORNO / RETURN PROFILE SUPPORT

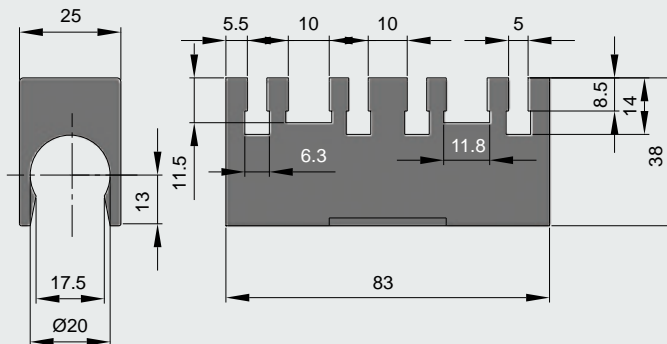
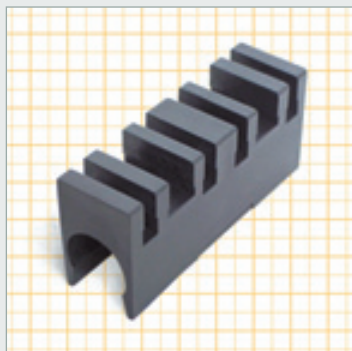
SUPPORT PROFIL RETOUR / RÜCKSTELLUNGSPROFILHALTER

B



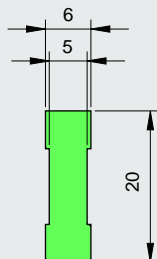
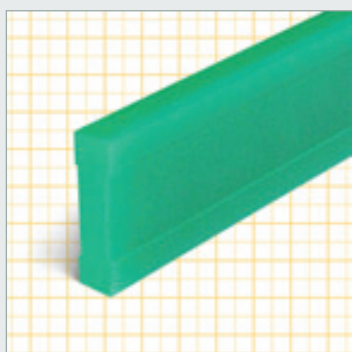
- M** Polietileno autolubricado.
 Self-lubricating polyethylene.
 Polyéthylène autolubrifié.
 Selbstschmierendes Polyäthylen.

Kg	COD.	
0,04	8025601	50

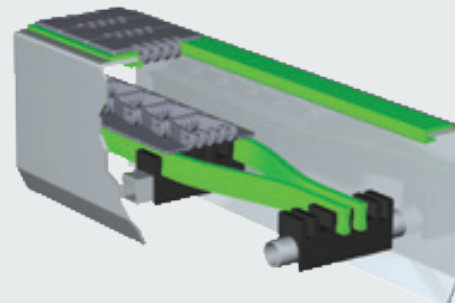


- M** Polietileno autolubricado.
 Self-lubricating polyethylene.
 Polyéthylène autolubrifié.
 Selbstschmierendes Polyäthylen.

Kg	COD.	
0,04	8025630	50







- M** Polietileno UHMW 1000 "DESLIDUR".
 UHMW 1000 "DESLIDUR" Polyethylene.
 Polyéthylène UHMW 1000 "DESLIDUR".
 Profil aus Polyäthylen UHMW 1000 "DESLIDUR"

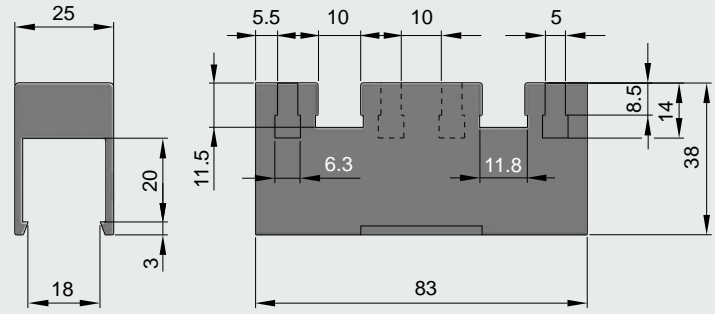
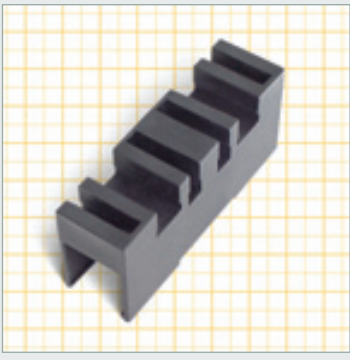



COLOR / COLOUR COULEUR / FARBE	L	Kg/m	COD.
Verde/Green/Vert/Grün	25	0,10	P20240





SOPORTE PERFIL RETORNO / RETURN PROFILE SUPPORT
SUPPORT PROFIL RETOUR / RÜCKSTELLUNGSPROFILHALTER

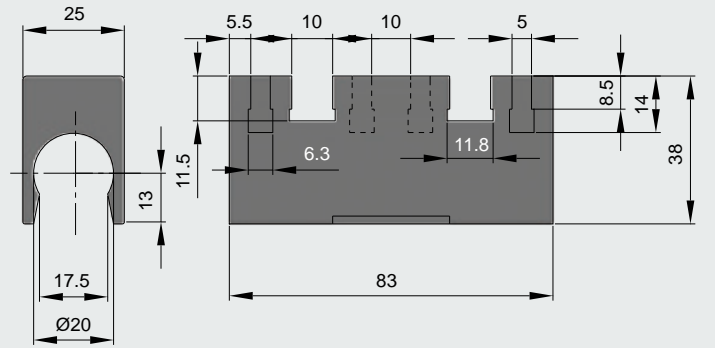
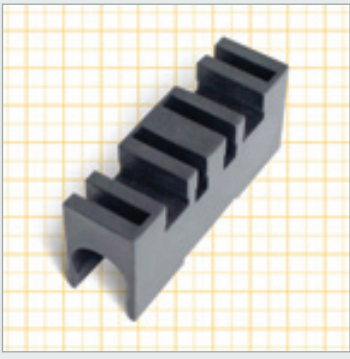
B


- M**  Polietileno autolubricado.
 Self-lubricating polyethylene.
 Polyéthylène autolubrifié.
 Selbstschmierendes Polyäthylen.

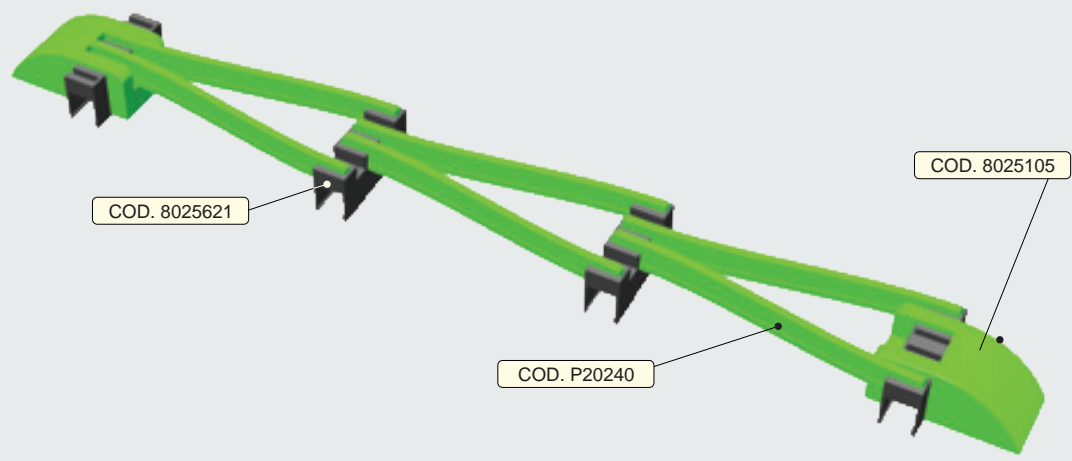


Kg	COD.	
0,04	8025615	50

- M**  Polietileno autolubricado.
 Self-lubricating polyethylene.
 Polyéthylène autolubrifié.
 Selbstschmierendes Polyäthylen.

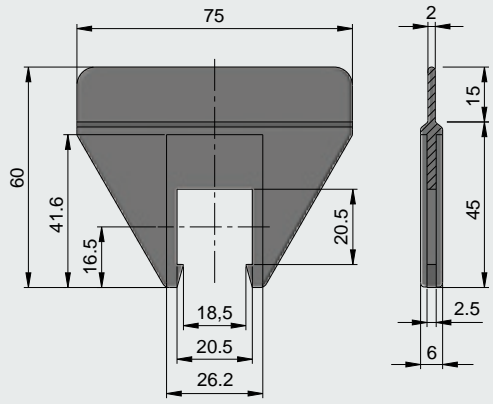
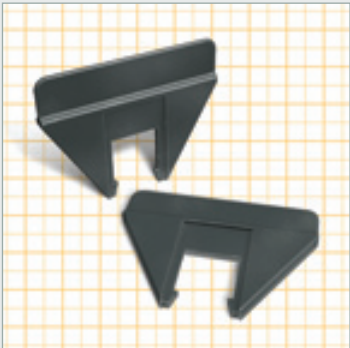


Kg	COD.	
0,04	8025621	50



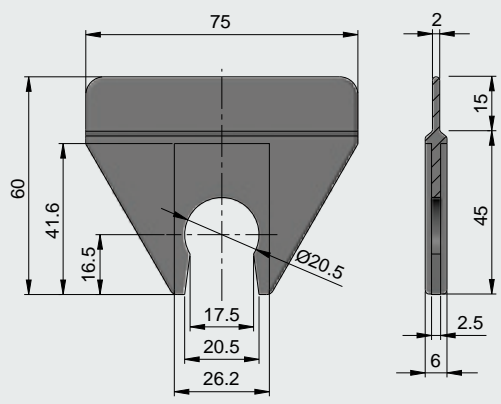
ACCESORIOS PARA RETORNO / RETURN ACCESORIES
ACCESSOIRES DE RETOUR / ZUBEHÖR FÜR ZURÜCKKUNFT

B



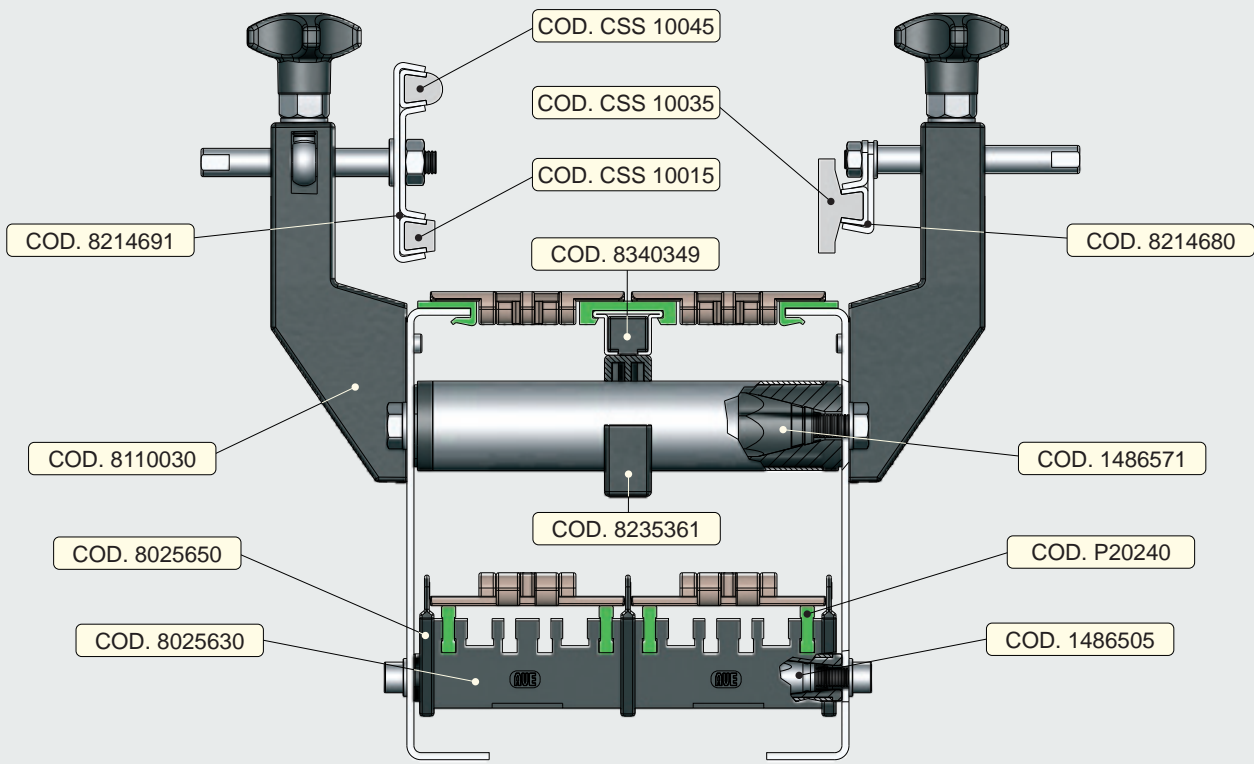
- M** Polietileno autolubrificado.
 Self-lubricating polyethylene.
 Polyéthylène autolubrifié.
 Selbstschmierendes Polyäthylen.

Kg	COD.	
0,01	8025645	100



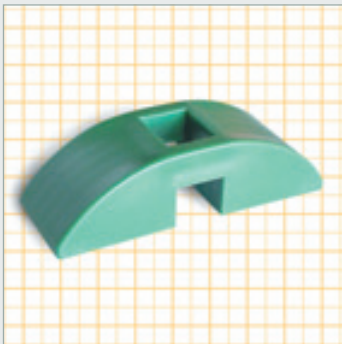
- M** Polietileno autolubrificado.
 Self-lubricating polyethylene.
 Polyéthylène autolubrifié.
 Selbstschmierendes Polyäthylen.

Kg	COD.	
0,01	8025650	100

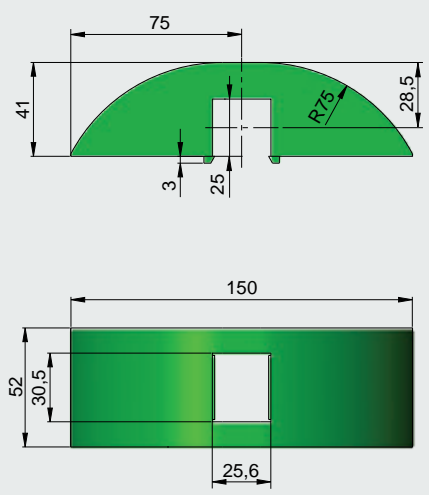


PATINES RETORNO / CHAIN RETURN COMPONENTS
PATIN DE RETOUR / RÜCKFÜHRELEMENTE FÜR KETTEN

PATIN FIJO DOBLE / DOUBLE SLIDING SHOE
 PATIN / DOPPELKETTENSCHUH

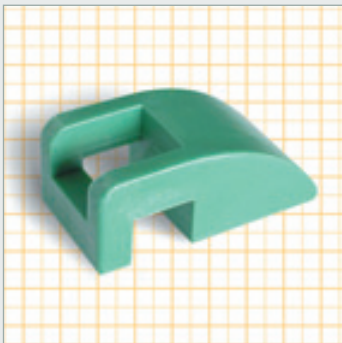


- M** Polietileno autolubricado.
 Self-lubricating polyethylene.
 Polyéthylène autolubrifié.
 Selbstschmierendes Polyäthylen.

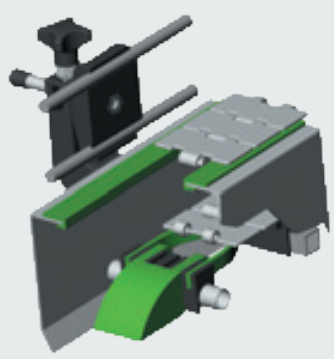
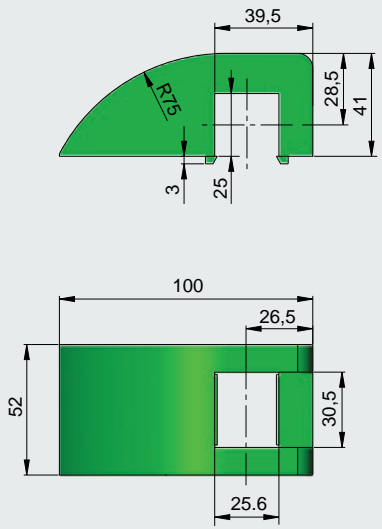


Kg	COD.	
0,12	8025104	10

PATIN FIJO / SLIDING SHOE
 PATIN / KETTENSCHUH



- M** Polietileno autolubricado.
 Self-lubricating polyethylene.
 Polyéthylène autolubrifié.
 Selbstschmierendes Polyäthylen.



Kg	COD.	
0,07	8025105	20

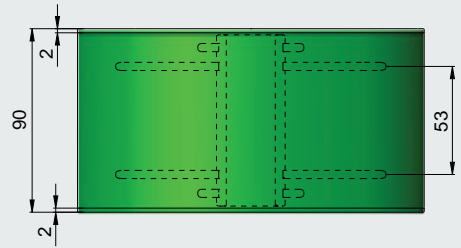
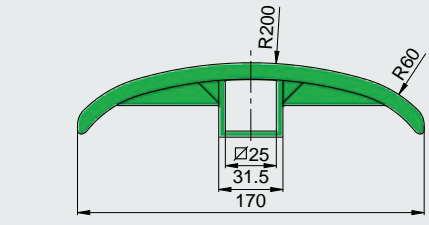
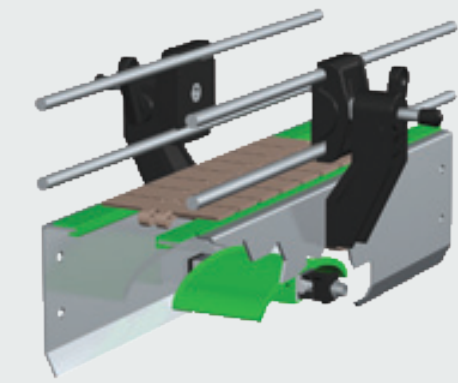
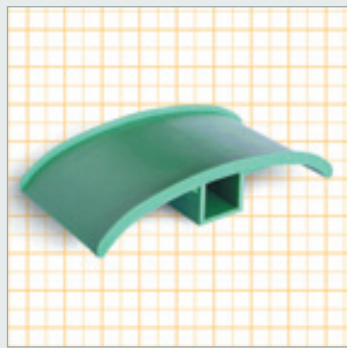
B

PATINES RETORNO / CHAIN RETURN COMPONENTS

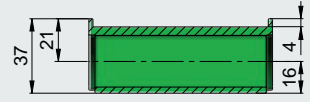
PATIN DE RETOUR / RÜCKFÜHRELEMENTE FÜR KETTEN

B

PATIN FIJO DOBLE / DOUBLE SLIDING SHOE
PATIN / DOPPELKETTENSCHUH

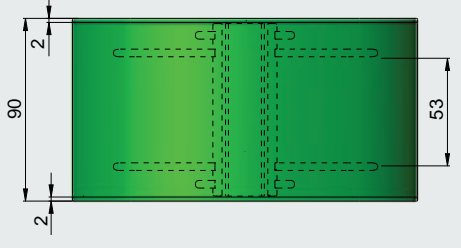
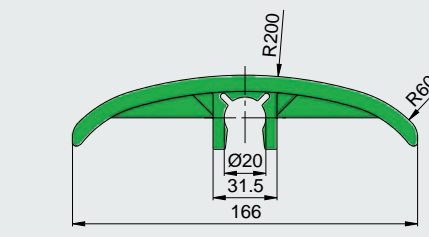
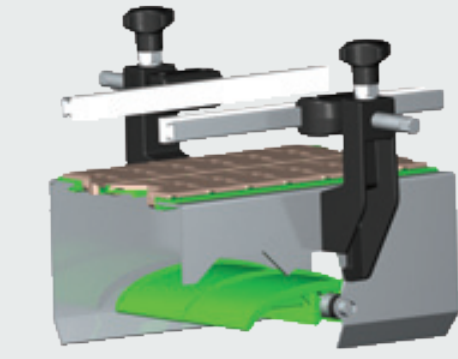
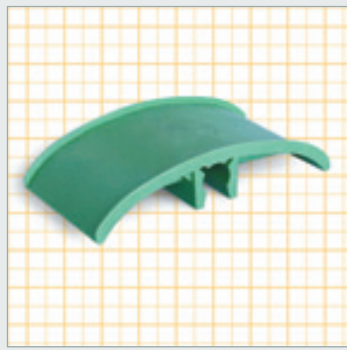


- M** Polietileno autolubrificado.
 Self-lubricating polyethylene.
 Polyéthylène autolubrifié.
 Selbstschmierendes Polyäthylen.

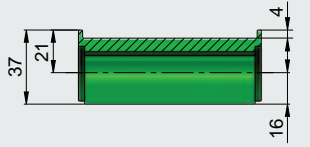


Kg	COD.	
0,09	8025101	10

PATIN FIJO DOBLE / DOUBLE SLIDING SHOE
PATIN / DOPPELKETTENSCHUH



- M** Polietileno autolubrificado.
 Self-lubricating polyethylene.
 Polyéthylène autolubrifié.
 Selbstschmierendes Polyäthylen.

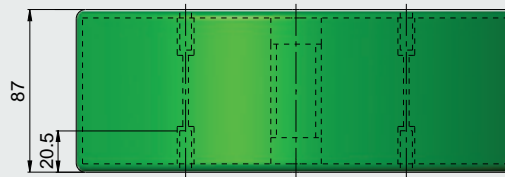
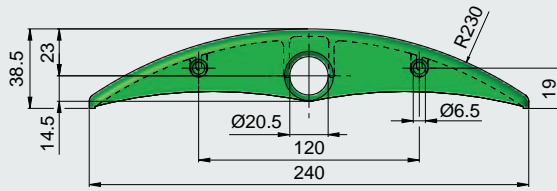


Kg	COD.	
0,15	8025140	10

PATINES RETORNO / CHAIN RETURN COMPONENTS

PATIN DE RETOUR / RÜCKFÜHRELEMENTE FÜR KETTEN

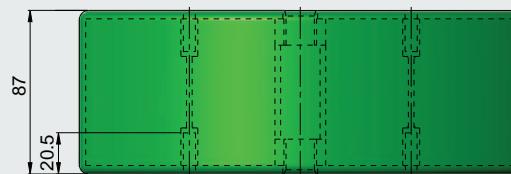
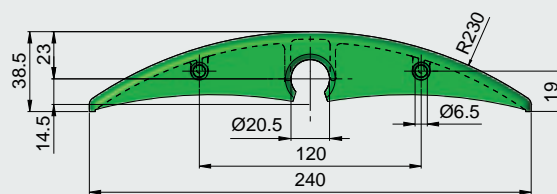
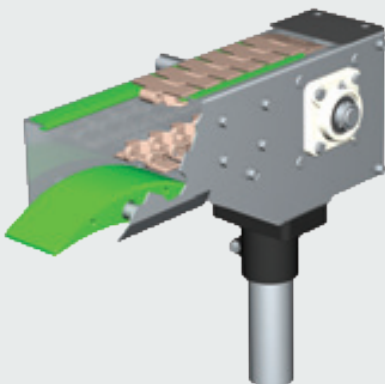
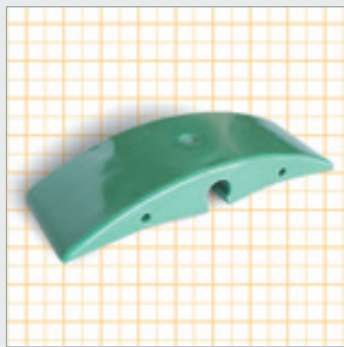
PATIN OSCILANTE / OSCILLATING SLIDING SHOE
PATIN OSCILLANT / SELBSTEINSTELLENDER KETTENSCHUH



- M** Polietileno autolubricado.
 Self-lubricating polyethylene.
 Polyéthylène autolubrifié.
 Selbstschmierendes Polyäthylén.

Color / Colour Couleur / Farbe	Kg	COD.	
Verde / Gree / Vert / Grün	0,14	8025102V	10
Negro / Black / Noir / Schwarz		8025102N	

PATIN OSCILANTE CLIP-ON / CLIP-ON OSCILLATING SLIDING SHOE
PATIN OSCILLANT CLIPSE / SELBSTEINSTELLENDER KETTENSCHUH

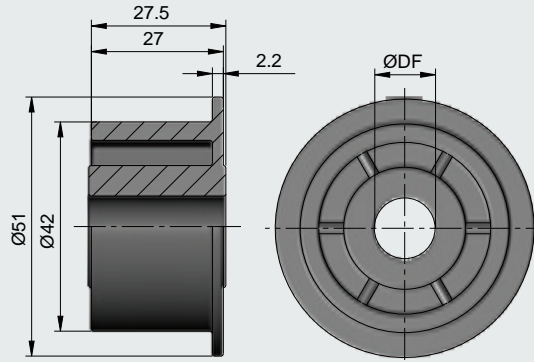


- M** Polietileno autolubricado.
 Self-lubricating polyethylene.
 Polyéthylène autolubrifié.
 Selbstschmierendes Polyäthylén.

Kg	COD.	
0,13	8025103	10

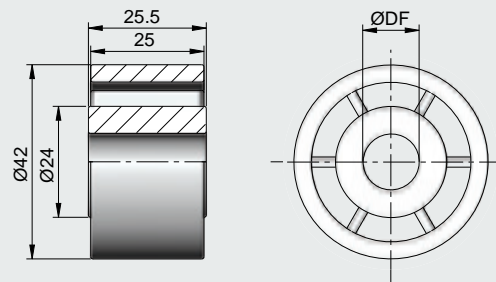
B

B



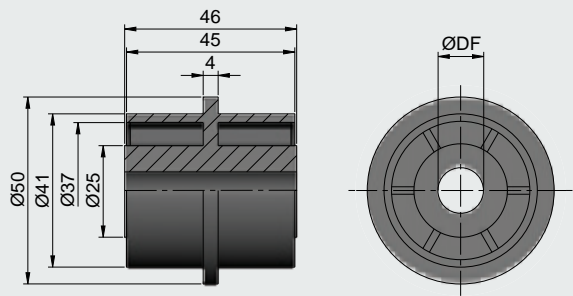
- M** Poliamida autolubrificada.
 Self-lubricating Polyamide.
 Polyamide autolubrifié.
 Selbstschmierendes Polyamid.

DF	Kg	COD.	
12,2	0,03	8010024	125
16,2	0,03	8010026	
18,2	0,03	8010027	
20,2	0,03	8010028	



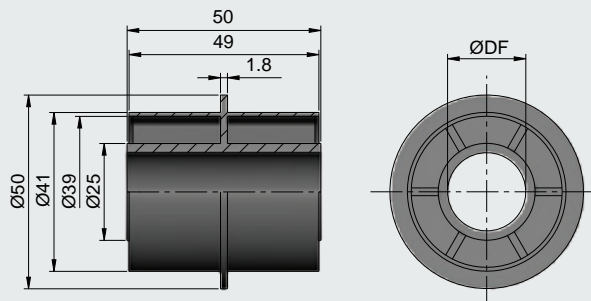
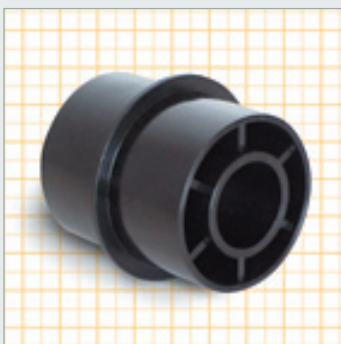
- M** Poliamida autolubrificada.
 Self-lubricating Polyamide.
 Polyamide autolubrifié.
 Selbstschmierendes Polyamid.

DF	Kg	COD.	
12,2	0,03	8010235	125
16,2	0,03	8010237	
18,2	0,03	8010238	
20,2	0,03	8010239	



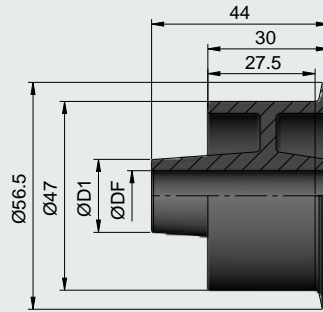
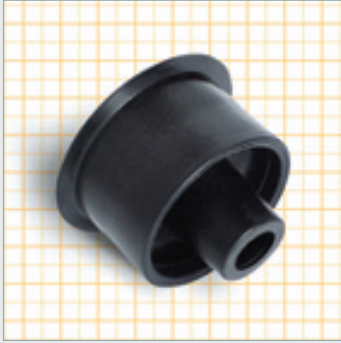
- M** Poliamida autolubrificada.
 Self-lubricating Polyamide.
 Polyamide autolubrifié.
 Selbstschmierendes Polyamid.

DF	Kg	COD.	
12,2	0,03	8010201	75
16,2	0,03	8010202	
18,2	0,03	8010203	
20,2	0,03	8010204	



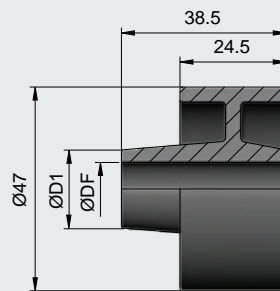
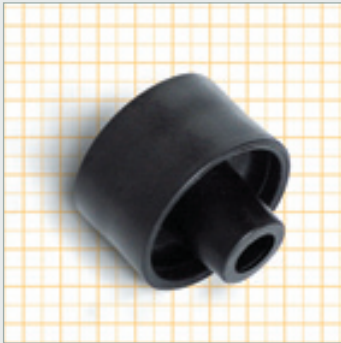
- M** Poliamida autolubrificada.
 Self-lubricating Polyamide.
 Polyamide autolubrifié.
 Selbstschmierendes Polyamid.

DF	Kg	COD.	
12,2	0,03	8010211	75
16,2	0,03	8010212	
18,2	0,03	8010214	
20,2	0,03	8010215	



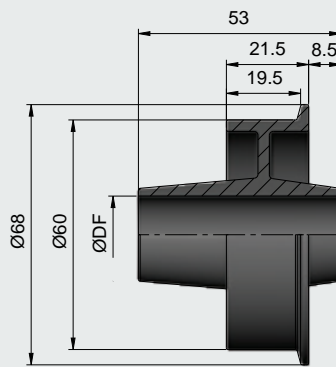
- M** Poliamida autolubrificada.
 Self-lubricating Polyamide.
 Polyamide autolubrifié.
 Selbstschmierendes Polyamid.

D1	DF	Kg	COD.	
18	12,2	0,05	8010230	100
24,2	20,2	0,05	8010241	



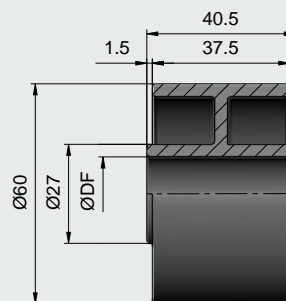
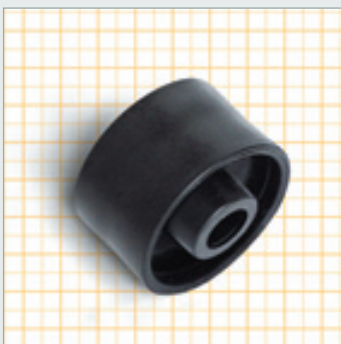
- M** Poliamida autolubrificada.
 Self-lubricating Polyamide.
 Polyamide autolubrifié.
 Selbstschmierendes Polyamid.

D1	DF	Kg	COD.	
18	12,2	0,05	8010234	100
24,2	20,2	0,05	8010231	



- M** Poliamida autolubrificada.
 Self-lubricating Polyamide.
 Polyamide autolubrifié.
 Selbstschmierendes Polyamid.

DF	Kg	COD.	
20,2	0,06	8010232	50

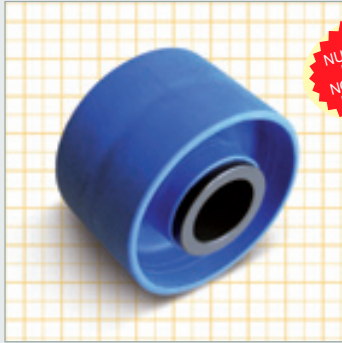


- M** Poliamida autolubrificada.
 Self-lubricating Polyamide.
 Polyamide autolubrifié.
 Selbstschmierendes Polyamid.

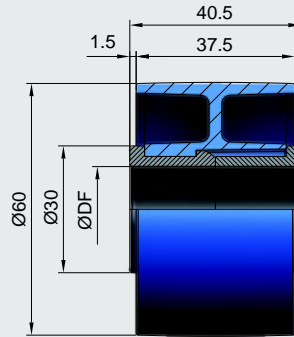
DF	Kg	COD.	
20,2	0,06	8010233	50

B

B

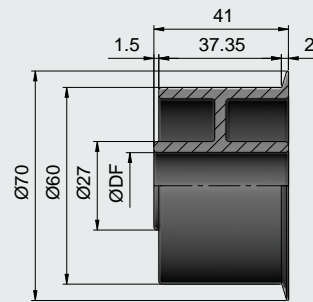
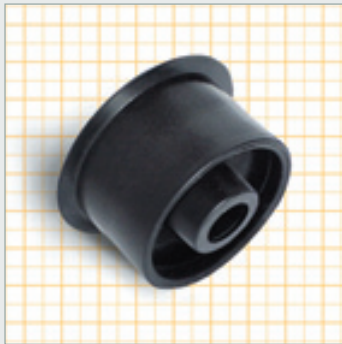


**NUEVO PRODUCTO
NEW PRODUCT
NOUVEAU PRODUIT
NEUES PRODUKT**



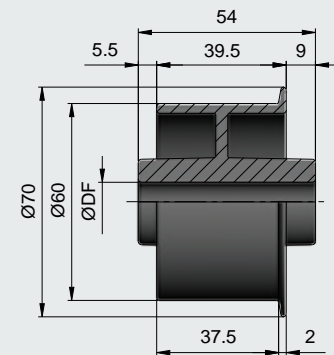
- M** Goma + Acetal.
 Rubber + Acetal.
 Gomme + Acetal.
 Gummi + Azetal.

DF	Kg	COD.	
20,2	0,05	8010371	50



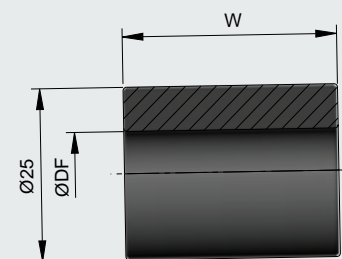
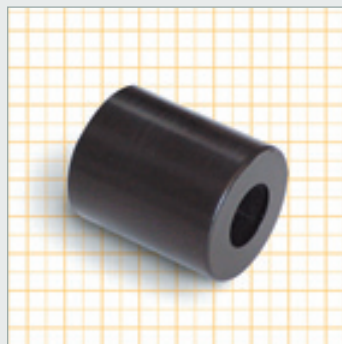
- M** Poliamida autolubrificada.
 Self-lubricating Polyamide.
 Polyamide autolubrifié.
 Selbstschmierendes Polyamid.

DF	Kg	COD.	
20,2	0,06	8010236	50



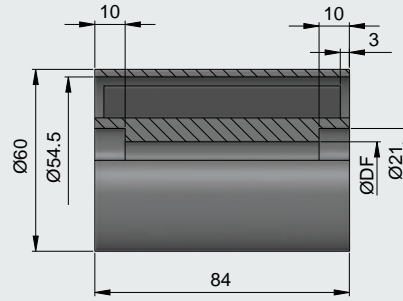
- M** Poliamida autolubrificada.
 Self-lubricating Polyamide.
 Polyamide autolubrifié.
 Selbstschmierendes Polyamid.

DF	Kg	COD.	
12,2	0,07	8010271	40



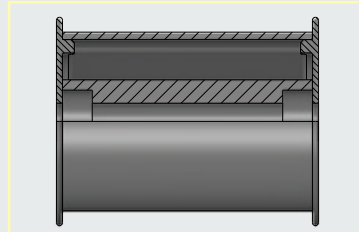
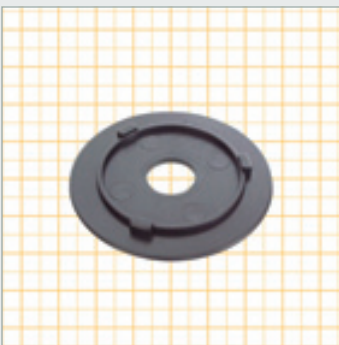
- M** Poliamida autolubrificada.
 Self-lubricating Polyamide.
 Polyamide autolubrifié.
 Selbstschmierendes Polyamid.

DF	W	Kg	COD.	
12,2	31	0,01	8010114	150
16,2		0,01	8010115	
18,2		0,01	8010116	
20,2		0,01	8010117	
12,2	34	0,01	8010120	
16,2		0,01	8010121	
18,2		0,01	8010122	
20,2		0,01	8010123	
12,2	39	0,01	8010106	
16,2		0,01	8010107	
18,2		0,01	8010108	
20,2		0,01	8010109	

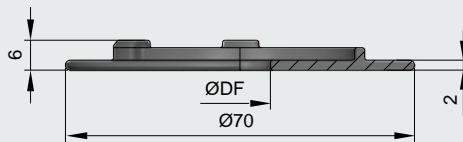


- M** Poliamida autolubrificada.
- M** Self-lubricating Polyamide.
- M** Polyamide autolubrifié.
- M** Selbstschmierendes Polyamid.

DF	W	Kg	COD.	
12,2	84	0,13	8010221	25
14,2		0,13	8010220	
16,2		0,13	8010222	
18,2		0,13	8010223	
20,2		0,13	8010224	

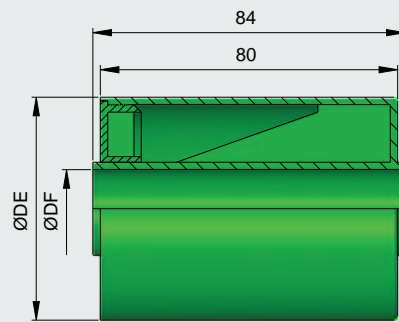


MONTAJE DEL RODILLO CON LA TAPETA
 ASSEMBLY GIVES THE ROLLER WITH THE COVER
 MONTAGE GALET AVEC FLASQUE
 BEIDSEITIGES EINPRESSEN DER BORDSCHEIBEN IN DER ROLLE



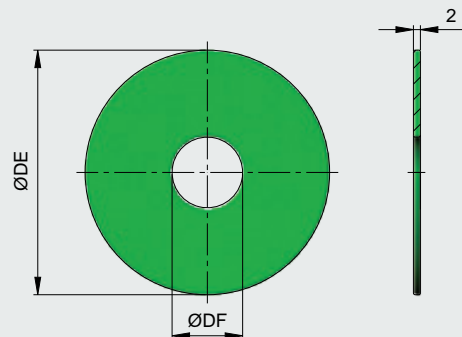
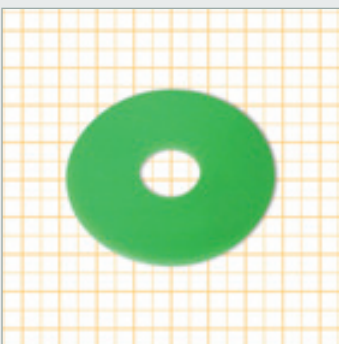
- M** Poliamida autolubrificada.
- M** Self-lubricating Polyamide.
- M** Polyamide autolubrifié.
- M** Selbstschmierendes Polyamid.

DF	W	Kg	COD.	
12,2	-	0,01	8015225	200
16,2		0,01	8015226	
18,2		0,01	8015227	
20,2		0,01	8015228	



- M** Polietileno autolubrificado.
- M** Self-lubricating polyethylene.
- M** Polyéthylène autolubrifié.
- M** Selbstschmierendes Polyäthylen.

DE	DF	Kg	COD.	
40	20,2	0,04	8010315	25
60	20,2	0,06	8010340	

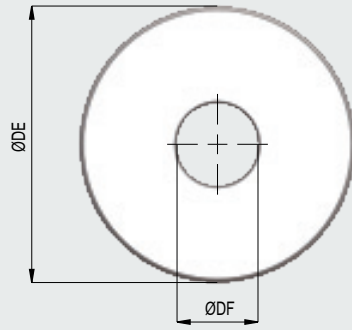


- M** Polietileno autolubrificado.
- M** Self-lubricating polyethylene.
- M** Polyéthylène autolubrifié.
- M** Selbstschmierendes Polyäthylen.

DE	DF	Kg	COD.	
70	20,2	0,01	8015250	200

B

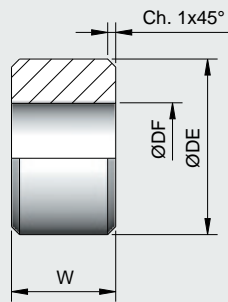
B



- M** Polietileno autolubrificado.
 Self-lubricating polyethylene.
 Polyéthylène autolubrifié.
 Selbstschmierendes Polyäthylen.

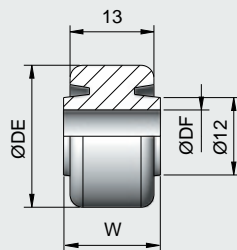
**NUEVO PRODUCTO
 NEW PRODUCT
 NOUVEAU PRODUIT
 NEUES PRODUKT**

DE	DF	Kg	COD.	
70	20,2	0,02	8015260	100



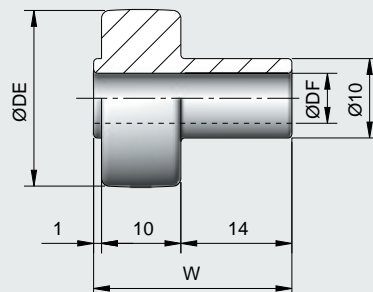
- M** Acetal autolubricado.
 Self-lubricating acetal.
 Acetal autolubrifié.
 Selbstschmierendes Azetal.

DE	DF	W	Kg	COD.	
22	11,1	13	0,01	8010022	500
30	11,1	13	0,01	8010023	



- M** Acetal autolubricado.
 Self-lubricating acetal.
 Acetal autolubrifié.
 Selbstschmierendes Azetal.

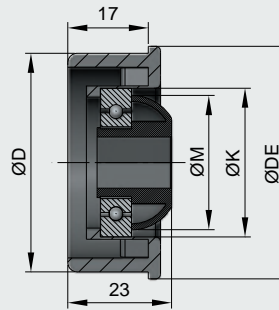
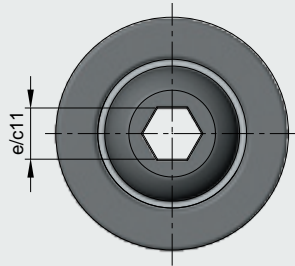
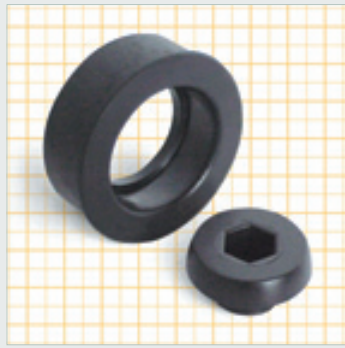
DE	DF	W	Kg	COD.	
22	8,2	15	0,01	8010055	500
22	6,5	17	0,01	8010032	
30	8,2	15	0,01	8010057	



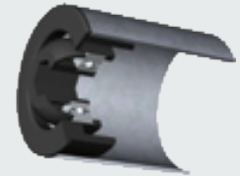
- M** Acetal autolubricado.
 Self-lubricating acetal.
 Acetal autolubrifié.
 Selbstschmierendes Azetal.

DE	DF	W	Kg	COD.	
22	6,3	25	0,01	8010035	500

TERMINAL PARA RODILLO / HANDLE FOR ROLLER /
EMBOUT POUR ROULEAU / WALZENENDSTÜCK.



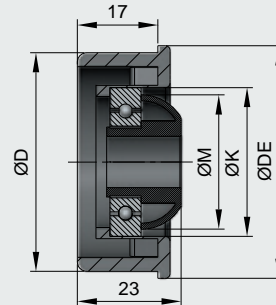
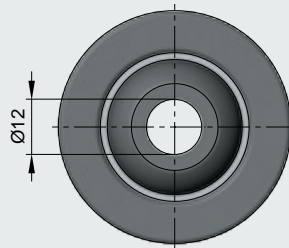
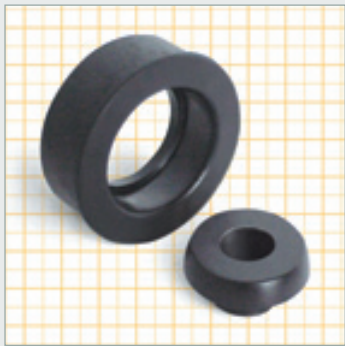
- M** Poliamida reforzada.
 Reinforced Polyamide.
 Polyamide Renforcé.
 Aus verstärktem Polyamid.



- SIN RODAMIENTO - A utilizar (✳)
- WITHOUT BEARING - To use (✳)
- SANS ROULEMENT - A utiliser (✳)
- OHNE WÄLZLAGER - Zu verwenden (✳)

*	DE	K	M	D	Kg	COD.	
6002	50	32	29	47	0,02	8010401	50

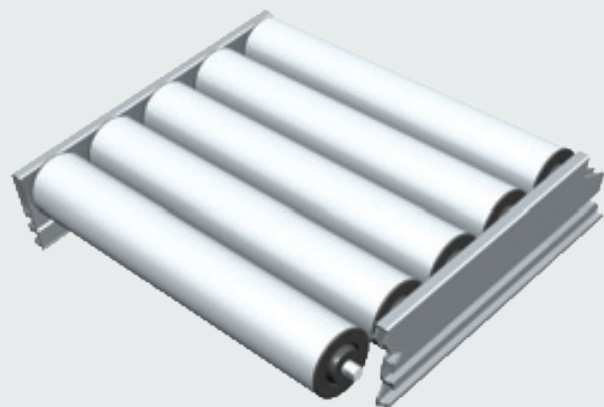
TERMINAL PARA RODILLO / HANDLE FOR ROLLER /
EMBOUT POUR ROULEAU / WALZENENDSTÜCK.



- M** Poliamida reforzada.
 Reinforced Polyamide.
 Polyamide Renforcé.
 Aus verstärktem Polyamid.

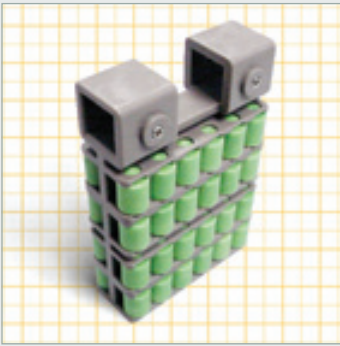
- SIN RODAMIENTO - A utilizar (✳)
- WITHOUT BEARING - To use (✳)
- SANS ROULEMENT - A utiliser (✳)
- OHNE WÄLZLAGER - Zu verwenden (✳)

*	DE	K	M	D	Kg	COD.	
6002	50	32	29	47	0,02	8010416	50
6202	60	35	32	57	0,03	8010420	
6302	70	42	39	67	0,04	8010429	

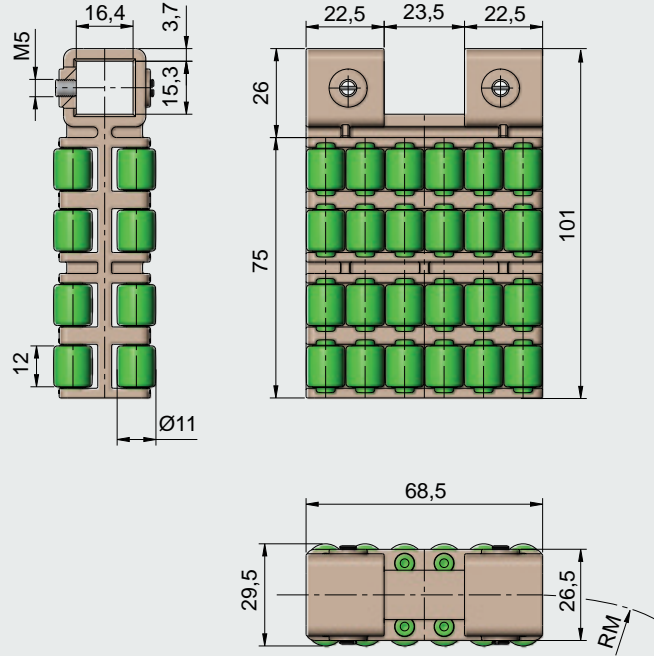


B

MÓDULO CENTRAL RODILLOS / CENTRAL ROLLER MODULE
MODULE CENTRAL GALETS / ZENTRAL RÖLLCHEN - MODUL

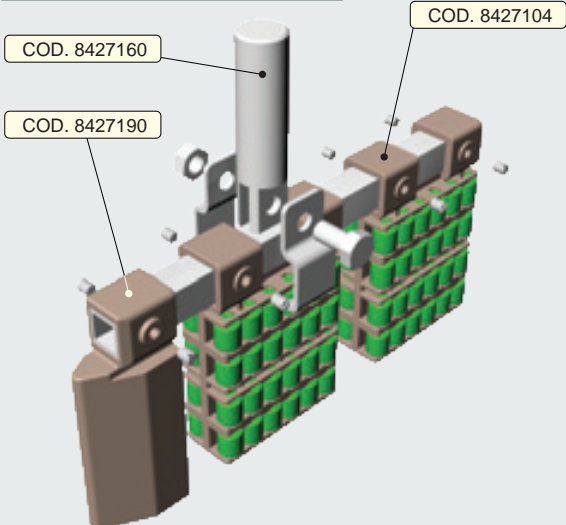
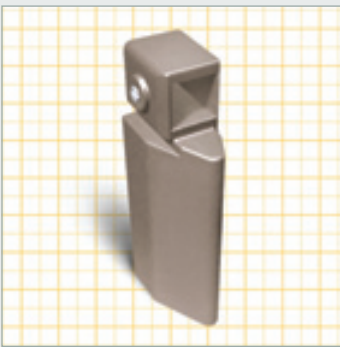


- M** Acetal autolubrificado, tornillería acero inoxidable.
 Self-lubricating acetal, fasteners in stainless steel.
 Acetal autolubrífié, visserie acier inox.
 Selbstschmierendes Azetal, Mutter aus vernickeltem Messing.

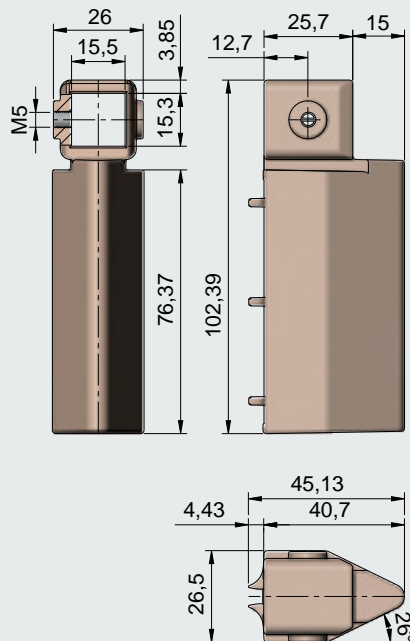


RM	Kg	COD.	
400	0,13	8427104	50

SEPARADOR / DIVIDER / SÉPARATEUR / TRENNEND

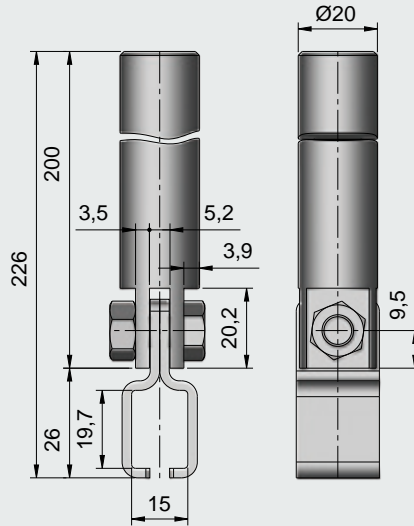
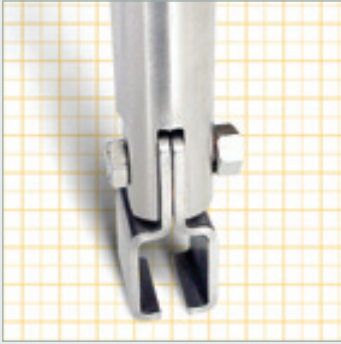


- M** Acetal autolubrificado, tornillería acero inoxidable.
 Self-lubricating acetal, fasteners in stainless steel.
 Acetal autolubrífié, visserie acier inox.
 Selbstschmierendes Azetal, Mutter aus vernickeltem Messing.



Kg	COD.	
0,05	8427190	50

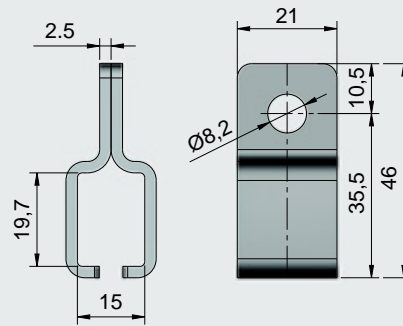
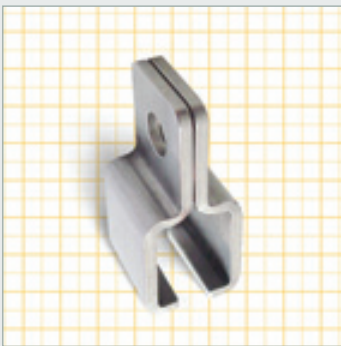
PINZA / PLIERS / PINCE / KLEMME



M Acero inoxidable. Stainless steel.
 Acier inoxydable. Edelstahl.

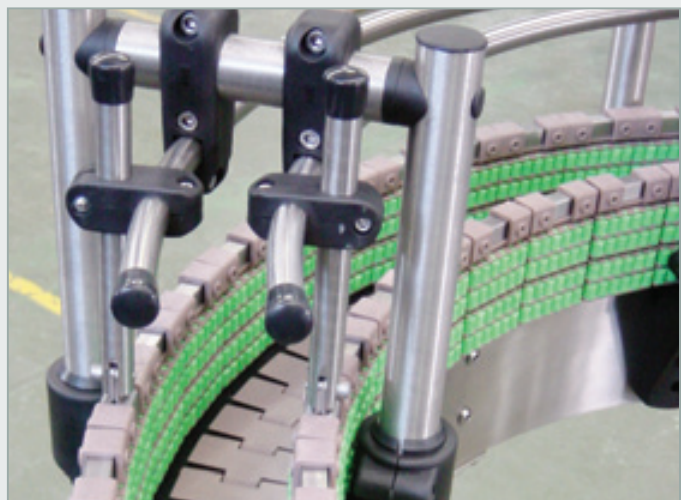
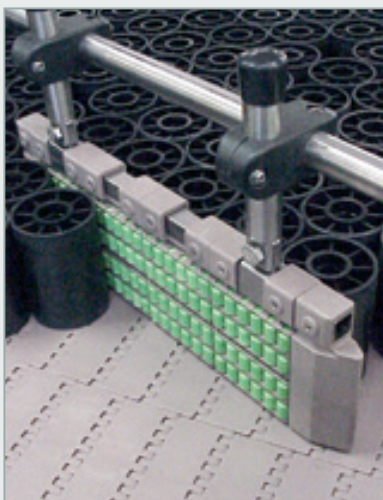
Kg	COD.	
0,50	8427160	25

PINZA / PLIERS / PINCE / KLEMME



M Acero inoxidable. Stainless steel.
 Acier inoxydable. Edelstahl.

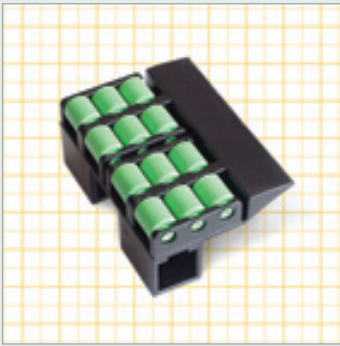
Kg	COD.	
0,04	8427165	200



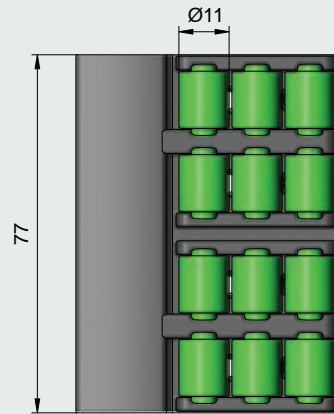
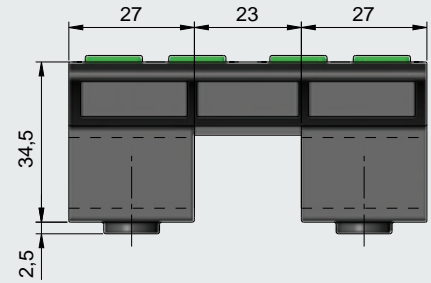
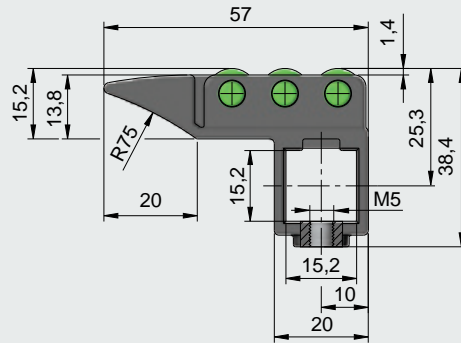
B

B

MÓDULO TRANSFERENCIA / TRANSFERENCE MODULE
 MODULE TRANSFERT / FAHRT - MODUL



- M** Acetal autolubricado, tornillería acero inoxidable.
 Self-lubricating acetal, fasteners in stainless steel.
 Acetal autolubrifié, visserie acier inox.
 Selbstschmierendes Azetal, Mutter aus vernickeltem Messing.



Kg	COD.	
0.05	8429412	50

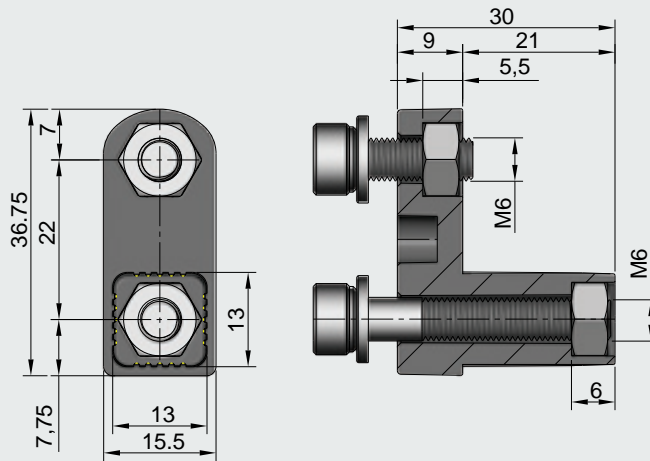


FIJACIÓN - TRANSFERENCIA / TRANSFERENCE JUNCTION
 FIXATION - TRANSFERT / FAHRT - ANSCHLAGUNG

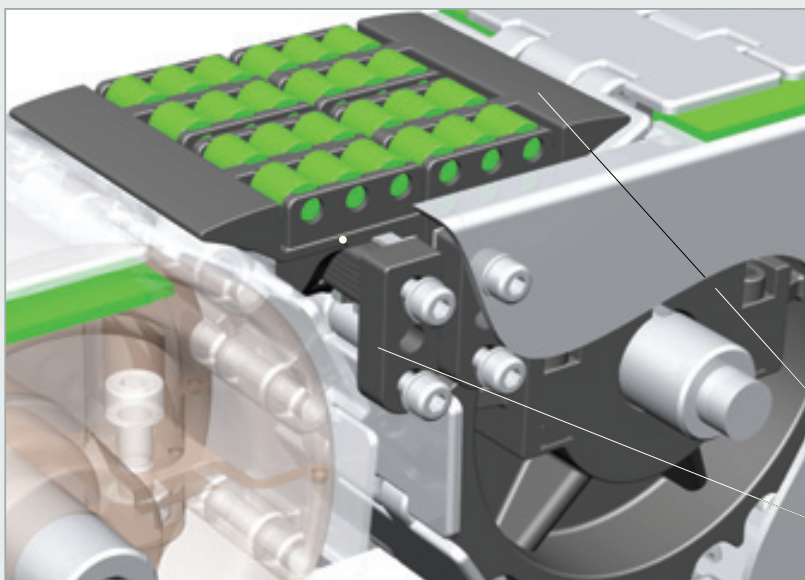


Para tubo }
 For tube } \varnothing 15X1
 Pour tube }
 Für Rohr }

- M** Poliamida reforzada, tornillería acero inox.
 Reinforced Polyamide, fastener in stainless steel.
 Polyamide renforcé, visserie acier inox.
 Aus verstärktem Polyamid, Verschraubung aus Edelstahl 1.4301.



Kg	COD.	
0,03	8429480	100



COD. 8429412

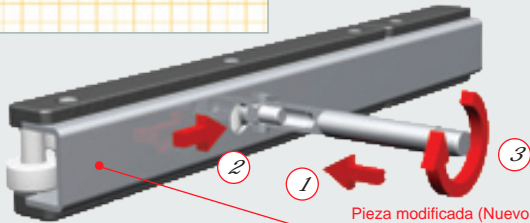
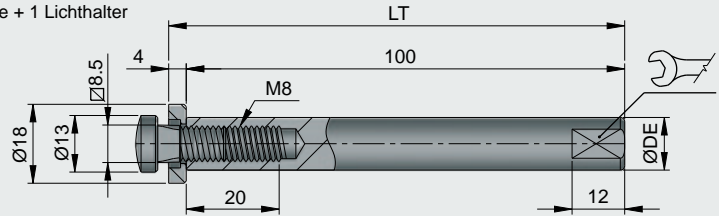
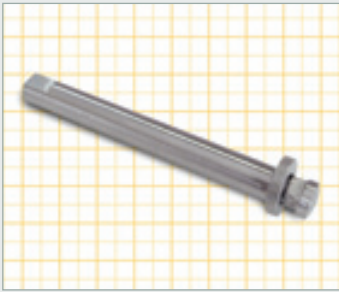
COD. 8429480

B

ANCLAJE PARA PISTAS DE RODILLOS / ROLLER GUIDES HOOK ANCRAGE POUR RAMPES À GALETS / ANKERSCHRAUBE FÜR RÖLLCHENFÜHRUNGEN

M Acero inoxidable.
 Stainless steel.
 Acier inoxydable.
 Edelstahl.

1 ud = 1 eje + 1 tornillo + 1 arandela
1 pc = 1 spindle + 1 screw + 1 washer
1 pce. = 1 axe + 1 écrou + 1 rondelle
1 st. = 1 Achse + 1 Schraube + 1 Lichthalter

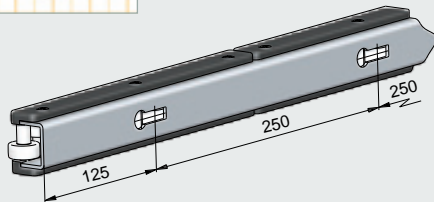
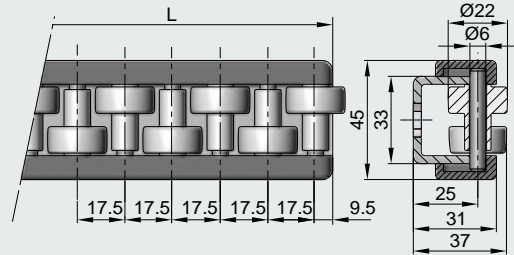


Pieza modificada (Nuevo Anclaje)
Modified piece (New Hook)
Pièce modifiée (Nouveau Ancrage)
Abgeändert stück (Neue Ankerschraube)

DE		LT	Kg	COD.	
12	10	104	0,11	8220801	100
14	12	104	0,14	8220805	75
15	12	104	0,16	8220811	50
16	14	104	0,18	8220819	50



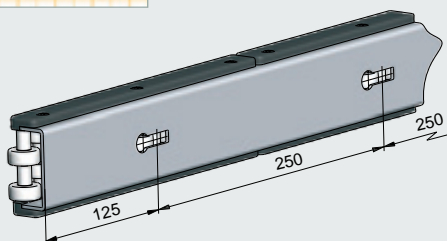
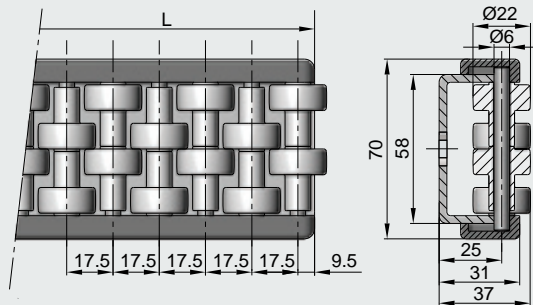
M Estructura y eje Acero Inoxidable, soporte eje Poliamida reforzada, rodillos en acetato.
 Structure and pin in stainless steel + roller in acetate.
 Profilé, axes en acier inox, rouleaux acetate.
 U-Profil und Stifte aus Edelstahl, Halteschiene aus verstärktem Polyamid, Röllchen aus selbstschmierendem Azetat.



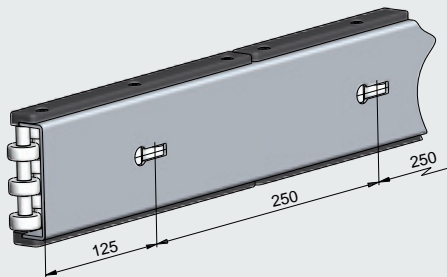
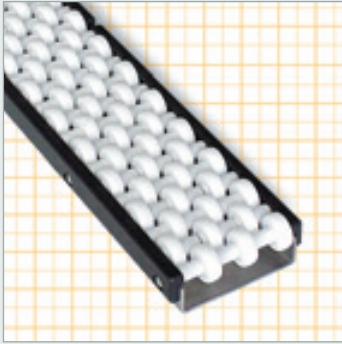
L	Kg	COD.	
1000	2,41	8411652	
2000	5,80	8412790	2
3000	8,22	8413877	



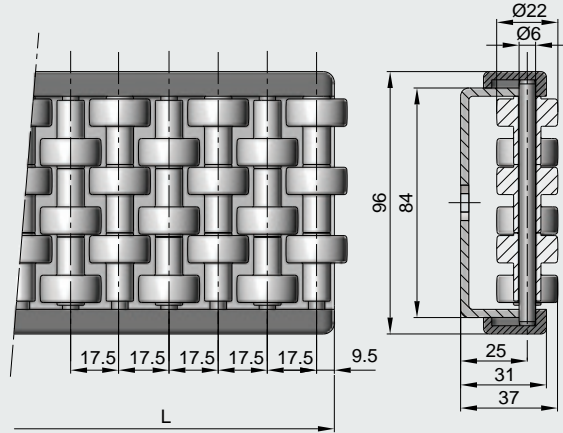
M Estructura y eje Acero Inoxidable, soporte eje Poliamida reforzada, rodillos en acetato.
 Structure and pin in stainless steel + roller in acetate.
 Profilé, axes en acier inox, rouleaux acetate.
 U-Profil und Stifte aus Edelstahl, Halteschiene aus verstärktem Polyamid, Röllchen aus selbstschmierendem Azetat.



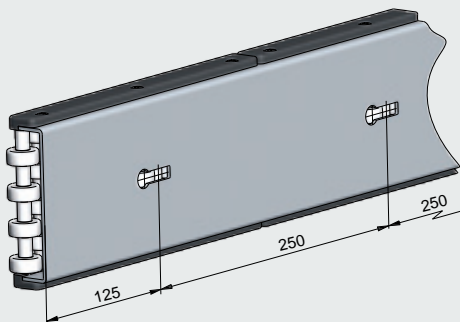
L	Kg	COD.	
1000	3,50	8411654	
2000	7,00	8412792	2
3000	10,50	8413879	



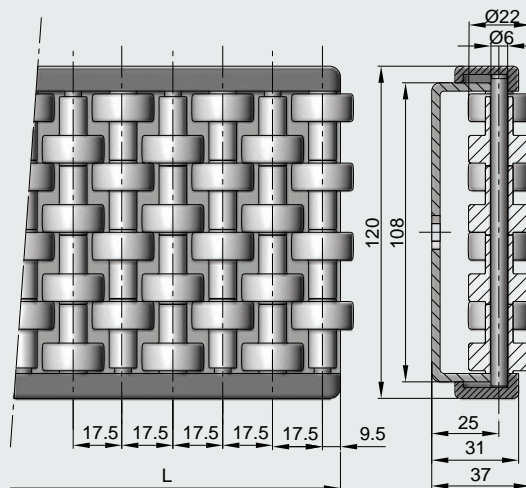
- M** Estructura y eje Acero Inoxidable, soporte eje Poliamida reforzada, rodillos en acetal.
 Structure and pin in stainless steel + roller in acetal.
 Profilé, axes en acier inox, rouleaux acetal.
 U-Profil und Stifte aus Edelstahl 1.4301, Halteschiene aus verstärktem Polyamid, Röllchen aus selbstschmierendem Azetal.



L	Kg.	COD.	
1000	4,60	8411657	
2000	9,20	8412795	2
3000	13,80	8413881	

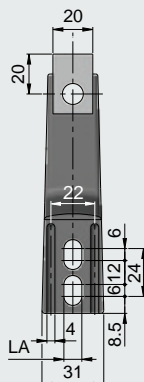
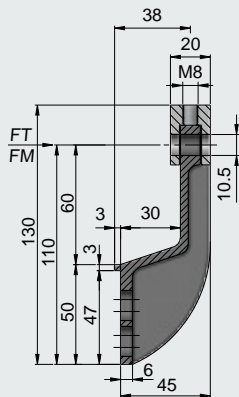


- M** Estructura y eje Acero Inoxidable, soporte eje Poliamida reforzada, rodillos en acetal.
 Structure and pin in stainless steel + roller in acetal.
 Profilé, axes en acier inox, rouleaux acetal.
 U-Profil und Stifte aus Edelstahl 1.4301, Halteschiene aus verstärktem Polyamid, Röllchen aus selbstschmierendem Azetal.



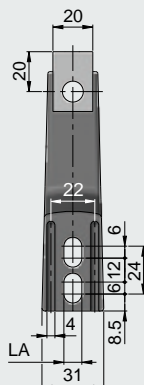
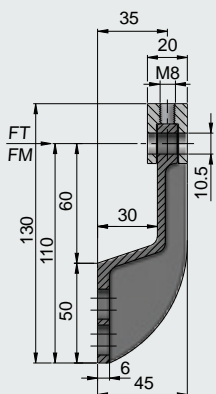
L	Kg.	COD.	
1000	5,75	8411660	
2000	11,50	8412797	2
3000	17,25	8413883	1

B



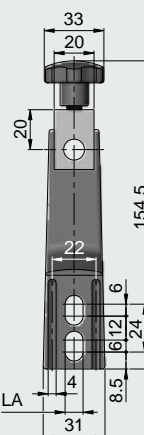
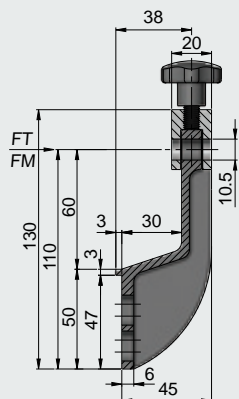
M Poliamida reforzada, cabezal tirante Aluminio anodizado.
 Reinforced Polyamide, head eyebolt Silver anodized aluminium.
 Polyamide renforcé, Tête entretoise Aluminium anodisé.
 Aus verstärktem Polyamid, Kopf und Schrauben aus Eloxiertes Aluminium.

DF	LA	FT N (newton)	FM N (newton)	Kg	COD.	
10,5	7	1000	2000	0,06	8110210	25
10,5	9	1000	2000	0,06	8110212	



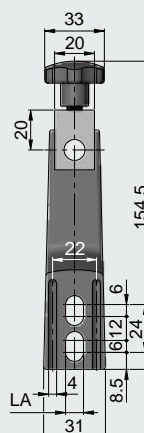
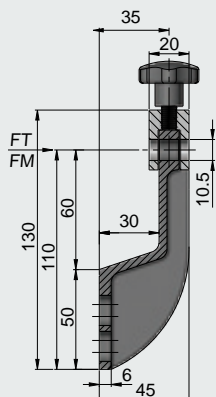
M Poliamida reforzada, cabezal tirante Aluminio anodizado.
 Reinforced Polyamide, head eyebolt Silver anodized aluminium.
 Polyamide renforcé, Tête entretoise Aluminium anodisé.
 Aus verstärktem Polyamid, Kopf und Schrauben aus Eloxiertes Aluminium.

DF	LA	FT N (newton)	FM N (newton)	Kg	COD.	
10,5	7	1000	2000	0,06	8110231	25
10,5	9	1000	2000	0,06	8110234	



M Poliamida reforzada, cabezal tirante Aluminio anodizado e inserto en latón niquelado.
 Reinforced Polyamide, head eyebolt Silver anodized aluminium and bushings in nickel plated brass.
 Polyamide renforcé, Tête entretoise Aluminium anodisé et inserts laiton nickelé.
 Aus verstärktem Polyamid, Kopf und Schrauben aus Eloxiertes Aluminium und Scheibe aus vernickeltem Messing.

DF	LA	FT N (newton)	FM N (newton)	Kg	COD.	
10,5	7	1000	2000	0,08	8110201	25
10,5	9	1000	2000	0,08	8110205	

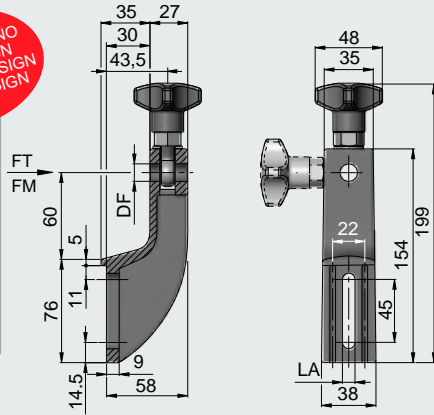


M Poliamida reforzada, cabezal tirante Aluminio anodizado e inserto en latón niquelado.
 Reinforced Polyamide, head eyebolt Silver anodized aluminium and bushings in nickel plated brass.
 Polyamide renforcé, Tête entretoise Aluminium anodisé et inserts laiton nickelé.
 Aus verstärktem Polyamid, Kopf und Schrauben aus Eloxiertes Aluminium und Scheibe aus vernickeltem Messing.

DF	LA	FT N (newton)	FM N (newton)	Kg	COD.	
10,5	7	1000	2000	0,08	8110215	25
10,5	9	1000	2000	0,08	8110221	



**NUEVO DISEÑO
NEW DESIGN
NOUVEAU DESIGN
NEUES DESIGN**

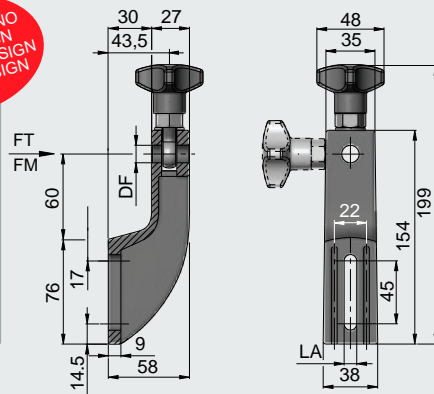


M Poliamida reforzada, tirante Acero inoxidable e inserto en latón niquelado. Reinforced Polyamide, eyebolt Stainless steel and bushings in nickel plated brass. Polyamide renforcé, entretoise Acier inoxydable et inserts laiton nickelé. Aus verstärktem Polyamid, Ringschrauben-spanner, Buchse Edelstahl und Scheibe aus vernickeltem Messing.

DF	LA	FT N(newton)	FM N(newton)	Kg	COD.	
12,5		2000		0,21	8110092NV	
14,5	9	3000	4000	0,21	8110093NV	25
16,5		3000		0,21	8110094NV	
12,5		2000		0,21	8110095NV	
14,5	10,5	3000	4000	0,20	8110096NV	25
16,5		3000		0,20	8110097NV	



**NUEVO DISEÑO
NEW DESIGN
NOUVEAU DESIGN
NEUES DESIGN**

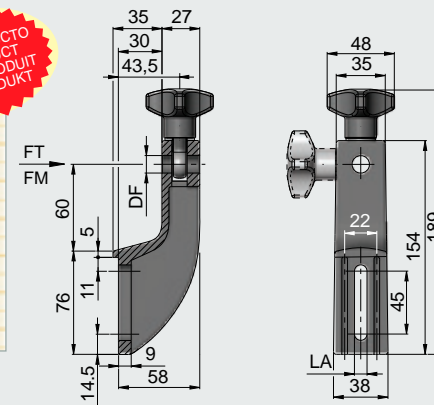


M Poliamida reforzada, tirante Acero inoxidable e inserto en latón niquelado. Reinforced Polyamide, eyebolt Stainless steel and bushings in nickel plated brass. Polyamide renforcé, entretoise Acier inoxydable et inserts laiton nickelé. Aus verstärktem Polyamid, Ringschrauben-spanner, Buchse Edelstahl und Scheibe aus vernickeltem Messing.

DF	LA	FT N(newton)	FM N(newton)	Kg	COD.	
12,5		2000		0,20	8110030NV	
14,5	9	3000	4000	0,20	8110031NV	25
16,5		3000		0,20	8110032NV	
12,5		2000		0,20	8110033NV	
14,5	10,5	3000	4000	0,20	8110034NV	25
16,5		3000		0,20	8110035NV	



**NUEVO PRODUCTO
NEW PRODUCT
NOUVEAU PRODUIT
NEUES PRODUKT**

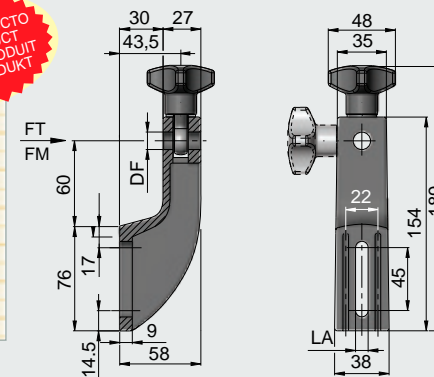


M Poliamida reforzada, tirante Acero inoxidable. Reinforced Polyamide, eyebolt Stainless steel. Polyamide renforcé, entretoise Acier inoxydable. Aus verstärktem Polyamid, Ringschrauben-spanner, Buchse Edelstahl.

DF	LA	FT N(newton)	FM N(newton)	Kg	COD.	
12,5		2000		0,21	8110263	
14,5	9	3000	4000	0,21	8110264	25
16,5		3000		0,21	8110265	
12,5		2000		0,21	8110268	
14,5	10,5	3000	4000	0,20	8110269	25
16,5		3000		0,20	8110270	



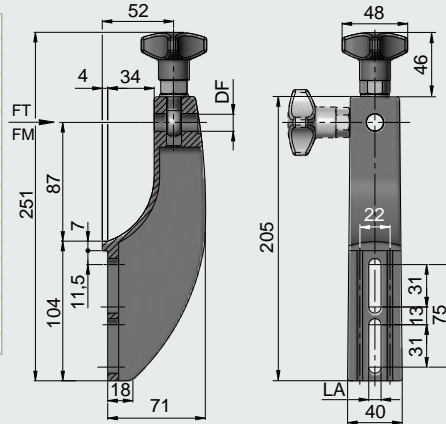
**NUEVO PRODUCTO
NEW PRODUCT
NOUVEAU PRODUIT
NEUES PRODUKT**



M Poliamida reforzada, tirante Acero inoxidable. Reinforced Polyamide, eyebolt Stainless steel. Polyamide renforcé, entretoise Acier inoxydable. Aus verstärktem Polyamid, Ringschrauben-spanner, Buchse Edelstahl.

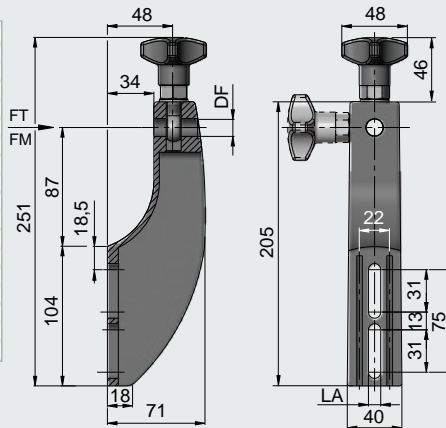
DF	LA	FT N(newton)	FM N(newton)	Kg	COD.	
12,5		2000		0,20	8110272	
14,5	9	3000	4000	0,20	8110273	25
16,5		3000		0,20	8110274	
12,5		2000		0,20	8110276	
14,5	10,5	3000	4000	0,20	8110277	25
16,5		3000		0,20	8110278	

B



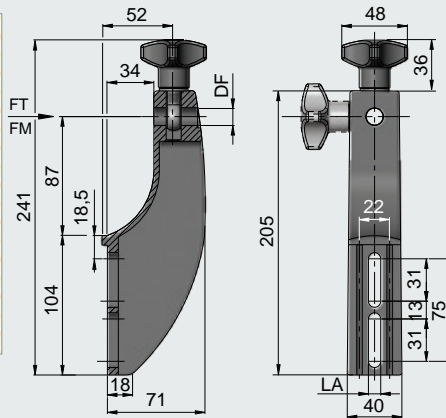
M Poliamida reforzada, tirante Acero inoxidable e inserto en latón niquelado. Reinforced Polyamide, eyebolt Stainless steel and bushings in nickel plated brass. Polyamide renforcé, entretoise Acier inoxydable et inserts laiton nickelé. Aus verstärktem Polyamid, Ringschrauben-spanner, Buchse Edelstahl und Scheibe aus vernickeltem Messing.

DF	LA	FT N (newton)	FM N (newton)	Kg	COD.	
12,5		2000		0,280	8110024	
14,5	9	3000	5000	0,278	8110025	20
16,5		3200		0,276	8110026	
12,5		2000		0,280	8110027	
14,5	10,5	3000	5000	0,278	8110028	20
16,5		3200		0,276	8110029	



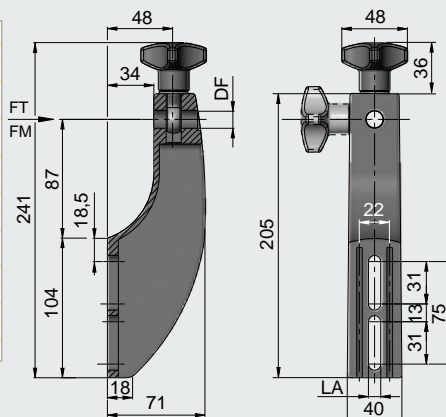
M Poliamida reforzada, tirante Acero inoxidable e inserto en latón niquelado. Reinforced Polyamide, eyebolt Stainless steel and bushings in nickel plated brass. Polyamide renforcé, entretoise Acier inoxydable et inserts laiton nickelé. Aus verstärktem Polyamid, Ringschrauben-spanner, Buchse Edelstahl und Scheibe aus vernickeltem Messing.

DF	LA	FT N (newton)	FM N (newton)	Kg	COD.	
12,5		2000		0,283	8110018	
14,5	9	3000	5000	0,281	8110019	20
16,5		3200		0,279	8110020	
12,5		2000		0,283	8110021	
14,5	10,5	3000	5000	0,281	8110022	20
16,5		3200		0,279	8110023	



M Poliamida reforzada, tirante Acero inoxidable. Reinforced Polyamide, eyebolt Stainless steel. Polyamide renforcé, entretoise Acier inoxydable. Aus verstärktem Polyamid, Ringschrauben-spanner, Buchse Edelstahl.

DF	LA	FT N (newton)	FM N (newton)	Kg	COD.	
12,5		2000		0,280	8110150	
14,5	9	3000	5000	0,278	8110151	20
16,5		3200		0,276	8110152	
12,5		2000		0,280	8110156	
14,5	10,5	3000	5000	0,278	8110157	20
16,5		3200		0,276	8110158	

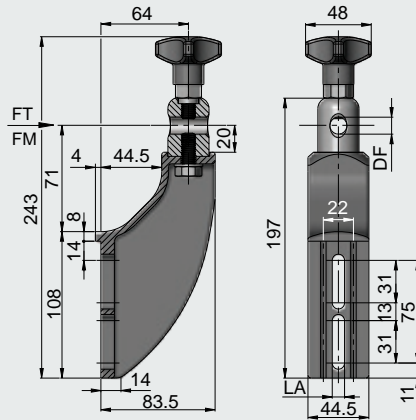


M Poliamida reforzada, tirante Acero inoxidable. Reinforced Polyamide, eyebolt Stainless steel. Polyamide renforcé, entretoise Acier inoxydable. Aus verstärktem Polyamid, Ringschrauben-spanner, Buchse Edelstahl.

DF	LA	FT N (newton)	FM N (newton)	Kg	COD.	
12,5		2000		0,283	8110137	
14,5	9	3000	5000	0,281	8110138	20
16,5		3200		0,279	8110139	
12,5		2000		0,283	8110142	
14,5	10,5	3000	5000	0,281	8110143	20
16,5		3200		0,279	8110144	

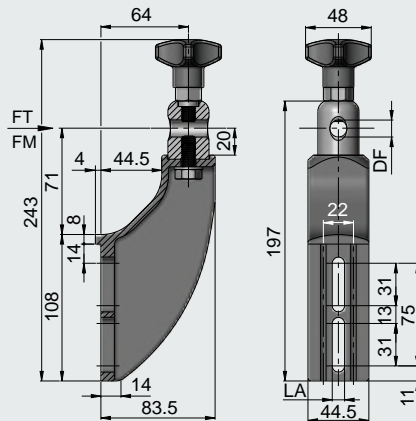
NUEVO PRODUCTO
NEW PRODUCT
NOUVEAU PRODUIT
NEUES PRODUKT

NUEVO PRODUCTO
NEW PRODUCT
NOUVEAU PRODUIT
NEUES PRODUKT



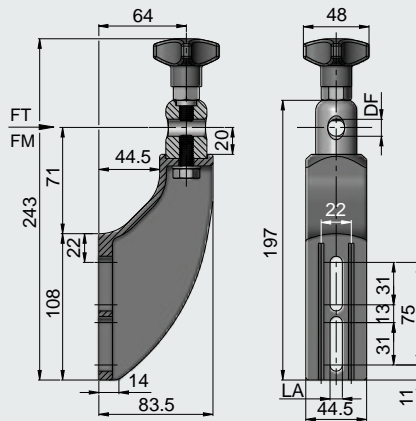
M Poliamida reforzada, cabezal tirante en Acero inoxidable.
 Reinforced Polyamide, head eyebolt in Stainless steel.
 Polyamide renforcé, tête et entretoise Acier inoxydable.
 Aus verstärktem Polyamid, Kopf und Schrauben aus Edelstahl.

DF	LA	FT N (newton)	FM N (newton)	Kg	COD.	
12,5		5000		0,49	8115160	
14,5	9	6000	7500	0,47	8115161	20
16,5		6000		0,44	8115163	
12,5		5000		0,49	8115175	
14,5	10,5	5000	7500	0,47	8115176	20
16,5		6000		0,44	8115178	



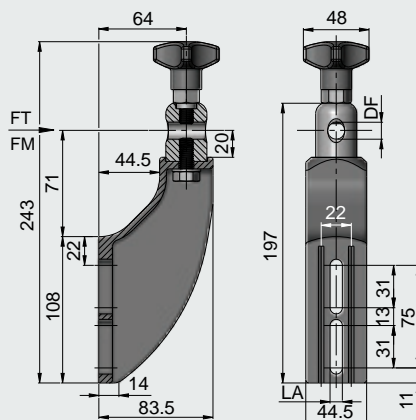
M Poliamida reforzada, cabezal tirante e inserto en latón niquelado. Reinforced Polyamide, head eyebolt and bushing in nickel plated brass. Polyamide renforcé, tête, entretoise et inserts laiton niquelé. Aus verstärktem Polyamid, Kopf, Buchse und Schrauben aus vernickeltem Messing.

DF	LA	FT N (newton)	FM N (newton)	Kg	COD.	
12,5		5000		0,49	8115038	
14,5	9	6000	7500	0,47	8115039	20
16,5		6000		0,44	8115040	
12,5		5000		0,49	8115041	
14,5	10,5	5000	7500	0,47	8115042	20
16,5		6000		0,44	8115043	



M Poliamida reforzada, cabezal tirante en Acero inoxidable. Reinforced Polyamide, head eyebolt in Stainless steel. Polyamide renforcé, tête et entretoise Acier inoxydable. Aus verstärktem Polyamid, Kopf und Schrauben aus Edelstahl.

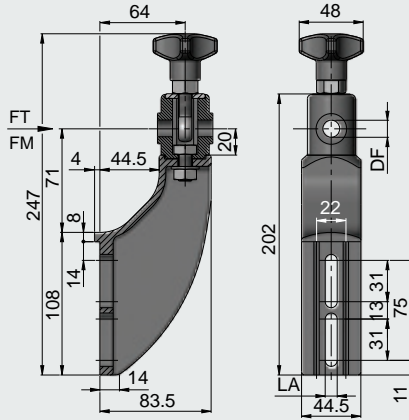
DF	LA	FT N (newton)	FM N (newton)	Kg	COD.	
12,5		5000		0,49	8115185	
14,5	9	6000	7500	0,47	8115186	20
16,5		6000		0,44	8115187	
12,5		5000		0,49	8115190	
14,5	10,5	6000	7500	0,47	8115191	20
16,5		6000		0,44	8115193	



M Poliamida reforzada, cabezal tirante e inserto en latón niquelado. Reinforced Polyamide, head eyebolt and bushing in nickel plated brass. Polyamide renforcé, tête, entretoise et inserts laiton niquelé. Aus verstärktem Polyamid, Kopf, Buchse und Schrauben aus vernickeltem Messing.

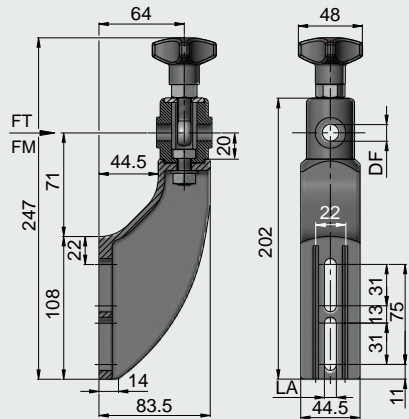
DF	LA	FT N (newton)	FM N (newton)	Kg	COD.	
12,5		5000		0,49	8115059	
14,5	9	6000	7500	0,47	8115060	20
16,5		6000		0,44	8115061	
12,5		5000		0,49	8115062	
14,5	10,5	6000	7500	0,47	8115063	20
16,5		6000		0,44	8115064	

B



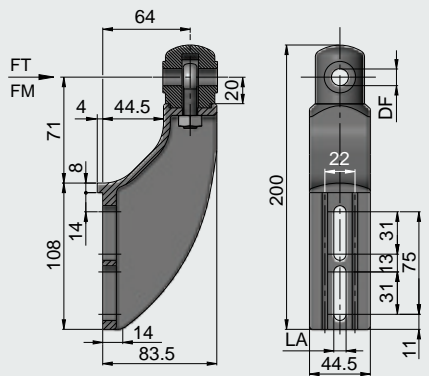
M Poliamida reforzada, tirante Acero inoxidable e inserto en latón niquelado. Reinforced Polyamide, eyebolt Stainless steel and bushings in nickel plated brass. Polyamide renforcé, entretoise Acier inoxydable et inserts laiton nickelé. Aus verstärktem Polyamid, Ringschrauben-spanner, Buchse Edelstahl und Scheibe aus vernickeltem Messing.

DF	LA	FT N (newton)	FM N (newton)	Kg	COD.	
12,5		2600		0,33	8115044	
14,5	9	3500	7500	0,32	8115045	20
16,5		3500		0,32	8115046	
12,5		2600		0,33	8115047	
14,5	10,5	3500	7500	0,32	8115048	20
16,5		3500		0,32	8115049	



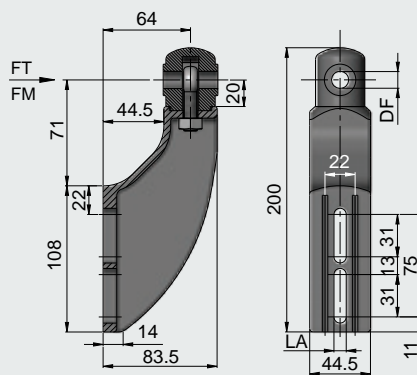
M Poliamida reforzada, tirante Acero inoxidable e inserto en latón niquelado. Reinforced Polyamide, eyebolt Stainless steel and bushings in nickel plated brass. Polyamide renforcé, entretoise Acier inoxydable et inserts laiton nickelé. Aus verstärktem Polyamid, Ringschrauben-spanner, Buchse Edelstahl und Scheibe aus vernickeltem Messing.

DF	LA	FT N (newton)	FM N (newton)	Kg	COD.	
12,5		2600		0,30	8115065	
14,5	9	3500	7500	0,30	8115066	20
16,5		3500		0,30	8115067	
12,5		2600		0,30	8115068	
14,5	10,5	3500	7500	0,30	8115069	20
16,5		3500		0,30	8115070	



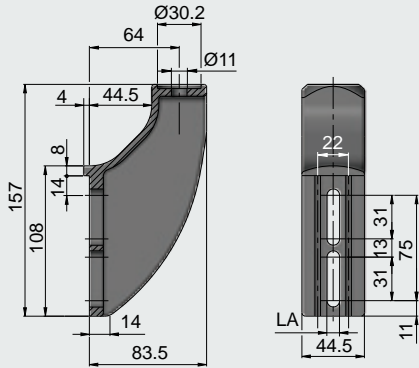
M Poliamida reforzada, tirante Acero inoxidable e inserto en latón niquelado. Reinforced Polyamide, eyebolt Stainless steel and bushings in nickel plated brass. Polyamide renforcé, entretoise Acier inoxydable et inserts laiton nickelé. Aus verstärktem Polyamid, Ringschrauben-spanner, Buchse Edelstahl und Scheibe aus vernickeltem Messing.

DF	LA	FT N (newton)	FM N (newton)	Kg	COD.	
12,5		2200		0,20	8115051	
14,5	9	3000	7500	0,20	8115052	20
16,5		3000		0,20	8115053	
12,5		2200		0,20	8115054	
14,5	10,5	3000	7500	0,20	8115055	20
16,5		3000		0,20	8115056	



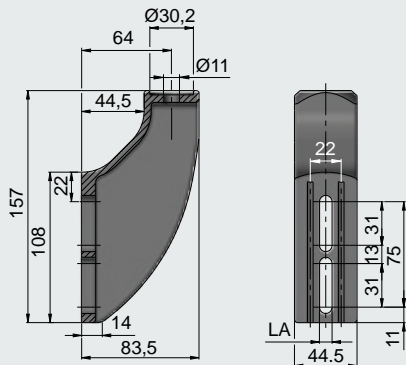
M Poliamida reforzada, tirante Acero inoxidable e inserto en latón niquelado. Reinforced Polyamide, eyebolt Stainless steel and bushings in nickel plated brass. Polyamide renforcé, entretoise Acier inoxydable et inserts laiton nickelé. Aus verstärktem Polyamid, Ringschrauben-spanner, Buchse Edelstahl und Scheibe aus vernickeltem Messing.

DF	LA	FT N (newton)	FM N (newton)	Kg	COD.	
12,5		2200		0,21	8115071	
14,5	9	3000	7500	0,20	8115072	20
16,5		3000		0,20	8115073	
12,5		2200		0,21	8115074	
14,5	10,5	3000	7500	0,20	8115075	20
16,5		3000		0,20	8115076	



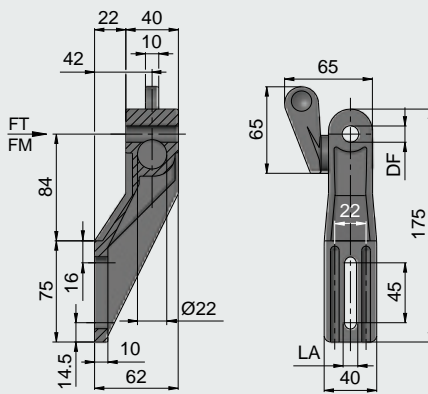
- M** Poliamida reforzada.
 Reinforced polyamide.
 Polyamide renforcé.
 Verstärktes Polyamid.

DF	LA	FT N (newton)	FM N (newton)	Kg	COD.	
-	9	-	7500	0,18	8115036	20
-	10,5	-		0,17	8115037	



- M** Poliamida reforzada.
 Reinforced polyamide.
 Polyamide renforcé.
 Verstärktes Polyamid.

DF	LA	FT N (newton)	FM N (newton)	Kg	COD.	
-	9	-	7500	0,17	8115057	20
-	10,5	-		0,17	8115058	



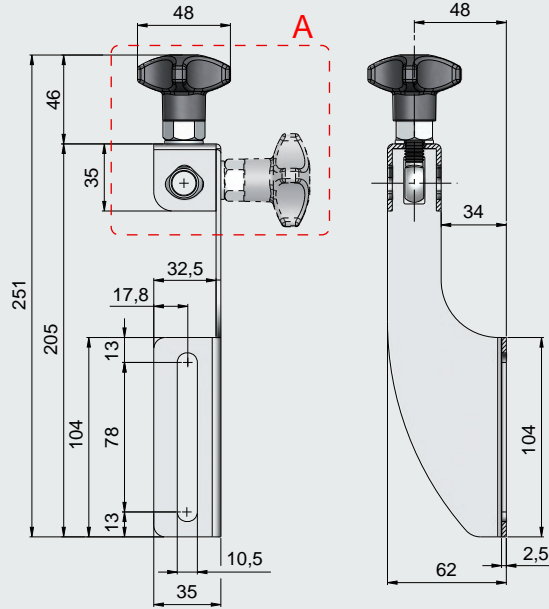
- M** Poliamida reforzada.
 Reinforced polyamide.
 Polyamide renforcé.
 Verstärktes Polyamid.

DF	LA	FT N(newton)	FM N(newton)	Kg.	COD.	
12,2	9	-	3000	0,17	8110012	25
15,2	9	800		0,17	8110015	

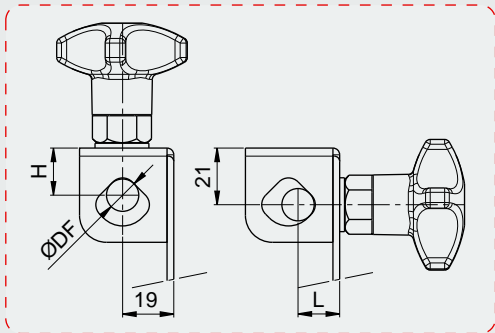
B



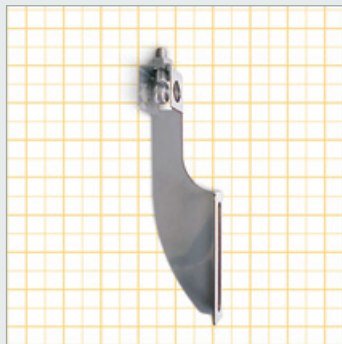
M Acero inoxidable, poliamida reforzada e inserto en latón niquelado. / Stainless steel, reinforced polyamide and bushings in nickel plated brass.



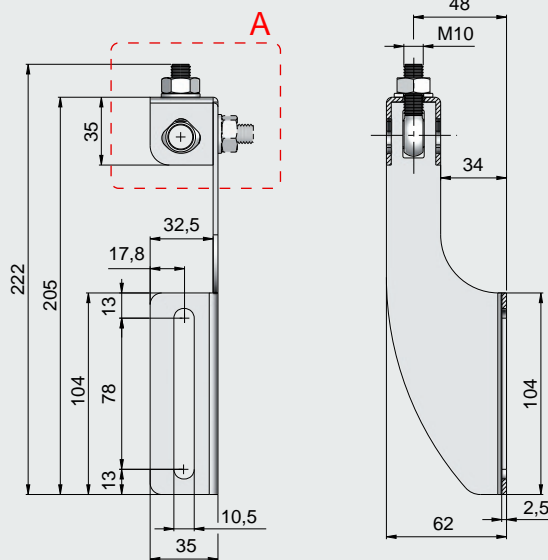
Detalle - A



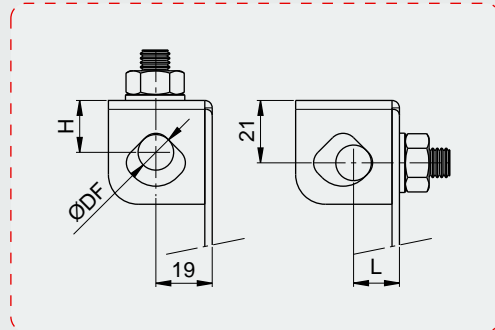
DF	H	L	Kg	COD.	
12	18	16			
14	19	17	0,33	8162467	25
16	20	19			



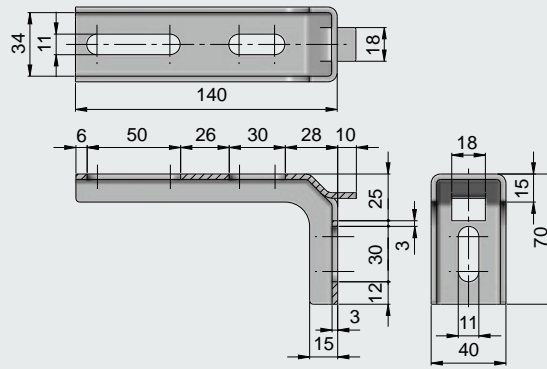
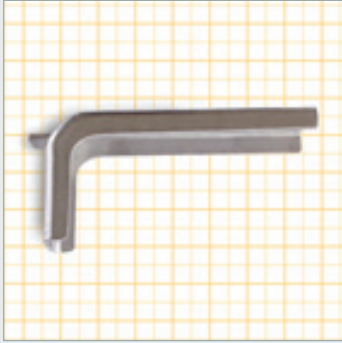
M Acero inoxidable. Stainless steel.



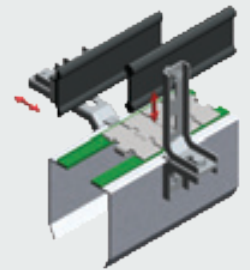
Detalle - A



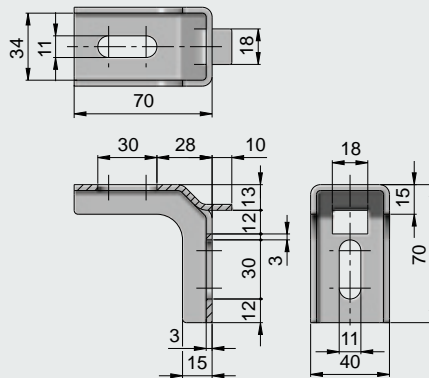
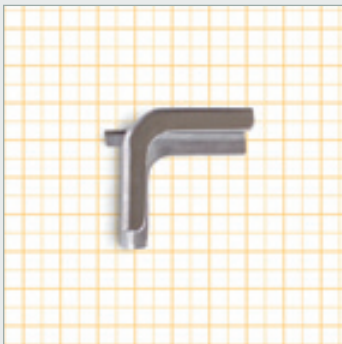
DF	H	L	Kg	COD.	
12	18	16			
14	19	17	0,33	8161450	25
16	20	19			



M Acero inoxidable. Stainless steel. Acier inoxydable. Edelstahl.

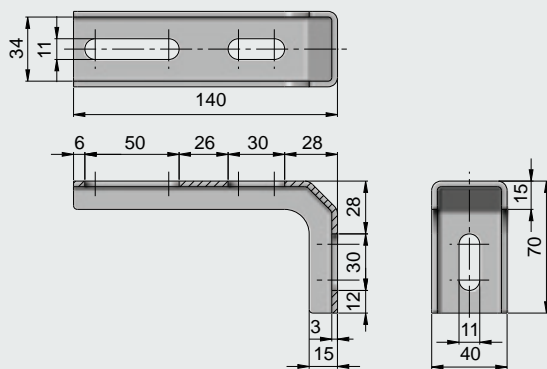
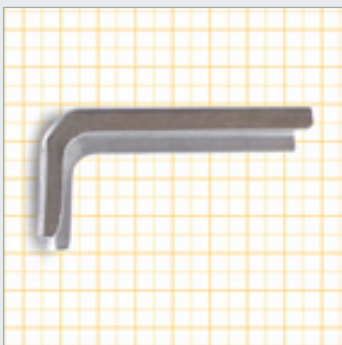


Kg	COD.	
0,24	8160439	20



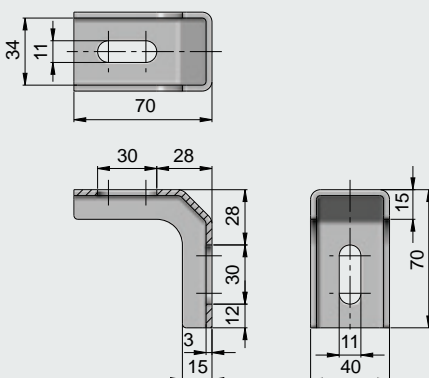
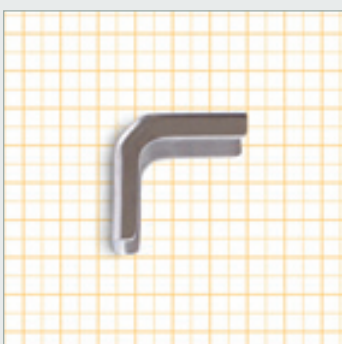
M Acero inoxidable. Stainless steel. Acier inoxydable. Edelstahl.

Kg	COD.	
0,15	8160416	20



M Acero inoxidable. Stainless steel. Acier inoxydable. Edelstahl.

Kg	COD.	
0,24	8160425	20

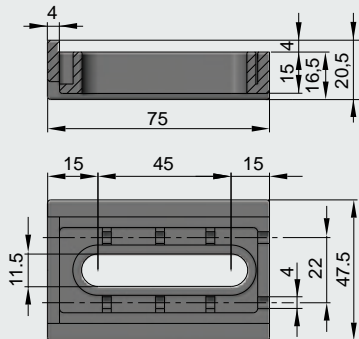


M Acero inoxidable. Stainless steel. Acier inoxydable. Edelstahl.

Kg	COD.	
0,15	8160410	20

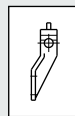
B

DISTANCIADOR PARA SOPORTES / SUPPORT SPACER
ENTRETOISE POUR SUPPORTS / ABSTANDSHALTERUNG



M Poliamida reforzada. Reinforced polyamide.
 Polyamide renforcé. Verstärktes Polyamid.

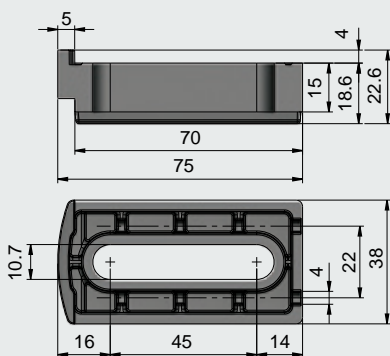
SOPORTES A UTILIZAR / SUPPORTS TO USE /
POUR SUPPORTS / GEBRAUCHSHALTERUNGEN



8110012
8110015

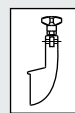
Kg	COD.	
0,05	8190801	50

DISTANCIADOR PARA SOPORTES / SUPPORT SPACER
ENTRETOISE POUR SUPPORTS / ABSTANDSHALTERUNG

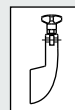


M Poliamida reforzada. Reinforced polyamide.
 Polyamide renforcé. Verstärktes Polyamid.

SOPORTES A UTILIZAR / SUPPORTS TO USE /
POUR SUPPORTS / GEBRAUCHSHALTERUNGEN



8110092NV 8110263
8110093NV 8110264
8110094NV 8110265
8110095NV 8110268
8110096NV 8110269
8110097NV 8110270

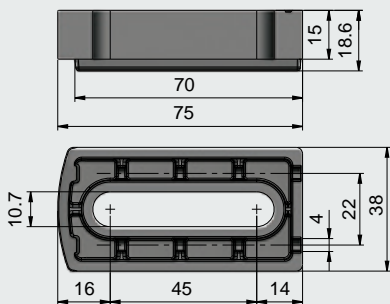
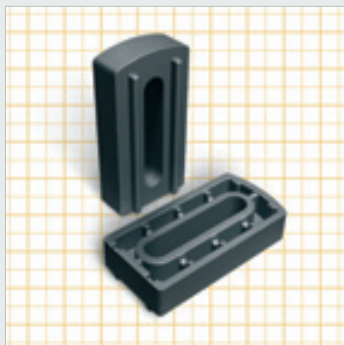


8110030NV 8110272
8110031NV 8110273
8110032NV 8110274
8110033NV 8110276
8110034NV 8110277
8110035NV 8110278

NUEVO DISEÑO
NEW DESIGN
NOUVEAU DESIGN
NEUES DESIGN

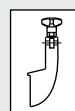
Kg	COD.	
0,03	8190807	50

DISTANCIADOR PARA SOPORTES / SUPPORT SPACER
ENTRETOISE POUR SUPPORTS / ABSTANDSHALTERUNG

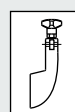


M Poliamida reforzada. Reinforced polyamide.
 Polyamide renforcé. Verstärktes Polyamid.

SOPORTES A UTILIZAR / SUPPORTS TO USE /
POUR SUPPORTS / GEBRAUCHSHALTERUNGEN



8110092NV 8110263
8110093NV 8110264
8110094NV 8110265
8110095NV 8110268
8110096NV 8110269
8110097NV 8110270

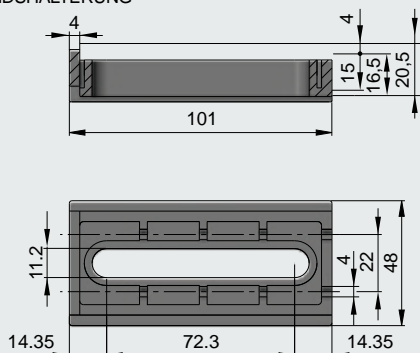


8110030NV 8110272
8110031NV 8110273
8110032NV 8110274
8110033NV 8110276
8110034NV 8110277
8110035NV 8110278

NUEVO PRODUCTO
NEW PRODUCT
NOUVEAU PRODUIT
NEUES PRODUKT

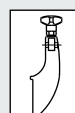
Kg	COD.	
0,03	8190808	50

DISTANCIADOR PARA SOPORTES / SUPPORT SPACER
ENTRETOISE POUR SUPPORTS / ABSTANDSHALTERUNG

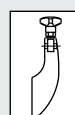


M Poliamida reforzada. Reinforced polyamide.
 Polyamide renforcé. Verstärktes Polyamid.

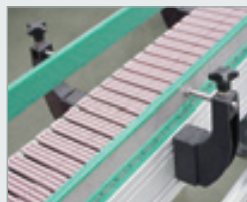
SOPORTES A UTILIZAR / SUPPORTS TO USE /
POUR SUPPORTS / GEBRAUCHSHALTERUNGEN



8110024
8110025
8110026
8110027
8110028
8110029

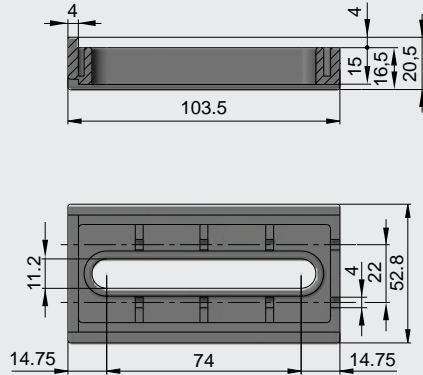


8110018
8110019
8110020
8110021
8110022
8110023



Kg	COD.	
0,06	8190810	25

DISTANCIADOR PARA SOPORTES / SUPPORT SPACER
ENTRETOISE POUR SUPPORTS / ABSTANDSHALTERUNG



M Poliamida reforzada. Reinforced polyamide.
 Polyamide renforcé. Verstärktes Polyamid.

SOPORTES A UTILIZAR / SUPPORTS TO USE /
POUR SUPPORTS / GEBRAUCHSHALTERUNGEN

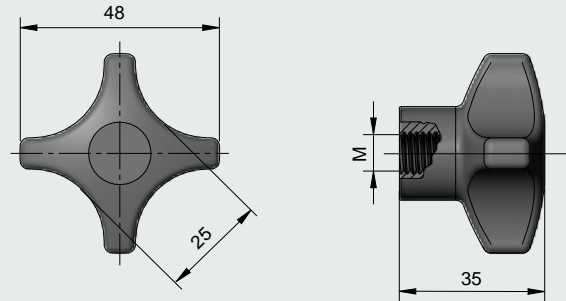
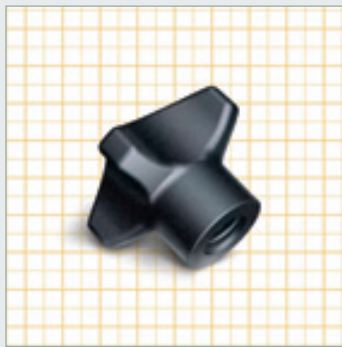


8115036	8115042	8115048	8115055	8115176
8115037	8115043	8115049	8115056	8115178
8115038	8115044	8115051	8115160	
8115039	8115045	8115052	8115161	
8115040	8115046	8115053	8115163	
8115041	8115047	8115054	8115175	



8115057	8115063	8115069	8115075	8115191
8115058	8115064	8115070	8115076	8115193
8115059	8115065	8115071	8115185	
8115060	8115066	8115072	8115186	
8115061	8115067	8115073	8115187	
8115062	8115068	8115074	8115190	

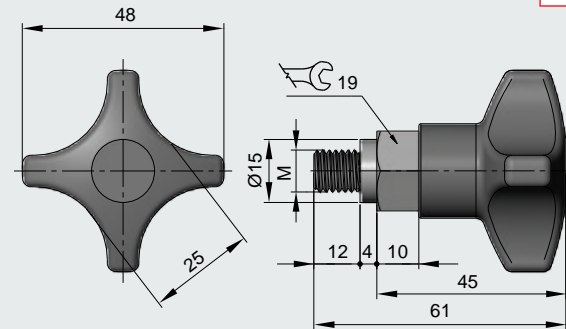
Kg	COD.	
0,06	8190815	25



M Poliamida reforzada.
 Reinforced polyamide.
 Polyamide renforcé.

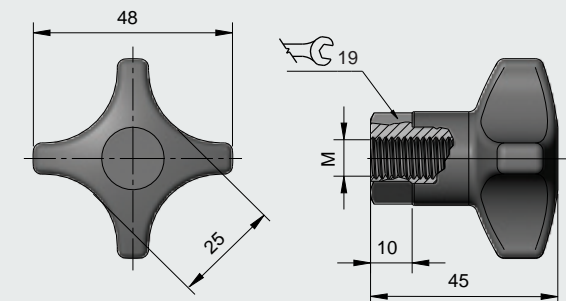
**NUOVO PRODOTTO
NEW PRODUCT
NOUVEAU PRODUIT
NEUES PRODUKT**

M	Kg	COD.	
M8	0,02	8120562	75
M10	0,02	8120563	
M12	0,02	8120564	



M Poliamida reforzada, insertos roscados en latón niquelado.
 Reinforced polyamide, bushings in nickel plated brass.
 Polyamide renforcé, inserts vissés en laiton nickelé.
 Aus verstärktem Polyamid, Gewindestift aus vernickeltem Messing.

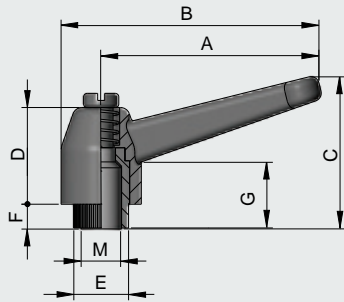
M	Kg	COD.	
M8	0,10	8120570	75
M10	0,10	8120571	



M Poliamida reforzada, insertos roscados en latón niquelado.
 Reinforced polyamide, bushings in nickel plated brass.
 Polyamide renforcé, inserts vissés en laiton nickelé.
 Aus verstärktem Polyamid, Gewindestift aus vernickeltem Messing.

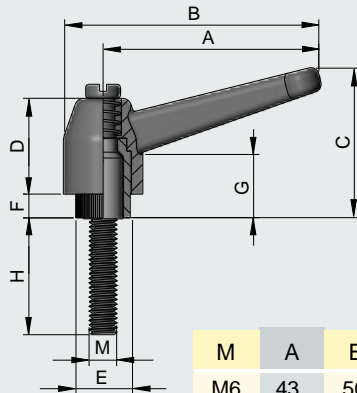
M	Kg	COD.	
M6	0,09	8120575	75
M8	0,09	8120576	
M10	0,08	8120577	

B



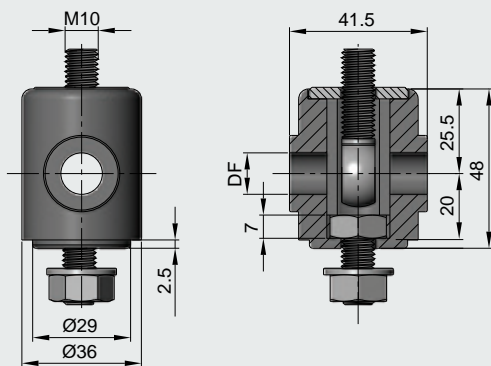
- M** Poliamida reforzada, eje acero zincado.
 Reinforced Polyamide, bushings in zinc plated steel.
 Polyamide renforcé + inserts vissés acier zingué.
 Aus verstärktem Polyamid, Gewindebuchse aus vernickeltem Stahl.

M	A	B	C	D	E	F	G	Kg	COD.	
M6	43	50	35	21	12	6	13	0,02	8120705	200
M8	65	73	46	26,5	15	8	17	0,02	8120706	100
M10	83	93	57	33,5	19	10	22	0,02	8120707	50
M12	104	120	69	40	25	11	24	0,03	8120708	25



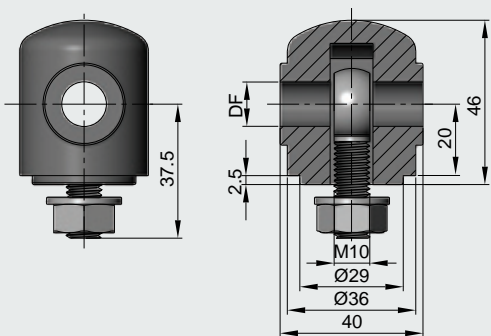
- M** Poliamida reforzada, eje acero zincado.
 Reinforced Polyamide, pin in zinc plated steel.
 Polyamide renforcé + inserts vissés acier zingué.
 Aus verstärktem Polyamid, Gewindestift aus vernickeltem Stahl.

M	A	B	C	D	E	F	G	H	Kg	COD.	
M6	43	50	35	21	12	6	13	25	0,08	8120691	200
M8	65	73	46	26,5	15	8	17	16	0,08	8120697	75
M8	65	73	46	26,5	15	8	17	30	0,08	8120692	75
M8	65	77	46	26,5	15	8	17	60	0,09	8120696	25
M10	83	93	57	33,5	19	10	22	40	0,09	8120693	50
M12	104	120	69	40	25	11	24	60	0,10	8120694	25



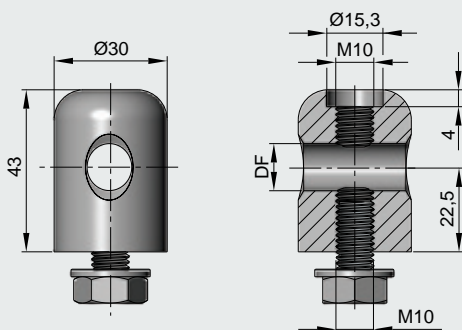
M Poliamida reforzada, tirante y arandela, Acero Inox. Reinforced Polyamide, eyebolt and fastener in stainless steel. Polyamide renforcé, entretoise et rondelle en acier inox. Aus verstärktem Polyamid, Verschraubung aus Edelstahl 1.4301.

DF	Mat.	Kg	COD.	
12,5	POLIAMIDA REFORZADA	0,08	8120107	25
14,5	REINFORCED POLYAMIDE	0,08	8120108	
16,5	PA RENFORÇÉ PA	0,08	8120109	



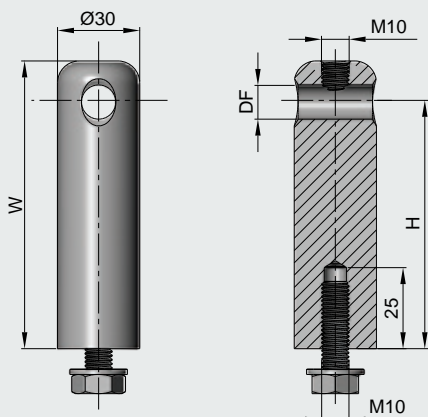
M Poliamida reforzada, tirante y arandela, Acero Inox. Reinforced Polyamide, eyebolt and fastener in stainless steel. Polyamide renforcé, entretoise et rondelle en acier inox. Aus verstärktem Polyamid, Verschraubung aus Edelstahl 1.4301.

DF	Mat.	Kg	COD.	
12,5	POLIAMIDA REFORZADA	0,08	8120101	25
14,5	REINFORCED POLYAMIDE	0,08	8120102	
16,5	PA RENFORÇÉ PA	0,08	8120103	



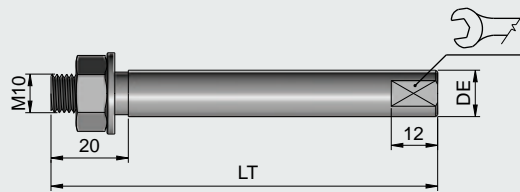
M Tornillería, Acero Inox, Cuerpos s / tabla. Fastener in stainless steel, head as in the table. Visserie acier inox, tête suivant table. Verschraubung aus Edelstahl 1.4301, Schwenkkopf siehe Tabelle

DF	Mat.	Kg	COD.	
12,5	LATON NIQUELADO	0,18	8120122	25
14,5	NICKEL PLATED BRASS	0,18	8120123	
16,5	LAITON NICKELÉ	0,18	8120124	
12,5	ACERO INOXIDABLE	0,18	8120129	25
14,5	STAINLESS STEEL	0,17	8120130	
16,5	ACIER INOX EDELSTAHL	0,17	8120131	



M Tornillería, Acero Inox, Cuerpos s / tabla. Fastener in stainless steel, head as in the table. Visserie acier inox, tête suivant table. Verschraubung aus Edelstahl 1.4301, Schwenkkopf siehe Tabelle

DF	Mat.	H	W	Kg	COD.	
12,5	ACERO INOXIDABLE STAINLESS STEEL	40	55	0,28	8120301	20
		60	75	0,38	8120302	
		90	105	0,55	8120303	
		130	145	0,77	8120304	
14,5	ACIER INOX EDELSTAHL	40	56	0,28	8120307	20
		60	76	0,38	8120308	
		90	106	0,55	8120309	
16,5	ACIER INOX EDELSTAHL	40	57	0,28	8120315	20
		60	77	0,38	8120316	
		90	107	0,55	8120317	
		130	147	0,77	8120318	

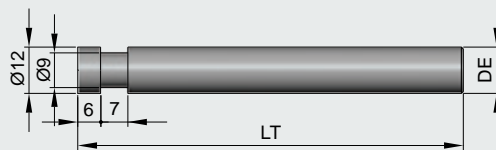


USO BRIDAS / FOR CLAMPS
POUR SUPPORTS / FÜR KLEMMEN

8210134 - 8210212 - 8210525 - 8210270 - 8210277

M Acero inoxidable, tuerca, Acero Inox.
 Stainless steel, nut in Stainless steel.
 Axe inoxidable + écrou Axe inoxidabl.
 Edelstahl, Mutter aus Edelstahl.

DE		LT	Kg	COD.	
12	10	100	0,09	8220301	100
12	10	118	0,11	8220321	50
12	10	150	0,13	8220322	50
14	12	100	0,12	8220302	75
15	12	100	0,14	8220303	50
16	14	100	0,16	8220304	50

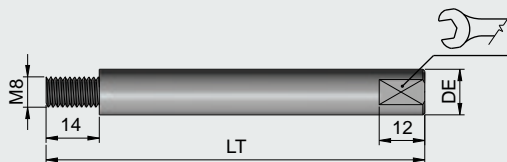


USO BRIDAS / FOR CLAMPS
POUR SUPPORTS / FÜR KLEMMEN

8210038 - 8210039 - 8210040 - 8210071 - 8210072
8210073 - 8210112 - 8210155 - 8210142 - 8210161
8210317 - 8210184

M Acero inoxidable.
 Stainless steel.
 Acier inoxidable.
 Edelstahl.

DE	LT	Kg	COD.	
12	100	0,09	8220335	100
12	150	0,13	8220380	50
14	100	0,12	8220336	75
15	100	0,14	8220337	50
16	100	0,16	8220338	50

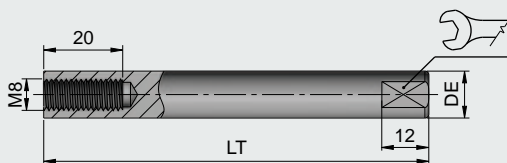


USO BRIDAS / FOR CLAMPS
POUR SUPPORTS / FÜR KLEMMEN

8210014 - 8210015 - 8210016 - 8210050 - 8210051
8210052 - 8210121 - 8210151 - 8210138 - 8210157
8210109 - 8210095

M Acero inoxidable.
 Stainless steel.
 Acier inoxidable.
 Edelstahl.

DE		LT	Kg	COD.	
10	8	70	0,04	8222780	200
10	8	110	0,07	8222790	100
12	10	100	0,09	8220339	100
12	10	150	0,14	8220385	75
14	12	100	0,12	8220340	75
15	12	100	0,14	8220341	50
16	14	100	0,16	8220342	50



USO BRIDAS / FOR CLAMPS
POUR SUPPORTS / FÜR KLEMMEN

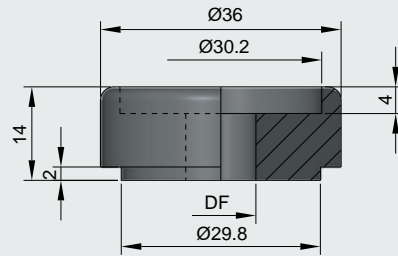
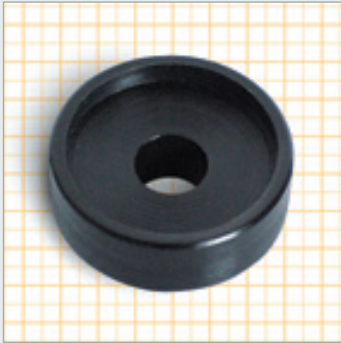
8210026 - 8210027 - 8210028 - 8210074 - 8210075
8210076 - 8210125 - 8210129 - 8210146 - 8210165
8210097 - 8210239

M Acero inoxidable.
 Stainless steel.
 Acier inoxidable.
 Edelstahl.

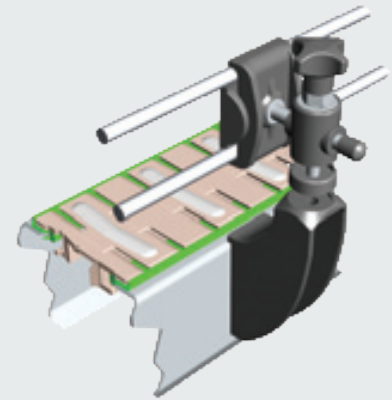
DE		LT	Kg	COD.	
12	10	100	0,09	8220343	100
14	12	100	0,12	8220344	75
15	12	100	0,14	8220345	50
16	14	100	0,16	8220346	50

B

B



M Poliamida reforzada. / Reinforced polyamide.
 Polyamide renforcé. / Verstärktes Polyamid.

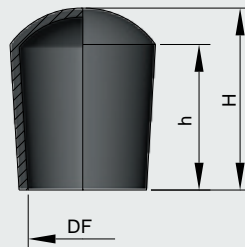


DF	Kg	COD.	
10,5	0,01	8120085	200

EJES PARA BARANDILLAS / ADJUSTING RODS

AXES POUR BRIDES / EINSTELLBARE BOLZEN

TAPÓN DE SEGURIDAD / SAFETY CAP / BOUCHON DE SÛRETÉ / SICHERHEIT STOPFEN

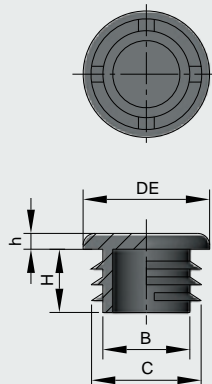


M PVC. Flexible. Color negro.
 Flexible PVC. Black colour.
 PVC. Flexible. Couleur noir.
 Flexibles PVC. Schwarz.

DF	h	H	Kg	COD.	
10	15	18	0,01	7640174	400
12	16	20	0,01	7640176	
15	17	21	0,01	7640179	
16	18	23	0,01	7640180	
20	20	24,5	0,01	7640183	200

*Eje no incluido *Spindle not included *Axe pas compris *Achse nicht beigefügt

TAPÓN EMBELLECEDOR / STRIP TUBE / EMBOUT DE FINITION / VERSCHÖNERUNGS-STOPFEN

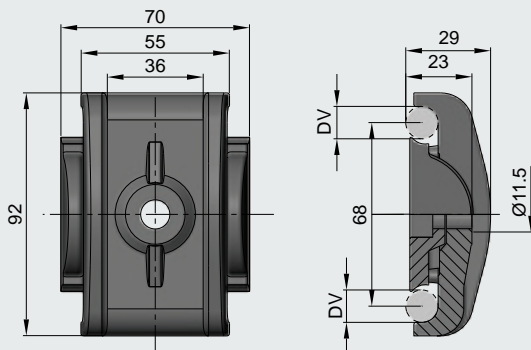
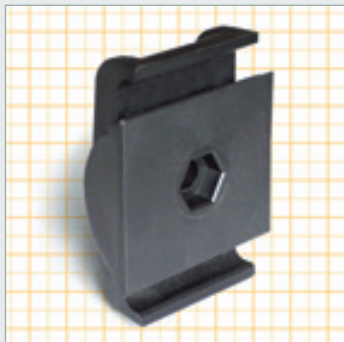


M Polietileno Color negro.
 Polyethylene black colour.
 Polyéthylène couleur noir.
 Polyäthylen schwarz.

Pared tubo / Wall-tube thickness / Épaisseur du tube / Röhre wand Dicke	DE	h	H	B	C	Kg	COD.	
1 - 1,5	10	2	5,5	5,5	9	0,01	7640149	400
1 - 1,5	12	2	7	7	10	0,01	7640152	200
1 - 1,5	14	2	9	9	12,5	0,01	7640154	200
1 - 1,5	16	2	11	11	14	0,01	7640146	200
1 - 1,5 - 2	18	2	12	12	15,5	0,01	7640147	200
1 - 1,5 - 2	20	2	15	15	18	0,01	7640148	200
1 - 1,5 - 2	38	4	32	32	37	0,01	7640157	50
1,6 - 2	48	6	42	42	46	0,01	7640160	50
1 - 1,5 - 2	50	6	44	44	49	0,01	7640162	50
1,6 - 2	60	6	54	54	58	0,02	7640163	50

B

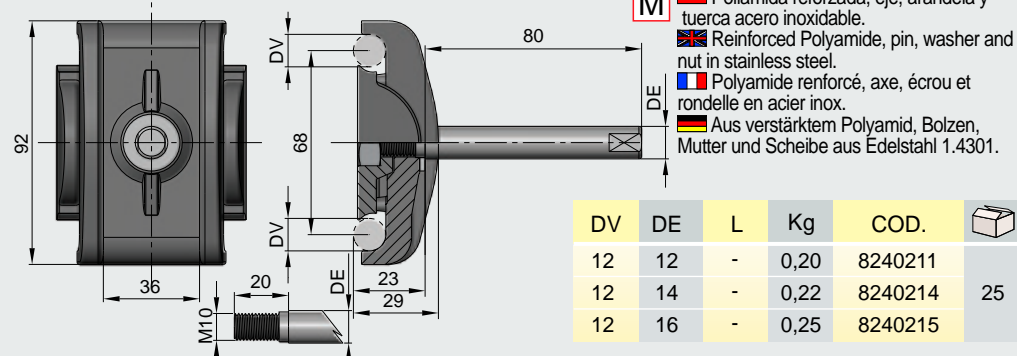
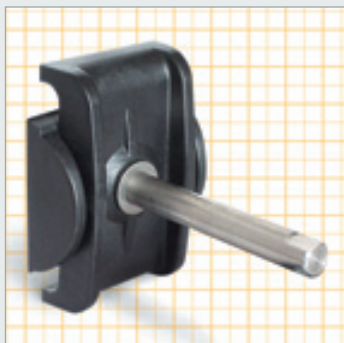
BRIDA DOBLE / DOUBLE CLAMP / BRIDE DOUBLE / DOPPELKLEMME



- M** Poliamida reforzada.
 Reinforce Polyamide.
 Polyamide Renforcé.
 Aus verstärktem Polyamid.

DV	DE	L	Kg	COD.	
12	-	-	0,11	8210212	25

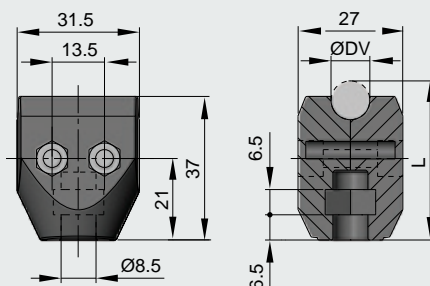
BRIDA DOBLE CON EJE / DOUBLE CLAMP WITH ROD / BRIDE DOUBLE AVEC AXE / DOPPELKLEMME MIT BOLZEN



- M** Poliamida reforzada, eje, arandela y tuerca acero inoxidable.
 Reinforced Polyamide, pin, washer and nut in stainless steel.
 Polyamide renforcé, axe, écrou et rondelle en acier inox.
 Aus verstärktem Polyamid, Bolzen, Mutter und Scheibe aus Edelstahl 1.4301.

DV	DE	L	Kg	COD.	
12	12	-	0,20	8240211	25
12	14	-	0,22	8240214	
12	16	-	0,25	8240215	

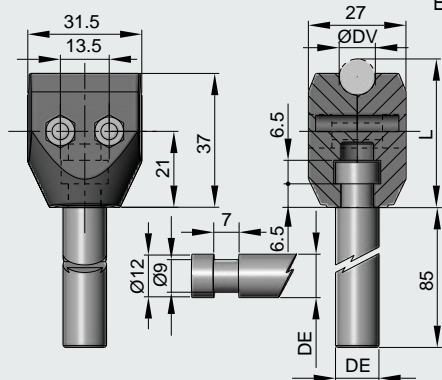
BRIDA SIMPLE / SINGLE CLAMP / BRIDE SIMPLE / EINFACHKLEMME



- M** Poliamida reforzada, tornillería Acero Inoxidable.
 Reinforced Polyamide, fastener in stainless steel.
 Polyamide Renforcé + Visserie acier inox.
 Aus verstärktem Polyamid, Verschraubungen aus Edelstahl 1.4301.

DV	DE	L	Kg	COD.	
8	-	40	0,03	8210038	100
10	-	41	0,04	8210039	
12	-	42	0,04	8210040	
14	-	42	0,04	8210317	

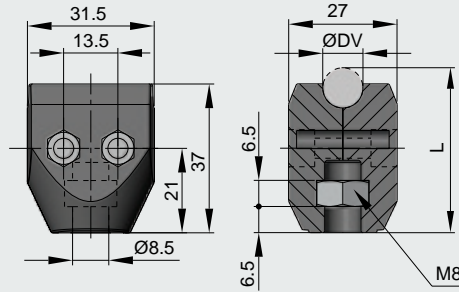
BRIDA SIMPLE CON EJE / SINGLE CLAMP WITH ROD BRIDE SIMPLE AVEC AXE / EINFACHKLEMME MIT BOLZEN



- M** Poliamida reforzada, eje y tornillería Acero Inoxidable.
 Reinforced Polyamide, pin and fastener in stainless steel.
 Polyamide Renforcé + axe et Visserie acier inox.
 Aus verstärktem Polyamid, Bolzen und Verschraubungen aus Edelstahl 1.4301.

DV	DE	L	Kg	COD.	
8	12	40	0,14	8240041	50
	14	40	0,17	8240042	
	16	40	0,20	8240043	
10	12	41	0,14	8240044	50
	14	41	0,17	8240045	
	16	41	0,20	8240046	
12	12	42	0,14	8240047	50
	14	42	0,17	8240048	
	16	42	0,20	8240049	
14	12	42	0,14	8240231	50
	14	42	0,17	8240232	
	16	42	0,20	8240233	

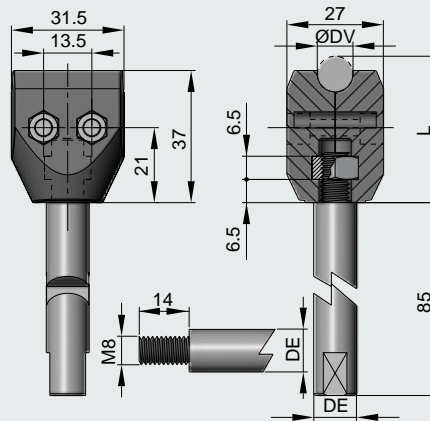
BRIDA SIMPLE / SINGLE CLAMP / BRIDE SIMPLE / EINFACHKLEMME MIT MUTTER M8



M Poliamida reforzada, tornillería Acero Inoxidable. Reinforced Polyamide, fastener in stainless steel. Polyamide Renforcé + Visserie acier inox. Aus verstärktem Polyamid, Bolzen, Scheibe und Verschraubungen aus Edelstahl 1.4301.

DV	DE	L	Kg	COD.	
8	-	40	0,04	8210014	100
10	-	41	0,04	8210015	
12	-	42	0,04	8210016	
14	-	42	0,04	8210095	

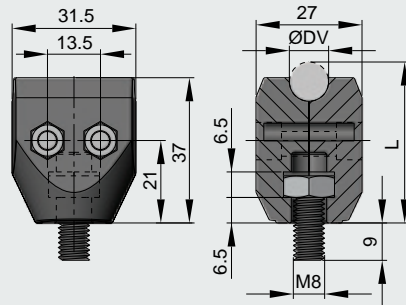
BRIDA SIMPLE CON EJE / SINGLE CLAMP WITH ROD
BRIDE SIMPLE AVEC AXE / EINFACHKLEMME MIT BOLZEN



M Poliamida reforzada, eje y tornillería Acero Inoxidable. Reinforced Polyamide, pin and fastener in stainless steel. Polyamide Renforcé + axe et Visserie acier inox. Aus verstärktem Polyamid, Verschraubungen aus Edelstahl 1.4301.

DV	DE	L	Kg	COD.	
8	12	40	0,11	8240017	50
	14	40	0,14	8240018	
	16	40	0,17	8240019	
10	12	41	0,11	8240020	50
	14	41	0,14	8240021	
	16	41	0,17	8240022	
12	12	42	0,11	8240023	50
	14	42	0,14	8240024	
	16	42	0,17	8240025	
14	12	42	0,11	8240088	50
	14	42	0,14	8240089	
	16	42	0,17	8240090	

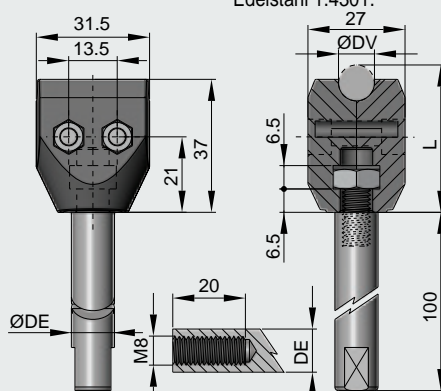
BRIDA SIMPLE / SINGLE CLAMP / BRIDE SIMPLE / EINFACHKLEMME MIT GEWINDESTIFT M8



M Poliamida reforzada, tornillería Acero Inoxidable. Reinforced Polyamide, fastener in stainless steel. Polyamide Renforcé + Visserie acier inox. Aus verstärktem Polyamid, Verschraubungen aus Edelstahl 1.4301.

DV	DE	L	Kg	COD.	
8	-	40	0,03	8210026	100
10	-	41	0,04	8210027	
12	-	42	0,04	8210028	
14	-	42	0,04	8210097	

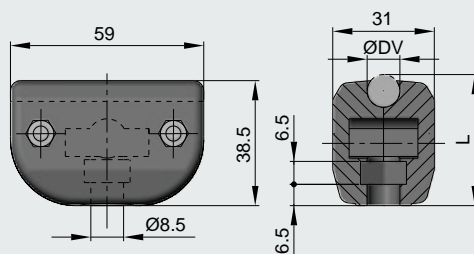
BRIDA SIMPLE CON EJE / SINGLE CLAMP WITH ROD
BRIDE SIMPLE AVEC AXE / EINFACHKLEMME MIT BOLZEN



M Poliamida reforzada, eje y tornillería Acero Inoxidable. / Reinforced Polyamide, pin and fastener in stainless steel. / Polyamide Renforcé + axe et Visserie acier inox. / Aus verstärktem Polyamid, Bolzen, Scheibe und Verschraubungen aus Edelstahl 1.4301.

DV	DE	L	Kg	COD.	
8	12	40	0,11	8240029	50
	14	40	0,14	8240030	
	16	40	0,17	8240031	
10	12	41	0,11	8240032	50
	14	41	0,14	8240033	
	16	41	0,17	8240034	
12	12	42	0,11	8240035	50
	14	42	0,14	8240036	
	16	42	0,17	8240037	
14	12	42	0,11	8240091	50
	14	42	0,14	8240092	
	16	42	0,17	8240093	

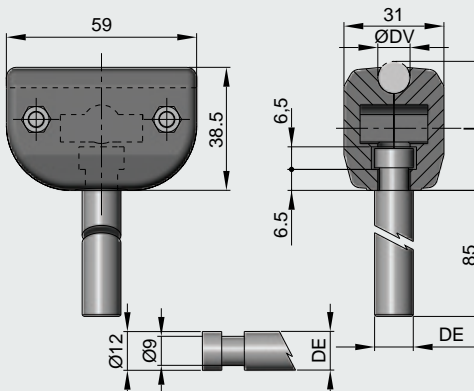
BRIDA SIMPLE / SINGLE CLAMP / BRIDE SIMPLE / EINFACHKLEMME



M Poliamida reforzada, tornillería Acero Inoxidable. Reinforced Polyamide, fastener in stainless steel. Polyamide Renforcé + Visserie acier inox. Aus verstärktem Polyamid, Verschraubungen aus Edelstahl 1.4301.

DV	DE	L	Kg	COD.	
8	-	41	0,07	8210071	50
10	-	42	0,07	8210072	
12	-	43	0,07	8210073	
14	-	44	0,07	8210184	

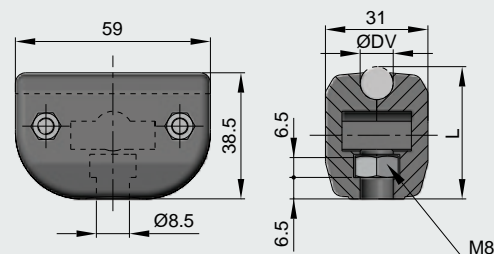
BRIDA SIMPLE CON EJE / SINGLE CLAMP WITH ROD
BRIDE SIMPLE AVEC AXE / EINFACHKLEMME MIT BOLZEN



M Poliamida reforzada, eje y tornillería Acero Inoxidable. Reinforced Polyamide, pin and fastener in stainless steel. Polyamide Renforcé + axe et Visserie acier inox. Aus verstärktem Polyamid, Bolzen, und Verschraubungen aus Edelstahl 1.4301.

DV	DE	L	Kg	COD.	
8	12	41	0,15	8240062	30
	14	41	0,18	8240063	
	16	41	0,21	8240064	
10	12	42	0,15	8240065	30
	14	42	0,18	8240066	
	16	42	0,21	8240067	
12	12	43	0,15	8240068	30
	14	43	0,18	8240069	
	16	43	0,21	8240070	
14	12	43	0,15	8240191	30
	14	43	0,18	8240192	
	16	43	0,21	8240193	

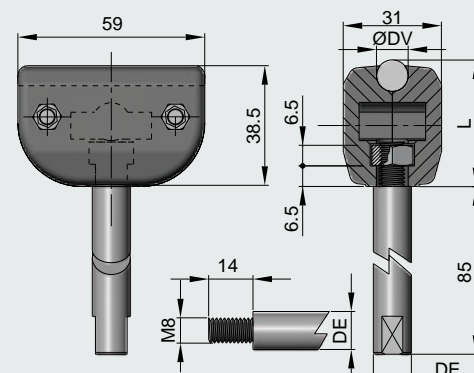
BRIDA SIMPLE / SINGLE CLAMP / BRIDE SIMPLE / EINFACHKLEMME MIT MUTTER M8



M Poliamida reforzada, tornillería Acero Inoxidable. Reinforced Polyamide, fastener in stainless steel. Polyamide Renforcé + Visserie acier inox. Aus verstärktem Polyamid, Verschraubungen aus Edelstahl 1.4301.

DV	DE	L	Kg	COD.	
8	-	41	0,07	8210050	50
10	-	42	0,07	8210051	
12	-	43	0,07	8210052	
14	-	43	0,07	8210109	

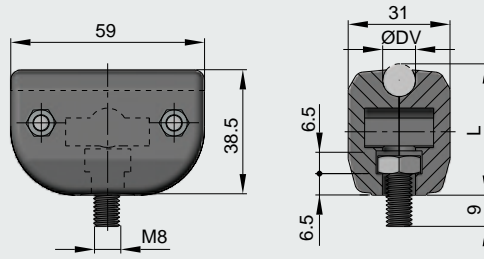
BRIDA SIMPLE CON EJE / SINGLE CLAMP WITH ROD
BRIDE SIMPLE AVEC AXE / EINFACHKLEMME MIT BOLZEN



M Poliamida reforzada, eje y tornillería Acero Inoxidable. Reinforced Polyamide, pin and fastener in stainless steel. Polyamide Renforcé + axe et Visserie acier inox. Aus verstärktem Polyamid, Bolzen, Scheibe und Verschraubungen aus Edelstahl 1.4301.

DV	DE	L	Kg	COD.	
8	12	41	0,15	8240053	30
	14	41	0,18	8240054	
	16	41	0,21	8240055	
10	12	42	0,15	8240056	30
	14	42	0,18	8240057	
	16	42	0,21	8240058	
12	12	43	0,15	8240059	30
	14	43	0,18	8240060	
	16	43	0,21	8240061	
14	12	43	0,15	8240170	30
	14	43	0,18	8240171	
	16	43	0,21	8240172	

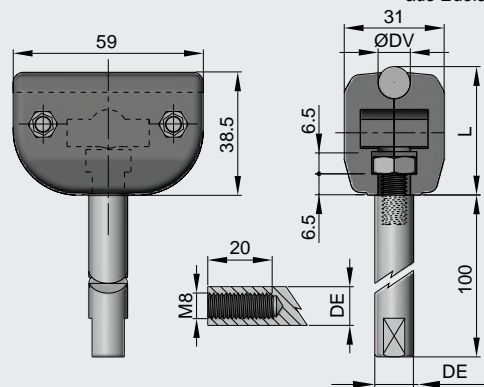
BRIDA SIMPLE / SINGLE CLAMP / BRIDE SIMPLE / EINFACHKLEMME MIT GEWINDESTIFT M8



M Poliamida reforzada, tornillería Acero Inoxidable.
 Reinforced Polyamide, fastener in stainless steel.
 Polyamide Renforcé + Visserie acier inox.
 Aus verstärktem Polyamid, Verschraubungen aus Edelstahl 1.4301.

DV	DE	L	Kg	COD.	
8	-	41	0,07	8210074	50
10	-	42	0,07	8210075	
12	-	43	0,07	8210076	
14	-	43	0,07	8210239	

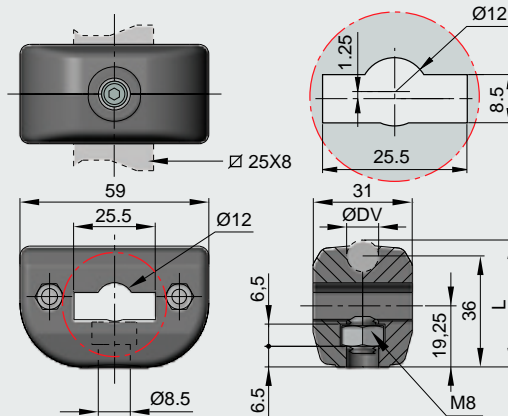
BRIDA SIMPLE CON EJE / SINGLE CLAMP WITH ROD
 BRIDE SIMPLE AVEC AXE / EINFACHKLEMME MIT BOLZEN



M Poliamida reforzada, eje y tornillería Acero Inoxidable.
 Reinforced Polyamide, pin and fastener in stainless steel.
 Polyamide Renforcé + axe et Visserie acier inox.
 Aus verstärktem Polyamid, Bolzen, Scheibe und Verschraubungen aus Edelstahl 1.4301.

DV	DE	L	Kg	COD.	
8	12	41	0,15	8240077	30
	14	41	0,18	8240078	
	16	41	0,21	8240079	
10	12	42	0,15	8240080	30
	14	42	0,18	8240081	
	16	42	0,21	8240082	
12	12	43	0,15	8240083	30
	14	43	0,18	8240084	
	16	43	0,21	8240085	
14	12	43	0,15	8240251	30
	14	43	0,18	8240252	
	16	43	0,21	8240253	

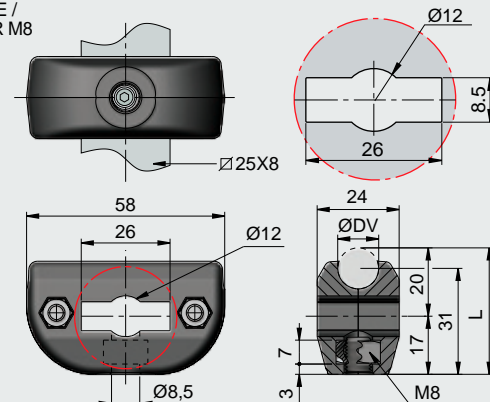
BRIDA SIMPLE / SINGLE CLAMP / BRIDE
 EINSTELLBARE EINFACHKLEMME MIT M



M Poliamida reforzada, tornillería Acero Inoxidable.
 Reinforced Polyamide, fastener in stainless steel.
 Polyamide Renforcé + Visserie acier inox.
 Aus verstärktem Polyamid, Verschraubungen aus Edelstahl 1.4301.

DV	DE	L	Kg	COD.	
8	-	41	0,06	8210086	50
10	-	42	0,06	8210087	
12	-	43	0,06	8210088	
14	-	43	0,06	8210261	

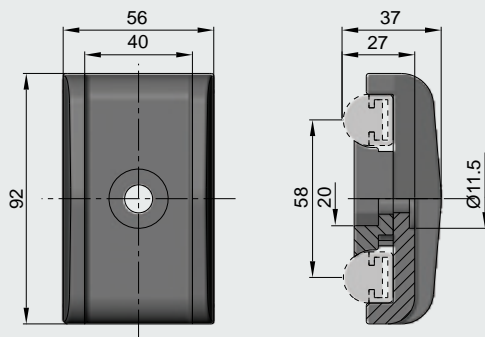
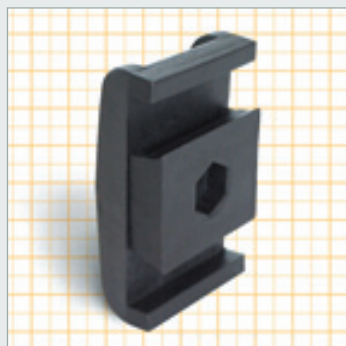
BRIDA SIMPLE / SINGLE CLAMP / BRIDE SIMPLE /
 EINSTELLBARE EINFACHKLEMME MIT MUTTER M8



M Poliamida reforzada, tornillería Acero Inoxidable.
 Reinforced Polyamide, fastener in stainless steel.
 Polyamide Renforcé + Visserie acier inox.
 Aus verstärktem Polyamid, Verschraubungen aus Edelstahl 1.4301.

DV	DE	L	Kg	COD.	
12	-	37	0,05	8210450	80
14	-	38	0,05	8210456	

BRIDA DOBLE / DOUBLE CLAMP / BRIDE DOUBLE / DOPPELKLEMME

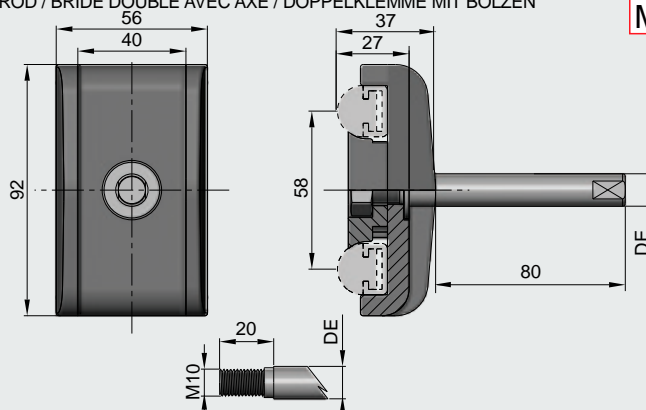


- M** Poliamida reforzada.
 Reinforced Polyamide.
 Polyamide Renforcé.
 Aus verstärktem Polyamid.



DE	Kg	COD.	
-	0,10	8210525	25

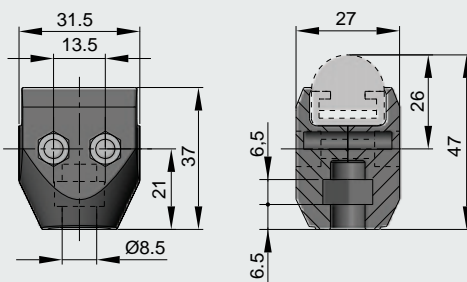
BRIDA DOBLE CON EJE / DOUBLE CLAMP WITH ROD / BRIDE DOUBLE AVEC AXE / DOPPELKLEMME MIT BOLZEN



- M** Poliamida reforzada, eje, arandela y tuerca acero inoxidable.
 Reinforced Polyamide, pin, washer and nut in stainless steel.
 Polyamide renforcé, axe, écrou et rondelle en acier inox.
 Aus verstärktem Polyamid, Bolzen, Mutter und Scheibe aus Edelstahl 1.4301.

DE	Kg	COD.	
12	0,18	8240118	25
14	0,20	8240119	
16	0,21	8240120	

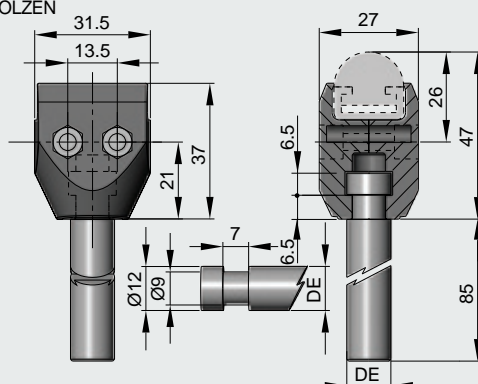
BRIDA SIMPLE / SINGLE CLAMP / BRIDE SIMPLE / EINFACHKLEMME



- M** Poliamida reforzada, tornillería Acero Inoxidable.
 Reinforced Polyamide, fastener in stainless steel.
 Polyamide Renforcé + Visserie acier inox.
 Aus verstärktem Polyamid, Verschraubungen aus Edelstahl 1.4301.

DE	Kg	COD.	
-	0,03	8210112	100

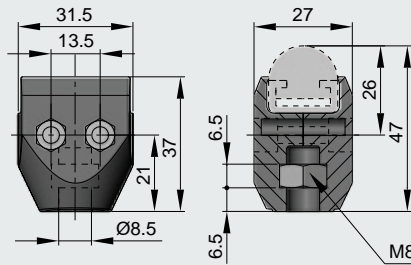
BRIDA SIMPLE CON EJE / SINGLE CLAMP WITH ROD
 BRIDE SIMPLE AVEC AXE / EINFACHKLEMME MIT BOLZEN



- M** Poliamida reforzada, eje y tornillería Acero Inoxidable.
 Reinforced Polyamide, pin and fastener in stainless steel.
 Polyamide Renforcé + axe et Visserie acier inox.
 Aus verstärktem Polyamid, Bolzen und Verschraubungen aus Edelstahl 1.4301.

DE	Kg	COD.	
12	0,11	8240114	50
14	0,13	8240115	
16	0,15	8240116	

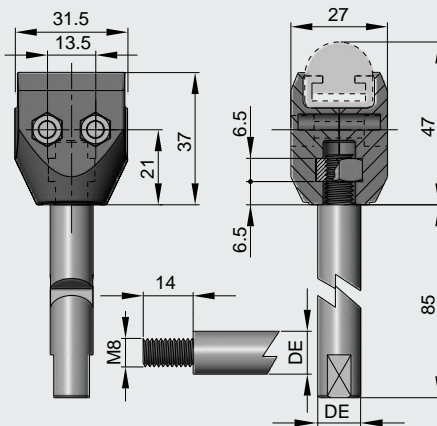
BRIDA SIMPLE / SINGLE CLAMP / BRIDE SIMPLE / EINFACHKLEMME MIT MUTTER M8



- M** Poliamida reforzada, tornillería Acero Inoxidable.
 Reinforced Polyamide, fastener in stainless steel.
 Polyamide Renforcé + Visserie acier inox.
 Aus verstärktem Polyamid, Verschraubungen aus Edelstahl 1.4301.

DE	Kg	COD.	
-	0,03	8210121	100

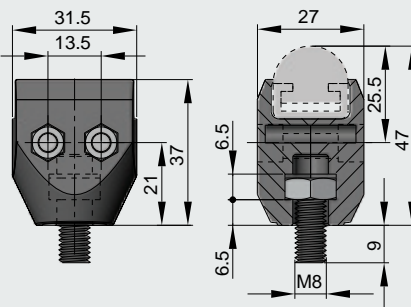
BRIDA SIMPLE CON EJE / SINGLE CLAMP WITH ROD
BRIDE SIMPLE AVEC AXE / EINFACHKLEMME MIT BOLZEN



- M** Poliamida reforzada, eje y tornillería Acero Inoxidable.
 Reinforced Polyamide, pin and astener in stainless steel.
 Polyamide Renforcé + axe et Visserie acier inox.
 Aus verstärktem Polyamid, Bolzen und Verschraubungen aus Edelstahl 1.4301.

DE	Kg	COD.	
12	0,10	8240122	50
14	0,10	8240123	
16	0,11	8240124	

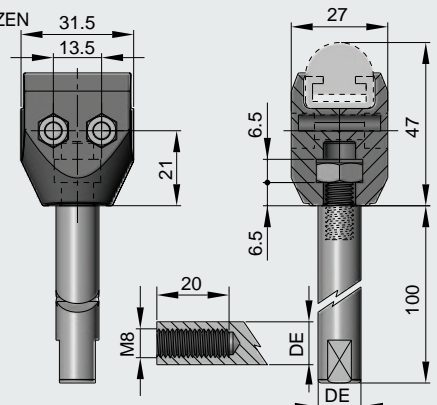
BRIDA SIMPLE / SINGLE CLAMP / BRIDE SIMPLE / EINFACHKLEMME MIT GEWINDESTIFT M8



- M** Poliamida reforzada, tornillería Acero Inoxidable.
 Reinforced Polyamide, fastener in stainless steel.
 Polyamide Renforcé + Visserie acier inox.
 Aus verstärktem Polyamid, Verschraubungen aus Edelstahl 1.4301.

DE	Kg	COD.	
-	0,03	8210125	100

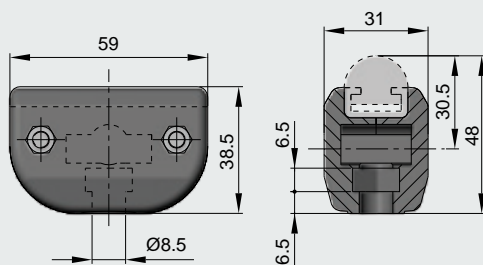
BRIDA SIMPLE CON EJE / SINGLE CLAMP WITH ROD
BRIDE SIMPLE AVEC AXE / EINFACHKLEMME MIT BOLZEN



- M** Poliamida reforzada, eje y tornillería Acero Inoxidable.
 Reinforced Polyamide, pin and astener in stainless steel.
 Polyamide Renforcé + axe et Visserie acier inox.
 Aus verstärktem Polyamid, Bolzen und Verschraubungen aus Edelstahl 1.4301.

DE	Kg	COD.	
12	0,10	8240126	50
14	0,10	8240127	
16	0,11	8240128	

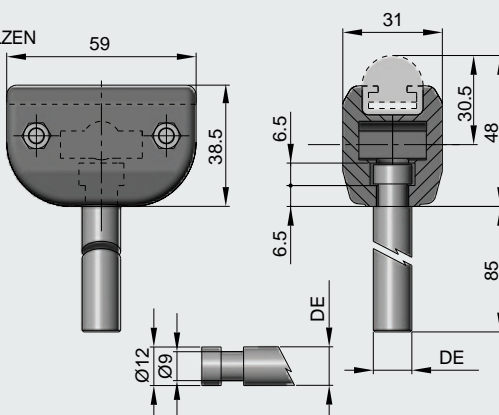
BRIDA SIMPLE / SINGLE CLAMP / BRIDE SIMPLE / EINFACHKLEMMME



M Poliamida reforzada, tornillería Acero Inoxidable.
 Reinforced Polyamide, fastener in stainless steel.
 Polyamide Renforcé + Visserie acier inox.
 Aus verstärktem Polyamid, Verschraubungen aus Edelstahl 1.4301.

DE	Kg	COD.	
-	0,06	8210155	50

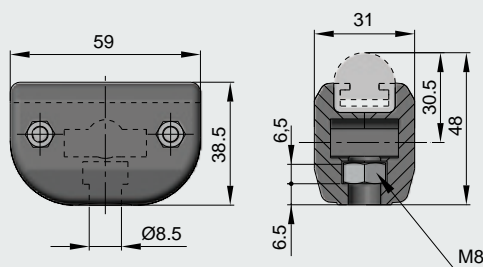
BRIDA SIMPLE CON EJE / SINGLE CLAMP WITH ROD
 BRIDE SIMPLE AVEC AXE / EINFACHKLEMMME MIT BOLZEN



M Poliamida reforzada, eje y tornillería Acero Inoxidable.
 Reinforced Polyamide, pin and astener in stainless steel.
 Polyamide Renforcé + axe et Visserie acier inox.
 Aus verstärktem Polyamid, Bolzen und Verschraubungen aus Edelstahl 1.4301.

DE	Kg	COD.	
12	0,14	8240156	30
14	0,14	8240173	
16	0,15	8240174	

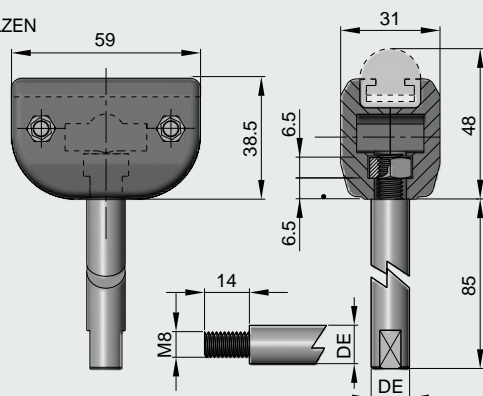
BRIDA SIMPLE / SINGLE CLAMP / BRIDE SIMPLE / EINFACHKLEMMME MIT MUTTER M8



M Poliamida reforzada, tornillería Acero Inoxidable.
 Reinforced Polyamide, fastener in stainless steel.
 Polyamide Renforcé + Visserie acier inox.
 Aus verstärktem Polyamid, Verschraubungen aus Edelstahl 1.4301.

DE	Kg	COD.	
-	0,06	8210151	50

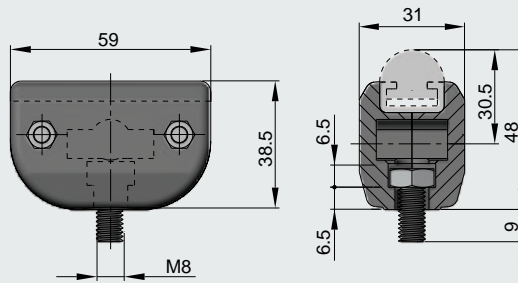
BRIDA SIMPLE CON EJE / SINGLE CLAMP WITH ROD
 BRIDE SIMPLE AVEC AXE / EINFACHKLEMMME MIT BOLZEN



M Poliamida reforzada, eje y tornillería Acero Inoxidable.
 Reinforced Polyamide, pin and astener in stainless steel.
 Polyamide Renforcé + axe et Visserie acier inox.
 Aus verstärktem Polyamid, Bolzen und Verschraubungen aus Edelstahl 1.4301.

DE	Kg	COD.	
12	0,14	8240152	30
14	0,14	8240153	
16	0,15	8240154	

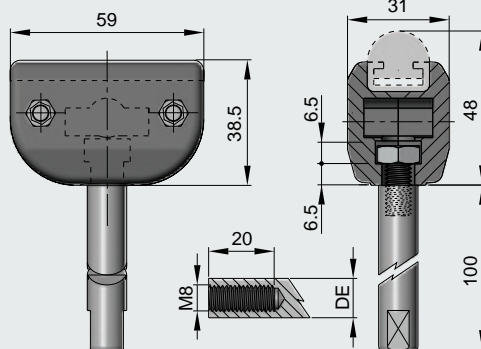
BRIDA SIMPLE / SINGLE CLAMP / BRIDE SIMPLE / EINFACHKLEMME MIT GEWINDESTIFT M8



- M** Poliamida reforzada, tornillería Acero Inoxidable.
 Reinforced Polyamide, fastener in stainless steel.
 Polyamide Renforcé + Visserie acier inox.
 Aus verstärktem Polyamid, Verschraubungen aus Edelstahl 1.4301.

DE	Kg	COD.	
-	0,06	8210129	50

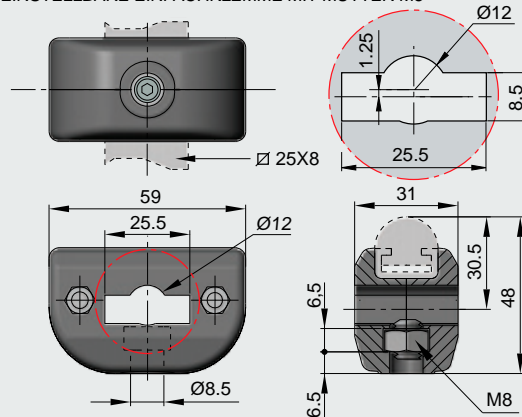
BRIDA SIMPLE CON EJE / SINGLE CLAMP WITH ROD
BRIDE SIMPLE AVEC AXE / EINFACHKLEMME MIT BOLZEN



- M** Poliamida reforzada, eje y tornillería Acero Inoxidable.
 Reinforced Polyamide, pin and astener in stainless steel.
 Polyamide Renforcé + axe et Visserie acier inox.
 Aus verstärktem Polyamid, Bolzen und Verschraubungen aus Edelstahl 1.4301.

DE	Kg	COD.	
12	0,14	8240130	30
14	0,14	8240131	
16	0,13	8240132	

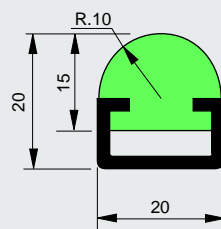
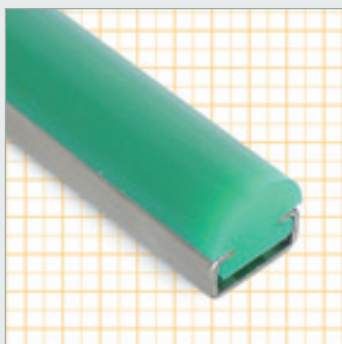
BRIDA SIMPLE / SINGLE CLAMP / BRIDE SIMPLE / EINSTELLBARE EINFACHKLEMME MIT MUTTER M8



- M** Poliamida reforzada, tornillería Acero Inoxidable.
 Reinforced Polyamide, fastener in stainless steel.
 Polyamide Renforcé + Visserie acier inox.
 Aus verstärktem Polyamid, Verschraubungen aus Edelstahl 1.4301.

DE	Kg	COD.	
-	0,06	8210133	50

GUIAS SECCION "MC" / SECTION "MC" GUIDE
GUIDE "MC" / PILZPROFIL MIT C-STAHL



- M** Polietileno, UHMW 1000 "DESLIDUR", guía s / tabla.
 Polyethylene UHMW 1000 "DESLIDUR" guide as in the table.
 Polyéthylène UHMW 1000 "DESLIDUR", profile suivant table.
 Profil aus Polyäthylen UHMW 1000 "DESLIDUR", C-Stahl siehe Tabelle.

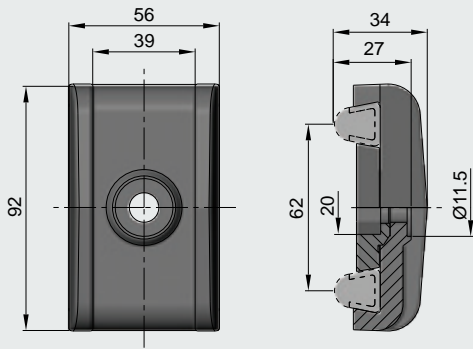
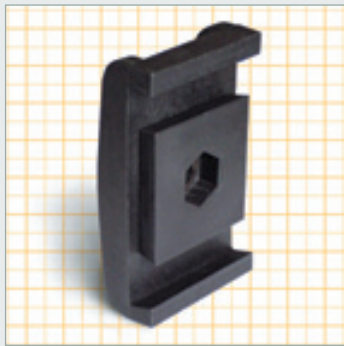
COLOR / COLOUR COULEUR / FARBE	GUIA / GUIDE STAHL- PROFIL	L	Kg/m	COD
Verde / Green / Vert / Grün	-	50	0,21	P20350
Negro / Black / Noir / Schwarz	-	50	0,21	P30350
Verde / Green / Vert / Grün	C 2010 SS	2	0,70	PSS20350L2
		3		PSS20350L3
Verde / Green / Vert / Grün	C 2010	2	0,70	PZN20350L2
		3		PZN20350L3
Negro / Black / Noir / Schwarz	C 2010 SS	2	0,70	PSS30350L2
		3		PSS30350L3
Negro / Black / Noir / Schwarz	C 2010	2	0,70	PZN30350L2
		3		PZN30350L3

BRIDAS PARA PERFIL CONICO / CLAMPS FOR CONICAL SIDE GUIDES

BRIDES POUR PROFIL CONIQUE / KLEMMEN FÜR KONISCHE PROFILE

B

BRIDA DOBLE / DOUBLE CLAMP / BRIDE DOUBLE / DOPPELKLEMME

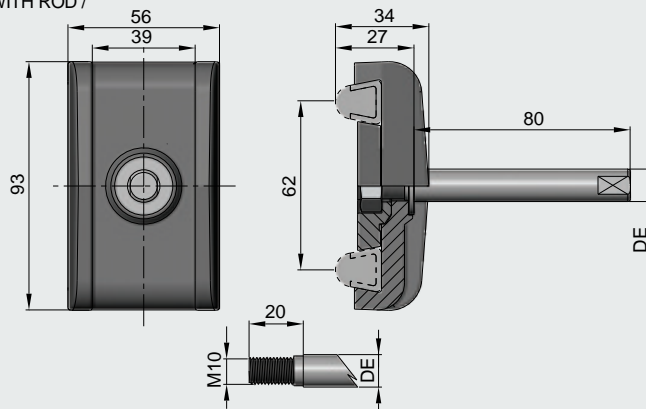


- M** Poliamida reforzada.
 Reinforced Polyamide.
 Polyamide Renforcé.
 Aus verstärktem Polyamid.



DE	Kg	COD.	
-	0,09	8210134	25

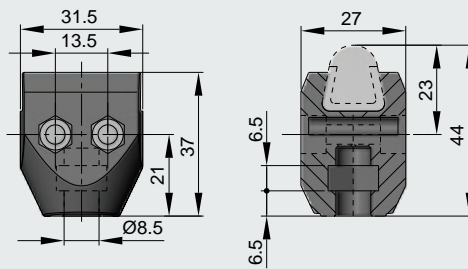
BRIDA DOBLE CON EJE / DOUBLE CLAMP WITH ROD / BRIDE DOUBLE AVEC AXE / DOPPELKLEMME MIT BOLZEN



- M** Poliamida reforzada, eje, arandela y tuerca acero inoxidable.
 Reinforced Polyamide, pin, washer and nut in stainless steel.
 Polyamide renforcé, axe, écrou et rondelle en acier inox.
 Aus verstärktem Polyamid, Bolzen, Mutter und Scheibe aus Edelstahl 1.4301.

DE	Kg	COD.	
12	0,18	8240135	25
14	0,20	8240136	
16	0,21	8240137	

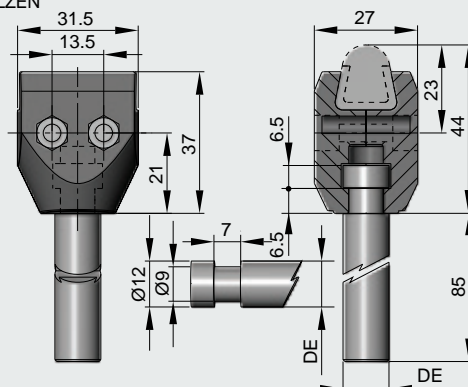
BRIDA SIMPLE / SINGLE CLAMP / BRIDE SIMPLE / EINFACHKLEMME



- M** Poliamida reforzada, tornillería Acero Inoxidable.
 Reinforced Polyamide, fastener in stainless steel.
 Polyamide Renforcé + Visserie acier inox.
 Aus verstärktem Polyamid, Verschraubungen aus Edelstahl 1.4301.

DE	Kg	COD.	
-	0,03	8210142	100

BRIDA SIMPLE CON EJE / SINGLE CLAMP WITH ROD / BRIDE SIMPLE AVEC AXE / EINFACHKLEMME MIT BOLZEN



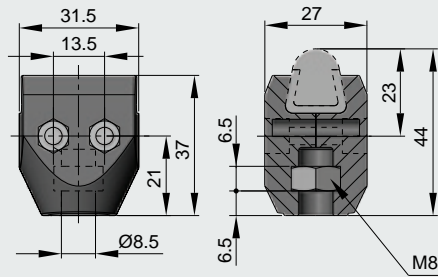
- M** Poliamida reforzada, eje y tornillería Acero Inoxidable.
 Reinforced Polyamide, pin and fastener in stainless steel.
 Polyamide Renforcé + axe et Visserie acier inox.
 Aus verstärktem Polyamid, Bolzen und Verschraubungen aus Edelstahl 1.4301.

DE	Kg	COD.	
12	0,11	8240143	50
14	0,13	8240144	
16	0,15	8240145	

BRIDAS PARA PERFIL CONICO / CLAMPS FOR CONICAL SIDE GUIDES

BRIDES POUR PROFIL CONIQUE / KLEMMEN FÜR KONISCHE PROFILE

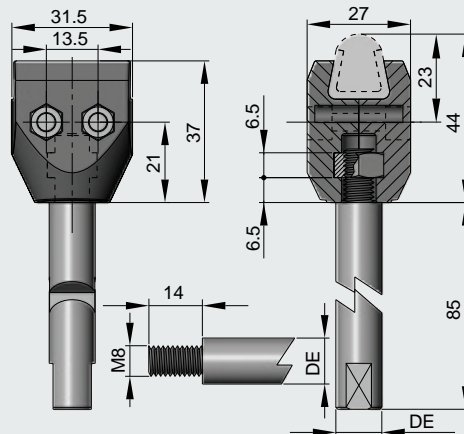
BRIDA SIMPLE / SINGLE CLAMP / BRIDE SIMPLE / EINFACHKLEMME MIT MUTTER M8



M Poliamida reforzada, tornillería Acero Inoxidable.
 Reinforced Polyamide, fastener in stainless steel.
 Polyamide Renforcé + Visserie acier inox.
 Aus verstärktem Polyamid, Verschraubungen aus Edelstahl 1.4301.

DE	Kg	COD.	
-	0,03	8210138	100

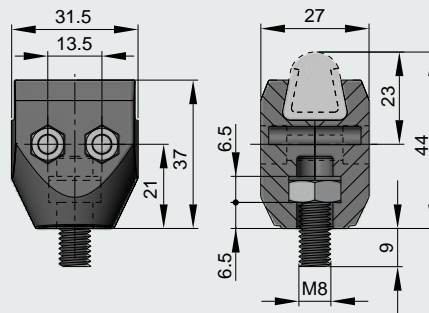
BRIDA SIMPLE CON EJE / SINGLE CLAMP WITH ROD
BRIDE SIMPLE AVEC AXE / EINFACHKLEMME MIT BOLZEN



M Poliamida reforzada, eje y tornillería Acero Inoxidable.
 Reinforced Polyamide, pin and astener in stainless steel.
 Polyamide Renforcé + axe et Visserie acier inox.
 Aus verstärktem Polyamid, Bolzen und Verschraubungen aus Edelstahl 1.4301.

DE	Kg	COD.	
12	0,11	8240139	50
14	0,13	8240140	
16	0,15	8240141	

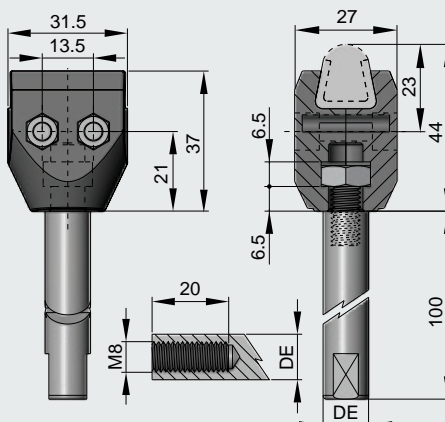
BRIDA SIMPLE / SINGLE CLAMP / BRIDE SIMPLE / EINFACHKLEMME MIT GEWINDESTIFT M8



M Poliamida reforzada, tornillería Acero Inoxidable.
 Reinforced Polyamide, fastener in stainless steel.
 Polyamide Renforcé + Visserie acier inox.
 Aus verstärktem Polyamid, Verschraubungen aus Edelstahl 1.4301.

DE	Kg	COD.	
-	0,03	8210146	100

BRIDA SIMPLE CON EJE / SINGLE CLAMP WITH ROD
BRIDE SIMPLE AVEC AXE / EINFACHKLEMME MIT BOLZEN



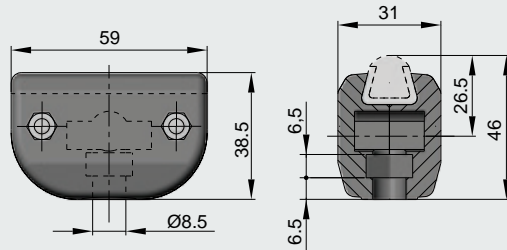
M Poliamida reforzada, eje y tornillería Acero Inoxidable.
 Reinforced Polyamide, pin and astener in stainless steel.
 Polyamide Renforcé + axe et Visserie acier inox.
 Aus verstärktem Polyamid, Bolzen und Verschraubungen aus Edelstahl 1.4301.

DE	Kg	COD.	
12	0,11	8240147	50
14	0,13	8240148	
16	0,15	8240149	

BRIDAS PARA PERFIL CONICO / CLAMPS FOR CONICAL SIDE GUIDES
BRIDES POUR PROFIL CONIQUE / KLEMMEN FÜR KONISCHE PROFILE

B

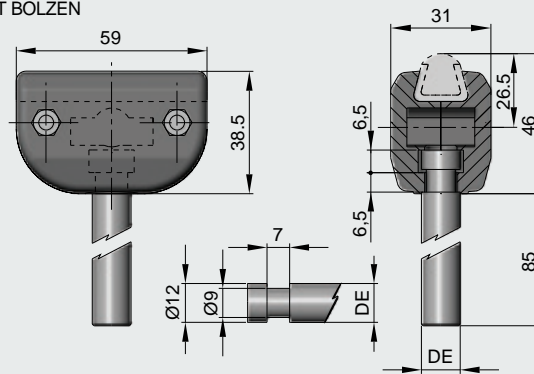
BRIDA SIMPLE / SINGLE CLAMP / BRIDE SIMPLE / EINFACHKLEMMLE



M Poliamida reforzada, tornillería Acero Inoxidable.
 Reinforced Polyamide, fastener in stainless steel.
 Polyamide Renforcé + Visserie acier inox.
 Aus verstärktem Polyamid, Verschraubungen aus Edelstahl 1.4301.

DE	Kg	COD.	
-	0,06	8210161	50

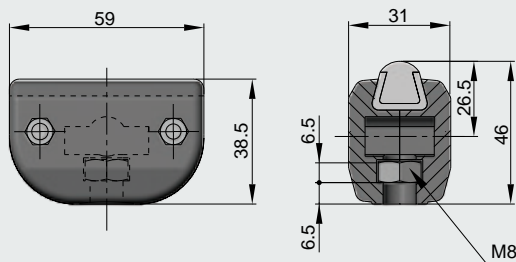
BRIDA SIMPLE CON EJE / SINGLE CLAMP WITH ROD
 BRIDE SIMPLE AVEC AXE / EINFACHKLEMMLE MIT BOLZEN



M Poliamida reforzada, eje y tornillería Acero Inoxidable.
 Reinforced Polyamide, pin and astener in stainless steel.
 Polyamide Renforcé + axe et Visserie acier inox.
 Aus verstärktem Polyamid, Bolzen und Verschraubungen aus Edelstahl 1.4301.

DE	Kg	COD.	
12	0,14	8240162	30
14	0,16	8240163	
16	0,18	8240164	

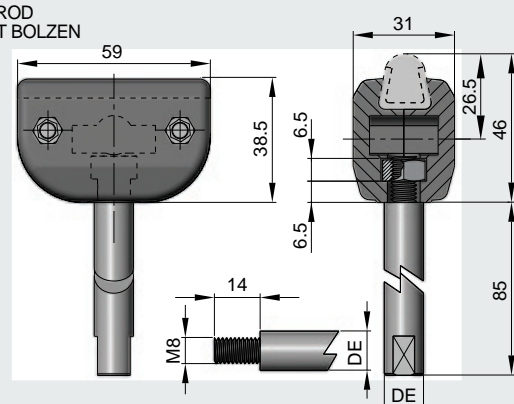
BRIDA SIMPLE / SINGLE CLAMP / BRIDE SIMPLE / EINFACHKLEMMLE MIT MUTTER M8



M Poliamida reforzada, tornillería Acero Inoxidable.
 Reinforced Polyamide, fastener in stainless steel.
 Polyamide Renforcé + Visserie acier inox.
 Aus verstärktem Polyamid, Verschraubungen aus Edelstahl 1.4301.

DE	Kg	COD.	
-	0,06	8210157	50

BRIDA SIMPLE CON EJE / SINGLE CLAMP WITH ROD
 BRIDE SIMPLE AVEC AXE / EINFACHKLEMMLE MIT BOLZEN



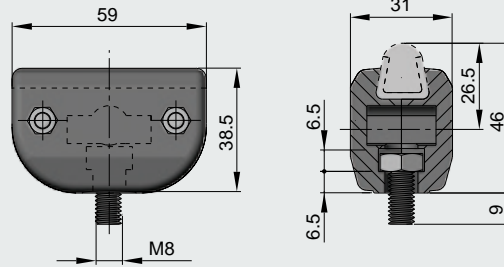
M Poliamida reforzada, eje y tornillería Acero Inoxidable.
 Reinforced Polyamide, pin and astener in stainless steel.
 Polyamide Renforcé + axe et Visserie acier inox.
 Aus verstärktem Polyamid, Bolzen und Verschraubungen aus Edelstahl 1.4301.

DE	Kg	COD.	
12	0,14	8240158	30
14	0,16	8240159	
16	0,18	8240160	

BRIDAS PARA PERFIL CONICO / CLAMPS FOR CONICAL SIDE GUIDES

BRIDES POUR PROFIL CONIQUE / KLEMMEN FÜR KONISCHE PROFILE

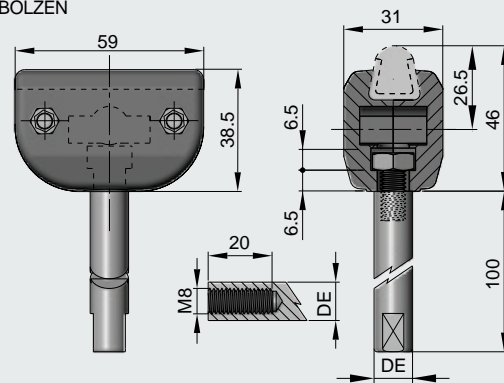
BRIDA SIMPLE / SINGLE CLAMP / BRIDE SIMPLE / EINFACHKLEMME MIT GEWINDESTIFT M8



M Poliamida reforzada, tornillería Acero Inoxidable.
 Reinforced Polyamide, fastener in stainless steel.
 Polyamide Renforcé + Visserie acier inox.
 Aus verstärktem Polyamid, Verschraubungen aus Edelstahl 1.4301.

DE	Kg	COD.	
-	0,06	8210165	50

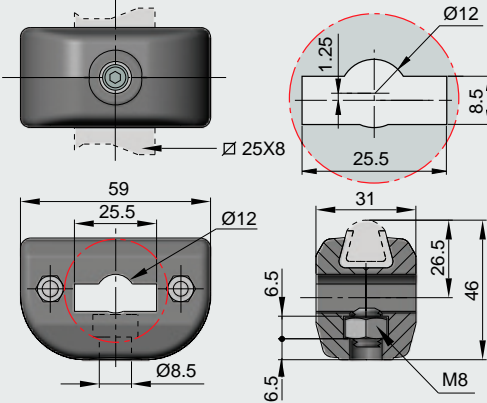
BRIDA SIMPLE CON EJE / SINGLE CLAMP WITH ROD
 BRIDE SIMPLE AVEC AXE / EINFACHKLEMME MIT BOLZEN



M Poliamida reforzada, eje y tornillería Acero Inoxidable.
 Reinforced Polyamide, pin and astener in stainless steel.
 Polyamide Renforcé + axe et Visserie acier inox.
 Aus verstärktem Polyamid, Bolzen und Verschraubungen aus Edelstahl 1.4301.

DE	Kg	COD.	
12	0,14	8240166	30
14	0,16	8240167	
16	0,18	8240168	

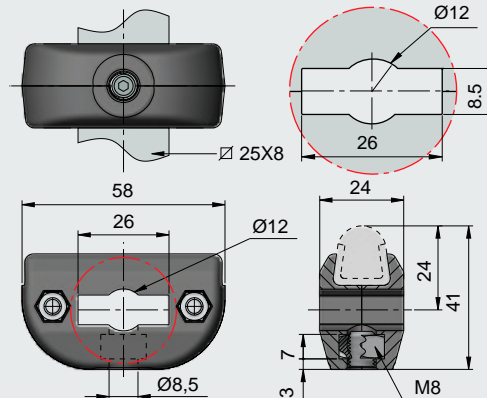
BRIDA SIMPLE / SINGLE CLAMP / BRIDE SIMPLE / EINSTELLBARE EINFACHKLEMME MIT MUTTER M8



M Poliamida reforzada, tornillería Acero Inoxidable.
 Reinforced Polyamide, fastener in stainless steel.
 Polyamide Renforcé + Visserie acier inox.
 Aus verstärktem Polyamid, Verschraubungen aus Edelstahl 1.4301.

DE	Kg	COD.	
-	0,06	8210169	50

BRIDA SIMPLE / SINGLE CLAMP / BRIDE SIMPLE / EINSTELLBARE EINFACHKLEMME MIT MUTTER M8



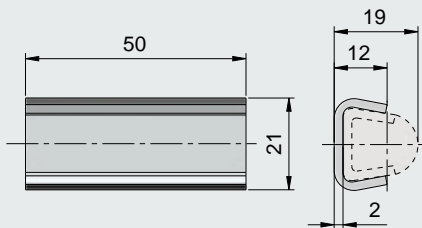
M Poliamida reforzada, tornillería Acero Inoxidable.
 Reinforced Polyamide, fastener in stainless steel.
 Polyamide Renforcé + Visserie acier inox.
 Aus verstärktem Polyamid, Verschraubungen aus Edelstahl 1.4301.

DE	Kg	COD.	
-	0,05	8210461	80

BRIDAS PARA PERFIL CONICO / CLAMPS FOR CONICAL SIDE GUIDES
BRIDES POUR PROFIL CONIQUE / KLEMMEN FÜR KONISCHE PROFILE

B

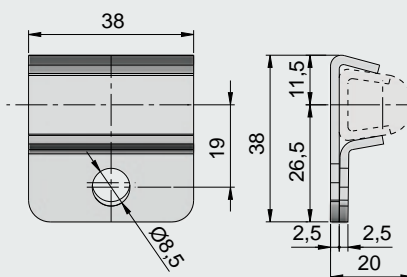
UNIÓN DE GUÍA / GUIDE-JOINT / RACCORD (DE GUIDE) / VERBINDUNGSTÜCK



M Acero inoxidable / Stainless steel
 Acier inoxydable / Edelstahl 1.4301.

Kg	COD.	
0,03	8214620	200

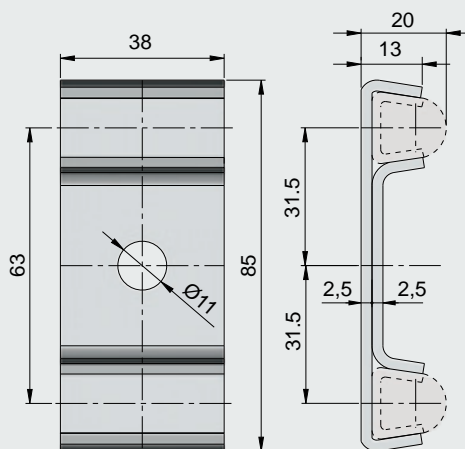
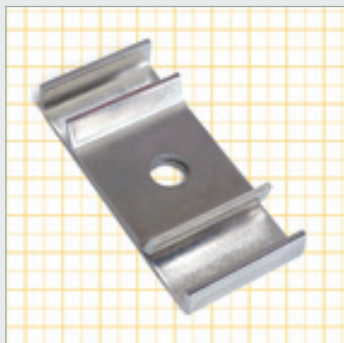
BRIDA SIMPLE / SINGLE CLAMP / BRIDE SIMPLE / EINFACHKLEMME



M Acero inoxidable / Stainless steel
 Acier inoxydable / Edelstahl 1.4301.

Kg	COD.	
0,05	8214680	200

BRIDA DOBLE / DOUBLE CLAMP / BRIDE DOUBLE / DOPPELKLEMME

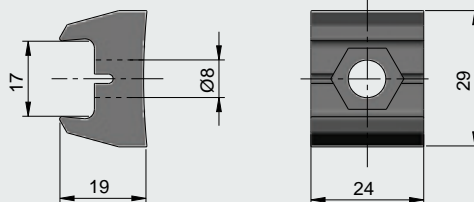
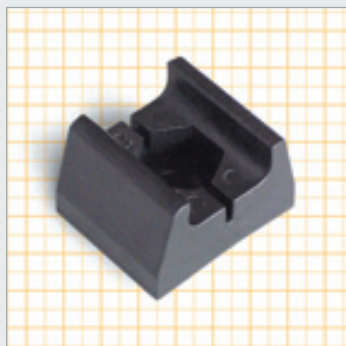


M Acero inoxidable / Stainless steel
 Acier inoxydable / Edelstahl 1.4301.

Kg	COD.	
0,13	8214691	50

BRIDAS PARA PERFIL CONICO / CLAMPS FOR CONICAL SIDE GUIDES
BRIDES POUR PROFIL CONIQUE / KLEMMEN FÜR KONISCHE PROFILE

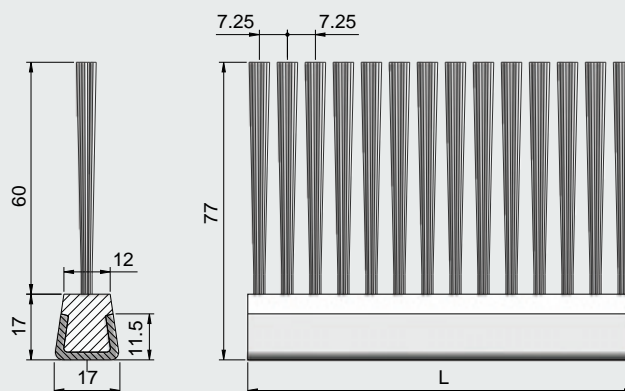
BRIDA PARA PERFIL CONICO / CLAMP FOR CONICAL SIDE GUIDE
 BRIDE POUR PROFIL CONIQUE / EINFACHKLEMME FÜR KONISCHE PROFILE



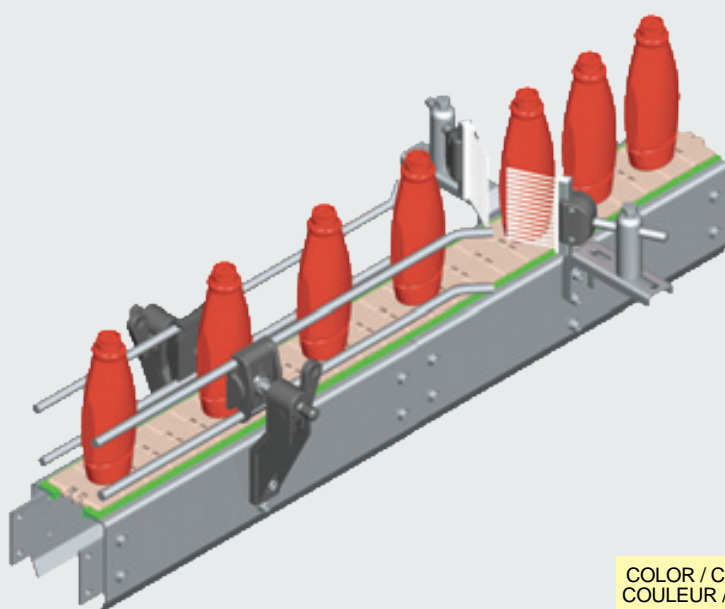
- M** Poliamida reforzada.
 Reinforced Polyamide.
 Polyamide Renforcé.
 Aus verstärktem Polyamid.



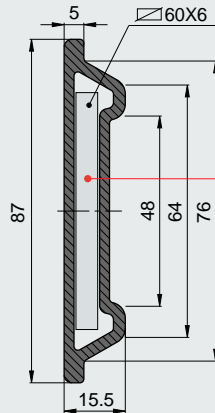
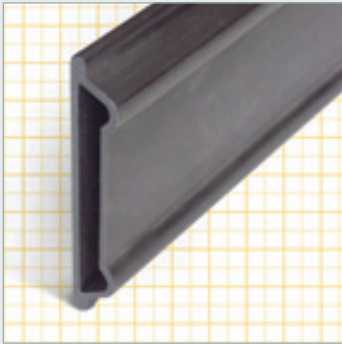
Kg	COD.	
0,01	8210367	100



- M** Polietileno UHMW 1000 "DESLIDUR". Cepillo filamento PE.
 UHMW 1000 "DESLIDUR" Polyethylene.
 Polyéthylène UHMW 1000 "DESLIDUR" Brosse PE.
 Profil aus Polyäthylen UHMW 1000 "DESLIDUR", C-Stahl siehe Tabelle.



COLOR / COLOUR COULEUR / FARBE	GUIA / GUIDE STAHL- PROFIL	L	Kg/m	COD.
Blanco/White Blanc/Weiß	<input type="text" value="SS"/>	500	0,72	CSS1010X05



- M** Polietileno autolubrificado.
 Self-lubricating polyethylene.
 Polyéthylène autolubrifié.
 Selbstschmierendes Polyäthylen.

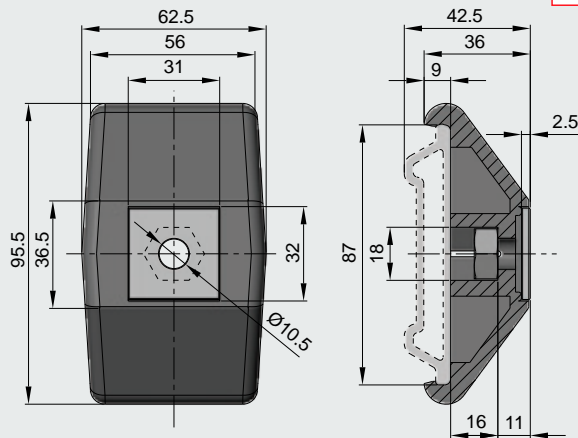
Pletina no incluida / Plate not included
 Plat pas compris / Flachprofil nicht beigefügt

INFORMACIÓN TÉCNICA / TECHNICAL INFORMATION / INFORMATIONS TECHNIQUES / TECHNISCHE BERICHTE

- Coeficiente de expansión lineal: $2,5 \cdot 10^{-4} \text{ }^\circ\text{C}^{-1}$
 - Temperatura de trabajo: $-35^\circ\text{C} - +70^\circ\text{C}$
 - Radio mínimo de curvatura: 200 mm
- Coefficient of linear expansion: $2,5 \cdot 10^{-4} \text{ }^\circ\text{C}^{-1}$
 - Working temperature: $-35^\circ\text{C} - +70^\circ\text{C}$
 - Minimum bending radius: 200 mm

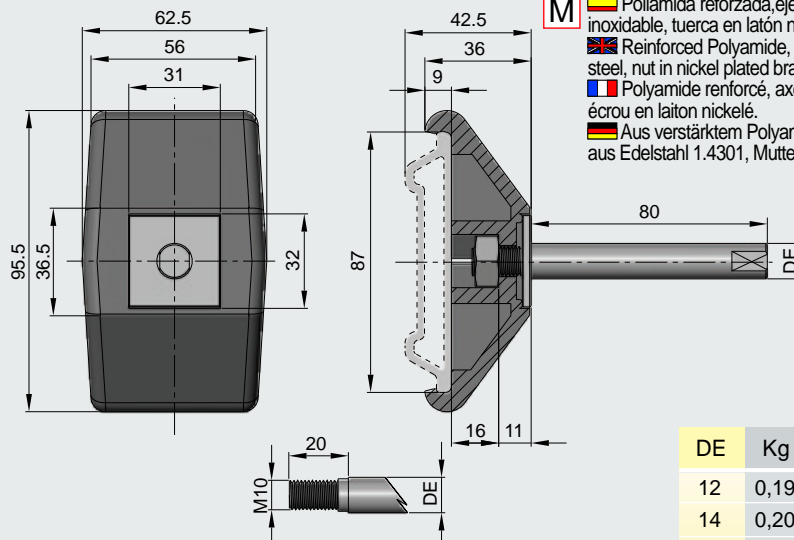
- Coefficient de d'expansion linéaire: $2,5 \cdot 10^{-4} \text{ }^\circ\text{C}^{-1}$
 - Température de travail: $-35^\circ\text{C} - +70^\circ\text{C}$
 - Rayon minimum de courbure: 200 mm
- Horizontaler Ausdehnungskoeffizient: $2,5 \cdot 10^{-4} \text{ }^\circ\text{C}^{-1}$
 - Dauerbetriebstemperatur: $-35^\circ\text{C} - +70^\circ\text{C}$
 - Min. Biegeradius: 200 mm

L	Kg/m	COD.
3	0,33	P30450.15
6		P30450.20



- M** Poliamida reforzada, tornillería Acero Inoxidable.
 Reinforced Polyamide, fastener in stainless steel.
 Polyamide Renforcé + Visserie acier inox.
 Aus verstärktem Polyamid, Verschraubungen aus Edelstahl 1.4301.

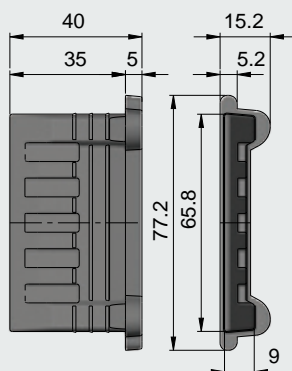
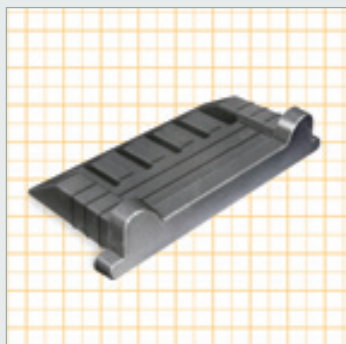
Kg	COD.	
0,08	8210277	25



- M** Poliamida reforzada, eje y arandela en acero inoxidable, tuerca en latón niquelado.
 Reinforced Polyamide, pin and washer in stainless steel, nut in nickel plated brass.
 Polyamide renforcé, axe et rondelle en acier inox, écrou en laiton nickelé.
 Aus verstärktem Polyamid, Bolzen und Scheibe aus Edelstahl 1.4301, Mutter aus vernickeltem Messing.

DE	Kg	COD.	
12	0,19	8240290	25
14	0,20	8240292	
16	0,24	8240294	

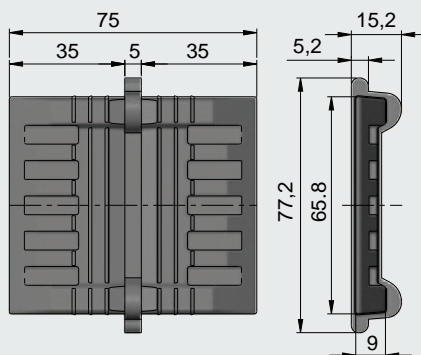
B



- M** Poliamida reforzada.
 Reinforced Polyamide.
 Polyamide Renforcé.
 Aus verstärktem Polyamid.

PERFILES A UTILIZAR / PROFILES TO USE / } P30447.15
 POUR PROFILS / GEBRAUCHSPROFILEN } P30447.20

Kg	COD.	
0,02	8040501	100



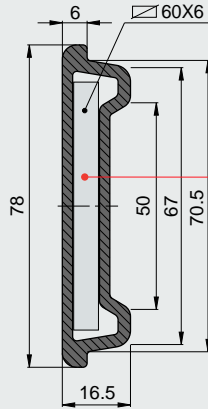
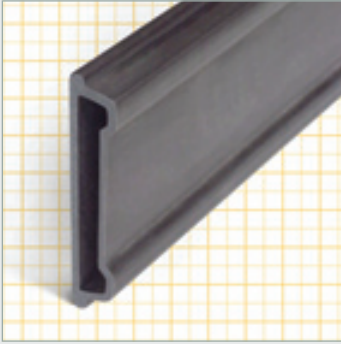
- M** Poliamida reforzada.
 Reinforced Polyamide.
 Polyamide Renforcé.
 Aus verstärktem Polyamid.

PERFILES A UTILIZAR / PROFILES TO USE / } P30447.15
 POUR PROFILS / GEBRAUCHSPROFILEN } P30447.20

Kg	COD.	
0,03	8040535	50



B



- M**
- Polietileno autolubrificado.
 - Self-lubricating polyethylene.
 - Polyéthylène autolubrifié.
 - Selbstschmierendes Polyäthylen.

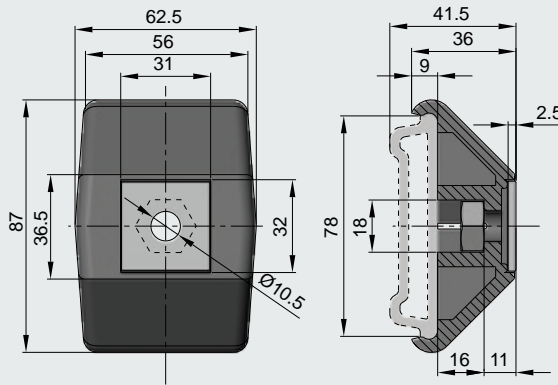
Pletina no incluida / Plate not included
Plat pas compris / Flachprofil nicht beigelegt

INFORMACIÓN TÉCNICA / TECHNICAL INFORMATION / INFORMATIONS TECHNIQUES / TECHNISCHE BERICHTE

- Coeficiente de expansión lineal: $2,5 \cdot 10^{-4} \text{ } ^\circ\text{C}^{-1}$
- Temperatura de trabajo: -35°C - +70°C
- Radio mínimo de curvatura: 200 mm
- Coefficient of linear expansion: $2,5 \cdot 10^{-4} \text{ } ^\circ\text{C}^{-1}$
- Working temperature: -35°C - +70°C
- Minimum bending radius: 200 mm

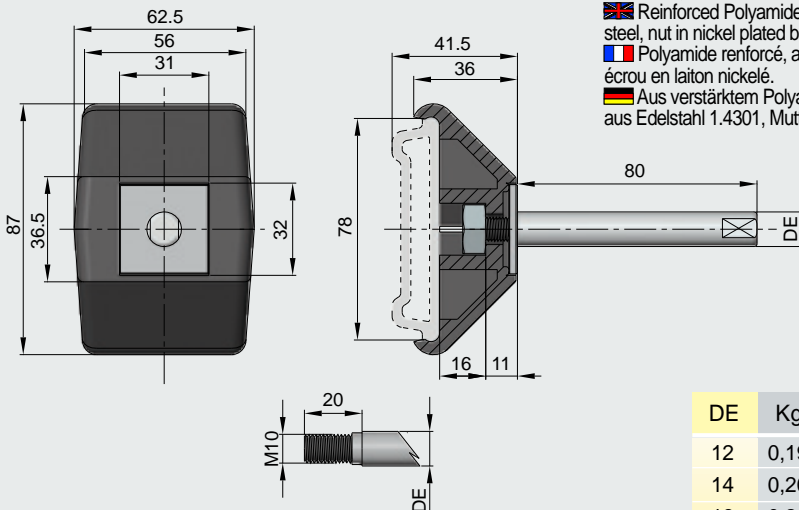
- Coefficient de d'expansion linéaire: $2,5 \cdot 10^{-4} \text{ } ^\circ\text{C}^{-1}$
- Température de travail: -35°C - +70°C
- Rayon minimum de courbure: 200 mm
- Horizontaler Ausdehnungskoeffizient: $2,5 \cdot 10^{-4} \text{ } ^\circ\text{C}^{-1}$
- Dauerbetriebstemperatur: -35°C - +70°C
- Min. Biegeradius: 200 mm

L	Kg/m	COD.
3	0,33	P30447.15
6		P30447.20



- M**
- Poliamida reforzada, tornillería Acero Inoxidable.
 - Reinforced Polyamide, fastener in stainless steel.
 - Polyamide Renforcé + Visserie acier inox.
 - Aus verstärktem Polyamid, Verschraubungen aus Edelstahl 1.4301.

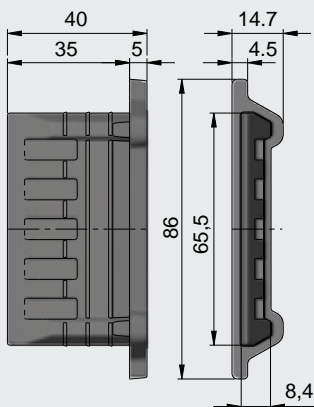
Kg	COD.	
0,08	8210270	25



- M**
- Poliamida reforzada, eje y arandela en acero inoxidable, tuerca en latón niquelado.
 - Reinforced Polyamide, pin and washer in stainless steel, nut in nickel plated brass.
 - Polyamide renforcé, axe et rondelle en acier inox, écrou en laiton nickelé.
 - Aus verstärktem Polyamid, Bolzen und Scheibe aus Edelstahl 1.4301, Mutter aus vernickeltem Messing.

DE	Kg	COD.	
12	0,19	8240271	25
14	0,20	8240272	
16	0,24	8240273	

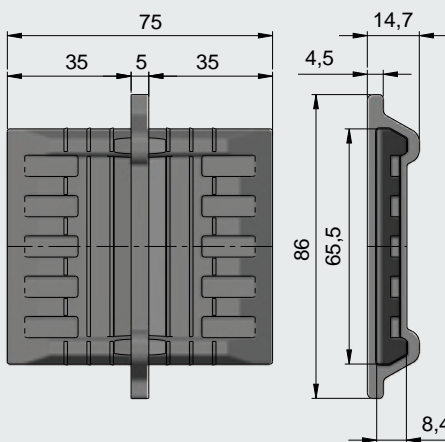
PERFIL LATERAL / EXTRA SIDE GUIDE
GUIDE LATERAL / EXTRA SEITENFÜHRUNG UND KLEMMEN



- M** Poliamida reforzada.
 Reinforced Polyamide.
 Polyamide Renforcé.
 Aus verstärktem Polyamid.

PERFILES A UTILIZAR / PROFILES TO USE / } P30450.15
 POUR PROFILS / GEBRAUCHSPROFILEN } P30450.20

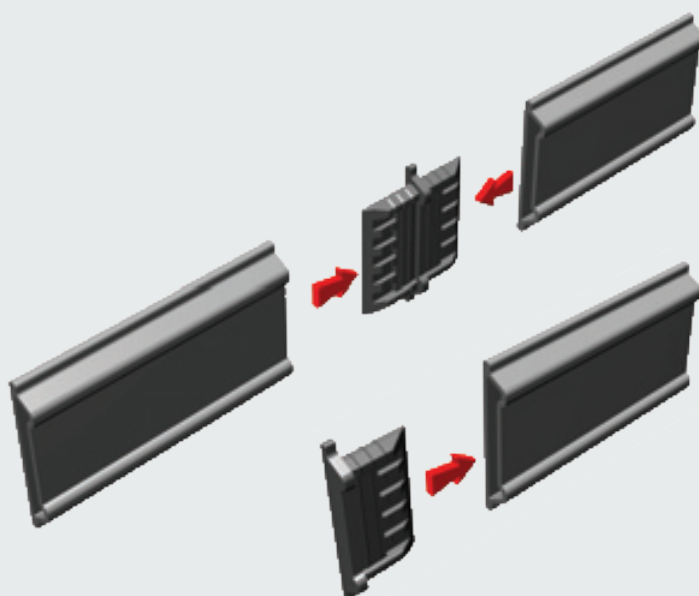
Kg	COD.	
0,02	8040560	100



- M** Poliamida reforzada.
 Reinforced Polyamide.
 Polyamide Renforcé.
 Aus verstärktem Polyamid.

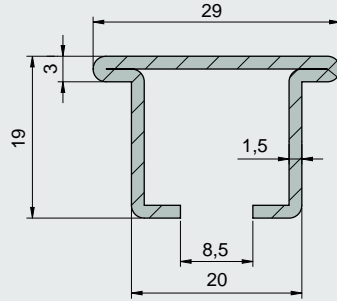
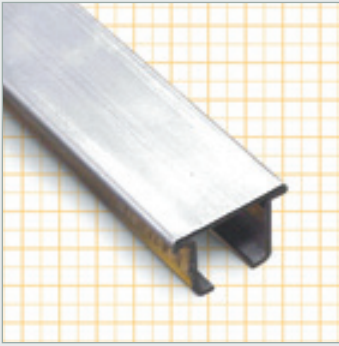
PERFILES A UTILIZAR / PROFILES TO USE / } P30450.15
 POUR PROFILS / GEBRAUCHSPROFILEN } P30450.20

Kg	COD.	
0,04	8040581	50

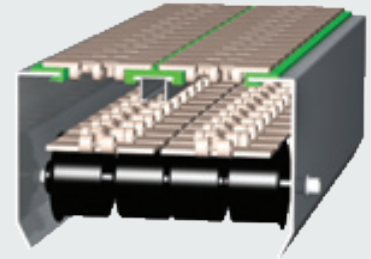


B

GUIA / GUIDE / GUIDE / FÜHRUNGEN

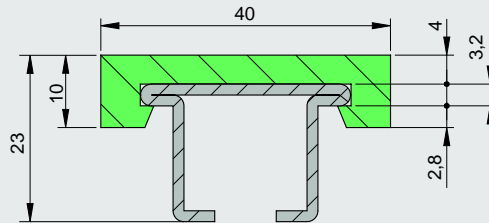
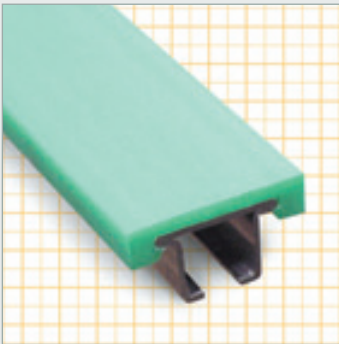


- M**
- Acero inoxidable.
 - Stainless steel.
 - Acier inoxydable.
 - Edelstahl 1.4301.



L	Kg	COD.
3	2,78	C2919SS.15
6	5,56	C2919SS.20

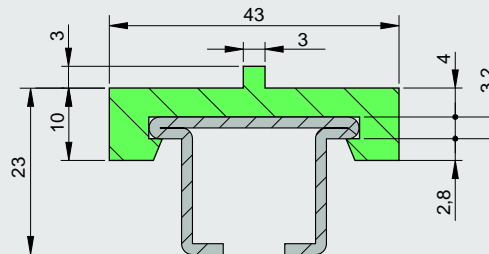
GUIA / GUIDE / GUIDE / FÜHRUNGEN



- M**
- Polietileno UHMW 1000 "DESLIDUR", guía s/ tabla.
 - UHMW 1000 "DESLIDUR" Polyetilene, guide as in the table.
 - Polyéthylène UHMW 1000 "DESLIDUR", profile suivant table.
 - Profil aus Polyäthylen UHMW 1000 "DESLIDUR", C-stahl siehe Tabelle.

COLOR / COLOUR COULEUR / FARBE	GUIA / GUIDE STAHL- PROFIL	L	Kg	COD.
Verde/Green/Vert/Grün	-	3	0,64	P20376.15
Verde/Green/Vert/Grün	-	6	1,28	P20376.20
Verde/Green/Vert/Grün	C2919SS.15	3	3,42	PSS20376.15
Verde/Green/Vert/Grün	C2919SS.20	6	6,84	PSS20376.20

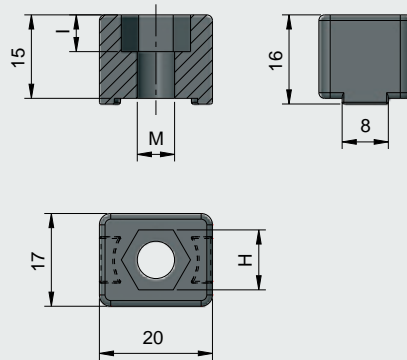
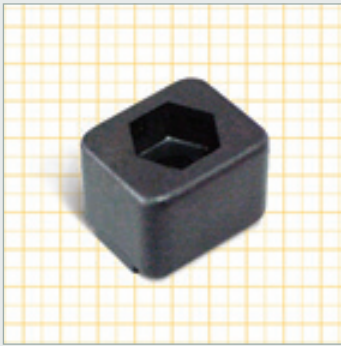
GUIA / GUIDE / GUIDE / FÜHRUNGEN



- M**
- Polietileno UHMW 1000 "DESLIDUR", guía s/ tabla.
 - UHMW 1000 "DESLIDUR" Polyetilene, guide as in the table.
 - Polyéthylène UHMW 1000 "DESLIDUR", profile suivant table.
 - Profil aus Polyäthylen UHMW 1000 "DESLIDUR", C-stahl siehe Tabelle.

COLOR / COLOUR COULEUR / FARBE	GUIA / GUIDE STAHL- PROFIL	L	Kg	COD.
Verde/Green/Vert/Grün	-	3	0,67	P20378.15
Verde/Green/Vert/Grün	-	6	1,34	P20378.20
Verde/Green/Vert/Grün	C2919SS.15	3	3,45	PSS20378.15
Verde/Green/Vert/Grün	C2919SS.20	6	6,90	PSS20378.20

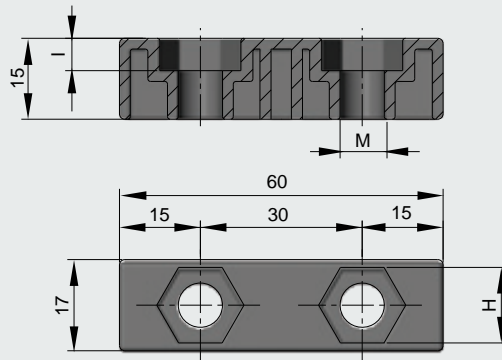
ELEMENTO DE CONEXION / CONNECTING ELEMENT
ELEMENT DE CONEXION / VERBINDUNGSSTÜCK



- M** Poliamida Reforzada.
 Reinforced Polyamide.
 Polyamide Renforcée.
 Aus verstärktem Polyamid

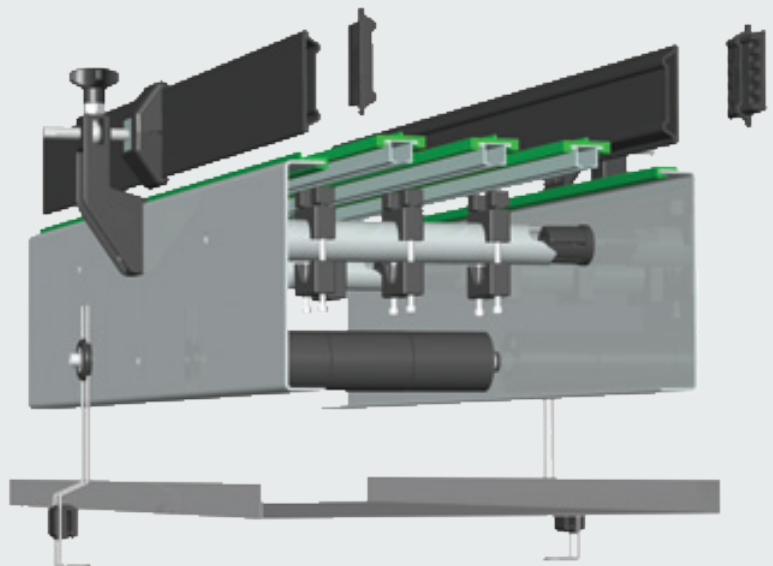
H	M	I	Kg	COD.	
10	Ø6,2	6	0,01	8340349	400
13	Ø8,2	6	0,01	8340350	

ELEMENTO DE CONEXION / CONNECTING ELEMENT
ELEMENT DE CONEXION / VERBINDUNGSSTÜCK



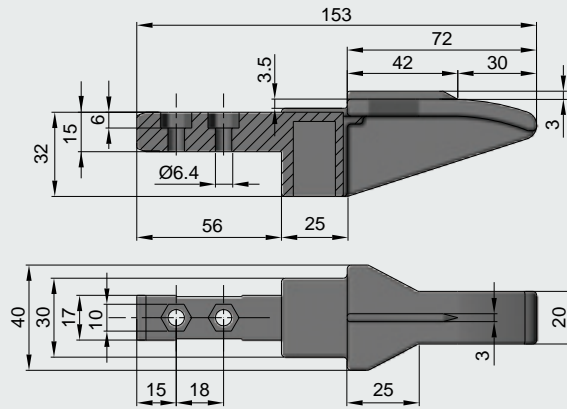
- M** Poliamida Reforzada.
 Reinforced Polyamide.
 Polyamide Renforcée.
 Aus verstärktem Polyamid

H	M	I	Kg	COD.	
10	Ø6,2	6	0,02	8340359	200
13	Ø8,2	6	0,02	8340360	



B

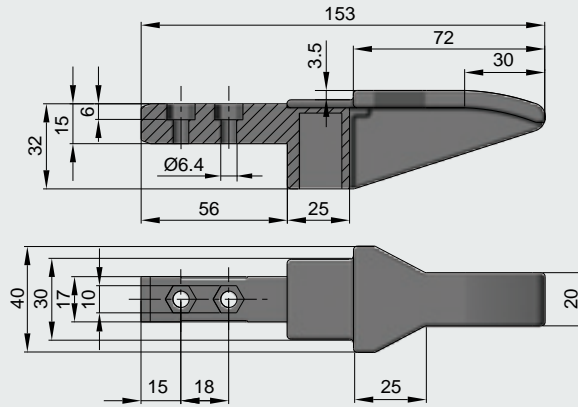
PATIN / PATIN / SLIDING SHOE / SCHUH



- M** Poliamida Reforzada.
- Reinforced Polyamide.
- Polyamide Renforcée.
- Aus verstärktem Polyamid

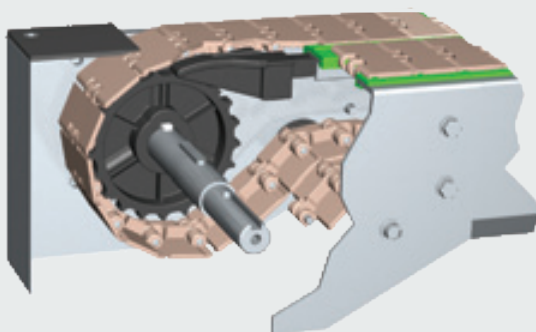
Kg	COD.	
0,04	8340385	25

PATIN / PATIN / SLIDING SHOE / SCHUH



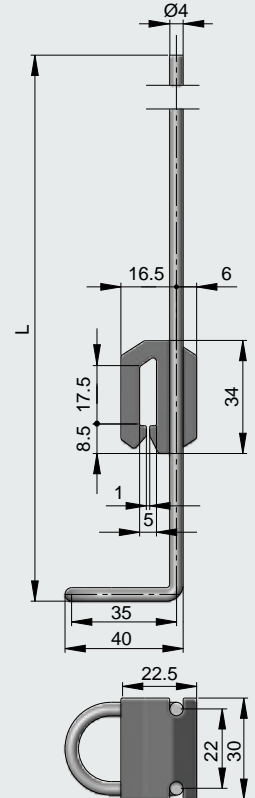
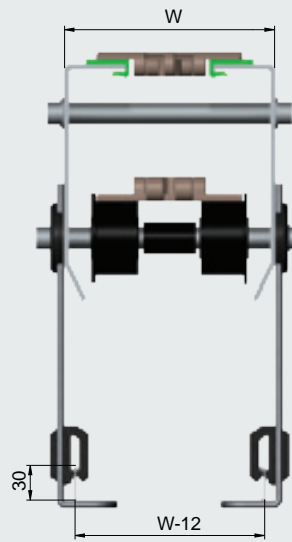
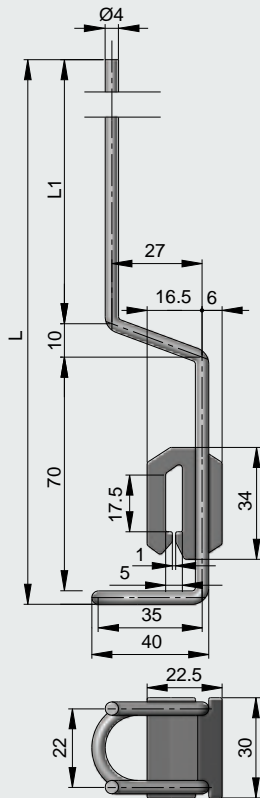
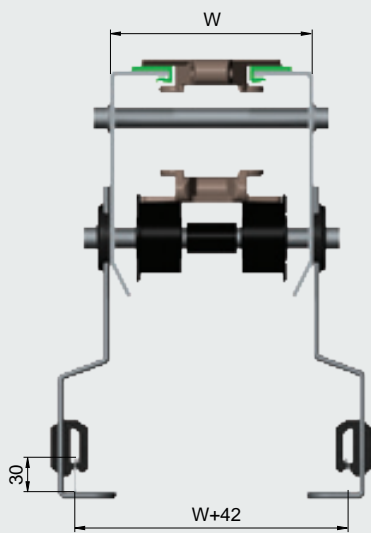
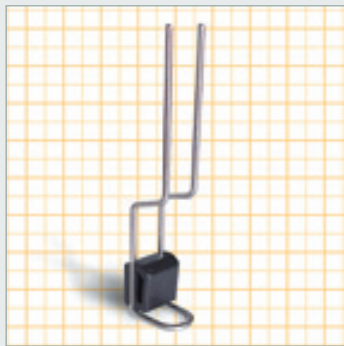
- M** Poliamida Reforzada.
- Reinforced Polyamide.
- Polyamide Renforcée.
- Aus verstärktem Polyamid

Kg	COD.	
0,04	8340380	25



TIRANTE PORTABANDEJAS / DRIP TRAY SUPPORTS
TIRANT PORTE GOUTTIERE / TROPFBLECHHALTER

M Poliamida reforzada + Acero Inoxidable.
 Reinforced Polyamide + stainless steel.
 Polyamide Renforcé + acier inoxydable.
 Aus verstärktem Polyamid und Edelstahl 1.4301

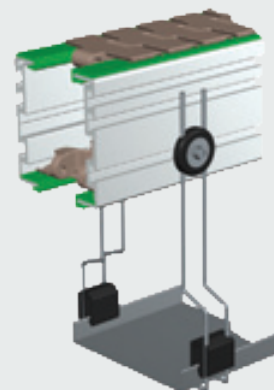
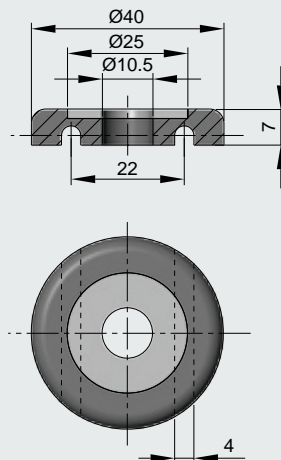


L mm	L1 mm	Kg	COD.	
180	100	0,08	8225311	25
250	170	0,10	8225312	
280	200	0,12	8225314	

L mm	L1 mm	Kg	COD.	
250	-	0,08	8226218	25
400	-	0,10	8226219	

ANILLO PORTATIRANTE / FIXING WASHER
ANNEAU POUR TIRANT / HALTESCHEIBE

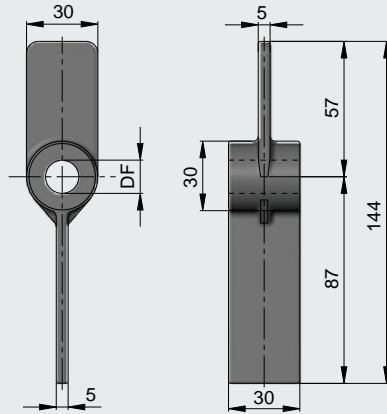
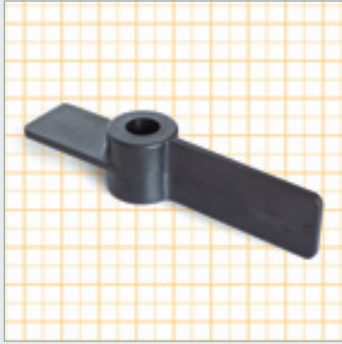
M Poliamida reforzada + Acero Inoxidable.
 Reinforced Polyamide + stainless steel.
 Polyamide Renforcé + acier inoxydable.
 Aus verstärktem Polyamid und Edelstahl 1.4301



Kg	COD.	
0,02	8225207	200

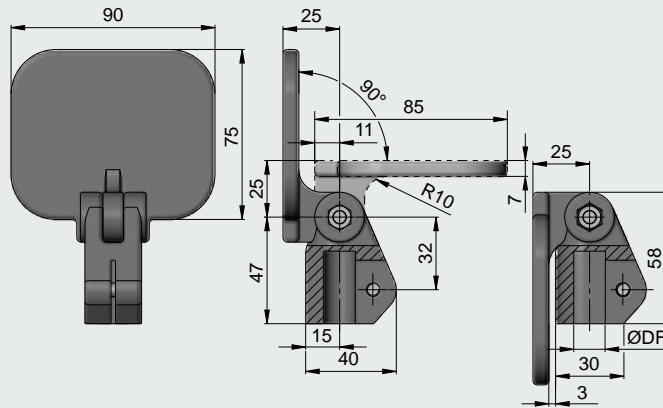
B

B



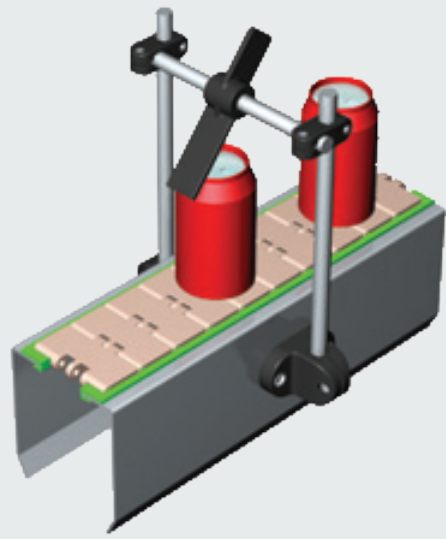
- M** Poliamida reforzada.
 Reinforced Polyamide.
 Polyamide Renforcé.
 Aus verstärktem Polyamid.

DF	Kg	COD.	
14	0,05	8330237	50

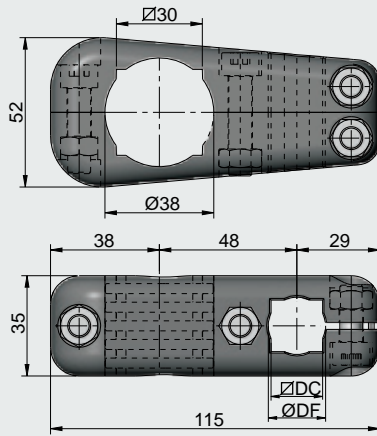


- M** Poliamida reforzada, tornillería Acero Inoxidable.
 Reinforced Polyamide, fastener in stainless steel.
 Polyamide Renforcé + Visserie acier inox.
 Aus verstärktem Polyamid, Verschraubungen aus Edelstahl 1.4301.

DF	Kg	COD.	
12	0,1	8330301	15
14	0,1	8330303	
15	0,1	8330305	
16	0,1	8330306	
18	0,1	8330308	
20	0,1	8330310	

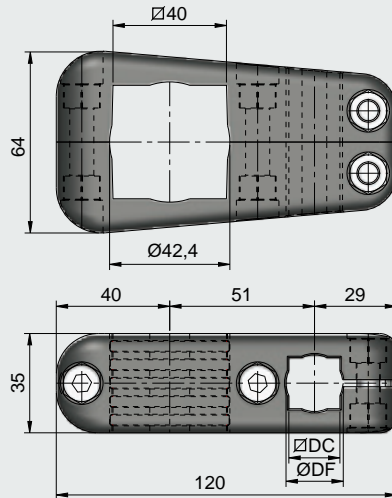
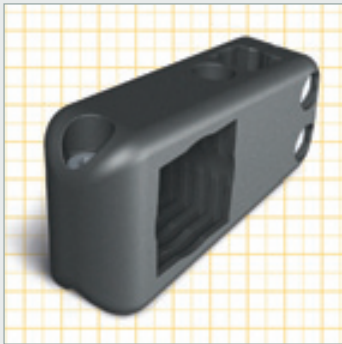


CRUCETAS / CROSS BLOCK AND PHOTOCELL ACCESORIES
NOIX PORTE CELLULE / KREUZKLEMMEN UND ZUBEHÖR FÜR FOTOZELLEN



- M** Poliamida reforzada, tornillería Acero Inoxidable.
 Reinforced Polyamide + fastener in stainless steel.
 Polyamide Renforcé + Visserie acier inoxydable.
 Aus verstärktem Polyamid, Verschraubung aus Edelstahl 1.4301

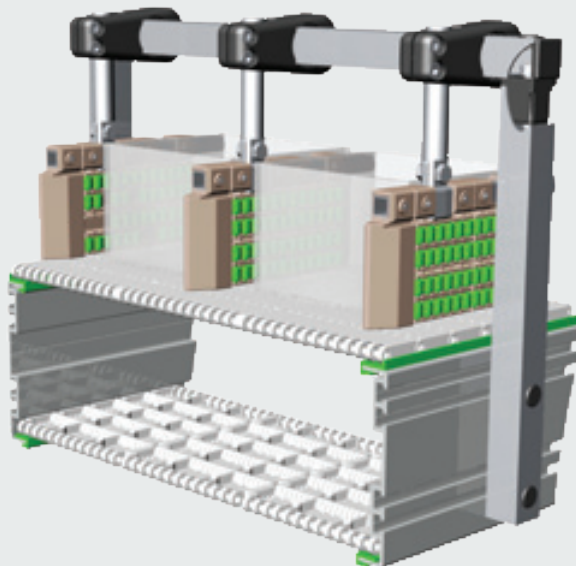
ØDF	ØDC	Kg	COD.	
18	15	0,20	8330648	20
20	18	0,19	8330650	



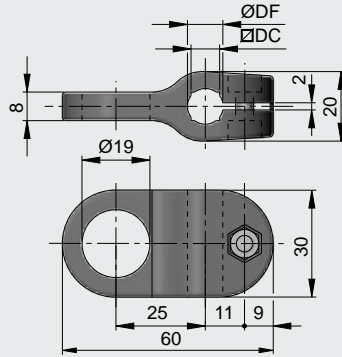
- M** Poliamida reforzada, tornillería Acero Inoxidable.
 Reinforced Polyamide + fastener in stainless steel.
 Polyamide Renforcé + Visserie acier inoxydable.
 Aus verstärktem Polyamid, Verschraubung aus Edelstahl 1.4301

NUEVO PRODUCTO
NEW PRODUCT
NOUVEAU PRODUIT
NEUES PRODUKT

ØDF	ØDC	Kg	COD.	
20	18	0,22	8330663	20

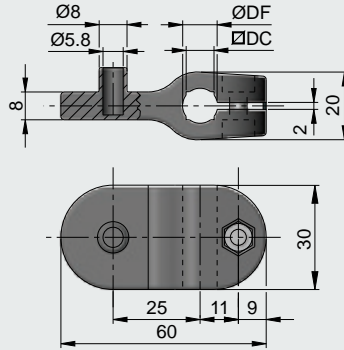


B



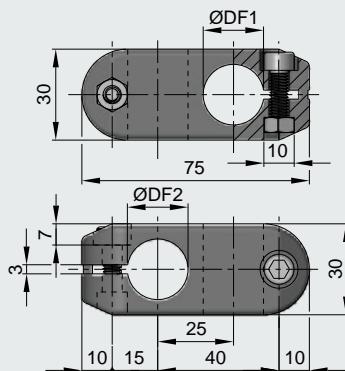
- M** Poliamida reforzada, tornillería Acero Inoxidable.
 Reinforced Polyamide, fastener in stainless steel.
 Polyamide Renforcé + Visserie acier inox.
 Aus verstärktem Polyamid, Verschraubungen aus Edelstahl 1.4301.

ØDF	ØDC	Kg	COD.	
10	8	0,02	8330221	100
12	10	0,02	8330222	
14	12	0,02	8330223	



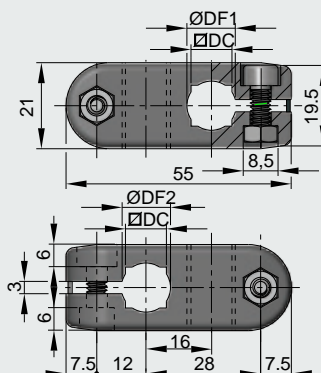
- M** Poliamida reforzada, tornillería Acero Inoxidable.
 Reinforced Polyamide, fastener in stainless steel.
 Polyamide Renforcé + Visserie acier inox.
 Aus verstärktem Polyamid, Verschraubungen aus Edelstahl 1.4301.

ØDF	ØDC	Kg	COD.	
10	8	0,03	8330227	100
12	10	0,03	8330228	
14	12	0,03	8330229	



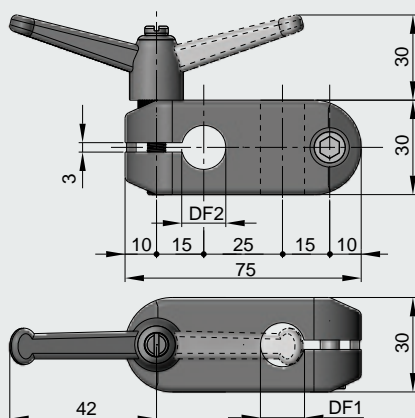
M Poliamida reforzada, tornillería Acero Inoxidable.
 Reinforced Polyamide, fastener in stainless steel.
 Polyamide Renforcé + Visserie acier inox.
 Aus verstärktem Polyamid, Verschraubungen aus Edelstahl 1.4301.

ØDF1	ØDF2	Kg	COD.	
14	14	0,07	8330194	50
14	15	0,07	8330195	
14	16	0,07	8330196	
15	15	0,07	8330197	
15	16	0,07	8330198	
16	16	0,07	8330199	
18	18	0,07	8330201	
20	20	0,07	8330202	



M Poliamida reforzada, tornillería Acero Inoxidable.
 Reinforced Polyamide, fastener in stainless steel.
 Polyamide Renforcé + Visserie acier inox.
 Aus verstärktem Polyamid, Verschraubungen aus Edelstahl 1.4301.

ØDF1	ØDF2	ØDC	Kg	COD.	
10	10	8	0,03	8330187	100
12	12	10	0,03	8330189	
14	14	12	0,03	8330191	

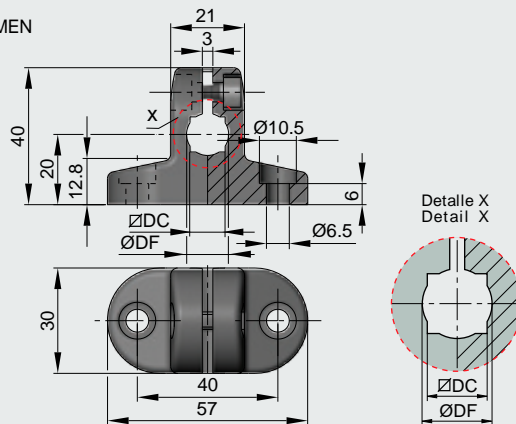


M Poliamida reforzada, tornillería Acero Inoxidable, eje acero zincado.
 Reinforced Polyamide, fastener in stainless steel, pin in zinc plated.
 Polyamide Renforcé + Visserie acier inox, inserts vissés acier zingué.
 Aus verstärktem Polyamid, Gewindestift aus vernickeltem stahl, Verschraubungen aus Edelstahl 1.4301.

ØDF1	ØDF2	Kg	COD.	
14	14	0,09	8330740	25
15	15	0,09	8330745	
16	16	0,09	8330746	
18	18	0,09	8330748	
20	20	0,09	8330750	

B

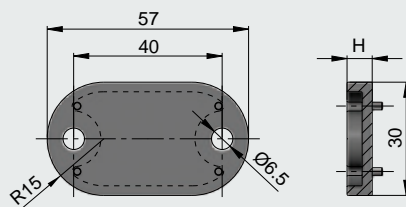
CRUCETA / CROSS BLOCK / NOIX / KREUZKLEMMEN



M Poliamida reforzada, tornillería Acero Inoxidable.
 Reinforced Polyamide, fastener in stainless steel.
 Polyamide Renforcé + Visserie acier inox.
 Aus verstärktem Polyamid, Verschraubungen aus Edelstahl 1.4301.

ØDF	ØDC	Kg	COD.	
10	8	0,03	8330215	75
12	10	0,03	8330216	
14	12	0,03	8330217	

DISTANCIADOR CRUCETA REFORZADA / REINFORCED CROSS BLOCK SPACER / ÉLOIGNEMENT DE NOIX / KREUZKLEMMEN GETRENTER

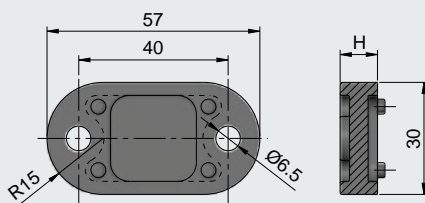


M Poliamida reforzada.
 Reinforced Polyamide.
 Polyamide Renforcé.
 Aus verstärktem Polyamid.

H	Kg	COD.	
4	0,01	8330890	200
6	0,02	8330895	

USO CRUCETAS / FOR CROSS BLOCK / POUR NOIX / FÜR KREUZKLEMMEN
 8330215 - 8330216 - 8330217

DISTANCIADOR CRUCETA REFORZADA / REINFORCED CROSS BLOCK SPACER / ÉLOIGNEMENT DE NOIX / KREUZKLEMMEN GETRENTER



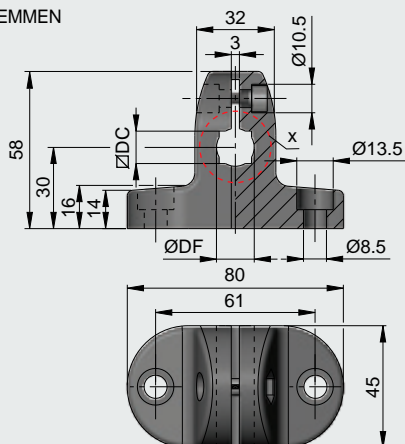
M Poliamida reforzada.
 Reinforced Polyamide.
 Polyamide Renforcé.
 Aus verstärktem Polyamid.

H	Kg	COD.	
8	0,02	8330896	150
10	0,02	8330897	
12	0,02	8330899	

USO CRUCETAS / FOR CROSS BLOCK / POUR NOIX / FÜR KREUZKLEMMEN
 8330215 - 8330216 - 8330217



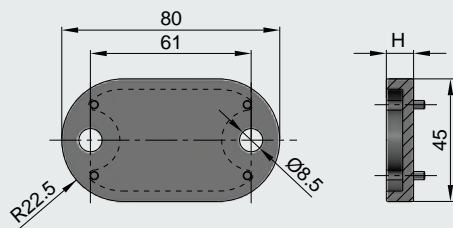
CRUCETA / CROSS BLOCK / NOIX / KREUZKLEMMEN



M Poliamida reforzada, tornillería Acero Inoxidable.
 Reinforced Polyamide, fastener in stainless steel.
 Polyamide Renforcé + Visserie acier inox.
 Aus verstärktem Polyamid, Verschraubungen aus Edelstahl 1.4301.

ØDF	ØDC	Kg	COD.	
14	12	0,09	8330270	20
16	14	0,09	8330271	
18	16	0,09	8330273	
20	18	0,09	8330275	

DISTANCIADOR CRUCETA REFORZADA / REINFORCED CROSS BLOCK SPACER / ÉLOIGNEMENT DE NOIX / KREUZKLEMMEN GETRENTER

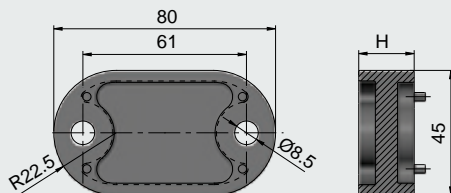


M Poliamida reforzada.
 Reinforced Polyamide.
 Polyamide Renforcé.
 Aus verstärktem Polyamid.

USO CRUCETAS / FOR CROSS BLOCK / POUR NOIX / FÜR KREUZKLEMMEN
 8330270 - 8330271 - 8330273 - 8330275

H	Kg	COD.	
10	0,03	8330901	60

DISTANCIADOR CRUCETA REFORZADA / REINFORCED CROSS BLOCK SPACER / ÉLOIGNEMENT DE NOIX / KREUZKLEMMEN GETRENTER



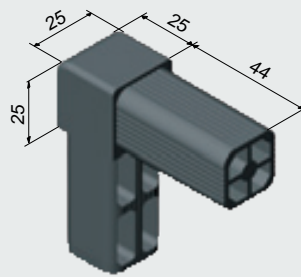
M Poliamida reforzada.
 Reinforced Polyamide.
 Polyamide Renforcé.
 Aus verstärktem Polyamid.

USO CRUCETAS / FOR CROSS BLOCK / POUR NOIX / FÜR KREUZKLEMMEN
 8330270 - 8330271 - 8330273 - 8330275

H	Kg	COD.	
20	0,06	8330905	40



B

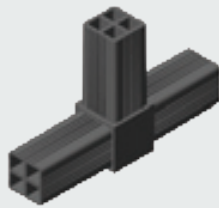


Para tubo }
For tube } $\varnothing 25 \times 25 \times 1,5$ mm.
Pour tube }
Für Rohr }

M Poliamida reforzada.
 Reinforced polyamide.
 Polyamide renforcé.
 Aus verstärktem Polyamid.



TIPO TYPE	Kg	COD.	
A	0,05	7640001	40



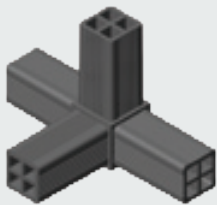
TIPO TYPE	Kg	COD.	
B	0,07	7640002	40



TIPO TYPE	Kg	COD.	
C	0,09	7640003	20



TIPO TYPE	Kg	COD.	
D	0,07	7640004	25



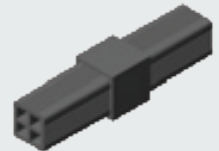
TIPO TYPE	Kg	COD.	
E	0,09	7640005	20



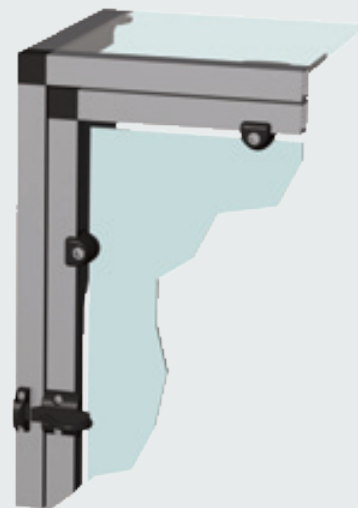
TIPO TYPE	Kg	COD.	
F	0,11	7640006	25



TIPO TYPE	Kg	COD.	
G	0,13	7640007	10



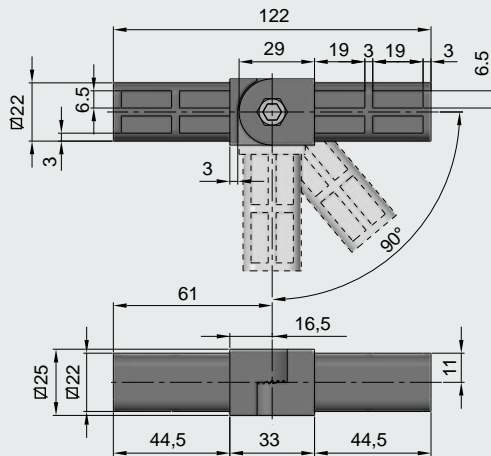
TIPO TYPE	Kg	COD.	
H	0,05	7640008	50



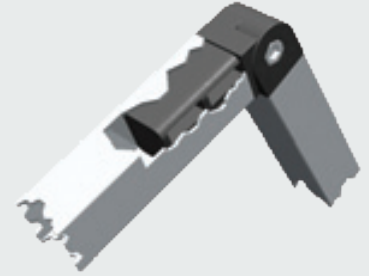
JUNTA DE CONEXIÓN ÁNGULO VARIABLE / VARIABLE ANGLE CONNECTING JOINT /
NOIX DE CONNECTION D'ANGLE VARIABLE / QUERVERBINDER



Para tubo }
For tube } \square 25X25X1,5 mm.
Pour tube }
Für Rohr }

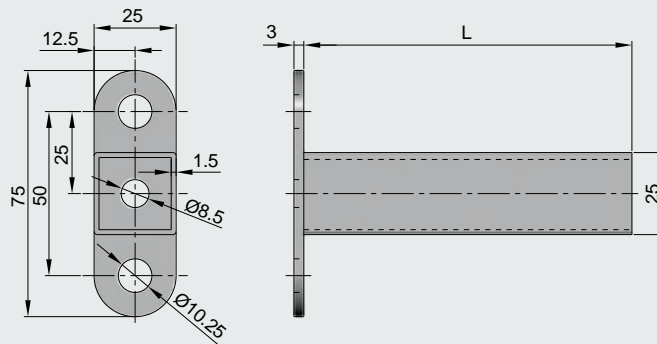
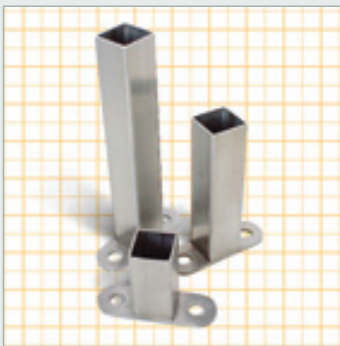


M Poliamida reforzada, tornillería Acero inoxidable.
 Reinforced polyamide, fastener in stainless steel.
 Polyamide renforcé + visserie Acier inox.
 Aus verstärktem Polyamid, Verschraubungen aus Edelstahl 1.4301.

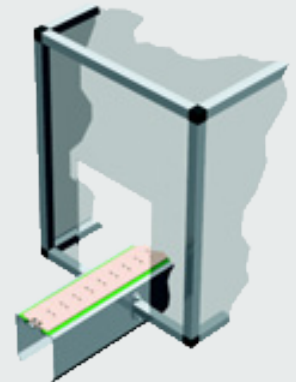


TIPO TYPE	Kg	COD.	
AT	0,12	7645101	30

SOPORTE FIJACIÓN ESTRUCTURA / STRUCTURAL FIXATION SUPPORT /
ELEMENT DE SOUTIEN POUR FIXATION STRUCTURALE / STÜTZBEINE ANSCHLAGUNG

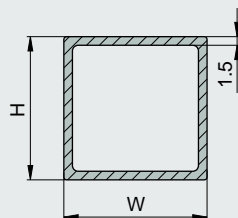
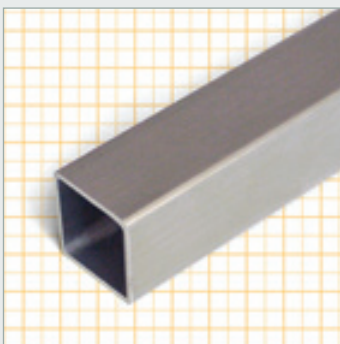


M Acero inoxidable.
 Stainless Steel.
 Acier inoxydable.
 Edelstahl 1.4301.



L	Kg	COD.	
50mm.	0,09	7640405	50
100mm.	0.15	7640410	25
150mm.	0,20	7640415	25

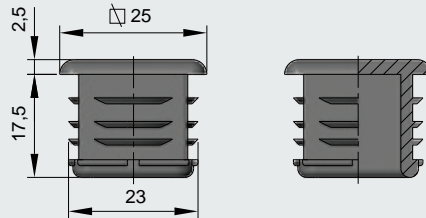
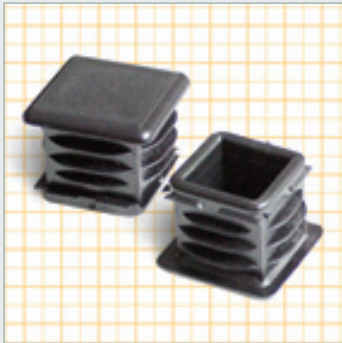
TUBO 25X25X1,5 PARA ESTRUCTURA O PAVIMENTO / 25X25X1,5 STRUCTURE OR PAVEMENT TUBE /
TUBE 25X25X1,5 POUR STRUCTURE OU PAVEMENT / RÖHR 25X25X1,5 FÜR ESTRICH ODER GEFÜGE



M Aluminio anodizado - Acero inoxidable.
 Anodized aluminium - Stainless Steel.
 Aluminium anodisé - Acier inoxydable.
 Eloxiertes Aluminium - Edelstahl.

MAT.	H	W	L	Kg	COD.
AA	25	25	3	1,09	7641215
			6	2,18	7641220
SS	25	25	3	3,21	7641515
			6	6,42	7641520

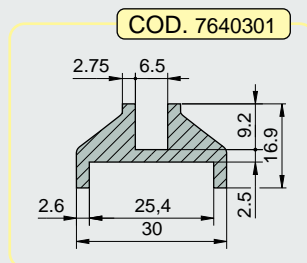
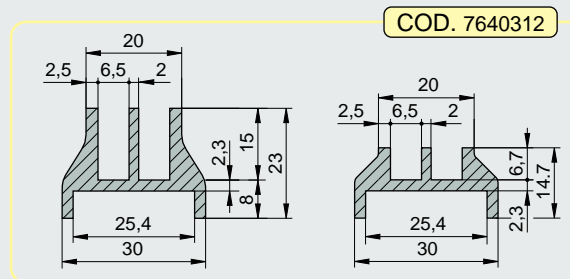
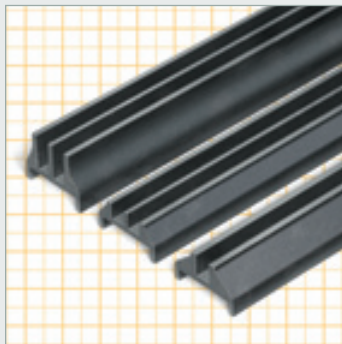
TERMINAL PARA TUBO / TUBE END / EMBUT DE FINITION / VERSCHÖNERUNGS - STOPFEN



- M**
- Polietileno color negro.
 - Polyethylene black colour.
 - Polyéthylène couleur noir.
 - Polyäthylen schwarzes.

Kg	COD.	
0,01	7640110	200

PERFIL PARA CORREDERAS / RUNNER PROFILES / PROFIL POUR GLISSIÈRES / PROFILE FÜR GleITSTÜCK

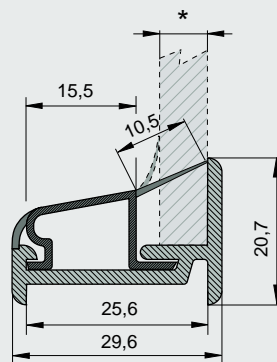
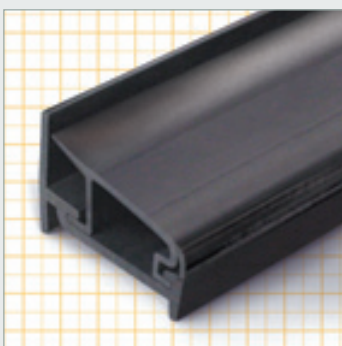


- M**
- Polietileno color negro.
 - Polyethylene black colour.
 - Polyéthylène couleur noir.
 - Polyäthylen schwarzes.

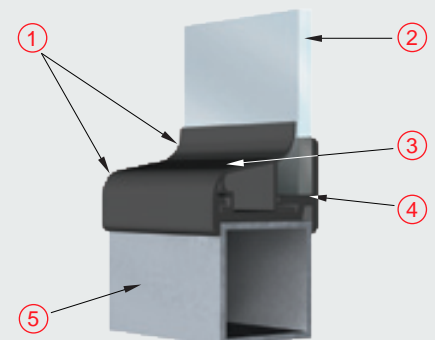


L	Kg	COD.
2	0,85	7640312
2	0,53	7640301

PERFIL PARA TUBO LISO / PROFILE FOR SMOOTH TUBE / PROFIL POUR TUBE LISSE / GLATTROHRPROFIL



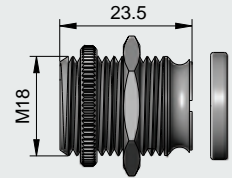
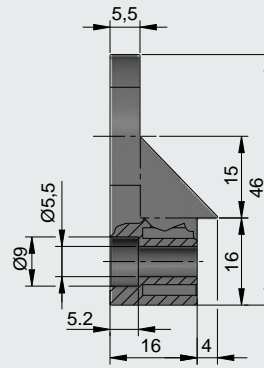
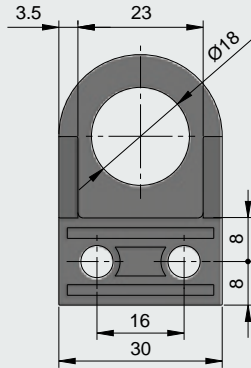
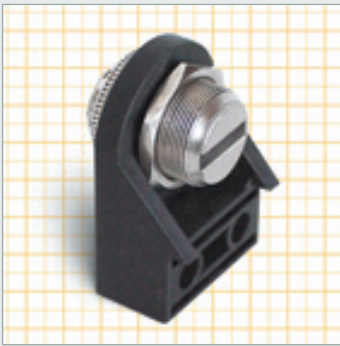
- M**
- PVC. Rígido - Flexible.
 - Rigid - Flexible PVC.
 - PVC. Rigide - Flexible.
 - Steif - flexibles PVC.



- 1) ZONA DE PVC FLEXIBLE / PVC FLEXIBLE AREA / ZONE DE PVC FLEXIBLE / PVC BIEGSAMKEIT
- 2) PANEL / PANEL / PANNEAU / SCHILD
- 3) PERFIL SUPERIOR / UPPER PROFIL / PROFIL SUPÉRIEUR / PROFILE HÖHER
- 4) PERFIL INFERIOR / DOWN PROFIL / PROFIL INFÉRIEUR / UNTER - PROFILE
- 5) TUBO LISO / SMOOTH TUBE / TUBE UNI / GLATTER ROHR

*	L	Kg	COD.
5 < * > 8	3	0,27	7640315

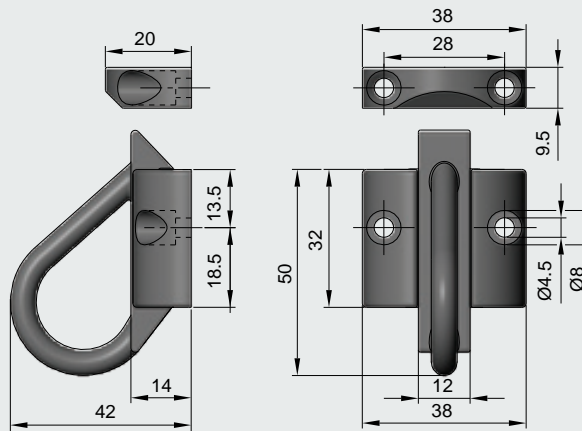
TOPE CIERRA PUERTAS MAGNETICO / MAGNETIC DOORS STOP
SERRURE MAGNETIQUE / MAGNETISCHER TÜRVERSCHLUSS



- M** Poliamida reforzada, + imán regulable.
 Reinforced polyamide + regulable magnet.
 Polyamide renforcé + aimant réglable.
 Aus verstärktem Polyamid und verstellbarem Magnet.

Kg	COD.	
0,06	1411052	50

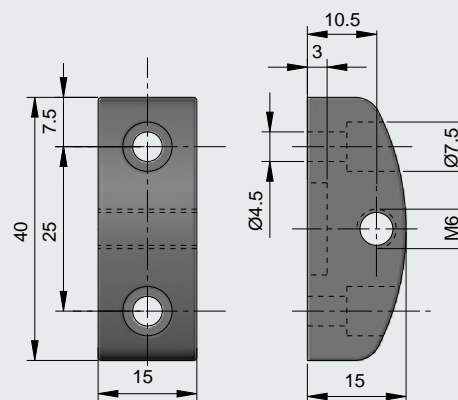
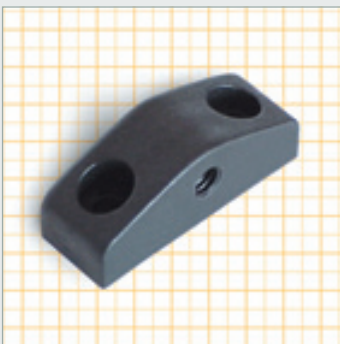
CIERRE CON MUELLE / SPRING LOCK
LOQUET MANUEL / FEDERVERRIEGELUNG



- M** Poliamida reforzada.
 Reinforced polyamide.
 Polyamide renforcé.
 Aus verstärktem Polyamid.

Kg	COD.	
0,01	7640059	25

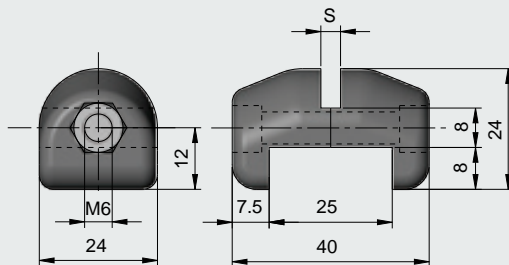
BLOQUEO PARA PANELES / PANEL LOCKING ATTACHMENT
BUTÉE POUR PANNEAUX / FIXIERBLOCK



- M** Poliamida reforzada.
 Reinforced polyamide.
 Polyamide renforcé.
 Aus verstärktem Polyamid.

Kg	COD.	
0,01	7640060	300

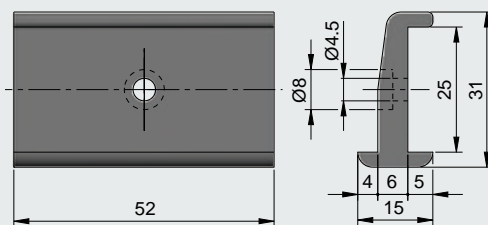
BRIDA PARA PANELES / PANEL CLAMP
BRIDE POUR PANNEAU / PANEELKLEMME



M Poliamida reforzada, tornillería Acero Inoxidable.
 Reinforced Polyamide, fastener in stainless steel.
 Polyamide Renforcé + Visserie acier inox.
 Aus verstärktem Polyamid, Verschraubungen aus Edelstahl 1.4301.

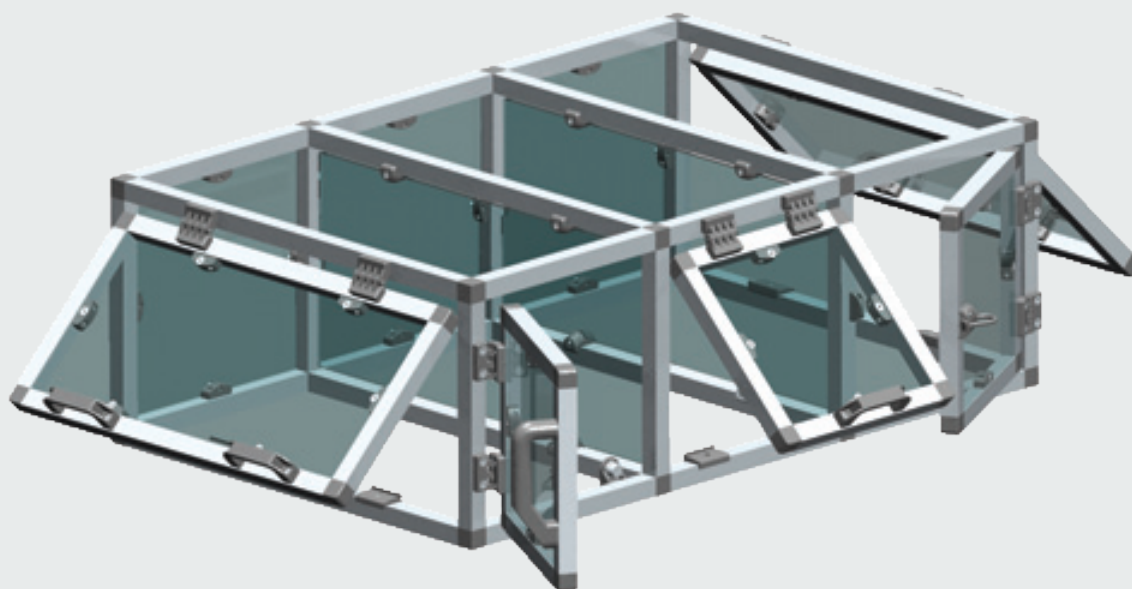
S	Kg	COD.	
4	0,03	7640051	150
5	0,03	7640052	
6	0,03	7640053	

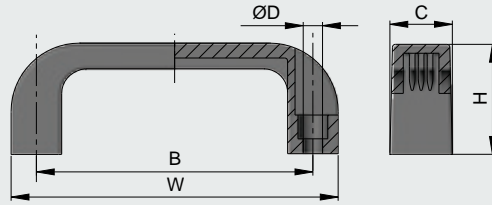
TOPE PARA PUERTAS / STOP FOR HINGED DOORS
BLOCAGE DE PORTES / TÜRSTOPPER



M Poliamida reforzada.
 Reinforced polyamide.
 Polyamide renforcé.
 Aus verstärktem Polyamid.

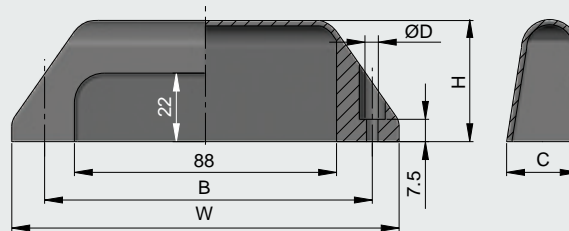
Kg	COD.	
0,01	7640501	150





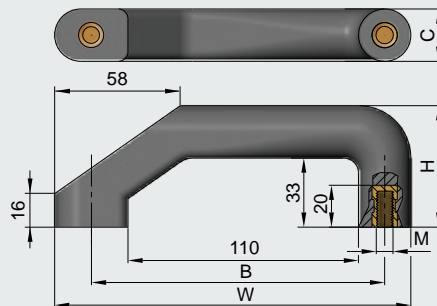
- M** Poliamida reforzada.
 Reinforced polyamide.
 Polyamide renforcé.
 Aus verstärktem Polyamid.

B	W	C	ØD	H	F	Kg	COD.	
94	110	21	Ø6,5	37	-	0,04	7809010	50
116	133	24	Ø9	40	-	0,06	7809011	40
120	139	24	Ø8,5	40	-	0,08	7809012	25
117	140	24	Ø8,5	40	-	0,08	7809013	25
132	149	24	Ø9	40	-	0,09	7809014	25



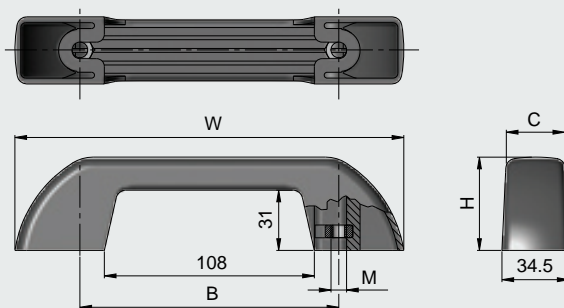
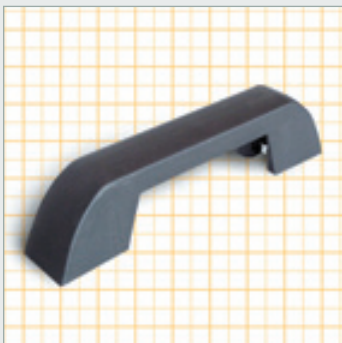
- M** Poliamida reforzada.
 Reinforced polyamide.
 Polyamide renforcé.
 Aus verstärktem Polyamid.

B	W	C	ØD	H	M	Kg	COD.	
109	130	24	Ø6,3	41	-	0,06	7809410	25



- M** Poliamida reforzada, casquillo zinc.
 Reinforced polyamide, bush in zinc.
 Polyamide renforcé, douille en zinc.
 Aus verstärktem Polyamid.
 Gewindebuchse aus zink.

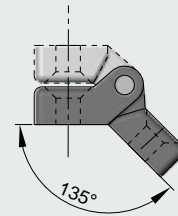
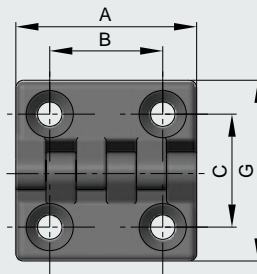
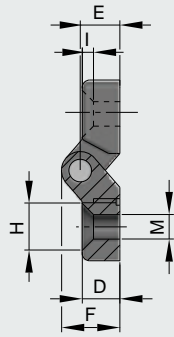
B	W	C	ØD	H	M	Kg	COD.	
140	170	25	-	57	M8	0.17	7809210	15



- M** Poliamida reforzada.
 Reinforced polyamide.
 Polyamide renforcé.
 Aus verstärktem Polyamid.

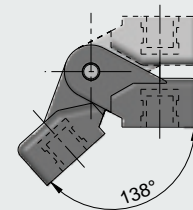
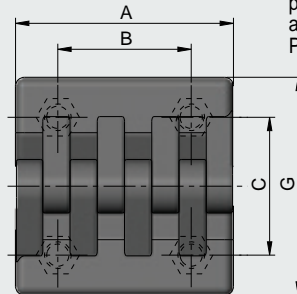
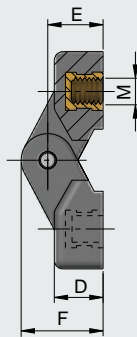
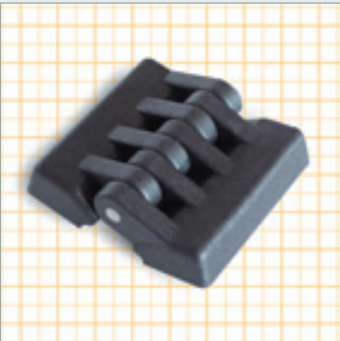
B	W	C	ØD	H	M	Kg	COD.	
133	200	30	-	48	M8	0,11	7809310	10

B



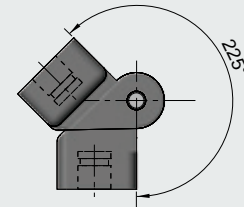
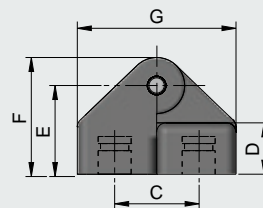
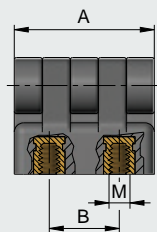
M Poliamida reforzada, eje acero zincado.
 Reinforced Polyamide, pin in zinc plated steel.
 Polyamide renforcé + axe acier zingué .
 Aus verstärktem Polyamid. Stift aus verzinktem Stahl.

A	B	C	D	E	F	G	H	I	M	Kg	COD.	
48	30	30	10	10	15	48	Ø13,5	3	Ø6,5	0,03	7810129	100
64	40	40	13	13	19	64	Ø13,5	3	Ø6,5	0,06	7810130	50
96	60	63	16	17	24	96	Ø16	4,6	Ø8	0,15	7810131	40



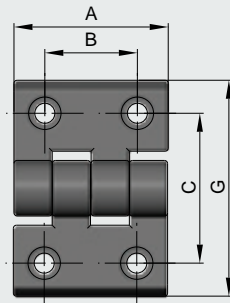
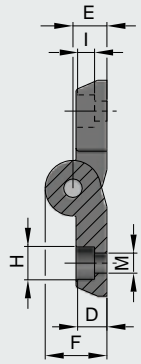
M Poliamida reforzada, eje acero zincado, casquillos latón níquelado.
 Reinforced Polyamide, pin in zinc plated steel, bushes in brass.
 Polyamide renforcé + axe acier zingué, inserts en laiton .
 Aus verstärktem Polyamid. Stift aus verzinktem Stahl, gewindeinsatz

A	B	C	D	E	F	G	H	I	M	Kg	COD.	
49	30	32	11	13	19	49	-	-	M5	0,06	7640208	75
49	30	32	11	13	19	49	-	-	M6	0,06	7640209	

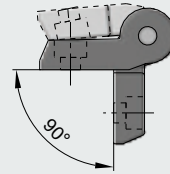


M Poliamida reforzada, eje acero zincado, casquillos latón níquelado.
 Reinforced Polyamide, pin in zinc plated steel, bushes in brass.
 Polyamide renforcé + axe acier zingué, inserts en laiton .
 Aus verstärktem Polyamid. Stift aus verzinktem Stahl, gewindeinsatz aus Messing.

A	B	C	D	E	F	G	H	I	M	Kg	COD.	
30	15	18	11	19	25	36	-	-	M5	0,04	7810110	150
54	30	21	13	22	29	42	-	-	M6	0,05	7810111	50
78	42	31	16	29	40	62	-	-	M8	0,06	7810112	20

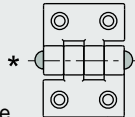


- M** Poliamida reforzada, eje acero inoxidable.
- Reinforced Polyamide, pin in stainless steel.
- Polyamide rinforçé + axe acier inox.
- Aus verstärktem Polyamid. Stift aus Edelstahl 1.4301

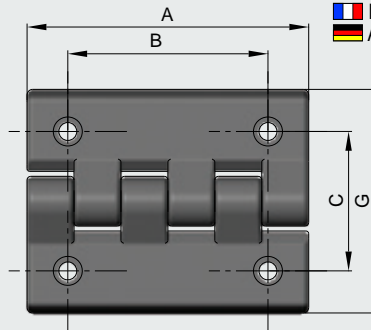
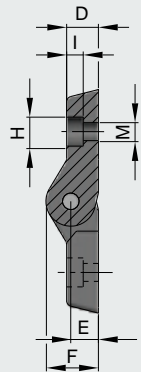


* Reforzada / Reinforced / Renforcé / Verstärktes

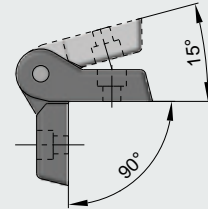
Eje remachado / Riveted pin / Axe riveté / Niet-und nagel-fest Achse



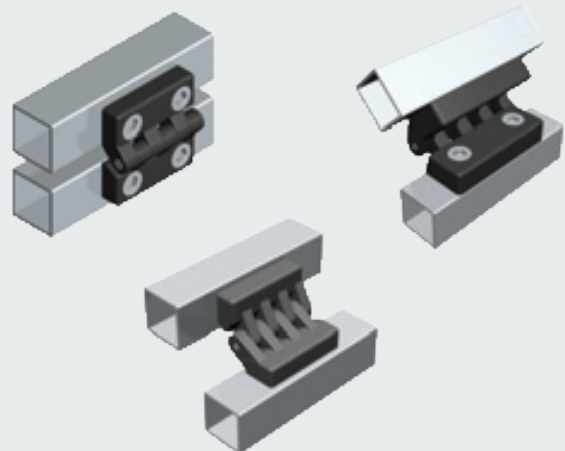
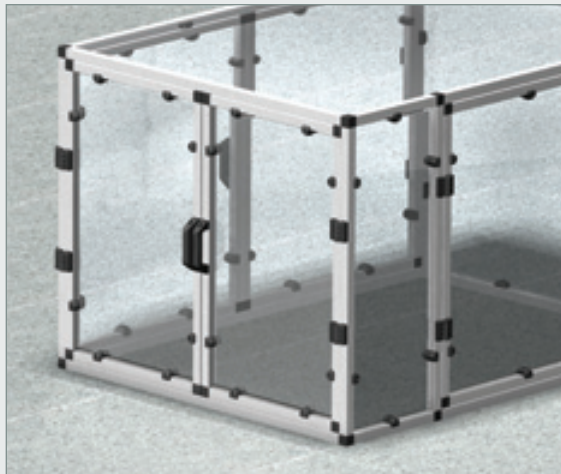
	A	B	C	D	E	F	G	H	I	M	Kg	COD.	
	50	30	46	10	11	20	70	∅10,5	6	∅6,5	0,04	7810210	50
*	50	30	46	10	11	20	70	∅10,5	6	∅6,5	0,04	7810211	
	50	30	46	10	11	20	70	∅13,5	6	∅8,5	0,04	7810212	

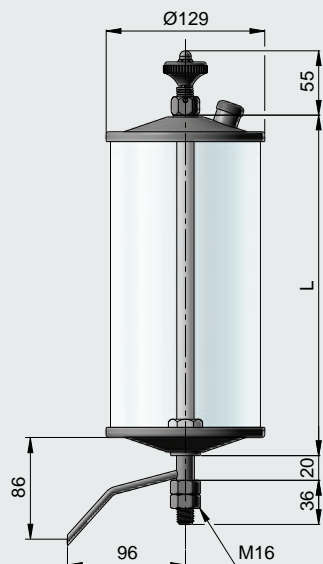


- M** Poliamida reforzada, eje acero inoxidable.
- Reinforced Polyamide, pin in stainless steel.
- Polyamide rinforçé + axe acier inox.
- Aus verstärktem Polyamid. Stift aus Edelstahl 1.4301

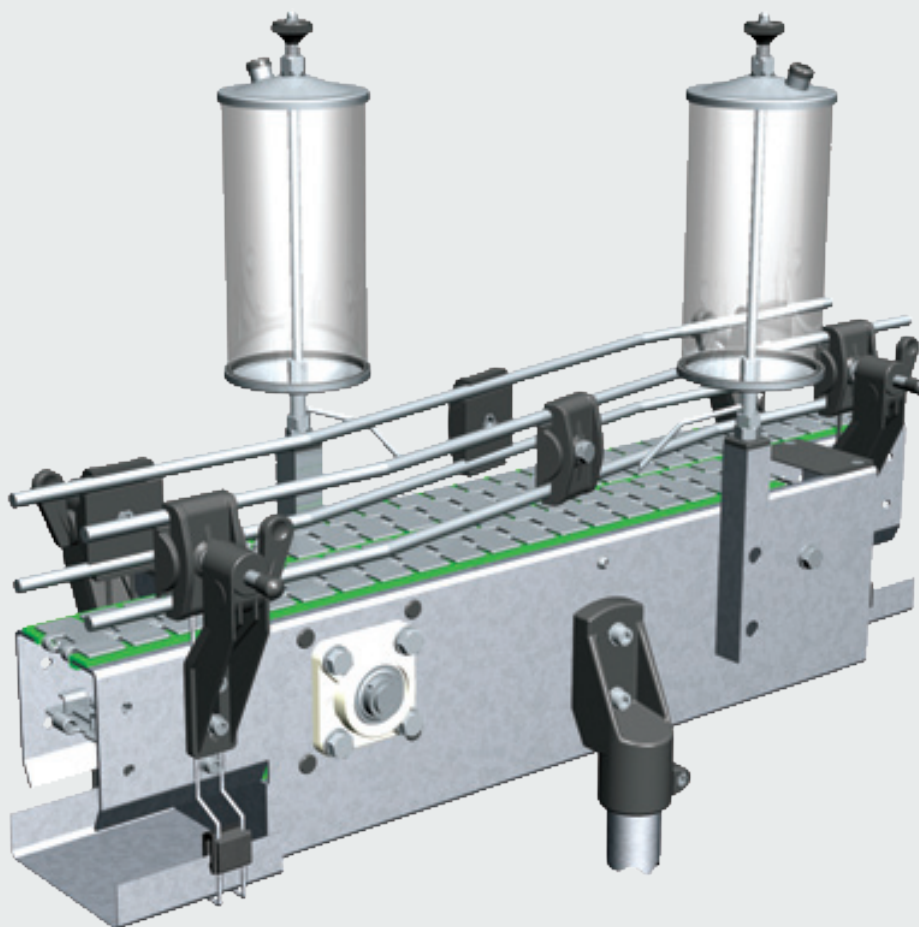


	A	B	C	D	E	F	G	H	I	M	Kg	COD.	
	102	72,5	49,5	11,5	10,5	19	80	∅10,5	6	∅6,5	0,10	7810220	25
	102	72,5	49,5	11,5	10,5	19	80	∅13,5	8	∅8,5	0,10	7810221	



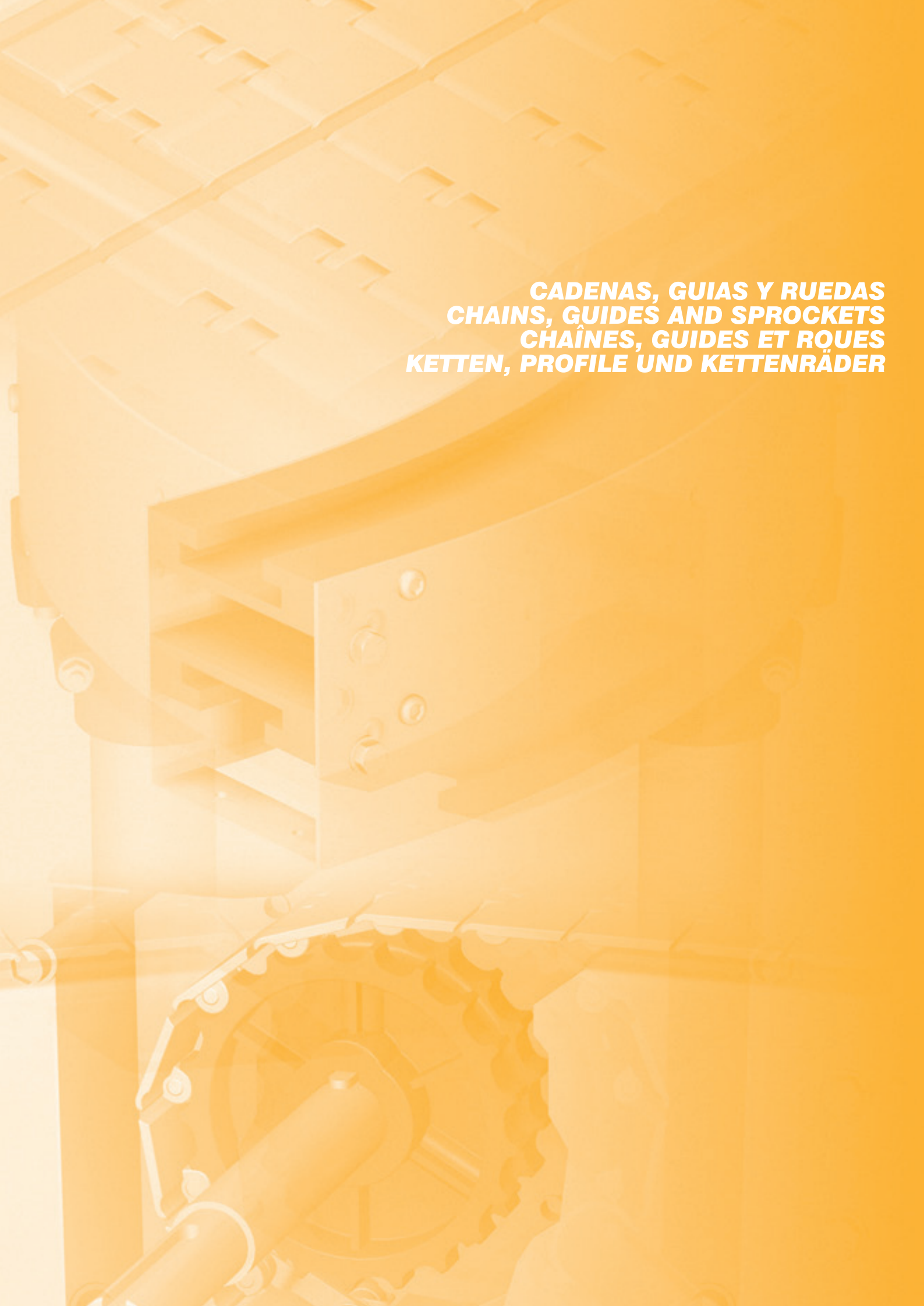


- M** Cuerpo y tornillería Acero inoxidable, tubo metacrilato.
 Head and fastener in stainless steel, tub in metrakilate.
 Corps visserie acier inox, tube en méthacrylate.
 Gehäuse und Verschraubungen aus Edelstahl 1.4301, Sichtrohr aus Methacrylat.

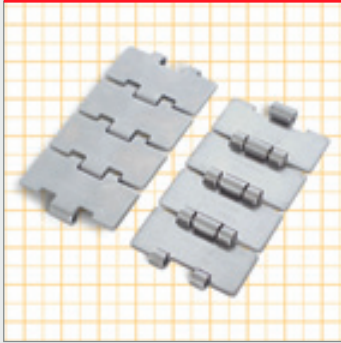


Litros/Liters	L	Kg.	COD.	
1'5	275	0,90	8417387	
2'5	375	1,00	8417389	1
3'5	475	1,20	8417392	

REGULACION DE ENGRASE POR LIMITACION DE ENTRADA DE AIRE. /
 REGULATION REGLABLE PAR LIMITATION D'ENTRÉE D'AIR. /
 GREASER REGULATION BY AIR INTAKE-REDUCTION. /
 (FETT) DOSIERUNG BEI LUFT EINGANG BEGRENZEN.



**CADENAS, GUIAS Y RUEDAS
CHAINS, GUIDES AND SPROCKETS
CHAÎNES, GUIDES ET ROUES
KETTEN, PROFILE UND KETTENRÄDER**



815

C/17

Las cadenas de platillos articuladas tienen su aplicación preferente en plantas embotelladoras, si bien su utilidad se extiende a otros productos, pudiendo utilizarse en diferentes medidas de ancho de platillo.

The main application for articulated plate chains is in bottling plants, although they can also be employed for other products. The plates used may be of different widths.

Les chaînes à palettes articulées sont destinées à l'embouteillage, quoique son utilité s'étend à beaucoup d'autres applications, et est disponible en différentes largeurs.

DIE GELENKPLATTENKETTEN KOMMEN VORNEHMlich IN FLASCHENABFÜLLANLAGEN ZUM EINSATZ, OBWOHL SICH IHR ANWENDUNGSBEREICH AUCH AUF ANDERE PRODUKTE AUSDEHNT, WOBEI DIE PLATTEN IN VERSCHIEDENEN BREITEN VERWENDET KÖNNEN.



8157

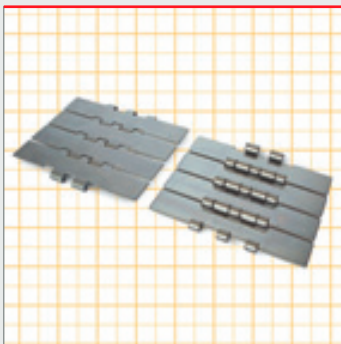
C/18

Cadena en acero inoxidable, de recorrido recto, de una nueva familia de cadenas con bisagra de ancho 57mm.

Straight running Stainless Steel chain, from a 57mm width hinge chains new family.

Chaîne droite en acier inoxydable faisant partie de la nouvelle famille de chaînes à charnière de largeur 57mm.

GERADGÄNGIGE EDELSTAHLKETTE. SCHARNIERBREITE 57 MM.



805

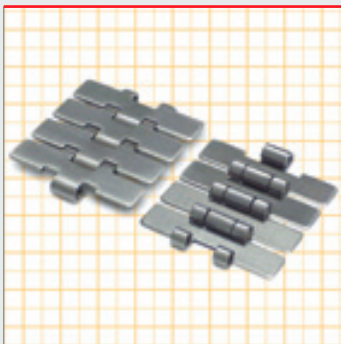
C/18

Cadena de características y materiales similares a la serie 815 pero con doble bisagra y un esfuerzo de tracción considerablemente más alto, lo que permite cargas más grandes y transportadores más largos.

This chain has similar characteristics and materials than 815 series but with a double hinge and considerably greater traction effort enabling it to deal with heavier loads and longer conveyors.

Chaîne de caractéristiques et matériels similaires à la série 815 mais avec une double charnière et un effort de traction considérablement plus élevé, ce qui permet des charges plus importantes et des convoyeurs plus longs.

DIESE KETTE VERFÜGT ÜBER ÄHNLICHE EIGENSCHAFTEN UND MATERIALE WIE DIE SERIE 815, HAT JEDOCH EIN DOPPELTES SCHARNIER UND EINE WEITAUS HÖHERE ANTRIEBSKRAFT, WAS DEN TRANSPORT VON SCHWEREREN LASTEN ÜBER LÄNGERE STRECKEN ERMÖGLICHT.



515

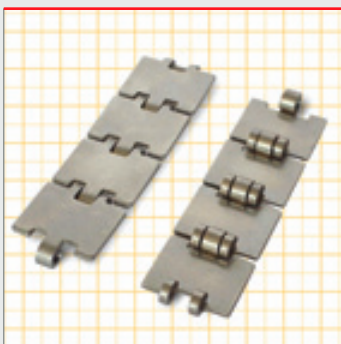
C/19

Cadena de tabillas compacta, de paso 1" que permite utilizar engranajes de menor diámetro y conseguir menos remanentes en el transportador.

Compact 1" pitch slat chain allowing the use of smaller diameter gears and preventing product build-up on conveyor.

Chaîne à palettes compacte, au pas 25,4 mm qui permet utiliser des engranages de plus petit diamètre et limite, l'encombrement des produits au convoyeur.

KOMPAKT BANDKETTE MIT EINER TEILUNG VON 1", DIE DIE VERWENDUNG VON GETRIEBEN MIT KLEINEREM DURCHMESSER ERLAUBT, WODURCH PRODUKTRÜCKSTAUUNGEN AUF DEM FÖRDERBAND WEITGEHEND VERHINDERT WERDEN.



810

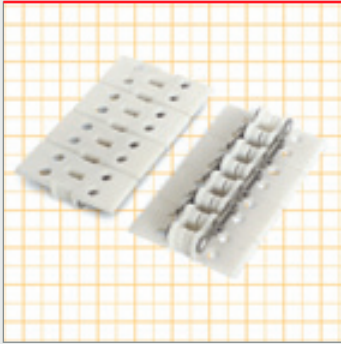
C/19

Cadena de aplicación habitual en la entrada a máquinas de lavar y allí donde se precise cadenas de dimensiones reducidas.

This is the type of chain usually used for feeding washing machines and wherever a small chain is required.

Chaîne de dimension réduite d'application habituelle à l'entrée des laveuses et pour produits légers et peu encombrants.

DIESE KETTE WIRD GEWÖHNLICHERWEISE FÜR DIE ZUFÜHRUNG BEI WASCHMASCHINEN VERWENDET UND ANSONSTEN ÜBERALL DORT, WO KLEINERE KETTEN ERFORDERLICH SIND.



400

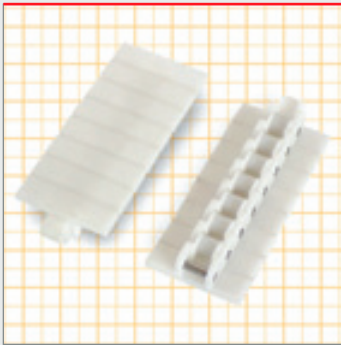
C/20

ES Cadena construida en Acetal y Aisi 304. Cadena reforzada, se construye con los platillos perforados para trabajos especiales.

EN Chain made of Acetal and Aisi 304. This reinforced chain has perforated plates for special uses.

FR Chaîne construite en Acetal et AISI 304. Chaîne renforcée, construite avec des plateaux perforés pour des travail spéciaux.

DE AUS AZETAL UND AISI 304 GEFERTIGTE UND VERSTÄRKTE KETTE. IHRE GELOCHTEN PLATTEN ERMÖGLICHEN DIE ANWENDUNG FÜR SPEZIELLE ZWECKE.



450

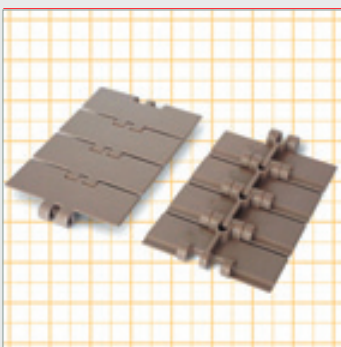
C/20

ES Eslabón acodado, construido en acetal, de acuerdo con las normas ISO. Los ejes construidos en acero inox. AISI 304. La cadena de rodillos con platillos de una sola pieza inyectada tiene una aplicación amplia en todos los campos donde otras cadenas de platillos son excesivamente dimensionadas. La cadena serie 450 puede trabajar con los piñones de tipo "Standard" de las normas ISO.

EN Leant link made in acetal under iso standards. The pins are made of AISI 304 stainless steel. The roller chain is made up of single-piece injected plates and has a wide range of applications wherever other plate chains are too big. The 450 series works with ISO standard other sprockets.

FR Maillon coudé, construit en Acetal, en accord avec les normes ISO. Axes en acier Inox AISI 304. La chaîne de rouleaux avec les plateaux d'une seule pièce injectée a une ample application dans tous les champs où d'autres chaînes de plateaux sont excessivement dimensionnées. La Chaîne de série 450 peut travailler avec les pignons ISO "Standard" .

DE DIESE KETTE MIT ABGEWINKELTEN GLIEDERN AUS AZETAL IST ENTSPRECHEND DEN ISO-NORMEN GEFERTIGT. DIE BOLZEN BESTEHEN AUS EDELSTAHL INOX, AISI 304. DIE ROLLENKETTE, DIE AUS IN EINEM STÜCK EINGESPRITZTEN PLATTEN BESTEHT, FINDET WEITREICHENDE VERWENDUNG IN ALLEN BEREICHEN, WO ANDERE PLATTENKETTEN ZU GROß SIND. DIE KETTEN AUS DER SERIE 450 KÖNNEN MIT STANDARDKETTENRÄDERN GEMÄß DER ISO-NORMEN ZUM EINSATZ GEBRACHT WERDEN.



820

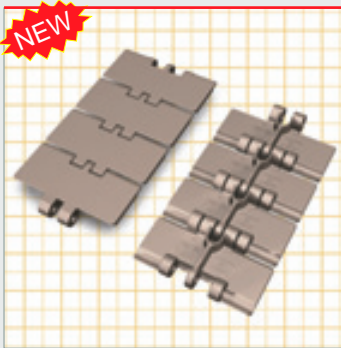
C/21

ES Cadena de resina acetálica, que por ser su diseño compacto en su zona de contacto con el producto, forma un camino completamente liso. Ello unido a los materiales de muy baja fricción utilizados, permite transportar botellería, botes metálicos, ..., a altas velocidades sin que sufran fricción ni saltos. Se puede prescindir en muchos casos de lubricación.

EN An Acetal resin chain whose compact design in the product contact area provides a complete smooth pathway. This, together with the low-friction materials employed in its construction, ensures that bottles and metal cans are able to be transported at high speeds without any friction or bumps. In many cases no lubrication is required.

FR Chaîne de résine acetal, avec son dessin compact dans sa zone de contact avec le produit, forme une surface complètement lisse et sans jeu. Unie aux matériaux de très bas frottements elle permet de transporter bouteilles, boîtes métalliques et beaucoup d'autres produits à grandes vitesses sans qu'ils souffrent de frottement ou de rebonds. On peut se passer dans beaucoup de cas sans lubrification.

DE KETTE AUS AZETALHARZ, DIE AUFGRUND IHRER KOMPAKTEN FORM INNERHALB DE PRODUKTAUFLAGEFLÄCHE EINEN VÖLLIG GLATTEN FÖRDERWEG BIETET. DIESER ASPEKT ERMÖGLICHT ZUSAMMEN MIT DEN VERWENDETEN SEHR REIBUNGSARMEN MATERIALIEN DEN TRANSPORT VON FLASCHEN UND METALLDOSEN BEI HOHER GESCHWINDIGKEIT, OHNE DAß DIESE DURCH REIBUNG ODER STÖßE BESCHÄDIGT WERDEN. IN VIELEN FÄLLEN KANN AUF EINE SCHMIERUNG VERZICHTET WERDEN.



831

C/21

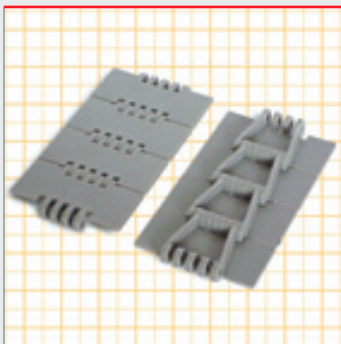
- Variante de la serie 820. El espesor de 4,8mm. le permite trabajar en condiciones mas difíciles.
- 820 series chain variant. Its 4,8mm thickness allows it working under more difficult conditions.
- Variante de la série 820. Son épaisseur de 4,8mm lui permet de travailler dans des conditions plus difficiles.
- GERADGÄNGIGE KUNSTSTOFFKETTE. DIE ERHÖHTE PLATTENSTÄRKE VON 4,8 MM ERLAUBT DEN EINSATZ UNTER SCHWIERIGEN BEDINGUNGEN.



828

C/22

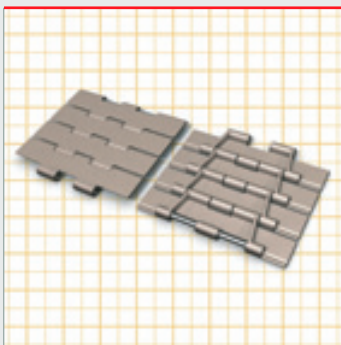
- Cadena de recorrido recto, con bisagra muy compacta y reforzada. Usa los mismos engranajes y curvas que la serie 880.
- Straight running chain with reinforced & compact hinge. Using same sprockets and guides than series 880.
- Chaîne droite avec charnière renforcé et compacte utilisant les mêmes engrenages et guidages que la série 880.
- GERADGÄNGIGE KUNSTSTOFFKETTE. VERSTÄRKTE AUSFÜHRUNG.



900

C/22

- Similar a la serie 820. Se compone de eslabones compactos unidos entre sí. Debido a su gran número de bisagras tiene un 20% más de carga de trabajo. Bajo pedido puede fabricarse en otros materiales.
- Similar to the 820 series. Made up of compact, interconnected links, its due to large number of hinges it can handle a 20% higher workload. Can also be supplied in other materials on request.
- Similaire à la série 820. Composée par maillons compacts unis entre eux. Étant donné son grand nombre de charnières, la charge de rupture est augmentée un 20%. Sous demande, peut se fabriquer avec autres matériaux.
- ÄHNLICH DER SERIE 820. BESTEHEND AUS KOMPAKTEN UNTEREINANDER BEFESTIGTEN KETTENGLIEDERN. AUFGRUND DER GROßEN ANZAHL VON SCHARNIEREN BESITZT DIESE KETTE EINE 20%IG HÖHERE GEBRAUCHSLAST. SIE KANN AUF ANFRAGE AUCH AUS ANDEREM MATERIAL GEFERTIGT WERDEN.



821

C/23

- De características similares a la serie 820 pero con una triple bisagra de 136 mm, la cual le confiere una carga de trabajo muy superior. Su anchura permite formar cintas para llevar grandes y pesadas cargas.
- This chain has similar characteristics to the 820 series but with a triple 136 mm. hinge which enables it to deal with a much higher workload. Its width permits the construction of chains capable of carrying large and heavy loads.
- De caractéristiques similaires à la série 820 mais à triple charnière. Accepte une charge de travail plus importante. Sa largeur permet de former des tapis transportant grandes et pesantes charges. Cettes chaînes sont renforcées par des nervures en-dessous de ses palettes.
- DIESE KETTE VERFÜGT ÜBER ÄHNLICHE EIGENSCHAFTEN WIE SERIE 820, IST JEDOCH MIT EINEM DREIFACHEN SCHARNIER VON 136 MM AUSGESTATTET, WODURCH EINE ERHEBLICH HÖHERE GEBRAUCHSLAST ERMÖGLICHT WIRD. IHRE BREITE ERLAUBT DIE ZUSAMMENSETZUNG VON BÄNDERN FÜR DIE BEFÖRDERUNG VON GROßEN UND SCHWEREN LASTEN.

NEW



8257

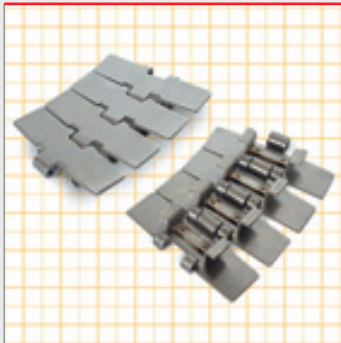
C/23

ES Cadena termoplástica de recorrido recto, de la misma familia de cadenas con bisagra de ancho 57mm.

UK Straight running thermoplastic chain from same family than 57 mm width hinge chains.

FR Chaîne thermoplastique faisant partie de la même famille de chaîne à charnière de 57mm de largeur.

DE GERADGÄNGIGE KUNSTSTOFFKETTE. SCHARNIERBREITE 57 MM .



881 -O TAB

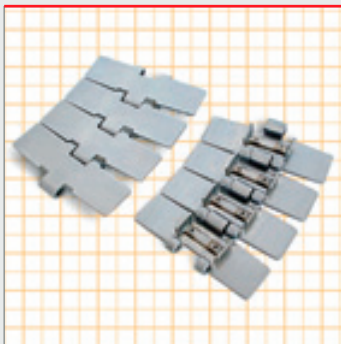
C/25

ES Cadena de características similares a la serie 815, pero diseñada para ser utilizada en transportadores curvos.

UK This chain has similar characteristics than 815 series but is designed to be used on curved conveyors.

FR Chaîne de caractéristiques similaires à la série 815, mais a en plus l'avantage de la flexion latérale, elle permet le transport en angle sans l'utilisation de plateaux tournants.

DE DIESE KETTE VERFÜGT ÜBER ÄHNLICHE EIGENSCHAFTEN WIE DIE SERIE 815, IST JEDOCH SPEZIELL FÜR DEN EINSATZ BEI KERVENGÄNGIGEN FÖRDERBÄNDERN GEDACHT.



881 -O

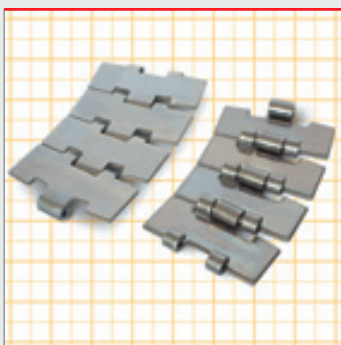
C/25

ES Cadena de características y materiales similares a la serie 815, pero diseñada para ser utilizada en transportadores curvos.

UK This chain has similar characteristics and materials than 815 series but is designed to be used on curved conveyors.

FR Chaîne de caractéristiques et matériels similaires à la série 815, mais dessinée pour être utilisée dans convoyeurs courbes avec son système de queues d'aronde pour le maintien dans les courbes. À facil entretien car la chaîne peut être soulevée du guidage.

DE DIESE KETTE VERFÜGT ÜBER ÄHNLICHE EIGENSCHAFTEN UND MATERIALE WIE DIE SERIE 815, IST JEDOCH SPEZIELL FÜR DEN EINSATZ BEI KURVENGÄNGIGEN FÖRDERBÄNDERN GEDACHT.



881 M

C/26

ES A diferencia de las series 881 TAB y 881, esta cadena no lleva ningún aditivo posterior y la cadena queda sujeta a las curvas del transportador gracias a los imanes insertados en éstas. Esta cadena no se puede suministrar en calidad austenítica (18/8)

UK Unlike the 881 and 881 TAB series, this chain has nothing on the back and is held on to the conveyor's curved sections by magnets. It's not available in austenitic grade (18/8)

FR A la différence des séries 881 TAB et 881, cette chaîne ne comporte aucun additif postérieur et la chaîne reste soumise aux courbes du transporteur grâce aux aimants inserés dans celle-ci. Cette chaîne ne peut être fournie en qualité INOX 18/8

DE IM UNTERSCHIED ZU DEN SERIE 881 TAB UND 881 VERFÜGT DIESE KETTE ÜBER KEIN RÜCKSEITIGES ZUSATZTEIL. SIE WIRD IN DEN KURVEN DES FÖRDERBANDES DURCH DIE EINGESETZTEN MAGNETE HEHALTEN. DIE KETTE IST NICHT IN AUSTENITISCHER QUALITÄT (18/8) LIEFERBAR.



8857 M

C/26

🇪🇸 Cadena en acero inoxidable, de recorrido curvo de la misma familia de cadenas con bisagra de ancho 57mm .

🇬🇧 Side flexing Stainless Steel chain, from 57mm width hinge chains family.

🇫🇷 Chaîne à flexion latérale en acier inoxydable faisant partie de la famille de chaînes à charnière de 57mm de largeur.

🇩🇪 KURVENGÄNGIGE EDELSTAHLKETTE FÜR MAGNETSYSTEM MIT SCHARNIERBREITE 57 MM.



880 TAB

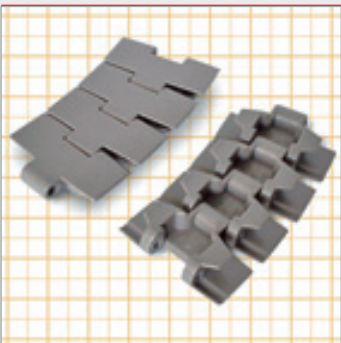
C/27

🇪🇸 Cadena termoplástica de giro lateral, guías tipo TAB. La sujeción en la curva se consigue por mediación de las aletas, siendo su superficie compacta. Va sujeta en todo el recorrido del transporte.

🇬🇧 Side-flexing thermoplastic chain with TAB-type guides. It's fastened at the curve means of flaps, Its compact surface ensures that it is correctly held in position throughout the entire length of the conveyor.

🇫🇷 Chaîne thermoplastique à flexion type TAB. la forme TAB élimine les risques de soulèvement de la chaîne et empêche le renversement des produits dans les parties courbes. La surface compacte assurera tout au long du parcours du transport.

🇩🇪 THERMOPLASTISCHE KETTE MIT SEITLICHER WENDUNG UND FÜHRUNGSRINNE AUS DER BAURREIHE TAB. DIE KETTE WIRD IN DEN KURVEN MITTELS SOGENANNTER FLÜGEL GEHALTEN, WOBEI DIE KOMPAKTE OBERFLÄCHE DEN KORREKTEN HALT ÜBER DIE GESAMTE FÖRDERSTRECKE GEWÄHRLEISTET.



879 TAB

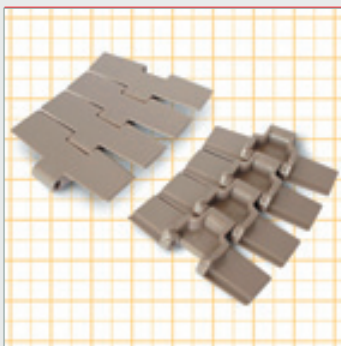
C/27

🇪🇸 Cadena termoplástica de giro lateral, guías tipo TAB. La sujeción en la curva se consigue por mediación de las aletas, siendo su superficie compacta. Va sujeta en todo el recorrido del transporte. El espesor de 4,8mm. le permite trabajar en condiciones mas difíciles.

🇬🇧 Side-flexing thermoplastic chain with TAB-type guides. It's fastened at the curve means of flaps. Its compact surface ensures that it is correctly held in position throughout the entire length of the conveyor. Its 4,8mm. thickness allows it to work under more difficult conditions.

🇫🇷 Chaîne thermoplastique à flexion type TAB. La forme TAB élimine les risques de soulèvement de la chaîne et empêche le renversement des produits dans les parties courbes. La surface compacte assurera tout au long du parcours du transport. L'épaisseur de 4,8mm le permet travailler en conditions plus difficiles.

🇩🇪 THERMOPLASTISCHE KETTE MIT SEITLICHER WENDUNG UND FÜHRUNGSRINNE AUS DER BAURREIHE TAB. DIE KETTE WIRD IN DEN KURVEN MITTELS SOGENANNTER FLÜGEL GEHALTEN, WOBEI DIE KOMPAKTE OBERFLÄCHE DEN KORREKTEN HALT ÜBER DIE GESAMTE FÖRDERSTRECKE GEWÄHRLEISTET. DIE GRÖßERE PLATTENDICKE DER SERIE 880TAB MIT 4,8 MM, ERLAUBT DIESE KETTE AUF SCHWERIGER BEDINGE ARBEITEN.



880

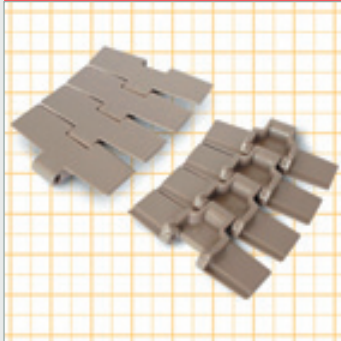
C/28

🇪🇸 Cadena termoplástica de giro lateral con 2 nervios cónicos fundidos de la misma pieza, su superficie es compacta ajustándose en la curva por los nervios cónicos pudiendo ser examinada en las líneas rectas.

🇬🇧 Side-flexing thermoplastic chain with two cast ribs in each piece ensuring its compact surface adjusts to the shape of the curve. Can be examined in straight parts.

🇫🇷 Chaîne thermoplastique à flexion latérale avec deux nerfs côniques fondus dans la même pièce, sa surface est compacte s'ajustant à la courbe de même dimension que nos chaînes série 881 en ACIER INOX pouvant donc s'utiliser sur les mêmes guides.

🇩🇪 THERMOPLASTISCHE KETTE MIT SEITLICHER WENDUNG UND ZWEI AUS JEWEILS EINEM STÜCK GEGOSSENEN KEGELFÖRMIGEN RIPPEN, DIE GEWÄHRLEISTEN, DAß SICH DIE KOMPAKTE OBERFLÄCHE AN DIE KURVEN DES FÖRDERBANDES ANTABT. DIE ÜBERPRÜFUNG IST AUF DEN GERADEN FÖRDERSTRECKEN MÖGLICH.



879

C/28

DE Cadena termoplástica de giro lateral con 2 nervios cónicos fundidos de la misma pieza, su superficie es compacta ajustándose en la curva por los nervios cónicos pudiendo ser examinada en las líneas rectas. El espesor de 4,8mm. le permite trabajar en condiciones más difíciles.

UK Side-flexing thermoplastic chain with two cast ribs in each piece ensuring its compact surface adjusts to the shape of the curve. Can be examined in straight parts. Its 4,8mm thickness allows it to work under more difficult conditions.

FR Chaîne thermoplastique à flexion latérale avec deux nerfs côniques fondus dans la même pièce, sa surface est compacte s'ajustant à la courbe de même dimension que nos chaînes série 881 en ACIER INOX pouvant donc s'utiliser sur les mêmes guidages. L'épaisseur de 4,8mm le permet travailler en conditions plus difficiles.

DE THERMOPLASTISCHE KETTE MIT SEITLICHER WENDUNG UND ZWEI AUS JEWEILS EINEM STÜCK GEGOSSENEN KEGELFÖRMIGEN RIPPEN, DIE GEWÄHRLEISTEN, DAß SICH DIE KOMPAKTE OBERFLÄCHE AN DIE KURVEN DES FÖRDERBANDES ANTABT. DIE ÜBERPRÜFUNG IST AUF DEN GERADEN FÖRDERSTRECKEN MÖGLICH. DIE GRÖßERE PLATTENDICKE DER SERIE 880 MIT 4,8MM, ERLAUBT DIESE KETTE AUF SCHWERIGER BEDINGE ARBEITEN.



880 M

C/29

DE A diferencia de las series 880 TAB y 880, esta cadena no lleva ningún aditivo posterior y la cadena queda sujeta a las curvas del transportador gracias a los imanes insertados en éstas.

UK Unlike 880 and 880 TAB series, this chain has nothing on the back and is held on conveyor's curved sections by magnets.

FR A la différence des séries 880 et 880 TAB, cette chaîne ne comporte aucun additif postérieur et la chaîne reste soumise aux courbes du transporteur grâce aux aimants insérés dans celle-ci.

DE KURVENGÄNGIGE KUNSTSTOFFKETTE FÜR MAGNETSYSTEM OHNE NIEDERHALTER.



879 M

C/29

DE Variante de la serie 880 M. El espesor de 4,8mm. le permite trabajar en condiciones mas difíciles.

UK 880 M series chain variant. Its 4,8mm. thickness allows it working under more difficult conditions.

FR Variante de la série 880. Son épaisseur de 4,8mm lui permet de travailler dans des conditions plus difficiles.

DE KURVENGÄNGIGE KUNSTSTOFFKETTE FÜR MAGNETSYSTEM OHNE NIEDERHALTER. DIE ERHÖHTE PLATTENSTÄRKE VON 4,8 MM ERLAUBT DEN EINSATZ UNTER SCHWIERIGEN BEDINGUNGEN.



880 R

C/30

SISTEMA EXTRA-FLEX

DE Son innumerables las ventajas de la cadena EXTRA-FLEX en el momento de estudiar, diseñar y construir un transportador en el que predominan los circuitos curvilíneos.

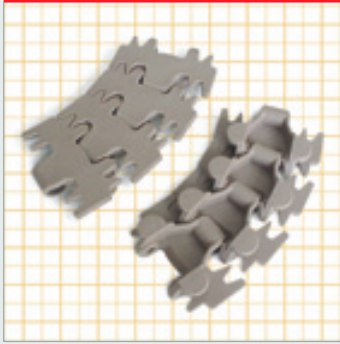
El SISTEMA EXTRA-FLEX, nos permite TRACCIONAR la cadena desde puntos intermedios en cualquier instalación de transporte con una potencia muy inferior a la que necesitaríamos en otros transportadores convencionales. Según el caso podemos ampliar también al máximo nivel la cantidad de pequeñas motorizaciones, lo cual representa un ahorro en la construcción de la maquinaria y en el consumo de energía.

El SISTEMA EXTRA-FLEX, alarga de forma muy notable la propia vida de la cadena gracias al reparto de las tensiones tanto en los puntos de tracción como en el resto del transportador.

El SISTEMA EXTRA-FLEX nos permite la construcción de pulmones de acumulación de varios niveles con una o varias motorizaciones dentro de una estructura sencilla y a la vez segura.

EXTRA-FLEX SYSTEM

UK The EXTRA-FLEX chain has numerous advantages when it comes to studying, designing and building a conveyor where curves predominate. The EXTRA-FLEX SYSTEM allows us to "TRACTION" the chain at any intermediate point on the conveyor installation using far less power than would be required by any conventional conveyor. Depending on the particular circumstances, we can maximize the number of mini-motorizations with the corresponding savings in the construction of the machinery and subsequent energy consumption. The EXTRA-FLEX SYSTEM considerably prolongs the chain's working life by spreading the tension among the different traction points and throughout the rest of the conveyor. The EXTRA-FLEX SYSTEM allows us to construct multi-level accumulation lungs with one or more motorizations within a simple, reliable structure.



889 TAB

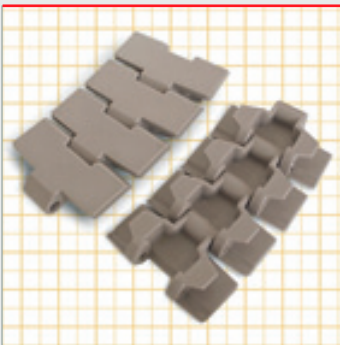
C/30

ES Cadena termoplástica de giro lateral. Variante de la serie 880R. Trabaja con los mismos engranaje, curvas y discos. La superficie de trabajo se ha optimizado para aumentar la estabilidad de los productos transportados.

UK Side-flexing thermoplastic chain. It's a variant of series 880R. Works out with same gearing, curves and discs. Its working surface has been optimized in order to increase the stability of the carrying products.

FR Chaîne thermoplastique à flexion latérale type TAB. C'est une variante de la série 880R. Travaille avec des mêmes engrenages, courbes et disques. La surface de travail a été optimisée pour augmenter la stabilité des produits transportés.

DE THERMOPLASTISCHE KETTE MIT SEITLICHER WENDUNG. ES IST EIN WECHSEL ÜBER SERIE 880R. DIESE KETTE ARBEITE MIT DIE KURVEN, VERZÄHNUNGEN UND SCHEIBEN WIE SERIE 880R. SEINE ARBEITERFLÄCHE VERTREFFLICH IST FÜR DIE TEILE BEFÖRDERN DER BESTE FESTIGKEIT HABEN.



887 TAB

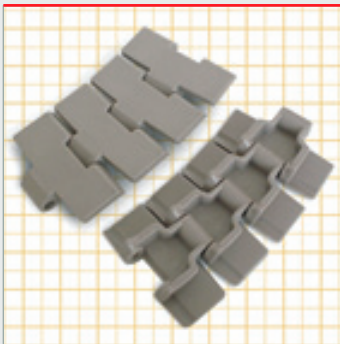
C/31

ES Cadena termoplástica de giro lateral. Usa los mismos engranajes y curvas que la serie 880 TAB. El espesor de 8,7mm. le permite trabajar en condiciones más difíciles.

UK Side-flexing thermoplastic chain. Uses same gearing and curves than series 880 TAB. Its 8,7 mm thickness allows it to work under more difficult conditions.

FR Chaîne thermoplastique à flexion type TAB. Utilise des mêmes engrenages et courbes que la série 880 TAB. L'épaisseur de 8,7 mm le permet travailler en conditions plus difficiles.

DE THERMOPLASTISCHE KETTE MIT SEITLICHER WENDUNG. DIE KURVEN UND VERZÄHNUNGEN GEBRAUCHEN WIE DER SERIE 880 TAB SEIN. DIE GRÖßERE PLATTENDICKE DER SERIE 887TAB MIT 8,7 MM, ERLAUBT DIESE KETTE AUF SCHWERIGE BEDINGE ARBEITEN.



887

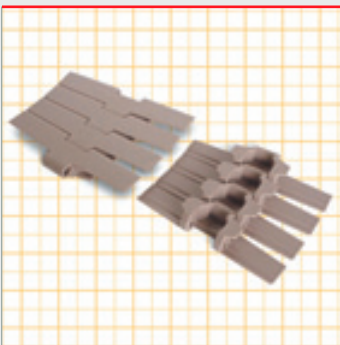
C/31

ES Cadena termoplástica de giro lateral. Usa los mismos engranajes y curvas que la serie 880. El espesor de 8,7mm. le permite trabajar en condiciones más difíciles.

UK Side-flexing thermoplastic chain. Uses same gearing and curves than series 880. Its 8,7 mm thickness allows it to work under more difficult conditions.

FR Chaîne thermoplastique à flexion latérale. Utilise des mêmes engrenages et courbes que la série 880. L'épaisseur de 8,7 mm le permet travailler en conditions plus difficiles.

DE THERMOPLASTISCHE KETTE MIT SEITLICHER WENDUNG. DIE KURVEN UND VERZÄHNUNGEN GEBRAUCHEN WIE DER SERIE 880 SEIN. DIE GRÖßERE PLATTENDICKE DER SERIE 887 MIT 8,7 MM, ERLAUBT DIESE KETTE AUF SCHWERIGER BEDINGE ARBEITEN.



882 TAB

C/32

ES Similar a la serie 880 TAB pero con bisagra reforzada pudiendo triplicar la carga de trabajo.

UK Similar to the 880 TAB series but with reinforced hinges allowing the workload to be tripled.

FR Similaire à la série 880 TAB mais avec des charnières renforcées pouvant tripler la charge du travail. L'épaisseur des plateaux est de 5mm au lieu de 4 mm dans la série 880 TAB. Disponible uniquement avec pattes équerres TAB.

DE ÄHNLICH DER SERIE 880 TAB, JEDOCH MIT VERSTÄRKTEM SCHARNIER, WODURCH EINE VERDREIFACHUNG DER GEBRAUCHSLAST ERREICHT WIRD.



NEW

882 M

C/32

ES Cadena de la misma familia de cadenas con bisagra de ancho 57mm. A diferencia de las series 882 TAB y 882, esta cadena no lleva ningún aditivo posterior y la cadena queda sujeta a las curvas del transportador gracias a los imanes insertados en éstas.

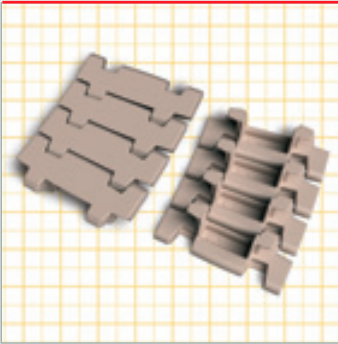
UK Side flexing thermoplastic chain from same family than 57 mm width hinge chains. Unlike 882 and 882 TAB series, this chain has nothing on the back and is held on conveyor's curved sections by magnets.

FR Chaîne à flexion latérale en acier inoxydable faisant partie de la nouvelle famille de chaînes à charnière de largeur 57 mm. A la différence des séries 882 et 882 TAB, cette chaîne ne comporte aucun additif postérieur et la chaîne reste soumise aux courbes du transporteur grâce aux aimants insérés dans celle-ci.

DE KURVENGÄNGIGE KUNSTSTOFFKETTE FÜR MAGNETSYSTEM OHNE NIEDERHALTER .

C/33

7253 TAB



ES Cadena de platillos que complementa a la cadena de banda recta 9253 utilizando el mismo tipo de ruedas. Eje acero inoxidable.

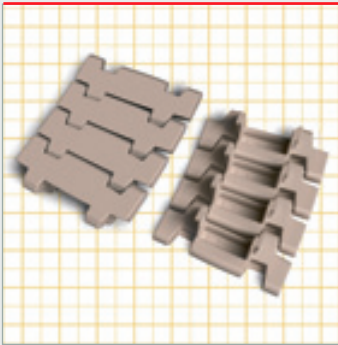
UK Table top chain with stainless steel pins that complements straight modular belt series 9253 and uses same gearing.

FR Chaîne à palettes avec des axes en acier inox. Complémente le tapis modulaire 9253 et utilise les mêmes engrenages

DE Gelenkplattenkette mit Edelstahl Spindel. Die Verzahnungen gebrauchen wie der Serie 9253 sind.

C/33

7253



ES Cadena de platillos que complementa a la cadena de banda recta 9253 utilizando el mismo tipo de ruedas. Eje acero inoxidable.

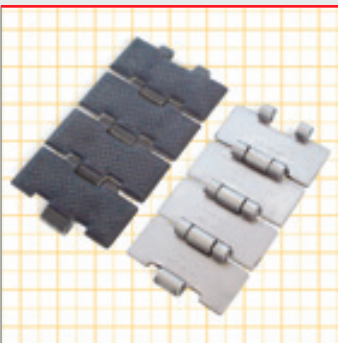
UK Table top chain with stainless steel pins that complements straight modular belt series 9253 and uses same gearing.

FR Chaîne à palettes avec des axes en acier inox. Complémente le tapis modulaire 9253 et utilise les mêmes engrenages

DE Gelenkplattenkette mit Edelstahl Spindel. Die Verzahnungen gebrauchen wie der Serie 9253 sind.

C/35

815 G



ES Cadena con vulcanizado antideslizante en su parte superior que permite utilizar un plano inclinado, para el transporte de cajas, paquetería, etc...

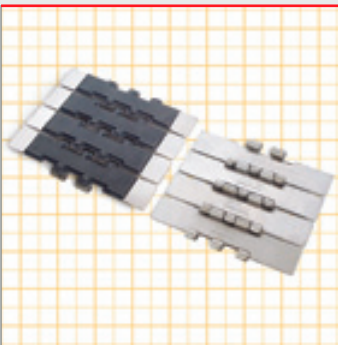
UK The chain has nonslip vulcanite rubber on top enabling it to be used on inclined planes for boxes, parcels, ..., transportation.

FR Chaîne vulcanisée antidérapante dans sa partie supérieure qui peut s'utiliser dans les plans inclinés, pour le transport de caisses, paquets, etc...

DE DIESE KETTE MIT VULKANISierter, RUTSCHFESTER OBERFLÄCHE ERMÖGLICHT DIE VERWENDUNG AUF SCHRÄGEBENEN FÜR DEN TRANSPORT VON KISTEN, PAKETEN USW

C/35

805 G



ES Variación de cadena 805 con vulcanizado de goma en su parte superior que permite ser utilizada en planos inclinados para el transporte de cajas, paquetería, etc.

UK This is a variant of the 805 chain with vulcanite rubber on top enabling it to be used on inclined planes for boxes, parcels, ..., transportation.

FR Chaîne vulcanisée variante de la série 805, antidérapante dans sa partie supérieure qui peut s'utiliser dans les plans inclinés, pour le transport de caisses, paquets, etc...

DE VARIANTE DER KETTE 805 MIT VULKANISierter GUMM OBERFLÄCHE, WELCHE DIE ANWENDUNG AUF SCHRÄGEBENEN FÜR TRANSPORT VON KISTEN, PAKETEN USW, ERMÖGLICHT.

C/36

831 GF

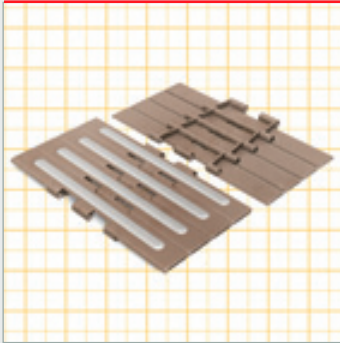


ES Cadena con vulcanizado antideslizante en su parte superior que permite utilizar un plano inclinado, para el transporte de cajas, paquetería, etc...

UK The chain has non slip vulcanite rubber on top enabling it to be used on inclined planes for boxes, parcels, and other items transportation.

FR Chaîne vulcanisée antidérapante dans sa partie supérieure qui peut s'utiliser dans les plans inclinés, pour le transport de caisses, paquets, etc...

DE GERADGÄNGIGE KUNSTSTOFFKETTE MIT GUMMIAUFLAGE FÜR EINSATZ IN SCHRÄGFÖRDERERN



821 GF

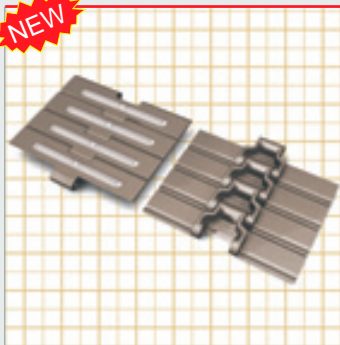
C/37

ES Cadena con vulcanizado antideslizante en su parte superior que permite utilizar un plano inclinado, para el transporte de cajas, paquetería, etc...

UK The chain has nonslip vulcanite rubber on top enabling it to be used on inclined planes for boxes, parcels, etc. transportation.

FR Chaîne vulcanisée antidérapante dans sa partie supérieure qui peut s'utiliser dans les plans inclinés, pour le transport de caisses, paquets, etc...

DE DIESE KETTE MIT VULKANISierter, RUTSCHFESTER OBERFLÄCHE ERMÖGLICHT DIE VERWENDUNG AUF SCHRÄGEBENEN FÜR DEN TRANSPORT VON KISTEN, PAKETEN USW



8257 GF

C/38

ES Cadena de la misma familia de cadenas con bisagra de ancho 57mm. con vulcanizado antideslizante en su parte superior, que permite utilizar un plano inclinado, para el transporte de cajas, paquetería, etc...

UK This chain, from same family than 57 mm width hinge chains, has non slip vulcanite rubber on top, enabling it to be used on inclined planes for: boxes, parcels, and other items transportation.

FR Chaîne faisant partie de la même famille de chaîne à charnière de 57mm, vulcanisée antidérapante dans sa partie supérieure qui peut s'utiliser dans les plans inclinés, pour le transport de caisses, paquets, etc...

DE GERADGÄNGIGE KUNSTSTOFFKETTE MIT GUMMIAUFLAGE FÜR EINSATZ IN SCHRÄGFÖRDERERN. SCHARNIERBREITE 57 MM



879 GF

C/41

ES Cadena con vulcanizado antideslizante en su parte superior que permite utilizar un plano inclinado, para el transporte de cajas, paquetería, etc... El espesor de 4,8mm. le permite trabajar en condiciones mas difíciles.

UK The chain has non slip vulcanite rubber on top enabling it to be used on inclined planes for boxes, parcels, and other items transportation. Its 4,8mm. thickness allows it working under more difficult conditions.

FR Chaîne vulcanisée antidérapante dans sa partie supérieure qui peut s'utiliser dans les plans inclinés, pour le transport de caisses, paquets, etc... Son épaisseur de 4,8mm lui permet de travailler dans des conditions plus difficiles..

DE KURVENGÄNGIGE KUNSTSTOFFKETTE MIT GUMMIAUFLAGE. DIE ERHÖHTE PLATTENSTÄRKE VON 4,8 MM ERLAUBT DEN EINSATZ UNTER SCHWIERIGEN BEDINGUNGEN.



882 TAB GF

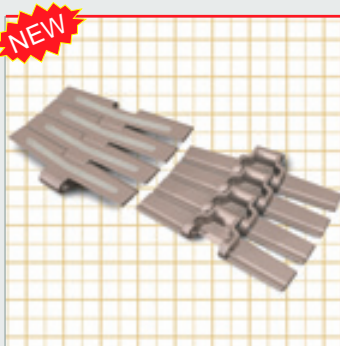
C/42

ES Cadena con vulcanizado antideslizante en su parte superior que permite utilizar un plano inclinado, para el transporte de cajas, paquetería, etc...

UK The chain has nonslip vulcanite rubber on top enabling it to be used on inclined planes for boxes, parcels, etc. transportation.

FR Chaîne vulcanisée antidérapante dans sa partie supérieure qui peut s'utiliser dans les plans inclinés, pour le transport de caisses, paquets, etc.

DE DIESE KETTE MIT VULKANISierter, RUTSCHFESTER OBERFLÄCHE ERMÖGLICHT DIE VERWENDUNG AUF SCHRÄGEBENEN FÜR DEN TRANSPORT VON KISTEN, PAKETEN USW



882 M GF

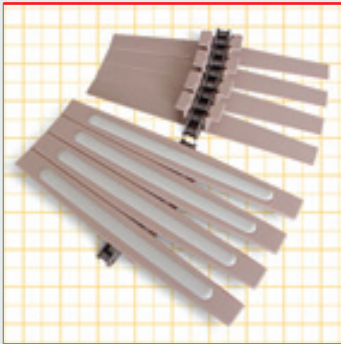
C/43

ES A diferencia de las series 880 TAB GF, esta cadena no lleva ningún aditivo posterior y la cadena queda sujeta a las curvas del transportador gracias a los imanes insertados en éstas.

UK Unlike 880 and 880 TAB GF series, this chain has nothing on the back and is held on conveyor's curved sections by magnets.

FR A la différence des séries 880 TAB GF, cette chaîne ne comporte aucun additif postérieur et la chaîne reste soumise aux courbes du transporteur grâce aux aimants insérés dans celle-ci.

DE KURVENGÄNGIGE KUNSTSTOFFKETTE MIT GUMMIAUFLAGE FÜR MAGNETSYSTEM OHNE NIEDERHALTER.



1873 GF

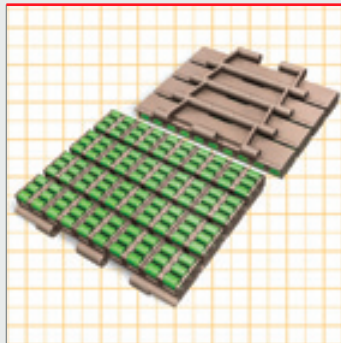
C/44

ES Cadena con vulcanizado antideslizante en su parte superior que permite utilizar un plano inclinado, para el transporte de cajas, paquetería, etc...

UK The chain has nonslip vulcanite rubber on top enabling it to be used on inclined planes for boxes, parcels, etc. transportation.

FR Chaîne vulcanisée antidérapante dans sa partie supérieure qui peut s'utiliser dans les plans inclinés, pour le transport de caisses, paquets, etc...

DE DIESE KETTE MIT VULKANISIERTER, RUTSCHFESTER OBERFLÄCHE ERMÖGLICHT DIE VERWENDUNG AUF SCHRÄGEBENEN FÜR DEN TRANSPORT VON KISTEN, PAKETEN USW



821 BPM

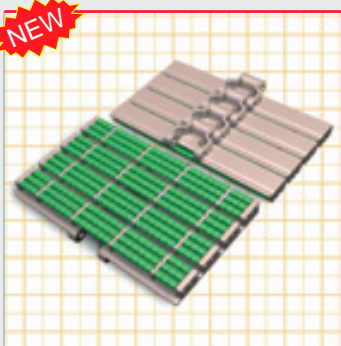
C/47

ES Diseñada para el transporte con acumulación, donde se necesite un especial cuidado del producto y baja presión sobre el mismo.

UK Serie 821 BPM chain specially designed for accumulation transport where special care of the product needs to be taken by reducing pressure on it.

FR Chaîne série 821 BPM conçue pour le transport avec accumulation, quand les produits demandent un soin particulier et ne supportent pas trop de pression.

DE DIE KETTE SERIE 821 BPM WURDE FÜR DEN TRANSPORT MIT STAUBEDINGUNGEN ENTWICKELT, WO BESONDERE SORGFALT IM UMGANG MIT DEM PRODUKT SOWIE EINE GERINGE DRUCKAUSÜBUNG AUF DAS FÖRDERGUT ANGESAGT SIND.



NEW

8257 BPM

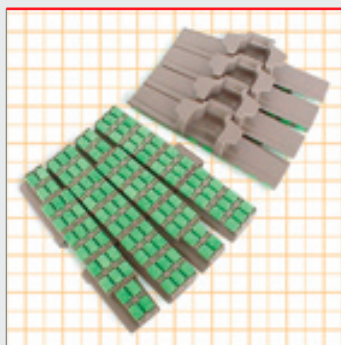
C/47

ES Cadena de la misma familia de cadenas con bisagra de ancho 57mm. Diseñada para el transporte con acumulación, donde se necesite un especial cuidado del producto y baja presión sobre el mismo.

UK Chain series 8257 BPM, from same family than 57 mm width hinge chains is specially designed for accumulation transport, when product needs special cares such as pressure reduction.

FR Chaîne de série 8257 BPM, faisant partie de la même famille de chaîne à charnière de 57mm, conçue pour le transport avec accumulation, quand les produits demandent un soin particulier et réduisant le frottement.

DE GERADGÄNGIGE STAUFÖRDERKETTE AUS KUNSTSTOFF. SCHARNIERBREITE 57 MM. ERMÖGLICHT REDUZIERTEN STAUDRUCK.



882 TAB BPM

C/48

ES Diseñada para el transporte con acumulación, donde se necesite un especial cuidado del producto y baja presión sobre el mismo.

UK 882 TAB BPM chain series specially designed for accumulation transport where special care of the product needs to be taken by reducing pressure on it.

FR Chaîne série 882 TAB BPM conçue pour le transport avec accumulation, quand les produits demandent un soin particulier et ne supportent pas trop de pression.

DE DIE KETTE SERIE 882 TAB BPM WURDE FÜR DEN TRANSPORT MIT STAUBEDINGUNGEN ENTWICKELT, WO BESONDERE SORGFALT IM UMGANG MIT DEM PRODUKT SOWIE EINE GERINGE DRUCKAUSÜBUNG AUF DAS FÖRDERGUT ANGESAGT SIND.



NEW

882 M BP

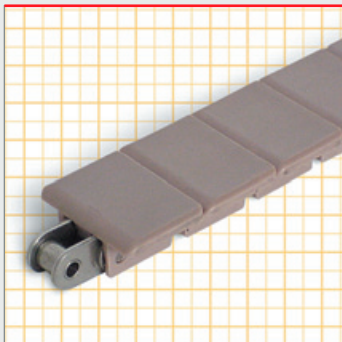
C/48

ES Cadena de la misma familia de cadenas con bisagra de ancho 57mm. Diseñada para el transporte con acumulación, donde se necesite un especial cuidado del producto y baja presión sobre el mismo.

UK Chain series 882 BPM, from same family than 57 mm width hinge chains is specially designed for accumulation transport, when product needs special cares such as pressure reduction.

FR Chaîne de série 882 BPM, faisant partie de la même famille de chaîne à charnière de 57mm, conçue pour le transport avec accumulation, quand les produits demandent un soin particulier et réduisant le frottement.

DE KURVENGÄNGIGE STAUFÖRDERKETTE AUS KUNSTSTOFF FÜR MAGNETSYSTEM. ERMÖGLICHT REDUZIERTEN STAUDRUCK.



843

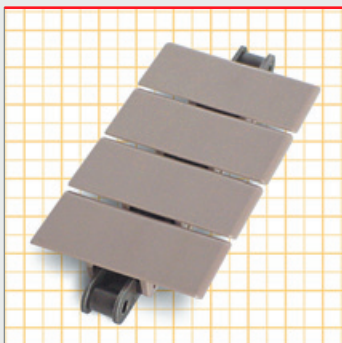
C/51

ES Cadena similar a la serie 863, pero de menor paso (1/2"). Permite engranajes de menor diámetro.

UK This chain is similar to the 863 series but has a smaller pitch (1/2"). Allows the use of smaller diameter gears.

FR Reportées sur une chaîne à rouleaux pas 12,7 mm, les palettes de cette chaîne sont simplement clipsées sur une chaîne à axes débordants.

DE DIESE KETTE IST ÄHNLICH DER SERIE 863, JEDOCH MIT GERINGERER TEILUNG (1/2"). SIE ERMÖGLICHT DIE VERWENDUNG VON GETRIEBEN MIT KLEINEREM DURCHMESSER.



863

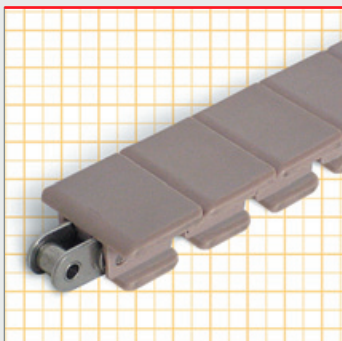
C/51

ES Cadena de rodillos de acero con platillo termoplástico. Une la carga de trabajo de las cadenas de rodillos con las propiedades de baja fricción del acetal.

UK Chain with steel rollers and thermoplastic plates. Combines the workload of roller chains with the low-friction properties of acetal.

FR Rapportées sur une chaîne à rouleaux. Pas de 19,05 mm. Chaîne de rouleaux en acier ou Inox au pas de 19,05 mm avec des maillons thermoplastiques.

DE STANHLROLLENKETTE MIT THERMOPLASTISCHEN PLATTEN. IN DIESER KETTE WIRD DIE GEBRAUCHSLAST DER ROLLENKETTEN MIT DEN EIGENSCHAFTEN DER GERINGEN REIBUNG DES ACETALS VERBUNDEN.



1843 TAB

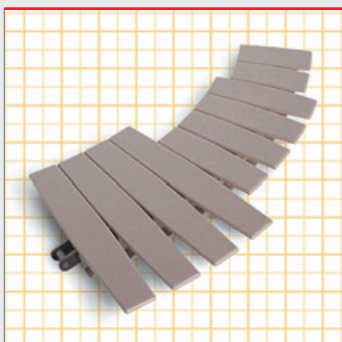
C/52

ES Cadena similar a la serie 863, pero de menor paso (1/2"). Permite engranajes de menor diámetro.

UK This chain is similar to the 863 series but has a smaller pitch (1/2"). Allows the use of smaller diameter gears.

FR Reportées sur une chaîne à rouleaux pas 12,7 mm, les palettes de cette chaîne sont simplement clipsées sur une chaîne à axes débordants.

DE DIESE KETTE IST ÄHNLICH DER SERIE 863, JEDOCH MIT GERINGERER TEILUNG (1/2"). SIE ERMÖGLICHT DIE VERWENDUNG VON GETRIEBEN MIT KLEINEREM DURCHMESSER.



1873 TAB

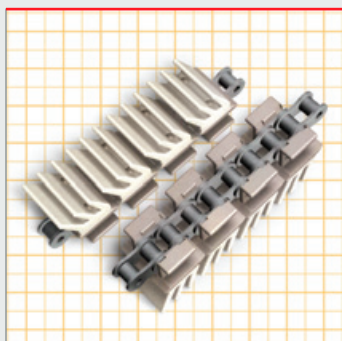
C/52

ES Evolución de la cadena 863 en una cadena de giro lateral. Usando una cadena base de rodillos de giro lateral y platillos de acetal. Se puede utilizar para altas velocidades.

UK A development of the 863 side-flexing chain using a basic, side-flexing roller chain and acetal plates. Suitable for high speeds.

FR Rapportée sur une chaîne à rouleaux, pas de 19,05 mm. Evolution de la chaîne 863 en une chaîne composée de palettes rapportées sur chaîne à rouleaux Acier ou Inox au pas de 19,05 mm permettant une flexion latérale. Cela permet une utilisation à haute vitesse.

DE WEITERENTWICKLUNG DER KETTE 863 ZU EINER KETTE MIT SEITLICHER WENDUNG, WOBEI EINE GRUNDROLLENKETTE MIT SEITLICHER WENDUNG UND ACETALPLATTEN VERWENDET WURDE. DIESE KETTE KANN BEI HOHEN GESCHWINDIGKEITEN ZUM EINSATZ GEBRACHT WERDEN.



1843 EG

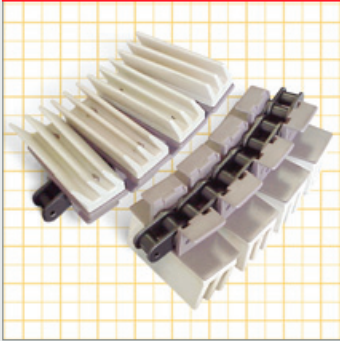
C/53

ES Cadena base de rodillos con accesorios específicos de caucho, para usar en la elevación y descenso de botellería y paquetes de pequeño tamaño o cuando se precisan radios reducidos.

UK Basic roller chain with specific rubber accessories to be used in raising or lowering bottles and small packages, or when smaller radius is a must.

FR Chaîne composée par une chaîne à rouleaux avec accessoires spécifiques en caoutchouc, pour effectuer l'élévation et la descente des bouteilles ainsi que des petits paquets, ou bien quand il faut des radiums réduits.

DE GRUNDROLLENKETTE MIT SPEZIFISCHEN ZUBEHÖRTEILEN AUS GUMMI FÜR DIE VERWENDUNG BEI HEBEN UND SENKEN VON FLASCHEN UND KLEINEN PAKETEN ODERMIT KLEINEM KURVENRADIUS.



1873 EG

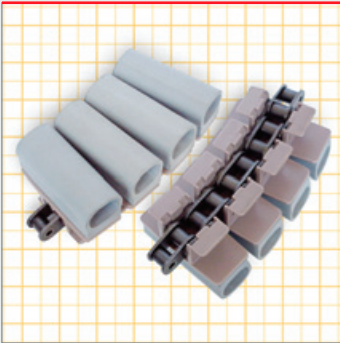
C/54

Cadena base de rodillos con accesorios específicos de caucho, para usar en la elevación y descenso de botellería y paquetes.

Basic roller chain with specific rubber accessories for use in raising or lowering bottles or packets.

Chaîne composée d'une chaîne à rouleaux avec accessoires spécifiques en caoutchouc, pour effectuer l'élévation et la descente des bouteilles ainsi que des paquets.

GRUNDROLLENKETTE MIT SPEZIFISCHEN ZUBEHÖRTETLEN AUS GUMMI FÜR DIE VERWENDUNG BEI HEBEN UND SENKEN VON FLASCHEN UND PAKETEN.



1873 GA

C/55

Cadena base de rodillos con accesorios específicos de caucho, para usar en la elevación y descenso de botellería y paquetes.

Basic roller chain with specific rubber accessories for use in raising or lowering bottles or packets.

Chaîne composée d'une chaîne à rouleaux avec accessoires spécifiques en caoutchouc, pour effectuer l'élévation et la descente des bouteilles ainsi que des paquets.

GRUNDROLLENKETTE MIT SPEZIFISCHEN ZUBEHÖRTETLEN AUS GUMMI FÜR DIE VERWENDUNG BEI HEBEN UND SENKEN VON FLASCHEN UND PAKETEN.



550

C/57

Cadena universal para transporte en diferentes niveles.

Universal chain to transport at different levels.

Chaîne universelle à cardan pour transporter à différents niveaux: trois niveaux maximum.

UNIVERSALKETTE FÜR DEN TRANSPORT AUF VERSCHIEDENEN EBENEN



550 L

C/57

Utilizada en sitios donde se precisa una especial limpieza.

Used where special cleaning is required.

Similaire à la chaîne cardan de série 550 mais sans rainures, généralement utilisée dans l'industrie laitière ou de jus des fruits.

KOMMT AN DEN STELLEN ZUM EINSATZ, WO BESONDERE REINLICHKEIT ERFORDERLICH IST.



550 TAB

C/58

Variante utilizada si se precisa llevar la cadena con un mayor guiado en su parte inferior.

Variant used when the chain needs more precise guiding underneath.

Principe identique aux chaînes série 550 mais comporte en plus le dorme TAB pour le maintien de la chaîne spécialement dans les courbes. Elle convient pour les vitesses importantes et bidirectionnelles.

DIESE VARIANTE KOMMT ZUM EINSATZ, WENN EINE PRÄZISERE FÜHRUNG VON DER UNTERSEITE DER KETTE HER VERLANGT WIRD.



550 ML

C/58

ES Variante de la cadena 550 que permite el transporte de productos de mayor dimensión.

UK A variant of the 550 chain to transport larger items.

FR Variante de la série 550 permettant le transport de produits de plus grande dimension grâce à ses palettes en demie lune.

DE ABWANDLUNG DER KETTE 550, DIE DEN TRANSPORT VON GRÖßEREM FÖRDERGUT ERMÖGLICHT.



550 LF

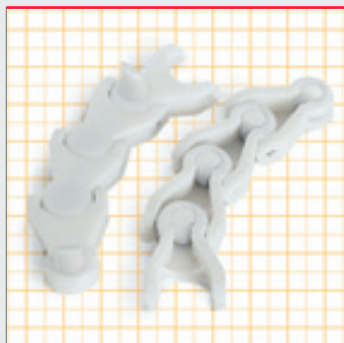
C/59

ES Cadena de ancho 60 mm., con bisagra reforzada que permite su uso en grandes instalaciones.

UK A 60 MM-Wide chain with reinforced hinges enabling it to be used in large installations.

FR Chaîne de largeur 60 mm, avec charnière renforcée qui permet son usage dans les grandes installations. Chaîne de couleur brune avec rainures parallèles en Acétal "LF" Low Friction.

DE 60MM BREITE KETTE MIT VERSTÄRKATEM SCHARNIER, WAS IHREN EINSATZ IN GROßANLAGEN ERMÖGLICHT.



550 E

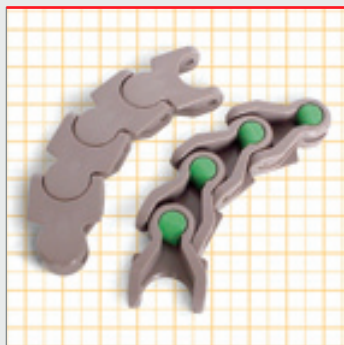
C/59

ES Accesorios para intercalar en esta cadena como arrastraderas para la elevación y descenso de productos y así mismo también es posible utilizarlo como arrastre en sistema carterpillar.

UK Accessories that can be fitted in the chain to raise and lower products. Can also be used to pull products along in a carterpillar system.

FR Taquet poussoir pouvant s'adapter sur la chaîne 550 AW permettant la montée ou descente des produits sans glissement.

DE ZUBEHÖRELEMENTE, DIE ZUM ZWECHE DES HEBENS UND SENKENS DES FÖRDERGUTS ZWISCHENGESETZT WERDEN KÖNNEN. EBENFALLS KÖNNEN SIE FÜR DIE MITNAHME VON PRODUKTEN BEI RAUPENSCHLEPPSYSTEMEN VERWENDET WERDEN.



550 1700

C/60

ES Cadena universal para transporte en diferentes niveles.

UK Universal chain to transport at diferents levels.

FR Chaîne universelle à cardan pour transporter à différents niveaux: trois niveaux maximum.

DE UNIVERSALKETTE FÜR DEN TRANSPORT AUF VERSCHIEDENEN EBENEN



550 132

C/60

ES (Nueva) Cadena ultra compacta, ejecución exterior lisa.


UK (New) Ultra-compact with smooth exterior finish.


FR (Nouvelle) Chaîne ultra compacte, exécution extérieure lisse.


DE (NEUE) ULTRAKOMPAKTE KETTE IN GLATTER AUßENVERARBEITUNG


**600 L**

C/61

 Cadenas utilizadas en el transporte de bidones, embalajes y productos pesados.


 Chains used to transport drums, packaging and heavy items.

 Pas de 82,5 mm. Conçue por le transport de caisses, boîtes en cartons ou cageots. Moulées en Acétal dur, elles ne demandent pas de lubrification, elles se nettoient à la vapeur.


 DIESE KETTEN WERDEN FÜR DEN TRANSPORT VON KANISTERN SOWIE SCHWEREN VERPACKUNGEN UND PRODUKTEN VERWENDET.


**600 TAB**

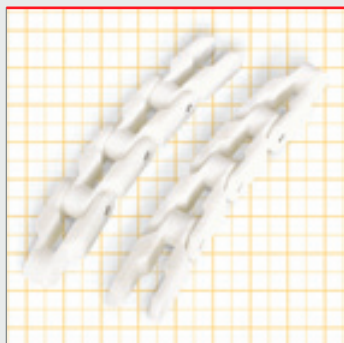
C/61

 Cadenas utilizadas en el transporte de bidones, embalajes y productos pesados.

 Chains used to transport drums, packaging and heavy items.


 Pas de 82,5 mm. Conçue por le transport de caisses, boîtes en cartons ou cageots. Moulées en Acétal dur, elles ne demandent pas de lubrification, elles se nettoient à la vapeur.


 DIESE KETTEN WERDEN FÜR DEN TRANSPORT VON KANISTERN SOWIE SCHWEREN VERPACKUNGEN UND PRODUKTEN VERWENDET.


**610 L**

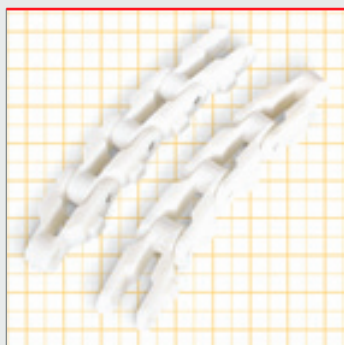
C/62

 Cadenas utilizadas en el transporte de bidones, embalajes y productos pesados.


 Chains used to transport drums, packaging and heavy items.


 Pas de 63,5 mm. Même utilisation que la série 600/600 TAB avec ou sans ergots pour le maintien dans les courbes. Avec ou sans plafond .


 DIESE KETTEN WERDEN FÜR DEN TRANSPORT VON KANISTERN SOWIE SCHWEREN VERPACKUNGEN UND PRODUKTEN VERWENDET.


**610 TAB**

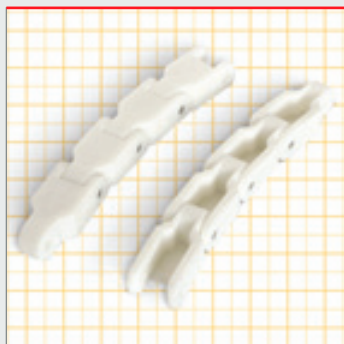
C/62

 Cadenas utilizadas en el transporte de bidones, embalajes y productos pesados.


 Chains used to transport drums, packaging and heavy items.


 Pas de 63,5 mm. Même utilisation que la série 600/600 TAB avec ou sans ergots pour le maintien dans les courbes. Avec ou sans plafond .


 DIESE KETTEN WERDEN FÜR DEN TRANSPORT VON KANISTERN SOWIE SCHWEREN VERPACKUNGEN UND PRODUKTEN VERWENDET.


**610 LC**

C/63

 Cadenas utilizadas en el transporte de bidones, embalajes y productos pesados.


 Chains used to transport drums, packaging and heavy items.


 Pas de 63,5 mm. Même utilisation que la série 600/600 TAB avec ou sans ergots pour le maintien dans les courbes. Avec ou sans plafond .


 DIESE KETTEN WERDEN FÜR DEN TRANSPORT VON KANISTERN SOWIE SCHWEREN VERPACKUNGEN UND PRODUKTEN VERWENDET.


**610 TAB C**

C/63

 Cadenas utilizadas en el transporte de bidones, embalajes y productos pesados.


 Chains used for transporting drums, packaging and heavy items.


 Pas de 63,5 mm. Même utilisation que la série 600/600 TAB avec ou sans ergots pour le maintien dans les courbes. Avec ou sans plafond .


 DIESE KETTEN WERDEN FÜR DEN TRANSPORT VON KANISTERN SOWIE SCHWEREN VERPACKUNGEN UND PRODUKTEN VERWENDET.


**610 LC E**

C/64

 Accesorios para intercalar en esta cadena como arrastraderas para la elevación y descenso de productos.


 Accessories that can be fitted in the chain to raise and lower products.


 Taquet poussoir pouvant s'adapter sur la chaîne permettant la montée ou descente des produits sans glissement.


 ZUBEHÖRELEMENTE, DIE ZUM ZWECHE DES HEBENS UND SENKENS DES FÖRDERGUTS ZWISCHENGESETZT WERDEN KÖNNEN.

**610 ML**

C/64

 Variante de la cadena 610 que permite la fabricación de transportadores en un plano, sin retorno de cadena.

 A variant of the 610 chain allowing conveyors manufactured only at one plan without returning of the chain.

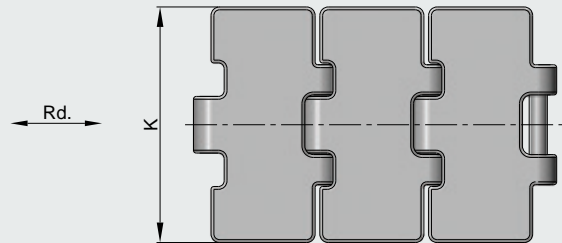
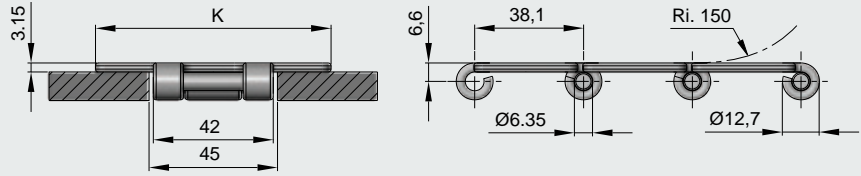
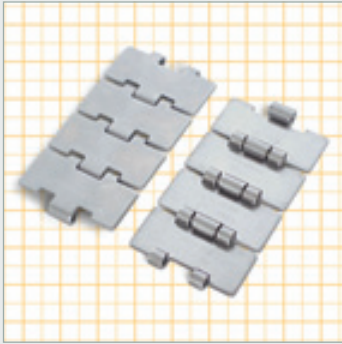
 Variante de la série 610 permettant le transport de produit de plus grande dimension grâce à ses palettes en demie lune.

 ABWANDLUNG DER KETTE 610, DIE DEN TRANSPORT VON GRÖßEREM FÖRDERGUT ERMÖGLICHT.



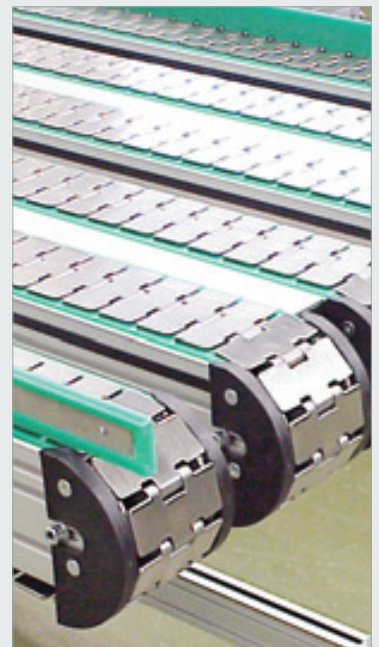
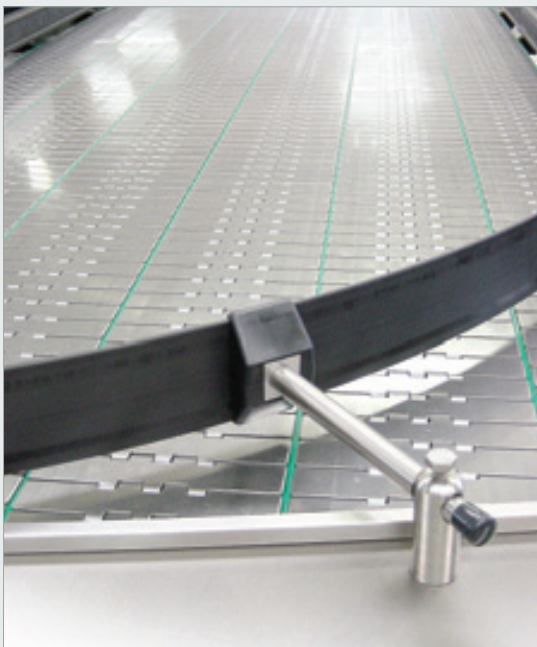
**CADENAS RECTAS
STRAIGHT RUNNING CHAINS
CHAÎNES DROITES
GERADEGÄNGIGE SCHARNIERBANDKETTEN**

815

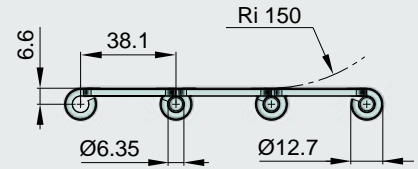
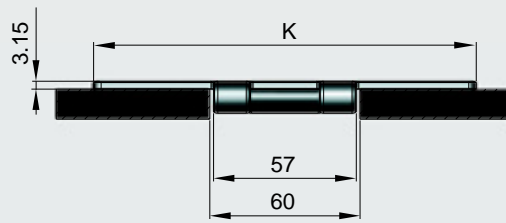
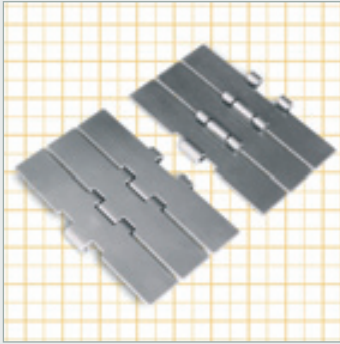


K		MAT.		Kg/m	COD.
mm	inch	Cadena / Chain Chaîne / Ketten	Eje / Spindle Axe / Spindel		
63,5	2,5	SSC	SS420	2,28	SSC815 250
76,2	3			2,59	SSC815 300
82,5	3,25			2,65	SSC815 325
88,9	3,5			2,70	SSC815 350
101,6	4			3,20	SSC815 400
114,3	4,5			3,40	SSC815 450
127,0	5			3,50	SSC815 500
152,4	6			4,40	SSC815 600
190,5	7,5	5,10	SSC815 750		
63,5	2,5	SSS	SS302	2,28	SSS815 250
76,2	3			2,59	SSS815 300
82,5	3,25			2,65	SSS815 325
88,9	3,5			2,70	SSS815 350
101,6	4			3,20	SSS815 400
114,3	4,5			3,40	SSS815 450
127,0	5			3,50	SSS815 500
152,4	6			4,40	SSS815 600
190,5	7,5	5,10	SSS815 750		

Longitud standard / Standard Length /
Longueur standard / Lieferlänge: 3,048 m. - 10 ft



8157



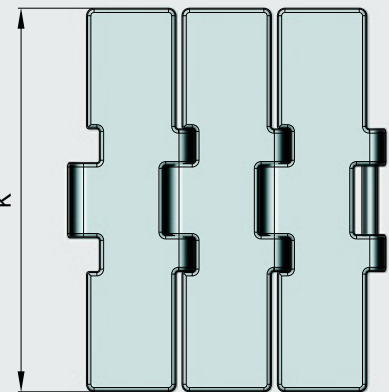
**NUEVO PRODUCTO
NEW PRODUCT
NOUVEAU PRODUIT
NEUES PRODUKT**

Pag.

C/93, C/94

MAT. T/2

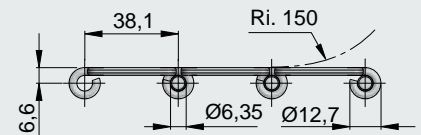
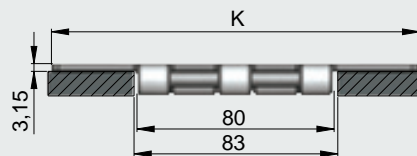
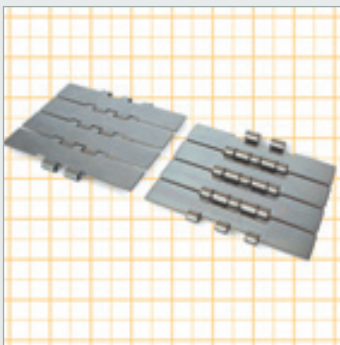
Rd. →



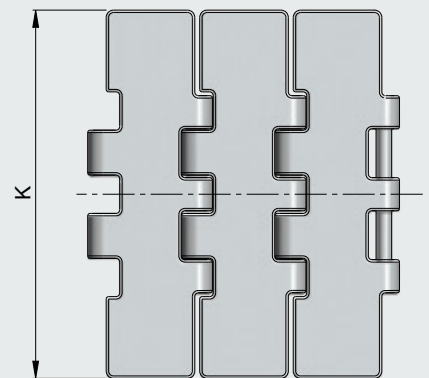
Longitud standard / Standard Length /
Longueur standard / Lieferlänge: 3,048 m. - 10 ft

K		MAT.		Kg/m	COD.
mm	inch	Cadena / Chain Chaîne / Ketten	Eje / Spindle Axe / Spindel		
190,5	7,5	SSC	SS420	5,89	SSC8157 075

805



Rd. →



Pag.

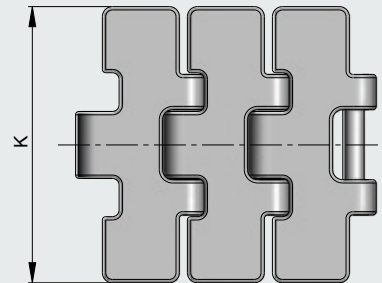
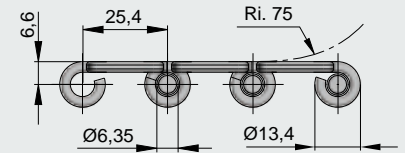
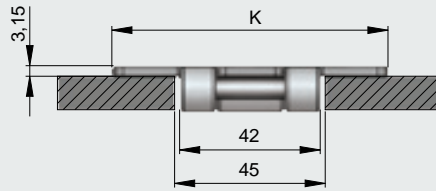
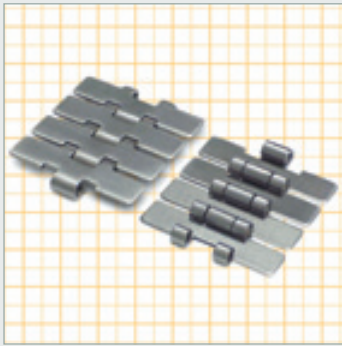
C/85, C/86
C/87, C/88
C/106, 108

MAT. T/2

Longitud standard / Standard Length /
Longueur standard / Lieferlänge: 3,048 m. - 10 ft

K		MAT.		Kg/m	COD.
mm	inch	Cadena / Chain Chaîne / Ketten	Eje / Spindle Axe / Spindel		
190,5	7,5	SSC	SS420	5,80	SSC805 750
150	5,9	SSS	SS302	4,93	SSS805 590
190,5	7,5			5,80	SSS805 750

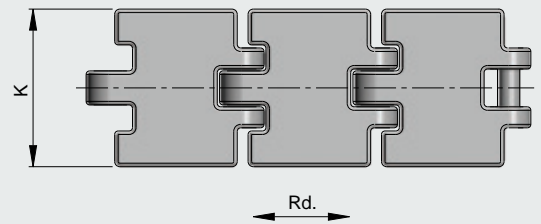
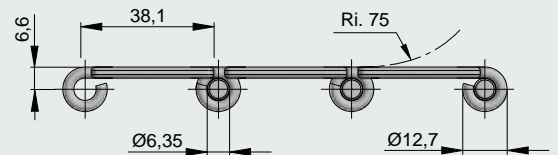
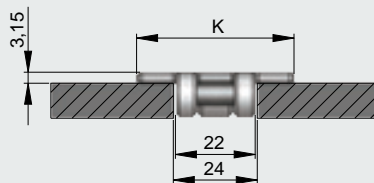
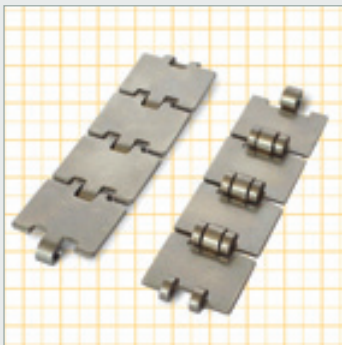
515



K		MAT.		Kg/m	COD.
mm	inch	Cadena / Chain Chaîne / Ketten	Eje / Spindle Axe / Spindel		
76,2	3,00	SSC	SS420	2,60	SSC515 300
82,5	3,25			2,80	SSC515 325
101,6	4,00			3,15	SSC515 400
76,2	3,00	SSS	SS302	2,60	SSS515 300
82,5	3,25			2,80	SSS515 325
101,6	4,00			3,15	SSS515 400

Longitud standard / Standard Length /
Longueur standard / Lieferlänge: 3,048 m. - 10 ft

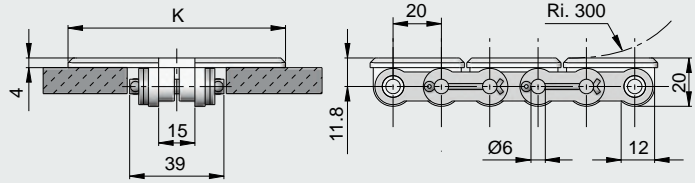
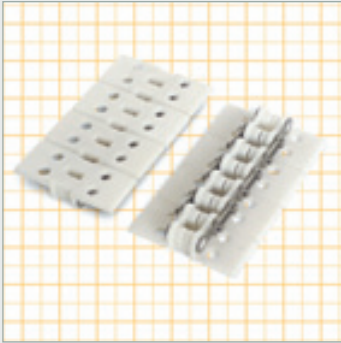
810



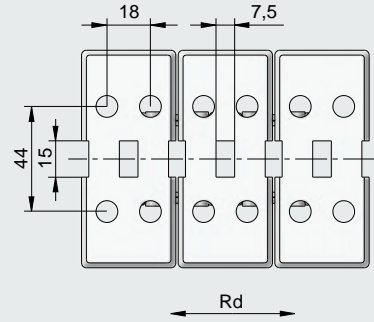
K		MAT.		Kg/m	COD.
mm	inch	Cadena / Chain Chaîne / Ketten	Eje / Spindle Axe / Spindel		
32	1,25	SSC	SS420	1,10	SSC810 125
45	1,75			1,30	SSC810 175

Longitud standard / Standard Length /
Longueur standard / Lieferlänge: 3,048 m. - 10 ft

400



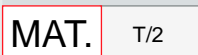
Abierto 14% / Open 14%



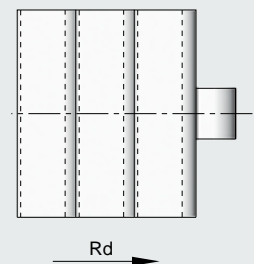
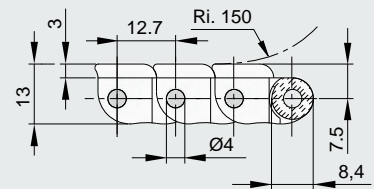
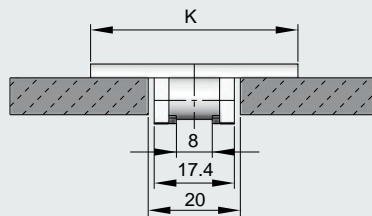
Longitud standard / Standard Length /
Longueur standard / Lieferlänge:
3,048 m. - 10 ft

K		MAT.		Kg/m	COD.
mm	inch	Platillo / Plate Palettes / Platten	Cadena base / Base chain Chaîne de base / Grundkette		
90	3,54	AW	SS304	1,50	400 90

450



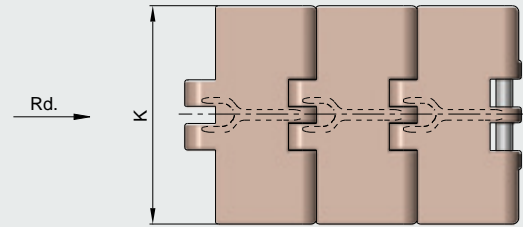
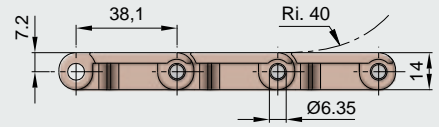
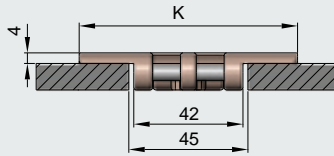
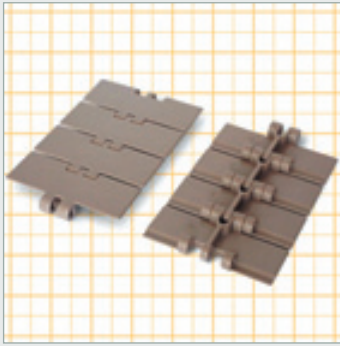
* Standard ISO 08B1



Longitud standard / Standard Length /
Longueur standard / Lieferlänge: 3,048 m. - 10 ft

K		MAT.		Kg/m	COD.
mm	inch	Cadena / Chain Chaîne / Ketten	Eje / Spindle Axe / Spindel		
32	1,25	AW	SS304	0,30	450 32
45	1,75			0,40	450 45

820

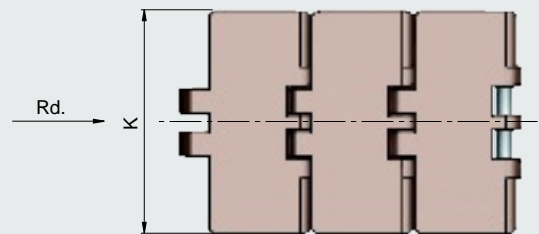
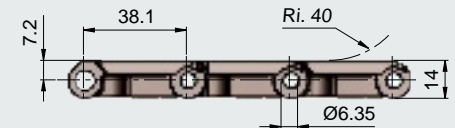
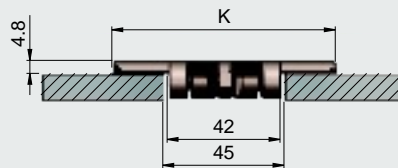
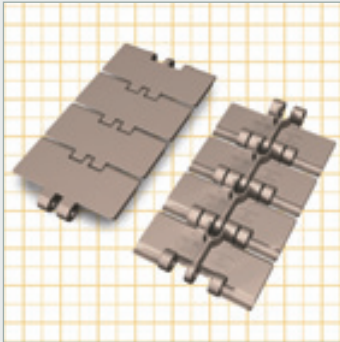


MAT. T/2

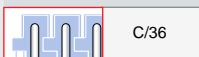
K		MAT.		Kg/m	COD.
mm	inch	Cadena / Chain Chaîne	Eje / Spindle Axe		
63,5	2,50	KV	SS304	0,71	KV820 250
82,5	3,25			0,83	KV820 325
83,8	3,30			0,84	KV820 330
88,9	3,50			0,87	KV820 350
101,6	4,00			0,95	KV820 400
114,3	4,50			1,03	KV820 450
152,4	6,00			1,25	KV820 600
190,5	7,50			1,47	KV820 750
63,5	2,50	LF	SS304	0,71	LF820 250
82,5	3,25			0,83	LF820 325
83,8	3,30			0,84	LF820 330
88,9	3,50			0,87	LF820 350
101,6	4,00			0,95	LF820 400
114,3	4,50			1,03	LF820 450
152,4	6,00			1,25	LF820 600
190,5	7,50			1,47	LF820 750
82,5	3,25	PP+FV	PP+FV	0,39	P820 325
83,8	3,30			0,42	P820 330
101,6	4,00			0,44	P820 400
114,3	4,50			0,49	P820 450
152,4	6,00			0,62	P820 600
190,5	7,50			0,73	P820 750
82,5	3,25	PP+FV	SS316	0,62	PS820 325
83,8	3,30			0,65	PS820 330
101,6	4,00			0,68	PS820 400
114,3	4,50			0,73	PS820 450
152,4	6,00			0,86	PS820 600
190,5	7,50			0,96	PS820 750

Longitud standard / Standard Length /
Longueur standard / Lieferlänge: 3,048 m. - 10 ft

831



**NUOVO PRODOTTO
NEW PRODUCT
NOUVEAU PRODUIT
NEUES PRODUKT**

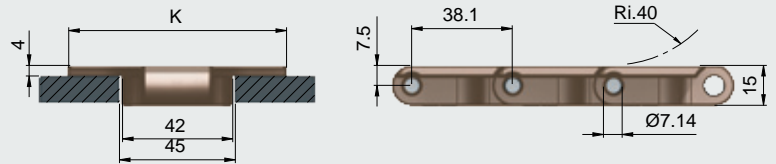
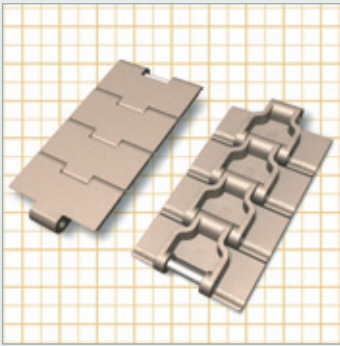


MAT. T/2

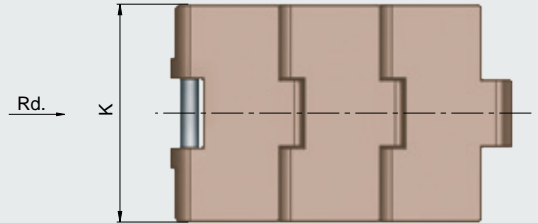
Longitud standard /
Standard Length /
Longueur standard /
Lieferlänge:
3,048 m. - 10 ft

K		MAT.		Kg/m	COD.
mm	inch	Cadena / Chain Chaîne	Eje / Spindle Axe		
82,5	3,25	KV	SS304	0,89	KV831 325
114,3	4,50			1,08	KV831 450
190,5	7,50			1,52	KV831 750
82,5	3,25	LF	SS304	0,89	LF831 325
114,3	4,50			1,08	LF831 450
190,5	7,50			1,52	LF831 750

828



**NUEVO PRODUCTO
NEW PRODUCT
NOUVEAU PRODUIT
NEUES PRODUKT**

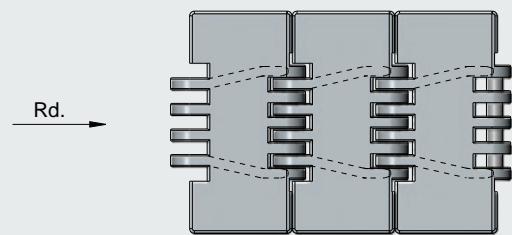
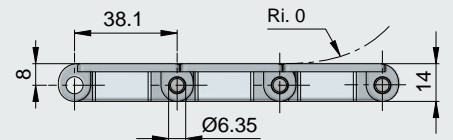
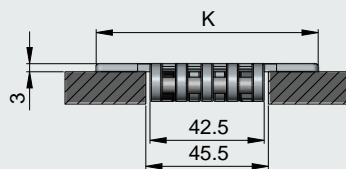
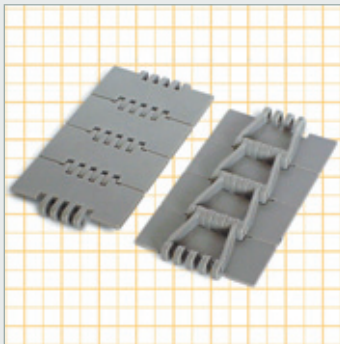


MAT. T/2

K		MAT.		Kg/m	COD.
mm	inch	Cadena / Chain Chaîne	Eje/Spindle Axe		
82,5	3,25	KV	SS304	1,01	KV828 325
83,8	3,30			1,02	KV828 330
82,5	3,25	LF	SS304	1,01	LF828 325
83,8	3,30			1,02	LF828 330

Longitud standard / Standard Length /
Longueur standard / Lieferlänge: 3,048 m. - 10 ft

900



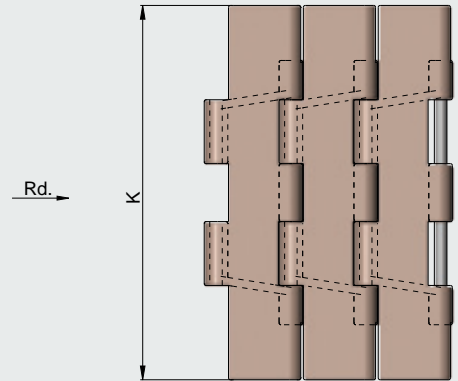
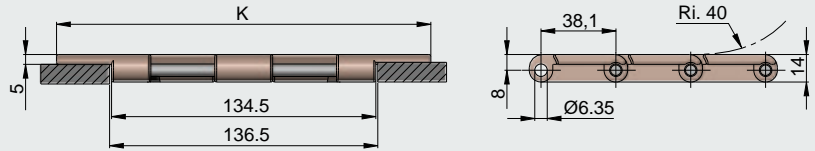
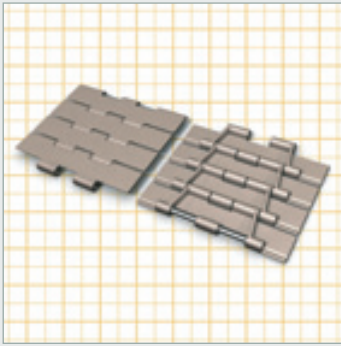
MAT. T/2

* Standard ISO 08B1

K		MAT.		Kg/m	COD.
mm	inch	Cadena / Chain Chaîne / Ketten	Eje/Spindle Axe / Spindel		
82,5	3,25	D	SS304	0'87	903
90	3,54			0'91	904
100	3,94			0'95	905

Longitud standard / Standard Length /
Longueur standard / Lieferlänge: 3,048 m. - 10 ft

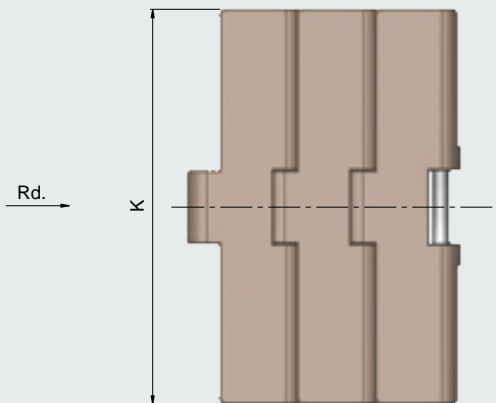
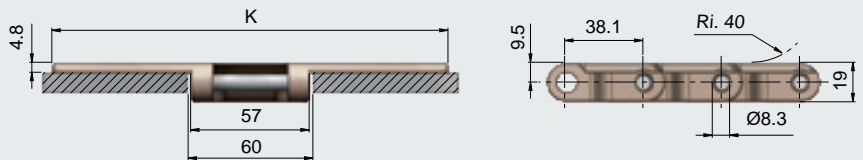
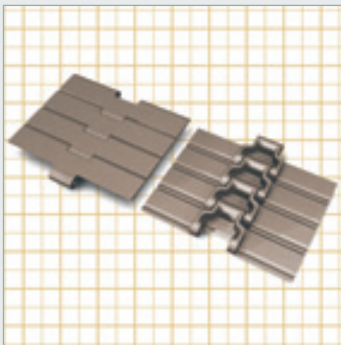
821



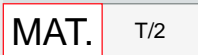
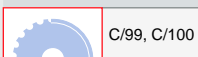
Longitud standard / Standard Length /
Longueur standard / Lieferlänge: 3,048 m. - 10 ft

K		MAT.		Kg/m	COD.
mm	inch	Cadena / Chain Chaîne / Ketten	Eje/Spindle Axe / Spindel		
190,5	7,50	KV	SS304	2,50	KV821 0750
254,0	10,00			2,95	KV821 1000
304,8	12,00			3,25	KV821 1200
190,5	7,50	LF	SS304	2,50	LF821 0750
254,0	10,00			2,95	LF821 1000
304,8	12,00			3,25	LF821 1200

8257



NUEVO PRODUCTO
NEW PRODUCT
NOUVEAU PRODUIT
NEUES PRODUKT

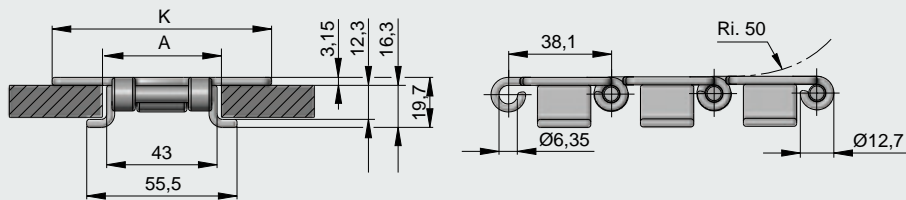
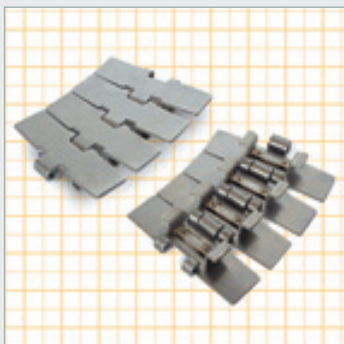


K		MAT.		Kg/m	COD.
mm	inch	Cadena / Chain Chaîne	Eje/Spindle Axe		
190,5	7,50	KV	SS304	2,47	KV8257 0750
254,0	10,00			2,86	KV8257 1000
304,8	12,00			3,18	KV8257 1200
190,5	7,50	LF	SS304	2,47	LF8257 0750
254,0	10,00			2,86	LF8257 1000
304,8	12,00			3,18	LF8257 1200

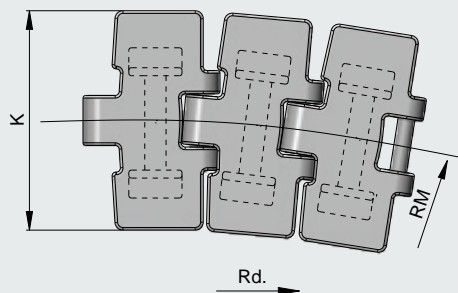


**CADENAS CURVAS
SIDE FLEXING CHAINS
CHAÎNES À FLEXION LATÉRALE
KURVENGÄNGIGE SCHARNIERBANDKETTEN**

881-O TAB



A < Recta/Straight/Droit/Gerade - 46
Curva/Curved/Courbed/Kurve - 44,5

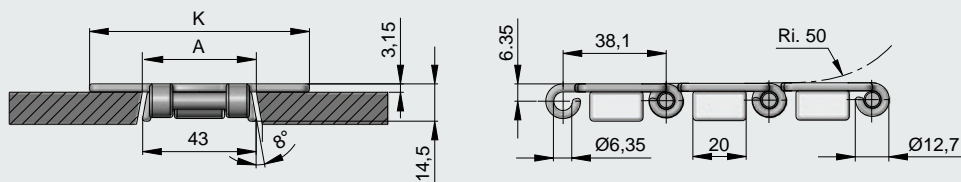
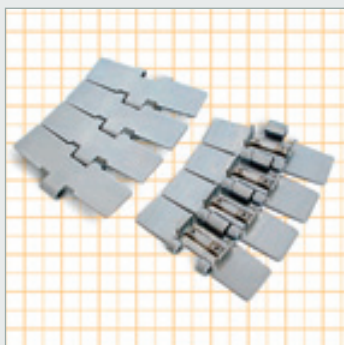


MAT. T/2

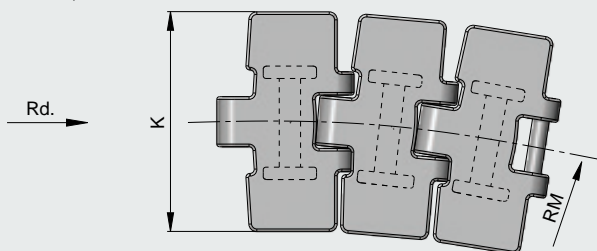
K		MAT.		RM	Kg/m	COD.
mm	inch	Cadena / Chain Chaîne / Ketten	Eje / Spindle Axe / Spindel			
82,5	3,25	SSC	SS302	500	2,90	SSC881-O-325 TAB
114,3	4,50				3,60	SSC881-O-450 TAB
190,5	7,50				5,30	SSC881-O-750 TAB
82,5	3,25	SSS	SS302	500	2,90	SSS881-O-325 TAB
114,3	4,50				3,60	SSS881-O-450 TAB
190,5	7,50				5,30	SSS881-O-750 TAB

Longitud standard / Standard Length /
Longueur standard / Lieferlänge: 3,048 m. -10ft

881-O



A < Recta/Straight/Droit/Gerade - 44,5
Curva/Curved/Courbed/Kurve - 41,3

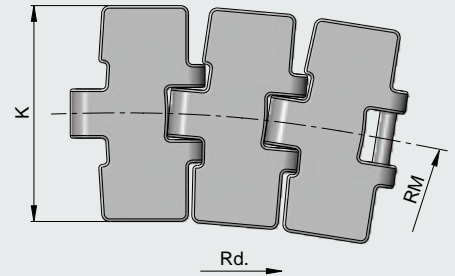
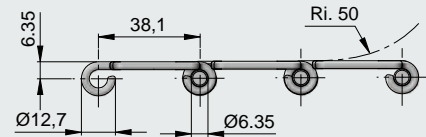
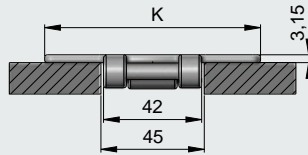
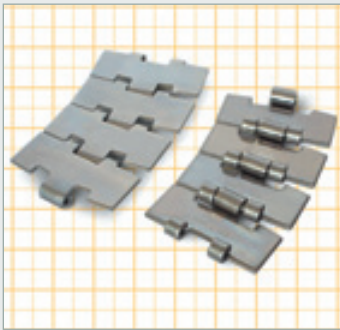


MAT. T/2

K		MAT.		RM	Kg/m	COD.
mm	inch	Cadena / Chain Chaîne / Ketten	Eje / Spindle Axe / Spindel			
82,5	3,25	SSC	SS302	500	2,90	SSC881-O-325
114,3	4,50				3,60	SSC881-O-450
190,5	7,50				5,30	SSC881-O-750
82,5	3,25	SSS	SS302	500	2,90	SSS881-O-325
114,3	4,50				3,60	SSS881-O-450
190,5	7,50				5,30	SSS881-O-750

Longitud standard / Standard Length /
Longueur standard / Lieferlänge: 3,048 m. -10ft

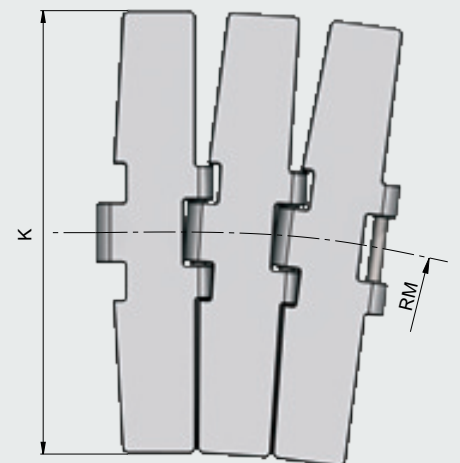
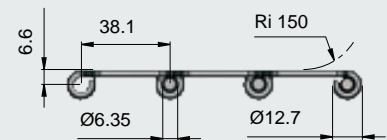
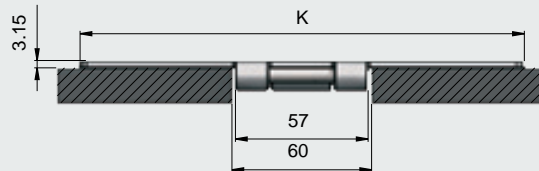
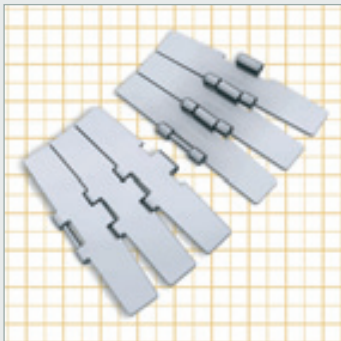
881 M



K		MAT.		RM	Kg/m	COD.
mm	inch	Cadena / Chain Chaîne / Ketten	Eje / Spindle Axe / Spindel			
82,5	3,25	SSC	SS420	457	2,70	SSC881M 325
190,5	7,50			610	5,10	SSC881M 750

Longitud standard / Standard Length /
Longueur standard / Lieferlänge: 3,048 m. - 10ft

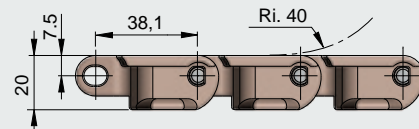
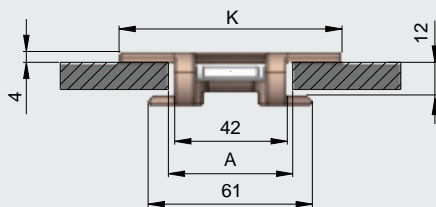
8857 M



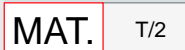
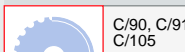
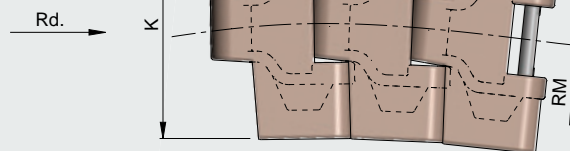
K		MAT.		RM	Kg/m	COD.
mm	inch	Cadena / Chain Chaîne / Ketten	Eje / Spindle Axe / Spindel			
190,5	7,5	SSC	SS420	750	5,28	SSC8857M 075

Longitud standard /
Standard Length /
Longueur standard /
Lieferlänge: 3,048 m. - 10 ft

880 TAB



A < Recta/Straight/Droit/Gerade - 46
Curva/Curved/Courbed/Kurve - 44,2

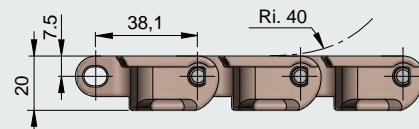
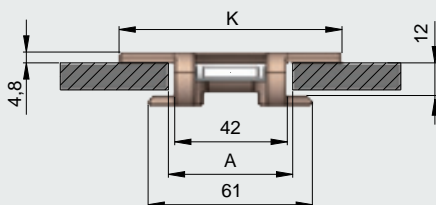


Longitud standard / Standard Length /
Longueur standard / Lieferlänge:
3,048 m. - 10 ft

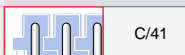
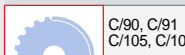
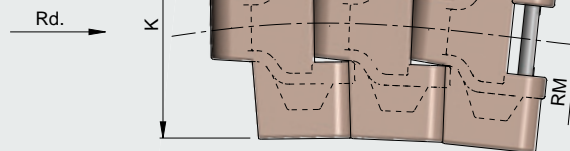


K		MAT.		RM	Kg/m	COD.
mm	inch	Cadena / Chain Chaîne / Ketten	Eje / Spindle Axe / Spindel			
63,5	2,50	KV	SS304	325	0,85	KV880 250 TAB
82,5	3,25			457	1,04	KV880 325 TAB
114,3	4,50			500	1,21	KV880 450 TAB
63,5	2,50	LF	SS304	325	0,85	LF880 250 TAB
82,5	3,25			457	1,04	LF880 325 TAB
114,3	4,50			500	1,21	LF880 450 TAB
152,4	6,00			500	1,47	LF880 600 TAB
190,5	7,50			500	1,60	LF880 750 TAB

879 TAB



A < Recta/Straight/Droit/Gerade - 46
Curva/Curved/Courbed/Kurve - 44,2

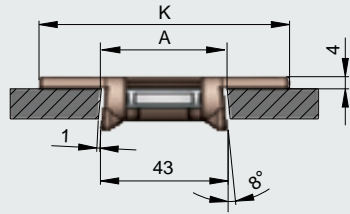
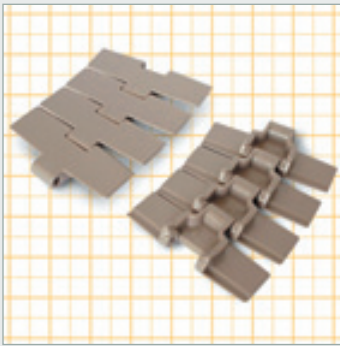


Longitud standard / Standard Length /
Longueur standard / Lieferlänge:
3,048 m. - 10 ft

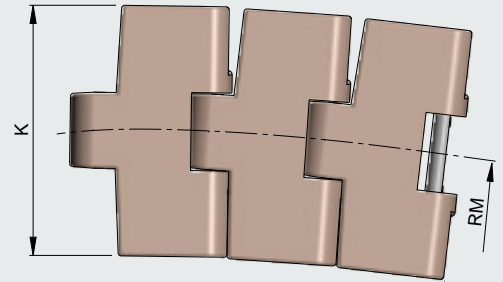
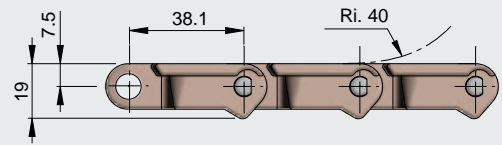


K		MAT.		RM	Kg/m	COD.
mm	inch	Cadena / Chain Chaîne / Ketten	Eje / Spindle Axe / Spindel			
82,5	3,25	KV	SS304	457	1,04	KV879 325 TAB
114,3	4,50			500	1,21	KV879 450 TAB
82,5	3,25	LF	SS304	457	1,04	LF879 325 TAB
114,3	4,50			500	1,21	LF879 450 TAB

880



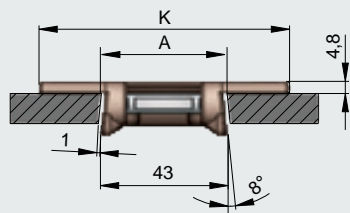
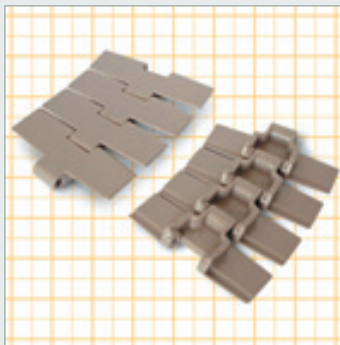
A < Recta/Straight/Droit/Gerade - 44,5
Curva/Curved/Courbed/Kurve - 41,4



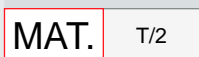
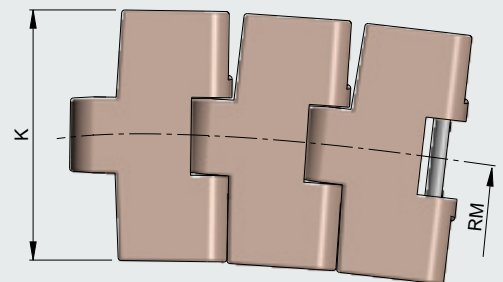
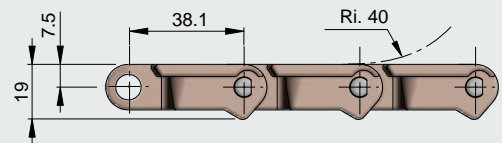
Longitud standard / Standard Length /
Longueur standard / Lieferlänge:
3,048 m. - 10 ft

K		Cadena / Chain Chaîne / Ketten	Eje / Spindle Axe / Spindel	RM	Kg/m	COD.
mm	inch					
82,5	3,25	<input type="checkbox"/> KV	<input type="checkbox"/> SS304	457	0,89	KV880 325
114,3	4,50	<input type="checkbox"/> LF	<input type="checkbox"/> SS304	532	1,04	KV880 450
82,5	3,25	<input type="checkbox"/> LF	<input type="checkbox"/> SS304	457	0,89	LF880 325
114,3	4,50	<input type="checkbox"/> KV	<input type="checkbox"/> SS304	532	1,04	LF880 450

879



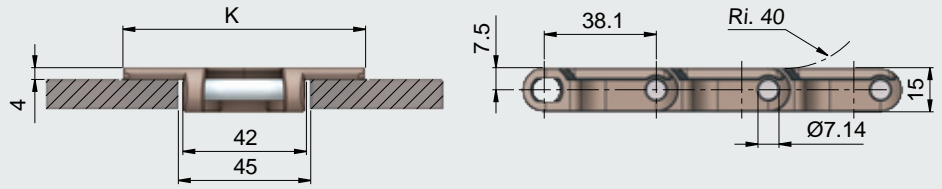
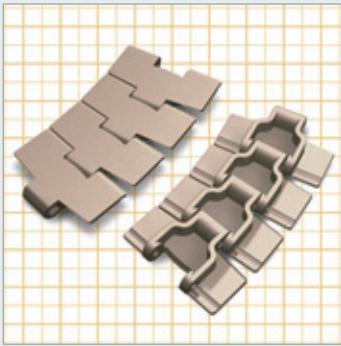
A < Recta/Straight/Droit/Gerade - 44,5
Curva/Curved/Courbed/Kurve - 41,4



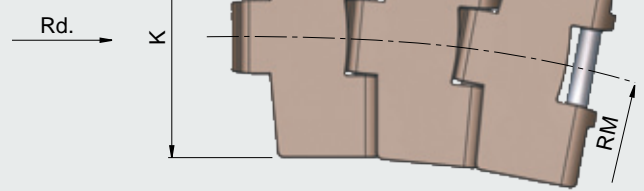
Longitud standard / Standard Length /
Longueur standard / Lieferlänge:
3,048 m. - 10 ft

K		Cadena / Chain Chaîne / Ketten	Eje / Spindle Axe / Spindel	RM	Kg/m	COD.
mm	inch					
82,5	3,25	<input type="checkbox"/> KV	<input type="checkbox"/> SS304	457	0,89	KV879 325
114,3	4,50	<input type="checkbox"/> LF	<input type="checkbox"/> SS304	532	1,04	KV879 450
82,5	3,25	<input type="checkbox"/> LF	<input type="checkbox"/> SS304	457	0,89	LF879 325
114,3	4,50	<input type="checkbox"/> KV	<input type="checkbox"/> SS304	532	1,04	LF879 450

880 M



**NUEVO PRODUCTO
NEW PRODUCT
NOUVEAU PRODUIT
NEUES PRODUKT**



Pag.

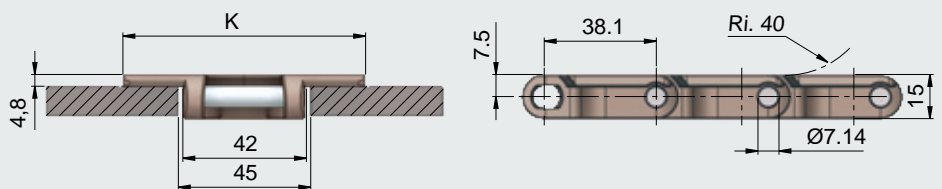
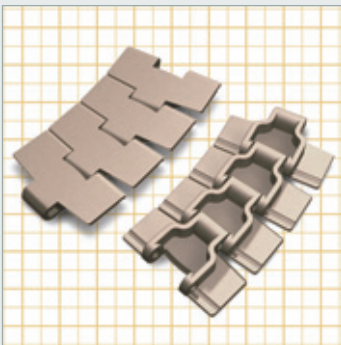
C/90, C/91
C/105, C/108

MAT. T/2

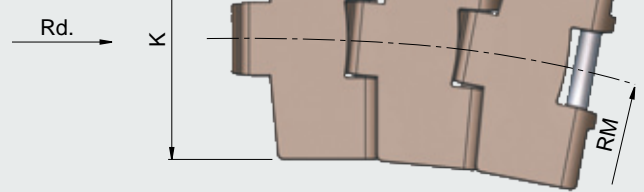
K		MAT.		RM	Kg/m	COD.
mm	inch	Cadena / Chain Chaîne	Eje / Spindle Axe			
82,5	3,25	<input type="checkbox"/> KV	<input type="checkbox"/> SS430	457	0,96	KV880M 325
114,3	4,50	<input type="checkbox"/> KV	<input type="checkbox"/> SS430	532	1,10	KV880M 450
82,5	3,25	<input type="checkbox"/> LF	<input type="checkbox"/> SS430	457	0,96	LF880M 325
114,3	4,50	<input type="checkbox"/> LF	<input type="checkbox"/> SS430	532	1,10	LF880M 450

Longitud standard / Standard Length /
Longueur standard: 3,048 m. - 10 ft

879 M



**NUEVO PRODUCTO
NEW PRODUCT
NOUVEAU PRODUIT
NEUES PRODUKT**



Pag.

C/90, C/91
C/105, C/108

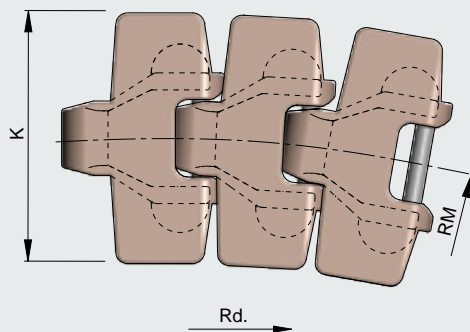
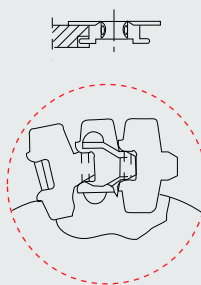
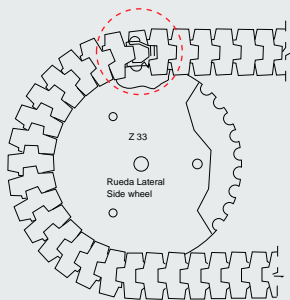
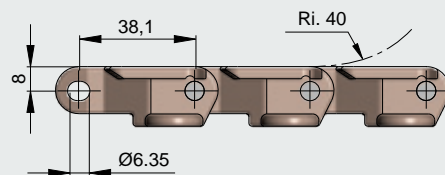
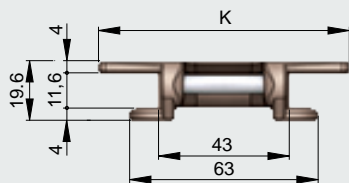
MAT. T/2

K		MAT.		RM	Kg/m	COD.
mm	inch	Cadena / Chain Chaîne	Eje / Spindle Axe			
82,5	3,25	<input type="checkbox"/> KV	<input type="checkbox"/> SS430	457	1,01	KV879M 325
114,3	4,50	<input type="checkbox"/> KV	<input type="checkbox"/> SS430	532	1,19	KV879M 450
82,5	3,25	<input type="checkbox"/> LF	<input type="checkbox"/> SS430	457	1,01	LF879M 325
114,3	4,50	<input type="checkbox"/> LF	<input type="checkbox"/> SS430	532	1,19	LF879M 450

Longitud standard / Standard Length /
Longueur standard: 3,048 m. - 10 ft

C

880 R



Pag.



C/90, C/91
C/74, C/98
C/105



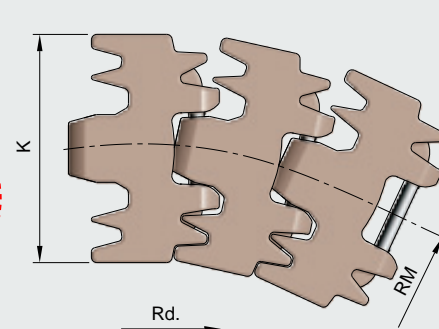
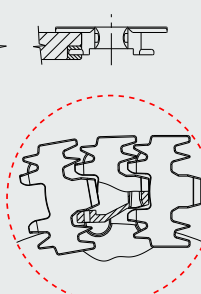
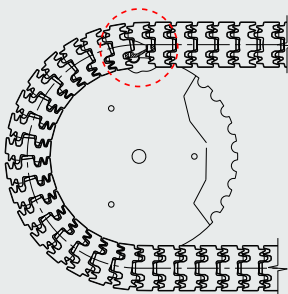
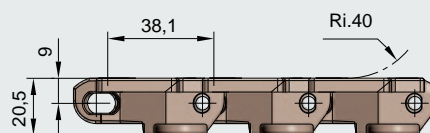
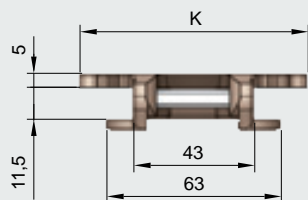
C/68, C/69

MAT. T/2

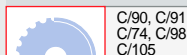
Longitud standard / Standard Length /
Longueur standard / Lieferlänge:
3,048 m. - 10 ft

K		MAT.		RM	Kg/m	COD.
mm	inch	Cadena / Chain Chaîne / Ketten	Eje / Spindle Axe / Spindel			
82,5	3,25	LF	SS304	200	0,89	LF880R325TAB
82,5	3,25	AW	SS304	200	0,89	AW880R325TAB

889 TAB



Pag.



C/90, C/91
C/74, C/98
C/105



C/67 C/69

MAT. T/2

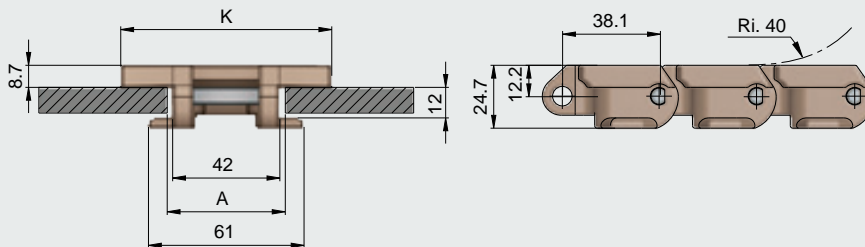
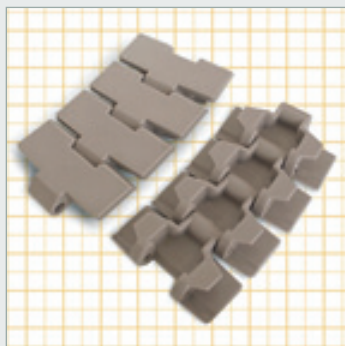
Longitud standard / Standard Length /
Longueur standard / Lieferlänge:
3,048 m. - 10 ft

■ - Mayor superficie de trabajo.
 - Piñón 880
 - Disco lateral 880R

■ - Plus grande surface de travail
 - Pignon 880
 - Disque lateral 880R

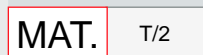
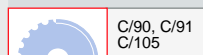
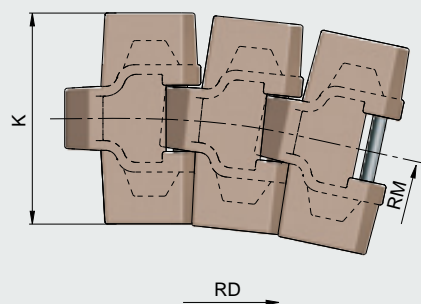
K		MAT.		RM	Kg/m	COD.
mm	inch	Cadena / Chain Chaîne / Ketten	Eje / Spindle Axe / Spindel			
82,5	3,25	KV	SS304	200	1,10	KV889 0325 TAB
82,5	3,25	LF	SS304	200	1,10	LF889 0325 TAB

887 TAB



**NUEVO PRODUCTO
NEW PRODUCT
NOUVEAU PRODUIT
NEUES PRODUKT**

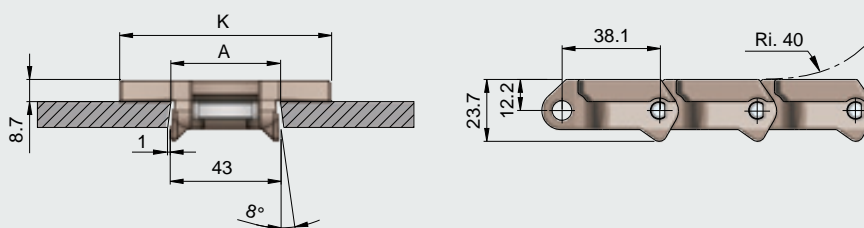
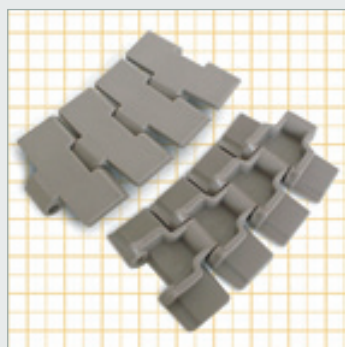
A < Recta / Straight / Droit / Gerade - 46
Curva / Curved / Courbed / Kurve - 44,2



K		MAT.		RM	Kg/m	COD.
mm	inch	Cadena / Chain Chaîne / Ketten	Eje / Spindle Axe / Spindel			
82,5	3,25	KV	SS304	500	1,50	KV887 325 TAB
82,5	3,25	LF	SS304	500	1,50	LF887 325 TAB

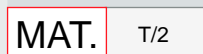
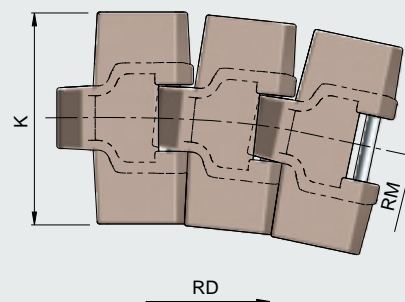
Longitud standard / Standard Length /
Longueur standard / Lieferlänge:
3,048 m. - 10 ft

887



**NUEVO PRODUCTO
NEW PRODUCT
NOUVEAU PRODUIT
NEUES PRODUKT**

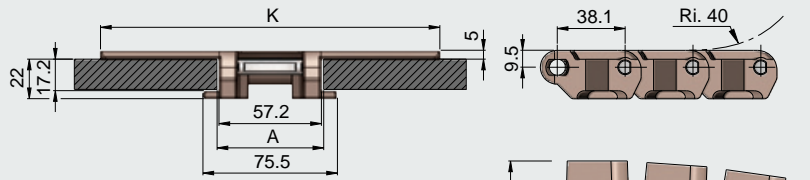
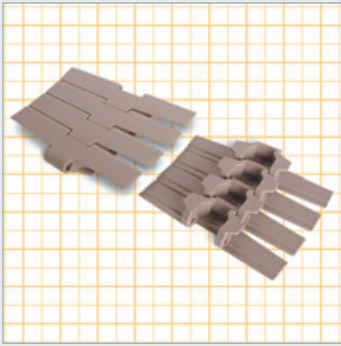
A < Recta / Straight / Droit / Gerade - 44,5
Curva / Curved / Courbed / Kurve - 41,4



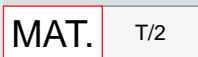
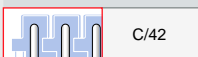
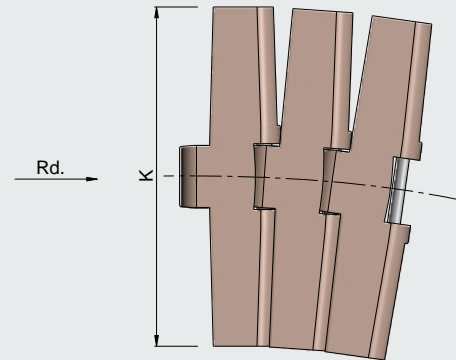
K		MAT.		RM	Kg/m	COD.
mm	inch	Cadena / Chain Chaîne / Ketten	Eje / Spindle Axe / Spindel			
82,5	3,25	KV	SS304	500	1,39	KV887 325
82,5	3,25	LF	SS304	500	1,39	LF887 325

Longitud standard / Standard Length /
Longueur standard / Lieferlänge:
3,048 m. - 10 ft

882 TAB



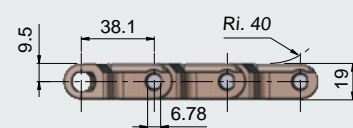
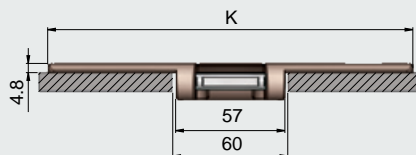
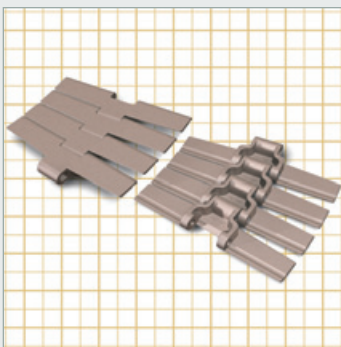
A < Recta/Straight/Droit/Gerade - 60
Curva/Curved/Courbed/Kurve - 58



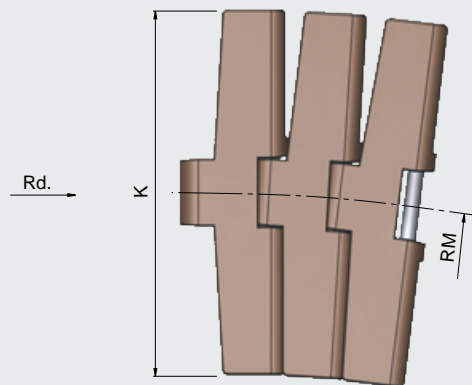
Longitud standard / Standard Length /
Longueur standard / Lieferlänge:
3,048 m. - 10 ft

K		MAT.		RM	Kg/m	COD.
mm	inch	Cadena / Chain Chaîne / Ketten	Eje / Spindle Axe / Spindel			
82,5	3,25	KV	SS304	610	1,84	KV882 0325 TAB
114,3	4,50				2,10	KV882 0450 TAB
190,5	7,50				2,43	KV882 0750 TAB
254	10,0				2,87	KV882 1000 TAB
304,8	12,0				3,41	KV882 1200 TAB
82,5	3,25	LF	SS304	610	1,84	LF882 0325 TAB
114,3	4,50				2,10	LF882 0450 TAB
190,5	7,50				2,43	LF882 0750 TAB
254	10,0				2,87	LF882 1000 TAB
304,8	12,0				3,41	LF882 1200 TAB
114,3	4,50	PP+FV	SS316	650	1,43	PS882 0450 TAB
190,5	7,50				1,70	PS882 0750 TAB
254	10,0				1,98	PS882 1000 TAB

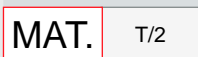
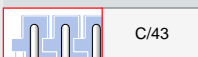
882 M



NUEVO PRODUCTO
NEW PRODUCT
NOUVEAU PRODUIT
NEUES PRODUKT

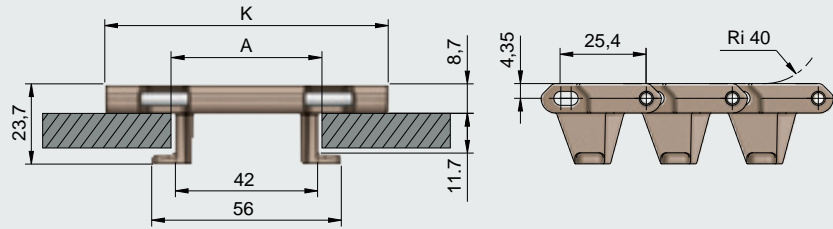
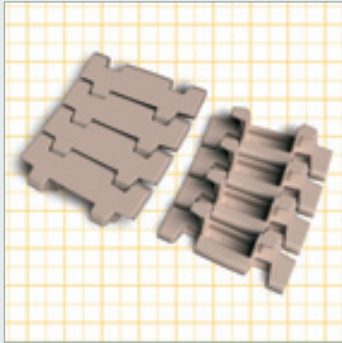


Longitud standard / Standard Length /
Longueur standard: 3,048 m. - 10 ft



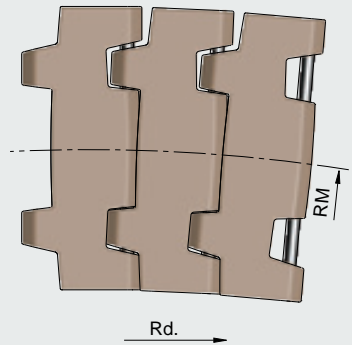
K		MAT.		RM	Kg/m	COD.
mm	inch	Cadena / Chain Chaîne	Eje / Spindle Axe			
190,5	7,50	KV	SS430	610	2,19	KV882M 0750
254,0	10,00				2,44	KV882M 1000
304,8	12,00				2,73	KV882M 1200
190,5	7,50	LF	SS430	610	2,19	LF882M 0750
254,0	10,00				2,44	LF882M 1000
304,8	12,00				2,73	LF882M 1200

7253 TAB



**NUEVO PRODUCTO
NEW PRODUCT
NOUVEAU PRODUIT
NEUES PRODUKT**

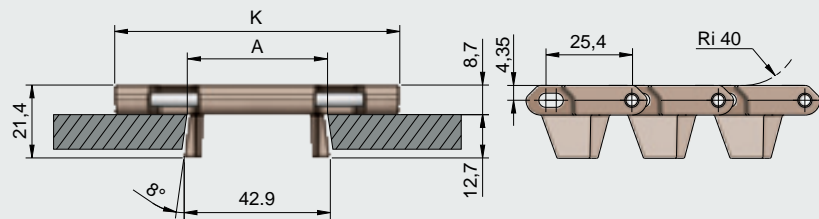
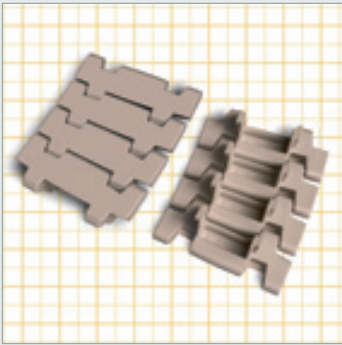
A < Recta / Straight / Droit / Gerade - 46
Curva / Curved / Courbed / Kurve - 44,2



Longitud standard / Standard Length /
Longueur standard / Lieferlänge:
3,048 m. - 10 ft

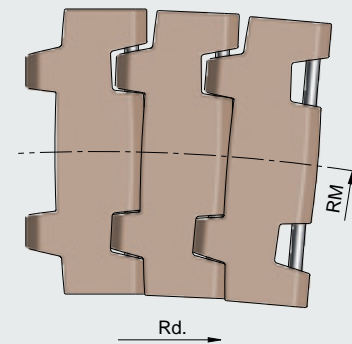
K		MAT.		RM	Kg/m	COD.
mm	inch	Cadena / Chain Chaîne / Ketten	Eje / Spindle Axe / Spindel			
83,7	3,3	KV	SS304	500	1,14	KV725301TAB
83,7	3,3	LF	SS304	500	1,14	LF725301TAB

7253




**NUEVO PRODUCTO
NEW PRODUCT
NOUVEAU PRODUIT
NEUES PRODUKT**

A < Recta / Straight / Droit / Gerade - 44,5
Curva / Curved / Courbed / Kurve - 41,4



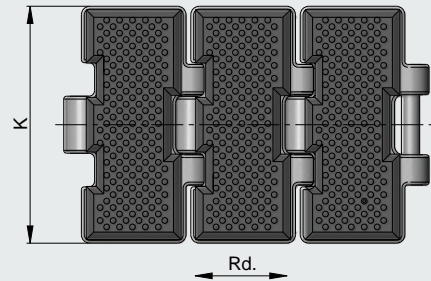
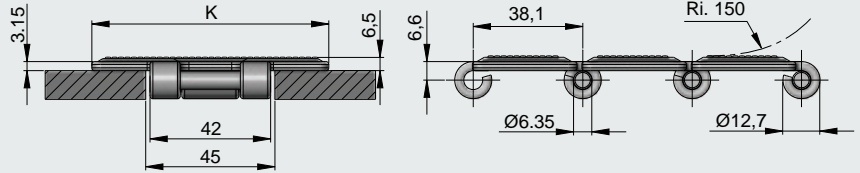
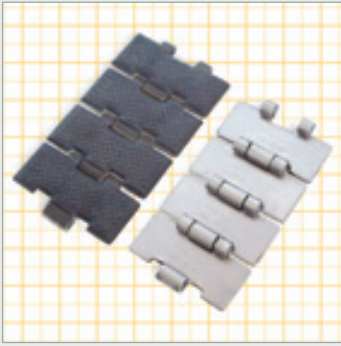
Longitud standard / Standard Length /
Longueur standard / Lieferlänge:
3,048 m. - 10 ft

K		MAT.		RM	Kg/m	COD.
mm	inch	Cadena / Chain Chaîne / Ketten	Eje / Spindle Axe / Spindel			
83,7	3,3	KV	SS304	500	1,10	KV725301
83,7	3,3	LF	SS304	500	1,10	LF725301



**CADENAS RECTAS CON GOMA
RUBBER TOP STRAIGHT RUNNING CHAINS
CHAÎNES DROITES AVEC REVÊTEMENT CAOUTCHOUC
GERADEGÄNGIGE SCHARNIERBANDKETTEN MIT GUMMIAUFLAGE**

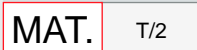
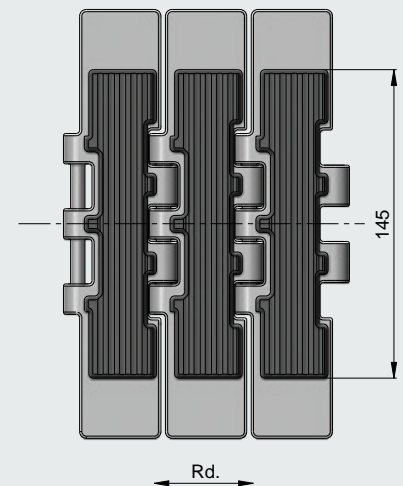
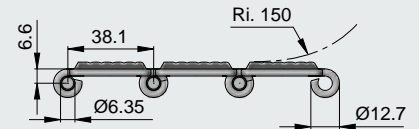
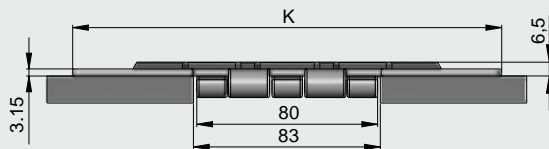
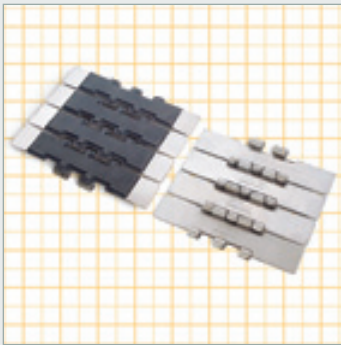
815 G



Longitud standard / Standard Length /
Longueur standard / Lieferlänge: 3,048 m. - 10 ft

K		MAT.		Kg/m	COD.
mm	inch	Cadena / Chain Chaîne / Ketten	Eje / Spindle Axe / Spindel		
82,5	3,25	SSC	SS420	2,65	SSC815G 325

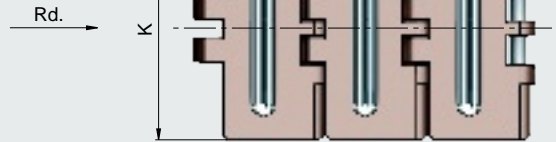
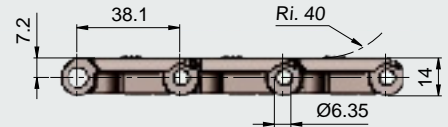
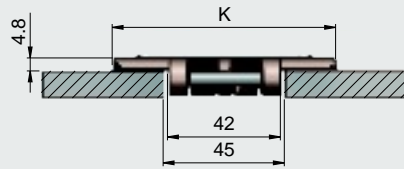
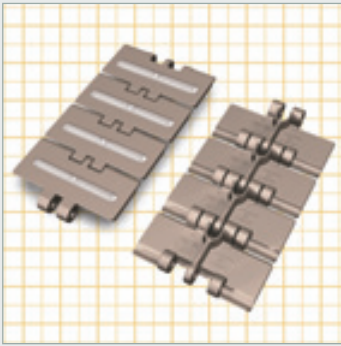
805 G



Longitud standard / Standard Length /
Longueur standard / Lieferlänge: 3,048 m. - 10 ft

K		MAT.		Kg/m	COD.
mm	inch	Cadena / Chain Chaîne / Ketten	Eje / Spindle Axe / Spindel		
190,5	7,5	SSC	SS420	6,20	SSC805G 750

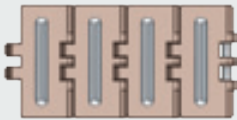
831 GF



**NUEVO PRODUCTO
NEW PRODUCT
NOUVEAU PRODUIT
NEUES PRODUKT**



Tipo / Type / Typ : **T1**



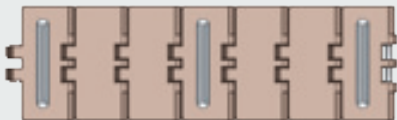
K		G	MAT.		Kg/m	COD.
mm	inch		Cadena / Chain Chaîne	Eje / Spindle Axe		
82,5	3,25	68	LF	SS304	0,84	LF831GF0325T1

Tipo / Type / Typ : **T2**



K		G	MAT.		Kg/m	COD.
mm	inch		Cadena / Chain Chaîne	Eje / Spindle Axe		
82,5	3,25	68	LF	SS304	0,84	LF831GF0325T2

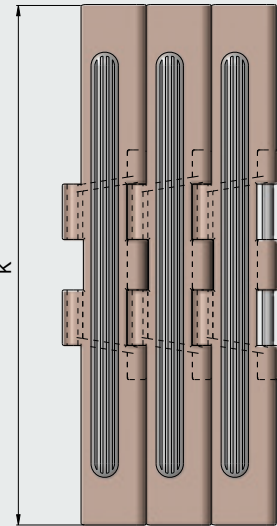
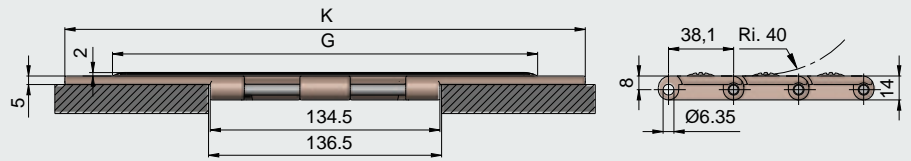
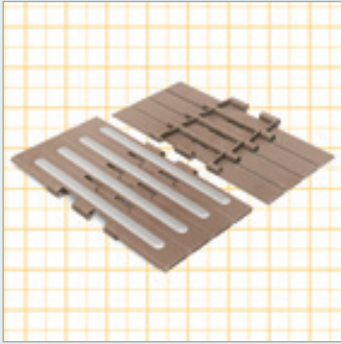
Tipo / Type / Typ : **T3**



K		G	MAT.		Kg/m	COD.
mm	inch		Cadena / Chain Chaîne	Eje / Spindle Axe		
82,5	3,25	68	LF	SS304	0,84	LF831GF0325T3

Longitud standard / Standard Length / Longueur standard / Lieferlänge: 3,048 m. - 10 ft

821GF



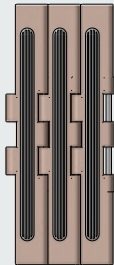
C/85, C/86
C/87, C/88
C/106, C/109

C/23

C/47

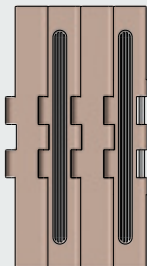
MAT. T/2

Tipo / Type / Typ : T1



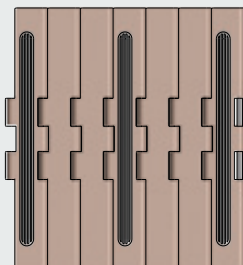
K		G	MAT.		Kg/m	COD.
mm	inch		Cadena / Chain Chaîne / Ketten	Eje / Spindle Axe / Spindel		
190,5	7,50	132	LF	SS304	2,45	LF821GF075T1
254,0	10,00	195			2,90	LF821GF100T1
304,8	12,00	245			3,20	LF821GF120T1

Tipo / Type / Typ : T2



K		G	MAT.		Kg/m	COD.
mm	inch		Cadena / Chain Chaîne / Ketten	Eje / Spindle Axe / Spindel		
190,5	7,50	132	LF	SS304	2,47	LF821GF075T2
254,0	10,00	195			2,92	LF821GF100T2
304,8	12,00	245			3,22	LF821GF120T2

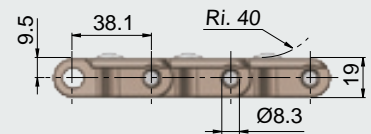
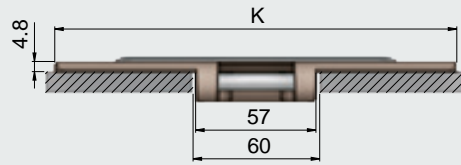
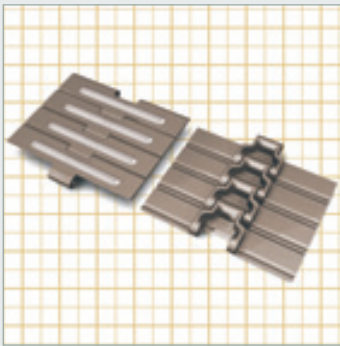
Tipo / Type / Typ : T3



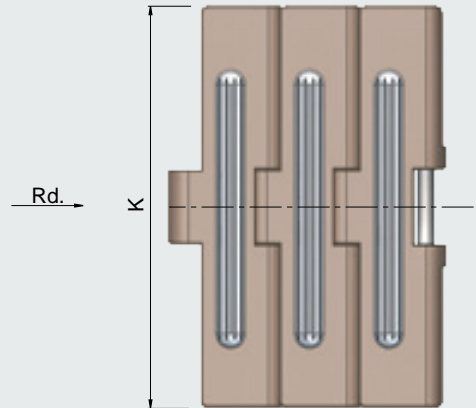
K		G	MAT.		Kg/m	COD.
mm	inch		Cadena / Chain Chaîne / Ketten	Eje / Spindle Axe / Spindel		
190,5	7,50	132	LF	SS304	2,43	LF821GF075T3
254,0	10,00	195			2,93	LF821GF100T3
304,8	12,00	245			3,23	LF821GF120T3

Longitud standard / Standard Length / Longueur standard / Lieferlänge: 3,048 m. - 10 ft

8257 GF



**NUEVO PRODUCTO
NEW PRODUCT
NOUVEAU PRODUIT
NEUES PRODUKT**



Pag.

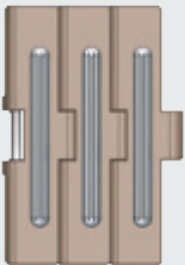
C/99, C/100

C/23

C/47

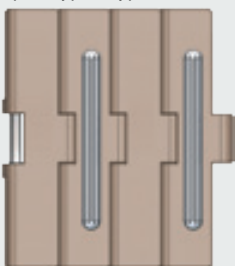
MAT. T/2

Tipo / Type / Typ : **T1**



K		G	MAT.		Kg/m	COD.
mm	inch		Cadena / Chain Chaîne	Eje/Spindle Axe		
190,5	7,50	160			2,42	LF8257GF0750T1
254,0	10,00	200	LF	SS304	2,81	LF8257GF1000T1
304,8	12,00	240			3,13	LF8257GF1200T1

Tipo / Type / Typ : **T2**



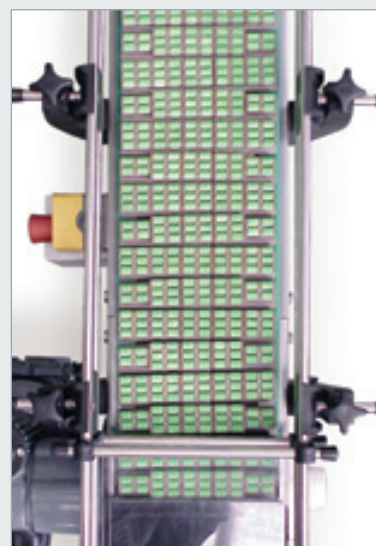
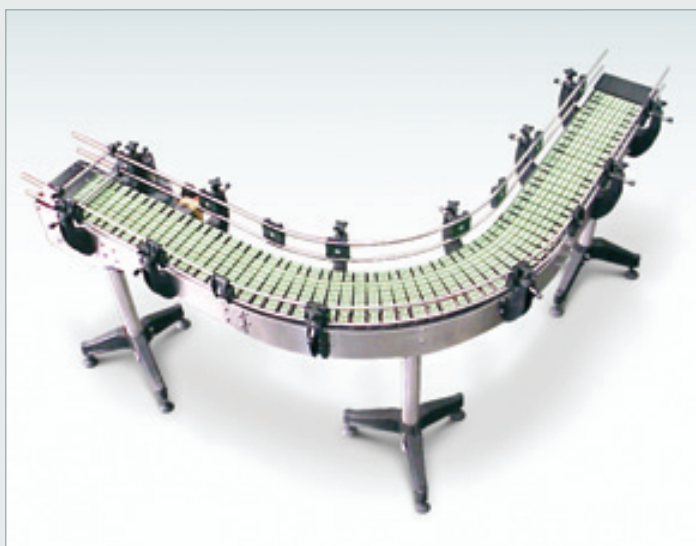
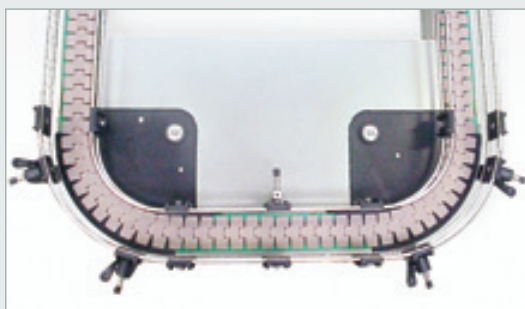
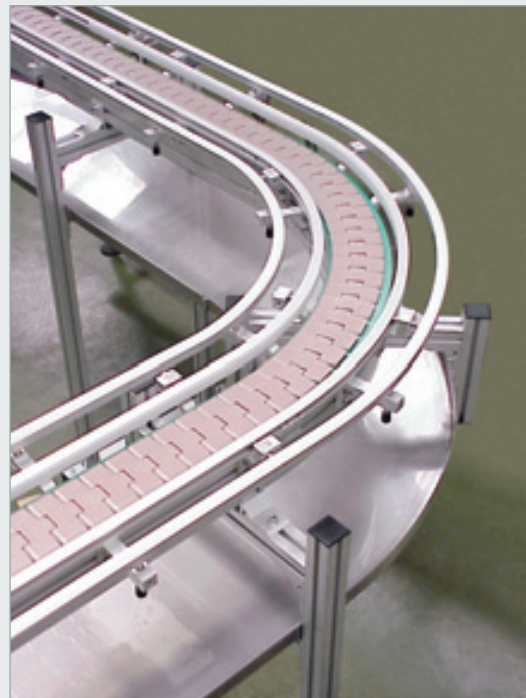
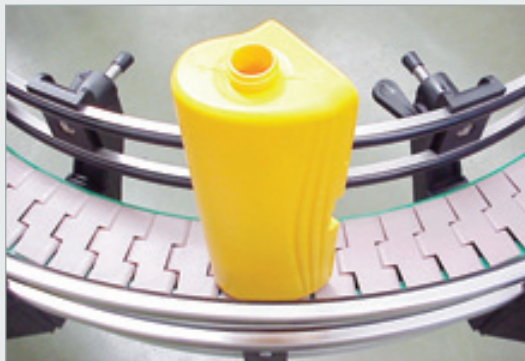
K		G	MAT.		Kg/m	COD.
mm	inch		Cadena / Chain Chaîne	Eje/Spindle Axe		
190,5	7,50	160			2,42	LF8257GF0750T2
254,0	10,00	200	LF	SS304	2,81	LF8257GF1000T2
304,8	12,00	240			3,13	LF8257GF1200T2


Tipo / Type / Typ : **T3**



K		G	MAT.		Kg/m	COD.
mm	inch		Cadena / Chain Chaîne	Eje/Spindle Axe		
190,5	7,50	160			2,42	LF8257GF0750T3
254,0	10,00	200	LF	SS304	2,81	LF8257GF1000T3
304,8	12,00	240			3,13	LF8257GF1200T3

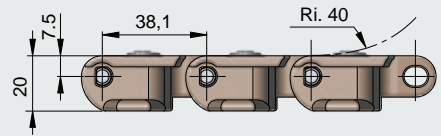
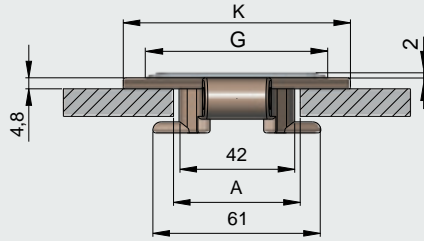
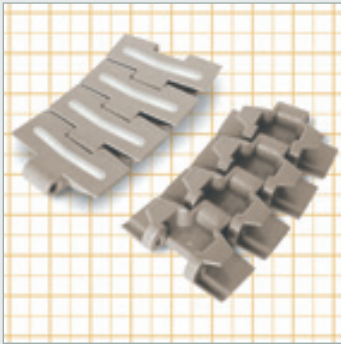
Longitud standard / Standard Length / Longueur standard / Lieferlänge: 3,048 m. - 10 ft





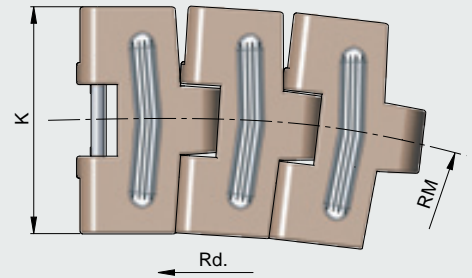
**CADENAS CURVAS CON GOMA
RUBBER TOP SIDE FLEXING CHAINS
CHAÎNES À FLEXION LATÉRALE AVEC REVÊTEMENT CAOUTCHOUC
KURVENGÄNGIGE SCHARNIERBANDKETTEN MIT GUMMIAUFLAGE**

879 TAB GF



A < Recta/Straight/Droit/Gerade - 46
Curva/Curved/Courbed/Kurve - 44,2

**NUEVO PRODUCTO
NEW PRODUCT
NOUVEAU PRODUIT**



Pag.

C/90, C/91

C/27

MAT. T/2

Tipo / Type / Typ : 1



K		G	MAT.		RM	Kg/m	COD.
mm	inch		Cadena / Chain Chaîne	Eje/Spindle Axe			
82,5	3,25	68	LF	SS304	457	0,96	LF879TABGF325T1
114,3	4,50	100			532	1,14	LF879TABGF450T1

Tipo / Type / Typ : 2



K		G	MAT.		RM	Kg/m	COD.
mm	inch		Cadena / Chain Chaîne	Eje/Spindle Axe			
82,5	3,25	68	LF	SS304	457	0,96	LF879TABGF325T2
114,3	4,50	100			532	1,14	LF879TABGF450T2

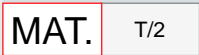
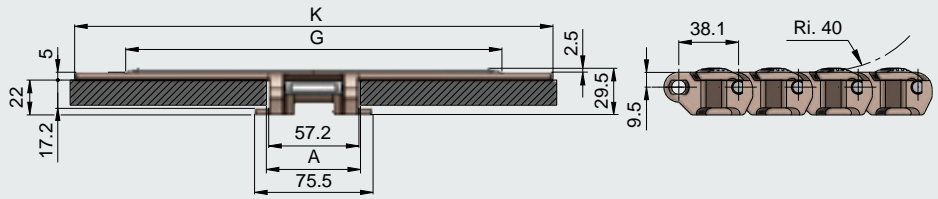
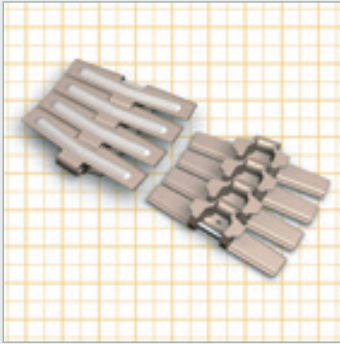
Tipo / Type / Typ : 3



K		G	MAT.		RM	Kg/m	COD.
mm	inch		Cadena / Chain Chaîne	Eje/Spindle Axe			
82,5	3,25	68	LF	SS304	457	0,96	LF879TABGF325T3
114,3	4,50	100			532	1,14	LF879TABGF450T3

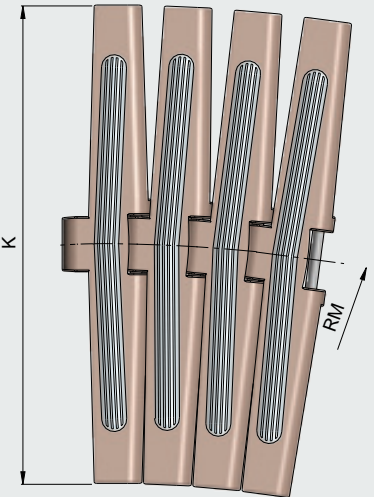
Longitud standard / Standard Length / Longueur standard / Lieferlänge: 3,048 m. - 10 ft

882 TAB GF

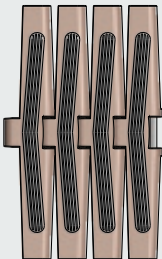


A < Recta / Straight / Droit / Gerade - 60
Curva / Curved / Courbé / Kurve - 58

Rd.

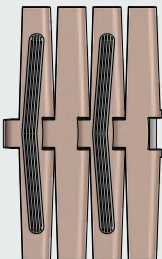


Tipo / Type / Typ : T1



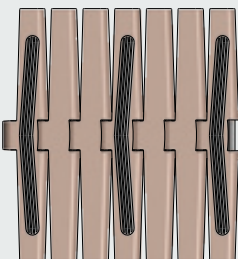
K		G	MAT.		RM	Kg/m	COD.
mm	inch		Cadena / Chain Chaîne / Ketten	Eje/Spindle Axe/Spindel			
114,3	4,50	100	LF	SS304	610	2,05	LF882GF045T1
190,5	7,50	160				2,38	LF882GF075T1
254	10,0	200				2,82	LF882GF100T1
304,8	12,0	240				3,36	LF882GF120T1

Tipo / Type / Typ : T2



K		G	MAT.		RM	Kg/m	COD.
mm	inch		Cadena / Chain Chaîne / Ketten	Eje/Spindle Axe/Spindel			
114,3	4,50	100	LF	SS304	610	2,07	LF882GF045T2
190,5	7,50	160				2,40	LF882GF075T2
254	10,0	200				2,84	LF882GF100T2
304,8	12,0	240				3,38	LF882GF120T2

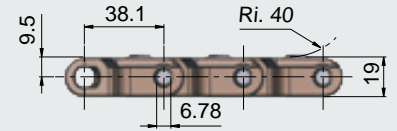
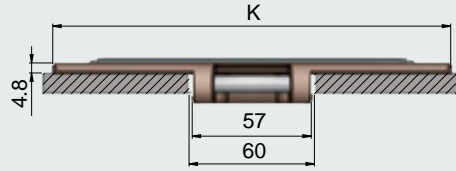
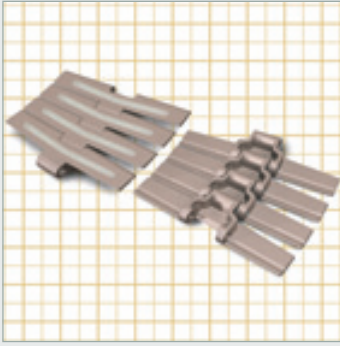
Tipo / Type / Typ : T3



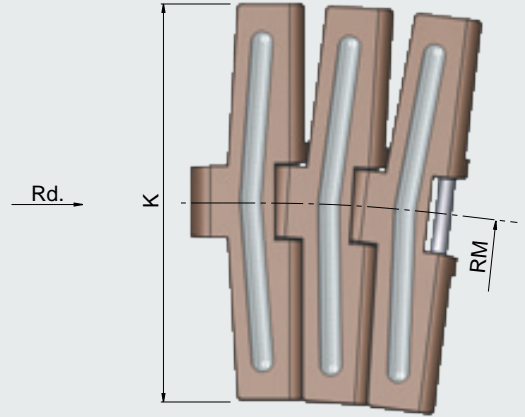
K		G	MAT.		RM	Kg/m	COD.
mm	inch		Cadena / Chain Chaîne / Ketten	Eje/Spindle Axe/Spindel			
114,3	4,50	100	LF	SS304	610	2,08	LF882GF045T3
190,5	7,50	160				2,41	LF882GF075T3
254	10,0	200				2,85	LF882GF100T3
304,8	12,0	240				3,39	LF882GF120T3

Longitud standard / Standard Length / Longueur standard / Lieferlänge: 1,52 m. - 5 ft

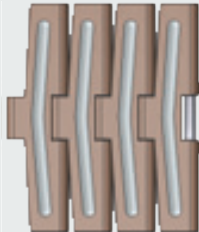
882 M GF



**NUEVO PRODUCTO
NEW PRODUCT
NOUVEAU PRODUIT
NEUES PRODUKT**

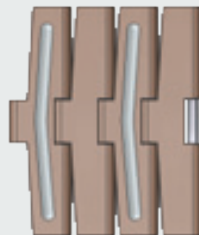


Tipo / Type / Typ : **T1**



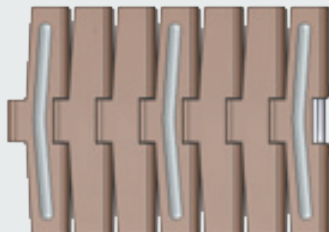
K		G	MAT.		RM	Kg/m	COD.
mm	inch		Cadena / Chain Chaîne	Eje/Spindle Axe			
190,5	7,50	160	LF	SS304	610	2,14	LF882MGF0750T1
254,0	10,00	200			610	2,44	LF882MGF1000T1
304,8	12,00	240			610	2,68	LF882MGF1200T1

Tipo / Type / Typ : **T2**



K		G	MAT.		RM	Kg/m	COD.
mm	inch		Cadena / Chain Chaîne	Eje/Spindle Axe			
190,5	7,50	160	LF	SS304	610	2,14	LF882MGF0750T2
254,0	10,00	200			610	2,44	LF882MGF1000T2
304,8	12,00	240			610	2,68	LF882MGF1200T2

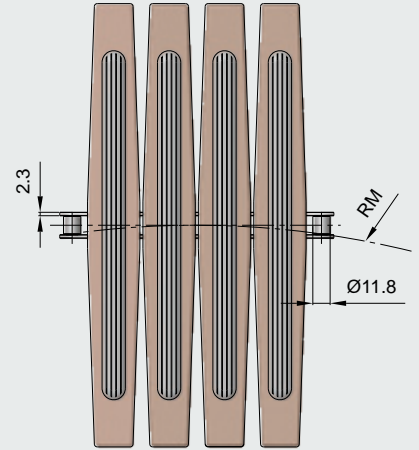
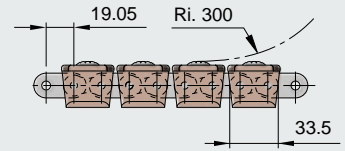
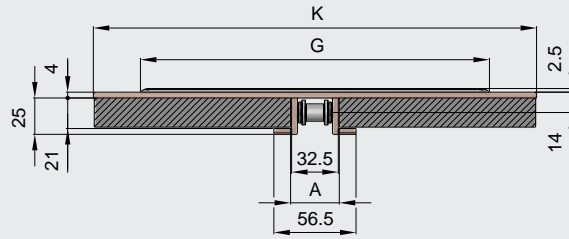
Tipo / Type / Typ : **T3**



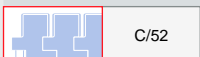
K		G	MAT.		RM	Kg/m	COD.
mm	inch		Cadena / Chain Chaîne	Eje/Spindle Axe			
190,5	7,50	160	LF	SS304	610	2,14	LF882MGF0750T3
254,0	10,00	200			610	2,44	LF882MGF1000T3
304,8	12,00	240			610	2,68	LF882MGF1200T3

Longitud standard / Standard Length / Longueur standard / Lieferlänge: 1,52 m. - 5 ft

1873 GF

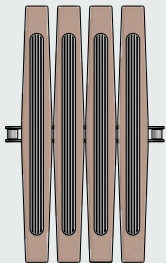


A < Recta/Straight/Droit/Grade - 33,5
Curva/Curved/Courbed/Kurve - 34,7



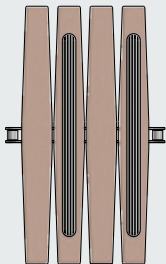
* Standard ASA 60

Tipo / Type / Typ : T1



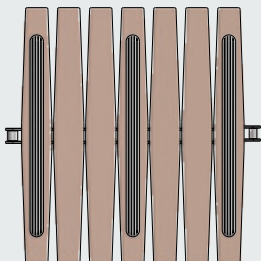
K		G	MAT.		RM	Kg/m	COD.
mm	inch		Platillo/Plate Palettes/Platten	Cadena base / Base Chain Chaîne de base / Grundkette			
304,8	12,0	240	LF	S	610	2,95	LF1873GF120T1

Tipo / Type / Typ : T2



K		G	MAT.		RM	Kg/m	COD.
mm	inch		Platillo/Plate Palettes/Platten	Cadena base / Base Chain Chaîne de base / Grundkette			
304,8	12,0	240	LF	S	610	2,95	LF1873GF120T2

Tipo / Type / Typ : T3



K		G	MAT.		RM	Kg/m	COD.
mm	inch		Platillo/Plate Palettes/Platten	Cadena base / Base Chain Chaîne de base / Grundkette			
304,8	12,0	240	LF	S	610	2,95	LF1873GF120T3

Longitud standard / Standard Length / Longueur standard / Lieferlänge: 3,048 m. - 10 ft

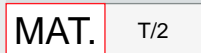
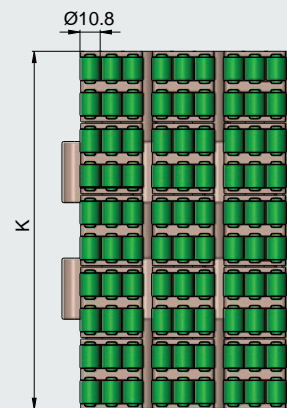
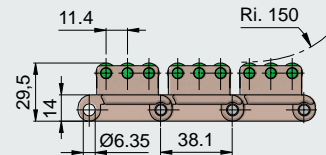
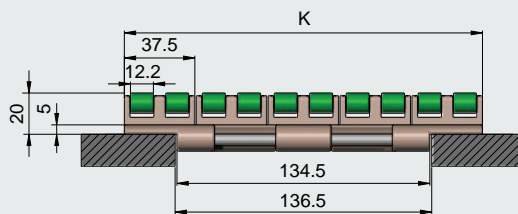
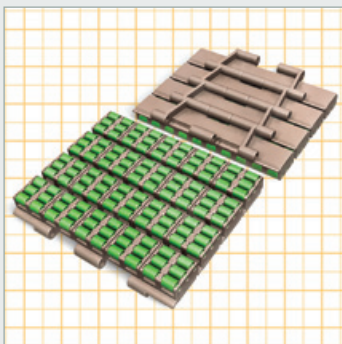
C

Lined writing area with horizontal red lines on a light gray background.



**CADENAS DE ACUMULACIÓN
ACCUMULATION CHAINS
CHAÎNES D'ACCUMULATION
STAUFÖRDERKETTEN**

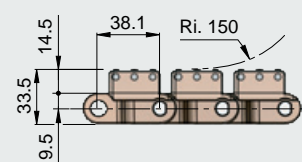
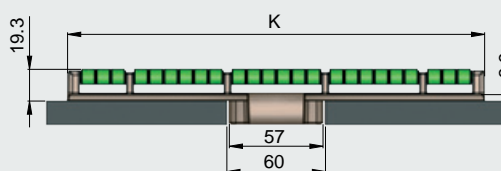
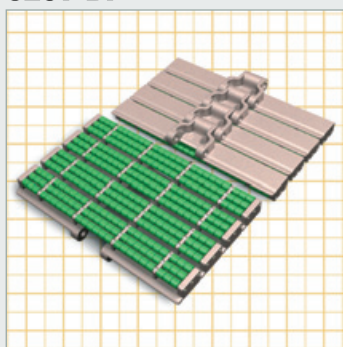
821 BPM



Longitud standard / Standard Length /
Longueur standard / Lieferlänge: 1,52 m. - 5 ft

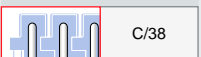
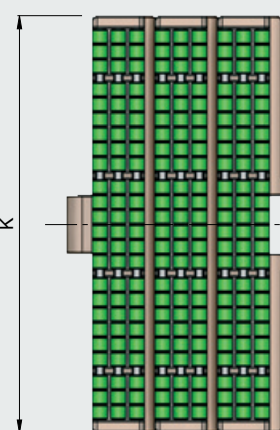
K		MAT.		Kg/m	COD.
mm	inch	Cadena / Chain Chaîne / Ketten	Eje/Spindle Axe/Spindel		
190,5	7,50			5,14	LF821BPM075
254,0	10,00	LF	SS304	6,26	LF821BPM100
304,8	12,00			7,34	LF821BPM120

8257 BP



A < Recta/Straight/Droit/Gerade - 60
Curva/Curved/Courbed/Kurve - 58

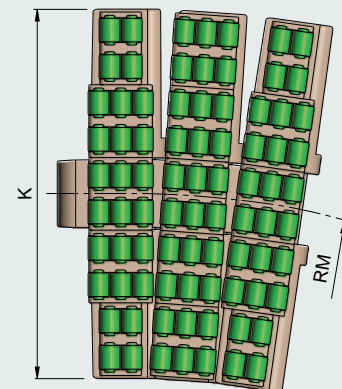
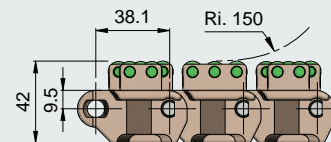
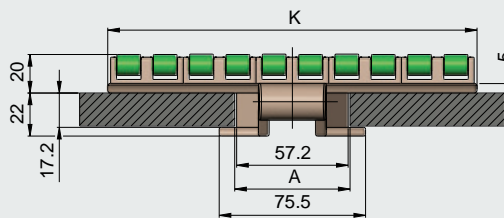
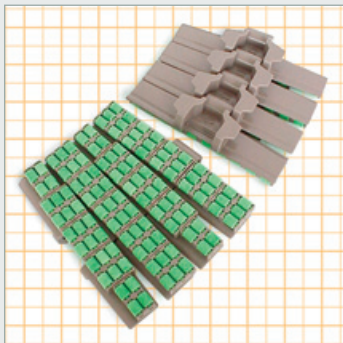
**NUEVO PRODUCTO
NEW PRODUCT
NOUVEAU PRODUIT
NEUES PRODUKT**



Longitud standard / Standard Length /
Longueur standard / Lieferlänge: 1,52 m. - 5 ft

K		MAT.		Kg/m	COD.
mm	inch	Cadena / Chain Chaîne / Ketten	Eje/Spindle Axe/Spindel		
190,5	7,50			5,55	LF8257 BP 075
254,0	10,00	LF	SS304	7,30	LF8257 BP 100
304,8	12,00			8,47	LF8257 BP 120

882 TAB BPM



A < Recta/Straight/Droit/Gerade - 60
Curva/Curved/Courbed/Kurve - 58

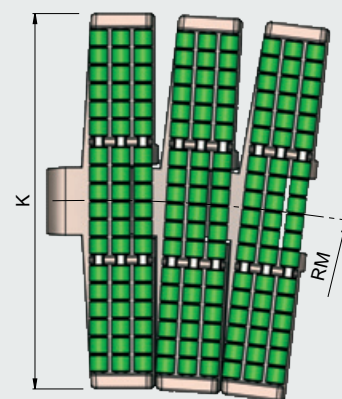
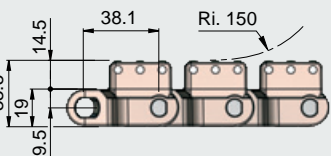
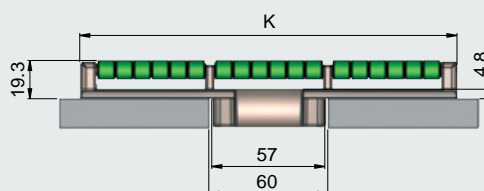
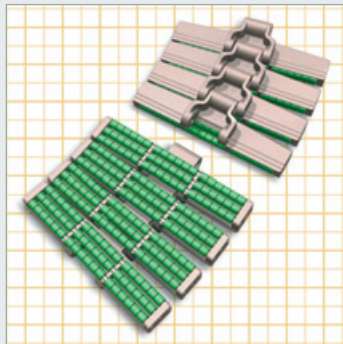
Rd.



Longitud standard / Standard Length /
Longueur standard / Lieferlänge: 1,52 m. - 5 ft

K		MAT.		RM	Kg/m	COD.
mm	inch	Cadena / Chain Chaîne / Ketten	Eje / Spindle Axe / Spindel			
114,3	4,50	LF	SS304	610	4,10	LF882BPM045TAB
190,5	7,50				5,05	LF882BPM075TAB
254	10,0				5,86	LF882BPM100TAB
304,8	12,0				6,87	LF882BPM120TAB

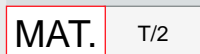
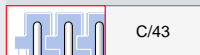
882 M BP



A < Recta/Straight/Droit/Gerade - 60
Curva/Curved/Courbed/Kurve - 58

Rd.

**NUEVO PRODUCTO
NEW PRODUCT
NOUVEAU PRODUIT
NEUES PRODUKT**



Longitud standard / Standard Length /
Longueur standard / Lieferlänge: 1,52 m. - 5 ft

K		MAT.		RM	Kg/m	COD.
mm	inch	Cadena / Chain Chaîne / Ketten	Eje / Spindle Axe / Spindel			
190,5	7,50	LF	SS304	610	5,03	LF882 M BP 075
254,0	10,00				6,10	LF882 M BP 100
304,8	12,00				6,92	LF882 M BP 120

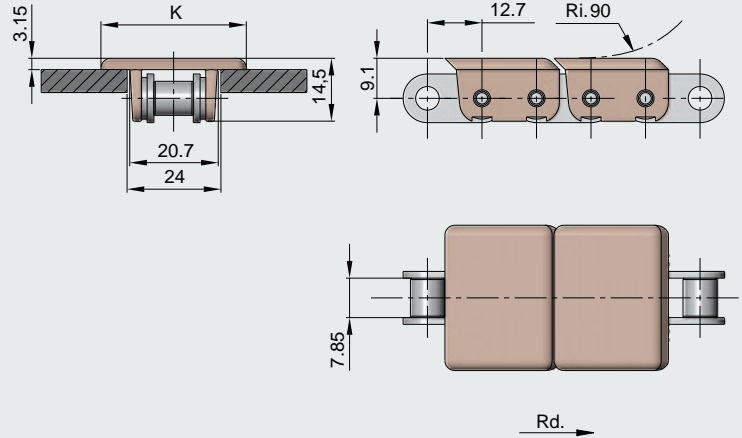
C

Ruled writing area with horizontal lines.



**OTRAS CADENAS
OTHER CHAINS
AUTRES CHÂÎNES
VERSCHIEDENE KETTEN**

843



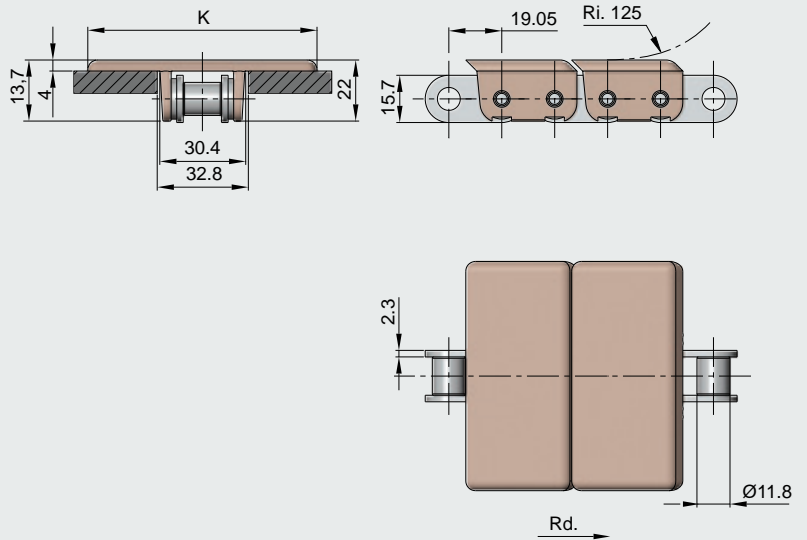
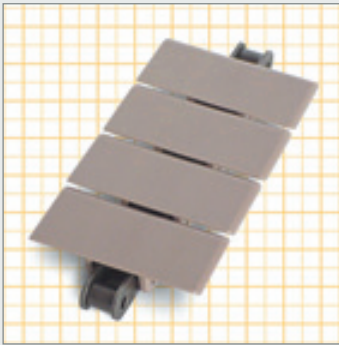
MAT. T/2

* Standard ASA 40

Longitud standard / Standard Length /
Longueur standard / Lieferlänge: 3,048 m. - 10 ft

K		MAT.		Kg/m	COD.
mm	inch	Platillo/Plate Palettes/Platten	Cadena base / Base Chain Chaîne de base / Grundkette		
34,9	1,38	LF	S	0,83	LF843 138
36,5	1,44			0,84	LF843 144
50,8	2,00			0,89	LF843 200
82,5	3,25			1,03	LF843 325
34,9	1,38	LF	SS304	0,83	LF843SS 138
36,5	1,44			0,84	LF843SS 144
50,8	2,00			0,89	LF843SS 200
82,5	3,25			1,03	LF843SS 325

863



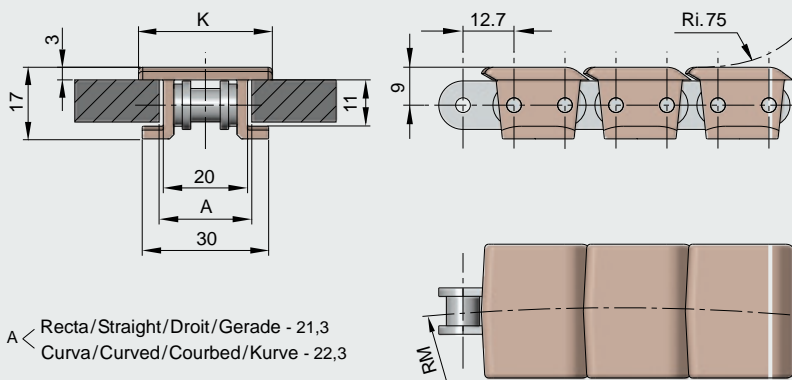
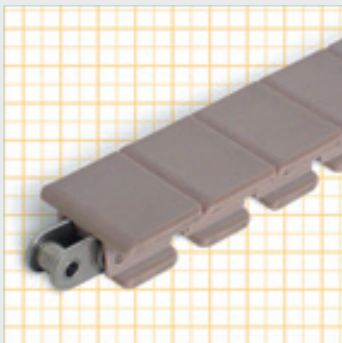
MAT. T/2

* Standard ASA 60

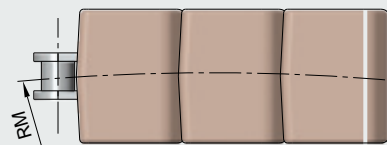
Longitud standard / Standard Length /
Longueur standard / Lieferlänge: 3,048 m. - 10 ft

K		MAT.		Kg/m	COD.
mm	inch	Platillo/Plate Palettes/Platten	Cadena base / Base Chain Chaîne de base / Grundkette		
82,5	3,25	LF	S	2,10	LF863 325
114,3	4,50			2,23	LF863 450
152,4	6,00			2,53	LF863 600
190,5	7,50			2,68	LF863 750
82,5	3,25	LF	SS304	2,10	LF863SS 325
114,3	4,50			2,23	LF863SS 450
152,4	6,00			2,63	LF863SS 600
190,5	7,50			2,68	LF863SS 750

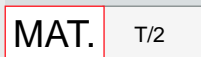
1843 TAB



A < Recta/Straight/Droit/Gerade - 21,3
Curva/Curved/Courbed/Kurve - 22,3



Rd. →

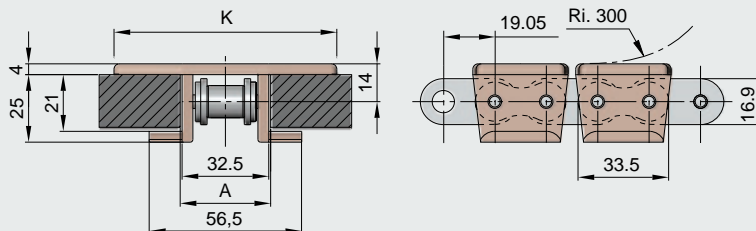
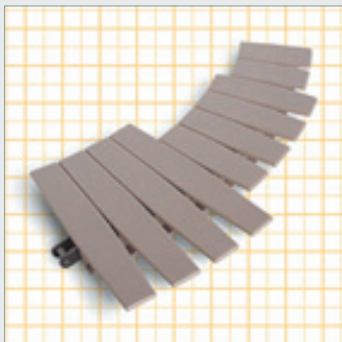


* Standard ASA 40

Longitud standard / Standard Length /
Longueur standard / Lieferlänge: 3,048 m. - 10 ft

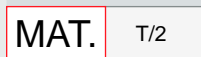
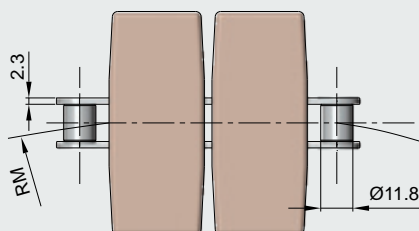
K		MAT.		RM	Kg/m	COD.
mm	inch	Platillo/Plate Palettes/Platten	Cadena base / Base Chain Chaîne de base / Grundkette			
31,8	1,25	LF	S	350	0,90	LF1843 125TAB
82,5	3,25		S	350	1,10	LF1843 325TAB
31,8	1,25	LF	SS304	350	0,90	LF1843SS 125TAB
82,5	3,25		SS304	350	1,10	LF1843SS 325TAB

1873 TAB



A < Recta/Straight/Droit/Gerade - 33,5
Curva/Curved/Courbed/Kurve - 34,7

Rd. →

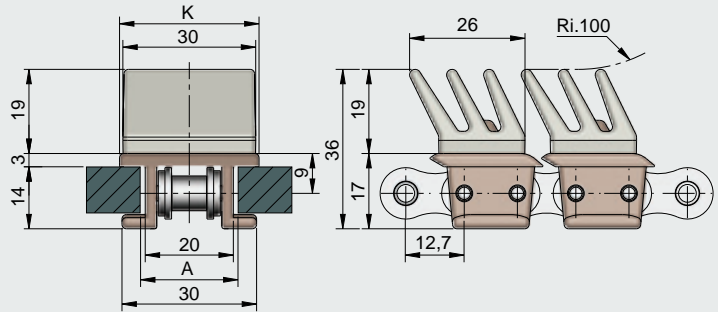
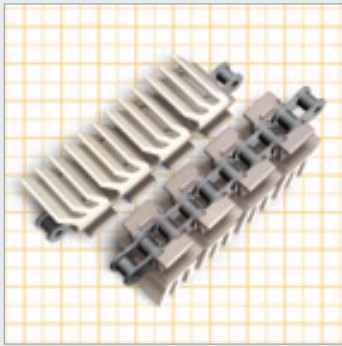


* Standard ASA 60

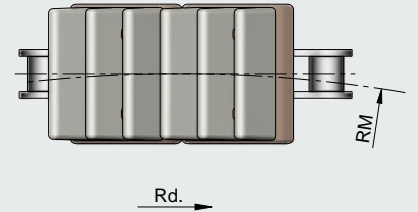
Longitud standard /
Standard Length /
Longueur standard /
Lieferlänge: 3,048 m. - 10 ft

K		MAT.		RM	Kg/m	COD.
mm	inch	Platillo/Plate Palettes/Platten	Cadena base / Base Chain Chaîne de base / Grundkette			
57,2	2,25	LF	S	356	2,00	LF1873 225TAB
82,5	3,25			356	2,10	LF1873 325TAB
114,3	4,50			356	2,30	LF1873 450TAB
152,4	6,00			457	2,40	LF1873 600TAB
190,5	7,52			457	2,60	LF1873 750TAB
254,0	10,00			610	2,80	LF1873 1000TAB
304,8	12,00	610	3,00	LF1873 1200TAB		
57,2	2,25	LF	SS304	356	2,00	LF1873SS 225TAB
82,5	3,25			356	2,10	LF1873SS 325TAB
114,3	4,50			356	2,30	LF1873SS 450TAB
152,4	6,00			457	2,40	LF1873SS 600TAB
190,5	7,50			457	2,60	LF1873SS 750TAB
254,0	10,00			610	2,80	LF1873SS 1000TAB
304,8	12,00	610	3,00	LF1873SS 1200TAB		

1843 EG



A < Recta/Straight/Droit/Gerade - 21,3
Curva/Curved/Courbed/Kurve - 22,3

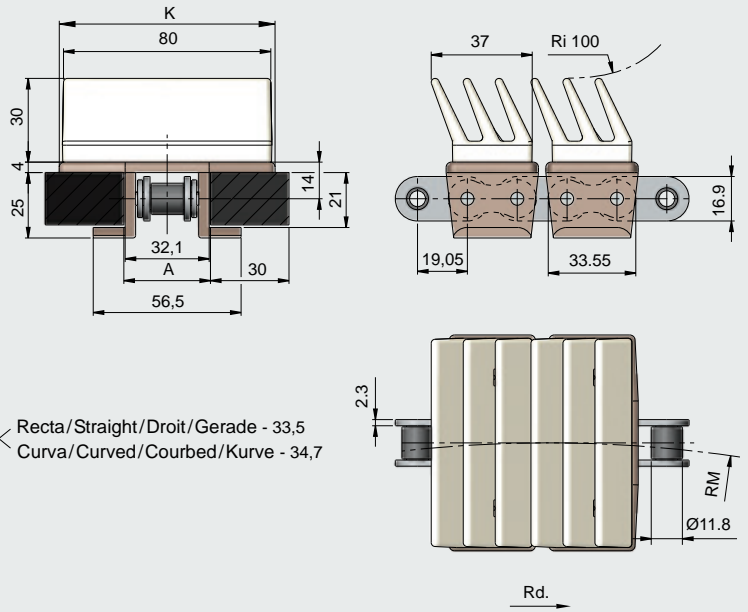
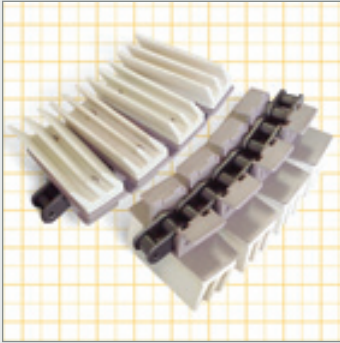


* Standard ASA 40

Longitud standard /
Standard Length /
Longueur standard /
Lieferlänge: 3,048 m. - 10 ft

K		MAT.		RM	Kg/m	COD.
mm	inch	Platillo / Plate Palettes / Platten	Cadena base / Base Chain Chaîne de base / Grundkette			
31,8	1,25	LF	S	350	1,03	LF1843EG 125TAB
31,8	1,25		SS304	350	1,03	LF1843SSEG 125TAB

1873 EG



A $\left\{ \begin{array}{l} \text{Recta/Straight/Droit/Gerade} - 33,5 \\ \text{Curva/Curved/Courbed/Kurve} - 34,7 \end{array} \right.$



MAT. T/2

* Standard ASA 60

Longitud standard /
Standard Length /
Longueur standard /
Lieferlänge: 3,048 m. - 10 ft

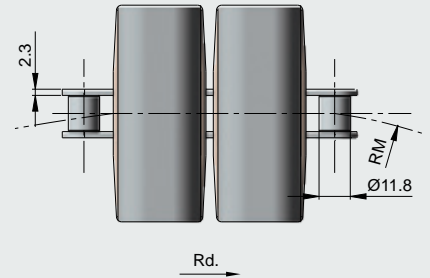
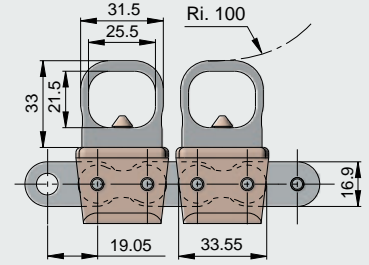
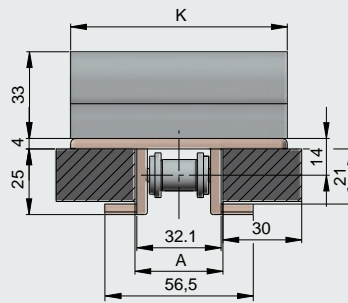
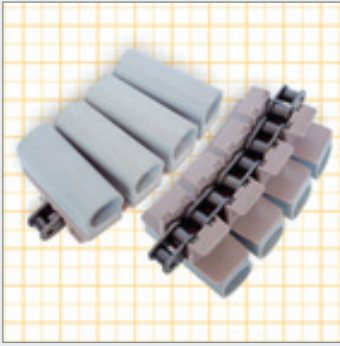
K		MAT.		RM	Kg/m	COD.
mm	inch	Platillo/Plate Palettes/Platten	Cadena base / Base Chain Chaîne de base / Grundkette			
82,5	3,25	LF	S	356	3,70	LF1873EG 325TAB
82,5	3,25		SS304	356	3,70	LF1873SSEEG 325TAB



CADENA DE PLATILLOS / PLATE CHAINS

CHAÎNES À PALETTES / SCHARNIERBANDKETTEN

1873 GA



A < Recta/Straight/Droit/Gerade - 33,5
Curva/Curved/Courbed/Kurve - 34,7



* Standard ASA 60

Longitud standard /
Standard Length /
Longueur standard /
Lieferlänge: 3,048 m. - 10 ft

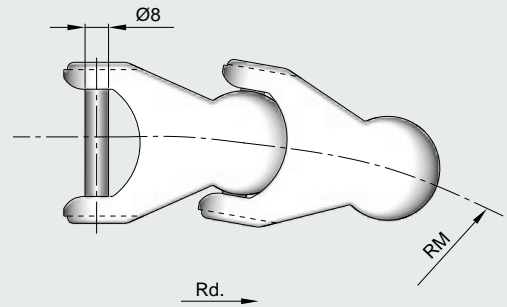
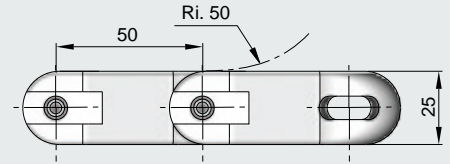
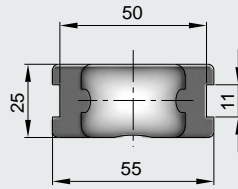
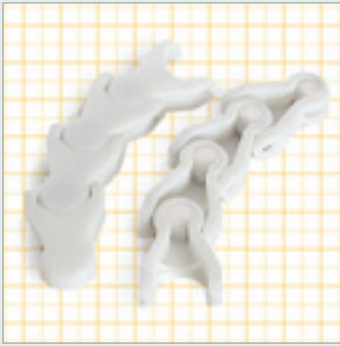
K		MAT.		RM	Kg/m	COD.
mm	inch	Platillo/Plate Palettes/Platten	Cadena base / Base Chain Chaîne de base / Grundkette			
82,5	3,25	LF	S	356	3,60	LF1873GA 325TAB
82,5	3,25		SS304	356	3,60	LF1873SSGA 325TAB





**CADENAS CARDÁNICAS
CARDANIC CHAINS
CHAÎNES À CARDAN
KARDANKETTEN**

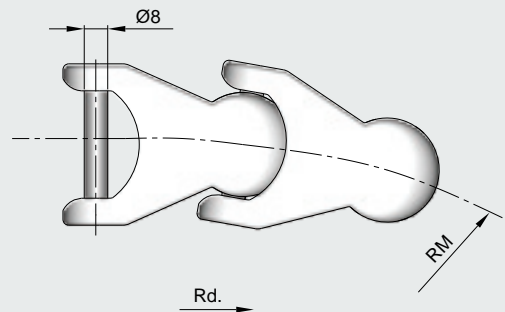
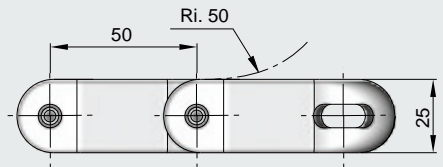
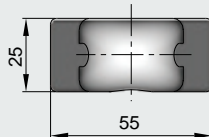
550



P mm.	MAT.		RM	Kg/m	COD.
	Cadena / Chain Chaîne / Ketten	Eje/Spindle Axe/Spindel			
50	AW	SS304	150	1,38	550

Longitud standard / Standard Length /
Longueur standard / Lieferlänge: 3,048 m. - 10 ft

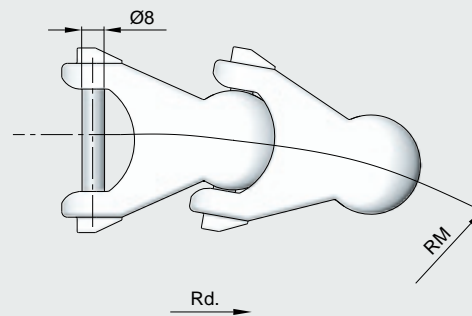
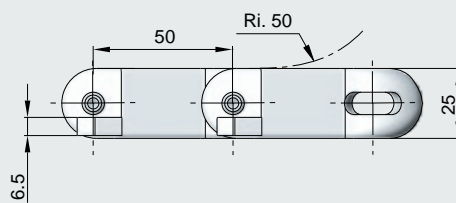
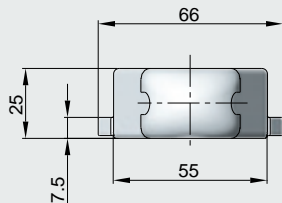
550 L



P mm.	MAT.		RM	Kg/m	COD.
	Cadena / Chain Chaîne / Ketten	Eje/Spindle Axe/Spindel			
50	AW	SS304	150	1,42	550 L

Longitud standard / Standard Length /
Longueur standard / Lieferlänge: 3,048 m. - 10 ft

550 TAB



Pag.

C/74, C/89

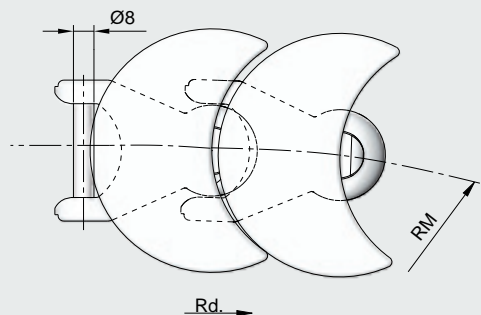
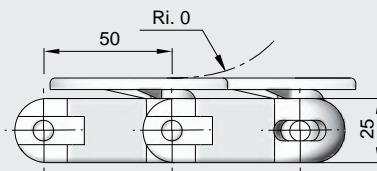
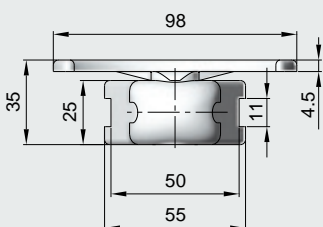
C/71, C/72

MAT. T/2

Longitud standard / Standard Length /
Longueur standard / Lieferlänge: 3,048 m. - 10 ft

P mm.	MAT.		RM	Kg/m	COD.
	Cadena / Chain Chaîne / Ketten	Eje/Spindle Axe/Spindel			
50	AW	SS304	150	1,38	550 TAB

550 ML



Pag.

C/73, C/89

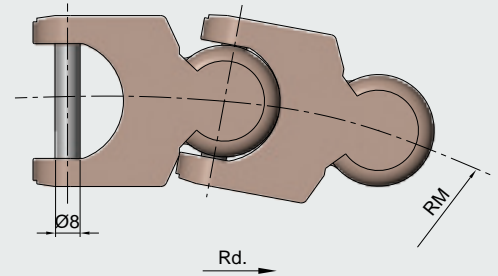
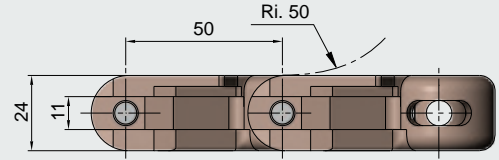
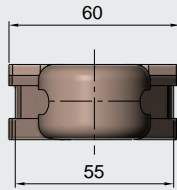
C/72

MAT. T/2

Longitud standard / Standard Length /
Longueur standard / Lieferlänge: 3,048 m. - 10 ft

P mm.	MAT.		RM	Kg/m	COD.
	Cadena / Chain Chaîne / Ketten	Eje/Spindle Axe/Spindel			
50	AW	SS304	150	1,98	550 ML
50	D	SS304	150	1,98	550 MLG

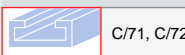
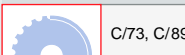
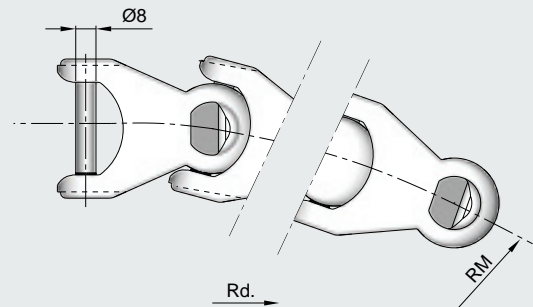
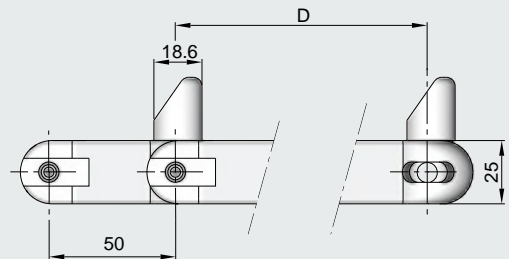
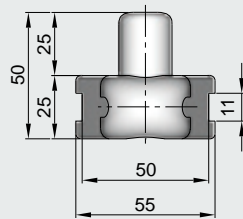
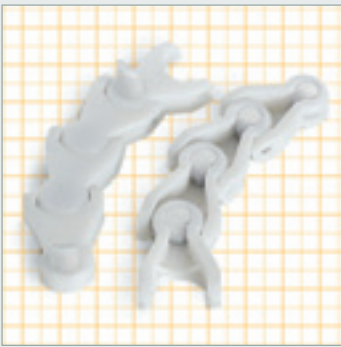
550 LF



P mm.	MAT.		RM	Kg/m	COD.
	Cadena / Chain Chaîne / Ketten	Eje/Spindle Axe/Spindel			
50	LF	SS304	150	1,40	550-LF

Longitud standard / Standard Length /
Longueur standard / Lieferlänge: 3,048 m. - 10 ft

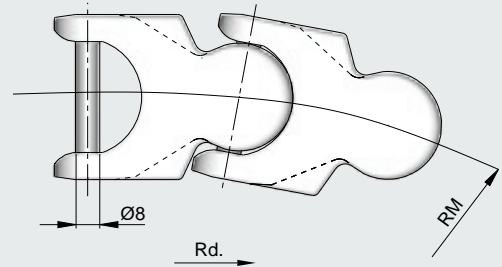
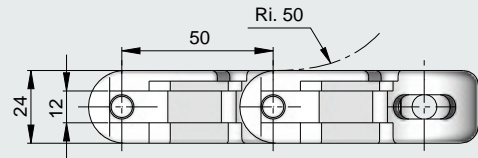
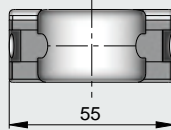
550 E



P mm.	MAT.		D	RM	Kg/m	COD.
	Cadena / Chain Chaîne / Ketten	Eje/Spindle Axe/Spindel				
50	AW	SS304	600	150	1,60	AW 550-E-600
50			900	150	1,60	AW 550-E-900

Longitud standard / Standard Length /
Longueur standard / Lieferlänge: 3,048 m. - 10 ft

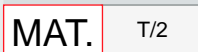
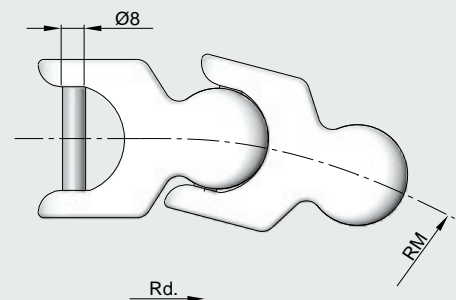
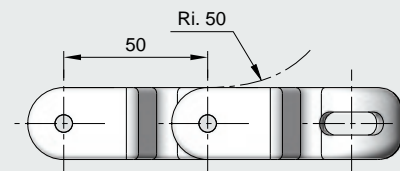
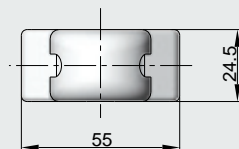
550 1700



Longitud standard / Standard Length /
Longueur standard / Lieferlänge: 3,048 m. - 10 ft

P mm.	MAT.		RM	Kg/m	COD.
	Cadena / Chain Chaîne / Ketten	Eje/Spindle Axe/Spindel			
50	AW	SS304	150	1,50	AW 550 1700
	LF	SS304		1,50	LF 550 1700

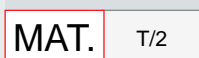
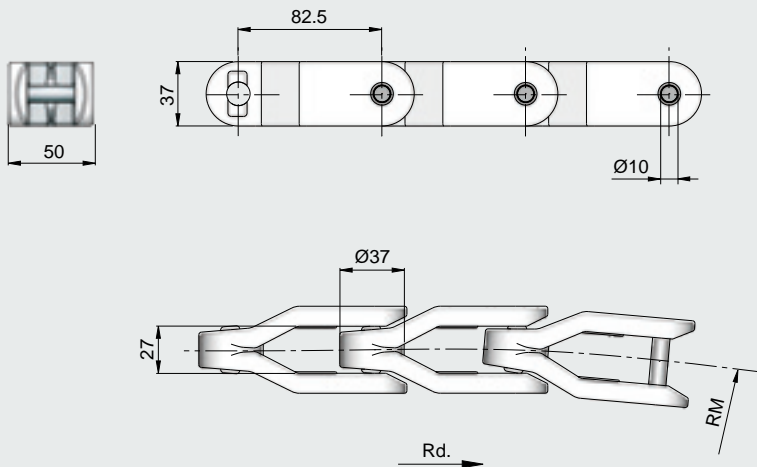
550 132



Longitud standard / Standard Length /
Longueur standard / Lieferlänge: 3,048 m. - 10 ft

P mm.	MAT.		RM	Kg/m	COD.
	Cadena / Chain Chaîne / Ketten	Eje/Spindle Axe/Spindel			
50	AW	SS304	150	1,45	550 132

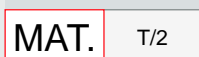
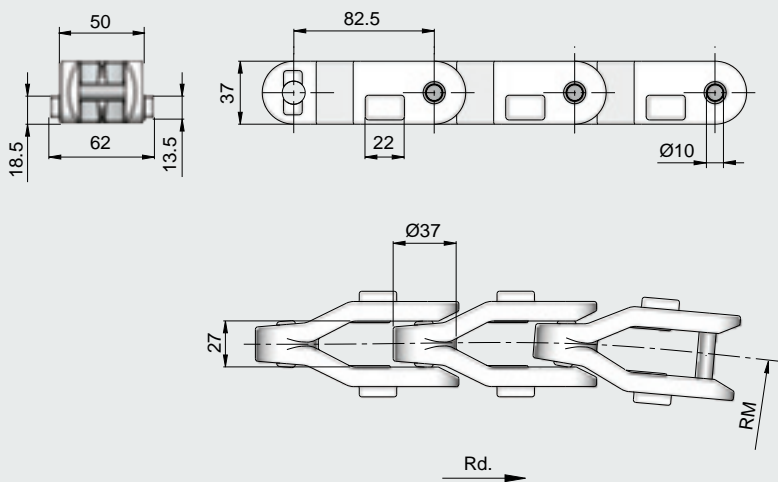
600 L



P mm.	MAT.		RM	Kg/m	COD.
	Cadena / Chain Chaîne / Ketten	Eje/Spindle Axe/Spindel			
82.5	AW	SS304	600	2.10	600 L

Longitud standard / Standard Length /
Longueur standard / Lieferlänge: 3,048 m. - 10 ft

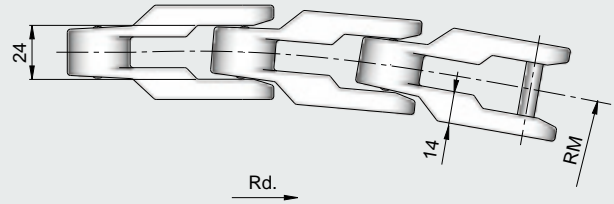
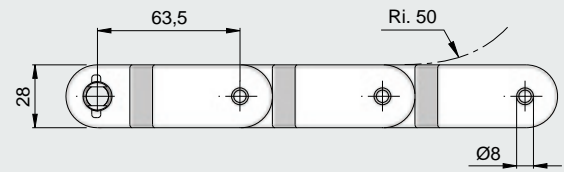
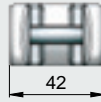
600 TAB



P mm.	MAT.		RM	Kg/m	COD.
	Cadena / Chain Chaîne / Ketten	Eje/Spindle Axe/Spindel			
82.5	AW	SS304	600	2.20	600 TAB

Longitud standard / Standard Length /
Longueur standard / Lieferlänge: 3,048 m. - 10 ft

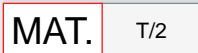
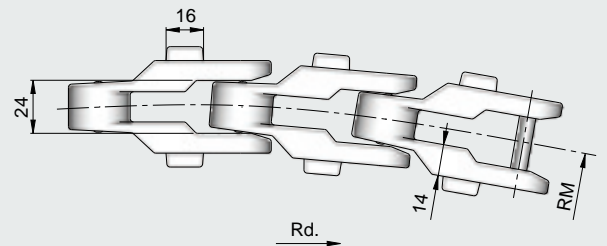
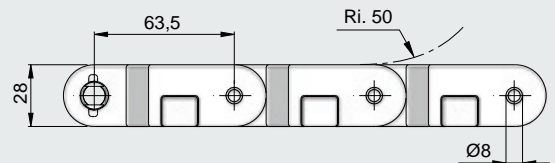
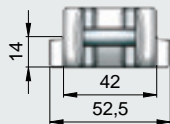
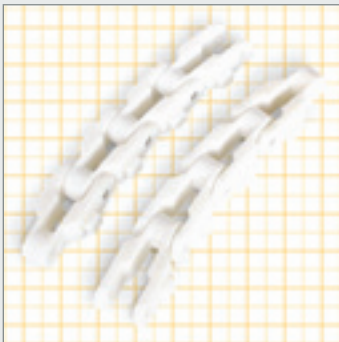
610 L



P mm.	MAT.		RM	Kg/m	COD.
	Cadena / Chain Chaîne / Ketten	Eje/Spindle Axe/Spindel			
63,5	AW	SS304	500	1,15	610 L

Longitud standard / Standard Length /
Longueur standard / Lieferlänge: 3,048 m. - 10 ft

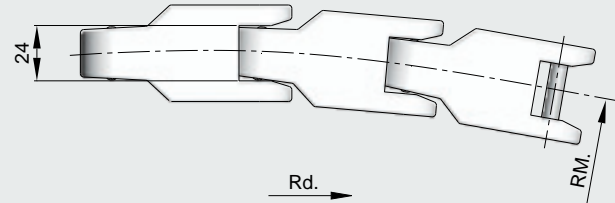
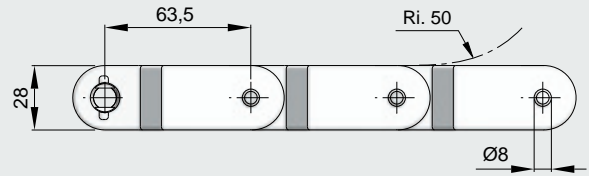
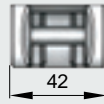
610 TAB



P mm.	MAT.		RM	Kg/m	COD.
	Cadena / Chain Chaîne / Ketten	Eje/Spindle Axe/Spindel			
63,5	AW	SS304	500	1,25	610 TAB

Longitud standard / Standard Length /
Longueur standard / Lieferlänge: 3,048 m. - 10 ft

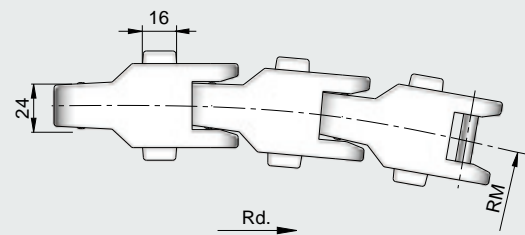
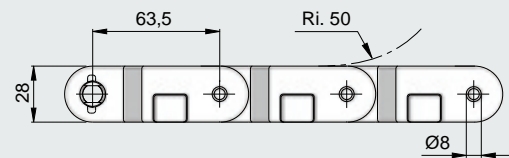
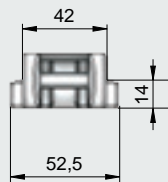
610 LC



Longitud standard / Standard Length /
Longueur standard / Lieferlänge: 3,048 m. - 10 ft

P mm.	MAT.		RM	Kg/m	COD.
	Cadena / Chain Chaîne / Ketten	Eje/Spindle Axe/Spindel			
63,5	AW	SS304	500	1,30	610 LC

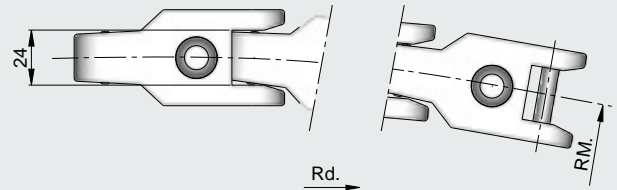
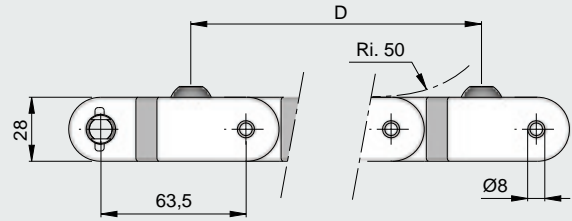
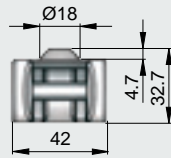
610 TAB C



Longitud standard / Standard Length /
Longueur standard / Lieferlänge: 3,048 m. - 10 ft

P mm.	MAT.		RM	Kg/m	COD.
	Cadena / Chain Chaîne / Ketten	Eje/Spindle Axe/Spindel			
63,5	AW	SS304	500	1,40	610 TAB C

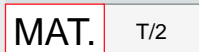
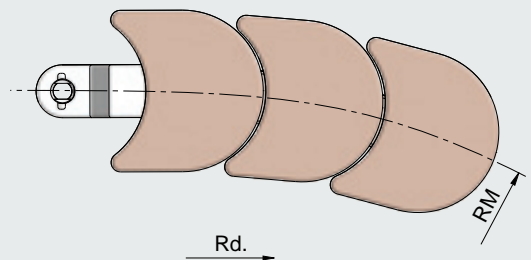
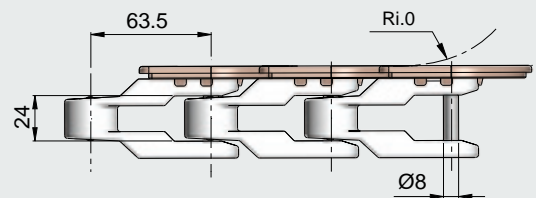
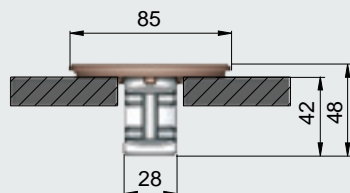
610 LC E



P mm.	MAT.			D	RM	Kg/m	COD.
	Cadena / Chain Chaîne / Ketten	Eje/Spindle Axe/Spindel	Pivote Empujador				
63,5	AW	SS304	SS	508	500	1,40	610 LC - E - 508
63,5				635	500	1,40	610 LC - E - 635
63,5				825	500	1,40	610 LC - E - 825
63,5				952	500	1,40	610 LC - E - 952

Longitud standard / Standard Length /
Longueur standard / Lieferlänge: 3,048 m. - 10 ft

610 ML



P mm	MAT.			RM	Kg/m	COD.
	Platillo/Plate Palettes/Platten	Cadena base / Base Chain Chaîne de base / Grundkette	Eje/Spindle Axe/Spindel			
63,5	LF	AW	SS304	80	1,62	LF 610 ML
	AW					AW 610 ML

Longitud standard /
Standard Length /
Longueur standard /
Lieferlänge: 3,048 m. - 10 ft



**GUIAS
GUIDES
GUIDES
PROFILES**

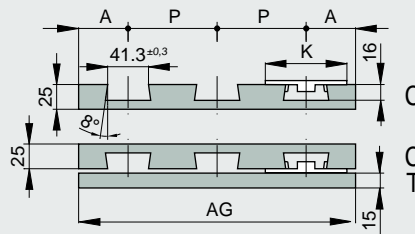
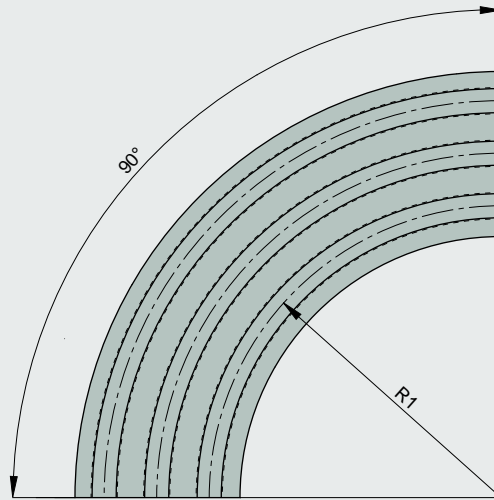


880 - 881 - 879 - 887 - 7253



- M** UHMW-PE, DESLIDUR, color negro.
 Black colour.
 Couleur noir.
 Schwarze Farbe.

1 JUEGO = IDA Y VUELTA } C + C + T
 1 SET = CARRY AND RETURN
 1 JEU = ALLER ET RETOUR
 1 SATZ = HIN- UND RÜCKFÜHRUNG



K = 82,5

<i>P = 90mm</i>					
R1	A	VIAS	AG	Kg	COD.
500	50	1	100	3,9	C15001
		2	190	7,7	C15002
		3	280	12,3	C15003
		4	370	17,9	C15004
610	50	1	100	4,7	C16101
		1	100	5,1	C16501
650	50	2	190	9,9	C16502
		3	280	15,5	C16503
		4	370	22,1	C16504
		1	100	6,7	C18601
860	50	2	190	13,0	C18602
		3	280	19,9	C18603
		4	370	28,1	C18604



K = 114,3

<i>P = 125mm</i>					
R1	A	VIAS	AG	Kg	COD.
550	65	1	130	5,9	C25501
		2	255	12,0	C25502
		3	380	18,8	C25503
		4	505	27,1	C25504
610	65	1	130	6,6	C26101
		1	130	7,0	C26501
650	65	2	255	14,1	C26502
		3	380	21,9	C26503
		4	505	31,3	C26504



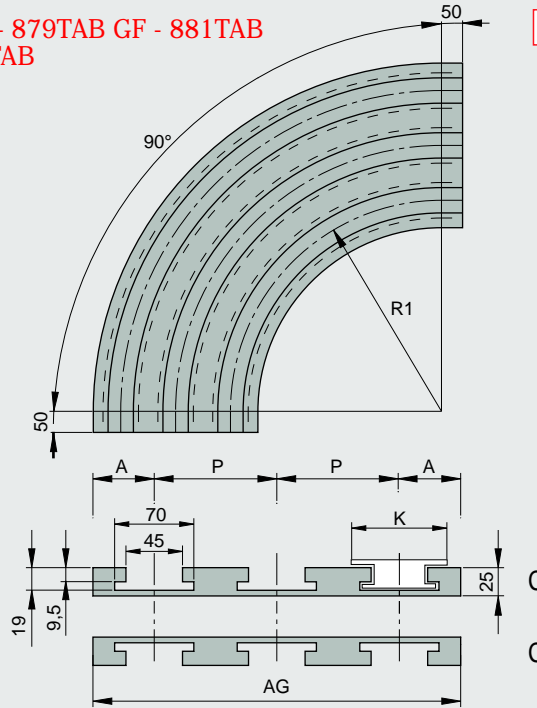
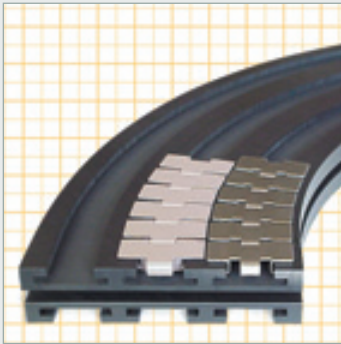
K = 190,5

<i>P = 196mm</i>					
R1	A	VIAS	AG	Kg	COD.
610	100	1	200	10,8	C36101
650	100	1	200	11,5	C36501

Otras dimensiones, radio o número de vias se pueden fabricar bajo pedido / Other dimensions, radio or ways can be made under request
 Autres dimensions, radiums ou numéro de vois sur demande / Sonderlängen, Radius oder Bahnen auf Anfrage möglich



880R - 880TAB - 879TAB - 879TAB GF - 881TAB
887TAB - 889TAB - 7253TAB



UHMW-PE, DESLIDUR, color negro.
Black colour.
Couleur noir.
Schwarze Farbe.

1 JUEGO = IDA Y VUELTA } C + C
1 SET = CARRY AND RETURN
1 JEU = ALLER ET RETOUR
1 SATZ = HIN- UND RÜCKFÜHRUNG



K = 82,5

<i>P = 84mm</i>						<i>P = 85mm</i>						<i>P = 88mm</i>					
R1	A	VIAS	AG	Kg	COD.	R1	A	VIAS	AG	Kg	COD.	R1	A	VIAS	AG	Kg	COD.
500	50	1	100	2,4	4701001	500	50	1	114	3,0	4701002	500	50	1	100	1,4	4701200
		2	184	4,4	4702003			2	185	4,8	4702107			2	188	4,6	4702211
		3	268	6,7	4703006			3	270	6,9	4703109			3	276	7,2	4703214
		4	352	9,3	4704009			4	355	9,5	4704112			4	364	10,0	4704217
		5	436	12,1	4705012			5	440	12,4	4705115			5	452	13,2	4705220
		6	520	15,2	4706015			6	525	15,5	4706118			6	540	16,6	4706223
610	50	1	100	2,9	4701018	610	50	-	-	-	-	610	50	-	-	-	-
		2	184	5,3	4702021			2	185	5,3	4702121			2	188	5,5	4702226
		3	268	7,9	4703024			3	270	8,0	4703124			3	276	8,4	4703229
		4	352	10,8	4704027			4	355	11,0	4704127			4	364	11,6	4704232
		5	436	13,9	4705028			5	440	14,2	4705130			5	452	15,1	4705235
		6	520	17,4	4706031			6	525	17,7	4706133			6	540	18,9	4706238
800	50	1	100	3,7	4701034	800	50	-	-	-	-	800	50	-	-	-	-
		2	184	6,7	4702037			2	185	6,7	4702136			2	188	7,0	4702241
		3	268	9,9	4703040			3	270	10,0	4703139			3	276	10,5	4703243
		4	352	13,4	4704043			4	355	13,6	4704142			4	364	14,3	4704247
		5	436	17,1	4705046			5	440	17,4	4705145			5	452	18,5	4705250
		6	520	21,1	4706049			6	525	21,5	4706148			6	540	22,9	4706253
1000	50	1	100	4,6	4701052	1000	50	-	-	-	-	1000	50	-	-	-	-
		2	184	8,1	4702055			2	185	8,2	4702151			2	188	8,5	4702256
		3	268	12,0	4703058			3	270	12,2	4703154			3	276	12,7	4703259
		4	352	16,1	4704061			4	355	16,3	4704157			4	364	17,2	4704262
		5	436	20,4	4705064			5	440	20,8	4705161			5	452	22,0	4705265
		6	520	25,0	4706067			6	525	25,5	4706164			6	540	27,2	4706268



K = 114,3

<i>P = 120mm</i>					
R1	A	VIAS	AG	Kg	COD.
500	65	1	130	3,7	4701307
		2	250	7,7	4702315
610	65	1	130	4,4	4701312
		2	250	9,1	4702321
800	65	1	130	5,7	4701324
		2	250	11,4	4702327
1000	65	1	130	7,0	4701331
		2	250	13,9	4702334



K = 190,5

<i>P = 196mm</i>					
R1	A	VIAS	AG	Kg	COD.
500	100	1	200	6,7	4701413
		2	396	15,6	4702417
610	100	1	200	8,0	4701415
		2	396	18,1	4702423
800	100	1	200	10,3	4701426
		2	396	22,6	4702429
1000	100	1	200	12,1	4701432
		2	396	27,3	4702435

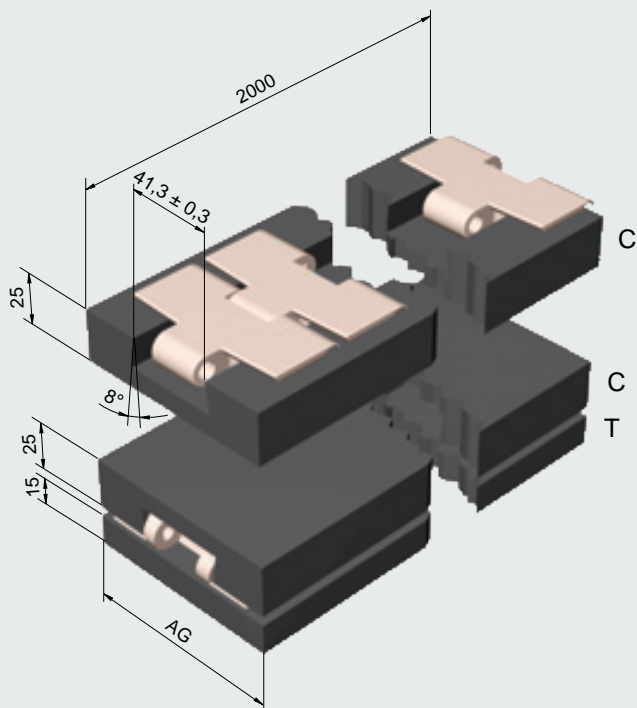
Otras dimensiones, radio o número de vías se pueden fabricar bajo pedido / Other dimensions, radio or ways can be made under request
Autres dimensions, radiums ou numéro de vois sur demande / Sonderlängen, Radius oder Bahnen auf Anfrage möglich



880 - 881 - 879 - 887 - 7253



UHMW-PE, DESLIDUR, color negro.
 Black colour.
 Couleur noir.
 Schwarze Farbe.



Cadena / Chain Chaîne / Ketten	AG	Kg	COD.
82,5	100	10,0	GR 1100C
114,3	130	13,8	GR 2130C
190,5	200	22,7	GR 3200C

1 JUEGO = IDA Y VUELTA
 1 SET = CARRY AND RETURN
 1 JEU = ALLER ET RETOUR
 1 SATZ = HIN- UND RÜCKFÜHRUNG } C + C + T

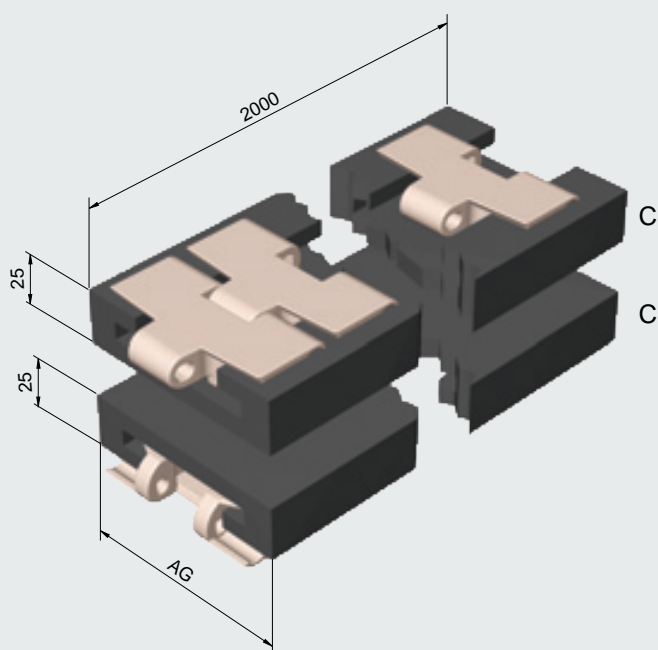
Otras dimensiones bajo pedido. / Another sizes on demand
 Autres longueurs sur demande. / weitere Konturen auf Anfrage.



880R - 880TAB - 879TAB - 879TAB GF - 881TAB
 887TAB - 889TAB - 7253TAB



UHMW-PE, DESLIDUR, color negro.
 Black colour.
 Couleur noir.
 Schwarze Farbe.



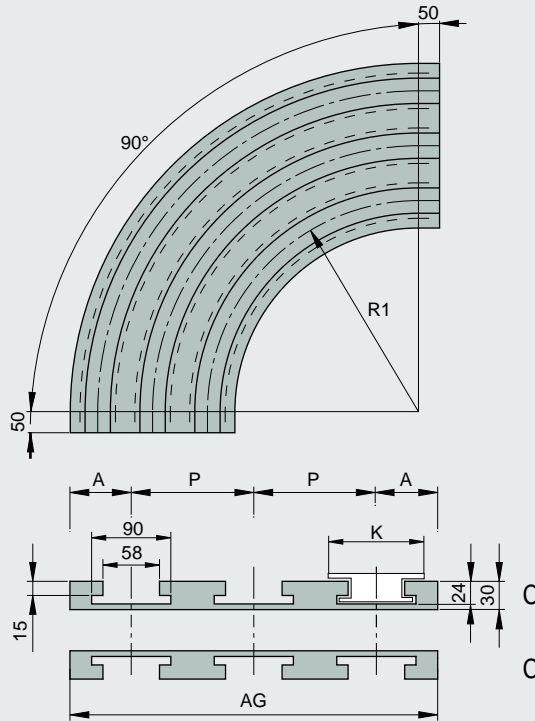
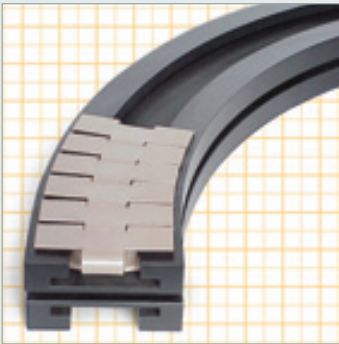
Cadena / Chain Chaîne / Ketten	AG	Kg	COD.
82,5	100	5,9	GR 1100TAB
114,3	130	8,8	GR 2130TAB
190,5	200	15,6	GR 3200TAB

1 JUEGO = IDA Y VUELTA
 1 SET = CARRY AND RETURN
 1 JEU = ALLER ET RETOUR
 1 SATZ = HIN- UND RÜCKFÜHRUNG } C + C

Otras dimensiones bajo pedido. / Another sizes on demand
 Autres longueurs sur demande. / weitere Konturen auf Anfrage.



882TAB - 882TAB BPM - 882TAB GF



- M** UHMW-PE, DESLIDUR, color negro.
 Black colour.
 Couleur noir.
 Schwarze Farbe.

1 JUEGO = IDA Y VUELTA } C + C
 1 SET = CARRY AND RETURN
 1 JEU = ALLER ET RETOUR
 1 SATZ = HIN- UND RÜCKFÜHRUNG

K = 114,3

<i>P = 120mm</i>					
R1	A	VIAS	AG	Kg	COD.
610	65	1	130	4,6	4701337
		2	250	9,3	4702340
800	65	1	130	5,8	4701343
		2	250	11,6	4702346
1000	65	1	130	7,2	4701349
		2	250	14,2	4702352
1200	65	1	130	8,5	4701355
		2	250	16,7	4702358

K = 190,5

<i>P = 196mm</i>					
R1	A	VIAS	AG	Kg	COD.
610	100	1	200	8,9	4701438
		2	396	20,0	4702441
800	100	1	200	11,4	4701445
		2	396	25,0	4702448
1000	100	1	200	14,0	4701451
		2	396	30,2	4702454
1200	100	1	200	16,5	4701457
		2	396	35,3	4702460

K = 254

<i>P = 260mm</i>					
R1	A	VIAS	AG	Kg	COD.
610	135	1	270	13,2	4701507
		2	530	30,7	4702511
800	135	1	270	16,9	4701514
		2	530	38,0	4702517
1000	135	1	270	20,8	4701520
		2	530	45,6	4702523
1200	135	1	270	24,7	4701526
		2	530	53,3	4702529

K = 304,8

<i>P = 310mm</i>					
R1	A	VIAS	AG	Kg	COD.
610	160	1	320	16,3	4701608
		2	630	39,2	4702611
800	160	1	320	20,8	4701614
		2	630	48,2	4702617
810	170	1	340	21,1	4701901
1000	160	1	320	25,7	4701620
		2	630	57,1	4702623
1160	170	1	340	29,5	4701907
1200	160	1	320	30,5	4701626
		2	630	67,2	4702629

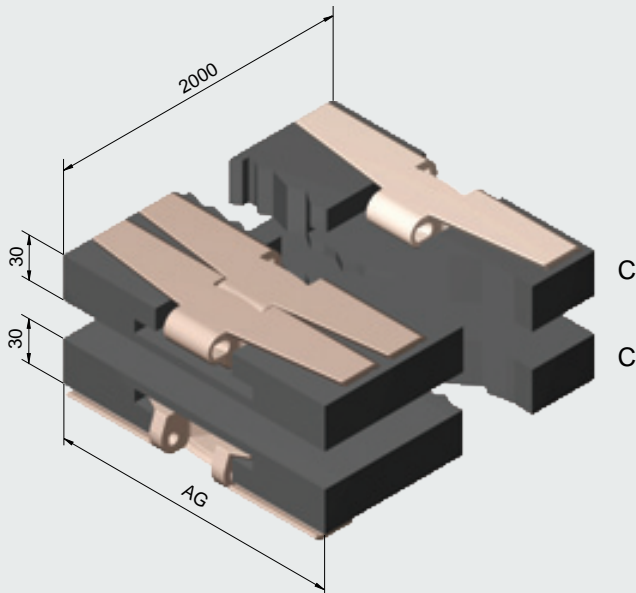
Otras dimensiones, radio o número de vías se pueden fabricar bajo pedido / Other dimensions, radio or ways can be made under request
 Autres dimensions, radiums ou numéro de vois sur demande / Sonderlängen, Radius oder Bahnen auf Anfrage möglich



882TAB - 882TAB BPM - 882TAB GF



UHMW-PE, DESLIDUR, color negro.
Black colour.
Couleur noir.
Schwarze Farbe.



Cadena / Chain Chaîne / Ketten	AG	Kg	COD.
114,3	130	9,6	GR 4130 TAB
190,5	200	17,3	GR 5200 TAB
254	270	25,4	GR 6270 TAB
304,8	320	31,3	GR 7320 TAB

1 JUEGO = IDA Y VUELTA } C + C
1 SET = CARRY AND RETURN }
1 JEU = ALLER ET RETOUR }
1 SATZ = HIN- UND RÜCKFÜHRUNG }

Otras dimensiones bajo pedido. / Another sizes on demand
Autres longueurs sur demande. / weitere Konturen auf Anfrage.

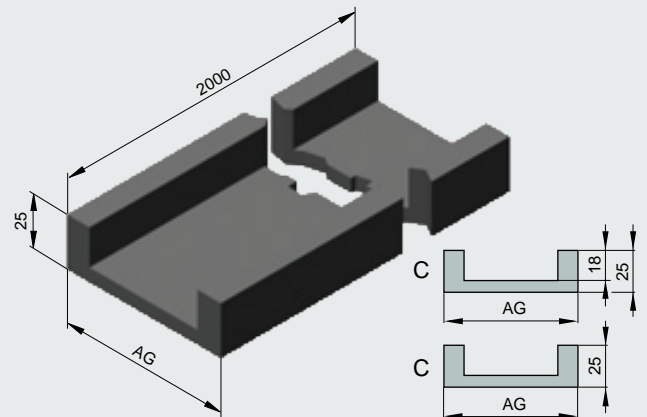
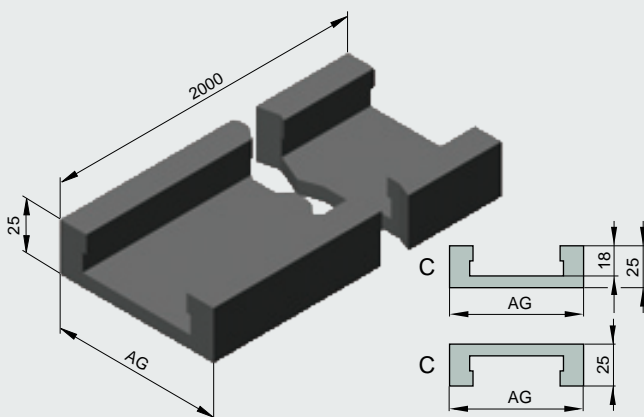


550 - 550LF - 550TAB - 550L - 550 1700 - 550 132



UHMW-PE, DESLIDUR, color negro.
Black colour.
Couleur noir.
Schwarze Farbe.

1 JUEGO = IDA Y VUELTA } C + C
1 SET = CARRY AND RETURN }
1 JEU = ALLER ET RETOUR }
1 SATZ = HIN- UND RÜCKFÜHRUNG }



Cadena / Chain Chaîne / Ketten	AG	Kg	COD.
550	80	4,0	GR550 01
550 LF	80	3,7	GR550 02
550 TAB	80	3,4	GR550 03

Cadena / Chain Chaîne / Ketten	AG	Kg	COD.
550 L	80	3,8	GR550 24
550 1700	80	3,7	GR550 25
550 132	80	3,7	GR550 25

Otras dimensiones bajo pedido. / Another sizes on demand / Autres longueurs sur demande. / weitere Konturen auf Anfrage.

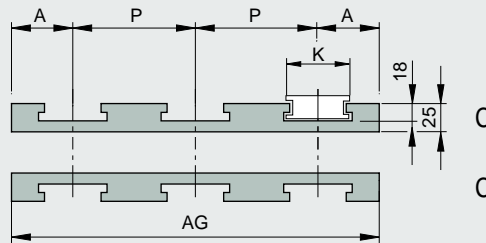
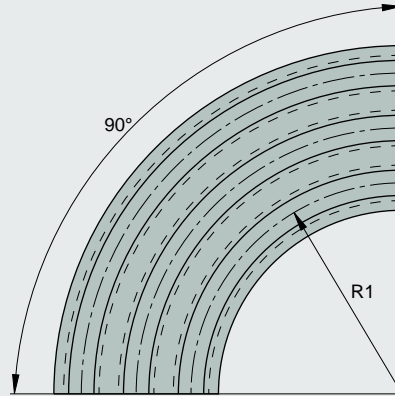


550 - 550L - 550TAB - 550LF



UHMW-PE, DESLIDUR, color negro.
 Black colour.
 Couleur noir.
 Schwarze Farbe.

1 JUEGO = IDA Y VUELTA } C + C
 1 SET = CARRY AND RETURN }
 1 JEU = ALLER ET RETOUR }
 1 SATZ = HIN- UND RÜCKFÜHRUNG }



K = 55

<i>P = 65mm.</i>						
Cadena / Chain Chaîne / Ketten	R1	A	VIAS	AG	Kg	COD.
550	150	40	1	80	0,5	C 5501501
			2	145	0,9	C 5501502
			3	210	1,5	C 5501503
	250				0,8	C 550250
	500			1	80	1,6
630					2,0	C 550630



K = 55

Cadena / Chain Chaîne / Ketten	R1	A	VIAS	AG	Kg	COD.
550L	150	40	1	80	0,5	C 550 L 150
	500				1,3	C 550 L 500



K = 55

Cadena / Chain Chaîne / Ketten	R1	A	VIAS	AG	Kg	COD.
550TAB	150	40	1	80	0,4	C 550 150 TAB
	500				1,3	C 550 500 TAB



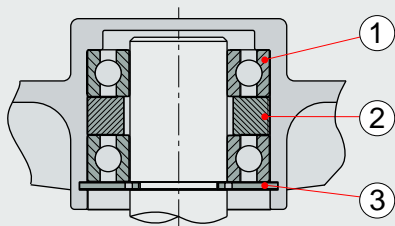
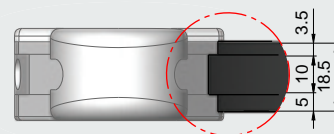
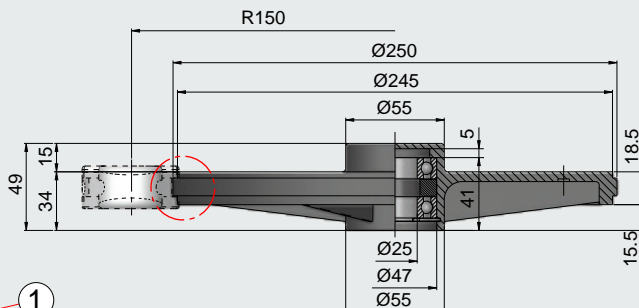
K = 60

Cadena / Chain Chaîne / Ketten	R1	A	VIAS	AG	Kg	COD.
550LF	150	40	1	80	0,4	C 550LF150
	500				1,4	C 550LF500

Otras dimensiones, radio o número de vias se pueden fabricar bajo pedido / Other dimensions, radio or ways can be made under request
 Autres dimensions, radiums ou numéro de vois sur demande / Sonderlängen, Radius oder Bahnen auf Anfrage möglich



- C** Disco lateral / Lateral disc / Disque lateral / Scheibe.
- M** Poliamida reforzada / Reinforced polyamide / Polyamide renforcé / Aus verstärktem Polyamid.
- 550 1700



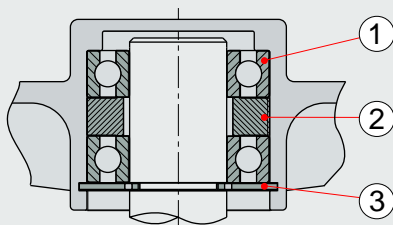
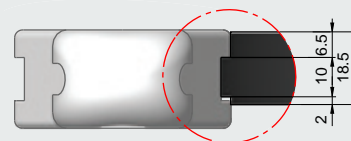
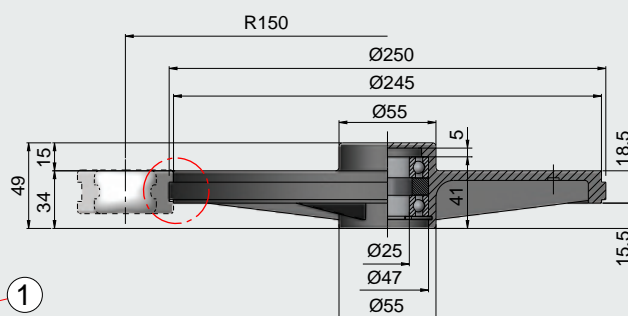
Incluye / Includes / Comprends / Begreift

- 1- Rodamiento 6005 ZZ, unidades: 2 / Bearing 6005 ZZ, pcs: 2 / Palier 6005 ZZ, pièces: 2 / Flanschlager 6005 ZZ, teile: 2
- 2- Distanciador rodamientos Ø30 X Ø47 X 10, unidades: 1 / Bearings spacer Ø30 X Ø47 X 10, pcs: 1 / Entretoise paliers Ø30 X Ø47 X 10, pièces: 1 / Abstandsflanschlager Ø30 X Ø47 X 10, teile: 1
- 3- DIN 472 J47, unidades: 1 / DIN 472 J47, pcs: 1 / DIN 472 J47, pièces: 1 / DIN 472 J47, teile: 1

Kg	COD.
0,53	6615809



- C** Disco lateral / Lateral disc / Disque lateral / Scheibe.
- M** Poliamida reforzada / Reinforced polyamide / Polyamide renforcé / Aus verstärktem Polyamid.
- 550



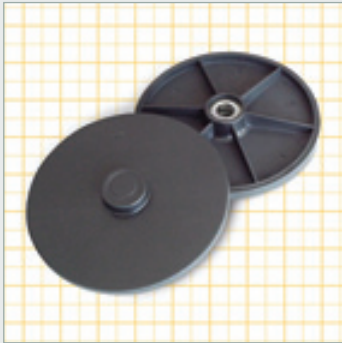
Incluye / Includes / Comprends / Begreift

- 1- Rodamiento 6005 ZZ, unidades: 2 / Bearing 6005 ZZ, pcs: 2 / Palier 6005 ZZ, pièces: 2 / Flanschlager 6005 ZZ, teile: 2
- 2- Distanciador rodamientos Ø30 X Ø47 X 10, unidades: 1 / Bearings spacer Ø30 X Ø47 X 10, pcs: 1 / Entretoise paliers Ø30 X Ø47 X 10, pièces: 1 / Abstandsflanschlager Ø30 X Ø47 X 10, teile: 1
- 3- DIN 472 J47, unidades: 1 / DIN 472 J47, pcs: 1 / DIN 472 J47, pièces: 1 / DIN 472 J47, teile: 1

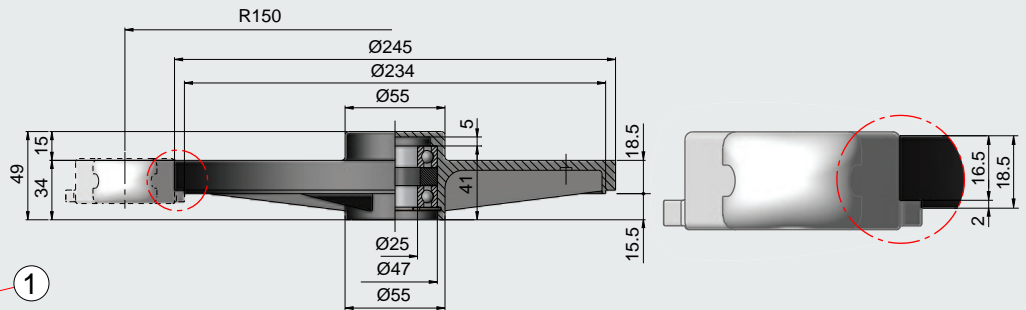
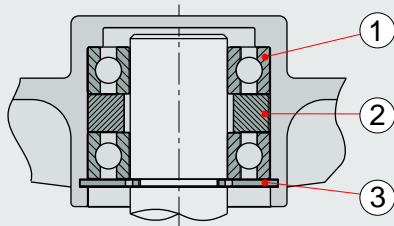
Kg	COD.
0,53	6615815

DISCOS PARA CADENA 550 TAB / DISCS FOR CHAIN 550 TAB

DISQUES POUR CHAÎNE 550 TAB / SCHEIBEN FÜR TAB-KETTEN 550



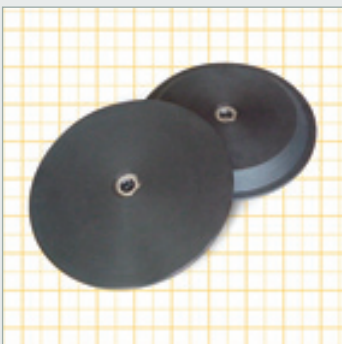
- C** Disco lateral / Lateral disc / Disque lateral / Scheibe.
- M** Poliamida reforzada / Reinforced polyamide / Polyamide renforcé / Aus verstärktem Polyamid.
- 550TAB



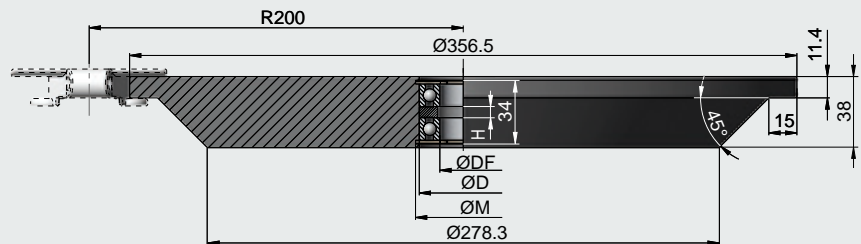
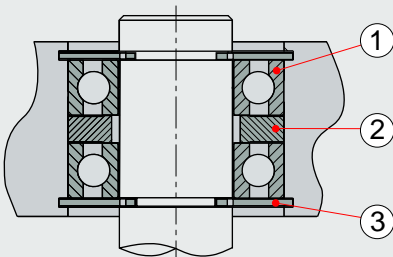
Incluye / Includes / Comprends / Begreift

- 1- Rodamiento 6005 ZZ, unidades: 2 / Bearing 6005 ZZ, pcs: 2 / Palier 6005 ZZ, pièces: 2 / Flanschlagler 6005 ZZ, teile: 2
- 2- Distanciador rodamientos Ø30 X Ø47 X 10, unidades: 1 / Bearings spacer Ø30 X Ø47 X 10, pcs: 1 / Entretoise paliers Ø30 X Ø47 X 10, pièces: 1 / Abstandsflanschlagler Ø30 X Ø47 X 10, teile: 1
- 3- DIN 472 J47, unidades: 1 / DIN 472 J47, pcs: 1 / DIN 472 J47, pièces: 1 / DIN 472 J47, teile: 1

Kg	COD.
0,49	6615820



- C** Disco lateral / Lateral disc / Disque lateral / Seitichrad.
- M** Polietileno UHMW 1000 "DESLIDUR". / UHMW 1000 "DESLIDUR" Polyethylene. / Polyéthylène UHMW 1000 "DESLIDUR". / Profil aus Polyäthylen UHMW 1000 "DESLIDUR"
- 880R - 889 TAB



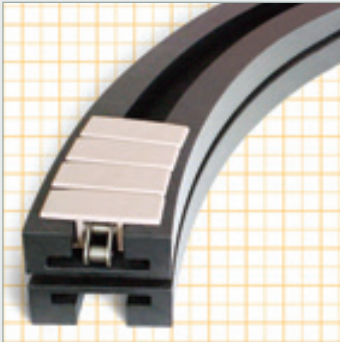
Incluye / Includes / Comprends / Begreift

- 1- DF25: Rodamiento 6005 ZZ, unidades: 2 / Bearing 6005 ZZ, pcs: 2 / Palier 6005 ZZ, pièces: 2 / Flanschlagler 6005 ZZ, teile: 2
- DF30: Rodamiento 6006 ZZ, unidades: 2 / Bearing 6006 ZZ, pcs: 2 / Palier 6006 ZZ, pièces: 2 / Flanschlagler 6006 ZZ, teile: 2
- 2- DF25: Distanciador rodamientos Ø30 X Ø47 X 6, unidades: 1 / Bearings spacer Ø30 X Ø47 X 6, pcs: 1 / Entretoise paliers Ø30 X Ø47 X 6, pièces: 1 / Abstandsflanschlagler Ø30 X Ø47 X 6, teile: 1
- DF30: Distanciador rodamientos Ø35 X Ø55 X 3, unidades: 1 / Bearings spacer Ø35 X Ø55 X 3, pcs: 1 / Entretoise paliers Ø35 X Ø55 X 3, pièces: 1 / Abstandsflanschlagler Ø35 X Ø55 X 3, teile: 1
- 3- DF25: DIN 472 J47, unidades: 2 / DIN 472 J47, pcs: 2 / DIN 472 J47, pièces: 2 / DIN 472 J47, teile: 2
- DF30: DIN 472 J55, unidades: 2 / DIN 472 J55, pcs: 2 / DIN 472 J55, pièces: 2 / DIN 472 J55, teile: 2

ØDF	ØD	ØM	H	Kg	COD.
25	47	51	6	2,20	6533705
30	55	60	3	2,20	6533716

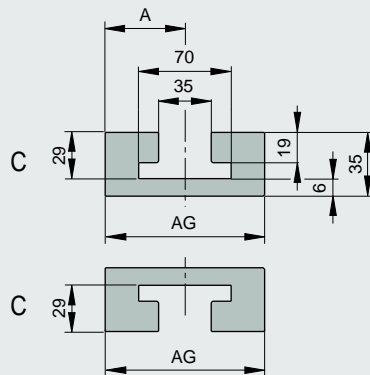
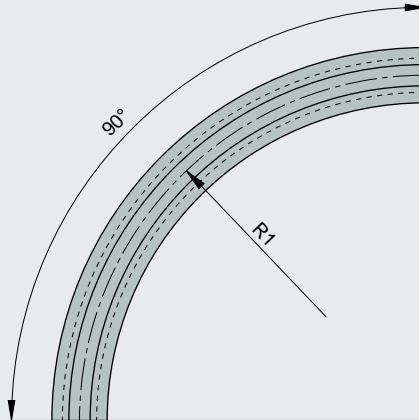


1873 - 1873GF - 1873GA - 1873EG



UHMW-PE, DESLIDUR, color negro.
 Black colour.
 Couleur noir.
 Schwarze Farbe.

1 JUEGO = IDA Y VUELTA } C + C
 1 SET = CARRY AND RETURN
 1 JEU = ALLER ET RETOUR
 1 SATZ = HIN- UND RÜCKFÜHRUNG



K = 82,5

R1	A	VIAS	AG	Kg	COD.
500	50	1	100	3,2	4601960
610	50	1	100	4,0	4601971
800	50	1	100	5,2	4601973

K = 114,3

R1	A	VIAS	AG	Kg	COD.
610	65	1	130	5,9	4601980
800	65	1	130	7,8	4601983

K = 190,5

R1	A	VIAS	AG	Kg	COD.
610	100	1	200	10,5	4601987
800	100	1	200	13,7	4601989

K = 254

R1	A	VIAS	AG	Kg	COD.
610	135	1	270	15,0	4601993
800	135	1	270	19,7	4601995

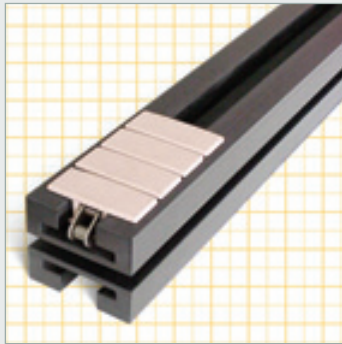
K = 304,8

R1	A	VIAS	AG	Kg	COD.
610	160	1	320	18,3	4601997
800	160	1	320	24,4	4601998

Otras dimensiones, radio o número de vías se pueden fabricar bajo pedido / Other dimensions, radio or ways can be made under request
 Autres dimensions, rayons ou numéro de vois sur demande / Sonderlängen, Radius oder Bahnen auf Anfrage möglich

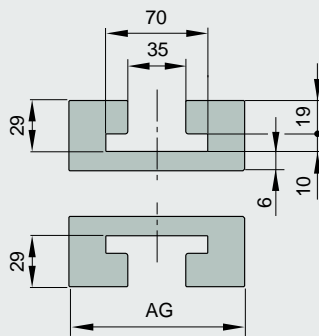
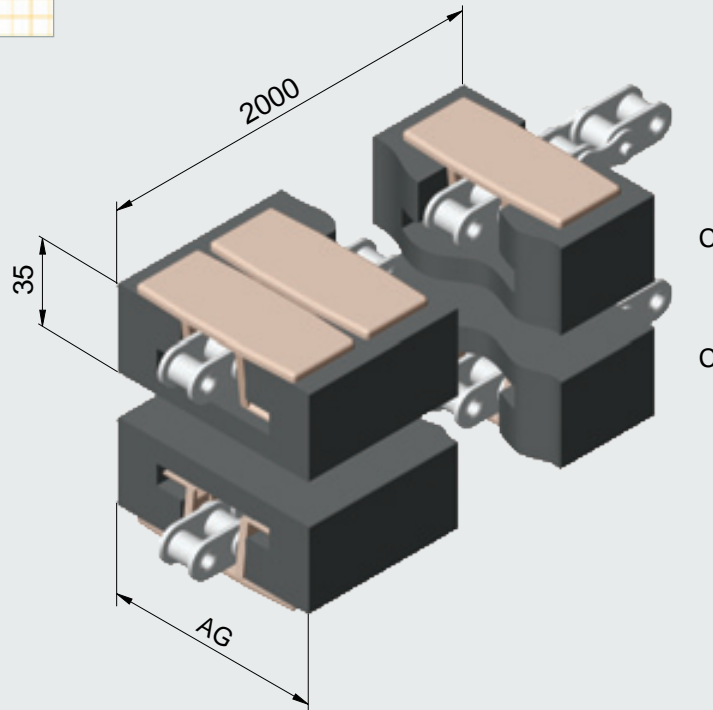


1873 - 1873GF - 1873GA - 1873EG



UHMW-PE, DESLIDUR, color negro.
 Black colour.
 Couleur noir.
 Schwarze Farbe.

1 JUEGO = IDA Y VUELTA } C + C
 1 SET = CARRY AND RETURN
 1 JEU = ALLER ET RETOUR
 1 SATZ = HIN- UND RÜCKFÜHRUNG



Cadena / Chain Chaîne / Ketten	AG	Kg	COD.
82,5	100	8,3	GR1873100
114,3	130	12,4	GR1873130
190,5	200	21,9	GR1873200
254,0	270	31,4	GR1873270
304,8	320	38,2	GR1873320

1 SET = 2UDS = 4MTS

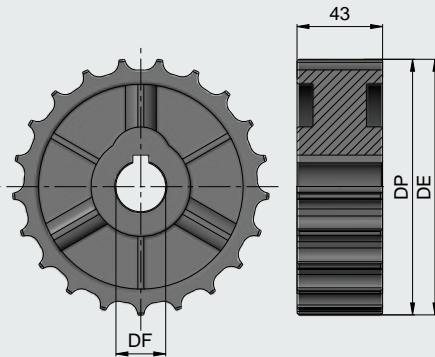
Otras dimensiones bajo pedido. / Another sizes on demand / Autres longueurs sur demande. / weitere Konturen auf Anfrage.

C

Lined writing area with horizontal red lines.



**RUEDAS
SPROCKETS
ROUES
KETTENRÄDER**



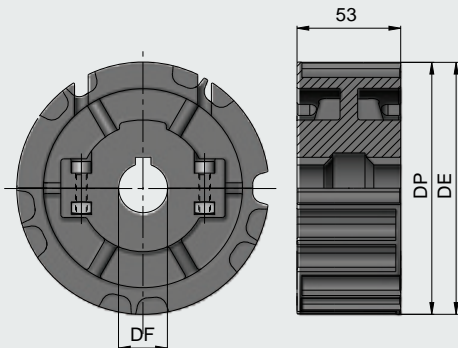
- * Prisonero bajo pedido.
- * Axial locking under request.
- * Perçage et taraudage sur demande.
- * Gewindestift auf Anfrage

C Rueda de tracción / Drive sprocket / Roue de traction / Antriebsrad.

M Poliamida reforzada. Reinforced polyamide. Polyamide renforcé. Aus verstärktem Polyamid.

815 - 815 G - 881 M

Z	DE	DP	DF	Kg	COD.	
19	117,0	117,34	25	0,20	6319001	10
			30		6319007	
			35		6319012	
			40		6319019	
21	129,0	129,26	25	0,20	6321002	10
			30		6321008	
			35		6321014	
			40		6321020	
23	141,0	141,22	25	0,30	6323003	10
			30		6323009	
			35		6323015	
			40		6323021	
25	153,0	153,20	25	0,40	6325004	10
			30		6325010	
			35		6325017	
			40		6325022	

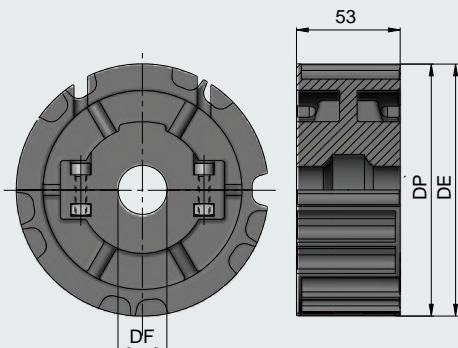


C Rueda de tracción partida / Split sprocket / Roue de traction divisée / Geteiltes Antriebsrad.

M Poliamida reforzada + Tornillería inoxidable. Reinforced polyamide + Screws in stainless steel. Polyamide renforcé + Visserie inoxydable. Aus verstärktem Polyamid, Verschraubung aus Edelstahl.

815 - 815 G - 881 M

Z	DE	DP	DF	Kg	COD.	
21	129,0	129,26	25	0,40	6321058	8
			30		6321061	
			35		6321064	
			40		6321067	
			45		6321070	
23	141,0	141,22	25	0,50	6323059	8
			30		6323062	
			35		6323065	
			40		6323068	
			45		6323071	
25	153,0	153,20	25	0,60	6325060	8
			30		6325063	
			35		6325066	
			40		6325069	
			45		6325072	

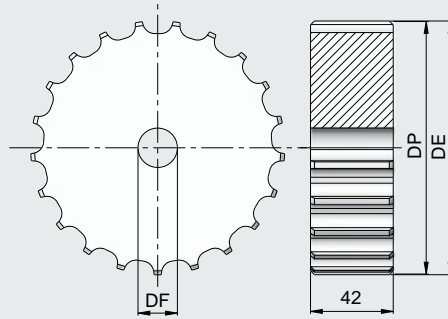
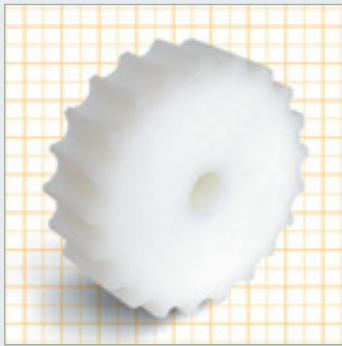


C Rueda de reenvío partida / Split idler wheel / Roue de renvoi divisée / Geteiltes Umlenkrad.

M Poliamida reforzada + Tornillería inoxidable. Reinforced polyamide + Screws in stainless steel. Polyamide renforcé + Visserie inoxydable. Aus verstärktem Polyamid, Verschraubung aus Edelstahl.

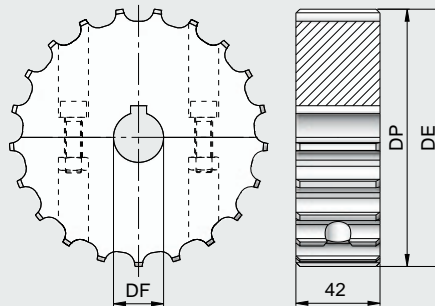
815 - 815 G - 881 M

Z	DE	DP	DF	Kg	COD.	
21	129,0	129,26	25	0,40	6621160	8
			30		6621161	
			35		6621162	
			40		6621163	
			45		6621164	
23	141,0	141,22	25	0,50	6623169	8
			30		6623170	
			35		6623171	
			40		6623172	
			45		6623173	
25	153,0	153,20	25	0,60	6625177	8
			30		6625178	
			35		6625179	
			40		6625180	
			45		6625181	



- C** Rueda de reenvío / Idler wheel / Roue de renvoi / Umlenkrad.
- M** Poliamida reforzada. Reinforced polyamide. Polyamide renforcé. Aus Gußpolyamid.
- 815 - 815 G - 881 M

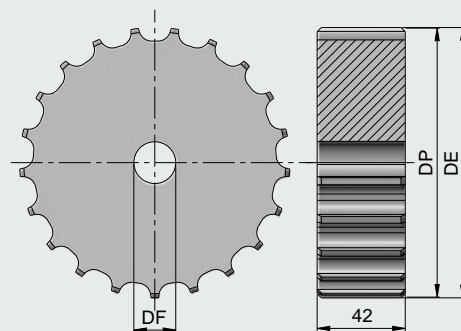
Z	DE	DP	DF	Kg	COD.	
15	92,0	92,67	20	0,20	6215055	10
17	104,0	105,47	20	0,20	6217056	
19	117,0	117,34	20	0,30	6219057	
21	129,0	129,26	20	0,40	6221058	
23	141,0	141,22	20	0,50	6223059	
25	153,0	153,20	20	0,60	6225060	
27	165,0	165,21	20	0,80	6227061	4
29	177,0	177,23	20	1,00	6229063	



- C** Rueda de tracción partida / Split sprocket / Roue de traction divisée / Geteiltes Antriebsrad.
- M** Poliamida reforzada + Tornillería inoxidable. Reinforced polyamide + Screws in stainless steel. Polyamide renforcé + Visserie inoxydable. Aus Gußpolyamid, Verschraubung aus Edelstahl.
- 815 - 815 G - 881 M

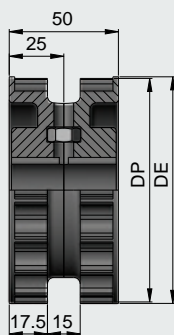
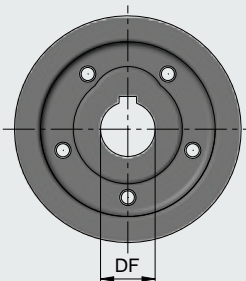
Z	DE	DP	DF	Kg	COD.	
19	117,0	117,34	25*	0,30	6219980	10
			25		6219440	
			30		6219442	
			35		6219444	
			40		6219445	
21	129,0	129,26	25*	0,40	6221447	
			25		6221448	
			30		6221449	
			35		6221451	
23	141,0	141,22	40	0,50	6221453	
			25*		6223474	
			25		6223475	
			30		6223477	
25	153,0	153,20	35	0,60	6223478	
			40		6223479	
			25*		6225496	
			25		6225497	
			30		6225498	
			35		6225500	
			40		6225503	

* SIN CHAVETERO / * WITHOUT KEY WAY
 * SANS CLAVETTER / * OHNE KEILNUT



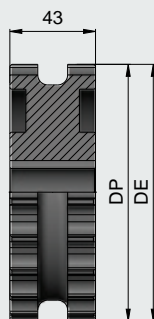
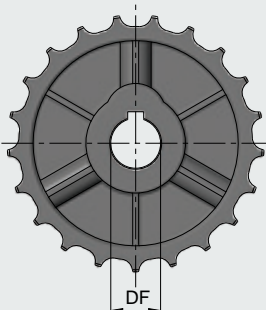
- C** Rueda de tracción-reenvío / Drive-idler sprocket / Roue de traction-renvoi / Umlenkrad.
- M** Acero. Steel. Acier. Aus Stahl.
- 815 - 815 G - 881 M

Z	DE	DP	DF	Kg	COD.	
15	93,0	93,67	20	1,80	6115042	4
17	104,0	105,47	20	2,40	6117043	
19	117,0	117,34	20	3,10	6119044	
21	129,0	129,26	20	3,90	6121045	
23	141,0	141,22	20	4,60	6123046	
25	153,0	153,20	20	5,50	6125047	2
27	165,0	165,21	20	6,50	6127048	



- C** Rueda de tracción / Drive sprocket / Roue de traction / Antriebsrad.
- M** Poliamida reforzada + Tornillería inoxidable. Polyamide reinforced + Screws in stainless steel. Polyamide renforcé + Visserie inoxydable. Aus verstärktem Polyamid, Verschraubung aus Edelstahl.
- 815 - 815G - 820 - 831 - 831 GF

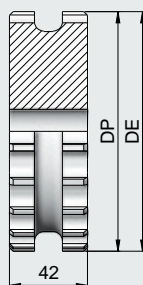
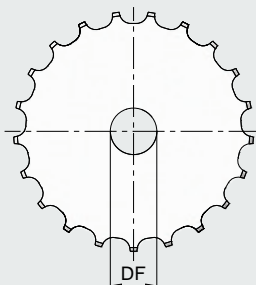
Z	DE	DP	DF	Kg	COD.	
17	104	102,5	25	0,28	6317470	15
			30		6317472	



- C** Rueda de tracción / Drive sprocket / Roue de traction / Antriebsrad.
- M** Poliamida reforzada. Reinforced polyamide. Polyamide renforcé. Aus verstärktem Polyamid.
- 820 - 831 - 831 GF

Z	DE	DP	DF	Kg	COD.	
19	117,0	117,34	25	0,20	6319088	10
			30		6319092	
			35		6319096	
			40		6319101	
21	129,0	129,26	25	0,20	6321089	
			30		6321093	
			35		6321097	
			40		6321102	
23	141,0	141,22	25	0,30	6323090	
			30		6323094	
			35		6323098	
			40		6323103	
25	153,0	153,20	25	0,30	6325091	
			30		6325095	
			35		6325099	
			40		6325104	

- * Prisonero bajo pedido.
- * Axial locking under request.
- * Perçage et taraudage sur demande.
- * Gewindestift auf Anfrage



- C** Rueda de tracción-reenvío / Drive-idler sprocket / Roue de traction-renvoi / Umlenkrad.
- M** Poliamida reforzada. Reinforced polyamide. Polyamide renforcé. Aus Gußpolyamid.
- 820 - 831 - 831 GF

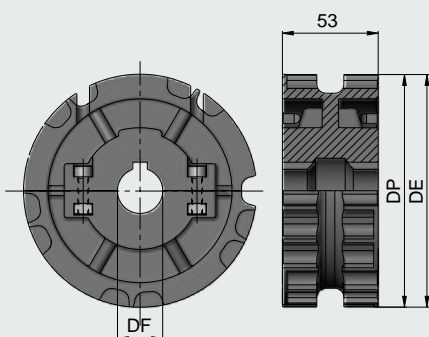
Z	DE	DP	DF	Kg	COD.	
15	92,0	92,67	20	0,18	6215620	10
17	104,0	105,47	20	0,18	6217624	
19	117,0	117,34	20	0,28	6219627	
21	129,0	129,26	20	0,38	6221631	
23	141,0	141,22	20	0,48	6223635	
25	153,0	153,20	20	0,58	6225642	4
27	165,0	165,21	20	0,78	6227647	
29	177,0	177,23	20	0,98	6229649	



C Rueda de tracción partida / Split sprocket / Roue de traction divisée / Geteiltes Antriebsrad.

M Poliamida reforzada + Tornillería inoxidable. Polyamide reinforced + Screws in stainless steel
 Polyamide renforcé + Visserie inoxydable. Aus verstärktem Polyamid, Verschraubung aus Edelstahl.

820 - 831 - 831 GF



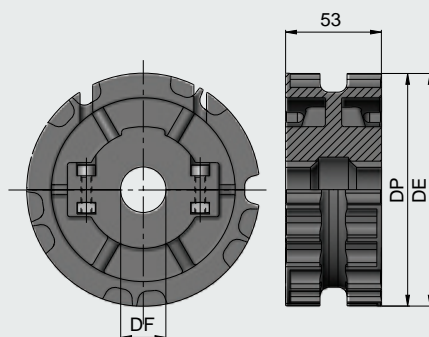
Z	DE	DP	DF	Kg	COD.	
21	129,0	129,26	25	0,40	6321073	8
			30		6321076	
			35		6321079	
			40		6321082	
			45		6321085	
23	141,0	141,22	25	0,50	6323074	8
			30		6323077	
			35		6323080	
			40		6323083	
			45		6323086	
25	153,0	153,20	25	0,50	6325075	8
			30		6325078	
			35		6325081	
			40		6325084	
			45		6325087	



C Rueda de reenvío partida / Split idler wheel / Roue de renvoi divisée / Geteiltes Umlenkrad.

M Poliamida reforzada + Tornillería inoxidable. Polyamide reinforced + Screws in stainless steel.
 Polyamide renforcé + Visserie inoxydable. Aus verstärktem Polyamid, Verschraubung aus Edelstahl.

820 - 831 - 831 GF



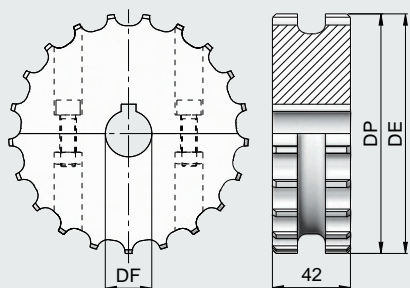
Z	DE	DP	DF	Kg	COD.	
21	129,0	129,26	25	0,40	6621501	8
			30		6621502	
			35		6621503	
			40		6621504	
			45		6621505	
23	141,0	141,22	25	0,50	6623512	8
			30		6623513	
			35		6623514	
			40		6623515	
			45		6623516	
25	153,0	153,20	25	0,50	6625520	8
			30		6625521	
			35		6625522	
			40		6625523	
			45		6625524	



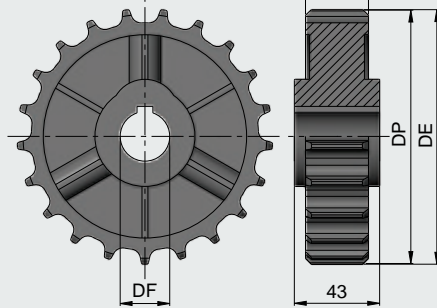
C Rueda de tracción partida / Split sprocket / Roue de traction divisée / Geteiltes Antriebsrad.

M Poliamida reforzada + Tornillería inoxidable. Polyamide reinforced + Screws in stainless steel.
 Polyamide renforcé + Visserie inoxydable. Aus Gußpolyamid, Verschraubung aus Edelstahl.

820 - 831 - 831 GF



Z	DE	DP	DF	Kg	COD.	
19	117,0	117,34	25	0,30	6219581	10
			30		6219582	
			35		6219583	
			40		6219584	
			45		6221590	
21	129,0	129,26	25	0,40	6221591	10
			30		6221592	
			35		6221593	
			40		6223598	
			45		6223599	
23	141,0	141,22	25	0,50	6223600	10
			30		6223601	
			35		6225605	
			40		6225606	
			45		6225607	
25	153,0	153,20	25	0,60	6225608	10
			30		6225609	
			35		6225610	

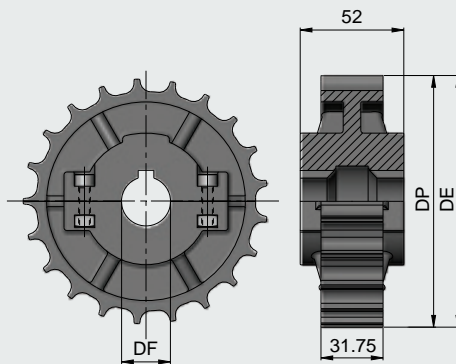


- * Prisionero bajo pedido.
- * Axial locking under request.
- * Perçage et tarudage sur demande.
- * Gewindestift auf Anfrage

- C** Rueda de tracción / Drive sprocket / Roue de traction / Antriebsrad.
- M** Poliamida reforzada. Reinforced polyamide. Polyamide renforcé. Aus verstärktem Polyamid.

881 - 881 TAB

Z	DE	DP	DF	Kg	COD.	
19	117,0	117,34	25	0,21	6319224	10
			30		6319228	
			35		6319233	
			40		6319237	
21	129,0	129,26	25	0,25	6321225	10
			30		6321229	
			35		6321234	
			40		6321238	
23	141,0	141,22	25	0,31	6323226	10
			30		6323230	
			35		6323235	
			40		6323239	
25	153,0	153,20	25	0,36	6325227	10
			30		6325231	
			35		6325236	
			40		6325240	

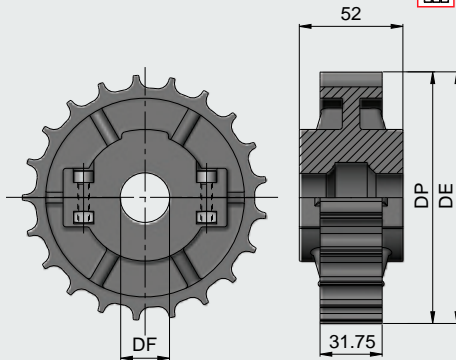


- C** Rueda de tracción partida / Split sprocket / Roue de traction divisée / Geteiltes Antriebsrad.

- M** Poliamida reforzada + Tornillería inoxidable. Polyamide reinforced + Screws in stainless steel. Polyamide renforcé + Visserie inoxydable. Aus verstärktem Polyamid, Verschraubung aus Edelstahl.

881 - 881 TAB

Z	DE	DP	DF	Kg	COD.	
21	129,0	129,26	25	0,37	6321258	8
			30		6321261	
			35		6321264	
			40		6321267	
			45		6321270	
23	141,0	141,22	25	0,44	6323259	8
			30		6323262	
			35		6323265	
			40		6323268	
			45		6323271	
25	153,0	153,20	25	0,49	6325260	8
			30		6325263	
			35		6325266	
			40		6325269	
			45		6325272	

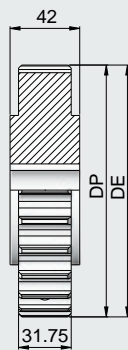
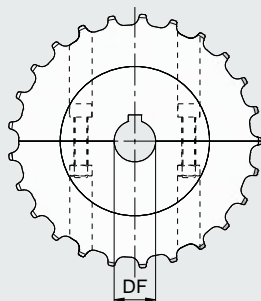


- C** Rueda de reenvío partida / Split idler wheel / Roue de renvoi divisée / Geteiltes Umlenkrad.

- M** Poliamida reforzada + Tornillería inoxidable. Polyamide reinforced + Screws in stainless steel. Polyamide renforcé + Visserie inoxydable. Aus verstärktem Polyamid, Verschraubung aus Edelstahl.

881 - 881 TAB

Z	DE	DP	DF	Kg	COD.	
21	129,0	129,26	25	0,37	6621536	8
			30		6621537	
			35		6621538	
			40		6621539	
			45		6621541	
23	141,0	141,22	25	0,44	6623547	8
			30		6623548	
			35		6623549	
			40		6623550	
			45		6623551	
25	153,0	153,20	25	0,49	6625557	8
			30		6625558	
			35		6625559	
			40		6625560	
			45		6625562	

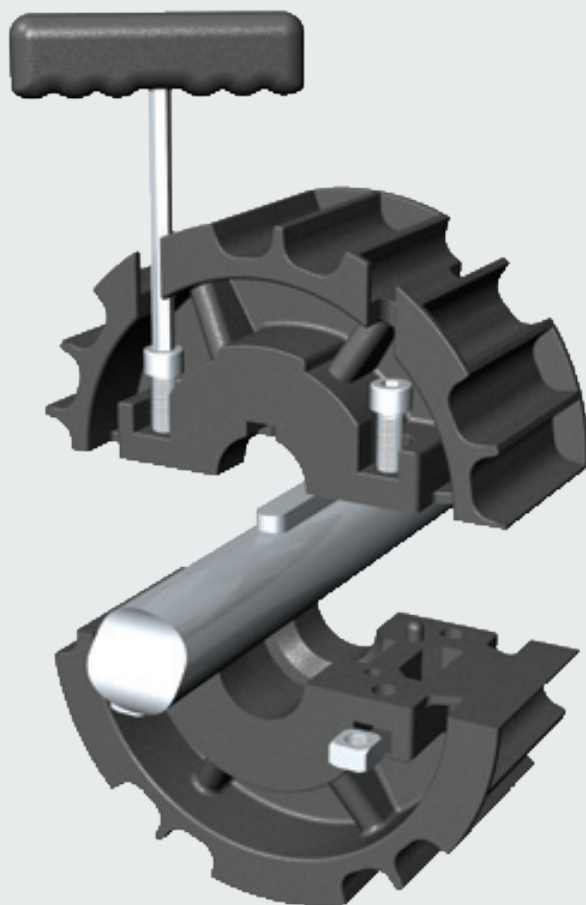


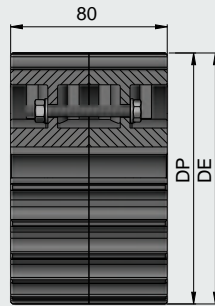
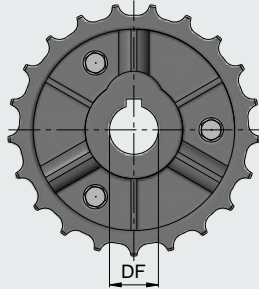
C Rueda de tracción-reenvío partida / Drive-idler sprocket / Roue de traction-renvoi divisée / Geteiltes Umlenkrad.

M Poliamida reforzada + Tornillería inoxidable
 Reinforced polyamide + Screws in stainless steel
 Polyamide renforcé + Visserie inoxydable
 Aus Gußpolyamid, Verschraubung aus Edelstahl.

881 - 881 TAB

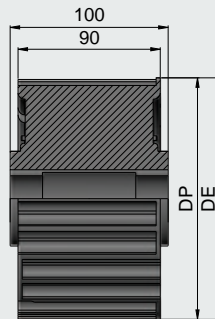
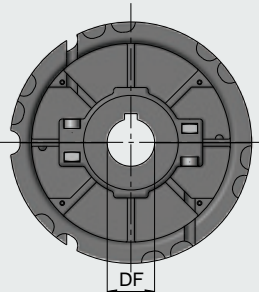
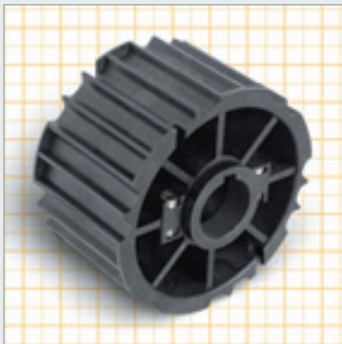
Z	DE	DP	DF	Kg	COD.	
19	117,0	117,34	25	0,30	6219510	10
			30		6219511	
			35		6219512	
			40		6219513	
21	129,0	129,26	25	0,40	6221516	10
			30		6221517	
			35		6221518	
			40		6221519	
23	141,0	141,22	25	0,50	6223523	10
			30		6223524	
			35		6223525	
			40		6223526	
25	153,0	153,20	25	0,60	6225529	10
			30		6225530	
			35		6225531	
			40		6225532	





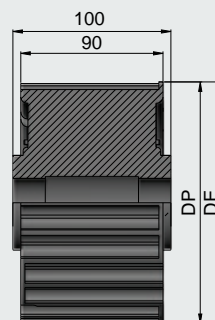
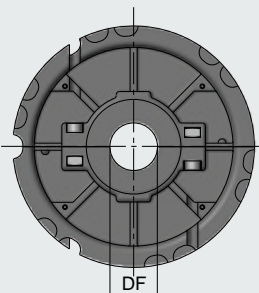
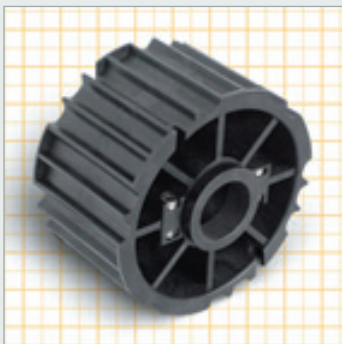
- C** Rueda de tracción / Drive sprocket / Roue de traction / Antriebsrad.
- M** Poliamida reforzada + Tornillería inoxidable.
 Polyamide reinforced + Screws in stainless steel.
 Polyamide renforcé + Visserie inoxydable.
 Aus verstärktem Polyamid, Verschraubung aus Edelstahl.
- 805 - 805 G - 821 - 821 BPM - 821 GF

Z	DE	DP	DF	Kg	COD.	
19	117,0	117,34	25	0,50	6319123	4
			30		6319134	
			35		6319137	
			40		6319142	
21	129,0	129,26	25	0,60	6321125	4
			30		6321130	
			35		6321133	
			40		6321139	
23	141,0	141,22	25	0,70	6323135	4
			30		6323146	
			35		6323157	
			40		6323159	
25	153,0	153,20	25	0,90	6325126	4
			30		6325131	
			35		6325136	
			40		6325143	



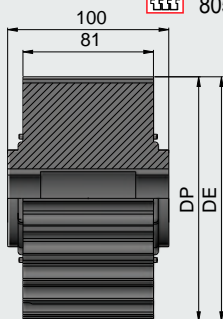
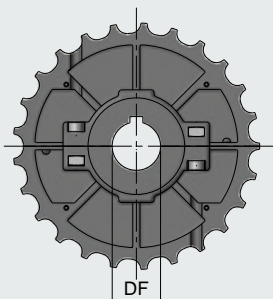
- C** Rueda de tracción partida / Split sprocket / Roue de traction divisée / Geteiltes Antriebsrad.
- M** Poliamida reforzada + Tornillería inoxidable.
 Polyamide reinforced + Screws in stainless steel.
 Polyamide renforcé + Visserie inoxydable.
 Aus verstärktem Polyamid, Verschraubung aus Edelstahl.
- 805 - 805 G

Z	DE	DP	DF	Kg	COD.	
25	153,0	153,20	30	0,90	6325407	4
			35		6325408	
			40		6325409	
			45		6325411	



- C** Rueda de reenvío partida / Idler wheel / Roue de renvoi divisée / Geteiltes Umlenkrad.
- M** Poliamida reforzada + Tornillería inoxidable.
 Polyamide reinforced + Screws in stainless steel.
 Polyamide renforcé + Visserie inoxydable.
 Aus verstärktem Polyamid, Verschraubung aus Edelstahl.
- 805 - 805 G

Z	DE	DP	DF	Kg	COD.	
25	153,0	153,20	30	0,90	6625221	4
			35		6625223	
			40		6625224	
			45		6625226	

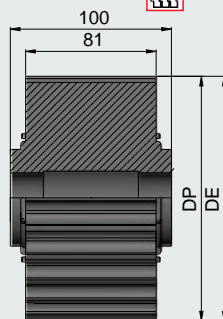
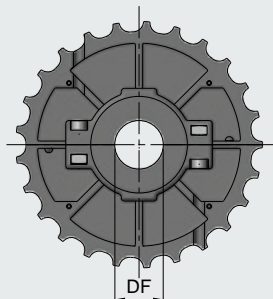
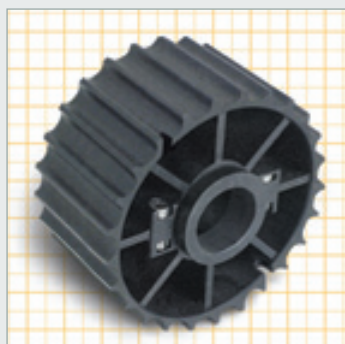


C Rueda de tracción partida / Split sprocket / Roue de traction divisée / Geteiltes Antriebsrad.

M Poliamida reforzada + Tornillería inoxidable.
 Polyamide reinforced + Screws in stainless steel.
 Polyamide renforcé + Visserie inoxydable.
 Aus verstärktem Polyamid, Verschraubung aus Edelstahl.

805 - 805 G - 821 - 821 BPM - 821 GF

Z	DE	DP	DF	Kg	COD.	
25	153,0	153,20	30	0,90	6325420	4
			35		6325421	
			40		6325422	
			45		6325424	

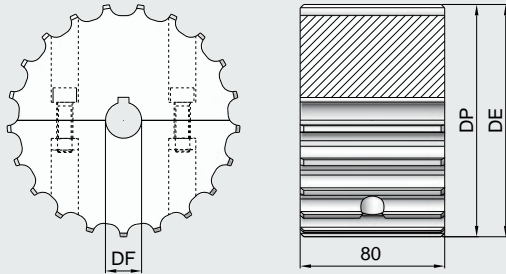
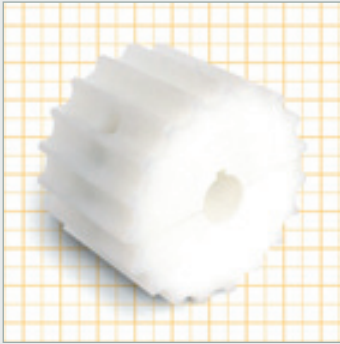


C Rueda de reenvío partida / Idler wheel / Roue de renvoi divisée / Geteiltes Umlenkrad.

M Poliamida reforzada + Tornillería inoxidable.
 Polyamide reinforced + Screws in stainless steel.
 Polyamide renforcé + Visserie inoxydable.
 Aus verstärktem Polyamid, Verschraubung aus Edelstahl.

805 - 805 G - 821 - 821 BPM - 821 GF

Z	DE	DP	DF	Kg	COD.	
25	153,0	153,20	30	0,90	6625291	4
			35		6625292	
			40		6625294	
			45		6625297	



C Rueda de tracción partida / Split sprocket / Roue de traction divisée / Geteiltes Antriebsrad.

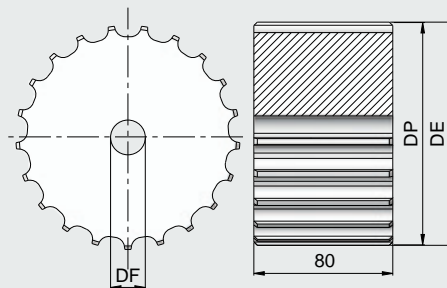
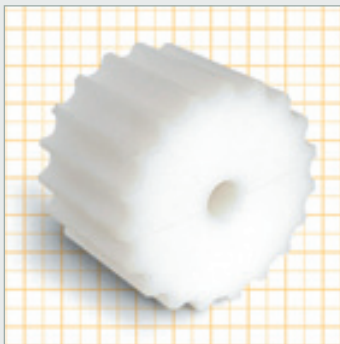
M Poliamida reforzada. Reinforced polyamide. Polyamide renforcé. Aus Gußpolyamid
Verschraubung aus Edelstahl 1.4301

805 - 805 G - 821 - 821 BPM - 821 GF

Z	DE	DP	DF	Kg	COD.	
15	93,0	93,67	20*	0,40	6215411	4
			25		6215412	
			30		6215413	
			35		6215414	
			40		6215437	
17	104,0	104,47	20*	0,50	6217415	4
			25		6217416	
			30		6217417	
			35		6217418	
			40		6217419	
19	117,0	117,34	20*	0,60	6219420	4
			25		6219421	
			30		6219422	
			35		6219438	
			40		6219439	
21	129,0	129,26	20*	0,80	6221423	4
			25		6221424	
			30		6221425	
			35		6221426	
			40		6221441	
23	141,0	141,22	20*	1,00	6223427	4
			25		6223428	
			30		6223429	
			35		6223430	
			40		6223443	
25	153,0	153,20	20*	1,20	6225431	4
			25		6225432	
			30		6225433	
			35		6225434	
			40		6225436	

* SIN CHAVETERO / * WITHOUT KEY WAY

* SANS CLAVETTER / * OHNE KEILNUT

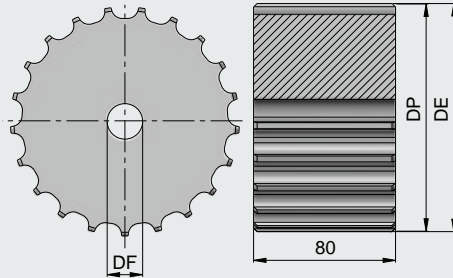


C Rueda de reenvío / Idler wheel / Roue de renvoi / Umlenkrad.

M Poliamida reforzada. Reinforced polyamid. Polyamide renforcé. Aus Gußpolyamid.

805 - 805 G - 821 - 821 BPM - 821 GF

Z	DE	DP	DF	Kg	COD.	
15	93,0	93,67	20	0,40	6215032	4
17	104,0	104,47	20	0,60	6217033	
19	117,0	117,34	20	0,70	6219534	
21	129,0	129,26	20	0,80	6221035	
23	141,0	141,22	20	1,10	6223036	
25	153,0	153,20	20	1,20	6225072	

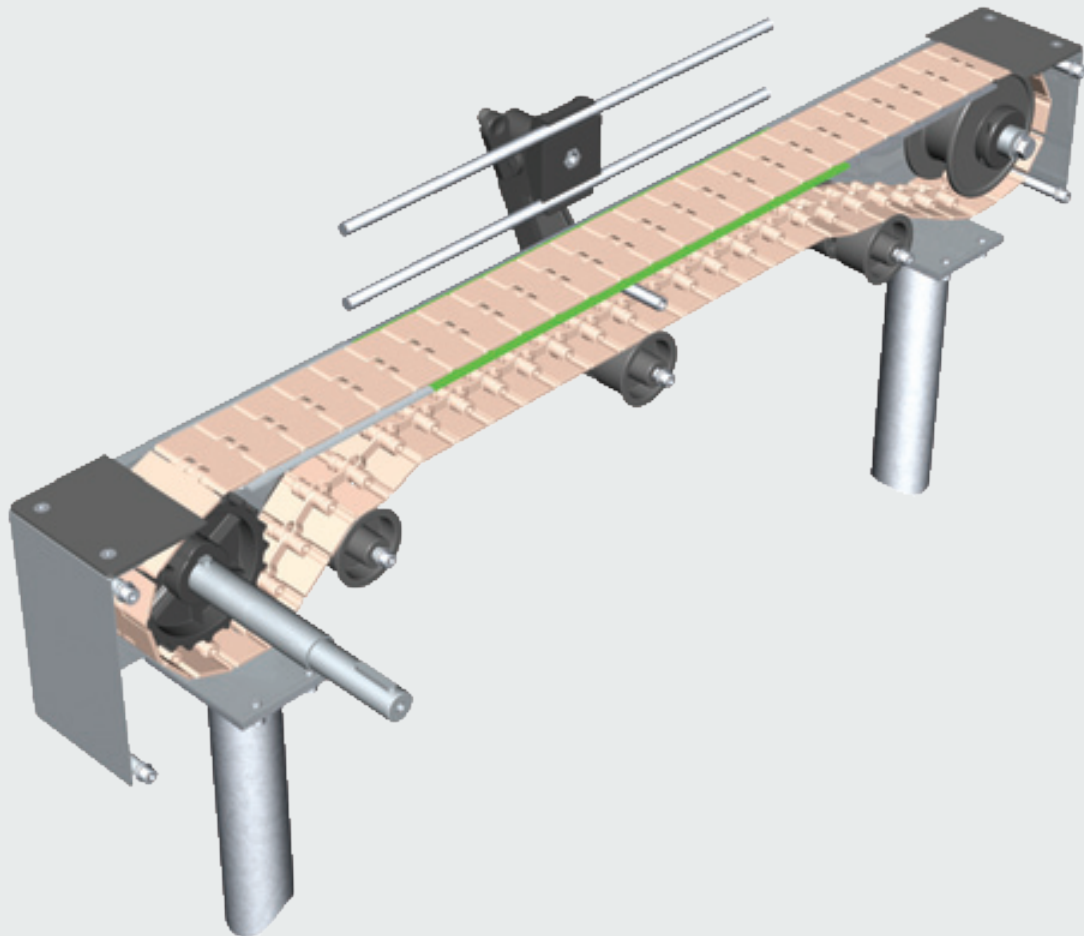


C Rueda de tracción-reenvío / Drive-idler sprocket / Roue de traction-renvoi / Umlenkrad.

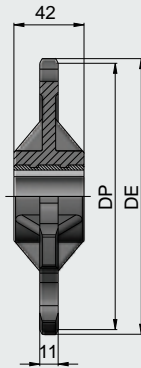
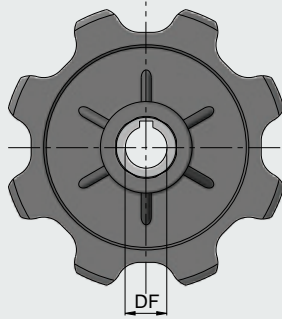
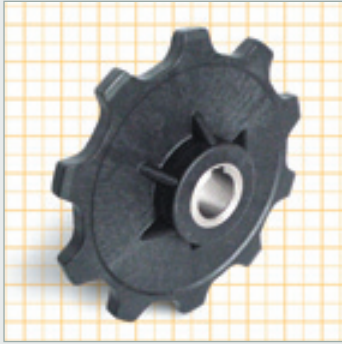
M Acero. Steel. Acier. Aus Stahl.

805 - 805 G - 821 - 821 BPM - 821 GF

Z	DE	DP	DF	Kg	COD.	
15	93,0	93,67	20	3,5	6115020	2
17	104,0	105,47	20	4,6	6117021	
19	117,0	117,34	20	5,8	6119022	
21	129,0	129,26	20	7,2	6121025	
23	141,0	141,22	20	8,6	6123026	
25	153,0	153,20	20	10,2	6125027	1

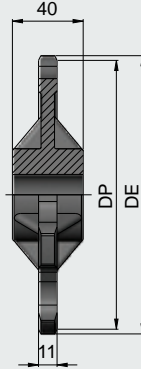
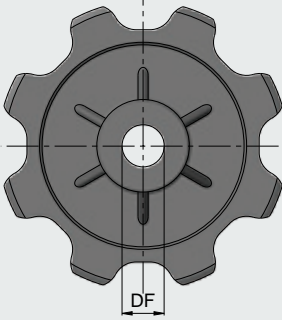


C



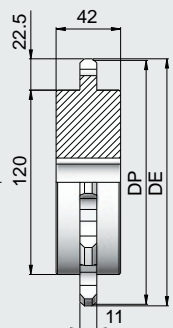
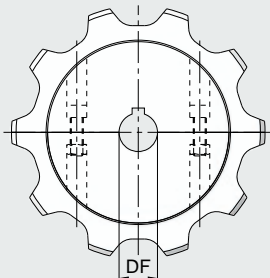
- C** Rueda de tracción / Drive sprocket / Roue de traction / Antriebsrad.
- M** Poliamida reforzada + Acero Inox. Reinforced polyamide + stainless steel. Polyamide renforcé + Acier Inox. Aus verstärktem Polyamid mit Nabe aus Edelstahl 1.4301
- 500 - 550

Z	DE	DP	DF	Kg	COD.	
8	134	130,5	25	0,36	6308187	10
			30	0,40	6308188	
10	165	161,8	25	0,43	6310182	10
			30	0,47	6310181	



- C** Rueda de reenvío / Idler wheel / Roue de renvoi / Umlenkrad.
- M** Poliamida reforzada. Reinforced polyamide. Polyamide renforcé. Aus verstärktem Polyamid.
- 500 - 550

Z	DE	DP	DF	Kg	COD.	
8	134	130,5	25	0,18	6608135	10
			30		6608136	
10	165	161,8	25	0,28	6610089	10
			30		6610090	

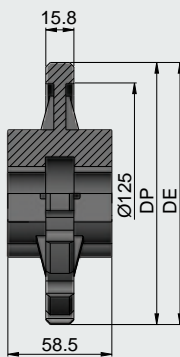
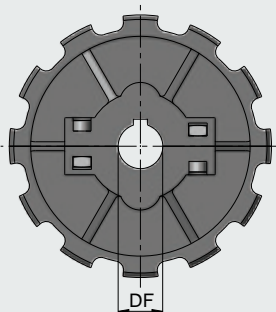


- C** Rueda de tracción partida / Split sprocket / Roue de traction divisée / Geteiltes Antriebsrad.
- M** Poliamida reforzada + Tornillería inoxidable. Polyamide reinforced + Screws in stainless steel. Polyamide renforcé + Visserie inoxydable. Aus Gußpolyamid, Verschraubung aus Edelstahl.
- 550

Z	DE	DP	DF	Kg	COD.	
10	165	161,8	25*	0,8	6210560	5
			25		6210561	
			30		6210562	
			35		6210563	
			40		6210564	

* SIN CHAVETERO / * WITHOUT KEY WAY
 * SANS CLAVETTER / * OHNE KEILNUT

C

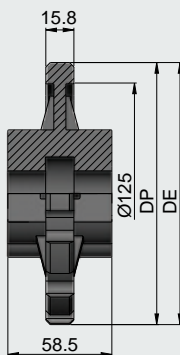
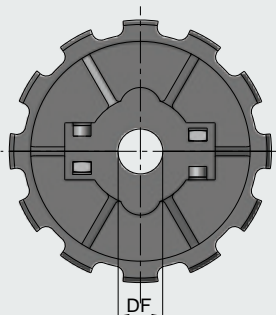


C Rueda de tracción partida / Split sprockets / Roue de traction divisée / Geteiltes Antriebsrad.

M Poliamida reforzada + Tornillería inoxidable. Polyamide reinforced + Screws in stainless steel. Polyamide renforcé + Visserie inoxydable. Aus verstärktem Polyamid, Verschraubung aus Edelstahl.

828 - 879 - 879 TAB - 879 M - 880 - 880 TAB - 880 M - 880 R 889 TAB - 887 TAB - 887

Z	DE	DP	DF	Kg	COD.	
12	147,2	147,21	25	0,39	6312124	8
			30		6312127	
			35		6312128	
			40		6312132	

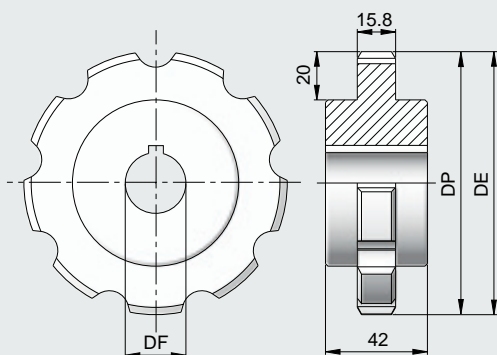


C Rueda de reenvío partida / Split Idler wheel / Roue de renvoi divisée / Geteiltes Umlenkrad.

M Poliamida reforzada + Tornillería inoxidable. Polyamide reinforced + Screws in stainless steel. Polyamide renforcé + Visserie inoxydable. Aus verstärktem Polyamid, Verschraubung aus Edelstahl.

828 - 879 - 879 TAB - 879 M - 880 - 880 TAB - 880 M - 880 R 889 TAB - 887 TAB - 887

Z	DE	DP	DF	Kg	COD.	
12	147,2	147,21	25	0,39	6612063	8
			30		6612064	
			35		6612065	
			40		6612066	



C Rueda de tracción / Drive sprocket / Roue de traction / Antriebsrad.

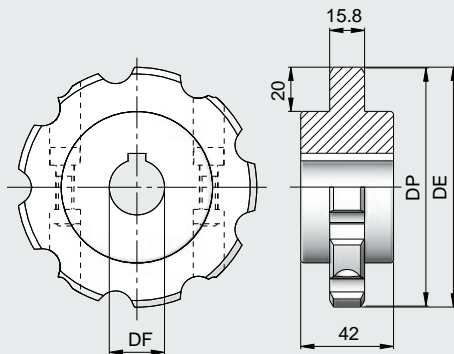
M Poliamida reforzada. Polyamide reinforced. Polyamide renforcé. Aus Gußpolyamid.

828 - 879 - 879 TAB - 879 M - 880 - 880 TAB - 880 M - 880 R 889 TAB - 887 TAB - 887

Z	DE	DP	DF	Kg	COD.	
9	108,50	111,4	25*	0,2	6209009	20
			25		6209235	5
			30		6209239	
			35		6209243	
			40		6209247	
10	120,50	123,29	25*	0,2	6210010	15
			25		6210236	5
			30		6210240	
			35		6210244	
			40		6210248	
11	134,0	135,23	25*	0,3	6211011	10
			25		6211237	4
			30		6211241	
			35		6211245	
			40		6211249	
12	147,2	147,21	25*	0,4	6212012	10
			25		6212238	4
			30		6212242	
			35		6212246	
			40		6212250	

* SIN CHAVETERO / * WITHOUT KEY WAY

* SANS CLAVETTER / * OHNE KEILNUT



C Rueda de tracción-reenvío partida / Split Drive-idler sprocket / Roue de traction-renvoi divisée / Geteiltes Umlenkrad.

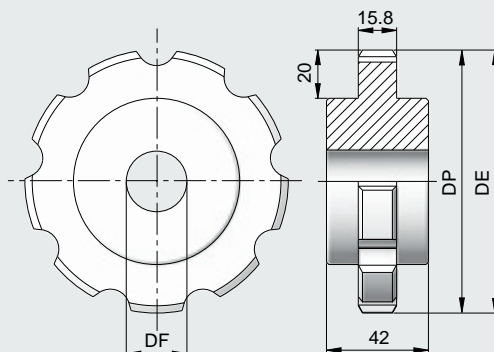
M Poliamida reforzada + Tornillería inoxidable. Polyamide reinforced + Screws in stainless steel. Polyamide renforcé + Visserie inoxydable. Aus Gußpolyamid, Verschraubung aus Edelstahl.

828 - 879 - 879 TAB - 879 M - 880 - 880 TAB - 880 M - 880 R
889 TAB - 887 TAB - 887

Z	DE	DP	DF	Kg	COD.	
9	108,5	111,4	25*	0,2	6209256	5
			25		6209261	
			30		6209265	
			35		6209269	
			40		6209273	
10	120,5	123,29	25*	0,3	6210257	5
			25		6210262	
			30		6210266	
			35		6210270	
			40		6210274	
11	134,0	135,23	25*	0,3	6211258	4
			25		6211263	
			30		6211267	
			35		6211271	
			40		6211275	
12	147,2	147,21	25*	0,4	6212259	4
			25		6212264	
			30		6212268	
			35		6212272	
			40		6212276	

* SIN CHAVETERO / * WITHOUT KEY WAY

* SANS CLAVETTER / * OHNE KEILNUT

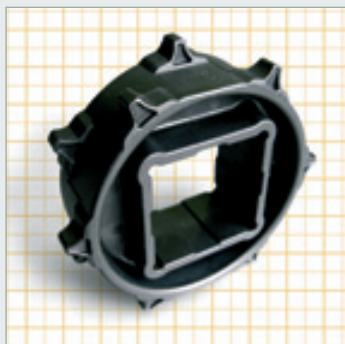


C Rueda de reenvío / Idler wheel / Roue de renvoi / Umlenkrad.

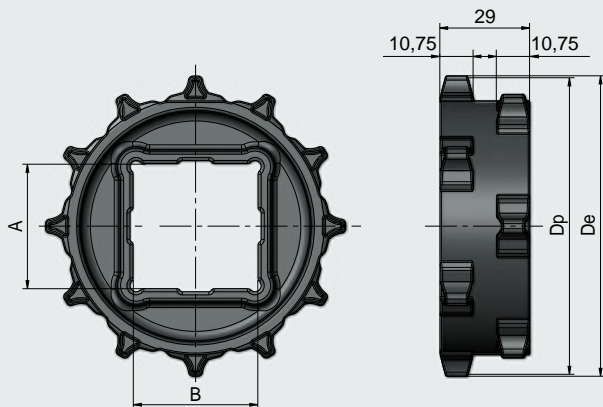
M Poliamida reforzada. Polyamide reinforced. Polyamide renforcé. Aus Gußpolyamid.

828 - 879 - 879 TAB - 879 M - 880 - 880 TAB - 880 M - 880 R
889 TAB - 887 TAB - 887

Z	DE	DP	DF	Kg	COD.	
9	108,50	111,4	25	0,2	6509302	5
			30		6509303	
			35		6509304	
			40		6509305	
			25		6510310	
10	120,50	123,29	30	0,2	6510311	5
			35		6510312	
			40		6510313	
			25		6511317	
			30		6511318	
11	134,0	135,23	35	0,3	6511319	4
			40		6511320	
			25		6512324	
			30		6512325	
			35		6512326	
12	147,2	147,21	40	0,4	6512327	4

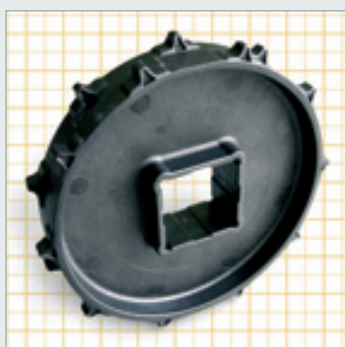


NUEVO PRODUCTO
NEW PRODUCT
NOUVEAU PRODUIT
NEUES PRODUKT

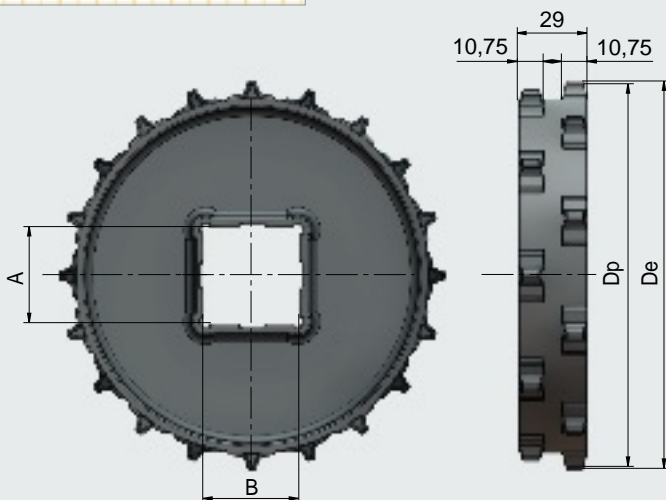


- C** Rueda de tracción / Drive sprocket / Roue de traction / Antriebsrad.
- M** Poliamida reforzada. Polyamide reinforced. Polyamide renforcé. Aus Gußpolyamid.
- 7253 - 9253

Z	DE	DP	AxB	Kg	COD.	
12	97,0	94,45	40X40	0,07	6312207	15



NUEVO PRODUCTO
NEW PRODUCT
NOUVEAU PRODUIT
NEUES PRODUKT

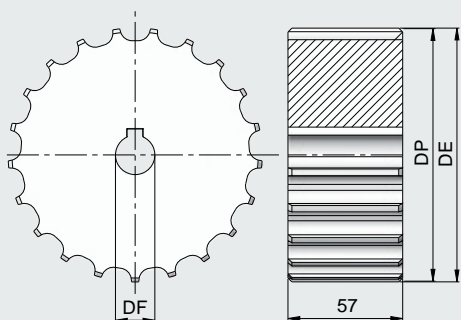


- C** Rueda de tracción / Drive sprocket / Roue de traction / Antriebsrad.
- M** Poliamida reforzada. Polyamide reinforced. Polyamide renforcé. Aus Gußpolyamid.
- 7253 - 9253

Z	DE	DP	AxB	Kg	COD.	
20	162,5	159,95	40X40	0,16	6320220	10



NUEVO PRODUCTO
NEW PRODUCT
NOUVEAU PRODUIT
NEUES PRODUKT



C Rueda de tracción / Drive sprocket /
Roue de traction / Antriebsrad.

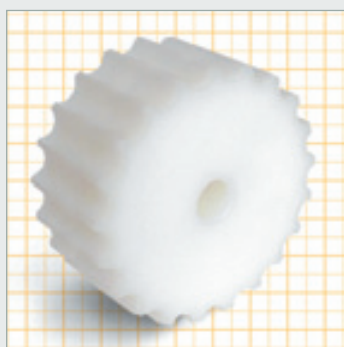
M Poliamida reforzada. Reinforced polyamide.
 Polyamide renforcé. Aus Gußpolyamid.

8157 - 8857M

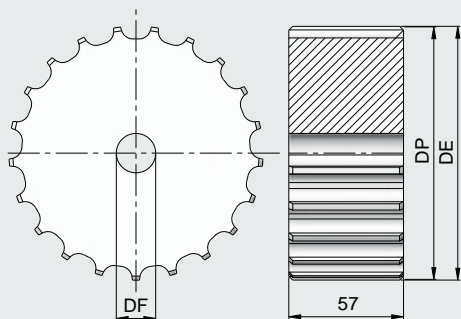
Z	DE	DP	DF	Kg	COD.	
17	104,0	104,47	25*	0,20	6217650	10
			25		6217683	
			30		6217684	
			35		6217685	
			40		6217686	
19	117,0	117,34	25*	0,30	6219651	
			25		6219688	
			30		6219689	
			35		6219690	
			40		6219691	
21	129,0	129,26	25*	0,40	6221652	
			25		6221693	
			30		6221694	
			35		6221695	
			40		6221696	
23	141,0	141,22	25*	0,50	6223653	
			25		6223698	
			30		6223699	
			35		6223700	
			40		6223705	
25	153,0	153,20	25*	0,60	6225654	
			25		6225724	
			30		6225725	
			35		6225726	
			40		6225727	

* SIN CHAVETERO / * WITHOUT KEY WAY

* SANS CLAVETTER / * OHNE KEILNUT



NUEVO PRODUCTO
NEW PRODUCT
NOUVEAU PRODUIT
NEUES PRODUKT

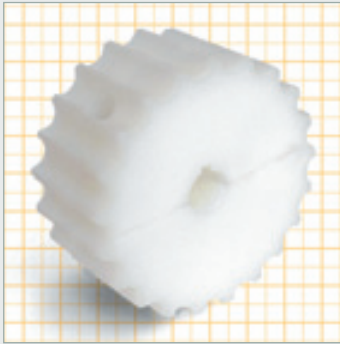


C Rueda de reenvío / Idler wheel /
Roue de renvoi / Umlenkrad.

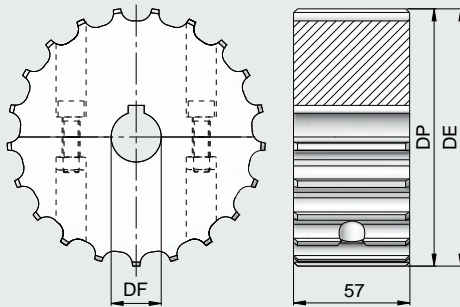
M Poliamida reforzada. Reinforced polyamide.
 Polyamide renforcé. Aus Gußpolyamid.

8157 - 8857M

Z	DE	DP	DF	Kg	COD.	
17	104,0	104,47	25	0,20	6217200	10
			30		6217201	
			35		6217202	
			40		6217203	
			25		6219210	
19	117,0	117,34	25	0,30	6219211	
			30		6219212	
			35		6219212	
			40		6219213	
			25		6221284	
21	129,0	129,26	25	0,40	6221285	
			30		6221286	
			35		6221286	
			40		6221287	
			25		6223307	
23	141,0	141,22	25	0,50	6223308	
			30		6223309	
			35		6223309	
			40		6223310	
			25		6225311	
25	153,0	153,20	25	0,60	6225312	
			30		6225313	
			35		6225313	
			40		6225314	
			25		6225314	



**NUEVO PRODUCTO
NEW PRODUCT
NOUVEAU PRODUIT
NEUES PRODUKT**



C Rueda de tracción partida / Split sprocket /
Roue de traction divisée / Geteiltes Antriebsrad.

M Poliamida reforzada + Tornillería inoxidable.
 Reinforced polyamide + Screws in stainless steel.
 Polyamide renforcé + Visserie inoxydable.
 Aus Gußpolyamid, Verschraubung aus Edelstahl.

8157 - 8857M

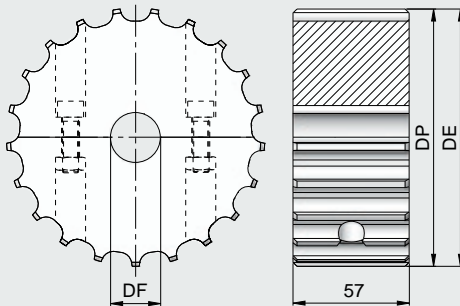
Z	DE	DP	DF	Kg	COD.	
17	104,0	104,47	25*	0,20	6217655	10
			25		6217602	
			30		6217603	
			35		6217604	
			40		6217605	
19	117,0	117,34	25*	0,30	6219656	
			25		6219607	
			30		6219608	
			35		6219609	
			40		6219610	
21	129,0	129,26	25*	0,40	6221657	
			25		6221612	
			30		6221613	
			35		6221614	
			40		6221616	
23	141,0	141,22	25*	0,50	6223658	
			25		6223661	
			30		6223662	
			35		6223663	
			40		6223664	
25	153,0	153,20	25*	0,60	6225659	
			25		6225667	
			30		6225668	
			35		6225669	
			40		6225670	

* SIN CHAVETERO / * WITHOUT KEY WAY

* SANS CLAVETTER / * OHNE KEILNUT



**NUEVO PRODUCTO
NEW PRODUCT
NOUVEAU PRODUIT
NEUES PRODUKT**

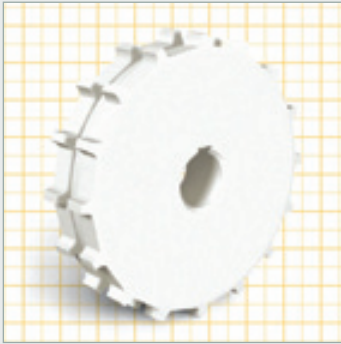


C Rueda de reenvío partida / Split idler wheel /
Roue de renvoi divisée / Geteiltes Umlenkrad.

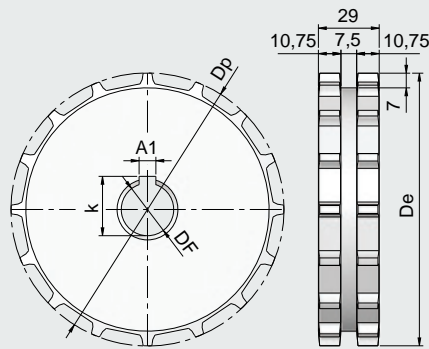
M Poliamida reforzada + Tornillería inoxidable.
 Reinforced polyamide + Screws in stainless steel.
 Polyamide renforcé + Visserie inoxydable.
 Aus Gußpolyamid, Verschraubung aus Edelstahl.

8157 - 8857M

Z	DE	DP	DF	Kg	COD.	
17	104,0	104,47	25	0,20	6217454	10
			30		6217455	
			35		6217456	
			40		6217457	
			25		6219480	
19	117,0	117,34	25	0,30	6219481	
			30		6219482	
			35		6219483	
			40		6219483	
			25		6221639	
21	129,0	129,26	25	0,40	6221640	
			30		6221641	
			35		6221643	
			40		6221643	
			25		6223665	
23	141,0	141,22	25	0,50	6223666	
			30		6223667	
			35		6223667	
			40		6223668	
			25		6225671	
25	153,0	153,20	25	0,60	6225672	
			30		6225673	
			35		6225673	
			40		6225674	
			25		6225674	



**NUEVO PRODUCTO
NEW PRODUCT
NOUVEAU PRODUIT
NEUES PRODUKT**



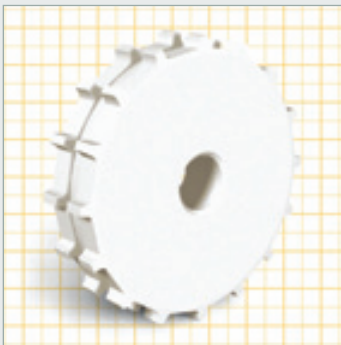
- C** Rueda de tracción / Drive sprocket / Roue de traction / Antriebsrad.
- M** Poliamida reforzada. Polyamide reinforced. Poliamide renforcé. Aus Gußpolyamid.
- 7253 - 9253

Z	DE	DP	DF	Kg	COD.	
12	97,0	98,15	25*	0,18	6212290	5
			25		6212291	
			30		6212292	
			35		6212293	
			40		6212294	
16	130,0	130,2	25*	0,36	6216296	5
			25		6216297	
			30		6216298	
			35		6216299	
			40		6216300	
18	146,0	146,28	25*	0,47	6218302	4
			25		6218303	
			30		6218304	
			35		6218305	
			40		6218306	
19	154,5	154,33	25*	0,53	6219308	4
			25		6219309	
			30		6219310	
			35		6219311	
			40		6219312	
20	162,5	162,38	25*	0,59	6220315	4
			25		6220316	
			30		6220317	
			35		6220318	
			40		6220319	
21	170,5	170,4	25*	0,76	6221321	4
			25		6221322	
			30		6221323	
			35		6221324	
			40		6221325	

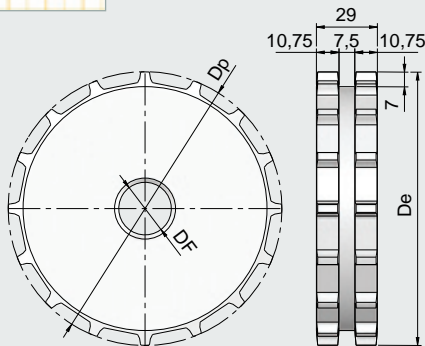
* SIN CHAVETERO / * WITHOUT KEY WAY

* SANS CLAVETTER / * OHNE KEILNUT

Otro número de dientes y/o diámetro de eje bajo demanda
Disponibilité avec différent numéro de dents et/ou diamètre d'axe sur demande



**NUEVO PRODUCTO
NEW PRODUCT
NOUVEAU PRODUIT
NEUES PRODUKT**



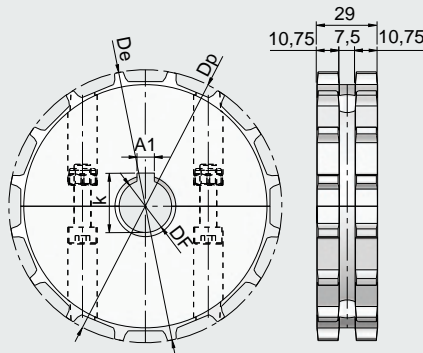
- C** Rueda de reenvío / Idler wheel / Roue de renvoi / Umlenkrad.
- M** Poliamida reforzada. Polyamide reinforced. Poliamide renforcé. Aus Gußpolyamid.
- 7253 - 9253

Z	DE	DP	DF	Kg	COD.	
12	97,0	98,15	25	0,18	6512720	5
			30		6512721	
			35		6512722	
			40		6512723	
			25		6516726	
16	130,0	130,2	25	0,36	6516727	5
			30		6516728	
			35		6516728	
			40		6516728	
			25		6518731	
18	146,0	146,28	25	0,47	6518732	4
			30		6518732	
			35		6518733	
			40		6518734	
			25		6519737	
19	154,5	154,33	25	0,53	6519738	4
			30		6519738	
			35		6519739	
			40		6519740	
			25		6520742	
20	162,5	162,38	25	0,59	6520743	4
			30		6520743	
			35		6520744	
			40		6520745	
			25		6521750	
21	170,5	170,4	25	0,66	6521751	4
			30		6521751	
			35		6521752	
			40		6521752	
			40		6521754	

Otro número de dientes y/o diámetro de eje bajo demanda
Disponibilité avec différent numéro de dents et/ou diamètre d'axe sur demande



**NUEVO PRODUCTO
NEW PRODUCT
NOUVEAU PRODUIT
NEUES PRODUKT**



Otro número de dientes y/o diámetro de eje bajo demanda
Disponibilité avec différent numéro de dents et/ou diamètre d'axe sur demande

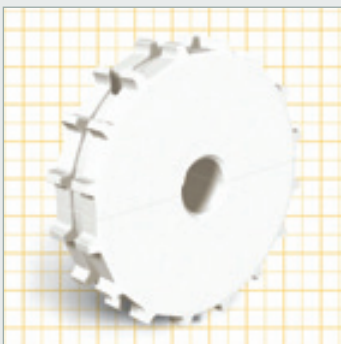
- C** Rueda de tracción partida / Split sprockets / Roue de traction divisée / Geteiltes Antriebsrad.
- M** Poliamida reforzada + Tornillería inoxidable. Polyamide reinforced + Screws in stainless steel. Polyamide renforcé + Visserie inoxydable. Aus Gußpolyamid, Verschraubung aus Edelstahl.

7253 - 9253

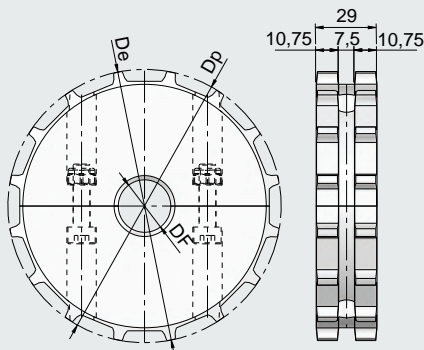
Z	DE	DP	DF	Kg	COD.	
12	97,0	98,15	25*	0,21	6212375	5
			25		6212376	
			30		6212377	
			35		6212378	
			40		6212379	
16	130,0	130,2	25*	0,39	6216381	5
			25		6216382	
			30		6216383	
			35		6216384	
			40		6216385	
18	146,0	146,28	25*	0,49	6218387	4
			25		6218388	
			30		6218389	
			35		6218390	
			40		6218391	
19	154,5	154,33	25*	0,55	6219393	4
			25		6219394	
			30		6219395	
			35		6219396	
			40		6219397	
20	162,5	162,38	25*	0,60	6220399	4
			25		6220400	
			30		6220401	
			35		6220402	
			40		6220403	
21	170,5	170,4	25*	0,67	6221370	4
			25		6221371	
			30		6221372	
			35		6221373	
			40		6221374	

* SIN CHAVETERO / * WITHOUT KEY WAY

* SANS CLAVETTER / * OHNE KEILNUT



**NUEVO PRODUCTO
NEW PRODUCT
NOUVEAU PRODUIT
NEUES PRODUKT**

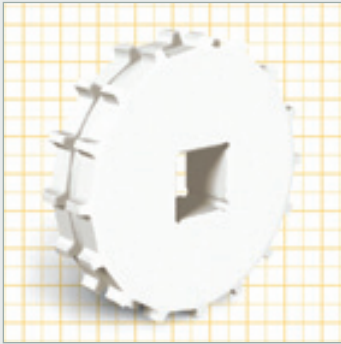


Otro número de dientes y/o diámetro de eje bajo demanda
Disponibilité avec différent numéro de dents et/ou diamètre d'axe sur demande

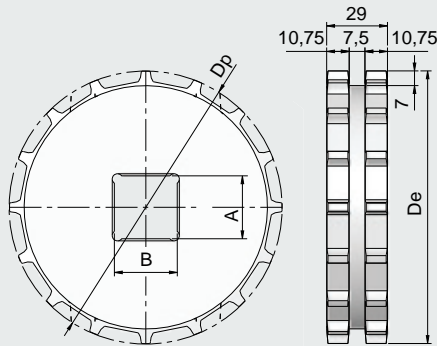
- C** Rueda de reenvío partida / Split Idler wheel / Roue de renvoi divisée / Geteiltes Umlenkrad.
- M** Poliamida reforzada + Tornillería inoxidable. Polyamide reinforced + Screws in stainless steel. Polyamide renforcé + Visserie inoxydable. Aus verstärktem Polyamid, Verschraubung aus Edelstahl.

7253 - 9253

Z	DE	DP	DF	Kg	COD.	
12	97,0	98,15	25	0,21	6512765	5
			30		6512766	
			35		6512767	
			40		6512768	
			25		6516770	
16	130,0	130,2	30	0,39	6516771	5
			35		6516772	
			40		6516773	
			25		6518776	
			30		6518777	
18	146,0	146,28	35	0,49	6518778	4
			40		6518779	
			25		6519781	
			30		6519782	
			35		6519783	
19	154,5	154,33	40	0,55	6519784	4
			25		6520786	
			30		6520787	
			35		6520788	
			40		6520790	
20	162,5	162,38	25	0,60	6521792	4
			30		6521793	
			35		6521794	
			40		6521795	
			25		6521792	
21	170,5	170,4	30	0,67	6521793	4
			35		6521794	
			40		6521795	
			25		6521792	
			30		6521793	



**NUEVO PRODUCTO
NEW PRODUCT
NOUVEAU PRODUIT
NEUES PRODUKT**



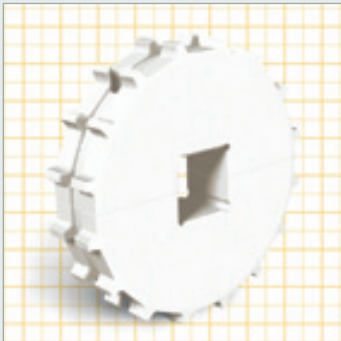
Otro número de dientes y/o cuadrado de eje bajo demanda
Autres pignons et alésage carrée a la demande

C Rueda de tracción / Drive sprocket / Roue de traction / Antriebsrad.

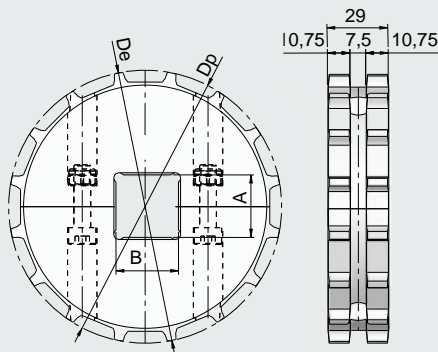
M Poliamida reforzada.
 Polyamide reinforced.
 Polyamide renforcé.
 Aus Gußpolyamid.

7253 - 9253

Z	DE	DP	AxB	Kg	COD.	
12	97,0	98,15	25x25	0,18	6212460	5
			30x30		6212461	
			35x35		6212462	
			40x40		6212463	
16	130,0	130,2	25x25	0,36	6216465	5
			30x30		6216466	
			35x35		6216467	
			40x40		6216468	
18	146,0	146,28	25x25	0,47	6218470	4
			30x30		6218471	
			35x35		6218472	
			40x40		6218473	
19	154,5	154,33	25x25	0,53	6219485	4
			30x30		6219486	
			35x35		6219487	
			40x40		6219488	
20	162,5	162,38	25x25	0,59	6220489	4
			30x30		6220490	
			35x35		6220492	
			40x40		6220493	
21	170,5	170,4	25x25	0,66	6221505	4
			30x30		6221506	
			35x35		6221507	
			40x40		6221508	



**NUEVO PRODUCTO
NEW PRODUCT
NOUVEAU PRODUIT
NEUES PRODUKT**



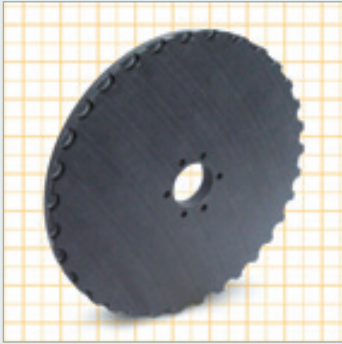
Otro número de dientes y/o cuadrado de eje bajo demanda
Autres pignons et alésage carrée a la demande

C Rueda de tracción partida / Split sprockets / Roue de traction divisée / Geteiltes Antriebsrad.




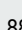
M Poliamida reforzada + Tornillería inoxidable.
 Polyamide reinforced + Screws in stainless steel.
 Polyamide renforcé + Visserie inoxydable.
 Aus Gußpolyamid, Verschraubung aus Edelstahl.


7253 - 9253

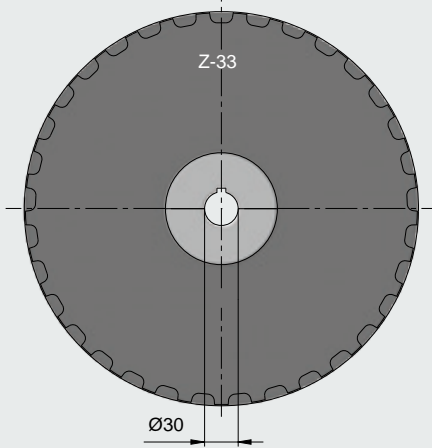
Z	DE	DP	DF	Kg	COD.	
12	97,0	98,15	25x25	0,21	6212535	5
			30x30		6212536	
			35x35		6212537	
			40x40		6212538	
16	130,0	130,2	25x25	0,39	6216540	5
			30x30		6216541	
			35x35		6216542	
			40x40		6216543	
18	146,0	146,28	25x25	0,49	6218545	4
			30x30		6218546	
			35x35		6218547	
			40x40		6218548	
19	154,5	154,33	25x25	0,55	6219551	4
			30x30		6219552	
			35x35		6219553	
			40x40		6219554	
20	162,5	162,38	25x25	0,60	6220555	4
			30x30		6220556	
			35x35		6220557	
			40x40		6220558	
21	170,5	170,4	25x25	0,67	6221570	4
			30x30		6221571	
			35x35		6221572	
			40x40		6221573	



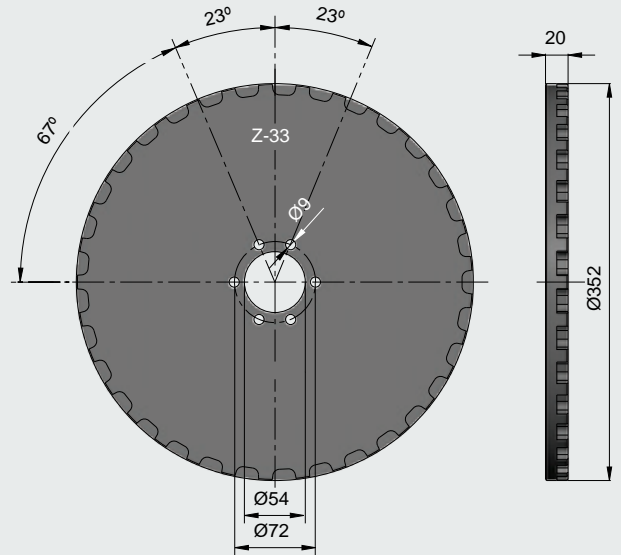
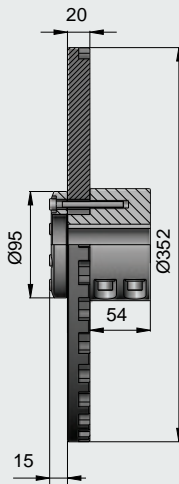
C Rueda de tracción-reenvío / Drive-idler sprocket / Roue de traction - renvoi / Umlenkrad.

M  Polietileno UHMW 1000 "DESLIDUR".
 UHMW 1000 "DESLIDUR" Polyethylene.
 Polyéthylène UHMW 1000 "DESLIDUR".
 Polyäthylen UHMW 1000 "DESLIDUR".

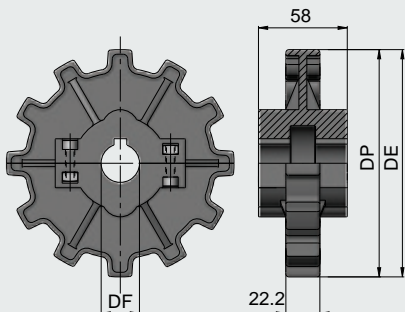
 880 R - 889 TAB



COD. 6233260

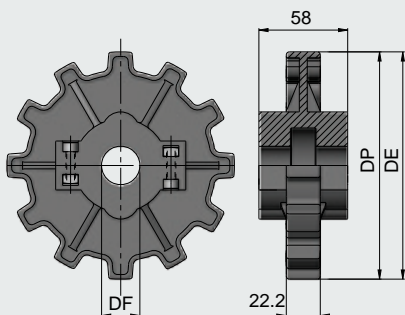


COD. 6233255



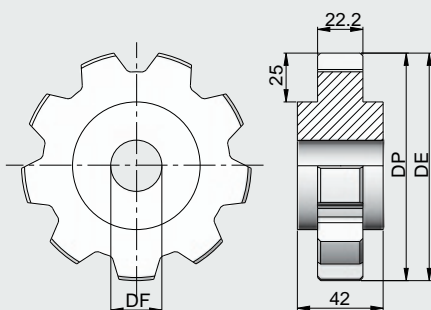
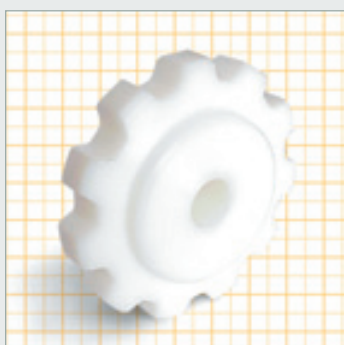
- C** Rueda de tracción partida / Split sprocket / Roue de traction divisée / Geteiltes Antriebsrad.
- M** Poliamida reforzada + Tornillería inoxidable. Polyamide reinforced + Screws in stainless steel. Polyamide renforcé + Visserie inoxydable. Aus verstärktem Polyamid, Verschraubung aus Edelstahl.
- 882 882 TAB - 882 TAB BPM - 882 TAB GF**
882 M - 882 M GF - 882 M BP - 8257 - 8257 GF
8257 BPM

Z	DE	DP	DF	Kg	COD.	
12	148,5	147,2	25	0,38	6312140	8
			30		6312144	
			35		6312148	
			40		6312152	
			45		6312155	



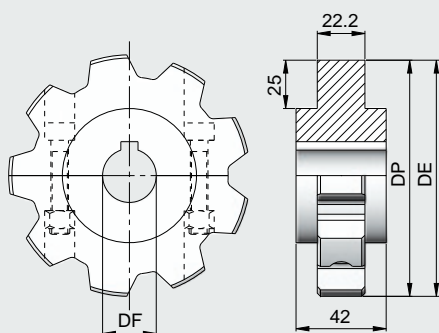
- C** Rueda de reenvío partida / Split idler wheel / Roue de renvoi divisée / Geteiltes Umlenkrad.
- M** Poliamida reforzada + Tornillería inoxidable. Polyamide reinforced + Screws in stainless steel. Polyamide renforcé + Visserie inoxydable. Aus verstärktem Polyamid, Verschraubung aus Edelstahl.
- 882 - 882 TAB - 882 TAB BPM - 882 TAB GF**
882 M - 882 M GF - 882 M BP - 8257 - 8257 GF
8257 BPM

Z	DE	DP	DF	Kg	COD.	
12	148,5	147,2	25	0,38	6612083	8
			30		6612084	
			35		6612085	
			40		6612086	
			45		6612087	



- C** Rueda de reenvío / Idler wheel / Roue de renvoi / Umlenkrad.
- M** Poliamida reforzada. Reinforced polyamide. Polyamide renforcé. Aus Gußpolyamid.
- 882 - 882 TAB - 882 TAB BPM - 882 TAB GF**
882 M - 882 M GF - 882 M BP - 8257 - 8257 GF
8257 BPM

Z	DE	DP	DF	Kg	COD.	
9	112,5	111,4	25	0,20	6509131	5
			30		6509133	
			35		6509139	
			40		6509143	
10	124,9	123,4	25	0,26	6510132	5
			30		6510136	
			35		6510140	
			40		6510144	
11	136,4	135,2	25	0,33	6511134	4
			30		6511137	
			35		6511141	
			40		6511145	
12	148,5	147,2	25	0,41	6512135	4
			30		6512138	
			35		6512142	
			40		6512146	

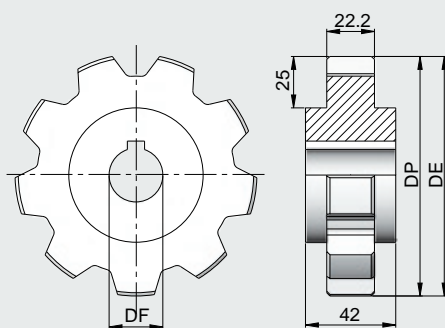
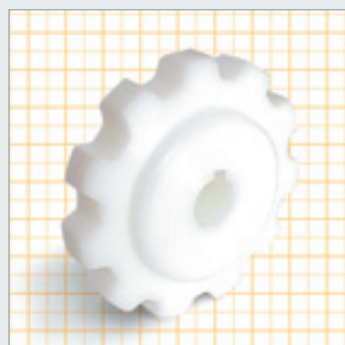


- M** Rueda de tracción partida / Split sprocket / Roue de traction divisée / Geteiltes Antriebsrad.
- C** Poliamida reforzada + Tornillería inoxidable. Polyamide reinforced + Screws in stainless steel. Polyamide renforcé + Visserie inoxydable. Aus Gußpolyamid, Verschraubung aus Edelstahl.
- 882 - 882 TAB - 882 TAB BPM - 882 TAB GF
882 M - 882 M GF - 882 M BP - 8257 - 8257 GF
8257 BPM

Z	DE	DP	DF	Kg	COD.	
9	112,5	111,4	25*	0,22	6209326	5
			30		6209331	
			35		6209335	
			40		6209339	
10	124,9	123,4	25*	0,28	6210327	5
			30		6210332	
			35		6210336	
			40		6210340	
11	136,4	135,2	25*	0,35	6211328	4
			30		6211333	
			35		6211337	
			40		6211341	
12	148,5	147,2	25*	0,43	6212329	4
			30		6212334	
			35		6212338	
			40		6212342	

* SIN CHAVETERO / * WITHOUT KEY WAY

* SANS CLAVETTER / * OHNE KEILNUT

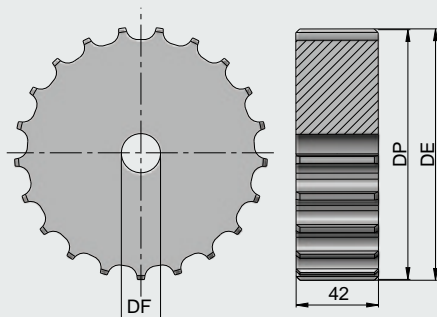


- C** Rueda de tracción / Drive sprocket / Roue de traction / Antriebsrad.
- M** Poliamida reforzada. Reinforced polyamide. Polyamide renforcé. Aus Gußpolyamid.
- 882 - 882 TAB - 882 TAB BPM - 882 TAB GF
882 M - 882 M GF - 882 M BP - 8257 - 8257 GF
8257 BPM

Z	DE	DP	DF	Kg	COD.	
9	112,5	111,4	25*	0,20	6209344	5
			25		6209349	
			30		6209353	
			35		6209357	
10	124,9	123,4	25*	0,26	6210345	5
			25		6210350	
			30		6210354	
			35		6210358	
11	136,4	135,2	25*	0,33	6211346	4
			25		6211351	
			30		6211355	
			35		6211359	
12	148,5	147,2	25*	0,41	6212347	4
			25		6212352	
			30		6212356	
			35		6212360	
			40		6212365	

* SIN CHAVETERO / * WITHOUT KEY WAY

* SANS CLAVETTER / * OHNE KEILNUT

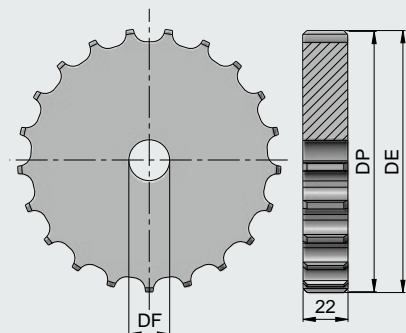


C Rueda de tracción-reenvío / Drive-idler sprocket / Roue de traction-renvoi / Umlenkrad.

M Acero. Steel. Acier. Aus Stahl.

515

Z	DE	DP	DF	Kg	COD.	
17	141,0	138,23	20	4,75	6117011	4
19	157,0	154,32	20	5,90	6119012	
21	173,0	170,42	20	7,20	6121014	
23	190,0	186,54	20	8,60	6123015	
25	206,0	202,66	20	10,20	6125016	2
27	222,0	218,79	20	11,80	6127017	

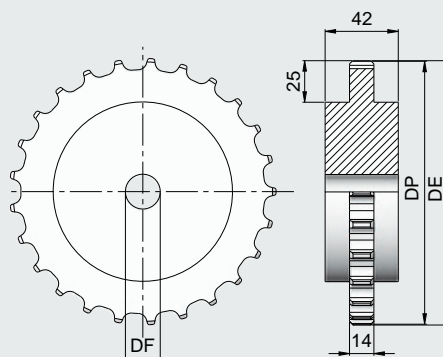


C Rueda de tracción-reenvío / Drive-idler sprocket / Roue de traction-renvoi / Umlenkrad.

M Acero. Steel. Acier. Aus Stahl.

810

Z	DE	DP	DF	Kg	COD.	
15	93,0	93,67	20	0,90	6115032	6
17	104,0	105,47	20	1,20	6117033	
19	117,0	117,34	20	1,60	6119034	
21	129,0	129,26	20	2,00	6121035	
23	141,0	141,22	20	2,30	6123036	
25	153,0	153,20	20	2,80	6125037	
27	165,0	165,21	20	3,30	6127038	3
29	177,0	177,23	20	4,00	6129039	

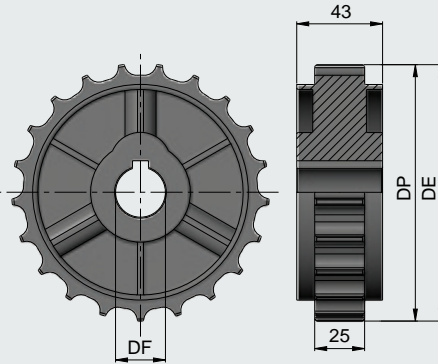


C Rueda de tracción-reenvío / Drive-idler sprocket / Roue de traction-renvoi / Umlenkrad.

M Poliamida reforzada. Reinforced polyamide. Polyamide renforcé. Aus verstärktem Polyamide.

400 . 90

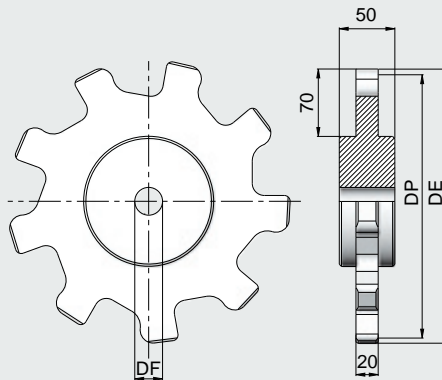
Z	DE	DP	DF	Kg	COD.	
19	130	121,52	20	0,31	6219177	10
21	143	134,20	20	0,40	6221178	
23	154	146,90	20	0,48	6223179	
25	168	159,58	20	0,60	6225180	



- * Prisonero bajo pedido.
- * Axial locking under request.
- * Perçage et taraudage sur demande.
- * Gewindestift auf Anfrage

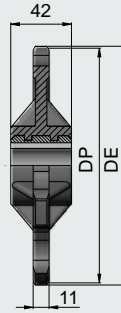
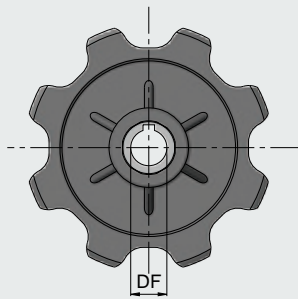
C Rueda de tracción / Drive sprocket / Roue de traction / Antriebsrad.
M Poliamida reforzada. Reinforced polyamide. Polyamide renforcé. Aus verstärktem Polyamid.
 900

Z	DE	DP	DF	Kg	COD.	
19	117,0	117,34	25	0,210	6319160	10
			30		6319164	
			35		6319168	
			40		6319172	
21	129,0	129,26	25	0,240	6321161	10
			30		6321165	
			35		6321169	
			40		6321173	
23	141,0	141,22	25	0,300	6323162	10
			30		6323166	
			35		6323170	
			40		6323174	
25	153,0	153,22	25	0,350	6325163	10
			30		6325167	
			35		6325171	
			40		6325175	



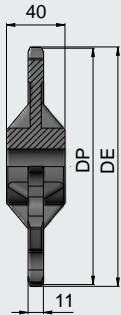
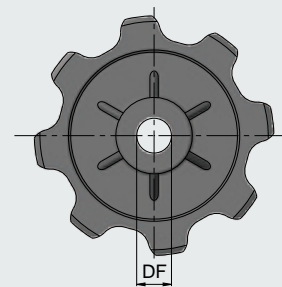
C Rueda de tracción-reenvío / Drive - idler sprocket / Roue de traction - renvoi / Umlenkrad.
M Poliamida reforzada. Polyamide reinforced. Polyamide renforcé. Aus Gußpolyamid.
 600 - 600 TAB

Z	DE	DP	DF	Kg	COD.	
9	257	241,21	30	1,1	6209277	2
10	281	266,98	30	1,3	6210278	



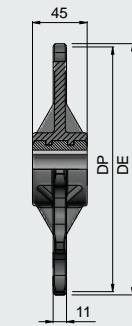
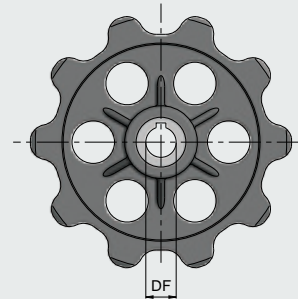
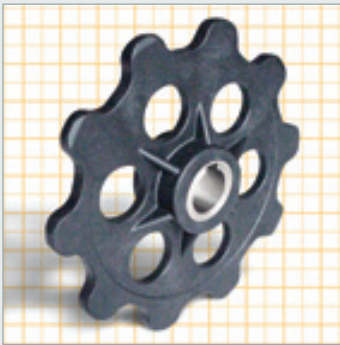
- C** Rueda de tracción / Drive sprocket / Roue de traction / Antriebsrad.
- M** Poliamida reforzada + Acero Inox. Reinforced polyamide + stainless steel. Polyamide renforcé + Acier Inox. Aus verstärktem Polyamid mit Nabe aus Edelstahl 1.4301
- 610 - 610 TAB

Z	DE	DP	DF	Kg	COD.	
8	172	166	25	0,51	6308601	15
			30	0,56	6308603	



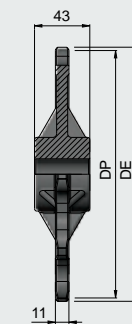
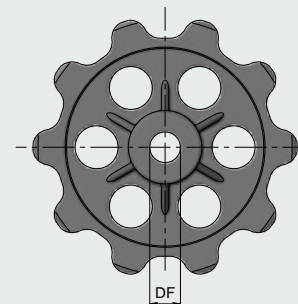
- C** Rueda de reenvío / Idler wheel / Roue de renvoi / Umlenkrad.
- M** Poliamida reforzada. Reinforced polyamide. Polyamide renforcé. Aus verstärktem Polyamid.
- 610 - 610 TAB

Z	DE	DP	DF	Kg	COD.	
8	172	166	25	0,33	6608791	15
			30	0,33	6608794	



- C** Rueda de tracción / Drive sprocket / Roue de traction / Antriebsrad.
- M** Poliamida reforzada + Acero Inox. Reinforced polyamide + stainless steel. Polyamide renforcé + Acier Inox. Aus verstärktem Polyamid mit Nabe aus Edelstahl 1.4301
- 610 - 610 TAB

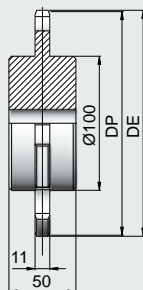
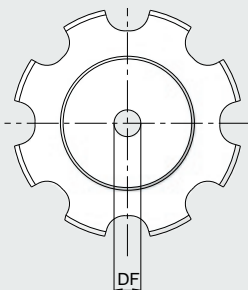
Z	DE	DP	DF	Kg	COD.	
10	215	205,45	25	0,67	6310609	5
			30	0,60	6310612	



- C** Rueda de reenvío / Idler wheel / Roue de renvoi / Umlenkrad.
- M** Poliamida reforzada. Reinforced polyamide. Polyamide renforcé. Aus verstärktem Polyamid.
- 610 - 610 TAB

Z	DE	DP	DF	Kg	COD.	
10	215	205,45	25	0,43	6610797	5
			30	0,39	6610799	

C

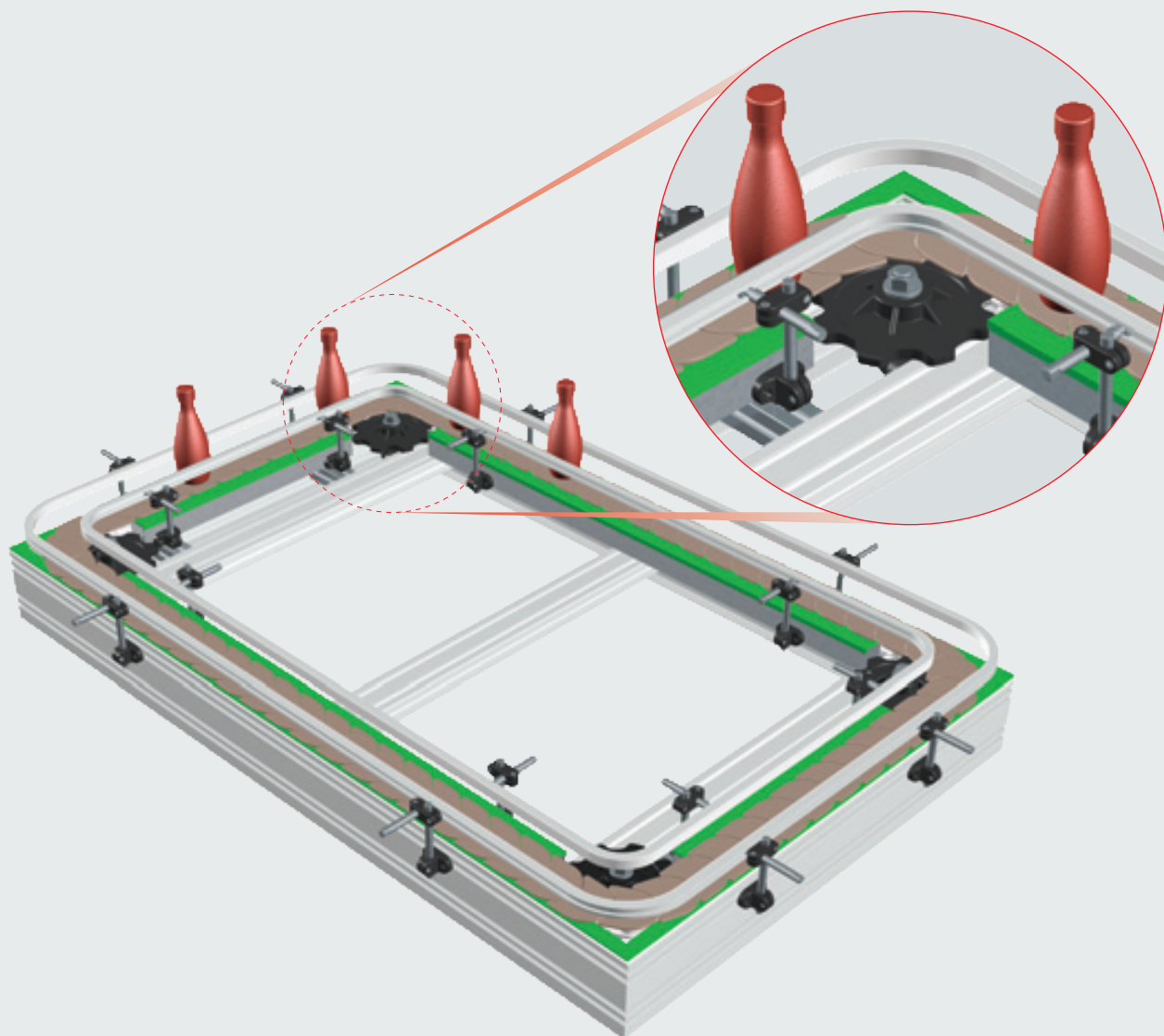


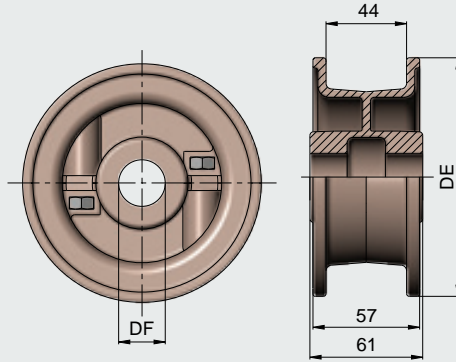
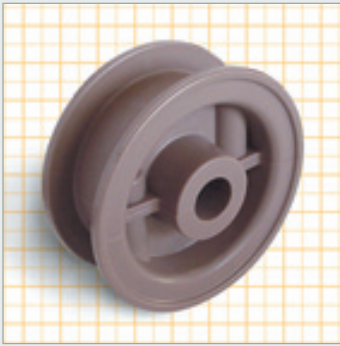
C Rueda de tracción-reenvío / Drive - idler sprocket / Roue de traction - renvoi / Umlenkrad.

M Poliamida reforzada. Polyamide reinforced. Polyamide renforcé. Aus Gußpolyamid.

610 - 610 TAB

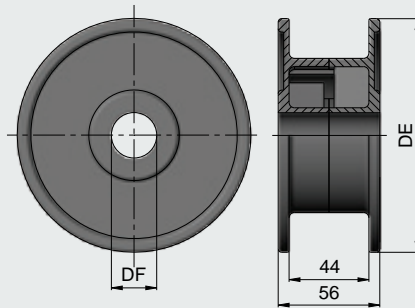
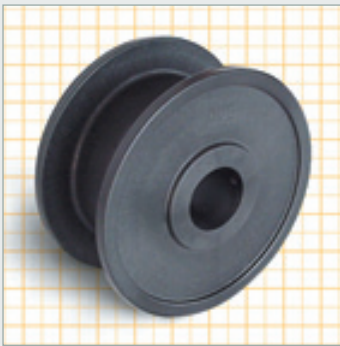
Z	DE	DP	DF	Kg	COD.	
8	172	165,93	20	0,60	6208051	4
10	215	205,49	20	0,80	6210052	
12	256	245,35	20	1,10	6212053	





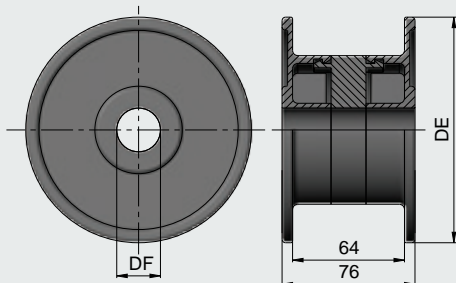
C Carrete de reenvío partida / Split idler wheel / Roue de renvoi divisée / Geteilte Umlenkrolle.
M Acetal baja fricción, tornillería A⁴ Inox. Low friction acetal, fasteners in SS. LF acetal, visserie acier inoxydable. LF azetal, Verschraubung aus Edelstahl 1.4301
 815 - 815 G - 820 - 831 - 879 - 880 - 881 - 881M - 887 900 - 7253 - 9123 - 9253 - 9255

Z	DE	DP	DF	Kg	COD.	
21	129,0	-	25	0,3	6621092	8
			30		6621093	
			35		6621094	
			40		6621095	
23	141,0	-	25	0,4	6623099	6
			30		6623100	
			35		6623101	
			40		6623117	
25	153,0	-	25	0,4	6625102	6
			30		6625103	
			35		6625104	
			40		6625105	



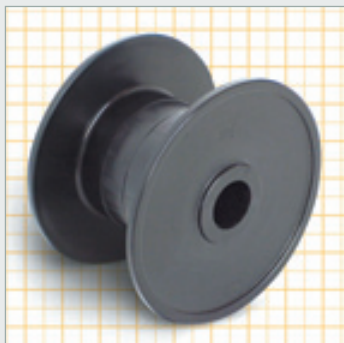
C Carrete de reenvío / Idler wheel / Roue de renvoi / Umlenkrolle.
M Acetal. Acetal. Acétal. Azetal
 815 - 815 G - 820 - 831 - 879 - 880 - 881 - 881M - 887 900 - 7253 - 9123 - 9253 - 9255

Z	DE	DP	DF	Kg	COD.	
19	117,0	-	25	0,2	6619007	8
			30		6619013	
			35		6619019	
			40		6619025	
21	129,0	-	25	0,2	6621008	8
			30		6621014	
			35		6621020	
			40		6621026	
23	141,0	-	25	0,3	6623009	6
			30		6623015	
			35		6623021	
			40		6623027	
25	153,0	-	25	0,3	6625010	6
			30		6625016	
			35		6625022	
			40		6625028	



C Carrete de reenvío / Idler wheel / Roue de renvoi / Umlenkrolle.
M Acetal. Acetal. Acétal. Azetal
 879 TAB - 880 TAB - 880 R - 881 TAB - 889TAB - 887TAB

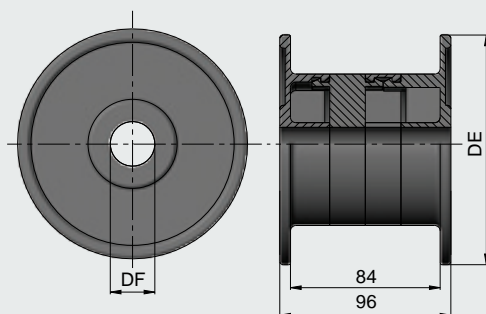
Z	DE	DP	DF	Kg	COD.	
19	117,0	-	25	0,3	6619107	8
			30		6619112	
			35		6619119	
			40		6619125	
21	129,0	-	25	0,3	6621108	6
			30		6621114	
			35		6621120	
			40		6621126	
23	141,0	-	25	0,3	6623109	6
			30		6623115	
			35		6623121	
			40		6623127	
25	153,0	-	25	0,4	6625110	4
			30		6625116	
			35		6625122	
			40		6625128	



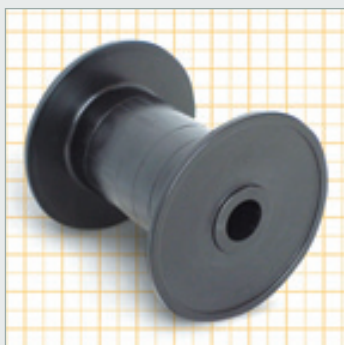
C Carrete de reenvío / Idler wheel /
Roue de renvoi / Umlenkrolle.

M Acetal. Acetal. Acétal. Azetal.

805 - 805 G



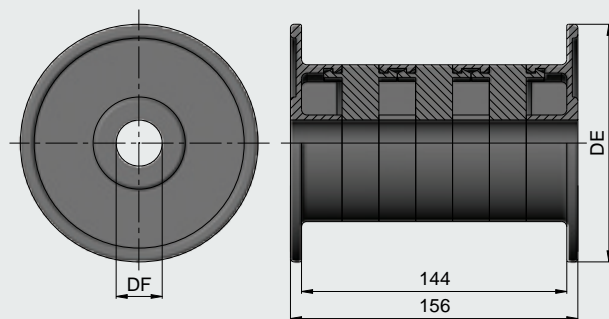
Z	DE	DP	DF	Kg	COD.	
19	117,0	-	25	0,3	6619686	4
			30		6619687	
			35		6619688	
			40		6619689	
21	129,0	-	25	0,3	6621691	4
			30		6621692	
			35		6621693	
			40		6621694	
23	141,0	-	25	0,3	6623697	4
			30		6623698	
			35		6623699	
			40		6623700	
25	153,0	-	25	0,4	6625703	4
			30		6625704	
			35		6525705	
			40		6625706	



C Carrete de reenvío / Idler wheel /
Roue de renvoi / Umlenkrolle.

M Acetal. Acetal. Acétal. Azetal.

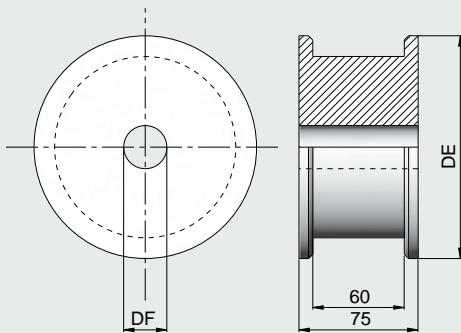
821 - 821 BPM - 821 GF



Z	DE	DP	DF	Kg	COD.	
19	117,0	-	25	0,3	6619710	2
			30		6619711	
			35		6619712	
			40		6619713	
21	129,0	-	25	0,3	6621716	2
			30		6621717	
			35		6621718	
			40		6621719	
23	141,0	-	25	0,3	6623722	2
			30		6623723	
			35		6623724	
			40		6623725	
25	153,0	-	25	0,4	6625730	2
			30		6625731	
			35		6625732	
			40		6625734	



NUEVO PRODUCTO
NEW PRODUCT
NOUVEAU PRODUIT
NEUES PRODUKT



C Carrete de reenvío / Idler wheel / Roue de renvoi / Umlenkrolle.

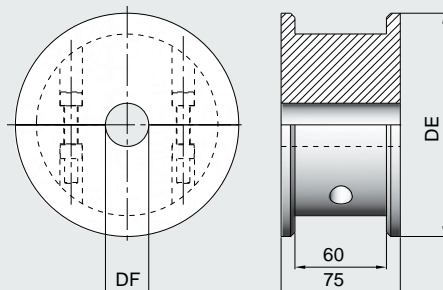
M Poliamida reforzada. Reinforced polyamide. Polyamide renforcé. Aus Gußpolyamid.

8157 - 8857M

Z	DE	DP	DF	Kg	COD.	
17	104,0	-	25*	0,20	6517251	
			25		6517265	
			30		6517266	
			35		6517267	
			40		6517268	
19	117,0	-	25*	0,30	6519252	
			25		6519270	
			30		6519271	
			35		6519272	
			40		6519273	
21	129,0	-	25*	0,40	6521253	10
			25		6521275	
			30		6521276	
			35		6521277	
			40		6521278	
23	141,0	-	25*	0,50	6523254	
			25		6523280	
			30		6523281	
			35		6523282	
			40		6523283	
25	153,0	-	25*	0,60	6525255	
			25		6525286	
			30		6525287	
			35		6525288	
			40		6525289	



NUEVO PRODUCTO
NEW PRODUCT
NOUVEAU PRODUIT
NEUES PRODUKT

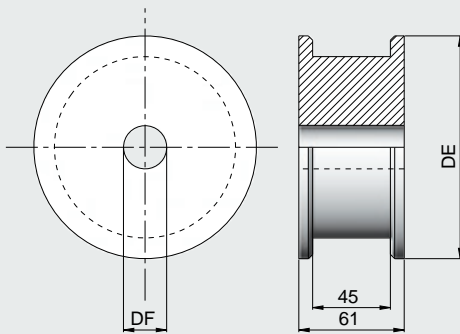


C Carrete de reenvío partida / Split idler wheel / Roue de renvoi divisée / Geteilte Umlenkrolle.

M Poliamida reforzada + Tornillería inoxidable. Polyamide reinforced + Screws in stainless steel. Polyamide renforcé + Visserie inoxydable. Aus Gußpolyamid, Verschraubung aus Edelstahl.

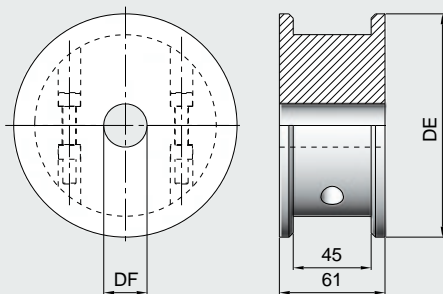
8157 - 8857M

Z	DE	DP	DF	Kg	COD.	
17	104,0	-	25*	0,20	6517256	
			25		6517330	
			30		6517331	
			35		6517332	
			40		6517333	
19	117,0	-	25*	0,30	6519257	
			25		6519336	
			30		6519337	
			35		6519338	
			40		6519339	
21	129,0	-	25*	0,40	6521258	10
			25		6521341	
			30		6521342	
			35		6521343	
			40		6521344	
23	141,0	-	25*	0,50	6523259	
			25		6523347	
			30		6523348	
			35		6523349	
			40		6523350	
25	153,0	-	25*	0,60	6525260	
			25		6525352	
			30		6525353	
			35		6525354	
			40		6525355	



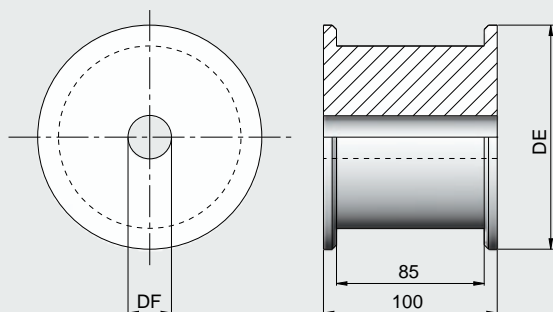
- C** Carrete de reenvío / Idler wheel / Roue de renvoi / Umlenkrolle.
- M** Poliamida reforzada. Reinforced polyamide. Polyamide renforcé. Aus Gußpolyamid.
- 815 - 815 G - 820 - 831 - 879 - 880 - 881 - 881M - 887
900 - 7253 - 9123 - 9253 - 9255

Z	DE	DP	DF	Kg	COD.	
17	104,0	-	20	0,4	6517501	10
			25		6517502	
			30		6517504	
			35		6517505	
			40		6517506	
19	117,0	-	20	0,5	6519523	6
			25		6519524	
			30		6519525	
			35		6519528	
			40		6519530	
21	129,0	-	20	0,6	6521541	6
			25		6521542	
			30		6521544	
			35		6521547	
			40		6521549	
23	141,0	-	20	0,7	6523557	6
			25		6523558	
			30		6523560	
			35		6523561	
			40		6523564	
25	153,0	-	20	0,9	6525572	6
			25		6525573	
			30		6525575	
			35		6525577	
			40		6525579	



- C** Carrete de reenvío partida / Split idler wheel / Roue de renvoi divisée / Geteilte Umlenkrolle.
- M** Poliamida reforzada + Tornillería inoxidable. Polyamide reinforced + Screws in stainless steel. Polyamide renforcé + Visserie inoxydable. Aus Gußpolyamid, Verschraubung aus Edelstahl.
- 815 - 815 G - 820 - 831 - 879 - 880 - 881 - 881M - 887
900 - 7253 - 9123 - 9253 - 9255

Z	DE	DP	DF	Kg	COD.	
19	117,0	-	25	0,5	6519616	6
			30		6519617	
			35		6519618	
			40		6519620	
			25		6521628	
21	129,0	-	25	0,6	6521629	6
			30		6521630	
			35		6521632	
			40		6523640	
			25		6523641	
23	141,0	-	25	0,7	6523642	6
			30		6523643	
			35		6523644	
			40		6525650	
			25		6525652	
25	153,0	-	25	0,9	6525653	6
			30		6525655	
			35		6525655	
			40		6525655	
			40		6525655	

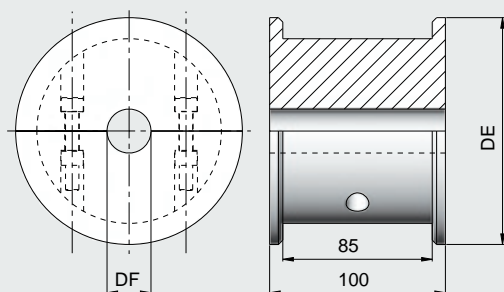


C Carrete de reenvío / Idler wheel / Roue de renvoi / Umlenkrolle.

M Poliamida reforzada. Reinforced polyamide. Polyamide renforcé. Aus Gußpolyamid.

805 - 805 G

Z	DE	DP	DF	Kg	COD.	
17	104,0	-	20	0,6	6517148	4
			25		6517153	
			30		6517158	
			35		6517163	
			40		6517168	
19	117,0	-	20	0,8	6519149	4
			25		6519154	
			30		6519159	
			35		6519164	
			40		6519169	
21	129,0	-	20	1,0	6521150	4
			25		6521155	
			30		6521160	
			35		6521165	
			40		6521170	
23	141,0	-	20	1,2	6523151	4
			25		6523156	
			30		6523161	
			35		6523166	
			40		6523171	
25	153,0	-	20	1,4	6525152	4
			25		6525157	
			30		6525162	
			35		6525167	
			40		6525172	

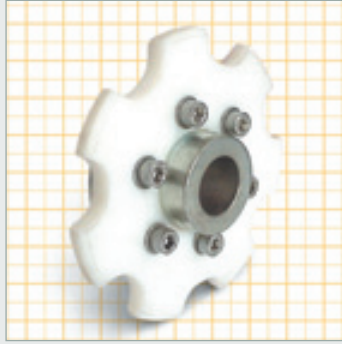


C Carrete de reenvío partida / Split idler wheel / Roue de renvoi divisée / Geteilte Umlenkrolle.

M Poliamida reforzada + Tornillería inoxidable. Polyamide reinforced + Screws in stainless steel. Polyamide renforcé + Visserie inoxydable. Aus Gußpolyamid, Verschraubung aus Edelstahl.

805 - 805 G

Z	DE	DP	DF	Kg	COD.	
19	117,0	-	25	0,8	6519230	4
			30		6519235	
			35		6519240	
			40		6519245	
			25		6521231	
21	129,0	-	30	1,0	6521236	4
			35		6521241	
			40		6521246	
			25		6523232	
			30		6523237	
23	141,0	-	35	1,2	6523242	4
			40		6523247	
			25		6525233	
			30		6525238	
			35		6525243	
25	153,0	-	40	1,4	6525248	4



NOTAS / NOTES **NOTES / ANMERKUNGEN**

Blank lined area for notes.

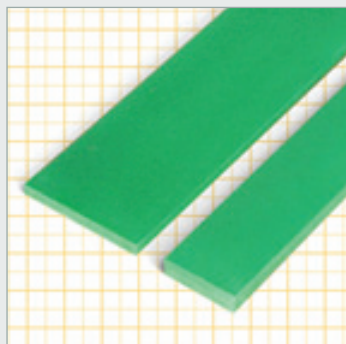


Lined writing area with horizontal red lines.

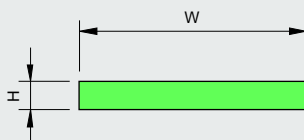
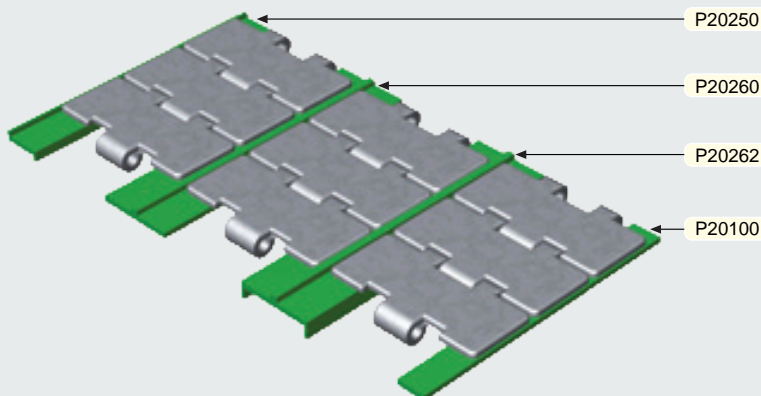
C

DESLIDUR

CARRIL LLANO / FLAT GUIDE / FER PLAT / FLACHPROFIL



- M**
- Polietileno UHMW 1000 "DESLIDUR".
 - UHMW 1000 "DESLIDUR" Polyethylene.
 - Polyéthylène UHMW 1000 "DESLIDUR".
 - Profil aus Polyäthylen UHMW 1000 "DESLIDUR".



Longitud standard / Standard Length / Longueur standard / Lieferlänge 50 m

COLOR / COLOUR COULEUR / FARBE	H	W									
		15	20	25	30	35	40	45	50	60	70
Verde/Green/Vert/Grün	3	P20100	P20101	P20102	P20103	P20104	P20105	P20106	P20107	P20109	P20111
Negro/Black/Noir/Schwarz	3	P30100	P30101	P30102	P30103	P30104	P30105	P30106	P30107	-	-
Kg/m	-	0,05	0,06	0,07	0,09	0,10	0,11	0,13	0,14	0,17	0,20
Verde/Green/Vert/Grün	5	P20120	P20121	P20122	P20123	P20124	P20125	P20126	P20127	-	-
Negro/Black/Noir/Schwarz	5	P30120	P30121	P30122	P30123	P30124	P30125	P30126	P30127	-	-
Kg/m	-	0,07	0,10	0,12	0,14	0,17	0,19	0,21	0,24	-	-

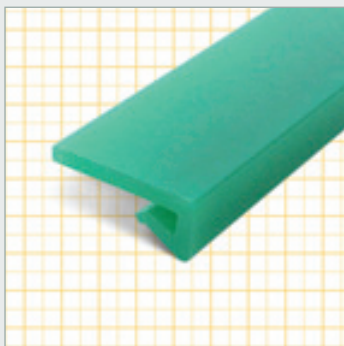


Longitud standard / Standard Length / Longueur standard / Lieferlänge 50 m

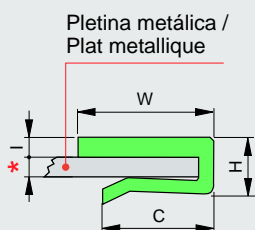
COLOR / COLOUR COULEUR / FARBE	H	W								
		10	15	20	25	30	35	40	45	50
Blanco/White/Blanc/Weiß	2	P10098	P10090	P10091	P10092	P10093	P10094	P10095	P10096	P10097
Kg/m	-	0,02	0,03	0,04	0,05	0,06	0,07	0,08	0,09	0,10
Blanco/White/Blanc/Weiß	4	-	-	P10151	P10152	P10153	P10154	P10155	P10156	P10157
Kg/m	-	-	-	0,08	0,10	0,12	0,14	0,16	0,18	0,19

D

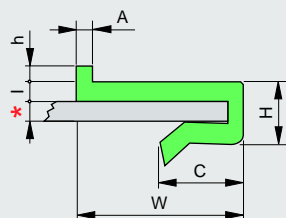
PERFIL SECCION "P" / PROFILE SECTION "P" / PROFIL SECTION "P" / PROFIL - TEIL "P"



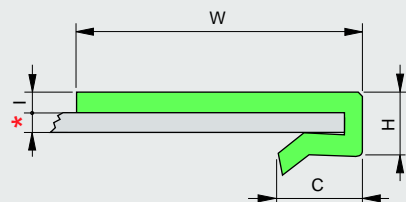
- M** Polietileno UHMW 1000 "DESLIDUR".
 UHMW 1000 "DESLIDUR" Polyethylene.
 Polyéthylène UHMW 1000 "DESLIDUR".
 Profil aus Polyäthylen UHMW 1000 "DESLIDUR"



COLOR / COLOUR COULEUR / FARBE	W	H	C	I	A	h	L	Kg/m	COD.
Verde/Green/Vert/Grün	20	10,5	14,5	3	-	-	50	0,11	P20269
Verde/Green/Vert/Grün	25	10,5	20	3	-	-	50	0,12	P20274
Negro/Black/Noir/Schwarz									P30274



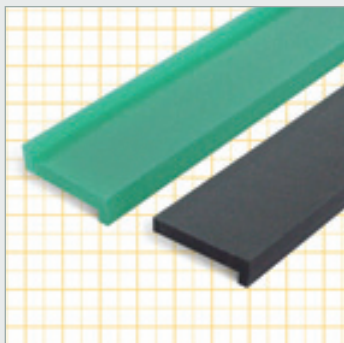
COLOR / COLOUR COULEUR / FARBE	W	H	C	I	A	h	L	Kg/m	COD.
Verde/Green/Vert/Grün	20	9	13	3	2,5	2,5	50	0,12	P20275
Negro/Black/Noir/Schwarz									P30275
Verde/Green/Vert/Grün	25	9	13	3	2,5	2,5	50	0,12	P20271
Negro/Black/Noir/Schwarz									P30271



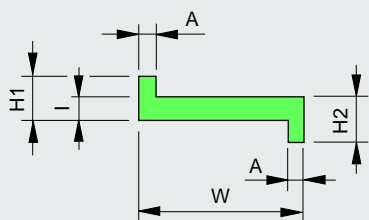
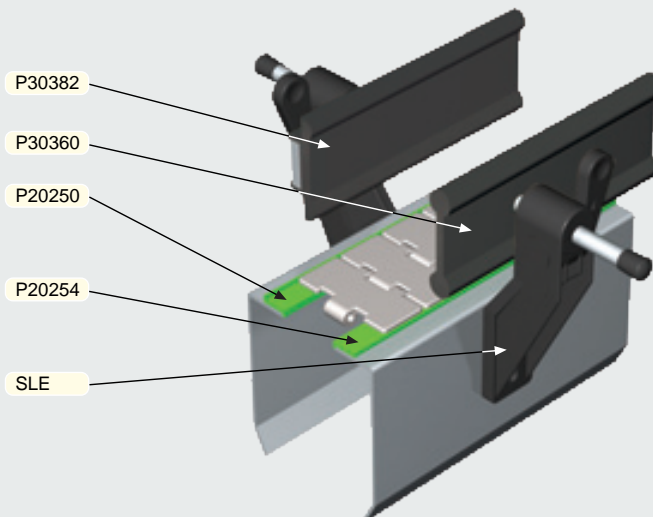
COLOR / COLOUR COULEUR / FARBE	W	H	C	I	A	h	L	Kg/m	COD.
Verde/Green/Vert/Grün	40	10,3	20	3	-	-	50	0,16	P20282
Negro/Black/Noir/Schwarz									P30282

* Perfil para utilizar con chapas de 1,5 a 3 mm. / Wearstrip to be used with plate width of 1,5 to 3 mm.
 Profil à utiliser sur tôle de 1,5 à 3 mm. / Klemmprofile passend für Materialstärke von 1,5 bis 3 mm.

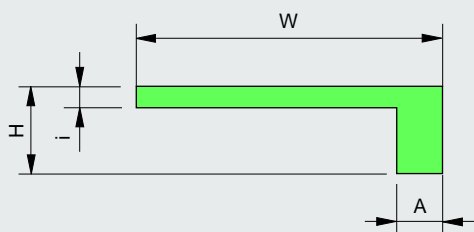
D



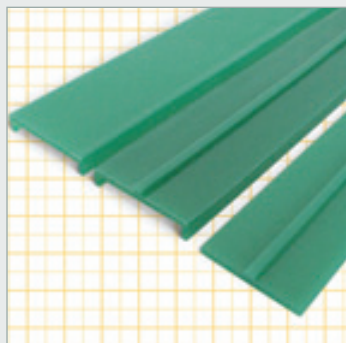
M Polietileno UHMW 1000 "DESLIDUR".
 UHMW 1000 "DESLIDUR" Polyethylene.
 Polyéthylène UHMW 1000 "DESLIDUR".
 Profil aus Polyäthylen UHMW 1000 "DESLIDUR"



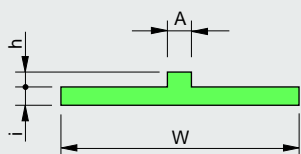
COLOR / COLOUR COULEUR / FARBE	C	W	H1	H2	i	A	L	Kg/m	COD.
Verde/Green/Vert/Grün	Z	20	5,5	5,5	3	2	50	0,07	P20250
Negro/Black/Noir/Schwarz									P30250
Verde/Green/Vert/Grün	Z/23	23	9	7	4	3	50	0,12	P20253
Negro/Black/Noir/Schwarz									P30253



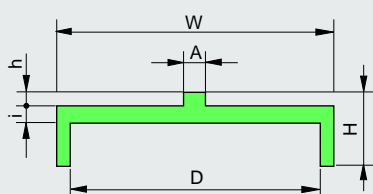
COLOR / COLOUR COULEUR / FARBE	C	W	H	i	A	L	Kg/m	COD.
Verde/Green/Vert/Grün	L	20	5,5	3	2	50	0,06	P20254
Negro/Black/Noir/Schwarz								P30254
Verde/Green/Vert/Grün	L/53	53	6	3	2	50	0,16	P20255
Negro/Black/Noir/Schwarz								P30255
Verde/Green/Vert/Grün	L/23	23	7	4	4,8	50	0,11	P20256
Verde/Green/Vert/Grün	L/41	41	12	3	6	2	0,17	P20257L2
Negro/Black/Noir/Schwarz	L/20	20	5,5	3	2,5	50	0,07	P30258



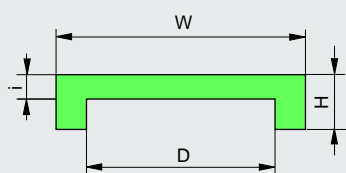
- M** Polietileno UHMW 1000 "DESLIDUR".
 UHMW 1000 "DESLIDUR" Polyethylene.
 Polyéthylène UHMW 1000 "DESLIDUR".
 Profil aus Polyäthylen UHMW 1000 "DESLIDUR"



COLOR / COLOUR COULEUR / FARBE	C	W	h	i	D	H	A	L	Kg/m	COD.
Verde/Green/Vert/Grün	T	40	2,5	3	-	-	4	50	0,11	P20260
Negro/Black/Noir/Schwarz										P30260







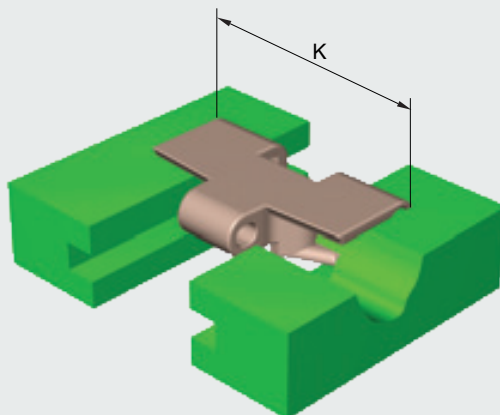
COLOR / COLOUR COULEUR / FARBE	C	W	h	i	D	H	A	L	Kg/m	COD.
Verde/Green/Vert/Grün	DZ/36	40	3	3	36	9	4	50	0,13	P20262
Negro/Black/Noir/Schwarz										P30262
Verde/Green/Vert/Grün	DZ/32	44	2,5	3	32	8	4	50	0,16	P20264
Negro/Black/Noir/Schwarz										P30264
Verde/Green/Vert/Grün	DZ/41	46	2,5	3	41	11,5	4	50	0,17	P20266
Negro/Black/Noir/Schwarz										P30266
Verde/Green/Vert/Grün	DZ/31	43	3	4	31	15	3	50	0,21	P20268
Negro/Black/Noir/Schwarz										P30268



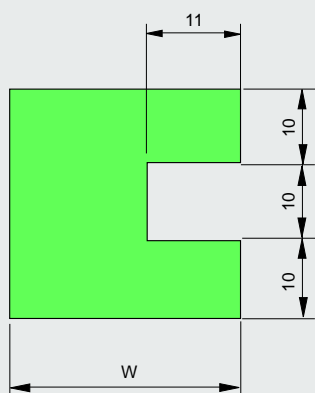
COLOR / COLOUR COULEUR / FARBE	C	W	h	i	D	H	A	L	Kg/m	COD.
Verde/Green/Vert/Grün	DL/21	31	-	4	21	9	-	50	0,17	P20263
Negro/Black/Noir/Schwarz										P30263
Verde/Green/Vert/Grün	DL/31	41	-	4	31	9	-	50	0,21	P20265
Negro/Black/Noir/Schwarz										P30265
Verde/Green/Vert/Grün	DL/31	41	-	3	31	7	-	50	0,17	P20267
Negro/Black/Noir/Schwarz										P30267
Verde/Green/Vert/Grün	DL/37	42	-	4	36,5	7	-	50	0,17	P20272
Verde/Green/Vert/Grün	DL/24	34	-	7	24	15	-	2	0,32	P20296L2
Verde/Green/Vert/Grün	DL/41	45	-	3	40,5	9	-	50	0,16	P20297
Verde/Green/Vert/Grün	DL/29	39	-	5	29	18	-	2	0,33	P20298L2

PERFIL SECCION "U" / PROFILE SECTION "U" / PROFIL SECTION "U" / PROFIL-TEIL "U"

- M**  Polietileno UHMW 1000 "DESLIDUR".
 UHMW 1000 "DESLIDUR" Polyethylene.
 Polyéthylène UHMW 1000 "DESLIDUR".
 Profil aus Polyäthylen UHMW 1000 "DESLIDUR"



Cadenas / Chains / Chaines / Ketten: 880 TAB 881 TAB

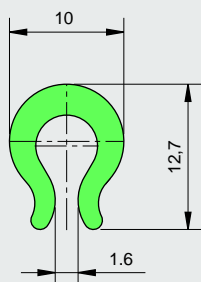


W = 30
K = 82,5

COLOR / COLOUR COULEUR / FARBE	L	Kg/m	COD.
Verde/Green/Vert/Grün	2	0,70	P20290

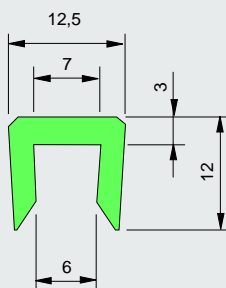
W = 40
K = 114,3

COLOR / COLOUR COULEUR / FARBE	L	Kg/m	COD.
Verde/Green/Vert/Grün	2	0,98	P20291



COLOR / COLOUR COULEUR / FARBE	L	Kg/m	COD.
Verde/Green/Vert/Grün	50	0,06	P20285
Negro/Black/Noir/Schwarz	50	0,06	P30285

Perfil para utilizar con chapas de 2 a 3 mm. / Wearstrip to be used with plate width of 2 to 3 mm.
 Profil à utiliser sur tôle de 2 à 3 mm. / Klemmpprofile passend für Materialstärke von 2 bis 3 mm.

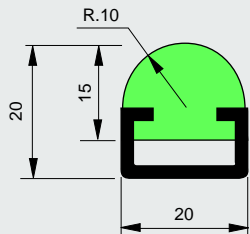


COLOR / COLOUR COULEUR / FARBE	L	Kg/m	COD.
Blanco/White/Blanc/Weiß	50	0,08	P10286
Verde/Green/Vert/Grün	50	0,08	P20286

Perfil para utilizar con chapas de 5 a 6 mm. / Wearstrip to be used with plate width of 5 to 6 mm.
 Profil à utiliser sur tôle de 5 à 6 mm. / Klemmpprofile passend für Materialstärke von 5 bis 6 mm.

D

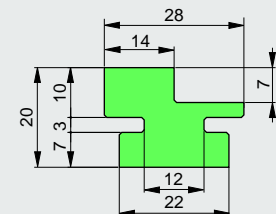
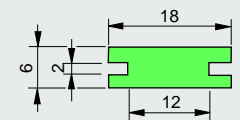
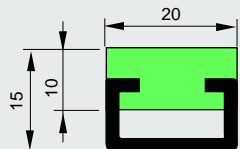
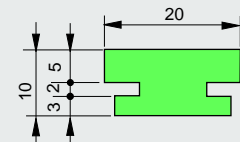
GUIAS SECCION "MC" / SECTION "MC" GUIDE
GUIDE "MC" / PILZPROFIL MIT C-STAHL



M Polietileno, UHMW 1000 "DESLIDUR", guía s / tabla.
 Polyethylene UHMW 1000 "DESLIDUR" guide as in the table.
 Polyéthylène UHMW 1000 "DESLIDUR", profile suivant table.
 Profil aus Polyäthylen UHMW 1000 "DESLIDUR", C-Stahl siehe Tabelle.

COLOR / COLOUR COULEUR / FARBE	GUIA / GUIDE PROFIL / STAHL	L	Kg/m	COD
Verde/Green/Vert/Grün	-	50	0,21	P20350
Negro/Black/Noir/Schwarz	-	50	0,21	P30350
Verde/Green/Vert/Grün	C 2010 SS	2	0,70	PSS20350L2
		3		PSS20350L3
Verde/Green/Vert/Grün	C 2010	2	0,70	PZN20350L2
		3		PZN20350L3
Negro/Black/Noir/Schwarz	C 2010 SS	2	0,70	PSS30350L2
		3		PSS30350L3
Negro/Black/Noir/Schwarz	C 2010	2	0,70	PZN30350L2
		3		PZN30350L3

GUIAS SECCION "H" / SECTION "H" GUIDE
GUIDE "H" / PILZPROFIL MIT C-STAHL



M Polietileno, UHMW 1000 "DESLIDUR", guía s / tabla.
 Polyethylene UHMW 1000 "DESLIDUR" guide as in the table.
 Polyéthylène UHMW 1000 "DESLIDUR", profile suivant table.
 Profil aus Polyäthylen UHMW 1000 "DESLIDUR", C-Stahl siehe Tabelle.

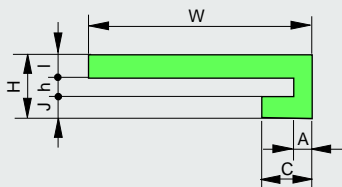
COLOR / COLOUR COULEUR / FARBE	GUIA / GUIDE PROFIL / STAHL	L	Kg/m	COD
Verde/Green/Vert/Grün	-	50	0,16	P20352

COLOR / COLOUR COULEUR / FARBE	GUIA / GUIDE PROFIL / STAHL	L	Kg/m	COD
Verde/Green/Vert/Grün	C 2010 SS	2	0,65	PSS20352L2
		3		PSS20352L3
Verde/Green/Vert/Grün	C 2010	2	0,65	PZN20352L2
		3		PZN20352L3

COLOR / COLOUR COULEUR / FARBE	GUIA / GUIDE PROFIL / STAHL	L	Kg/m	COD
Verde/Green/Vert/Grün	-	50	0,08	P20354

COLOR / COLOUR COULEUR / FARBE	GUIA / GUIDE PROFIL / STAHL	L	Kg/m	COD
Verde/Green/Vert/Grün	-	2	0,46	P20356

PERFIL SECCION "L" / SECTION "L" PROFILE
PROFIL "L" / PROFIL "L"



M Polietileno UHMW 1000 "DESLIDUR". / UHMW 1000 "DESLIDUR" Polyethylene.
 Polyéthylène UHMW 1000 "DESLIDUR". / Profil aus Polyäthylen UHMW 1000 "DESLIDUR"

COLOR / COLOUR COULEUR / FARBE	W	H	I	J	C	h	A	L	Kg/m	COD
Verde/Green/Vert/Grün	23	10	4	3	11	3	3	2	0,11	P20312
Verde/Green/Vert/Grün	35	10	3,6	3,6	8	2,8	3	2	0,14	P20311
Verde/Green/Vert/Grün	40	8	3	2	25	3	10	2	0,19	P20310
Verde/Green/Vert/Grün	45	14	3	2,5	10	8,5	4	2	0,19	P20373

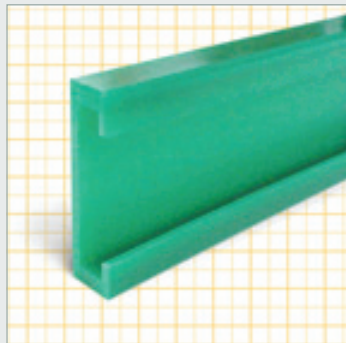
PERFIL SECCION "U" / SECTION "U" PROFILE
PROFIL SECTION "U" / PROFIL-TEIL "U"



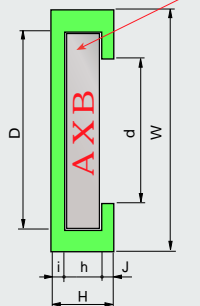
M Polietileno UHMW 1000 "DESLIDUR". / UHMW 1000 "DESLIDUR" Polyethylene.
 Polyéthylène UHMW 1000 "DESLIDUR". / Profil aus Polyäthylen UHMW 1000 "DESLIDUR"

COLOR / COLOUR COULEUR / FARBE	W	H	I	J	h	A	L	Kg/m	COD
Verde/Green/Vert/Grün	30	10	3,5	3,5	3	15	2	0,25	P20320
	50	20	5,5	5,5	9	21	2	0,74	P20322

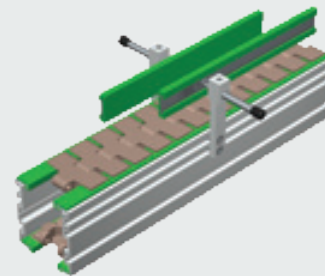
PERFIL SECCIÓN "C" / PROFILE SECTION "C" / PROFIL SECTION "C" / PROFIL-TEIL "C"



Pletina metálica / Metallic plate
Plat métallique / Metall-platine

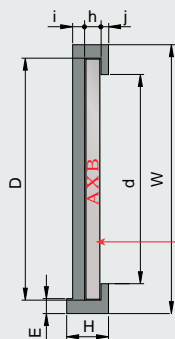


- M** Polietileno UHMW 1000 "DESLIDUR".
 UHMW 1000 "DESLIDUR" Polyethylene.
 Polyéthylène UHMW 1000 "DESLIDUR".
 Profil aus Polyäthylen UHMW 1000 "DESLIDUR"



COLOR / COLOUR COULEUR / FARBE	Para pletina / For steel Pour plat / Für Stahl			W	H	i	h	J	D	d	L	Kg/m	COD
	A	X	B										
Verde/Green/Vert/Grün	20	3	3	30	12	3	3,5	5,5	21	12	2	0,22	P20364L2
Verde/Green/Vert/Grün	20	5	5	30	12	3,5	5,2	3,3	20,5	12	2	0,17	P20365
Verde/Green/Vert/Grün	30	3	3	40	10	3,5	3,5	3	30,5	23	50	0,19	P20370
Verde/Green/Vert/Grün	40	4	4	50	10,5	3	4,5	3	41	29	50	0,24	P20367
Verde/Green/Vert/Grün	40	6	6	50	12	3	6,5	2,5	40,3	28,5	2	0,24	P20369L2
Verde/Green/Vert/Grün	40	8	8	50	14	3	8,3	2,7	41	30	50	0,26	P20371
Verde/Green/Vert/Grün	40	10	10	50	16	3	10,3	2,7	41	30	2	0,27	P20372
Verde/Green/Vert/Grün	50	6	6	60	12	3	6,5	2,5	51	35	50	0,28	P20374
Negro/Black/Noir/Schwarz	80	5	5	90	12	4	5,5	2,5	81	70	2	0,42	P30392L2

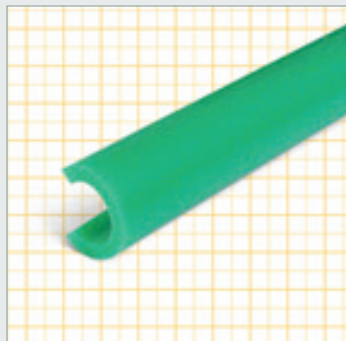
Otras dimensiones bajo pedido / Another sizes on demand / Autres longueurs sur demande / weitere Konturen auf Anfrage



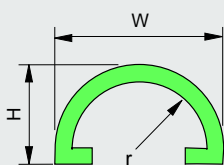
Pletina metálica / Metallic plate
Plat métallique / Metall-platine

- M** Polietileno UHMW 1000 "DESLIDUR".
 UHMW 1000 "DESLIDUR" Polyethylene.
 Polyéthylène UHMW 1000 "DESLIDUR".
 Profil aus Polyäthylen UHMW 1000 "DESLIDUR"

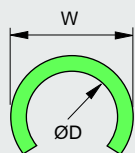
COLOR / COLOUR COULEUR / FARBE	Para pletina / For steel Pour plat / Für Stahl			W	H	i	h	J	D	d	E	L	Kg/m	COD
	A	X	B											
Negro/Black/Noir/Schwarz	80	5	5	90	14	4	5,5	2,5	81	70	5	2	0,47	P30390L2



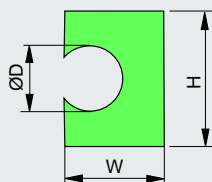
M Polietileno UHMW 1000 "DESLIDUR".
 UHMW 1000 "DESLIDUR" Polyethylene.
 Polyéthylène UHMW 1000 "DESLIDUR".
 Profil aus Polyäthylen UHMW 1000 "DESLIDUR"



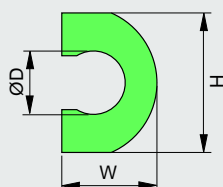
COLOR / COLOUR COULEUR / FARBE	C	W	H	r	L	Kg/m	COD.
Blanco/White/Blanc/Weiß	Clip MC	25	15	10	50	0,10	P10386
Verde/Green/Vert/Grün	10 mm - 3/8"					0,10	P20386
Blanco/White/Blanc/Weiß	Clip MC	20	13	8	50	0,09	P10388
Verde/Green/Vert/Grün	8 mm - 5/16"					0,09	P20388



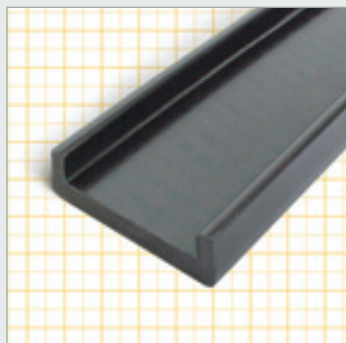
COLOR / COLOUR COULEUR / FARBE	C	W	ØD	L	Kg/m	COD.
Blanco/White/Blanc/Weiß	Clip Ø 12 - 1/2"	16,5	12	50	0,08	P10400
Verde/Green/Vert/Grün				50	0,08	P20400
Blanco/White/Blanc/Weiß	Clip Ø 10 - 3/8"	13,8	10	50	0,07	P10402
Verde/Green/Vert/Grün				50	0,07	P20402
Blanco/White/Blanc/Weiß	Clip Ø 8 - 5/16"	13	8	50	0,06	P10404
Verde/Green/Vert/Grün				50	0,06	P20404



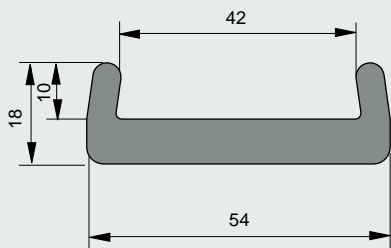
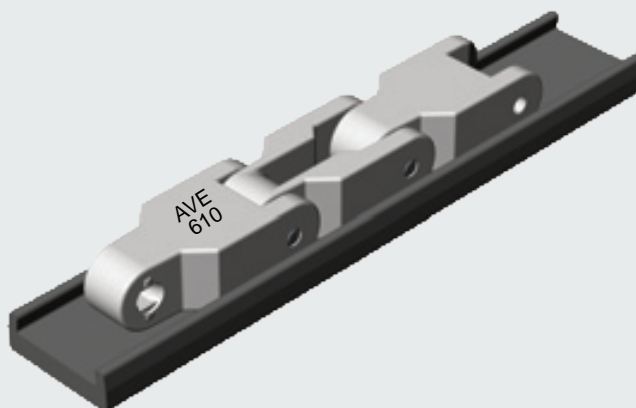
COLOR / COLOUR COULEUR / FARBE	ØD	H	W	L	Kg/m	COD.
Verde/Green/Vert/Grün	8	20	14	2	0,21	R08
Verde/Green/Vert/Grün	10	22	16	2	0,25	R10
Verde/Green/Vert/Grün	12	24	18	2	0,29	R12



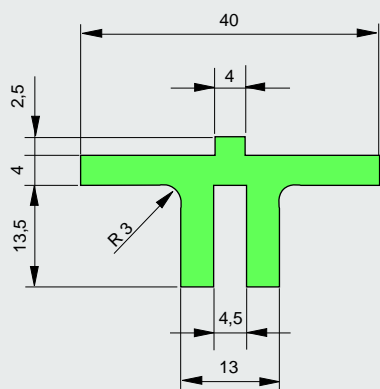
COLOR / COLOUR COULEUR / FARBE	ØD	H	W	L	Kg/m	COD.
Verde/Green/Vert/Grün	6	20	14	2	0,21	MCH06
Verde/Green/Vert/Grün	8	20	14	2	0,19	MCH08
Verde/Green/Vert/Grün	10	22	16	2	0,22	MCH10
Verde/Green/Vert/Grün	12	24	18	2	0,25	MCH12



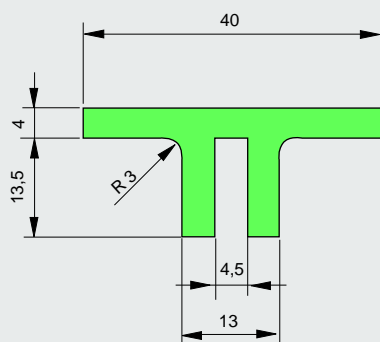
- M** Polietileno UHMW 1000 "DESLIDUR".
 UHMW 1000 "DESLIDUR" Polyethylene.
 Polyéthylène UHMW 1000 "DESLIDUR".
 Profil aus Polyäthylen UHMW 1000 "DESLIDUR"



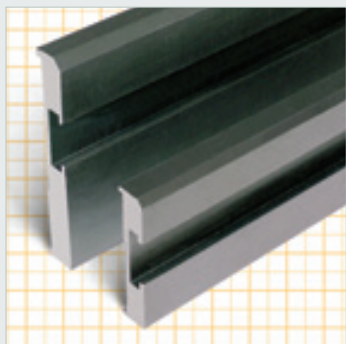
COLOR / COLOUR COULEUR / FARBE	C	L	Kg/m	COD.
Negro/Black/Noir/Schwarz	U/610	2	0,25	P30294



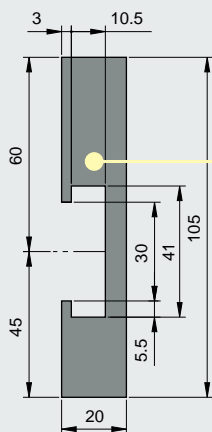
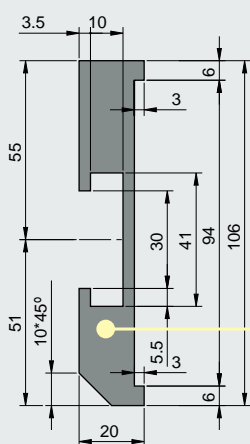
COLOR / COLOUR COULEUR / FARBE	C	L	Kg/m	COD.
Verde/Green/Vert/Grün	TCA	2	0,30	P20292



COLOR / COLOUR COULEUR / FARBE	C	L	Kg/m	COD.
Verde/Green/Vert/Grün	TCAL	2	0,29	P20293

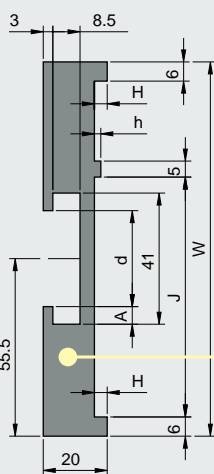


M Polietileno UHMW 1000 "DESLIDUR".
 UHMW 1000 "DESLIDUR" Polyethylene.
 Polyéthylène UHMW 1000 "DESLIDUR".
 Profil aus Polyäthylen UHMW 1000 "DESLIDUR"

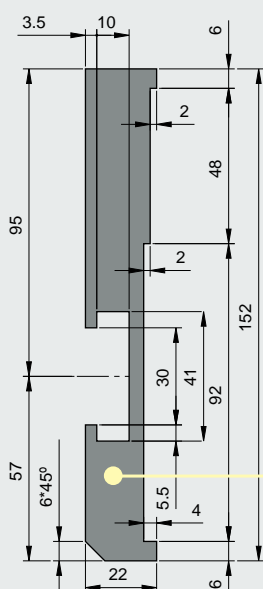


COLOR / COLOUR COULEUR / FARBE	L	Kg/m	COD.
Negro/Black/Noir/Schwarz	2	1,47	P30701L2

COLOR / COLOUR COULEUR / FARBE	L	Kg/m	COD.
Negro/Black/Noir/Schwarz	2	1,18	P30703L2



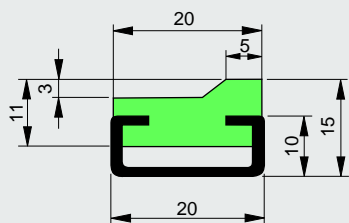
COLOR / COLOUR COULEUR / FARBE	A	d	H	h	W	J	L	Kg/m	COD
Negro/Black/Noir/Schwarz					105	68	2	1,21	P30705L2
Negro/Black/Noir/Schwarz					110	73	2	1,28	P30707L2
Negro/Black/Noir/Schwarz					115	80	2	1,35	P30708L2
Negro/Black/Noir/Schwarz					117	75	2	1,38	P30710L2
Negro/Black/Noir/Schwarz	4,5	32	5	3,5	130	100	2	1,47	P30720L2



COLOR / COLOUR COULEUR / FARBE	L	Kg/m	COD.
Negro/Black/Noir/Schwarz	2	2,19	P30740L2

Otras dimensiones bajo pedido / Another sizes on demand
 Autres longueurs sur demande / weitere Konturen auf Anfrage

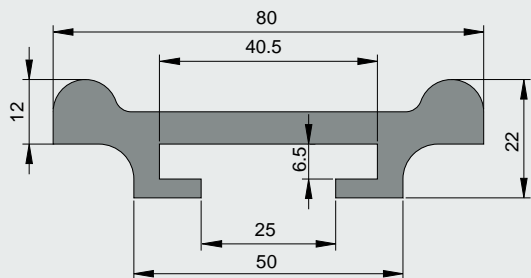
Longitud standard / Standard Length / Longueur standard / Lieferlänge 2000 mm



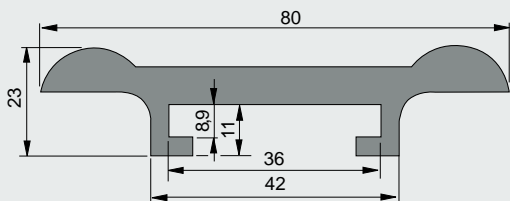
COLOR / COLOUR COULEUR / FARBE	GUIA / GUIDE PROFIL / STAHL	L	Kg/m	COD.
Verde / Green / Vert / Grün	-	2	0,12	P20380
Negro / Black / Noir / Schwarz	-	2	0,12	P30380
Verde / Green / Vert / Grün	C2010SS	2	0,61	PSS20380
Negro / Black / Noir / Schwarz	C2010SS	2	0,61	PSS30380
Verde / Green / Vert / Grün	C2010	2	0,61	PZN20380
Negro / Black / Noir / Schwarz	C2010	2	0,61	PZN30380

Salva etiquetas / Bottle guide / Protège étiquettes / Etikettenschutz-Profil

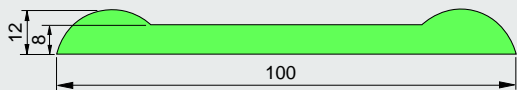
M Polietileno UHMW 1000 "DESLIDUR".
 UHMW 1000 "DESLIDUR" Polyethylene.
 Polyéthylène UHMW 1000 "DESLIDUR".
 Profil aus Polyäthylen UHMW 1000 "DESLIDUR"



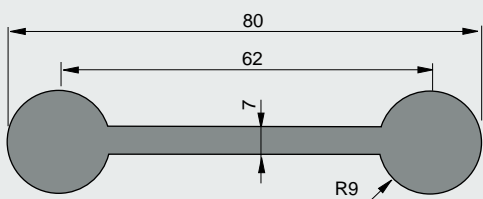
COLOR / COLOUR COULEUR / FARBE	L	Kg/m	COD.
Negro / Black / Noir / Schwarz	2	0,60	P30389



COLOR / COLOUR COULEUR / FARBE	L	Kg/m	COD.
Negro / Black / Noir / Schwarz	2	0,73	P30382



COLOR / COLOUR COULEUR / FARBE	L	Kg/m	COD.
Verde / Green / Vert / Grün	2	0,76	P20384

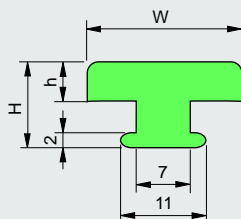


COLOR / COLOUR COULEUR / FARBE	L	Kg/m	COD.
	2	0,77	P30360L2
Negro / Black / Noir / Schwarz	3	0,77	P30360L3
	6	0,77	P30360L6

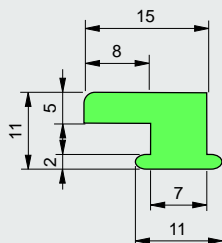
D



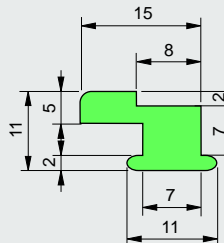
M Polietileno UHMW 1000 "DESLIDUR".
 UHMW 1000 "DESLIDUR" Polyethylene.
 Polyéthylène UHMW 1000 "DESLIDUR".
 Profil aus Polyäthylen UHMW 1000 "DESLIDUR"



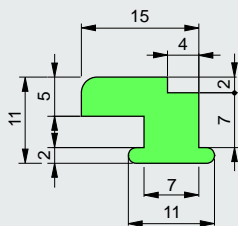
COLOR / COLOUR COULEUR / FARBE	W	H	h	L	Kg/m	COD.
Verde/Green / Vert/Grün	30	11	5	2	0,18	P20606L2
Negro/Black / Noir/Schwarz						P30606L2
Verde/Green / Vert/Grün	25	11	5	2	0,16	P20604L2
Negro/Black / Noir/Schwarz						P30604L2
Verde/Green / Vert/Grün	25	10	4	2	0,15	P20605L2
Negro/Black / Noir/Schwarz						P30605L2
Verde/Green / Vert/Grün	20	11	5	2	0,15	P20610L2
Negro/Black / Noir/Schwarz						P30610L2



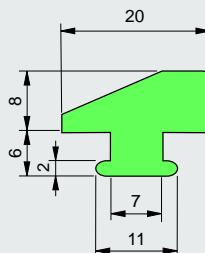
COLOR COLOUR COULEUR FARBE	L	Kg/m	COD.
Verde/Green Vert/Grün	2	0,10	P20612L2
Negro/Black Noir/Schwarz	2	0,10	P30612L2



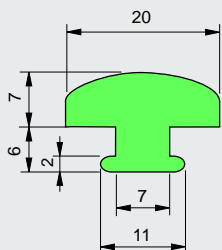
COLOR COLOUR COULEUR FARBE	L	Kg/m	COD.
Verde/Green Vert/Grün	2	0,11	P20614L2
Negro/Black Noir/Schwarz	2	0,11	P30614L2



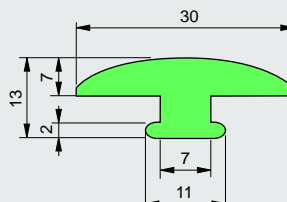
COLOR COLOUR COULEUR FARBE	L	Kg/m	COD.
Verde/Green Vert/Grün	2	0,12	P20616L2
Negro/Black Noir/Schwarz	2	0,12	P30616L2



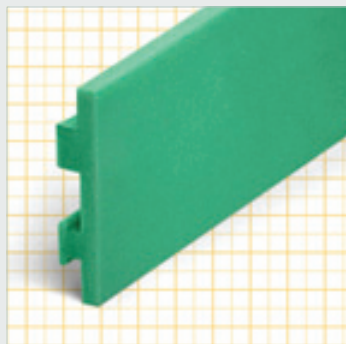
COLOR COLOUR COULEUR FARBE	L	Kg/m	COD.
Verde/Green Vert/Grün	2	0,19	P20602L2
Negro/Black Noir/Schwarz	2	0,19	P30602L2



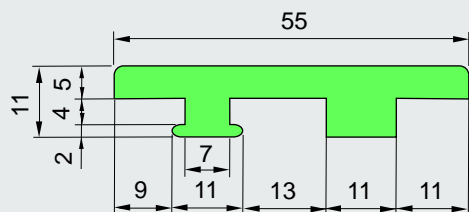
COLOR COLOUR COULEUR FARBE	L	Kg/m	COD.
Verde/Green Vert/Grün	2	0,17	P20600L2
Negro/Black Noir/Schwarz	2	0,17	P30600L2



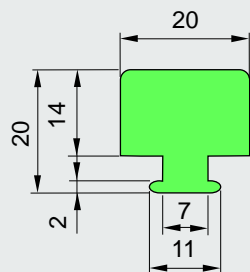
COLOR COLOUR COULEUR FARBE	L	Kg/m	COD.
Verde/Green Vert/Grün	2	0,24	P20620L2
Negro/Black Noir/Schwarz	2	0,24	P30620L2



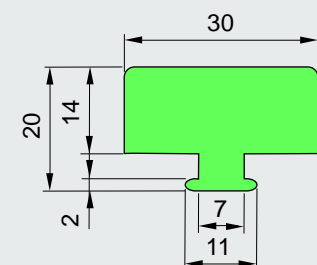
M Polietileno UHMW 1000 "DESLIDUR".
UHMW 1000 "DESLIDUR" Polyethylene.
Polyéthylène UHMW 1000 "DESLIDUR".
Profil aus Polyäthylen UHMW 1000 "DESLIDUR"



COLOR / COLOUR COULEUR / FARBE	L	Kg/m	COD.
Verde/Green/Vert/Grün	2	0,37	P20608



COLOR / COLOUR COULEUR / FARBE	L	Kg/m	COD.
Verde/Green/Vert/Grün	2	0,30	P20621

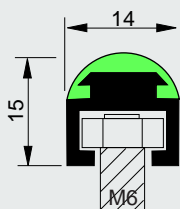
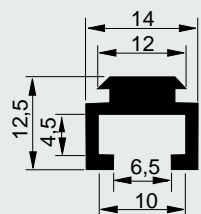


COLOR / COLOUR COULEUR / FARBE	L	Kg/m	COD.
Verde/Green/Vert/Grün	2	0,44	P20622

Otras dimensiones bajo pedido / Another sizes on demand
Autres longueurs sur demande / weitere Konturen auf Anfrage

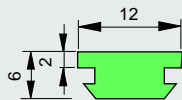
D

M Aluminio anodizado / Anodized aluminium./
Aluminium anodisé / Eloxiertes Aluminium.



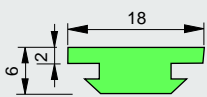
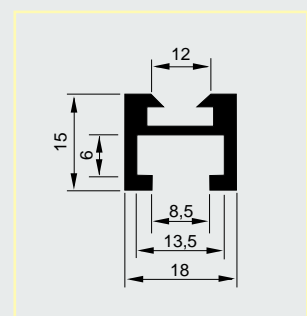
L	Kg/m	COD.
2	0,24	A12051L2
3	0,24	A12051L3
6	0,24	A12051L6

COLOR / COLOUR COULEUR / FARBE	GUIA / GUIDE PROFIL / STAHL	L	Kg/m	COD.
Blanco/White/Blanc/Weiß	-	2	0,08	P10810L2
		3		P10810L3
		A 12051		2
Verde/Green/Vert/Grün	-	2	0,08	P20810L2
		3		P20810L3
		A 12051		2
Negro/Black/Noir/Schwarz	A 12051	2	0,32	PAA20810L3
		3		P30810L2
		3		P30810L3
-	-	2	0,08	PAA30810L2
		3		PAA30810L3



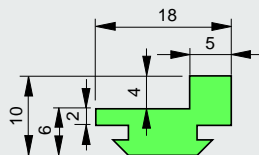
M Polietileno UHMW 1000 "DESLIDUR".
UHMW 1000 "DESLIDUR" Polyethylene.
Polyéthylène UHMW 1000 "DESLIDUR".
Profil aus Polyäthylen UHMW 1000 "DESLIDUR"

COLOR / COLOUR COULEUR / FARBE	GUIA / GUIDE PROFIL / STAHL	L	Kg/m	COD.
Blanco/White/Blanc/Weiß	A 12052	2	0,07	P10840L2
		3		P10840L3
		2		PAA10840L2
Verde/Green/Vert/Grün	A 12052	2	0,07	P20840L2
		3		P20840L3
		2		PAA20840L2
		3		PAA20840L3

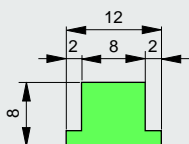


COLOR / COLOUR COULEUR / FARBE	GUIA / GUIDE PROFIL / STAHL	L	Kg/m	COD.
Blanco/White/Blanc/Weiß	A 12052	2	0,09	P10845L2
		3		P10845L3
		2		PAA10845L2
Verde/Green/Vert/Grün	A 12052	2	0,09	P20845L2
		3		P20845L3
		2		PAA20845L2
		3		PAA20845L3

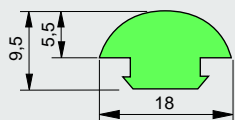
L	Kg/m	COD.
2	0,30	A12052L2
3	0,30	A12052L3
6	0,30	A12052L6



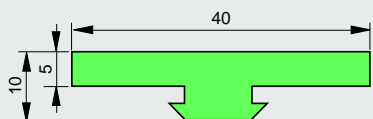
COLOR / COLOUR COULEUR / FARBE	GUIA / GUIDE PROFIL / STAHL	L	Kg/m	COD.
Blanco/White/Blanc/Weiß	-	2	0,15	P10850
	A 12052	2	0,45	PAA10850
Verde/Green/Vert/Grün	-	2	0,15	P20850
	A 12052	2	0,45	PAA20850
Negro/Black/Noir/Schwarz	-	2	0,15	P30850
	A 12052	2	0,45	PAA30850



COLOR / COLOUR COULEUR / FARBE	GUIA / GUIDE PROFIL / STAHL	L	Kg/m	COD.
Blanco/White/Blanc/Weiß	-	2	0,08	P10855
	A 12052	2	0,38	PAA10855







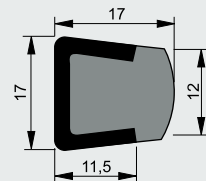
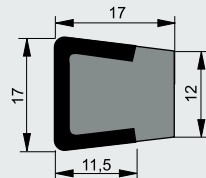
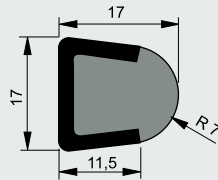
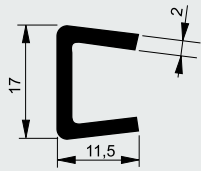
COLOR / COLOUR COULEUR / FARBE	GUIA / GUIDE PROFIL / STAHL	L	Kg/m	COD.
Blanco/White/Blanc/Weiß	A 12052	2	0,13	P10860L2
		3		P10860L3
		2		PAA10860L2
Verde/Green/Vert/Grün	A 12052	2	0,13	P20860L2
		3		P20860L3
		2		PAA20860L2
		3		PAA20860L3
Negro/Black/Noir/Schwarz	A 12052	2	0,13	P30860L2
		3		P30860L3
		2		PAA30860L2
		3		PAA30860L3



COLOR / COLOUR COULEUR / FARBE	GUIA / GUIDE PROFIL / STAHL	L	Kg/m	COD.
Blanco/White/Blanc/Weiß	-	2	0,27	P10865
	A 12052	2	0,57	PAA10865
Verde/Green/Vert/Grün	-	2	0,27	P20865
	A 12052	2	0,57	PAA20865

Otras dimensiones bajo pedido / Another sizes on demand
Autres longueurs sur demande / weitere Konturen auf Anfrage

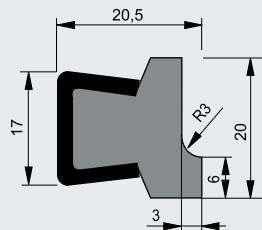
M  Polietileno UHMW 1000 "DESLIDUR".
 UHMW 1000 "DESLIDUR" Polyethylene.
 Polyéthylène UHMW 1000 "DESLIDUR".
 Profil aus Polyäthylen UHMW 1000 "DESLIDUR",
 C-Stahl siehe Tabelle.



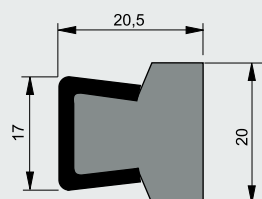
COLOR / COLOUR COULEUR / FARBE	GUIA / GUIDE PROFIL / STAHL	L	Kg/m	COD.
Blanco/White Blanc/Weiß Negro/Black Noir/Schwarz	SS	3	0,67	CSS 10005 CSS 30005

COLOR / COLOUR COULEUR / FARBE	GUIA / GUIDE PROFIL / STAHL	L	Kg/m	COD.
Blanco/White Blanc/Weiß Negro/Black Noir/Schwarz	SS	3	0,69	CSS 10010 CSS 30010

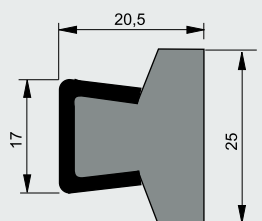
COLOR / COLOUR COULEUR / FARBE	GUIA / GUIDE PROFIL / STAHL	L	Kg/m	COD.
Blanco/White Blanc/Weiß Negro/Black Noir/Schwarz	SS	3	0,69	CSS 10015 CSS 30015



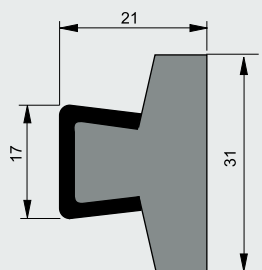
COLOR / COLOUR COULEUR / FARBE	GUIA / GUIDE PROFIL / STAHL	L	Kg/m	COD.
Blanco/White Blanc/Weiß Negro/Black Noir/Schwarz	SS	3	0,71	CSS 10022 CSS 30022



COLOR / COLOUR COULEUR / FARBE	GUIA / GUIDE PROFIL / STAHL	L	Kg/m	COD.
Blanco/White Blanc/Weiß Negro/Black Noir/Schwarz	SS	3	0,74	CSS 10020 CSS 30020







COLOR / COLOUR COULEUR / FARBE	GUIA / GUIDE PROFIL / STAHL	L	Kg/m	COD.
Blanco/White Blanc/Weiß Negro/Black Noir/Schwarz	SS	3	0,78	CSS 10025 CSS 30025

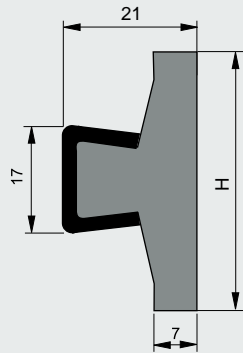
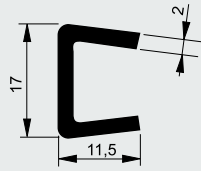


COLOR / COLOUR COULEUR / FARBE	GUIA / GUIDE PROFIL / STAHL	L	Kg/m	COD.
Blanco/White Blanc/Weiß Negro/Black Noir/Schwarz	SS	3	0,82	CSS 10030 CSS 30030

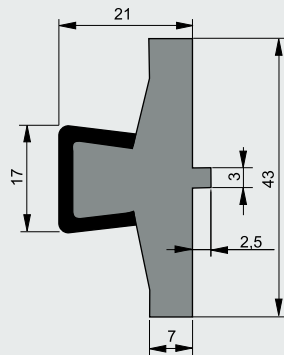
Otras longitudes bajo pedido. / Another sizes by order
 Autres Longueurs à la demande. / Sondermaße auf Anfrage

SS - Acero inoxidable. / Stainless steel
 Acier inox. / Edelstahl 1.4301

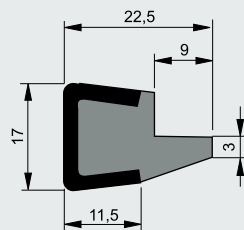
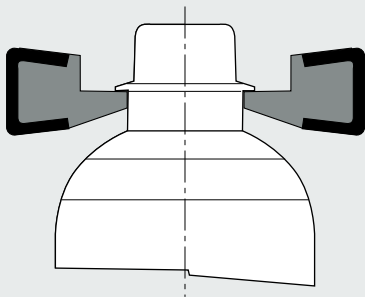
M  Polietileno UHMW 1000 "DESLIDUR".
 UHMW 1000 "DESLIDUR" Polyethylene.
 Polyéthylène UHMW 1000 "DESLIDUR".
 Profil aus Polyäthylen UHMW 1000 "DESLIDUR",
 C-Stahl siehe Tabelle.



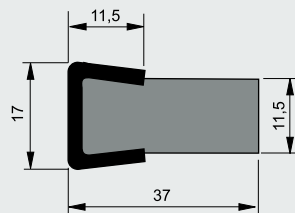
COLOR / COLOUR COULEUR / FARBE	GUIA / GUIDE PROFIL / STAHL	H	L	Kg/m	COD.
Blanco/White Blanc/Weiß	SS	40	3	0,88	CSS 10035
Negro/Black Noir/Schwarz					CSS 30035
Blanco/White Blanc/Weiß	SS	50	2	0,95	CSS 10037L2
Negro/Black Noir/Schwarz					CSS 30037L2
Blanco/White Blanc/Weiß	SS	60	2	1,02	CSS 10039L2
Negro/Black Noir/Schwarz					CSS 30039L2



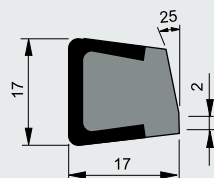
COLOR / COLOUR COULEUR / FARBE	GUIA / GUIDE PROFIL / STAHL	L	Kg/m	COD.
Blanco/White Blanc/Weiß	SS	2	0,89	CSS 10040L2
Negro/Black Noir/Schwarz				CSS 30040L2



COLOR / COLOUR COULEUR / FARBE	GUIA / GUIDE PROFIL / STAHL	L	Kg/m	COD.
Blanco/White Blanc/Weiß	SS	3	0,71	CSS 10045
Negro/Black Noir/Schwarz				CSS 30045



COLOR / COLOUR COULEUR / FARBE	GUIA / GUIDE PROFIL / STAHL	L	Kg/m	COD.
Blanco/White Blanc/Weiß	SS	3	0,89	CSS 10060
Negro/Black Noir/Schwarz				CSS 30060

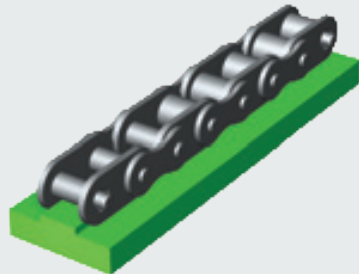
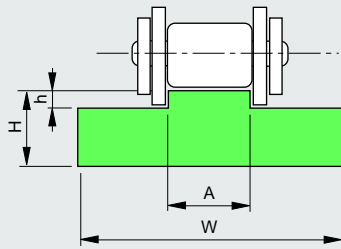


COLOR / COLOUR COULEUR / FARBE	GUIA / GUIDE PROFIL / STAHL	L	Kg/m	COD.
Blanco/White Blanc/Weiß	SS	3	0,65	CSS 10046
Negro/Black Noir/Schwarz				CSS 30046

Otros diseños pueden ser fabricados bajo pedido / Another sizes by order
 Autres Longueurs à la demande. / Sondermaße auf Anfrage

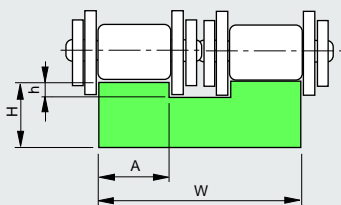
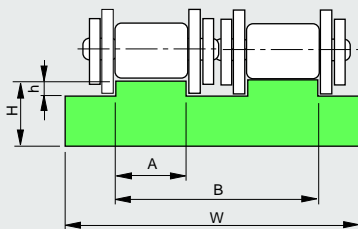
SS - Acero inoxidable. / Stainless steel
 Acier inox. / Edelstahl 1.4301

D



- M** Polietileno UHMW 1000 "DESLIDUR".
 UHMW 1000 "DESLIDUR" Polyethylene.
 Polyéthylène UHMW 1000 "DESLIDUR".
 Profil aus Polyäthylen UHMW 1000 "DESLIDUR"

Cadena / Chain / Chaîne / Ketten	Paso / Pitch / Pas / Teilung	W	H	A	h	L	Kg/m	COD.
ISO								
06 B1	3/8"	15	10	5,4	1,5	2	0,13	S-1
08 B1	1/2"	20	10	7,4	2,2	2	0,16	S-2
08 B1	1/2"	20	15	7,4	2,2	2	0,26	S-215
10 B1	5/8"	20	10	9,2	2,6	2	0,16	S-3
10 B1	5/8"	20	15	9,2	2,6	2	0,26	S-315
12 B1	3/4"	25	10	11,3	2,4	2	0,21	S-4
12 B1	3/4"	25	15	11,3	2,4	2	0,32	S-415
16 B1	1"	40	15	16,5	3,5	2	0,47	S-5
16 B1	1"	40	20	16,5	3,5	2	0,66	S-520
20 B1	1 1/4"	45	15	19	4,3	2	0,53	S-6
20 B1	1 1/4"	45	20	19	4,3	2	0,72	S-620
24 B1	1 1/2"	60	15	24,6	5,6	2	0,78	S-7
28 B1	1 3/4"	75	20	30	6,9	2	1,13	S-8
32 B1	2"	85	20	30	7,8	2	1,21	S-9

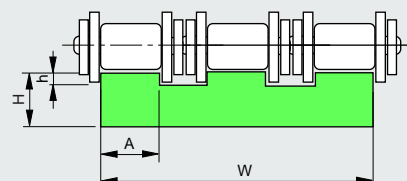
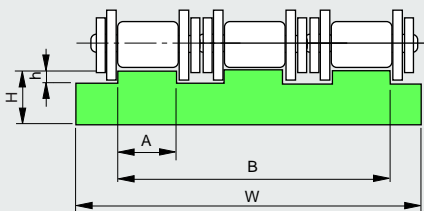


- M** Polietileno UHMW 1000 "DESLIDUR".
 UHMW 1000 "DESLIDUR" Polyethylene.
 Polyéthylène UHMW 1000 "DESLIDUR".
 Profil aus Polyäthylen UHMW 1000 "DESLIDUR"

Cadena / Chain / Chaîne / Ketten	Paso / Pitch / Pas / Teilung	W	H	A	h	B	L	Kg/m	COD.
ISO									
06 B2	3/8"	25	10	5,4	1,5	16	2	0,23	D-1
08 B2	1/2"	35	10	7,4	2,2	21	2	0,31	D-2
10 B2	5/8"	40	10	9,2	2,6	26	2	0,34	D-3
10 B2	5/8"	40	15	9,2	2,6	26	2	0,52	D-315
12 B2	3/4"	45	10	11,3	2,4	31	2	0,40	D-4
12 B2	3/4"	45	15	11,3	2,4	31	2	0,60	D-415

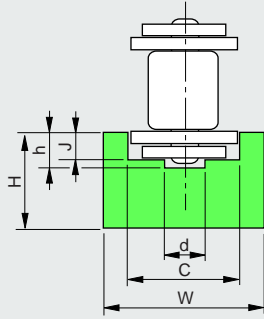
Cadena / Chain / Chaîne / Ketten	Paso / Pitch / Pas / Teilung	W	H	A	h	L	Kg/m	COD.
ISO								
16 B2	1"	48	15	16,5	3,5	2	0,86	D-5
16 B2	1"	48	20	16,5	3,5	2	1,16	D-520
20 B2	1 1/4"	55	15	19	4,3	2	0,91	D-6
20 B2	1 1/4"	55	20	19	4,3	2	1,23	D-620
24 B2	1 1/2"	72	20	24,6	5,6	2	1,50	D-7
28 B2	1 3/4"	89	20	30	6,9	2	1,79	D-8
32 B2	2"	89	20	30	7,8	2	1,75	D-9

- M** Polietileno UHMW 1000 "DESLIDUR".
 UHMW 1000 "DESLIDUR" Polyethylene.
 Polyéthylène UHMW 1000 "DESLIDUR".
 Profil aus Polyäthylen UHMW 1000 "DESLIDUR"



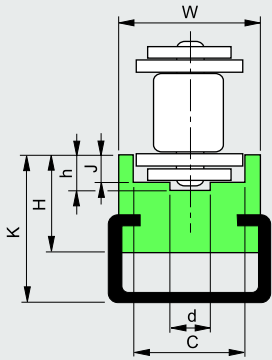
Cadena / Chain / Chaîne / Ketten	Paso / Pitch / Pas / Teilung	W	H	A	h	B	L	Kg/m	COD.
ISO									
06 B3	3/8"	35	10	5,4	1,5	25,9	2	0,31	T-1
08 B3	1/2"	45	10	7,4	2,2	35,3	2	0,38	T-2
08 B3	1/2"	45	15	7,4	2,2	35,3	2	0,59	T-2.15
08 B3	1/2"	45	20	7,4	2,2	35,3	2	0,81	T-2.20
10 B3	5/8"	55	10	9,2	2,6	42,5	2	0,45	T-3
12 B3	3/4"	65	10	11,3	2,4	50,3	2	0,55	T-4
16 B3	1"	95	15	16,5	3,5	80,3	2	1,17	T-5

Cadena / Chain / Chaîne / Ketten	Paso / Pitch / Pas / Teilung	W	H	A	h	L	Kg/m	COD.
ISO								
20 B3	1 1/4"	92	15	19,0	4,3	2	1,30	T-6
24 B3	1 1/2"	121	20	24,6	5,6	2	2,25	T-7
28 B3	1 3/4"	149	25	30,0	6,9	2	3,52	T-8
32 B3	2"	149	30	30,0	7,8	2	4,26	T-9

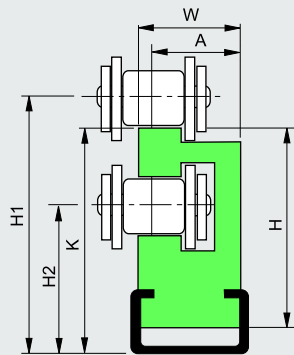


M Polietileno UHMW 1000 "DESLIDUR".
 UHMW 1000 "DESLIDUR" Polyethylene.
 Polyéthylène UHMW 1000 "DESLIDUR".
 Profil aus Polyäthylen UHMW 1000 "DESLIDUR"

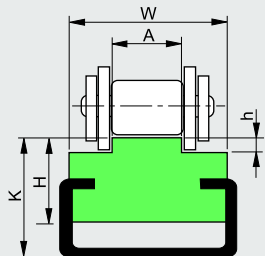
Cadena / Chain Chaîne / Ketten	Paso / Pitch / Pas / Teilung	W	H	C	h	J	d	L	Kg/m	COD.
ISO										
06 B	3/8"	20	15	9,2	4,2	2,8	4	2	0,26	U-1
08 B	1/2"	25	15	12,7	4,8	3,5	5	2	0,31	U-2
10 B	5/8"	25	15	15,2	5,1	3,6	6	2	0,29	U-3
12 B	3/4"	25	20	16,7	5,7	3,9	7	2	0,43	U-4
16 B	1"	35	25	24,4	10	8,4	9	2	0,62	U-5



Cadena / Chain Chaîne / Ketten	Paso / Pitch / Pas / Teilung	GUIA / GUIDE STAHL/PROFIL	W	H	K	h	J	d	L	Kg/m	COD.
ISO											
06 B	3/8"	C 2010	20	10	15	4,2	2,8	4	2	0,72	UCG-1
		C 2010 SS									UCG-1.SS
08 B	1/2"	C 2812	25	15	22	4,8	3,5	5	2	1,14	UCG-2
		C 2812 SS									UCG-2.SS
10 B	5/8"	C 2812	25	15	22	5,1	3,6	6	2	1,13	UCG-3
		C 2812 SS									UCG-3.SS
12 B	3/4"	C 2812	25	20	27	5,7	3,9	7	2	1,27	UCG-4
		C 2812 SS									UCG-4.SS
16 B	1"	C 3818	35	25	33	10	8,4	9	2	2,03	UCG-5
		C 3818 SS									UCG-5.SS



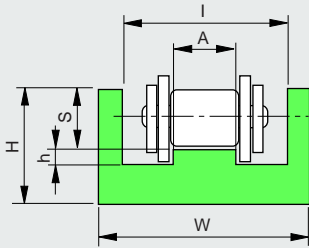
Cadena / Chain Chaîne / Ketten	Paso / Pitch / Pas / Teilung	GUIA / GUIDE STAHL/PROFIL	W	H	H1	H2	A	K	L	Kg/m	COD.
ISO											
06 B1	3/8"	C 2010	20	25	30	17	14,5	27	2	0,90	2PCG-1
		C 2010 SS									2PCG-1 SS
08 B1	1/2"	C 2010	20	28	34	18	16,5	30	2	0,96	2PCG-2
		C 2010 SS									2PCG-2 SS
10 B1	5/8"	C 2010	20	33	41	21	15,5	36	2	1,12	2PCG-3
		C 2010 SS									2PCG-3 SS
12 B1	3/4"	C 2812	28	37	46,5	24	18,6	41	2	1,70	2PCG-4
		C 2812 SS									2PCG-4 SS
16 B1	1"	C 3818	38	51	62	34	25	54	2	3,10	2PCG-5
		C 3818 SS									2PCG-5 SS



Cadena / Chain Chaîne / Ketten	Paso / Pitch / Pas / Teilung	GUIA / GUIDE STAHL/PROFIL	W	H	K	h	A	L	Kg/m	COD.
ISO										
06 B1	3/8"	C 2010	20	15	17	1,5	5,4	2	0,62	TCG-1
		C 2010 SS								TCG-1.SS
08 B1	1/2"	C 2010	20	15	17	2,2	7,4	2	0,69	TCG-2
		C 2010 SS								TCG-2.SS
10 B1	5/8"	C 2010	20	15	17	2,6	9,2	2	0,70	TCG-3
		C 2010 SS								TCG-3.SS
12 B1	3/4"	C 2812	28	15	18	2,4	11,3	2	1,17	TCG-4
		C 2812 SS								TCG-4.SS
16 B1	1"	C 2812	28	20	24	3,5	16,5	2	2,24	TCG-5
		C 2812 SS								TCG-5.SS
16 B1	1"	C 2812	28	15	18	3,5	16,5	2	1,25	TCG-5R
		C 2812 SS								TCG-5R.SS
20 B1	1 1/4"	C 3818	38	25	30	4,3	19,0	2	2,305	TCG-6
		C 3818 SS								TCG-6.SS
24 B1	1 1/2"	C 3818	38	25	30	5,6	24,6	2	2,390	TCG-7
		C 3818 SS								TCG-7.SS
28 B1	1 3/4"	C 3818	38	25	30	6,9	30	2	2,410	TCG-8
		C 3818 SS								TCG-8.SS
32 B1	2"	C 3818	38	25	30	7,8	30	2	2,480	TCG-9
		C 3818 SS								TCG-9.SS

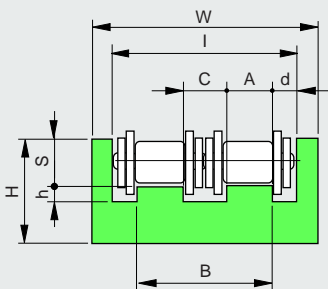
D

M Polietileno UHMW 1000 "DESLIDUR".
 UHMW 1000 "DESLIDUR" Polyethylene.
 Polyéthylène UHMW 1000 "DESLIDUR".
 Profil aus Polyäthylen UHMW 1000 "DESLIDUR"



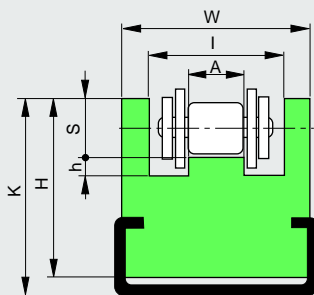
Cadena / Chain Chaîne / Ketten	Paso / Pitch / Pas / Teilung	W	H	I	h	A	S	L	Kg/m	COD.
ISO										
06 B1	3/8"	25	10	15	1,5	5,4	4,4	2	0,17	UC-1
08 B1	1/2"	30	15	20	2,2	7,4	7,2	2	0,27	UC-2
10 B1	5/8"	33	20	23	2,6	9,2	9,5	2	0,40	UC-3
12 B1	3/4"	38	20	28	2,4	11,3	11,1	2	0,41	UC-4
16 B1	1"	51	25	41	3,5	16,5	16,5	2	0,51	UC-5
20 B1	1" 1/4	56	30	46	4,3	19	20,7	2	0,72	UC-6

M Polietileno UHMW 1000 "DESLIDUR".
 UHMW 1000 "DESLIDUR" Polyethylene.
 Polyéthylène UHMW 1000 "DESLIDUR".
 Profil aus Polyäthylen UHMW 1000 "DESLIDUR"



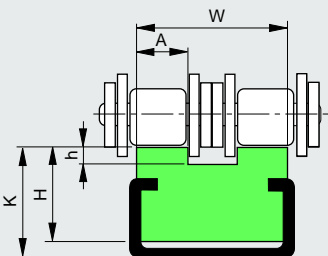
Cadena / Chain Chaîne / Ketten	Paso / Pitch / Pas / Teilung	W	H	I	h	A	S	B	C	d	L	Kg/m	COD.
ISO													
06 B2	3/8"	36	15	26	1,5	5,4	4,4	16	5,2	5	2	0,39	UCD-1
08 B2	1/2"	45	20	35	2,2	7,4	7,2	21	6,2	7	2	0,62	UCD-2
10 B2	5/8"	50	25	40	2,6	9,2	9,5	26	7,6	7	2	0,82	UCD-3
12 B2	3/4"	56	25	46	2,4	11,3	11,1	31	8,4	7,5	2	0,81	UCD-4
16 B2	1"	85	30	75	3,5	16,5	16,5	48,4	15,4	13,3	2	1,20	UCD-5

M Polietileno, UHMW 1000 "DESLIDUR", guía s / tabla.
 Polyethylene UHMW 1000 "DESLIDUR" guide as in the table.
 Polyéthylène UHMW 1000 "DESLIDUR", profile suivant table.
 Profil aus Polyäthylen UHMW 1000 "DESLIDUR", C-Stahl siehe Tabelle.

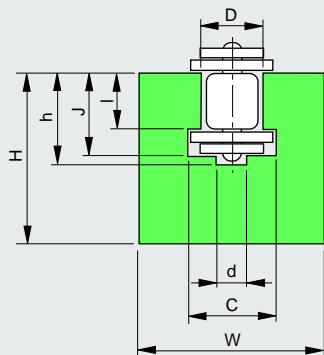


Cadena / Chain Chaîne / Ketten	Paso / Pitch / Pas / Teilung	GUIA / GUIDE PROFIL / STAHL	W	H	K	I	h	A	S	L	Kg/m	COD.
ISO												
06 B1	3/8"	C 2010 C 2010 SS	25	15	18	15	1,5	5,4	4,4	2	0,76	UCCG-1 UCCG-1.SS
08 B1	1/2"	C 2812 C 2812 SS	30	25	27	20	2,2	7,4	7,2	2	1,10	UCCG-2 UCCG-2.SS
10 B1	5/8"	C 2812 C 2812 SS	33	30	32	23	2,6	9,2	9,5	2	1,30	UCCG-3 UCCG-3.SS
12 B1	3/4"	C 3818 C 3818 SS	38	35	40	28	2,4	11,3	11,1	2	2,33	UCCG-4 UCCG-4.SS
16 B1	1"	C 3818 C 3818 SS	51	40	45	41	3,5	16,5	16,5	2	2,44	UCCG-5 UCCG-5.SS

M Polietileno, UHMW 1000 "DESLIDUR", guía s / tabla.
 Polyethylene UHMW 1000 "DESLIDUR" guide as in the table.
 Polyéthylène UHMW 1000 "DESLIDUR", profile suivant table.
 Profil aus Polyäthylen UHMW 1000 "DESLIDUR", C-Stahl siehe Tabelle.

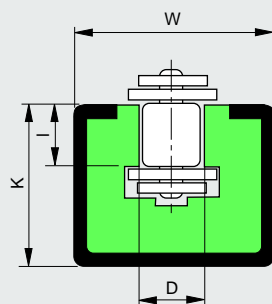


Cadena / Chain Chaîne / Ketten	Paso / Pitch / Pas / Teilung	GUIA / GUIDE PROFIL / STAHL	W	H	K	h	A	L	Kg/m	COD.
ISO										
06 B2	3/8"	C 2010 C 2010 SS	16	10	15	1,5	5,4	2	0,61	TCGD-1 TCGD-1.SS
08 B2	1/2"	C 2010 C 2010 SS	21	15	17	2,2	7,4	2	0,71	TCGD-2 TCGD-2.SS
10 B2	5/8"	C 2812 C 2812 SS	26	15	17	2,6	9,2	2	1,16	TCGD-3 TCGD-3.SS
12 B2	3/4"	C 2812 C 2812 SS	31	15	18	2,4	11,3	2	1,20	TCGD-4 TCGD-4.SS



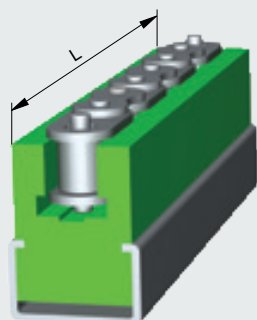
M Polietileno UHMW 1000 "DESLIDUR".
 UHMW 1000 "DESLIDUR" Polyethylene.
 Polyéthylène UHMW 1000 "DESLIDUR".
 Profil aus Polyäthylen UHMW 1000 "DESLIDUR"

Cadena / Chain Chaîne / Ketten	Paso / Pitch / Pas / Teilung	W	H	C	h	l	J	d	D	L	Kg/m	COD.
ISO												
06 B	3/8"	20	25	9,3	10	5,6	8,7	4	6,6	2	0,41	GH-1
08 B	1/2"	24	30	12,8	12,7	7,6	11,5	5	8,7	2	0,56	GH-2
10 B	5/8"	30	35	15,4	14,8	9,5	13,5	6	10,4	2	0,83	GH-3
12 B	3/4"	40	35	16,9	17,5	11,5	15,9	7	12,3	2	1,11	GH-4
16 B	1"	40	45	24,4	28,2	15,9	25,7	9	16,2	2	1,23	GH-5
20 B	1 1/4"	50	50	27,5	31,2	19,4	29,3	11	19,3	2	1,73	GH-6
24 B	1 1/2"	60	60	36,5	40,1	25,2	38,2	16	25,7	2	2,33	GH-7
28 B	1 3/4"	70	70	41,5	48,9	30,8	46,9	17	28,3	2	3,17	GH-8
32 B	2"	75	75	44,5	53,0	30,8	47,3	19	29,6	2	3,26	GH-9

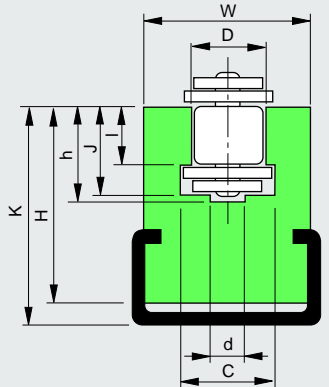


M Polietileno, UHMW 1000 "DESLIDUR", guía s / tabla.
 Polyethylene UHMW 1000 "DESLIDUR" guide as in the table.
 Polyéthylène UHMW 1000 "DESLIDUR", profile suivant table.
 Profil aus Polyäthylen UHMW 1000 "DESLIDUR", C-Stahl siehe Tabelle.

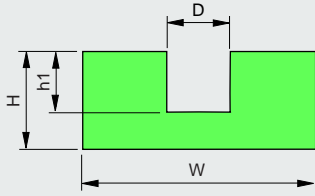
Cadena / Chain Chaîne / Ketten	Paso / Pitch / Pas / Teilung	GUIA / GUIDE PROFIL / STAHL	W	K	l	D	L	Kg/m	COD.
ISO									
06 B	3/8"	C3024	30	24	5,6	6,6	2	1,37	GHCG-1
		C3024 SS							GHCG-1.SS
08 B	1/2"	C3024	30	24	7,6	8,7	2	1,35	GHCG-2
		C3024 SS							GHCG-2.SS
08 B	1/2"	C2816	28	16	7,6	8,7	2	1,26	GHCG-2E
		C2816 SS							GHCG-2E.SS
10 B	5/8"	C3024	30	24	9,3	10,4	2	1,30	GHCG-3
		C3024 SS							GHCG-3.SS
12 B	3/4"	C3024	30	24	11,5	12,3	2	1,26	GHCG-4
		C3024 SS							GHCG-4.SS
16 B	1"	C4540	45	40	15,9	16,2	2	2,93	GHCG-5
		C4540 SS							GHCG-5.SS



M Polietileno, UHMW 1000 "DESLIDUR", guía s / tabla.
 Polyethylene UHMW 1000 "DESLIDUR" guide as in the table.
 Polyéthylène UHMW 1000 "DESLIDUR", profile suivant table.
 Profil aus Polyäthylen UHMW 1000 "DESLIDUR", C-Stahl siehe Tabelle.

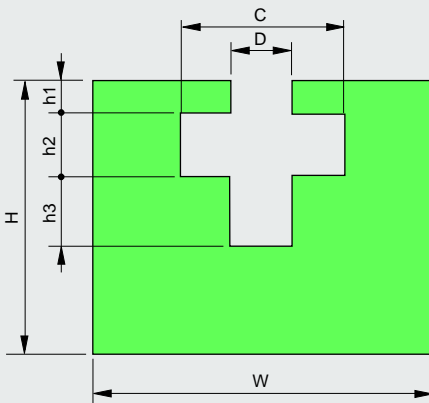


Cadena / Chain Chaîne / Ketten	Paso / Pitch / Pas / Teilung	GUIA / GUIDE PROFIL / STAHL	W	H	K	l	J	h	d	D	C	L	Kg/m	COD.
ISO														
06 B	3/8"	C2010	20	17,5	21	5,6	8,7	9,9	4	6,6	9,3	2	0,62	GHLCG-1
		C2010 SS												GHLCG-1.SS
08 B	1/2"	C2812	28	27,5	32	7,6	11,5	12,7	5	8,7	12,8	2	1,45	GHLCG-2
		C2812 SS												GHLCG-2.SS
10 B	5/8"	C2812	28	27,5	32	9,3	13,5	14,8	6	10,4	15,4	2	1,40	GHLCG-3
		C2812 SS												GHLCG-3.SS
12 B	3/4"	C3818	38	34,0	43	11,5	15,9	17,5	7	12,3	16,9	2	1,71	GHLCG-4
		C3818 SS												GHLCG-4.SS
16 B	1"	C3818	38	40	50	15,9	25,7	28,2	9	16,2	24,4	2	1,60	GHLCG-5
		C3818 SS												GHLCG-5.SS
20 B	1 1/4"	C6020	60	45	55	19,4	29,3	31,2	11	19,3	27,5	2	4,80	GHLCG-6
		C6020 SS												GHLCG-6.SS
24 B	1 1/2"	C6020	60	55	65	25,2	38,2	40,1	16	25,7	36,5	2	5,00	GHLCG-7
		C6020 SS												GHLCG-7.SS
28 B	1 3/4"	C6020	70	70	80	30,8	46,9	48,9	17	28,3	41,5	2	6,20	GHLCG-8
		C6020 SS												GHLCG-8.SS
32 B	2"	C6020	70	70	80	30,8	47,3	53,0	19	29,6	44,5	2	6,20	GHLCG-9
		C6020 SS												GHLCG-9.SS



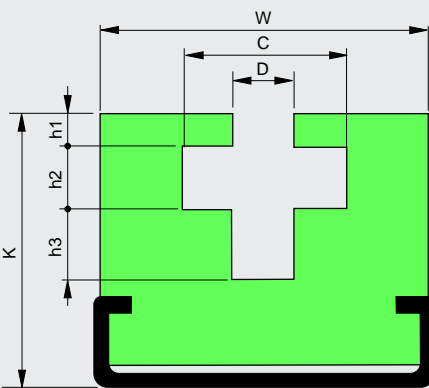
M Polietileno UHMW 1000 "DESLIDUR".
 UHMW 1000 "DESLIDUR" Polyethylene.
 Polyéthylène UHMW 1000 "DESLIDUR".
 Profil aus Polyäthylen UHMW 1000 "DESLIDUR".

W	H	D	h1	L	Kg/m	COD.
30	15	7	7	2	0,40	GME 06
35	20	9	9	2	0,61	GME 08
45	25	11	11	2	1,00	GME 10
55	30	15	15	2	1,42	GME 13



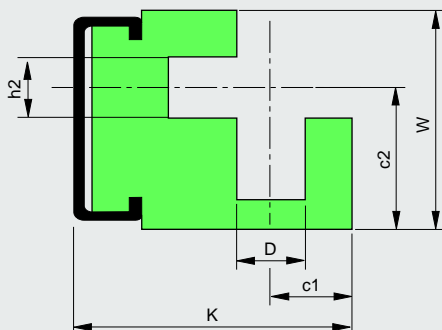
M Polietileno UHMW 1000 "DESLIDUR".
 UHMW 1000 "DESLIDUR" Polyethylene.
 Polyéthylène UHMW 1000 "DESLIDUR".
 Profil aus Polyäthylen UHMW 1000 "DESLIDUR".

W	H	D	C	h1	h2	h3	L	Kg/m	COD.
45	35	7	23	4,5	7	8	2	1,40	GHE 06
50	40	9	31	5,0	9	10	2	1,74	GHE 08
50	45	11	35	8,5	11	12	2	1,70	GHE 10
60	50	15	47	10,5	15	16	2	2,14	GHE 13



M Polietileno, UHMW 1000 "DESLIDUR", guía s / tabla.
 Polyethylene UHMW 1000 "DESLIDUR" guide as in the table.
 Polyéthylène UHMW 1000 "DESLIDUR", profile suivant table.
 Profil aus Polyäthylen UHMW 1000 "DESLIDUR", C-Stahl siehe Tabelle.

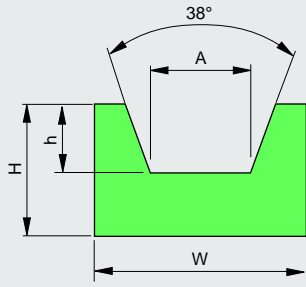
GUIA / GUIDE PROFIL / STAHL	W	K	D	C	h1	h2	h3	L	Kg/m	COD.
C 3818	45	45	7	23	4,5	7	8	2	3,20	GHEL 06
C 3818 SS										GHEL 06.SS
C 3818	50	50	9	31	5,0	9	10	2	3,80	GHEL 08
C 3818 SS										GHEL 08.SS
C 3818	50	60	11	35	8,5	11	12	2	3,90	GHEL 10
C 3818 SS										GHEL 10.SS
C 6020	60	75	15	47	10,5	15	16	2	5,10	GHEL 13
C 6020 SS										GHEL 13.SS



M Polietileno, UHMW 1000 "DESLIDUR", guía s / tabla.
 Polyethylene UHMW 1000 "DESLIDUR" guide as in the table.
 Polyéthylène UHMW 1000 "DESLIDUR", profile suivant table.
 Profil aus Polyäthylen UHMW 1000 "DESLIDUR", C-Stahl siehe Tabelle.

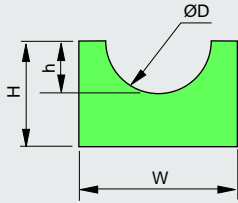
GUIA / GUIDE PROFIL / STAHL	W	K	D	h2	c1	c2	L	Kg/m	COD.
C 2010	27	34	7	7	10,5	17,5	2	1,20	GHGE 06
C 2010 SS									GHGE 06.SS
C 2812	32	42	9	9	12,5	20,5	2	2,20	GHGE 08
C 2812 SS									GHGE 08.SS
C 3818	42,5	56	11	11	16,5	25,5	2	3,20	GHGE 10
C 3818 SS									GHGE 10.SS
C 6020	60	70	15	15	20,5	33,5	2	4,10	GHGE 13
C 6020 SS									GHGE 13.SS

D

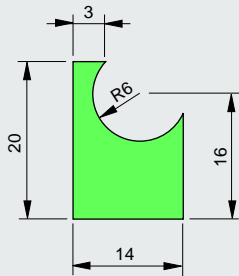


M Polietileno UHMW 1000 "DESLIDUR".
 UHMW 1000 "DESLIDUR" Polyethylene.
 Polyéthylène UHMW 1000 "DESLIDUR".
 Profil aus Polyäthylen UHMW 1000 "DESLIDUR"

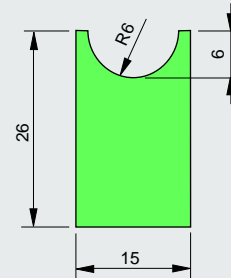
W	H	h	A	L	Kg/m	COD.
20	10	3	6,5	2	0,20	CT 10 Z
20	12	5	8	2	0,23	CT 13 A
25	12	5	10	2	0,29	CT 15 E
30	15	8	10,5	2	0,43	CT 17 B
35	20	11	13,5	2	0,66	CT 22 C
40	25	13	19	2	0,94	CT 30 D



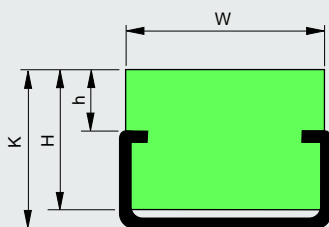
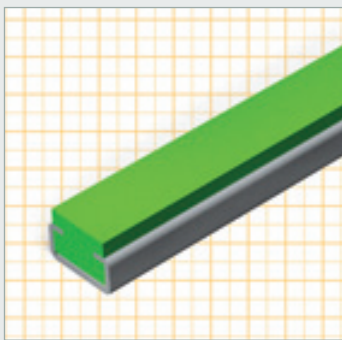
W	H	h	ØD	L	Kg/m	COD.
15	10	2	4	2	0,14	COR 04
15	10	2,5	5	2	0,14	COR 05
20	10	3	6	2	0,19	COR 06
20	10	4	8	2	0,17	COR 08
25	12	5	10	2	0,26	COR 10
25	12	6	12	2	0,24	COR 12
25	15	7,5	15	2	0,29	COR 15
30	20	10	20	2	0,44	COR 20



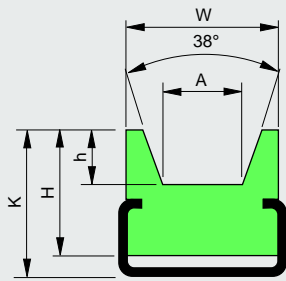
COLOR / COLOUR COULEUR / FARBE	L	Kg/m	COD.
Verde/Green / Vert/Grün	2	0,18	P 20090



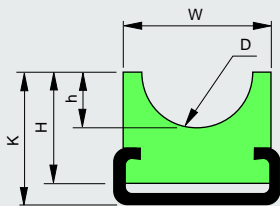
COLOR / COLOUR COULEUR / FARBE	L	Kg/m	COD.
Verde/Green / Vert/Grün	2	0,34	P 20095



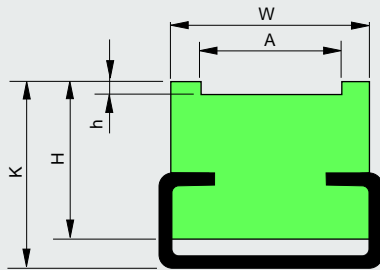
GUIA / GUIDE PROFIL / STAHL	W	K	H	h	L	Kg/m	COD.
C 2405	20	6	5	0,8	2	0,35	HCG 2006
C 2405 SS	20	6	5	0,8	2	0,35	HCG 2006.SS
C 2405	20	11	10	5,8	2	0,45	HCG 2011
C 2405 SS	20	11	10	5,8	2	0,45	HCG 2011.SS
C 2010	20	14	10	4	2	0,79	HCG 2014
C 2010 SS	20	14	10	4	2	0,79	HCG 2014.SS
C 2010	20	17	15	7	2	0,88	HCG 2017
C 2010 SS	20	17	15	7	2	0,88	HCG 2017.SS
C 2010	20	22	20	12	2	0,94	HCG 2022
C 2010 SS	20	22	20	12	2	0,94	HCG 2022.SS
C 2812	28	15	10	3	2	1,18	HCG 2815
C 2812 SS	28	15	10	3	2	1,18	HCG 2815.SS
C 2812	28	18	15	6	2	1,32	HCG 2818
C 2812 SS	28	18	15	6	2	1,32	HCG 2818.SS
C 2812	28	24	20	12	2	1,49	HCG 2824
C 2812 SS	28	24	20	12	2	1,49	HCG 2824.SS
C 3818	38	22	12	4	2	2,20	HCG 3822
C 3818 SS	38	22	12	4	2	2,20	HCG 3822.SS
C 3818	38	24	15	6	2	2,46	HCG 3824
C 3818 SS	38	24	15	6	2	2,46	HCG 3824.SS
C 3818	38	30	20	12	2	2,69	HCG 3830
C 3818 SS	38	30	20	12	2	2,69	HCG 3830.SS
C 6020	60	30	20	10	2	3,26	HCG 6030
C 6020 SS	60	30	20	10	2	3,26	HCG 6030.SS



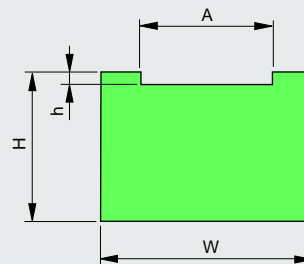
GUIA / GUIDE PROFIL / STAHL	W	H	h	K	A	L	Kg/m	COD.
C 2010	20	15	3	17	6,5	2	0,79	CTCG 10 Z
C 2010 SS	20	15	3	17	6,5	2	0,79	CTCG 10 Z.SS
C 2010	20	15	5	17	8	2	0,78	CTCG 13 A
C 2010 SS	20	15	5	17	8	2	0,78	CTCG 13 A.SS
C 2812	25	20	5	24	10	2	1,35	CTCG 15 E
C 2812 SS	25	20	5	24	10	2	1,35	CTCG 15 E.SS
C 2812	30	20	8	24	10,5	2	1,44	CTCG 17 B
C 2812 SS	30	20	8	24	10,5	2	1,44	CTCG 17 B.SS
C 3818	38	25	11	32	13,5	2	2,26	CTCG 22 C
C 3818 SS	38	25	11	32	13,5	2	2,26	CTCG 22 C.SS
C 3818	40	30	13	35	19	2	2,57	CTCG 30 D
C 3818 SS	40	30	13	35	19	2	2,57	CTCG 30 D.SS



GUIA / GUIDE PROFIL / STAHL	W	H	h	K	D	L	Kg/m	COD.
C 2010	20	10	2	14	4	2	0,68	CORCG 04
C 2010 SS	20	10	2	14	4	2	0,68	CORCG 04.SS
C 2010	20	10	2,5	14	5	2	0,67	CORCG 05
C 2010 SS	20	10	2,5	14	5	2	0,67	CORCG 05.SS
C 2010	20	10	3	14	6	2	0,66	CORCG 06
C 2010 SS	20	10	3	14	6	2	0,66	CORCG 06.SS
C 2010	20	10	4	14	8	2	0,65	CORCG 08
C 2010 SS	20	10	4	14	8	2	0,65	CORCG 08.SS
C 2812	28	15	5	18	10	2	1,18	CORCG 10
C 2812 SS	28	15	5	18	10	2	1,18	CORCG 10.SS
C 2812	28	15	6	18	12	2	1,14	CORCG 12
C 2812 SS	28	15	6	18	12	2	1,14	CORCG 12.SS
C 2812	28	15	7,5	18	15	2	1,16	CORCG 15
C 2812 SS	28	15	7,5	18	15	2	1,16	CORCG 15.SS
C 2812	28	20	10	24	20	2	1,28	CORCG 20
C 2812 SS	28	20	10	24	20	2	1,28	CORCG 20.SS

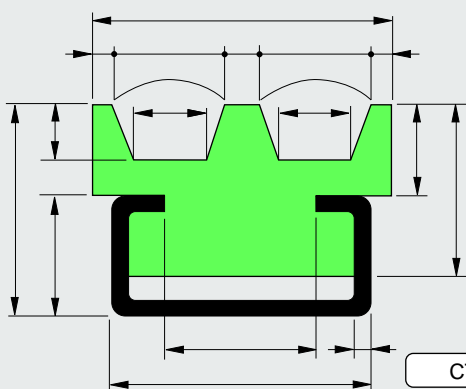


Tipo GPCPG

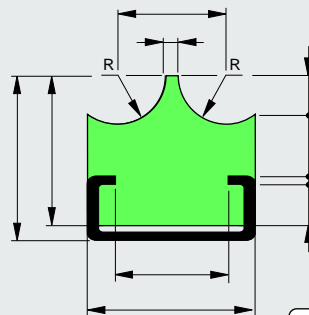


Tipo GCP

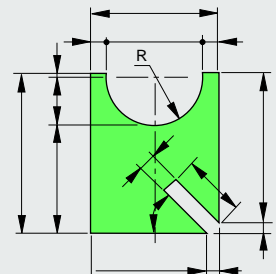
- Indicar dimensiones al realizar el pedido. / To make an order indicate dimensions. / Nous communiquer les dimensions pour execution de la commande.
- Bajo pedido se puede suministrar con guía inox. Stainless steel channel by order.
- Longitud standard / Standard Length / Longueur standard / Lieferlänge 2000 mm

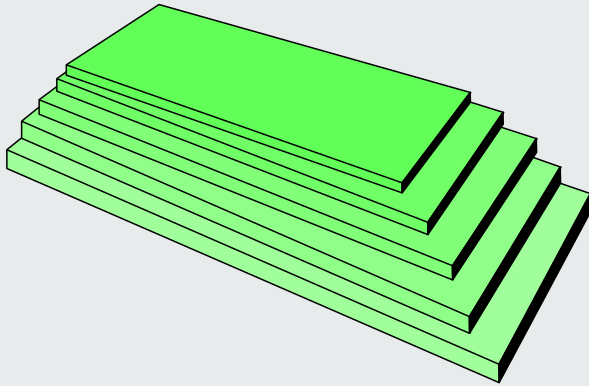


CTCGA



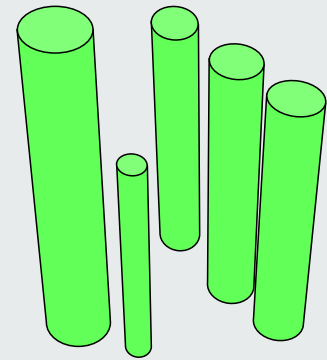
CORCGD





Plancha / Sheets / Plaque / Platten

Dimensiones / Dimension / Dimensions / Formate: 2000 x 1000 mm.
 Exesor / Thickness / Épaisseu / Stärke: 5 / 110 mm.
 Colores verde, blanco y negro / Green, white and black colours
 Couleurs, vert, blanc et noir / In den Farben grün, Weiß und schwarz



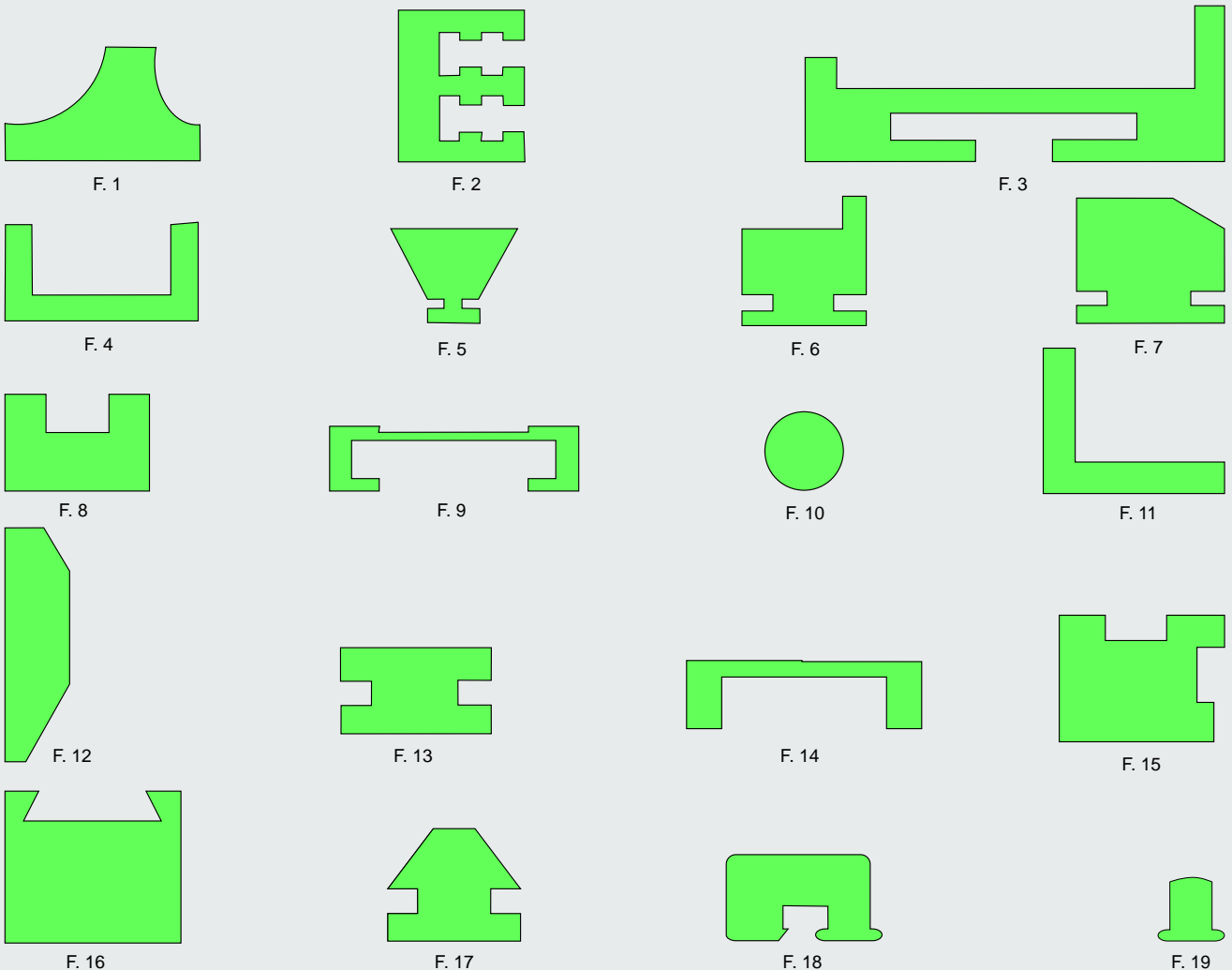
Barras / Rods / Barres / Barren

Dimensiones / Dimension / Dimensions / Formate \varnothing 20 a 300 mm.
 Longitud / Length / Longueur: 1000 mm.
 Colores, blanco y negro / White and black colours
 Couleurs, blanc et noir / In den Farben, Weiß und schwarz

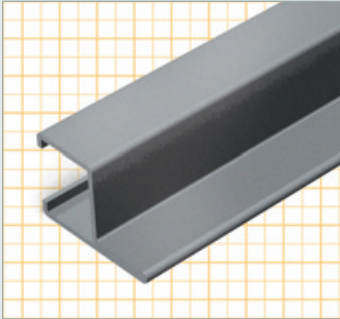
Otros tipos de perfiles fabricados bajo demanda / Another different profiles made on request /
 D'autres types de profils peuvent être fabriqués sur demande / Weitere Profile fertigen wir nach ihren Maßangaben

OTROS TIPOS DE PERFILES FABRICADOS BAJO DEMANDA / ANOTHER DIFFERENT PROFILES MADE OF REQUEST

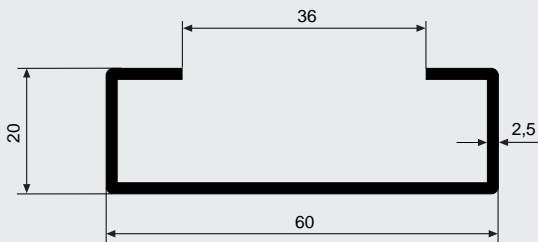
D'ÁUTRES TYPES DE PROFILS PEUVENT ÊTRE FABRIQUÉS SUR DEMANDE / WEITERE PROFILE FERTIGEN WIR NACH IHREN MAßANGABEN



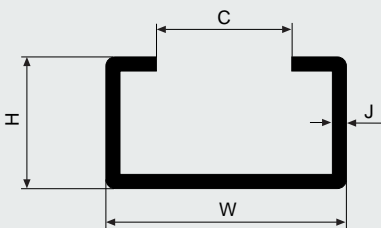
D



- M** Acero Inoxidable - Acero Zincado, s / tabla.
 Stainless Steel - Galvanized Steel, as in the table.
 Acier Inox. - Acier Zingué, suivant / table.
 Edelstahl - Verzinkter Stahl, siehe tabelle.



GUIA / GUIDE PROFIL / STAHL	L	Kg/m	COD
ZN	2	2,16	C 6020
SS	2	2,16	C 6020 SS



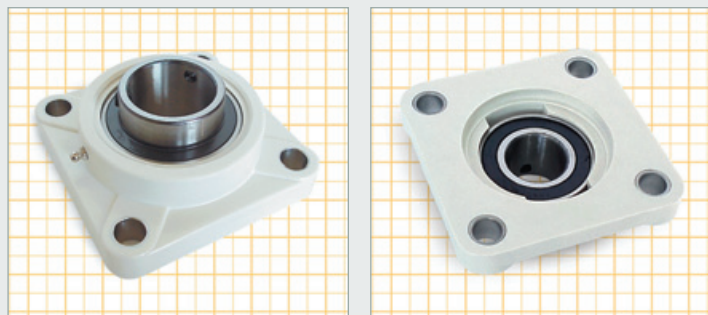
GUIA / GUIDE PROFIL / STAHL	W	H	C	J	L	Kg/m	COD
ZN	24	5,2	17,5	1	2	0,28	C 2405
SS	24	5,2	17,5	1	2	0,28	C 2405 SS
ZN	20	10	10	1,5	2	0,49	C 2010
SS	20	10	10	1,5	2	0,49	C 2010SS
ZN	28	12	14	2	2	0,86	C 2812
SS	28	12	14	2	2	0,86	C 2812 SS
ZN	28	16	14	2,5	2	1,16	C 2816
SS	28	16	14	2,5	2	1,16	C 2816 SS
ZN	38	18	22	2,5	2	1,43	C 3818
SS	38	18	22	2,5	2	1,43	C 3818 SS
ZN	30	24	20	1,5	2	0,94	C 3024
SS	30	24	20	1,5	2	0,94	C 3024 SS
ZN	45	40	31	2	2	2,05	C 4540
SS	45	40	31	2	2	2,05	C 4540 SS

La longitud normalizada de las guías Deslidur y los perfiles de acero es de 2 m. Otras longitudes se pueden suministrar bajo pedido. /
 Standard length of Deslidur and steel profiles 2 m. other lengths available on request. /
 La longueur standard des guides Deslidur et profils acier est de 2 mètres. D'autres longueurs peuvent être fournies sur demande /
 Standard - Länge der Deslidur - und Stahl - Profile its 2 Meter. Sonderlängen auf Wunsch lieferbar.

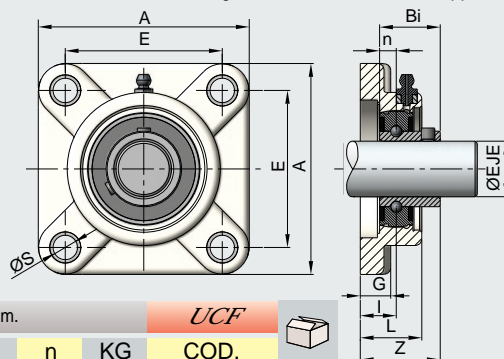


**RODAMIENTOS
BEARINGS
PALIERS
FLANSCHLAGER**

SOPORTE CUADRADO UCF / SQUARE SUPPORT UCF
PALIER CARRÉ UCF STANDARD / FLANSCHLAGER 4-LOCH-BEFESTIGUNG SERIE UCF



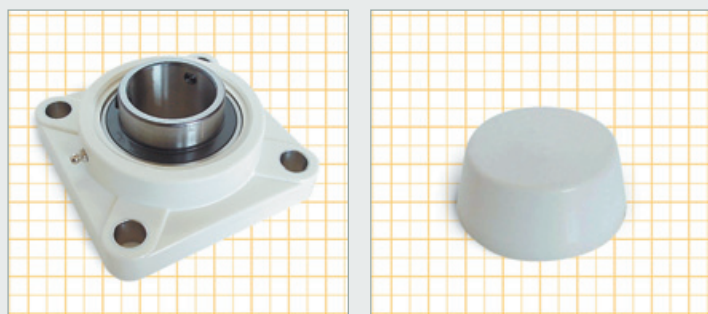
- M** Soporte en PBT, rodamiento acero, insertos en acero inoxidable. /
 Support in PBT, steel bearing, bushings in stainless steel. /
 Cage thermoplastique en PBT, roulements acier, inserts inox. /
 Gehäuse in PBT. Stahl-läger, Buchsen und Schmiernippel in Edelstahl



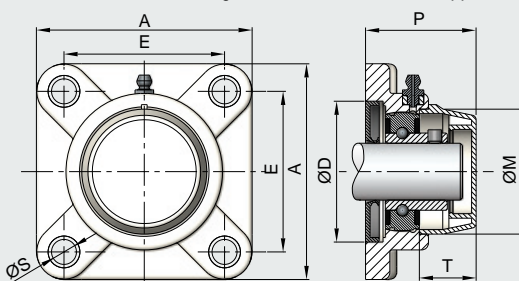
Dimensiones en mm. / Sizes in mm. / Measures in mm. / Abmessungen in mm.

ØEJE	A	E	G	L	ØS	Z	I	Bi	n	KG	UCF	COD.	
Ø20	86	63,5	13,4	27,8	11	35,7	18	24,7	7	0,30	312120	10	
Ø25	95	70	14,3	28	11	36,5	17	27	7,5	0,35	312125	10	
Ø30	107	83	14,3	31,5	11	41,5	19,2	30,3	8	0,50	312130	5	
Ø35	118	92	15,5	34,8	13	45,9	21,5	32,9	8,5	0,75	312135	4	
Ø40	130	102	17	37,5	14	49,5	23	35,5	9	0,95	312140	4	

SOPORTE CUADRADO CON TAPA CERRADA UCF / SQUARE SUPPORT WITH CLOSED COVER UCF
PALIER CARRÉ UCF CAPOT FERMÉ / FLANSCHLAGER 4-LOCH-BEFESTIGUNG SERIE UCF
MIT SCHUTZKAPPE, GESCHLOSSEN



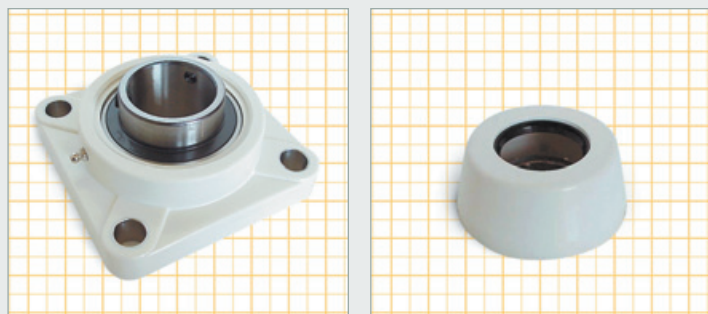
- M** Soporte en PBT, rodamiento acero, insertos en acero inoxidable. /
 Support in PBT, steel bearing, bushings in stainless steel. /
 Cage thermoplastique en PBT, roulements acier, inserts inox. /
 Gehäuse in PBT. Stahl-läger, Buchsen und Schmiernippel in Edelstahl



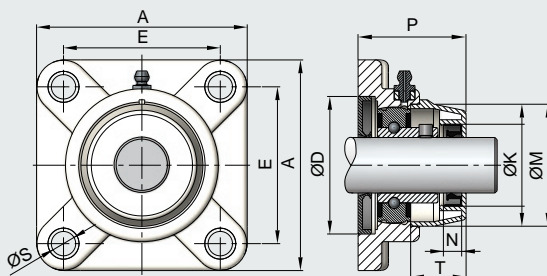
Dimensiones en mm. / Sizes in mm. / Measures in mm. / Abmessungen in mm.

ØEJE	A	E	G	P	L	ØS	Z	I	Bi	n	ØM	T	ØD	ØK	N	KG	UCF	COD.	
Ø20	86	63,5	13,4	47	27,8	11	35,7	18	24,7	7	50	23	52	-	-	0,35	312120C	10	
Ø25	95	70	14,3	48	28	11	36,5	17	27	7,5	55	25	62	-	-	0,40	312125C	10	
Ø30	107	83	14,3	56,5	31,5	11	41,5	19,2	30,3	8	64	30	72	-	-	0,55	312130C	5	
Ø35	118	92	15,5	61,4	34,8	13	45,9	21,5	32,9	8,5	74,5	32	82	-	-	0,80	312135C	4	
Ø40	130	102	17	68,5	37,5	14	49,5	23	35,5	9	84	37	88	-	-	1,00	312140C	4	

SOPORTE CUADRADO CON TAPA ABIERTA UCF / SQUARE SUPPORT WITH OPEN COVER UCF
PALIER CARRÉ UCF CAPOT OUVERT / FLANSCHLAGER 4-LOCH-BEFESTIGUNG SERIE UCF
MIT SCHUTZKAPPE, OFFEN



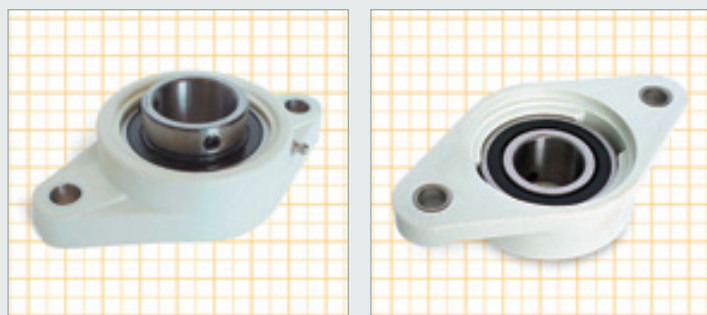
- M** Soporte en PBT, rodamiento acero, insertos en acero inoxidable. /
 Support in PBT, steel bearing, bushings in stainless steel. /
 Cage thermoplastique en PBT, roulements acier, inserts inox. /
 Gehäuse in PBT. Stahl-läger, Buchsen und Schmiernippel in Edelstahl



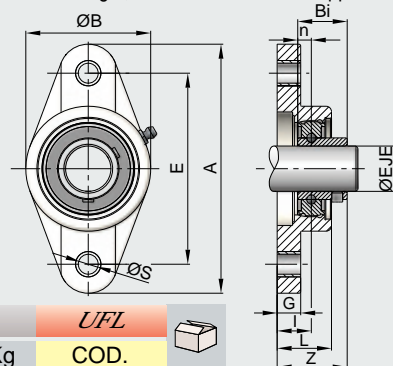
Dimensiones en mm. / Sizes in mm. / Measures in mm. / Abmessungen in mm.

ØEJE	A	E	G	P	L	ØS	Z	I	Bi	n	ØM	T	ØD	ØK	N	KG	UCF	COD.	
Ø20	86	63,5	13,4	47	27,8	11	35,7	18	24,7	7	50	23	52	32	7	0,35	312120A	10	
Ø25	95	70	14,3	48	28	11	36,5	17	27	7,5	55	25	62	37	7	0,40	312125A	10	
Ø30	107	83	14,3	56,5	31,5	11	41,5	19,2	30,3	8	64	30	72	42	7	0,55	312130A	5	
Ø35	118	92	15,5	61,4	34,8	13	45,9	21,5	32,9	8,5	74,5	32	82	47	7	0,80	312135A	4	
Ø40	130	102	17	68,5	37,5	14	49,5	23	35,5	9	84	37	88	52	7	1,00	312140A	4	

SOPORTE OVALADO UFL / OVAL SUPPORT UFL /
PALIER LOSANGE UFL STANDARD / FLANCSHLAGER 2-LOCH-BEFESTIGUNG SERIE UFL



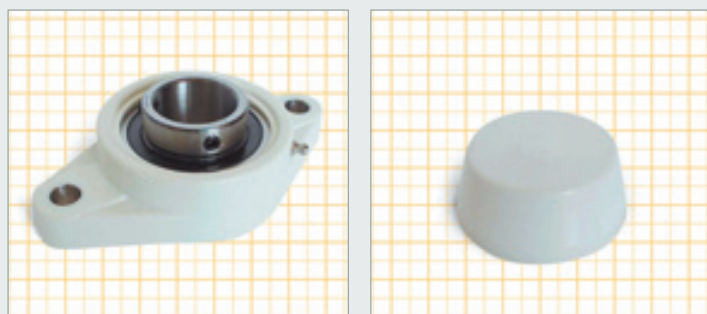
- M** Soporte en PBT, rodamiento acero, insertos en acero inoxidable. /
 Support in PBT, steel bearing, bushings in stainless steel. /
 Cage thermoplastique en PBT, roulements acier, inserts inox.
 Gehäuse in PBT. Stahl-läger, Buchsen und Schmiernippel in Edelstahl



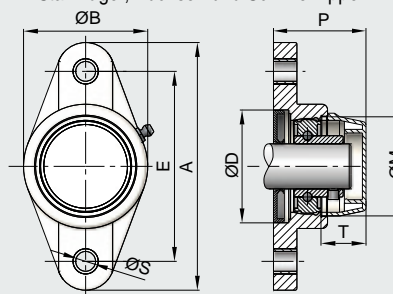
Dimensiones en mm. / Sizes in mm. / Measures in mm. / Abmessungen in mm.

ØEJE	A	E	G	L	ØS	Z	I	Bi	n	ØB	Kg	UFL	COD.	
Ø20	113	90	11,4	26,5	11	33,7	15,4	24,7	7	65	0,25	UFL	324120	10
Ø25	131	99	13,5	29,1	11	36,7	17	27	7,5	69,5	0,30	UFL	324125	10
Ø30	148	117	13,3	30,5	11	41,4	19	30,3	8	80	0,45	UFL	324130	5
Ø35	164	130	16,1	32,8	13	43,4	18	32,9	8,5	90	0,65	UFL	324135	5
Ø40	176	144	20	37,5	14	51,7	21,5	35,5	9	100	0,90	UFL	324140	4

SOPORTE OVALADO CON TAPA CERRADA UFL / OVAL SUPPORT WITH CLOSED COVER UFL /
PALIER LOSANGE UFL CAPOT FERMÉ / FLANCSHLAGER 2-LOCH-BEFESTIGUNG SERIE UFL
MIT SCHUTZKAPPE, GESCHLOSSEN



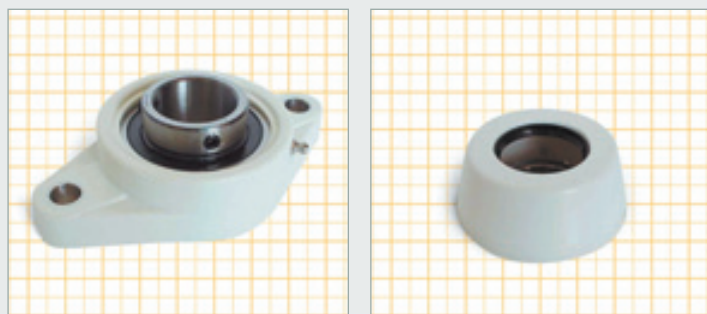
- M** Soporte en PBT, rodamiento acero, insertos en acero inoxidable. /
 Support in PBT, steel bearing, bushings in stainless steel. /
 Cage thermoplastique en PBT, roulements acier, inserts inox.
 Gehäuse in PBT. Stahl-läger, Buchsen und Schmiernippel in Edelstahl



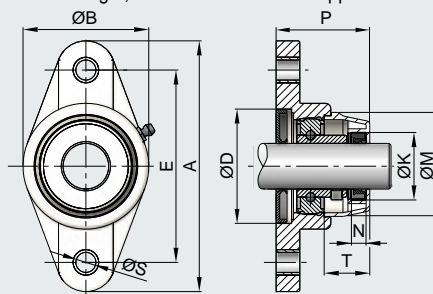
Dimensiones en mm. / Sizes in mm. / Measures in mm. / Abmessungen in mm.

ØEJE	A	E	G	P	L	ØS	Z	I	Bi	n	ØB	ØM	T	ØD	ØK	N	Kg	UFL	COD.	
Ø20	113	90	11,4	45,7	26,5	11	33,7	15,4	24,7	7	65	50	23	52	-	-	0,30	UFL	324120C	10
Ø25	131	99	13,5	49,3	29,1	11	36,7	17	27	7,5	69,5	55	25	62	-	-	0,35	UFL	324125C	10
Ø30	148	117	13,3	55,7	30,5	11	41,4	19	30,3	8	80	64	30	72	-	-	0,50	UFL	324130C	5
Ø35	164	130	16,1	59,4	32,8	13	43,4	18	32,9	8,5	90	74,5	32	82	-	-	0,70	UFL	324135C	5
Ø40	176	144	20	68,5	37,5	14	51,7	21,5	35,5	9	100	84	37	88	-	-	0,95	UFL	324140C	4

SOPORTE OVALADO CON TAPA ABIERTA UFL / OVAL SUPPORT WITH OPEN COVER UFL /
PALIER LOSANGE UFL CAPOT OUVERT / FLANCSHLAGER 2-LOCH-BEFESTIGUNG SERIE UFL
MIT SCHUTZKAPPE, OFFEN



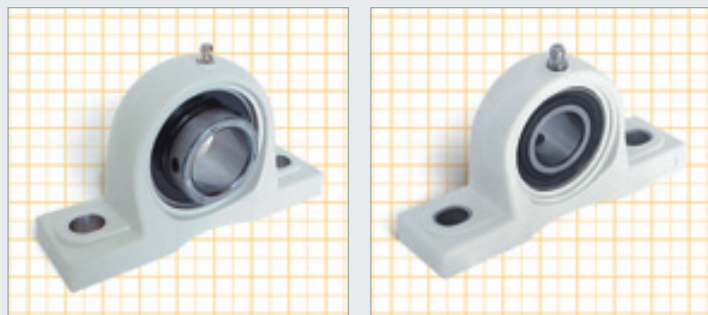
- M** Soporte en PBT, rodamiento acero, insertos en acero inoxidable. /
 Support in PBT, steel bearing, bushings in stainless steel. /
 Cage thermoplastique en PBT, roulements acier, inserts inox.
 Gehäuse in PBT. Stahl-läger, Buchsen und Schmiernippel in Edelstahl



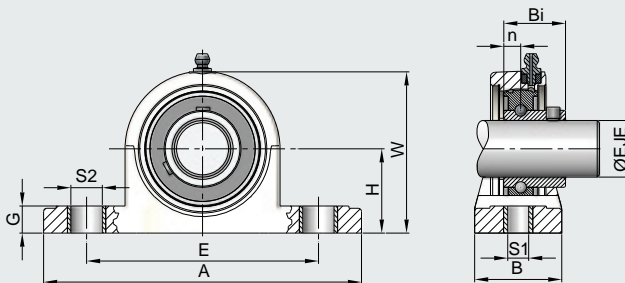
Dimensiones en mm. / Sizes in mm. / Measures in mm. / Abmessungen in mm.

ØEJE	A	E	G	P	L	ØS	Z	I	Bi	n	ØB	ØM	T	ØD	ØK	N	Kg	UFL	COD.	
Ø20	113	90	11,4	45,7	26,5	11	33,7	15,4	24,7	7	65	50	23	52	32	7	0,30	UFL	324120A	10
Ø25	131	99	13,5	49,3	29,1	11	36,7	17	27	7,5	69,5	55	25	62	37	7	0,35	UFL	324125A	10
Ø30	148	117	13,3	55,7	30,5	11	41,4	19	30,3	8	80	64	30	72	42	7	0,50	UFL	324130A	5
Ø35	164	130	16,1	59,4	32,8	13	43,4	18	32,9	8,5	90	74,5	32	82	47	7	0,70	UFL	324135A	5
Ø40	176	144	20	68,5	37,5	14	51,7	21,5	35,5	9	100	84	37	88	52	7	0,95	UFL	324140A	4

SOPORTE OMEGA UCP / OMEGA SUPPORT UCP
PALIER A SEMELLE UCP / STEHLAGER SERIE UCP



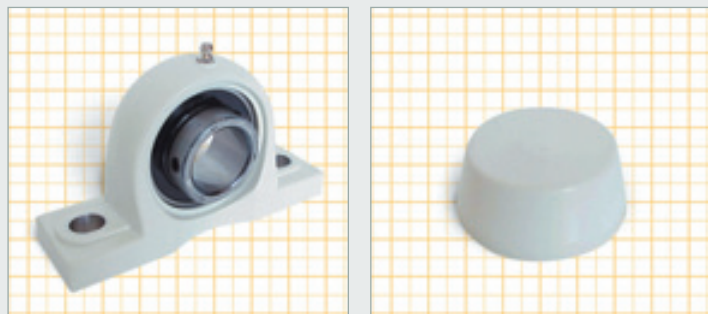
M Soporte en PBT, rodamiento acero, insertos en acero inoxidable. /
 Support in PBT, steel bearing, bushings in stainless steel. /
 Cage thermoplastique en PBT, roulements acier, inserts inox. /
 Gehäuse in PBT. Stahl-läger, Buchsen und Schmiernippel in Edelstahl



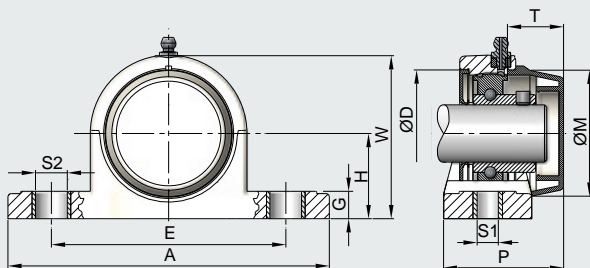
Dimensiones en mm. / Sizes in mm. / Measures in mm. / Abmessungen in mm.

ØEJE	H	A	E	B	S1	S2	G	W	Bi	n	KG	UCP	COD.	
Ø20	33,3	127	95	38	11	14	14,2	65,5	24,7	7	0,30	336120	10	
Ø25	36,5	140,5	105	38	11	14	14,5	71	27	7,5	0,35	336125	10	
Ø30	42,9	163	119	46	14	18	17,8	84	30,3	8	0,55	336130	5	
Ø35	47,6	168	127	48	14	18	18	94,5	32,9	8,5	0,80	336135	4	
Ø40	49,2	184	137	54	14	18	19,5	99	35,5	9	1,00	336140	4	

SOPORTE OMEGA CON TAPA CERRADA UCP / OMEGA SUPPORT WITH CLOSED COVER UCP
PALIER A SEMELLE UCP / CAPOT FERMÉ / STEHLAGER SERIE UCP MIT SCHUTZKAPPE, GESCHLOSSEN



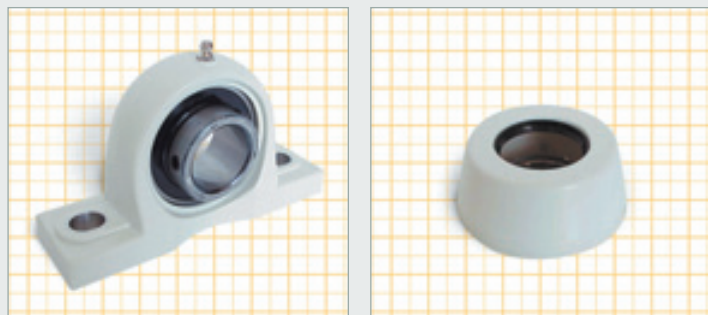
M Soporte en PBT, rodamiento acero, insertos en acero inoxidable. /
 Support in PBT, steel bearing, bushings in stainless steel. /
 Cage thermoplastique en PBT, roulements acier, inserts inox. /
 Gehäuse in PBT. Stahl-läger, Buchsen und Schmiernippel in Edelstahl



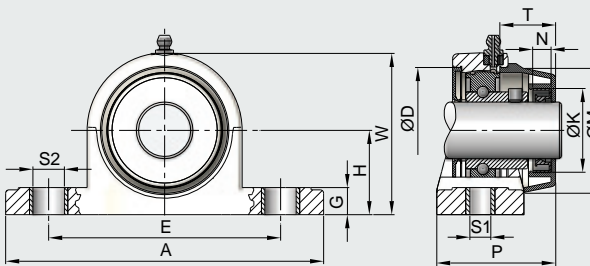
Dimensiones en mm. / Sizes in mm. / Measures in mm. / Abmessungen in mm.

ØEJE	P	H	A	E	B	S1	S2	G	W	Bi	n	ØM	T	ØD	ØK	N	KG	UCP	COD.	
Ø20	47	33,3	127	95	38	11	14	14,2	65,5	24,7	7	50	23	52	-	-	0,35	336120C	10	
Ø25	51	36,5	140,5	105	38	11	14	14,5	71	27	7,5	55	25	62	-	-	0,40	336125C	10	
Ø30	61	42,9	163	119	46	14	18	17,8	84	30,3	8	64	30	72	-	-	0,60	336130C	5	
Ø35	64	47,6	168	127	48	14	18	18	94,5	32,9	8,5	74,5	32	82	-	-	0,85	336135C	4	
Ø40	76	49,2	184	137	54	14	18	19,5	99	35,5	9	84	37	88	-	-	1,05	336140C	4	

SOPORTE OMEGA CON TAPA ABIERTA UCP / OMEGA SUPPORT WITH OPEN COVER UCP
PALIER A SEMELLE UCP / CAPOT OUVERT / STEHLAGER SERIE UCP MIT SCHUTZKAPPE, OFFEN



M Soporte en PBT, rodamiento acero, insertos en acero inoxidable. /
 Support in PBT, steel bearing, bushings in stainless steel. /
 Cage thermoplastique en PBT, roulements acier, inserts inox. /
 Gehäuse in PBT. Stahl-läger, Buchsen und Schmiernippel in Edelstahl

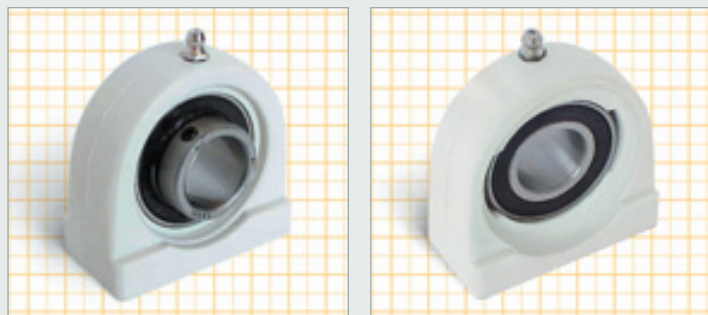


Dimensiones en mm. / Sizes in mm. / Measures in mm. / Abmessungen in mm.

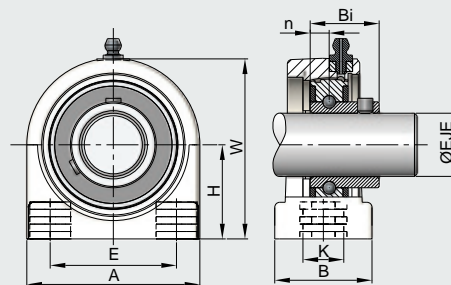
ØEJE	P	H	A	E	B	S1	S2	G	W	Bi	n	ØM	T	ØD	ØK	N	KG	UCP	COD.	
Ø20	47	33,3	127	95	38	11	14	14,2	65,5	24,7	7	50	23	52	32	7	0,35	336120A	10	
Ø25	51	36,5	140,5	105	38	11	14	14,5	71	27	7,5	55	25	62	37	7	0,40	336125A	10	
Ø30	61	42,9	163	119	46	14	18	17,8	84	30,3	8	64	30	72	42	7	0,60	336130A	5	
Ø35	64	47,6	168	127	48	14	18	18	94,5	32,9	8,5	74,5	32	82	47	7	0,85	336135A	4	
Ø40	76	49,2	184	137	54	14	18	19,5	99	35,5	9	84	37	88	52	7	1,05	336140A	4	

[E]

SOPORTE COMPACTO *UCPA* / COMPACT SUPPORT *UCPA*
 PALIER A SEMELLE *UCPA* COMPACTE / STEHLAGER SERIE *UCPA*

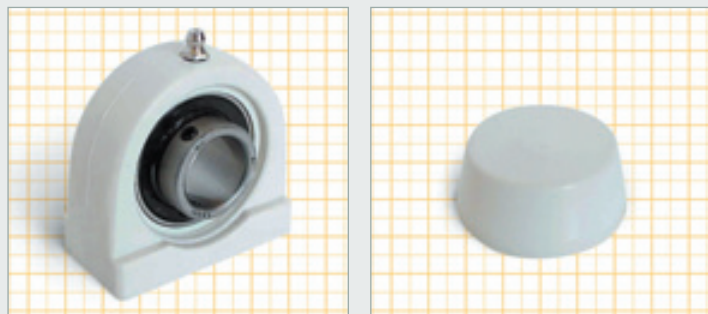


- M** Soporte en PBT, rodamiento acero, insertos en acero inoxidable. /
- Support in PBT, steel bearing, bushings in stainless steel. /
- Cage thermoplastique en PBT, roulements acier, inserts inox.
- Gehäuse in PBT. Stahl-läger, Buchsen und Schmiernippel in Edelstahl

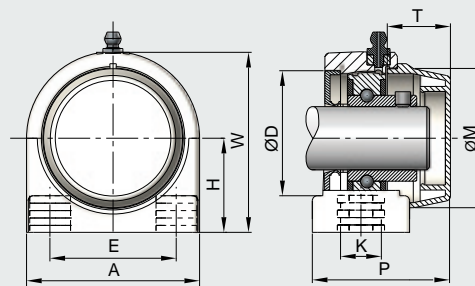


Dimensiones en mm. / Sizes in mm. / Measures in mm. / Abmessungen in mm.										<i>UCPA</i>	
ØEJE	H	A	E	B	K	W	Bi	n	Kg	COD.	
Ø20	33,3	72,8	50,8	34,5	M8	66	24,7	7	0,35	348120	10
Ø25	36,5	76,2	50,8	39,5	M10	73,5	27	7,5	0,40	348125	10
Ø30	42,9	101	76,2	42,5	M10	84	30,3	8	0,55	348130	5
Ø35	47,6	110	82,6	47,5	M10	95	32,9	8,5	0,80	348135	5
Ø40	49,2	120	88,9	48	M12	100,5	35,5	9	0,95	348140	4

SOPORTE COMPACTO CON TAPA CERRADA *UCPA* / COMPACT SUPPORT WITH CLOSED COVER *UCPA*
 PALIER A SEMELLE *UCPA* COMPACTE CAPOT FERMÉ / STEHLAGER SERIE *UCPA* MIT SCHUTZKAPPE, GESCHLOSSEN

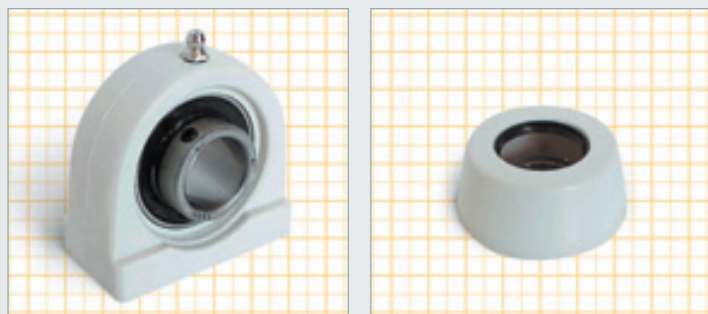


- M** Soporte en PBT, rodamiento acero, insertos en acero inoxidable. /
- Support in PBT, steel bearing, bushings in stainless steel. /
- Cage thermoplastique en PBT, roulements acier, inserts inox.
- Gehäuse in PBT. Stahl-läger, Buchsen und Schmiernippel in Edelstahl

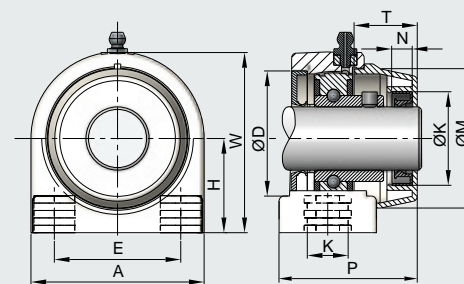


Dimensiones en mm. / Sizes in mm. / Measures in mm. / Abmessungen in mm.													<i>UCPA</i>				
ØEJE	P	H	A	E	B	K	W	Bi	n	ØM	T	ØD	ØK	N	Kg	COD.	
Ø20	50	33,3	72,8	50,8	34,5	M8	66	24,7	7	50	23	52	-	-	0,40	348120C	10
Ø25	55	36,5	76,2	50,8	39,5	M10	73,5	27	7,5	55	25	62	-	-	0,45	348125C	10
Ø30	63	42,9	101	76,2	42,5	M10	84	30,3	8	64	30	72	-	-	0,60	348130C	5
Ø35	70	47,6	110	82,6	47,5	M10	95	32,9	8,5	74,5	32	82	-	-	0,85	348135C	5
Ø40	74	49,2	120	88,9	48	M12	100,5	35,5	9	84	37	88	-	-	1,00	348140C	4

SOPORTE COMPACTO CON TAPA ABIERTA *UCPA* / COMPACT SUPPORT WITH OPEN COVER *UCPA*
 PALIER A SEMELLE *UCPA* COMPACTE CAPOT OUVERT / STEHLAGER SERIE *UCPA* MIT SCHUTZKAPPE, OFFEN

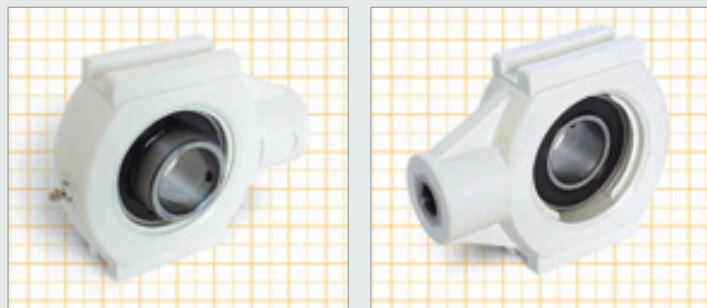


- M** Soporte en PBT, rodamiento acero, insertos en acero inoxidable. /
- Support in PBT, steel bearing, bushings in stainless steel. /
- Cage thermoplastique en PBT, roulements acier, inserts inox.
- Gehäuse in PBT. Stahl-läger, Buchsen und Schmiernippel in Edelstahl

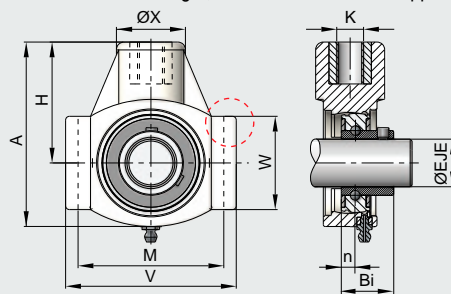


Dimensiones en mm. / Sizes in mm. / Measures in mm. / Abmessungen in mm.													<i>UCPA</i>				
ØEJE	P	H	A	E	B	K	W	Bi	n	ØM	T	ØD	ØK	N	Kg	COD.	
Ø20	50	33,3	72,8	50,8	34,5	M8	66	24,7	7	50	23	52	32	7	0,40	348120A	10
Ø25	55	36,5	76,2	50,8	39,5	M10	73,5	27	7,5	55	25	62	37	7	0,45	348125A	10
Ø30	63	42,9	101	76,2	42,5	M10	84	30,3	8	64	30	72	42	7	0,60	348130A	5
Ø35	70	47,6	110	82,6	47,5	M10	95	32,9	8,5	74,5	32	82	47	7	0,85	348135A	5
Ø40	74	49,2	120	88,9	48	M12	100,5	35,5	9	84	37	88	52	7	1,00	348140A	4

SOPORTE TENSOR CON GUÍA *UCHP* / TENSILE SUPPORT WITH GUIDE *UCHP*
 PALIER TENDEUR *UCHPAVEC* RAINURE DE GUIDAGE /
 SPANNLAGER MIT GERAD-FÜHRUNG SERIE *UCHP*

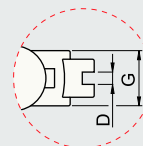


M Soporte en PBT, rodamiento acero, insertos en acero inoxidable. /
 Support in PBT, steel bearing, bushings in stainless steel. /
 Cage thermoplastique en PBT, roulements acier, inserts inox.
 Gehäuse in PBT. Stahl-läger, Buchsen und Schmiernippel in Edelstahl

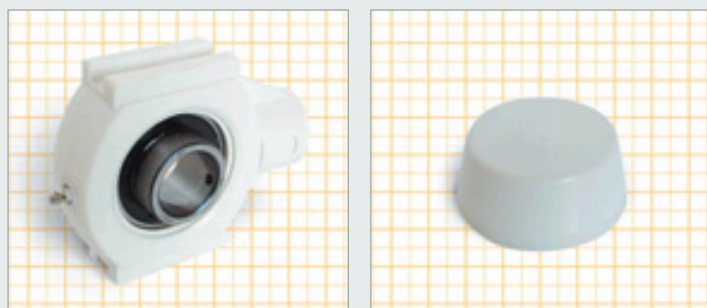


Dimensiones en mm. / Sizes in mm. / Measures in mm. / Abmessungen in mm.

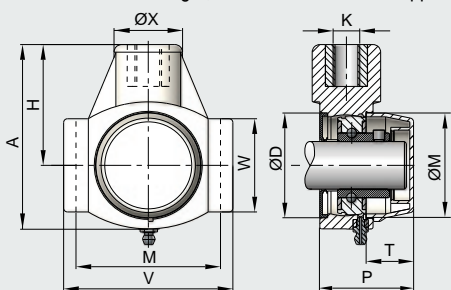
ØEJE	H	A	D	ØX	V	W	M	G	K	Bi	n	Kg	<i>UCHP</i>	
													COD.	
Ø20	64	99	12	36	89	47	76	27,5	M16	24,7	7	0,35	351120	10
Ø25	64	99	12	36	89	47	76	27,5	M16	27	7,5	0,40	351125	10
Ø30	76	125	12	40	102,5	63	89	34,5	M16	30,3	8	0,55	351130	5
Ø35	76	125	12	40	102,5	63	89	34,5	M16	32,9	8,5	0,80	351135	5
Ø40	85	140	16	40	113	80	102	34,5	M16	35,5	9	0,90	351140	4



SOPORTE TENSOR CON GUÍA CON TAPA CERRADA *UCHP*
 TENSILE SUPPORT WITH GUIDE AND CLOSED COVER *UCHP*
 PALIER TENDEUR *UCHPAVEC* RAINURE DE GUIDAGE CAPOT FERMÉ
 SPANNLAGER MIT GERAD-FÜHRUNG SERIE *UCHP* MIT SCHUTZKAPPE, GESCHLOSSEN



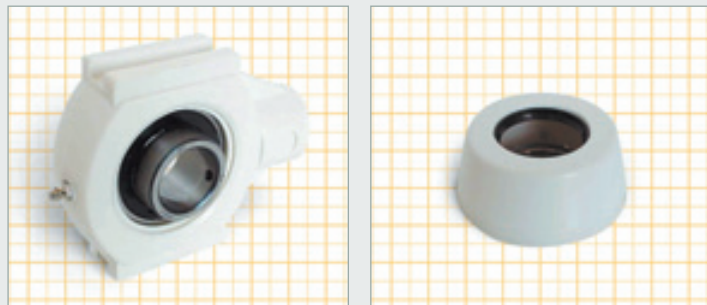
M Soporte en PBT, rodamiento acero, insertos en acero inoxidable. /
 Support in PBT, steel bearing, bushings in stainless steel. /
 Cage thermoplastique en PBT, roulements acier, inserts inox.
 Gehäuse in PBT. Stahl-läger, Buchsen und Schmiernippel in Edelstahl



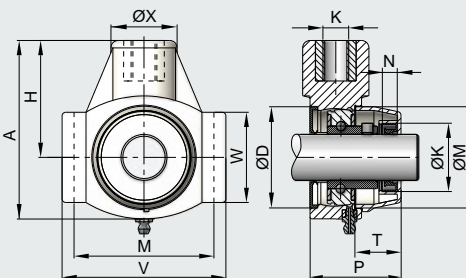
Dimensiones en mm. / Sizes in mm. / Measures in mm. / Abmessungen in mm.

ØEJE	P	H	A	D	ØX	V	W	M	G	K	Bi	n	ØM	T	ØD	ØK	N	Kg	<i>UCHP</i>	
																			COD.	
Ø20	49	64	99	12	36	89	47	76	27,5	M16	24,7	7	50	23	52	-	-	0,40	351120C	10
Ø25	51	64	99	12	36	89	47	76	27,5	M16	27	7,5	55	25	62	-	-	0,45	351125C	10
Ø30	60	76	125	12	40	102,5	63	89	34,5	M16	30,3	8	64	30	72	-	-	0,60	351130C	5
Ø35	65	76	125	12	40	102,5	63	89	34,5	M16	32,9	8,5	74,5	32	82	-	-	0,85	351135C	5
Ø40	68	85	140	16	40	113	80	102	34,5	M16	35,5	9	84	37	88	-	-	0,95	351140C	4

SOPORTE TENSOR CON GUÍA CON TAPA ABIERTA *UCHP*
 TENSILE SUPPORT WITH GUIDE AND OPEN COVER *UCHP*
 PALIER TENDEUR *UCHPAVEC* RAINURE DE GUIDAGE CAPOT OUVERT
 SPANNLAGER MIT GERAD-FÜHRUNG SERIE *UCHP* MIT SCHUTZKAPPE, OFFEN



M Soporte en PBT, rodamiento acero, insertos en acero inoxidable. /
 Support in PBT, steel bearing, bushings in stainless steel. /
 Cage thermoplastique en PBT, roulements acier, inserts inox.
 Gehäuse in PBT. Stahl-läger, Buchsen und Schmiernippel in Edelstahl

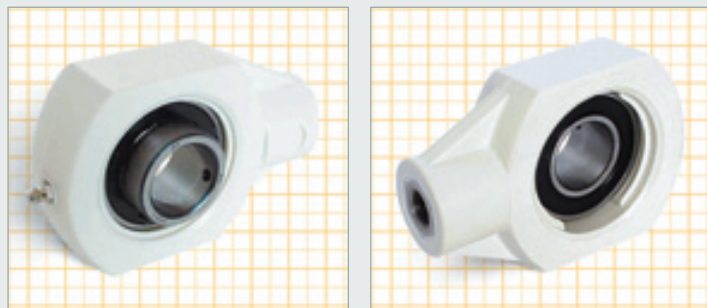


Dimensiones en mm. / Sizes in mm. / Measures in mm. / Abmessungen in mm.

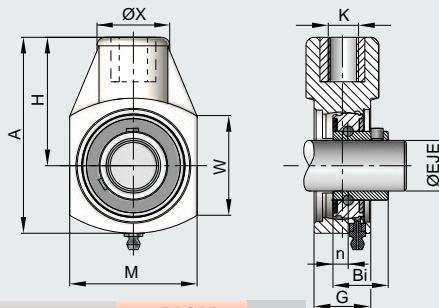
ØEJE	P	H	A	D	ØX	V	W	M	G	K	Bi	n	ØM	T	ØD	ØK	N	Kg	<i>UCHP</i>	
																			COD.	
Ø20	49	64	99	12	36	89	47	76	27,5	M16	24,7	7	50	23	52	32	7	0,40	351120A	10
Ø25	51	64	99	12	36	89	47	76	27,5	M16	27	7,5	55	25	62	37	7	0,45	351125A	10
Ø30	60	76	125	12	40	102,5	63	89	34,5	M16	30,3	8	64	30	72	42	7	0,60	351130A	5
Ø35	65	76	125	12	40	102,5	63	89	34,5	M16	32,9	8,5	74,5	32	82	47	7	0,85	351135A	5
Ø40	68	85	140	16	40	113	80	102	34,5	M16	35,5	9	84	37	88	52	7	0,95	351140A	4

E

SOPORTE TENSOR SIN GUÍA UCH / TENSILE SUPPORT WITHOUT GUIDE UCH
 PALIER TENDEUR UCH SANS RAINURE STANDARD / HÄNGELAGER OHNE GERAD-FÜHRUNG SERIE UCH

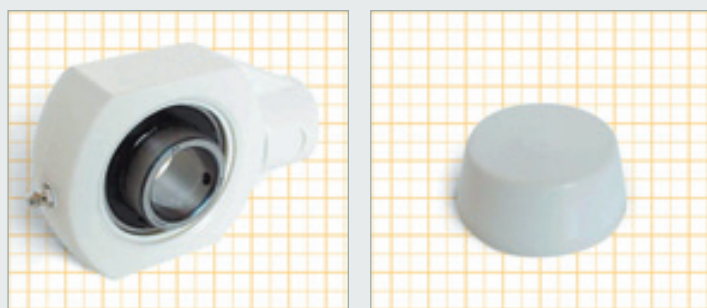


M Soporte en PBT, rodamiento acero, insertos en acero inoxidable. / Support in PBT, steel bearing, bushings in stainless steel. / Cage thermoplastique en PBT, roulements acier, inserts inox. / Gehäuse in PBT. Stahl-läger, Buchsen und Schmiernippel in Edelstahl

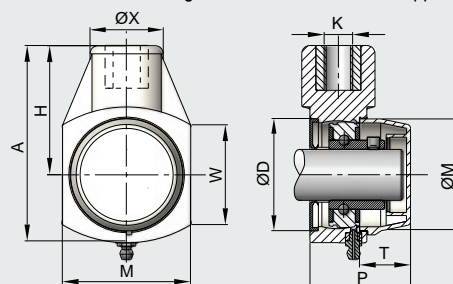


Dimensiones en mm. / Sizes in mm. / Measures in mm. / Abmessungen in mm.											UCH		
ØEJE	H	A	ØX	M	W	G	K	Bi	n	Kg	COD.		
Ø20	64	99	36	65	47	27,5	M16	24,7	7	0,35	362120	10	
Ø25	64	99	36	74	47	27,5	M16	27	7,5	0,40	362125	10	
Ø30	76	125	40	90	63	34,5	M16	30,3	8	0,55	362130	5	
Ø35	76	125	40	90	63	34,5	M16	32,9	8,5	0,80	362135	5	
Ø40	85	140	40	100	80	34,5	M16	35,5	9	0,95	362140	4	

SOPORTE TENSOR SIN GUÍA CON TAPA CERRADA UCH / TENSILE SUPPORT WITHOUT GUIDE WITH CLOSED COVER UCH
 PALIER TENDEUR UCH SANS RAINURE STANDARD CAPOT FERMÉ / HÄNGELAGER OHNE GERAD-FÜHRUNG SERIE UCH MIT SCHUTZKAPPE, GESCHLOSSEN

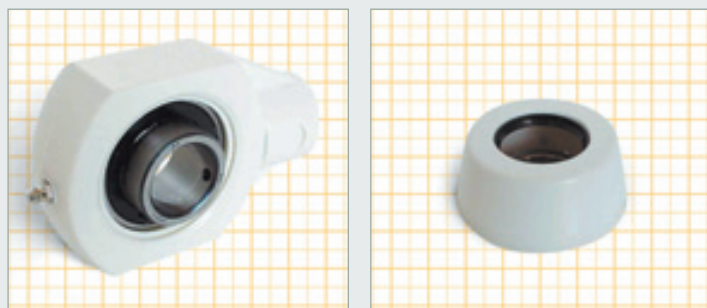


M Soporte en PBT, rodamiento acero, insertos en acero inoxidable. / Support in PBT, steel bearing, bushings in stainless steel. / Cage thermoplastique en PBT, roulements acier, inserts inox. / Gehäuse in PBT. Stahl-läger, Buchsen und Schmiernippel in Edelstahl

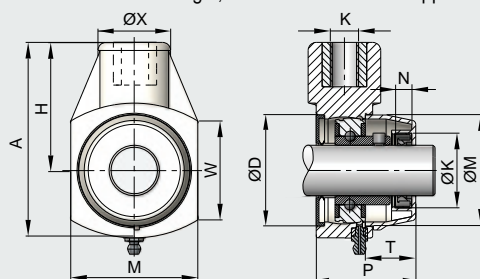


Dimensiones en mm. / Sizes in mm. / Measures in mm. / Abmessungen in mm.																	UCH		
ØEJE	P	H	A	ØX	M	W	G	K	Bi	n	ØM	T	ØD	ØK	N	Kg	COD.		
Ø20	49	64	99	36	65	47	27,5	M16	24,7	7	50	23	52	-	-	0,40	362120C	10	
Ø25	51	64	99	36	74	47	27,5	M16	27	7,5	55	25	62	-	-	0,45	362125C	10	
Ø30	60	76	125	40	90	63	34,5	M16	30,3	8	64	30	72	-	-	0,60	362130C	5	
Ø35	65	76	125	40	90	63	34,5	M16	32,9	8,5	74,5	32	82	-	-	0,80	362135C	5	
Ø40	68	85	140	40	100	80	34,5	M16	35,5	9	84	37	88	-	-	1,00	362140C	4	

SOPORTE TENSOR SIN GUÍA CON TAPA ABIERTA UCH / TENSILE SUPPORT WITHOUT GUIDE WITH OPEN COVER UCH
 PALIER TENDEUR UCH SANS RAINURE STANDARD CAPOT OUVERT / HÄNGELAGER OHNE GERAD-FÜHRUNG SERIE UCH MIT SCHUTZKAPPE, OFFEN

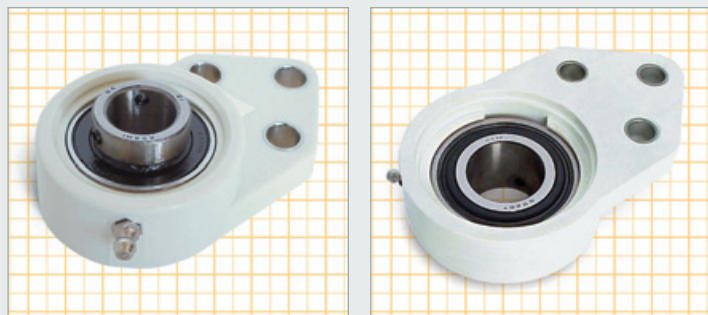


M Soporte en PBT, rodamiento acero, insertos en acero inoxidable. / Support in PBT, steel bearing, bushings in stainless steel. / Cage thermoplastique en PBT, roulements acier, inserts inox. / Gehäuse in PBT. Stahl-läger, Buchsen und Schmiernippel in Edelstahl

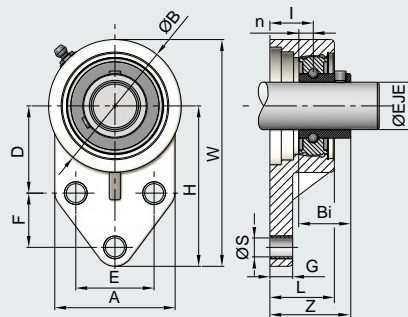


Dimensiones en mm. / Sizes in mm. / Measures in mm. / Abmessungen in mm.																	UCH		
ØEJE	P	H	A	ØX	M	W	G	K	Bi	n	ØM	T	ØD	ØK	N	Kg	COD.		
Ø20	49	64	99	36	65	47	27,5	M16	24,7	7	50	23	52	32	7	0,40	362120A	10	
Ø25	51	64	99	36	74	47	27,5	M16	27	7,5	55	25	62	37	7	0,45	362125A	10	
Ø30	60	76	125	40	90	63	34,5	M16	30,3	8	64	30	72	42	7	0,60	362130A	5	
Ø35	65	76	125	40	90	63	34,5	M16	32,9	8,5	74,5	32	82	47	7	0,80	362135A	5	
Ø40	68	85	140	40	100	80	34,5	M16	35,5	9	84	37	88	52	7	1,00	362140A	4	

SOPORTE CABEZAL TENSOR *SQL* / HEAD TENSILE SUPPORT *SQL*
 PALIER *SQL* STANDARD / FLANSLAGER SERIE *SQL*

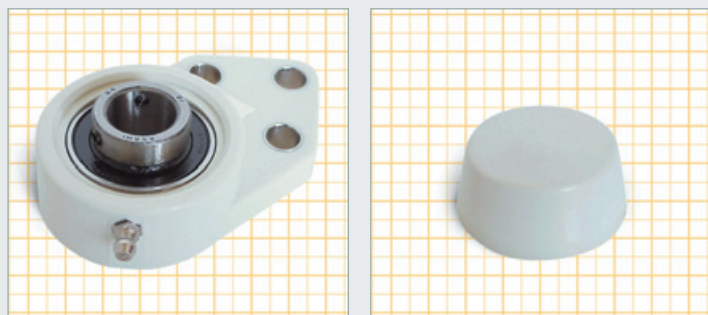


- M** Soporte en PBT, rodamiento acero, insertos en acero inoxidable. / Support in PBT, steel bearing, bushings in stainless steel. / Cage thermoplastique en PBT, roulements acier, inserts inox. Gehäuse in PBT. Stahl-läger, Buchsen und Schmiernippel in Edelstahl

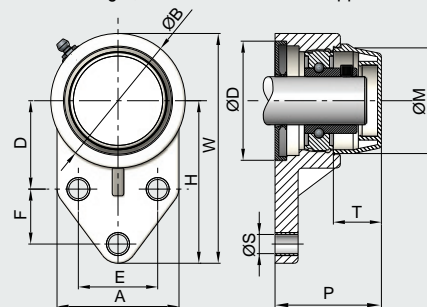


Dimensiones en mm. / Sizes in mm. / Mesures en mm. / Abmessungen in mm.																	<i>SQL</i>	
ØEJE	H	A	E	ØB	ØS	Z	L	G	W	D	F	I	Bi	n	Kg	COD.		
Ø20	76,2	62	38,1	63,5	10,7	33,1	26,5	11,4	108	42,9	22,2	15,4	24,7	7	0,25	383120	10	
Ø25	85,7	63,5	41,3	70	10,7	41,0	34	11,4	120,6	46	28,6	21,5	27	7,5	0,30	383125	10	
Ø30	96,5	76	47,6	83	10,7	41,6	32	13,3	138,5	52,4	31,8	19,3	30,3	8	0,45	383130	5	
Ø35	109,5	89	50,8	95	13,1	46,6	36,5	16,1	157	60,3	31,8	21,7	32,9	8,5	0,65	383135	5	

SOPORTE CABEZAL TENSOR CON TAPA CERRADA *SQL*
 HEAD TENSILE SUPPORT WITH CLOSED COVER *SQL*
 PALIER *SQL* STANDARD CAPOT FERME
 FLANSLAGER SERIE *SQL* MIT SCHUTZKAPPE, GESCHLOSSEN

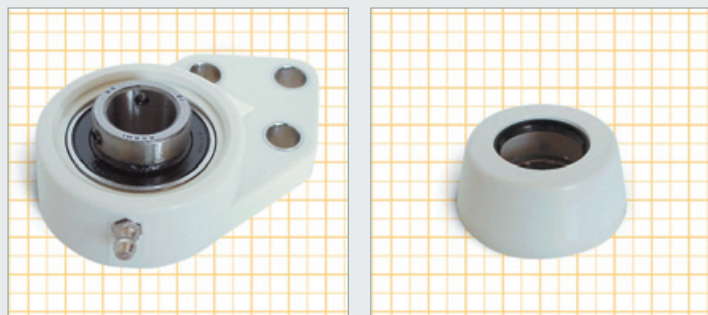


- M** Soporte en PBT, rodamiento acero, insertos en acero inoxidable. / Support in PBT, steel bearing, bushings in stainless steel. / Cage thermoplastique en PBT, roulements acier, inserts inox. Gehäuse in PBT. Stahl-läger, Buchsen und Schmiernippel in Edelstahl

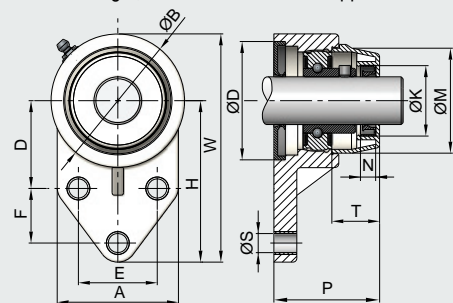


Dimensiones en mm. / Sizes in mm. / Mesures en mm. / Abmessungen in mm.																	<i>SQL</i>					
ØEJE	H	P	A	E	ØB	ØS	Z	L	G	W	D	F	I	n	ØM	T	ØD	ØK	N	Kg	COD.	
Ø20	76,2	45,7	62	38,1	63,5	10,7	33,1	26,5	11,4	108	42,9	22,2	15,4	7	50	23	52	-	-	0,30	383120C	10
Ø25	85,7	54,2	63,5	41,3	70	10,7	41,0	34	11,4	120,6	46	28,6	21,5	7,5	55	25	62	-	-	0,35	383125C	10
Ø30	96,5	58,6	76	47,6	83	10,7	41,6	32	13,3	138,5	52,4	31,8	19,3	8	64	30	72	-	-	0,50	383130C	5
Ø35	109,5	67,7	89	50,8	95	13,1	46,6	36,5	16,1	157	60,3	31,8	21,7	8,5	74,5	32	82	-	-	0,70	383135C	5

SOPORTE CABEZAL TENSOR CON TAPA ABIERTA *SQL*
 HEAD TENSILE SUPPORT WITH OPEN COVER *SQL*
 PALIER *SQL* STANDARD CAPOT OUVERT
 FLANSLAGER SERIE *SQL* MIT SCHUTZKAPPE, OFFEN



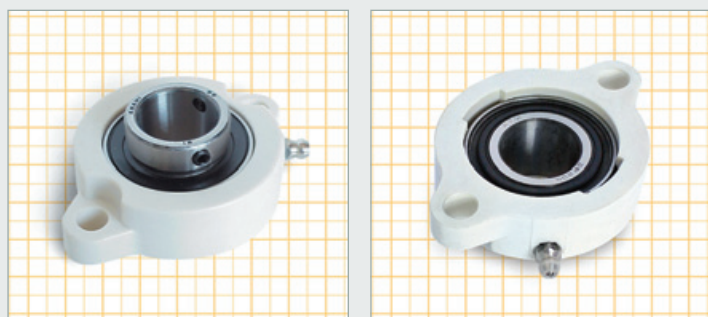
- M** Soporte en PBT, rodamiento acero, insertos en acero inoxidable. / Support in PBT, steel bearing, bushings in stainless steel. / Cage thermoplastique en PBT, roulements acier, inserts inox. Gehäuse in PBT. Stahl-läger, Buchsen und Schmiernippel in Edelstahl



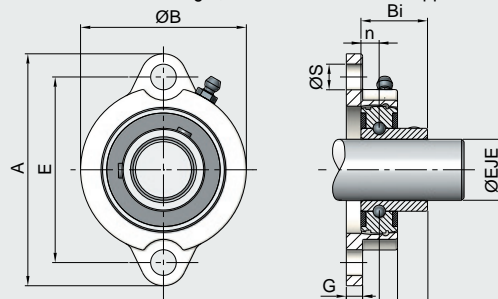
Dimensiones en mm. / Sizes in mm. / Mesures en mm. / Abmessungen in mm.																	<i>SQL</i>					
ØEJE	H	P	A	E	ØB	ØS	Z	L	G	W	D	F	I	n	ØM	T	ØD	ØK	N	Kg	COD.	
Ø20	76,2	45,7	62	38,1	63,5	10,7	33,1	26,5	11,4	108	42,9	22,2	15,4	7	50	23	52	32	7	0,30	383120A	10
Ø25	85,7	54,2	63,5	41,3	70	10,7	41,0	34	11,4	120,6	46	28,6	21,5	7,5	55	25	62	37	7	0,35	383125A	10
Ø30	96,5	58,6	76	47,6	83	10,7	41,6	32	13,3	138,5	52,4	31,8	19,3	8	64	30	72	42	7	0,50	383130A	5
Ø35	109,5	67,7	89	50,8	95	13,1	46,6	36,5	16,1	157	60,3	31,8	21,7	8,5	74,5	32	82	47	7	0,70	383135A	5

E7

SOPORTE OVALADO MINI UFL-M / MINI OVAL SUPPORT UFL-M
PALIER LOSANGE MINI UFL-M / KLEIN-FLANCSHLAGER 2-LOCH-BEFESTIGUNG SERIE UFL-M



M Soporte en PBT, rodamiento acero, insertos en acero inoxidable. / Support in PBT, steel bearing, bushings in stainless steel. / Cage thermoplastique en PBT, roulements acier, inserts inox. / Gehäuse in PBT. Stahl-läger, Buchsen und Schmiernippel in Edelstahl

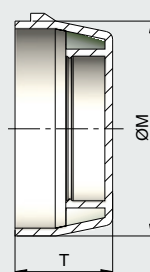
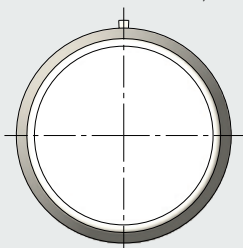
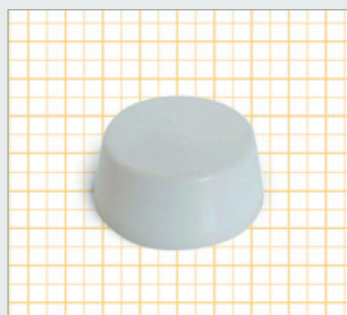


Dimensiones en mm. / Dimensions in mm. / Dimensions en mm. / dimensionen aus mm.

ØEJE	A	E	G	I	ØS	Z	L	ØB	Bi	n	Kg	UFL-M	COD.	
Ø20	90	71	11	11,2	9	28,7	17,7	Ø63	24,7	7	0,30		375120	10
Ø25	95	76	11	11,5	10	30,8	19,5	Ø69	27	7,5	0,35		375125	10

ACCESORIOS / ACCESORIES

TAPA CERRADA / CLOSED COVER / CAPOT FERMÉ / SCHUTZKAPPE, GESCHLOSSEN



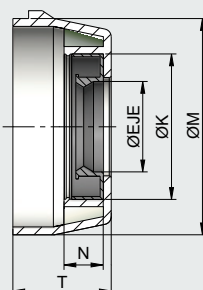
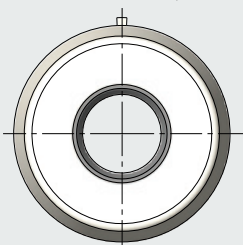
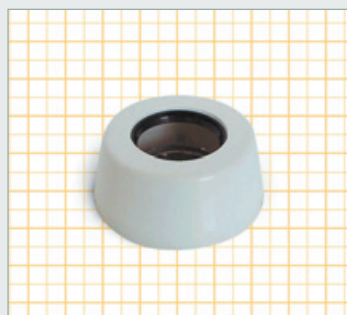
M Polipropileno. / Polypropylene. / Polypropylène. / Polypropylen.

A utilizar con modelos:
Use with models:
Utiliser avec modèles:
Modelle zu verwenden:

} UCF, UFL, UCP, UCPA, UCHP, UCH, SQL

ØEJE	ØK	ØM	T	N	Kg	COD.	
Ø20	-	50	23	-	0,01	393120C	5
Ø25	-	55	25	-	0,01	393125C	
Ø30	-	64	30	-	0,01	393130C	
Ø35	-	74,5	32	-	0,01	393135C	
Ø40	-	84	37	-	0,01	393140C	

TAPA ABIERTA / OPEN COVER / CAPOT OUVERT / SCHUTZKAPPE, OFFEN



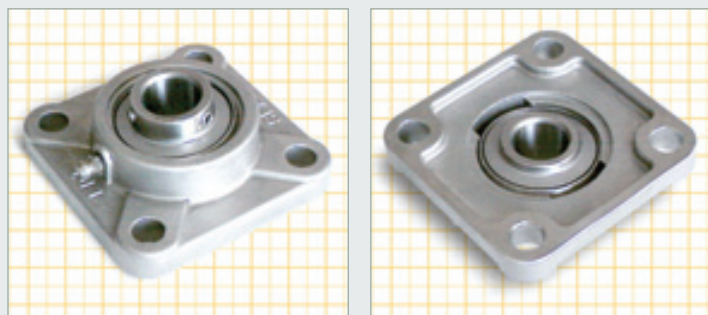
M Polipropileno. / Polypropylene. / Polypropylène. / Polypropylen.

A utilizar con modelos:
Use with models:
Utiliser avec modèles:
Modelle zu verwenden:

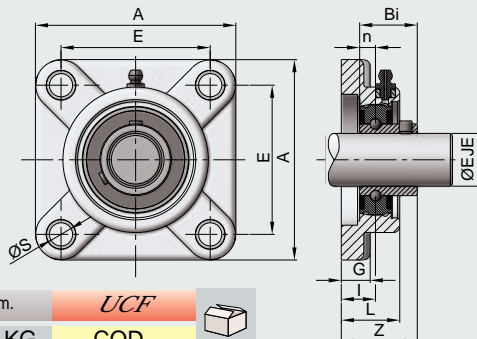
} UCF, UFL, UCP, UCPA, UCHP, UCH, SQL

ØEJE	ØK	ØM	T	N	Kg	COD.	
Ø20	32	50	23	7	0,01	393120A	5
Ø25	37	55	25	7	0,01	393125A	
Ø30	42	64	30	7	0,01	393130A	
Ø35	47	74,5	32	7	0,01	393135A	
Ø40	52	84	37	7	0,01	393140A	

SOPORTE CUADRADO *UCF* / SQUARE SUPPORT *UCF*
 PALIER CARRÉ *UCF* STANDARD / EDELSTAHL-FLANSLAGER 4-LOCH-BEFESTIGUNG SERIE *UCF*

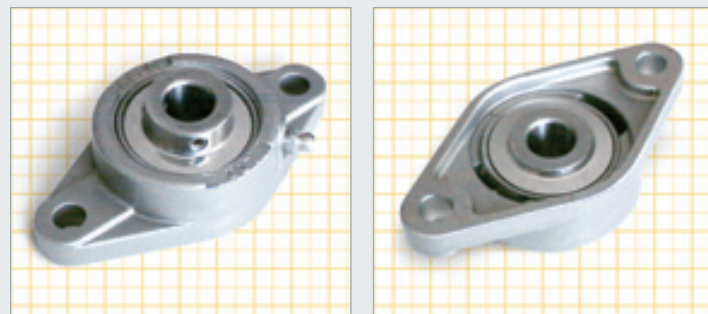


M Soporte y rodamiento Acero inoxidable. /
 Support and bearing Stainless Steel. /
 Cage inox. roulements inox.
 Gehäuse, Buchsen und Schmiernippel in Edelstahl

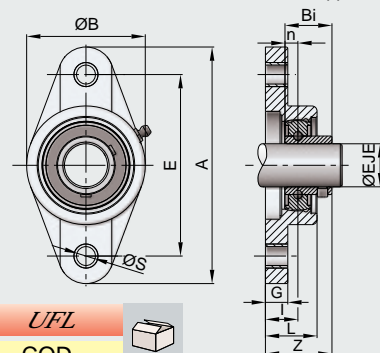


Dimensiones en mm. / Sizes in mm. / Measures en mm. / Abmessungen in mm.									<i>UCF</i>		
ØEJE	A	E	G	L	ØS	Z	I	KG	COD.		
Ø20	86	63,5	11	25	12	33,3	15	0,60	312120MTSS	10	
Ø25	95	70	13	26,5	12	35,8	16	0,70	312125MTSS	10	
Ø30	108	82,5	13	30	15	40,2	18	1,00	312130MTSS	5	
Ø35	117	92	14	33	15	44,4	19	1,50	312135MTSS	4	
Ø40	130	101,5	14	36	15	51,2	21	1,90	312140MTSS	4	

SOPORTE OVALADO *UFL* / OVAL SUPPORT *UFL*
 PALIER LOSANGE *UFL* STANDARD / EDELSTAHL-FLANSLAGER 2-LOCH-BEFESTIGUNG SERIE *UFL*

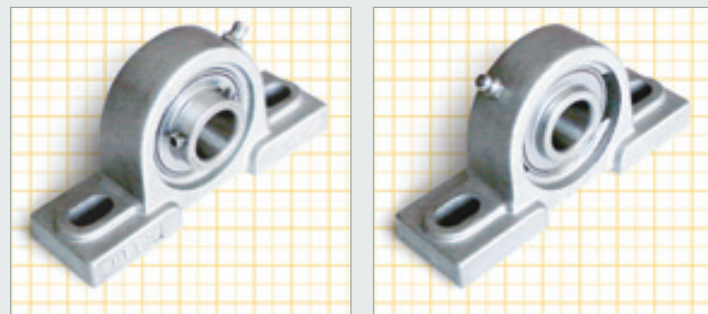


M Soporte y rodamiento Acero inoxidable. /
 Support and bearing Stainless Steel. /
 Cage inox. roulements inox.
 Gehäuse, Buchsen und Schmiernippel in Edelstahl

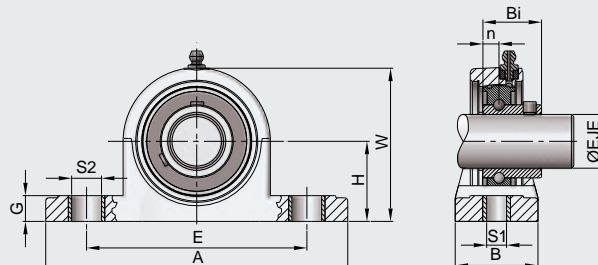


Dimensiones en mm. / Sizes in mm. / Measures en mm. / Abmessungen in mm.										<i>UFL</i>		
ØEJE	A	E	G	L	ØS	Z	I	ØB	Kg	COD.		
Ø20	112	90	11	25	12	33,2	15	60	0,45	324120MTSS	10	
Ø25	124	99	13	26,5	12	35,8	16	68	0,55	324125MTSS	10	
Ø30	141	116,5	13	30	15	40,2	18	80	0,80	324130MTSS	5	
Ø35	155,5	130	14	33	15	44,4	19	90	1,20	324135MTSS	5	
Ø40	171,5	143,5	14	36	15	51,2	21	100	1,60	324140MTSS	4	

SOPORTE OMEGA *UCP* / OMEGA SUPPORT *UCP*
 PALIER A SEMELLE *UCP* / EDELSTAHL-STEHLAGER SERIE *UCP*



M Soporte y rodamiento Acero inoxidable. /
 Support and bearing Stainless Steel. /
 Cage inox. roulements inox.
 Gehäuse, Buchsen und Schmiernippel in Edelstahl



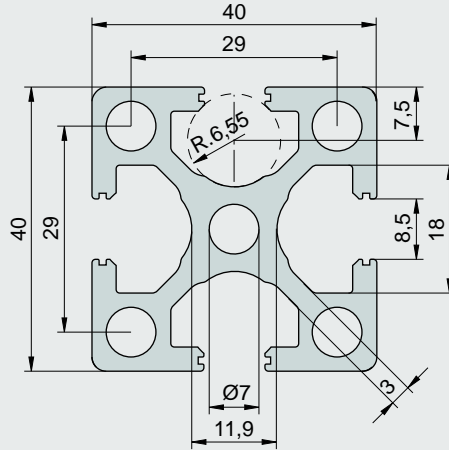
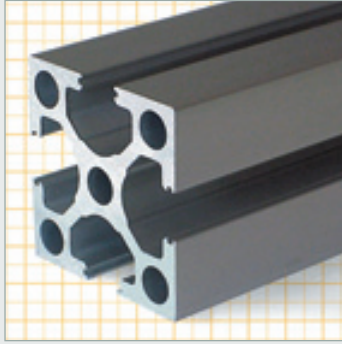
Dimensiones en mm. / Sizes in mm. / Measures en mm. / Abmessungen in mm.												<i>UCP</i>		
ØEJE	H	A	E	B	S1	S2	G	W	Bi	n	KG	COD.		
Ø20	33,3	127	95	38	12	19	15	65	31	12,7	0,75	336120MTSS	10	
Ø25	36,5	140	105	38	12	19	16	70	34,1	14,3	0,85	336125MTSS	10	
Ø30	42,9	165	121	48	15	21	18	83	38,1	15,9	1,40	336130MTSS	5	
Ø35	47,6	167	127	48	15	21	19	94	42,9	17,5	2,00	336135MTSS	4	
Ø40	49,2	184	137	54	15	23	19	100	49,2	19	2,50	336140MTSS	4	

[E]

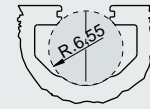


**ALUMINIO
ALUMINIUM
ALUMINIUM
ALUMINIUM**

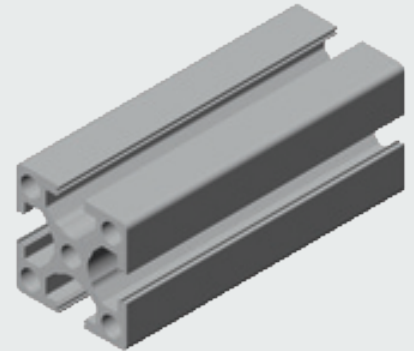
PERFIL 40 X40, ABIERTO A CUATRO CARAS. 77.020 / PROFILE 40 X40, OPEN ON FOUR SIDES. 77.020 / PROFIL 40 X40, OUVERT DES QUATRE CÔTÉS. 77.020 / PROFIL 40 X40 OFFEN AUF VIER SEITE. 77.020



- M** Aluminio anodizado plata. Silver anodized aluminium. Aluminium anodisé. Eloxiertes Aluminium



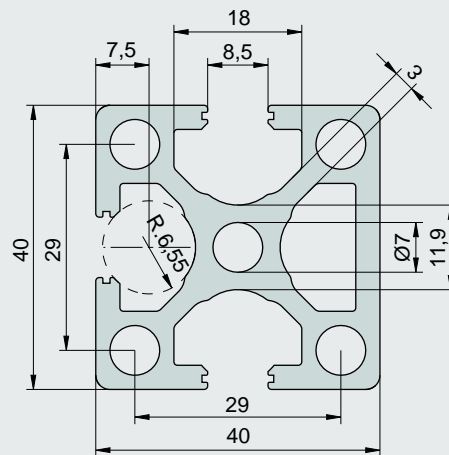
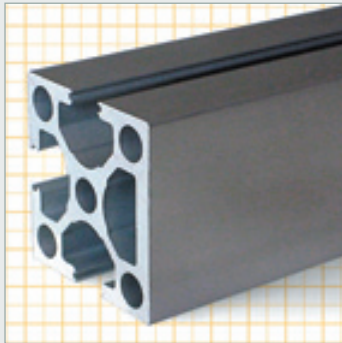
Serie 40 / Series 40



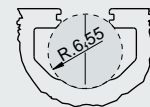
$I_x = 10,17 \text{ cm}^4$	$W_x = 5,08 \text{ cm}^3$
$I_y = 10,17 \text{ cm}^4$	$W_y = 5,08 \text{ cm}^3$

Longitud / Length Longueur / Länge	Kg/m	COD.
3 m	1,73	7702015
6 m	1,73	7702020

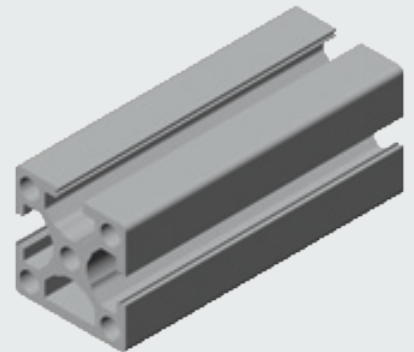
PERFIL 40 X40, ABIERTO A TRES CARAS. 77.021 / PROFILE 40 X40, OPEN ON THREE SIDES. 77.021 / PROFIL 40 X40, EUVERT PAR TROIS CÔTÉS. 77.021 / PROFIL 40 X40 OFFEN AUF DREI SEITE. 77.021



- M** Aluminio anodizado plata. Silver anodized aluminium. Aluminium anodisé. Eloxiertes Aluminium



Serie 40 / Series 40




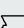


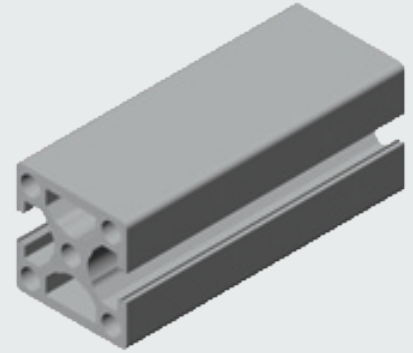
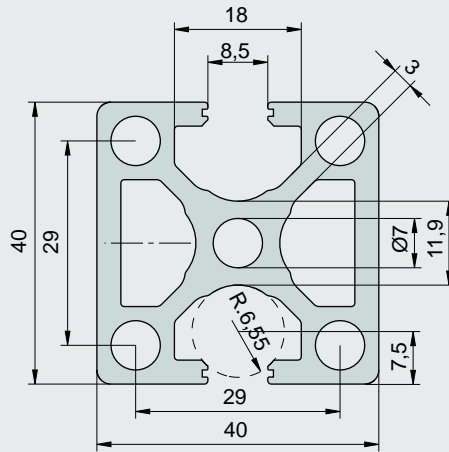
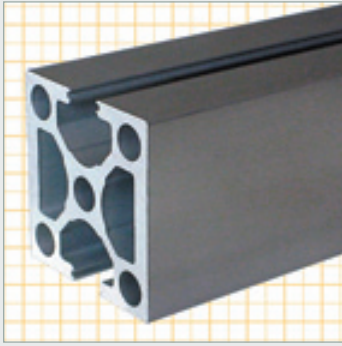
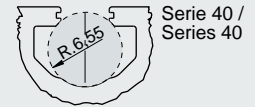
$I_x = 11,17 \text{ cm}^4$	$W_x = 5,58 \text{ cm}^3$
$I_y = 10,19 \text{ cm}^4$	$W_y = 5,09 \text{ cm}^3$

Longitud / Length Longueur / Länge	Kg/m	COD.
3 m	1,81	7702115
6 m	1,81	7702120

F

PERFIL 40 X40, ABIERTO A DOS CARAS. 77.022 / PROFILE 40 X40, OPEN ON TWO SIDES. 77.022 / PROFIL 40 X40, OUVERT PAS DEUX CÔTÉS. 77.022 / PROFIL 40 X40 OFFEN AUF ZWEI SEITE. 77.022





M  Aluminio anodizado plata.
 Silver anodized aluminium.
 Aluminium anodisé.
 Eloxiertes Aluminium

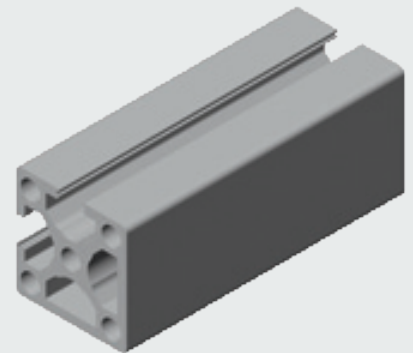
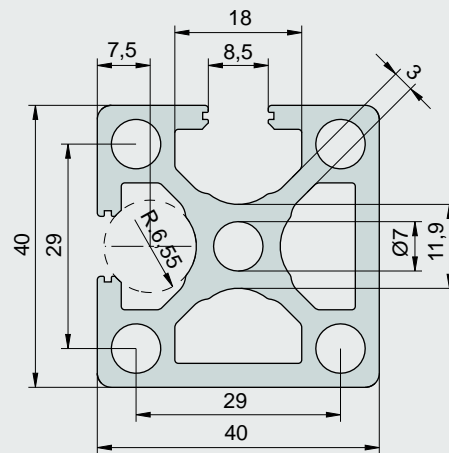
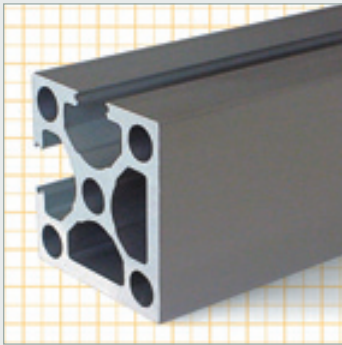


$I_x = 12,27 \text{ cm}^4$	$W_x = 6,13 \text{ cm}^3$
$I_y = 10,21 \text{ cm}^4$	$W_y = 5,10 \text{ cm}^3$

Longitud / Length Longueur / Länge	Kg/m	COD.
3 m	1,90	7702215
6 m	1,90	7702220

. 77.023 / PROFILE 40 X40, OPEN ON TWO SIDES AT 90°. 77.023 / PROFIL 40 X40, OUVERT PAS DEUX CÔTÉS - 90°. 77.023 / PROFIL 40 X40 OFFEN AUF ZWEI SEITE - 90°. 77.023

M  Aluminio anodizado plata.
 Silver anodized aluminium.
 Aluminium anodisé.
 Eloxiertes Aluminium

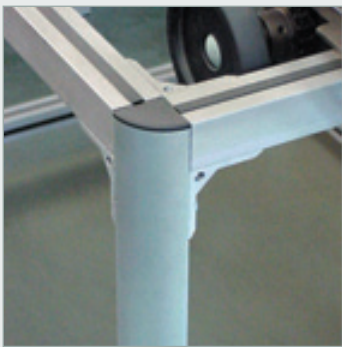
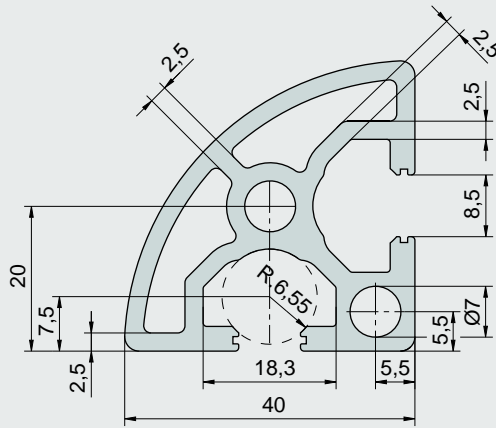
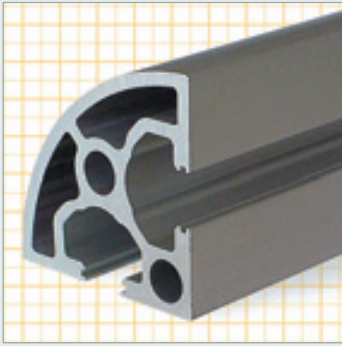


$I_x = 11,20 \text{ cm}^4$	$W_x = 5,60 \text{ cm}^3$
$I_y = 11,20 \text{ cm}^4$	$W_y = 5,60 \text{ cm}^3$

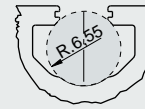
Longitud / Length Longueur / Länge	Kg/m	COD.
3 m	1,90	7702315
6 m	1,90	7702320

F

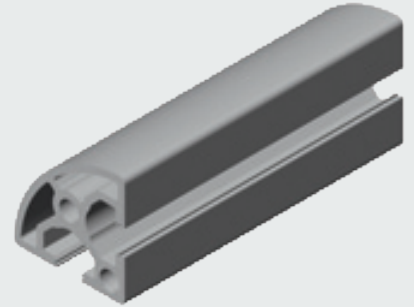
PERFIL ANGULAR 40X40. 77.090 / ANGULAR PROFILE 40X40. 77.090 /
PROFIL ANGULAIRE 40 X40 77.090 / ECKIG - PROFIL 40 X40. 77.090



- M**
- Aluminio anodizado plata.
 - Silver anodized aluminium.
 - Aluminium anodisé.
 - Eloxiertes Aluminium

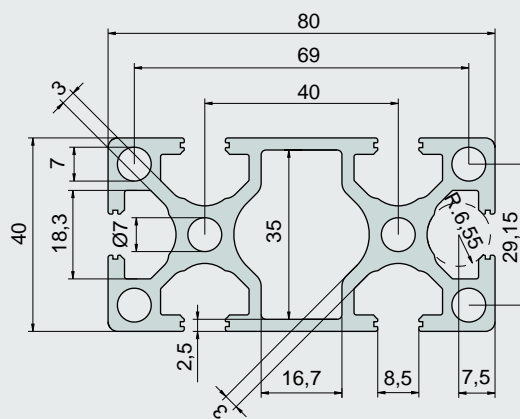
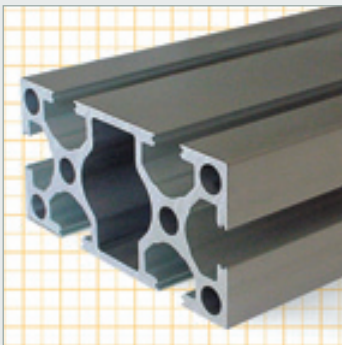


Serie 40 /
Series 40

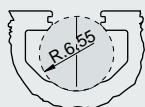


Longitud / Length Longueur / Länge	Kg/m	COD.
3 m	1,42	7709015
6 m		7709020

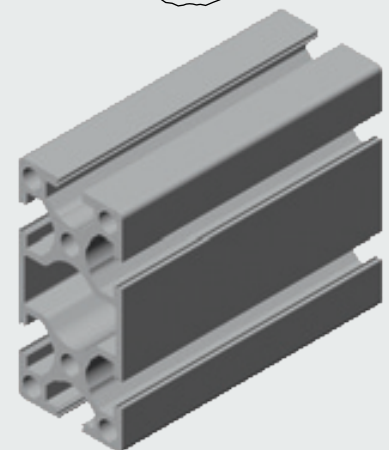
PERFIL 80X40 ABIERTO A CUATRO CARAS. 77.030 / PROFILE 80X40 OPEN ON FOUR SIDES. 77.030 /
PROFIL 80X40 OUVERT DES QUATRE CÔTÉS 77.030 / PROFIL 80 X40 OFFEN AUF VIER SEITE. 77.030



- M**
- Aluminio anodizado plata.
 - Silver anodized aluminium.
 - Aluminium anodisé.
 - Eloxiertes Aluminium



Serie 40 /
Series 40



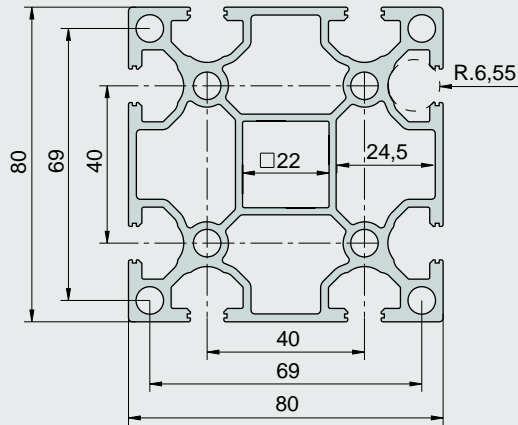
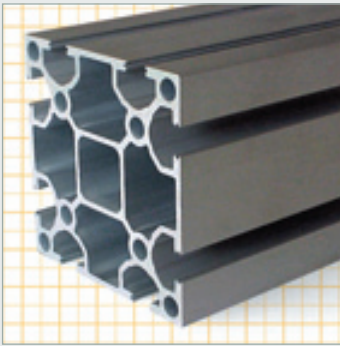
Longitud / Length Longueur / Länge	Kg/m	COD.
3 m	2,85	7703015
6 m		7703020

$I_x = 70,49 \text{ cm}^4$	$W_x = 17,62 \text{ cm}^3$
$I_y = 18,11 \text{ cm}^4$	$W_y = 9,05 \text{ cm}^3$

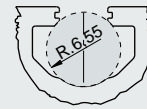
F



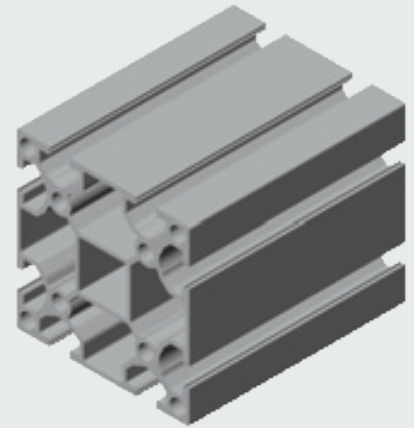
PERFIL 80X80 ABIERTO A CUATRO CARAS. 77.040 / PROFILE 80X80 OPEN ON FOUR SIDES. 77.040 / PROFIL 80 X80, OUVERT DES QUATRE CÔTÉS. 77.040 / PROFIL 80 X80 OFFEN AUF VIER SEITE. 77.040



- M** Aluminio anodizado plata. Silver anodized aluminium. Aluminium anodisé. Eloxiertes Aluminium



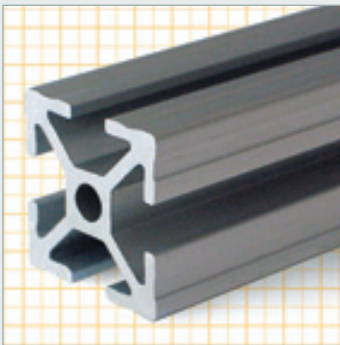
Serie 40 / Series 40



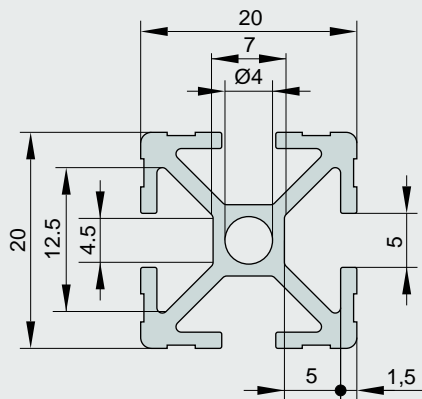
Longitud /Length Longueur /Länge	Kg/m	COD.
3 m	4,30	7704015
6 m		7704020

$I_x = 112,17 \text{ cm}^4$	$W_x = 28,04 \text{ cm}^3$
$I_y = 112,17 \text{ cm}^4$	$W_y = 28,04 \text{ cm}^3$

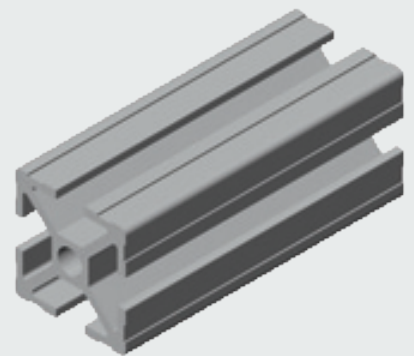
PERFIL 20X20. 77.010 / PROFILE 20X20. 77.010 / PROFIL 20X20. 77.010 / PROFIL 20X20. 77.010



- * Conexiones especiales
- * Special connections
- * Connexions spéciales
- * Besondere Verbindungsstücke



- M** Aluminio anodizado plata. Silver anodized aluminium. Aluminium anodisé. Eloxiertes Aluminium

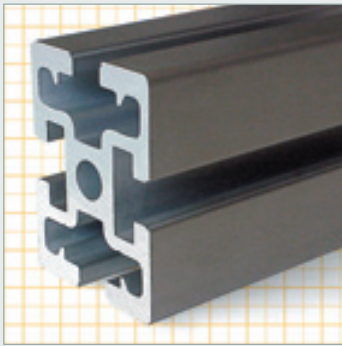


Longitud /Length Longueur /Länge	Kg/m	COD.
3 m		7701015
6 m	0,41	7701020

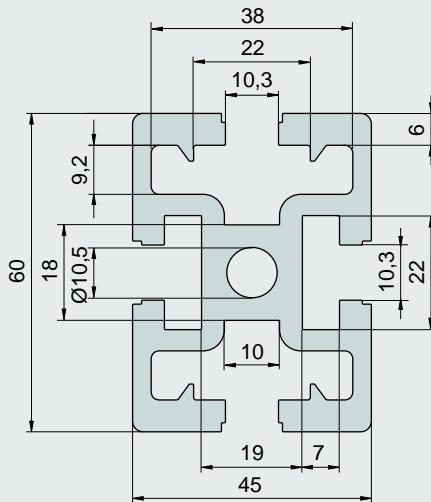
$I_x = 0,63 \text{ cm}^4$	$W_x = 0,63 \text{ cm}^3$
$I_y = 0,63 \text{ cm}^4$	$W_y = 0,63 \text{ cm}^3$

F

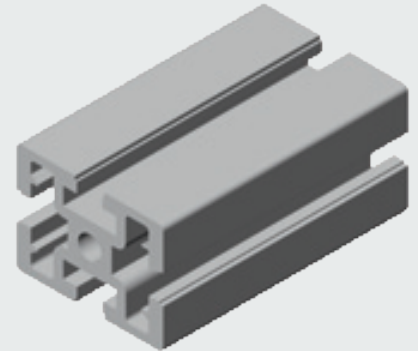
PERFIL 45X60. 77.012 / PROFILE 45X60. 77.012 /
PROFIL 45X60. 77.012 / PROFIL 45X60. 77.012



- * Conexiones especiales
- * Special connections
- * Connexions spéciales
- * Besondere Verbindungstücken



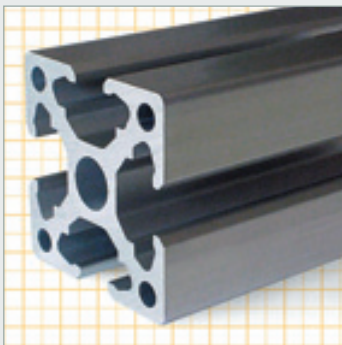
- M**
- Aluminio anodizado plata.
 - Silver anodized aluminium.
 - Aluminium anodisé.
 - Eloxiertes Aluminium



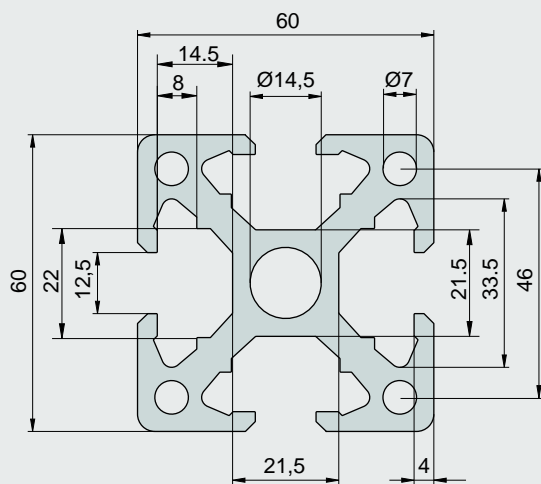
Longitud / Length Longueur / Länge	Kg/m	COD.
3 m	3,36	7701215
6 m		7701220

$I_x = 42,62 \text{ cm}^4$	$W_x = 14,20 \text{ cm}^3$
$I_y = 26,85 \text{ cm}^4$	$W_y = 11,93 \text{ cm}^3$

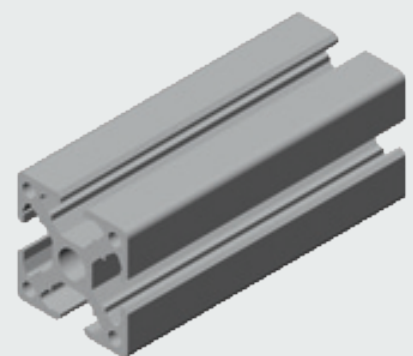
PERFIL 60X60. 77.014 / PROFILE 60X60. 77.014
PROFIL 60X60. 77.014 / PROFIL 60X60. 77.014



- * Conexiones especiales
- * Special connections
- * Connexions spéciales
- * Besondere Verbindungstücken



- M**
- Aluminio anodizado plata.
 - Silver anodized aluminium.
 - Aluminium anodisé.
 - Eloxiertes Aluminium







Longitud / Length Longueur / Länge	Kg/m	COD.
3 m	4,06	7701415
6 m		7701420

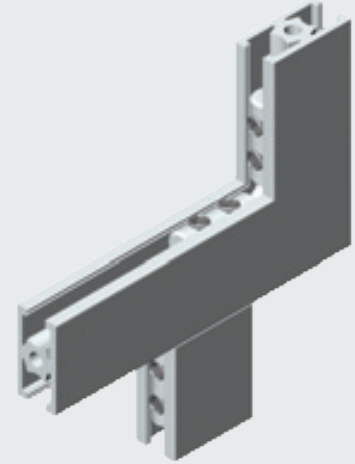
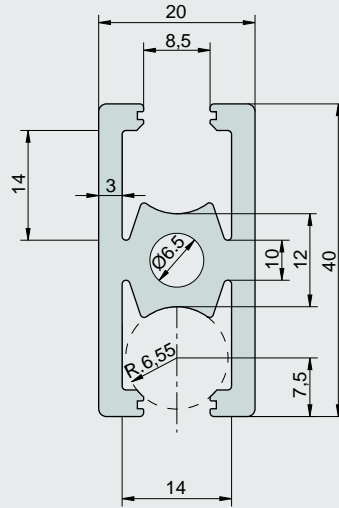
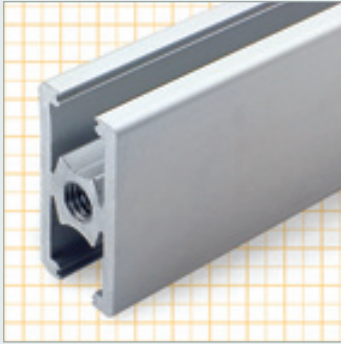
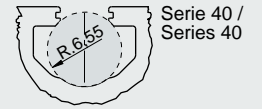
$I_x = 54,50 \text{ cm}^4$	$W_x = 18,16 \text{ cm}^3$
$I_y = 54,50 \text{ cm}^4$	$W_y = 18,16 \text{ cm}^3$



F

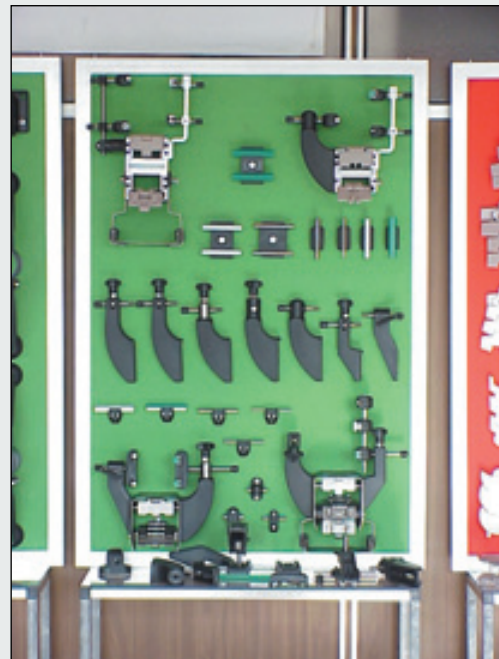
PERFIL 40 X20, ABIERTO A DOS CARAS. 77.019 / PROFILE 40 X20, OPEN ON TWO SIDES. 77.019 /
 PROFIL 40 X20, OUVERT PAS DEUX CÔTÉS. 77.019 / PROFIL 40 X20 OFFEN AUF ZWEI SEITE. 77.019

- M**  Aluminio anodizado plata.
 Silver anodized aluminium.
 Aluminium anodisé.
 Eloxiertes Aluminium







$I_x = 4,49 \text{ cm}^4$	$W_x = 2,24 \text{ cm}^3$
$I_y = 1,89 \text{ cm}^4$	$W_y = 1,89 \text{ cm}^3$

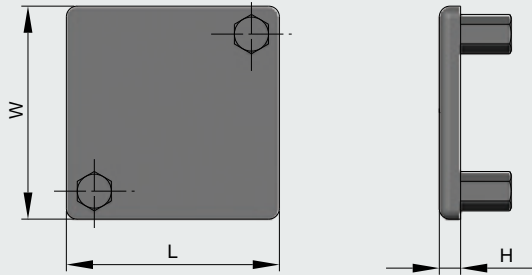
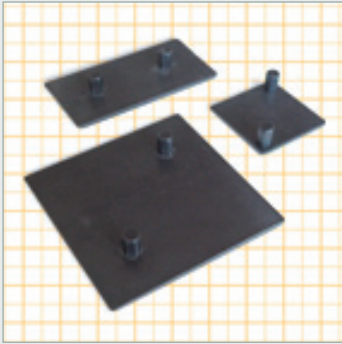
Longitud / Length Longueur / Länge	Kg/m	COD.
3 m	1,1	7701915
6 m		7701920




F





TAPETAS PARA PERFILES / COVERS FOR PROFILES /
COUVERCLES POUR PROFILS / PROFILDECKE

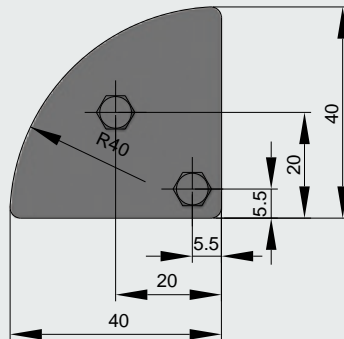
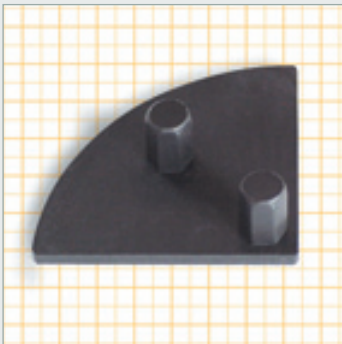
M  Poliamida reforzada.
 Reinforced polyamide.
 Polyamide renforcé.
 Verstärktes Polyamid.




PARA PERFILES / FOR PROFILES POUR PROFILS / FÜR PROFILS	W	L	H	Kg	COD.	
77019	20	40	4	0,01	7808505	200
77020 - 77021 - 77022 - 77023	40	40	4	0,01	7808510	200
77030	40	80	4	0,02	7808515	100
77040	80	80	4	0,03	7808520	

TAPETAS PARA PERFILES / COVERS FOR PROFILES /
COUVERCLES POUR PROFILS / PROFILDECKE

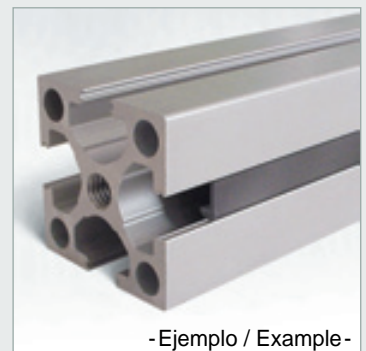
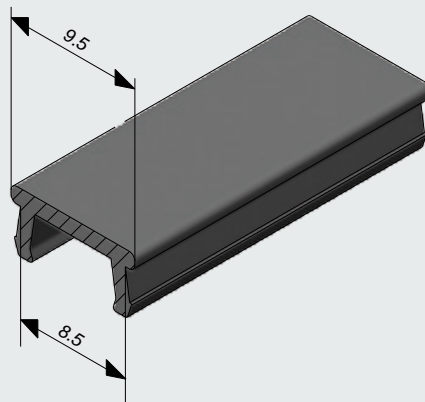
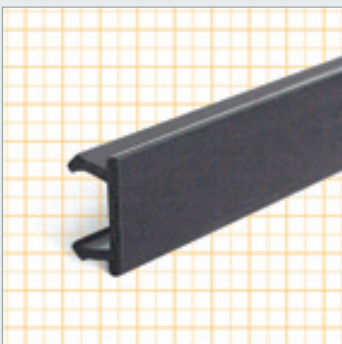
M  Poliamida reforzada.
 Reinforced polyamide.
 Polyamide renforcé.
 Verstärktes Polyamid.



PARA PERFILES / FOR PROFILES POUR PROFILS / FÜR PROFILS	Kg	COD.	
77090	0,01	7808512	200




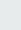
PERFIL EMBELLECEDOR / STRIP PROFILE /
PROFIL ENJOLIVEUR / VERSCHÖNERUNGS - PROFIL

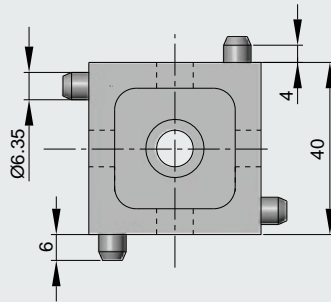
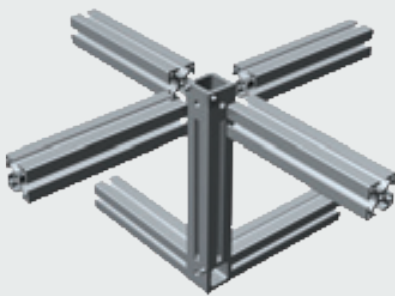
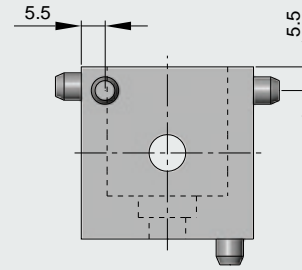
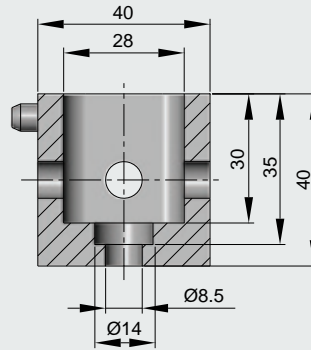
M  PVC. Rígido.
 Rigid PVC.
 PVC. Rigide.
 Steif PVC.




PARA PERFILES / FOR PROFILES POUR PROFILS / FÜR PROFILS	Kg/m	COD.
77020-77021-77022-77023-77090-77030 77040-77018-77150-77152-77550	0,03	7808611




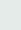
UNIÓN INTERIOR CINCO LADOS / FIVE-SIDED INNER JUNCTION
 RACCORDEMENT INTERNE CING CÔTÉS / FUNF - SEITE VERBINDUNGSTÜCK (EINGANG)

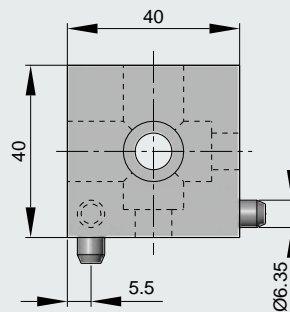
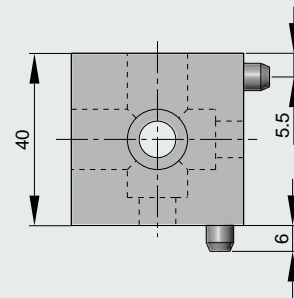
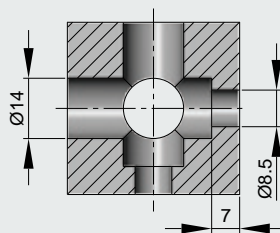
- M**  Aluminio anodizado plata.
 Silver anodized aluminium.
 Aluminium anodisé.
 Eloxiertes Aluminium.




Kg	COD.	
0,12	7807015	25

UNIÓN EXTERIOR, TRES LADOS / THREE-SIDED OUTER JUNCTION
 RACCORDEMENT EXTÉRIEUR TROIS CÔTÉS / DREI - SEITE VERBINDUNGSTÜCK (AUSGANG)

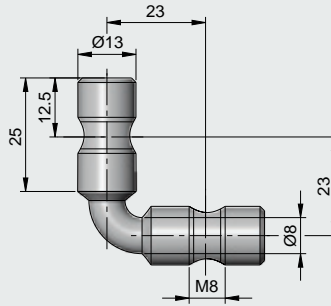
- M**  Aluminio anodizado plata.
 Silver anodized aluminium.
 Aluminium anodisé.
 Eloxiertes Aluminium.



Kg	COD.	
0,16	7807515	25

F

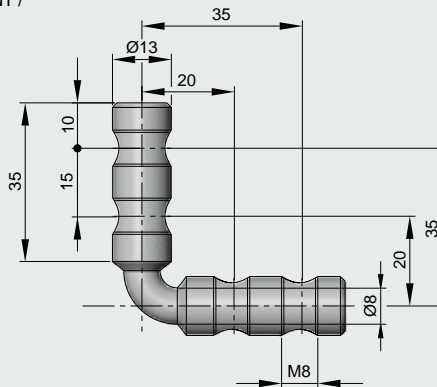
FIJACIÓN FRONTAL SIMPLE / SIMPLE FRONT ATTACHMENT /
FIXATION FRONTALE SIMPLE / EINFACH STIRBINDUNG



M Acero inoxidable.
Stainless steel.
Acier inoxydable.
Edelstahl.

Kg	COD.	
0,06	7801020	100

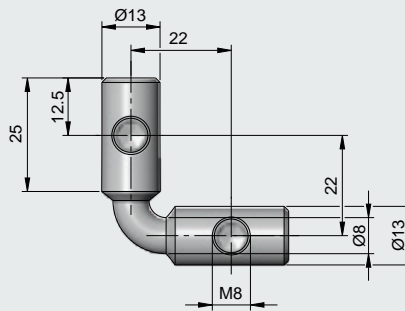
FIJACIÓN FRONTAL DOBLE / DOUBLE FRONT ATTACHMENT /
FIXATION FRONTALE DOUBLE / DOPPEL STIRBINDUNG



M Acero inoxidable.
Stainless steel.
Acier inoxydable.
Edelstahl.

Kg	COD.	
0,07	7801520	100

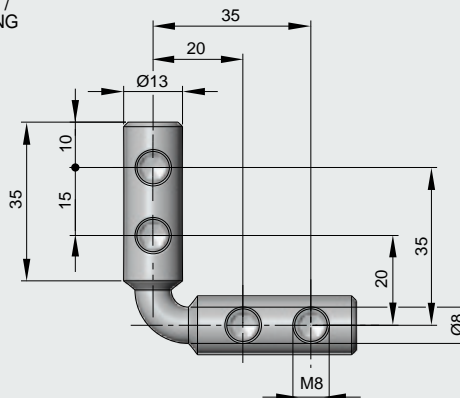
FIJACIÓN LATERAL SIMPLE / SIMPLE SIDE ATTACHMENT /
FIXATION LATÉRALE SIMPLE / EINFACH SEITLICHBINDUNG



M Acero inoxidable.
Stainless steel.
Acier inoxydable.
Edelstahl.

Kg	COD.	
0,05	7801120	100

FIJACIÓN LATERAL DOBLE / DOUBLE SIDE ATTACHMENT /
FIXATION LATÉRALE DOUBLE / DOPPEL SEITLICHBINDUNG



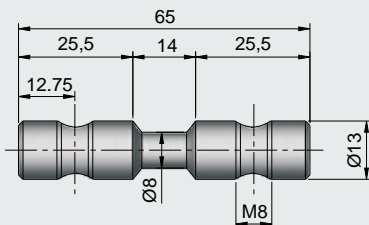
M Acero inoxidable.
Stainless steel.
Acier inoxydable.
Edelstahl.


Kg	COD.	
0,07	7801620	100

F

FIJACIÓN FRONTAL SIMPLE / SIMPLE FRONT ATTACHMENT /
FIXATION FRONTALE SIMPLE / EINFACH STIRBINDUNG

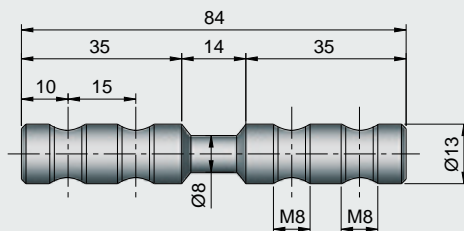
- M**  Acero inoxidable.
 Stainless steel.
 Acier inoxydable.
 Edelstahl.




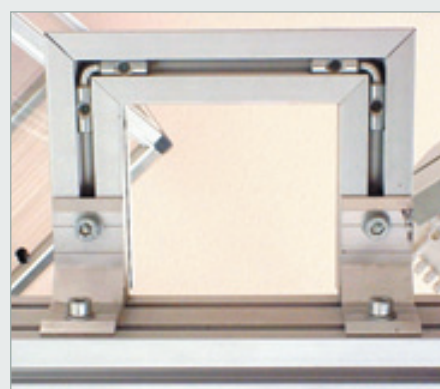
Kg	COD.	
0,06	7802120	100

FIJACIÓN FRONTAL DOBLE / DOUBLE FRONT ATTACHMENT /
FIXATION FRONTALE DOUBLE / DOPPEL STIRBINDUNG

- M**  Acero inoxidable.
 Stainless steel.
 Acier inoxydable.
 Edelstahl.

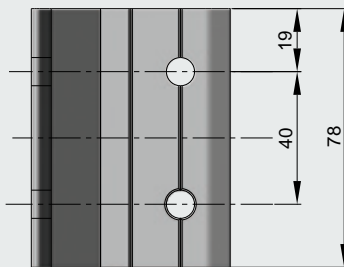
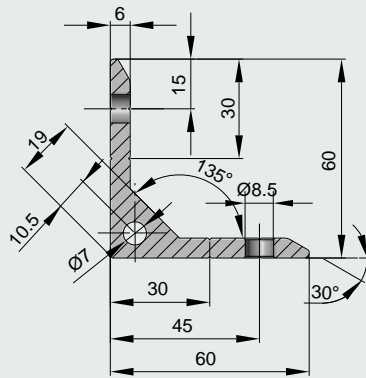


Kg	COD.	
0,07	7802020	100



F

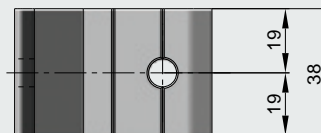
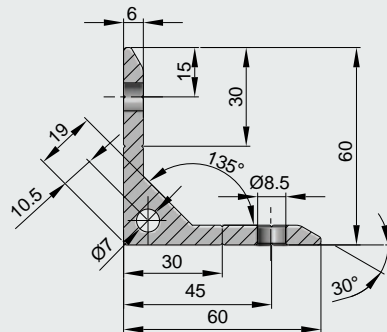
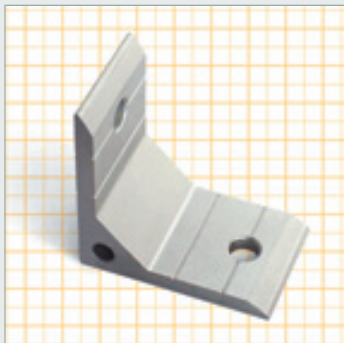
ESCUADRA / BRACKET / ÉQUERRE / WINKEL



- M** Aluminio anodizado plata.
 Silver anodized aluminium.
 Aluminium anodisé.
 Eloxiertes Aluminium.

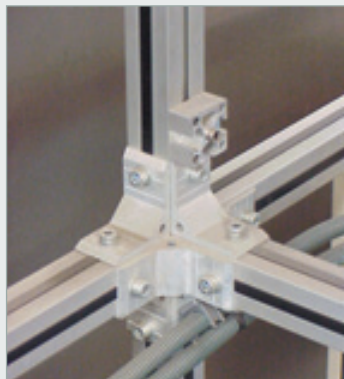
Kg	COD.	
0,14	7811222	25

ESCUADRA / BRACKET / ÉQUERRE / WINKEL



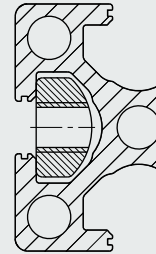
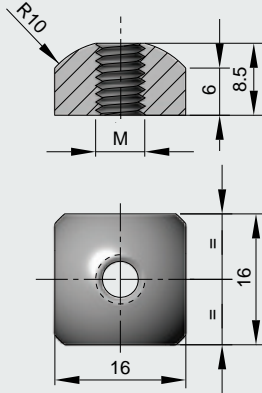
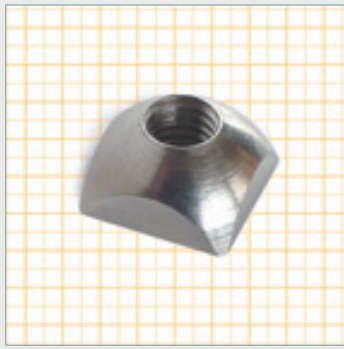
- M** Aluminio anodizado plata.
 Silver anodized aluminium.
 Aluminium anodisé.
 Eloxiertes Aluminium.

Kg	COD.	
0,07	7811220	50

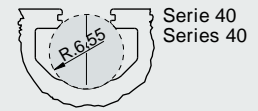


F

TUERCA PARA PERFIL / NUT FOR PROFILE / ÉCROU POUR PROFIL / SCHRAUBEN MUTTER FÜR PROFILE

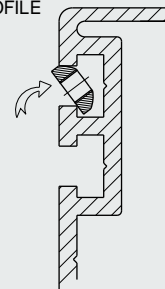
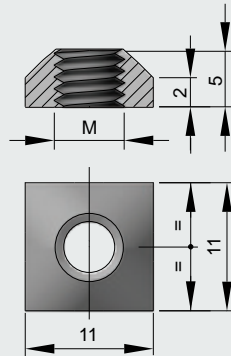
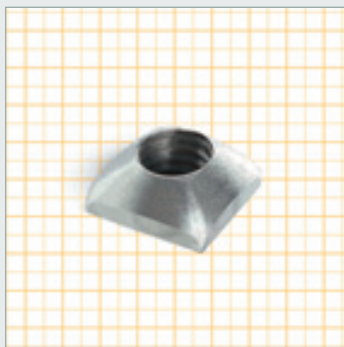


- M** Latón.
 Brass.
 Laiton.
 Messing.

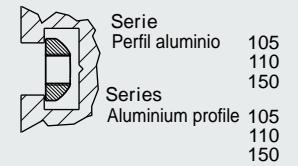


M	Kg	COD.	
M6	0,010	7830824	500
M8	0,012	7830823	

TUERCA PARA PERFIL / NUT FOR PROFILE / ÉCROU POUR PROFIL / SCHRAUBEN MUTTER FÜR PROFILE

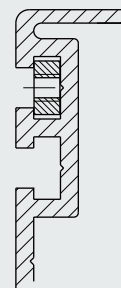
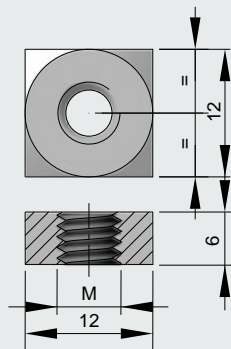
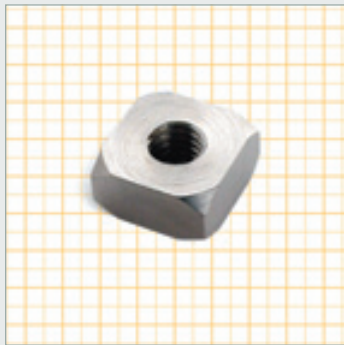


- M** Acero.
 Stee.
 Acier.
 Stahl.

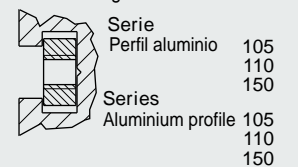


PARA LATERALES / TO SIDES POUR LATÉRALES / FÜR SEITLICH	M	Kg	COD.	
77150 - 77152 - 77550	M6	0,002	7830645	500
	M8	0,002	7830650	

TUERCA PARA PERFIL / NUT FOR PROFILE / ÉCROU POUR PROFIL / SCHRAUBEN MUTTER FÜR PROFILE

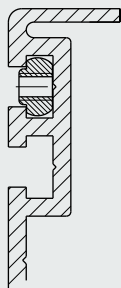
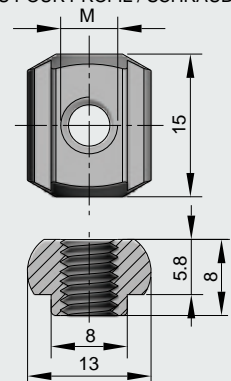


- M** Latón.
 Brass.
 Laiton.
 Messing.

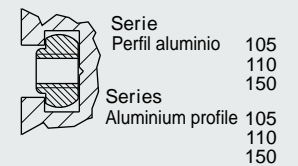


PARA LATERALES / TO SIDES POUR LATÉRALES / FÜR SEITLICH	M	Kg	COD.	
77150 - 77152 - 77550	M6	0,006	7830611	500
	M8	0,005	7830814	

TUERCA PARA PERFIL / NUT FOR PROFILE / ÉCROU POUR PROFIL / SCHRAUBEN MUTTER FÜR PROFILE



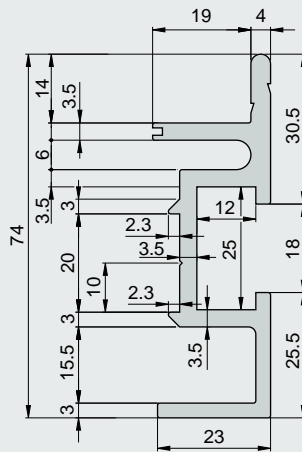
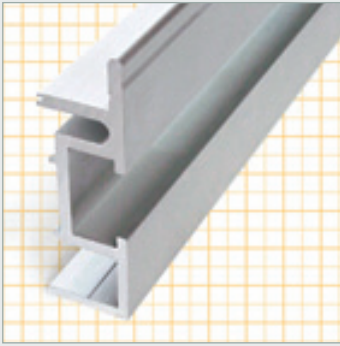
- M** Aluminio.
 Aluminium.
 Aluminium.
 Aluminium.



PARA LATERALES / TO SIDES POUR LATÉRALES / FÜR SEITLICH	M	Kg	COD.	
77150 - 77152 - 77550	M6	0,003	7830631	500

F

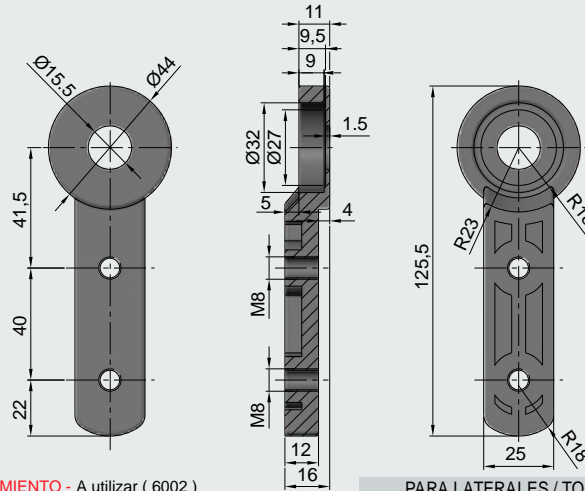
PERFIL ALUMINIO 74 / PROFILE ALUMINIUM 74 /
PROFIL ALUMINIUM 74 / ALUMINIUM PROFIL 74



- M**
- Aluminio anodizado plata.
 - Silver anodized aluminium.
 - Aluminium anodisé.
 - Eloxiertes Aluminium.

Longitud / Length Longueur / Länge	Kg/m	COD.
3 m	2,2	7714015
6 m		7714020

SOPORTE PARA RODAMIENTO / BEARING SUPPORT / SUPPORT POUR PALIER / FLANSLAGER



- M**
- Poliamida reforzada.
 - Reinforced Polyamide.
 - Polyamide renforcé.
 - Verstärktes Polyamid.

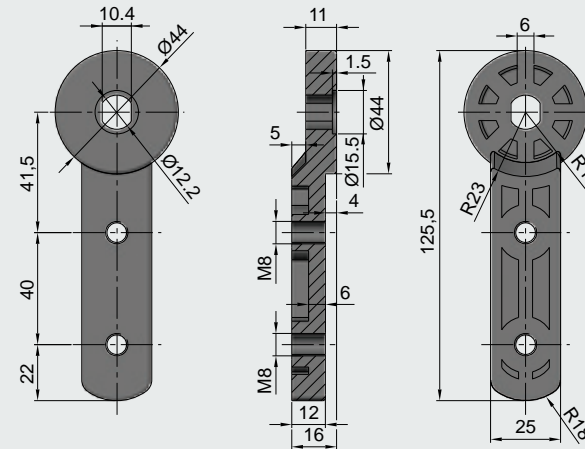


- SIN RODAMIENTO - A utilizar (6002)
- WITHOUT BEARINGS - To use (6002)
- SANS ROULEMENT - A utiliser (6002)
- OHNE WÄRLZLAGER - Zu verwenden (6002)

PARA LATERALES / TO SIDES
POUR LATERALES / FÜR SEITLICH

	M	Kg	COD.	
77140	M8	0,04	TTB15A	20

SOPORTE PARA RODAMIENTO / BEARING SUPPORT / SUPPORT POUR PALIER / FLANSLAGER



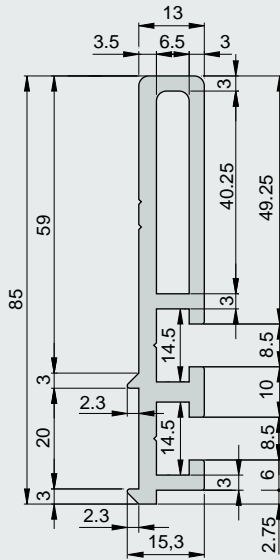
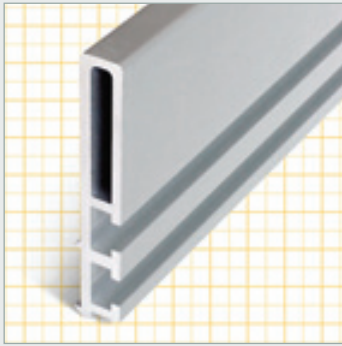
- M**
- Poliamida reforzada.
 - Reinforced Polyamide.
 - Polyamide renforcé.
 - Verstärktes Polyamid.

PARA LATERALES / TO SIDES
POUR LATERALES / FÜR SEITLICH

	M	Kg	COD.	
77140	M8	0,04	TTB15C	20

F

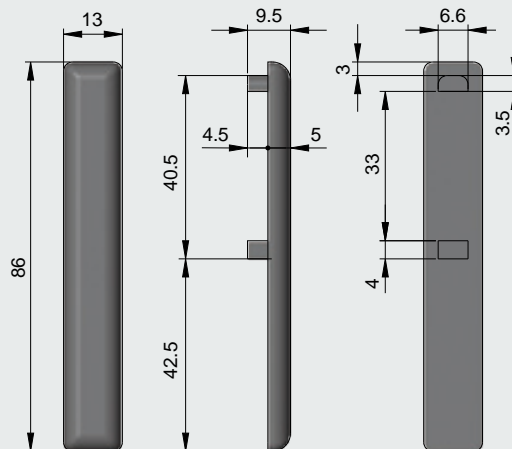
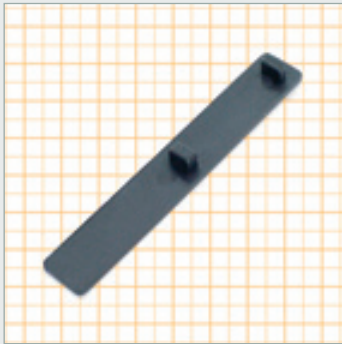
PERFIL ALUMINIO 85 / PROFILE ALUMINIUM 85 /
PROFIL ALUMINIUM 85 / ALUMINIUM PROFIL 85



- M** Aluminio anodizado plata.
 Silver anodized aluminium.
 Aluminium anodisé.
 Eloxiertes Aluminium.

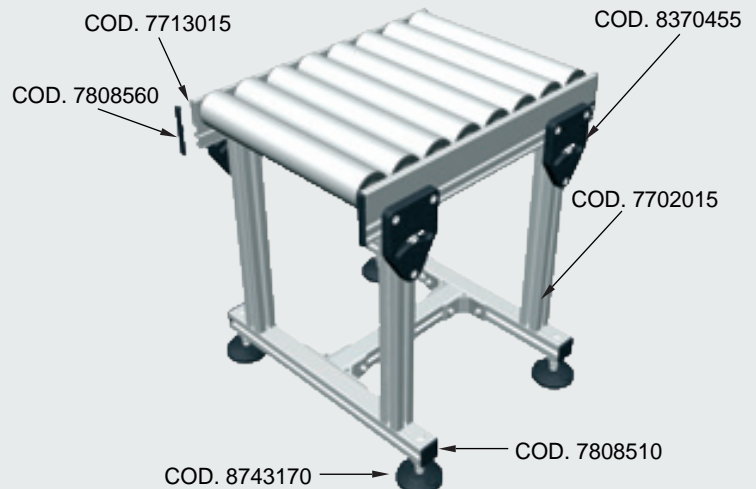
Longitud /Length Longueur /Länge	Kg/m	COD.
3 m	1,40	7713015
6 m		7713020

TAPETA PARA PERFIL / COVER FOR PROFILE / COUVERCLE POUR PROFIL / PROFIL - DECKE



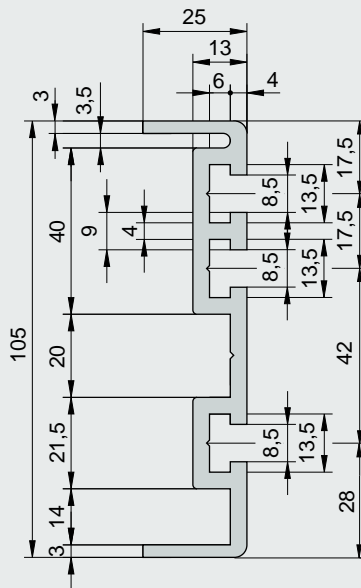
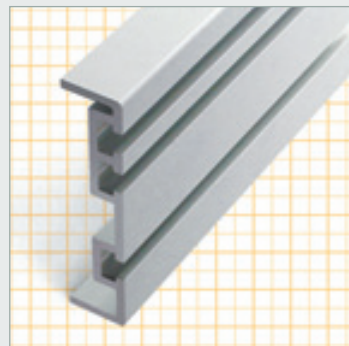
- M** Poliamida reforzada.
 Reinforced Polyamide.
 Polyamide renforcé.
 Verstärktes Polyamid.

Kg	COD.	
0,01	7808560	200



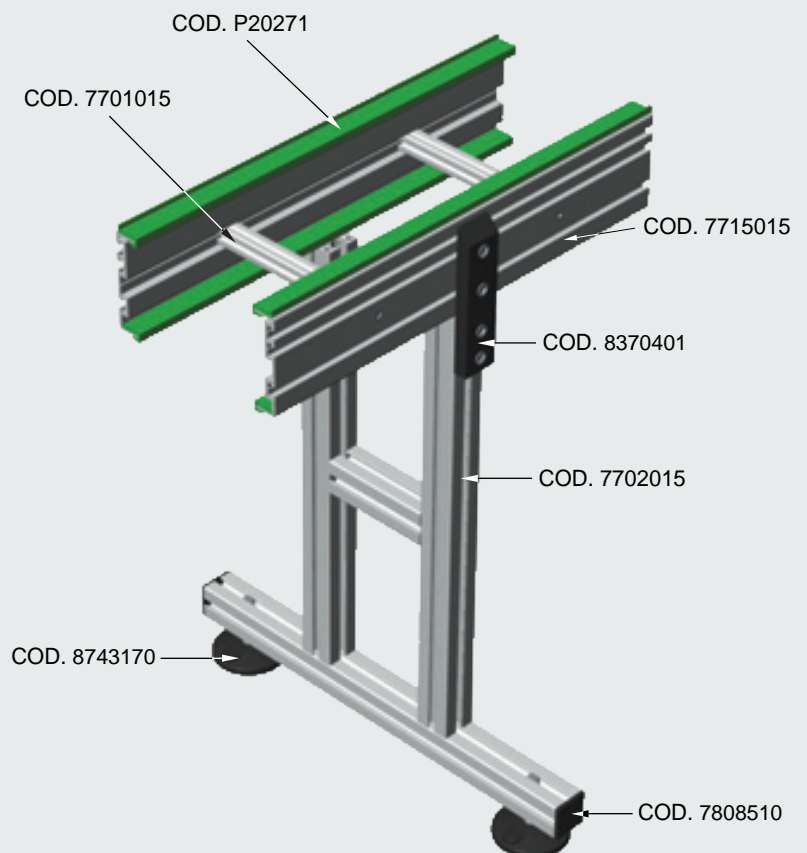
F

PERFIL ALUMINIO 105 / PROFILE ALUMINIUM 105 /
PROFIL ALUMINIUM 105 / ALUMINIUM PROFIL 105



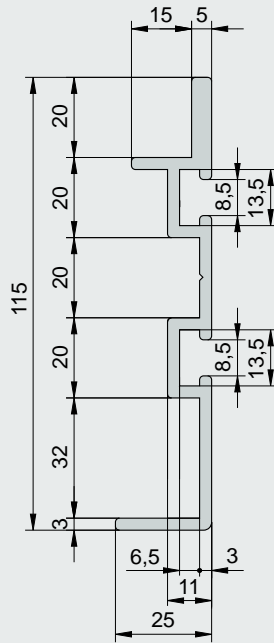
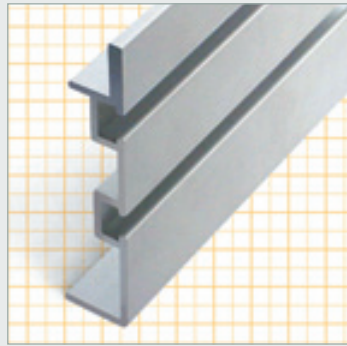
- M** Aluminio anodizado plata.
 Silver anodized aluminium.
 Aluminium anodisé.
 Eloxiertes Aluminium.

Longitud / Length Longueur / Länge	Kg/m	COD.
3 m	2,1	7715015
6 m		7715020



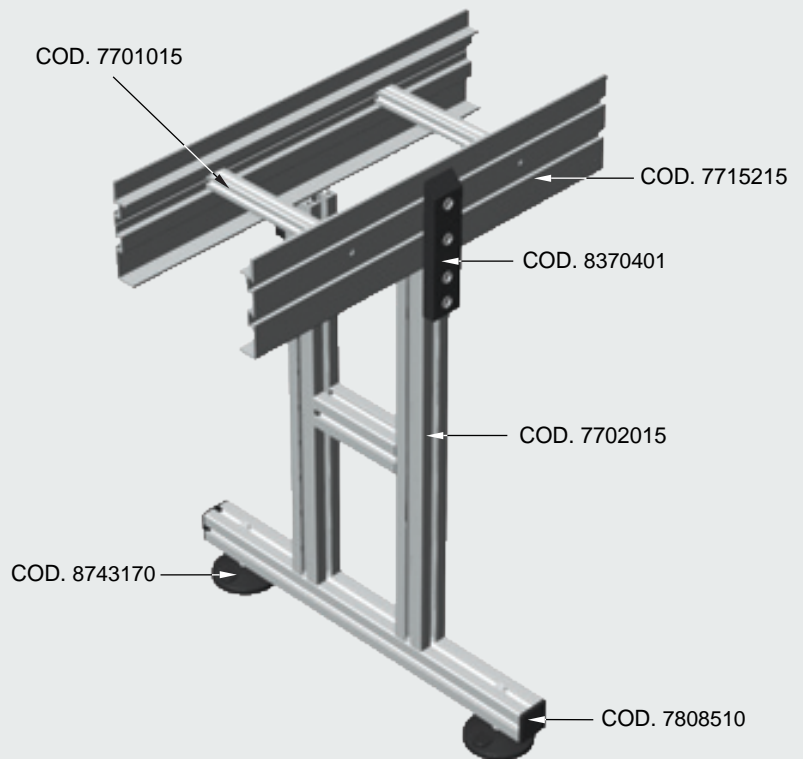
F

PERFIL ALUMINIO 115 / PROFILE ALUMINIUM 115 / PROFIL ALUMINIUM 115 / ALUMINIUM PROFIL 115



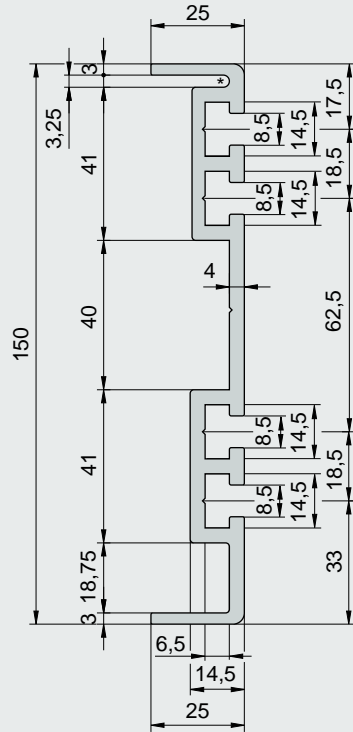
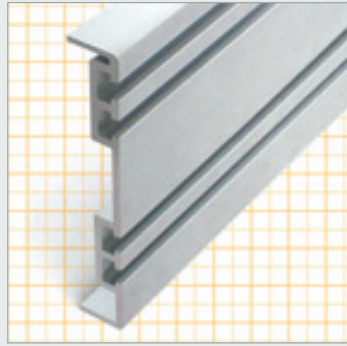
- M**
- Aluminio anodizado plata.
 - Silver anodized aluminium.
 - Aluminium anodisé.
 - Eloxiertes Aluminium.

Longitud / Length Longueur / Länge	Kg/m	COD.
3 m	1,60	7715215
6 m		7715220



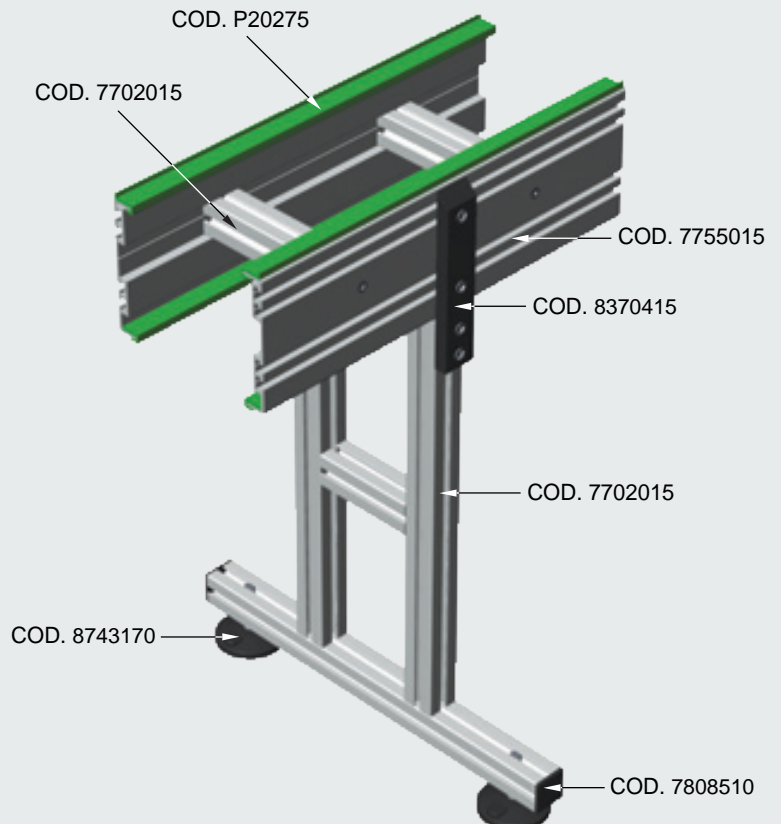
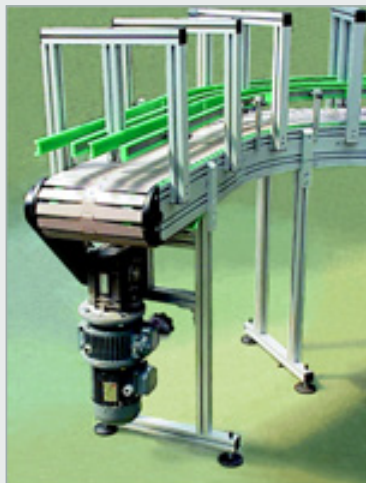
F

PERFIL ALUMINIO 150 / PROFILE ALUMINIUM 150 /
PROFIL ALUMINIUM 150 / ALUMINIUM PROFIL 150



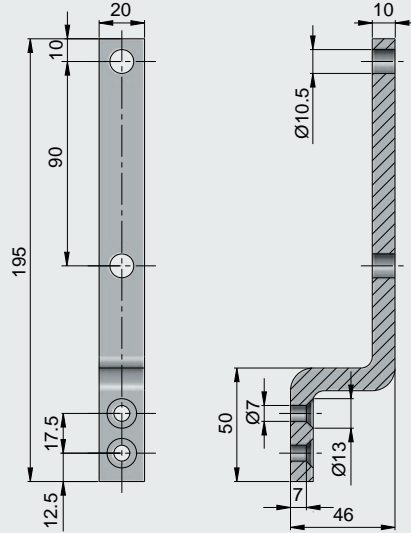
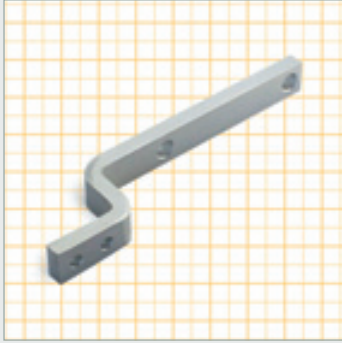
- M**
- Aluminio anodizado plata.
 - Silver anodized aluminium.
 - Aluminium anodisé.
 - Eloxiertes Aluminium.

Longitud / Length Longueur / Länge	Kg/m	COD.
3 m	2,82	7755015
6 m		7755020



F

BRAZO SOPORTE / SUPPORT ARM / BRAS DE SUPPORT / ARMLAGER

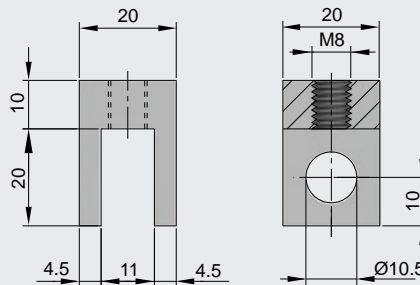
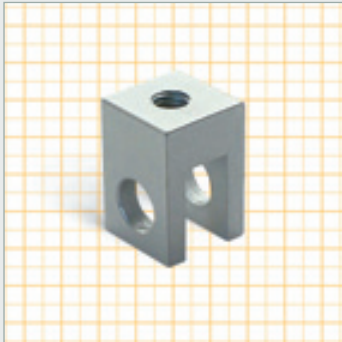


- M** Aluminio anodizado plata.
 Silver anodized aluminium.
 Aluminium anodisé.
 Eloxiertes Aluminium.



Kg	COD.	
0,11	7825225	25

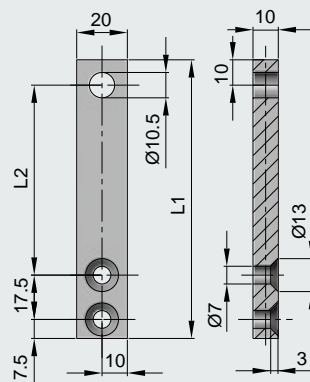
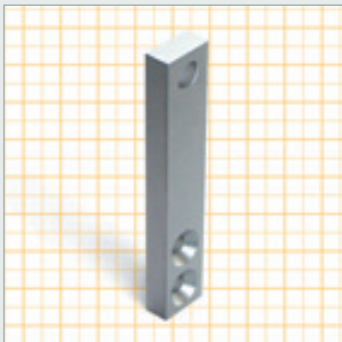
CABEZAL SOPORTE / SUPPORT HEAD / TÊTE DE SUPPORT / KOPFLAGER



- M** Aluminio anodizado plata.
 Silver anodized aluminium.
 Aluminium anodisé.
 Eloxiertes Aluminium.

Kg	COD.	
0,02	7821020	100

SOPORTE BARANDILLA / RAILING SUPPORT / RAMPE SUPPORT / GELÄNDERLAGER



- M** Aluminio anodizado plata.
 Silver anodized aluminium.
 Aluminium anodisé.
 Eloxiertes Aluminium.

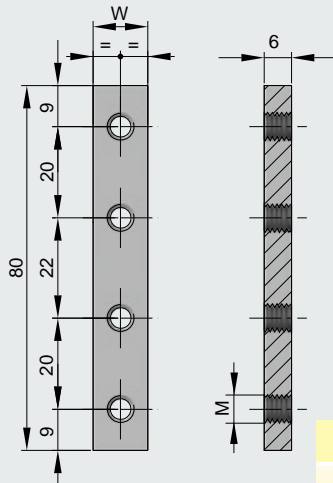
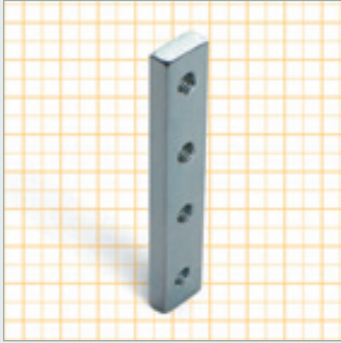


L1	L2	Kg	COD.	
80	45	0,04	7825211	50
110	75	0,05	7825214	
140	105	0,07	7825217	

F

UNIÓN TRANSPORTADOR / CONVEYOR JOINT / JOINT POUR CONVOYEUR / VERBINDUNGSTÜCK FÜR FÖRDERER

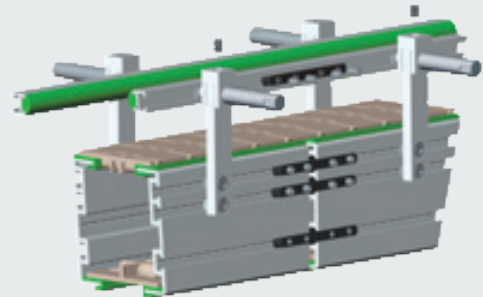
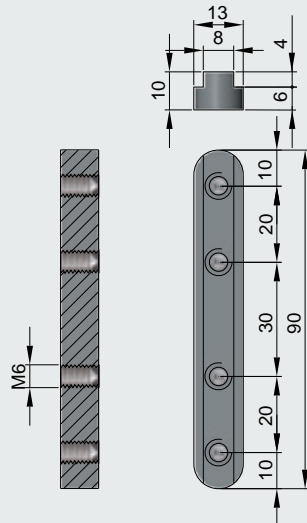
- M** Acero Zincado.
 Zinc plated steel.
 Acier zingué.
 Verzinktem Stahl.



PARA LATERALES / TO SIDES POUR LATÉRALES / FÜR SEITLICH	W	M	Kg	COD.	
77150 - 77152	12	M6	0,04	7808212	200
77550	14	M6	0,05	7808214	

UNIÓN TRANSPORTADOR / CONVEYOR JOINT / JOINT POUR CONVOYEUR / VERBINDUNGSTÜCK FÜR FÖRDERER

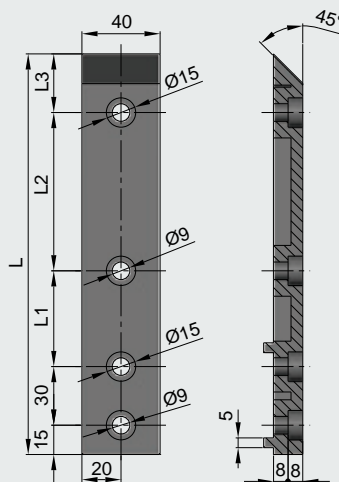
- M** Poliamida reforzada.
 Reinforced Polyamide.
 Polyamide renforcé.
 Verstärktes Polyamid.



PARA LATERALES / TO SIDES POUR LATÉRALES / FÜR SEITLICH	M	Kg	COD.	
77150 - 77152 - 77550	M6	0,02	7808270	20

SOPORTE LATERAL / SIDE SUPPORT /
POUR LATÉRALE / SEITLICHLAGER




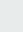
- M** Poliamida reforzada.
 Reinforced Polyamide.
 Polyamide renforcé.
 Verstärktes Polyamid.

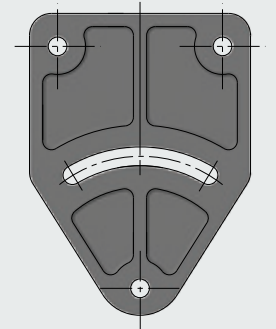
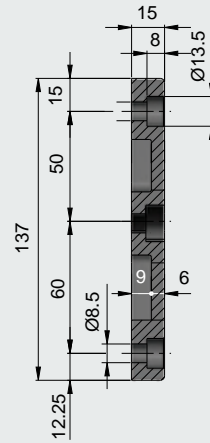
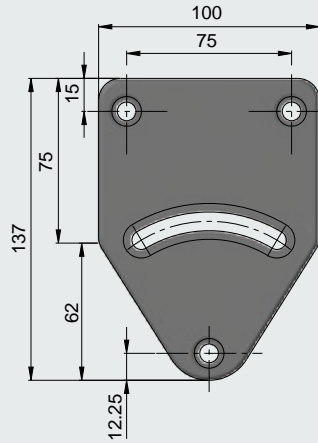



PARA LATERALES / TO SIDES POUR LATÉRALES / FÜR SEITLICH	L1	L2	L3	L	Kg	COD.	
77150 - 77152	46	42	28	160	0,10	8370401	25
77550	49	81	31	205	0,12	8370415	15

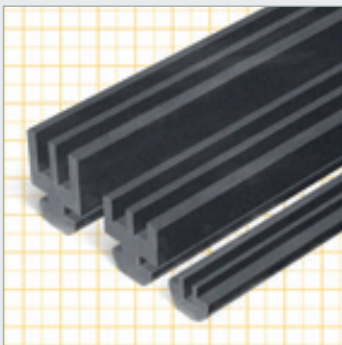
F

PERFILES ESTRUCTURALES / STRUCTURAL PROFILES
PROFILS STRUCTURELS / STRUKTURPROFILE

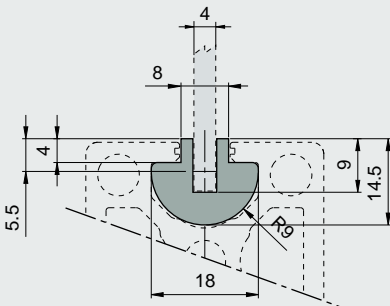
M  Poliamida reforzada.
 Reinforced Polyamide.
 Polyamide renforcé.
 Verstärktes Polyamid.



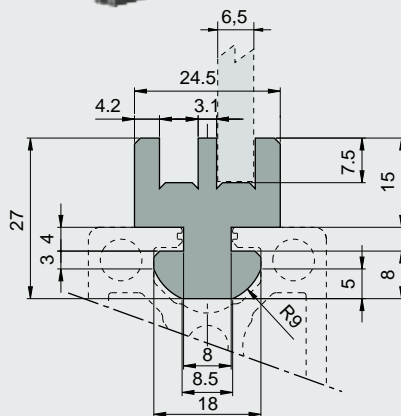
PARA LATERALES / TO SIDES POUR LATÉRALES / FÜR SEITLICH	Kg	COD.	
77150 / 77550	0,17	8370455	15



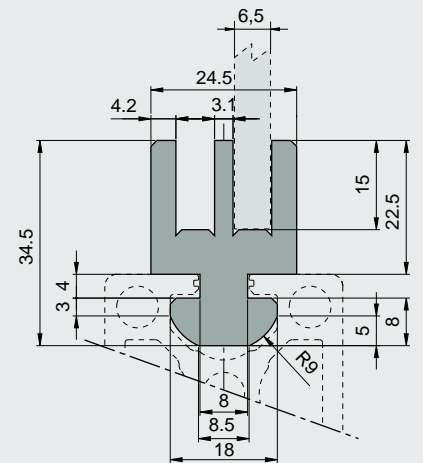
M  Polietileno.
 Polyethylene.
 Polyéthylène.
 Polyäthylen.



L	Kg/m	COD.
2	0,16	7640327



L	Kg/m	COD.
2	0,46	7640330

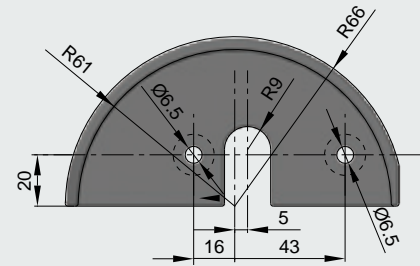
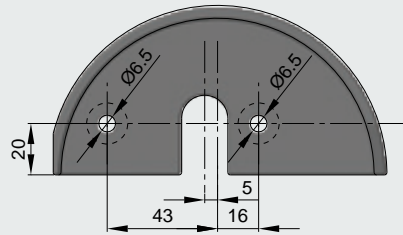
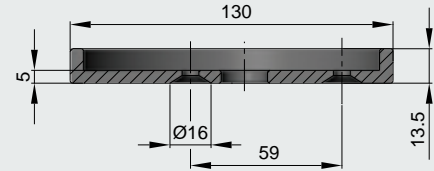


L	Kg/m	COD.
2	0,65	7640335

F

DEFENSA FRONTAL / HEAD COVERING / DÉFENSE FRONTALE / STIRNSCHUTZ

M Poliamida reforzada.
 Reinforced Polyamide.
 Polyamide renforcé.
 Verstärktes Polyamid.



LADO DERECHO TRANSPORTADOR /
 RIGHT SIDE CONVEYOR /
 CONVOYEUR CÔTÉ DROIT /
 FÖRDERER RECHTEHAND

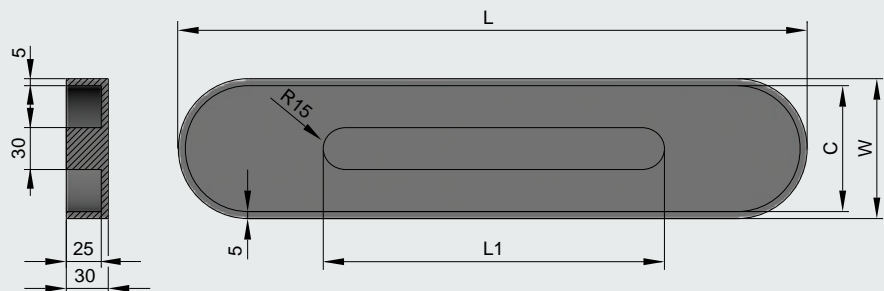
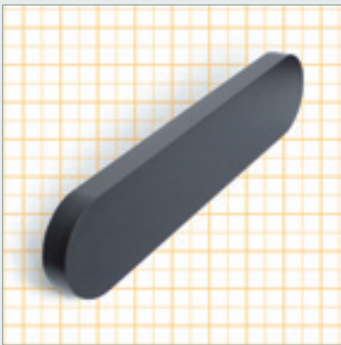
LADO IZQUIERDO TRANSPORTADOR /
 LEFT SIDE CONVEYOR /
 CONVOYEUR CÔTÉ GAUCHE /
 FÖRDERER LINKERHAND



PARA LATERALES / TO SIDES	Kg	COD.	
77150	0,10	7808550	15

DEFENSA DE CADENA / CHAIN COVERING / COUVERCLE POUR CHAÎNE / DECKE FÜR KETTEN

M Poliamida reforzada.
 Reinforced Polyamide.
 Polyamide renforcé.
 Verstärktes Polyamid.

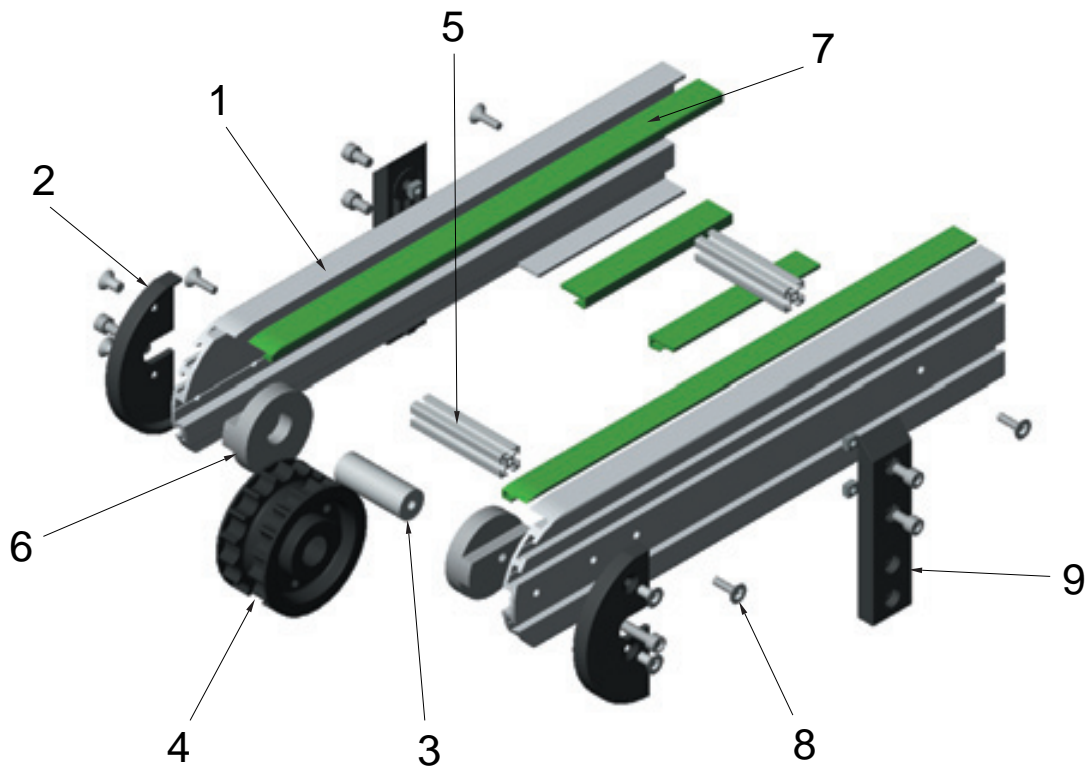


- * Taladrar al montar
- * To be bored when assembling
- * Perçer pour assembler
- * Für bauen, bohren durch

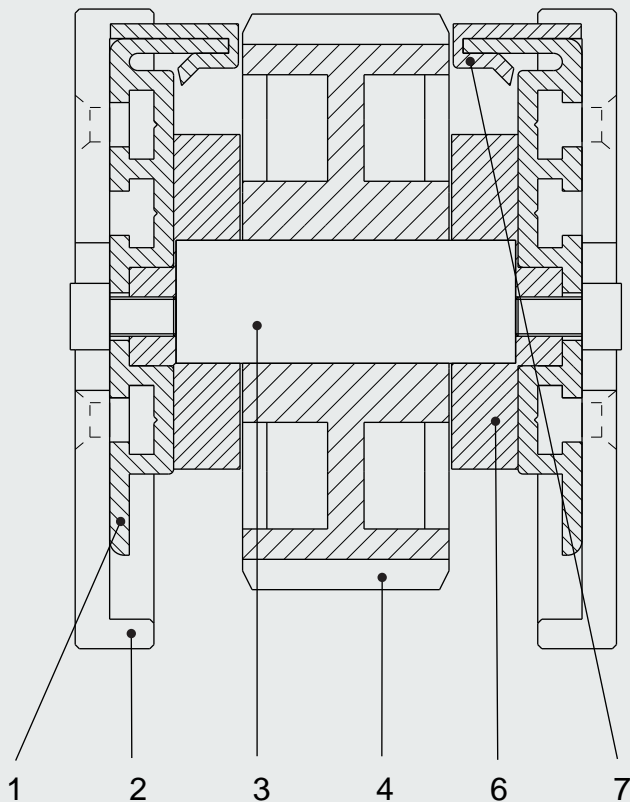


L	L1	C	W	Kg	COD.	
450	230	90	100	0,37	7808591	1
480	260	100	110	0,39	7808594	

CABEZAL DE REENVÍO - ALUMINIO 105 mm. / IDLER SYSTEM - ALUMINIUM 105 mm. /
 TÊTE DE RENVOI - ALUMINIUM 105 mm. / RÜCKREISEN KÖPF - ALUMINIUM 105 mm.



CABEZAL DE REENVÍO - ALUMINIO 105 mm. / IDLER SYSTEM - ALUMINIUM 105 mm. /
 TÊTE DE RENVOI - ALUMINIUM 105 mm. / RÜCKREISEN KÖPF - ALUMINIUM 105 mm.

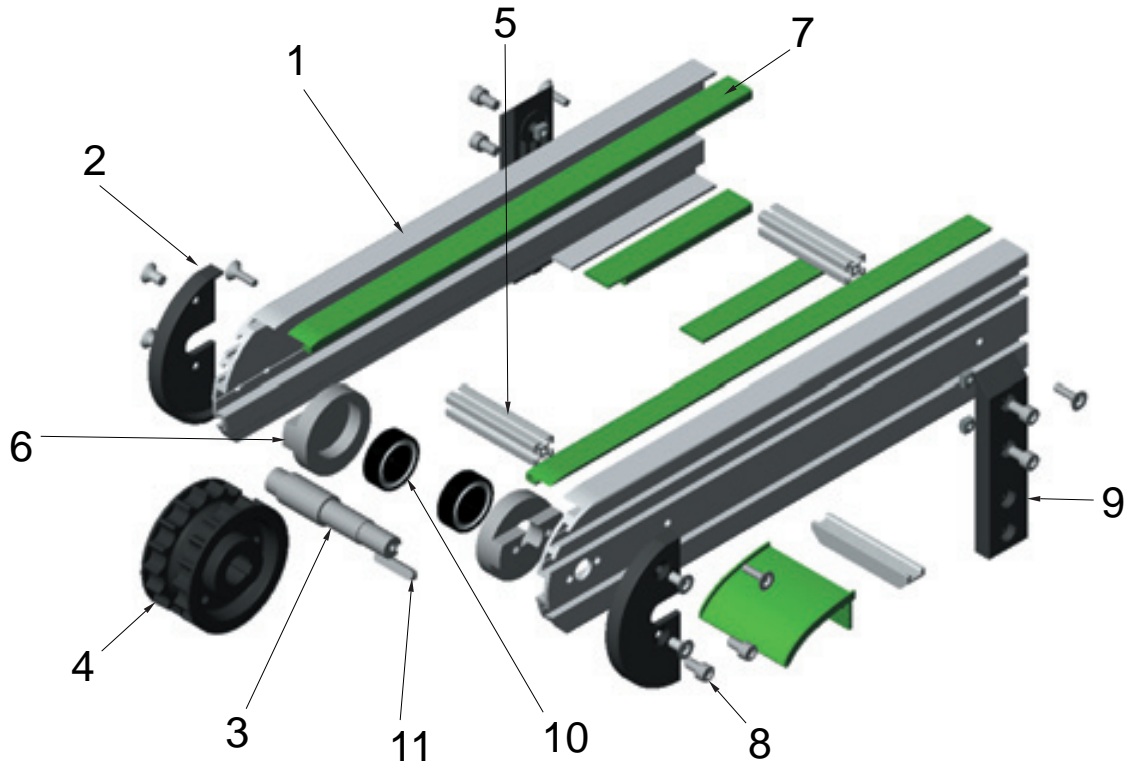


- 1 PERFIL ALUMINIO 105 mm. ANODIZADO 20 MICRAS.
ALUMINIUM PROFILE 105 mm. ANODIZED 20 MICRON.
PROFIL ALUMINIUM 105 mm. ANODISÉ 20 MICRON.
PROFIL ALUMINIUM 105 mm. ELOXIERTES 20 MIKRON.
- 2 DEFENSA FRONTAL. / HEAD COVERING.
DÉFENSE FRONTALE / STIRNSCHUTZ.
- 3 EJE DE REENVÍO. / IDLER SPINDLE.
TIGE DE RENVOI / UMLENKSPINDEL.
- 4 RUEDA DE REENVÍO. / IDLER WHEEL.
ROUE DE RENVOI. / UMLENKRAD.
- 5 PERFIL DE ALUMINIO 20X20. / ALUMINIUM PROFILE 20X20.
PROFIL ALUMINIUM 20X20. / PROFIL ALUMINIUM 20X20.
- 6 SOPORTE PARA EJE. / SUPPORT FOR SPINDLE.
SUPPORT POUR TIGE. / SPINDEL-LAGER.
- 7 PERFIL "DESLIDUR" UHMW - PE.
PROFILE "DESLIDUR" UHMW - PE.
PROFIL "DESLIDUR" UHMW - PE.
PROFIL "DESLIDUR" UHMW - PE.
- 8 TORNILLERÍA. / FASTENERS.
VISSERIE. / VERSCHRAUBUNG.
- 9 SOPORTE LATERAL. / SIDE SUPPORT.
SUPPORT LATÉRAL. / SEITLICHLAGER.

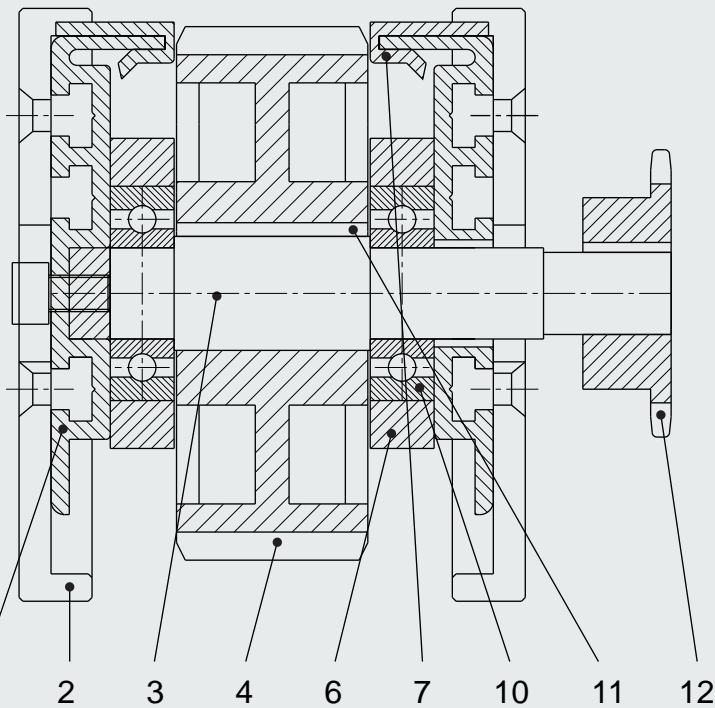
F

PERFILES ESTRUCTURALES / STRUCTURAL PROFILES
PROFILS STRUCTURELS / STRUKTURPROFILE

CABEZAL DE TRACCIÓN - ALUMINIO 105 mm. / DRIVE SYSTEM - ALUMINIUM 105 mm. /
 TÊTE DE TRACTION - ALUMINIUM 105 mm. / ZUGFÖRDERUNG - KÖPF - ALUMINIUM 105 mm.



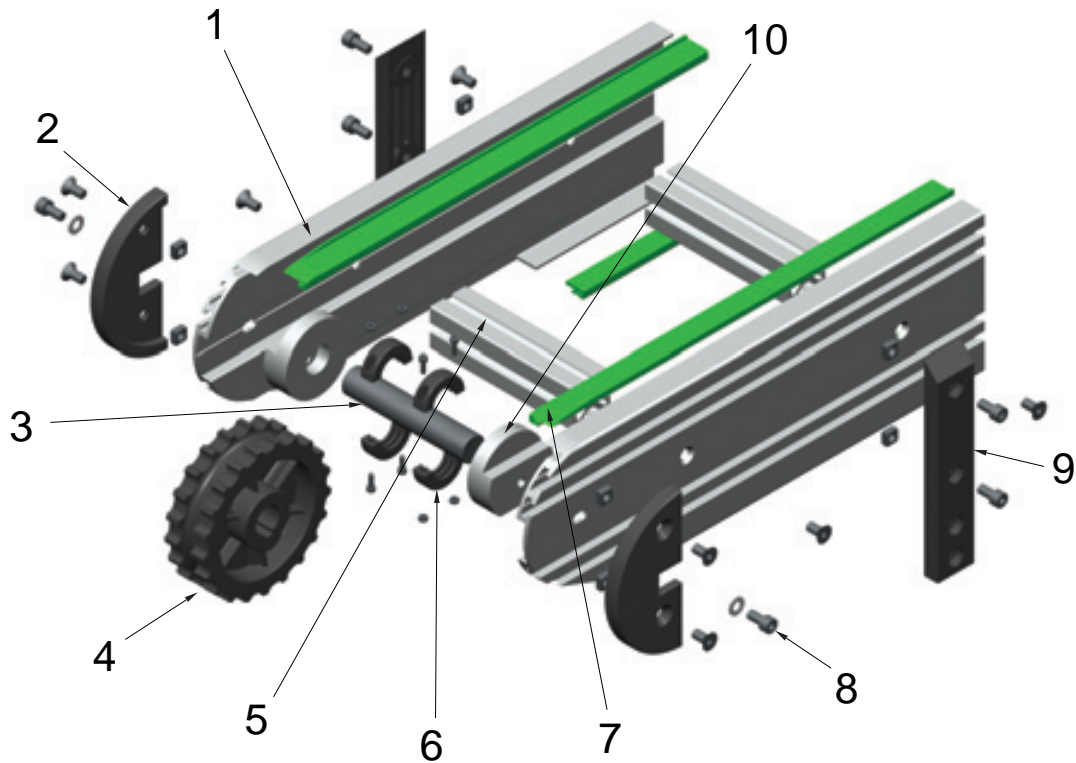
CABEZAL DE TRACCIÓN - ALUMINIO 105 mm. / DRIVE SYSTEM - ALUMINIUM 105 mm.
 TÊTE DE TRACTION - ALUMINIUM 105 mm. / ZUGFÖRDERUNG - KÖPF - ALUMINIUM 105



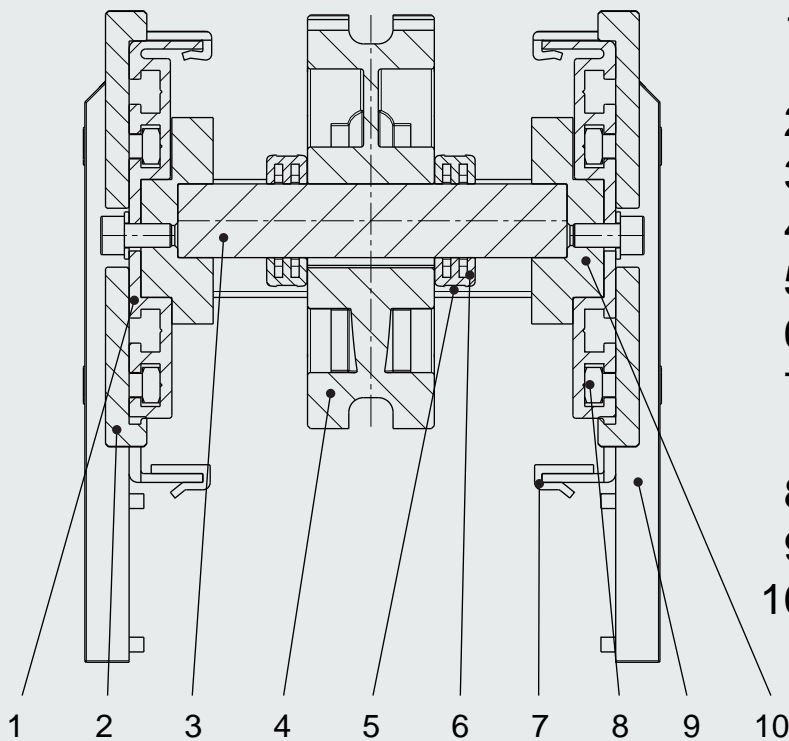
- 1 PERFIL ALUMINIO 105 mm. ANODIZADO 20 MICRAS.
ALUMINIUM PROFILE 105 mm. ANODIZED 20 MICRON.
PROFIL ALUMINIUM 105 mm. ANODISÉ 20 MICRON.
PROFIL ALUMINIUM 105 mm. ELOXIERTES 20 MIKRON.
- 2 DEFENSA FRONTAL. / HEAD COVERING.
DÉFENSE FRONTALE. / STIRNSCHUTZ.
- 3 EJE DE TRACCIÓN. / SPINDLE.
TIGE DE TRACTION. / ANTRIEBS-SPINDEL.
- 4 RUEDA DE TRACCIÓN. / DRIVE SPROCKET.
ROUE DE TRACTION. / ANTRIEBSRAD.
- 5 PERFIL DE ALUMINIO 20X20. / ALUMINIUM PROFILE 20X20.
PROFIL ALUMINIUM 20X20. / PROFIL ALUMINIUM 20X20.
- 6 SOPORTE PARA EJE Y RODAMIENTO. /
SUPPORT FOR SPINDLE AND BEARING. /
SUPPORT POUR TIGE ET PALIER. /
SPINDEL UND FLANCSHLAGER.
- 7 PERFIL "DESLIDUR" UHMW - PE.
PROFILE "DESLIDUR" UHMW - PE.
PROFIL "DESLIDUR" UHMW - PE.
PROFIL "DESLIDUR" UHMW - PE.
- 8 TORNILLERÍA. / FASTENERS.
VISSERIE. / VERSCHRAUBUNG.
- 9 SOPORTE LATERAL. / SIDE SUPPORT.
SUPPORT LATÉRAL / SEITLICHLAGER.
- 10 RODAMIENTO. / BEARING.
PALIER / FLANCSHLAGER.
- 11 CHAVETA. / COTTER PIN.
CLAVETTE. / KEIL.
- 12 PIÑÓN DE TRANSMISIÓN. / DRIVE SPROCKET.
ROUE DE TRACTION. / ANTRIEBSRAD.

F

CABEZAL DE REENVÍO - ALUMINIO 150 mm. / IDLER SYSTEM - ALUMINIUM 150 mm. /
TÊTE DE RENVOI - ALUMINIUM 150 mm. / RÜCKREISEN KÖPF - ALUMINIUM 150 mm.



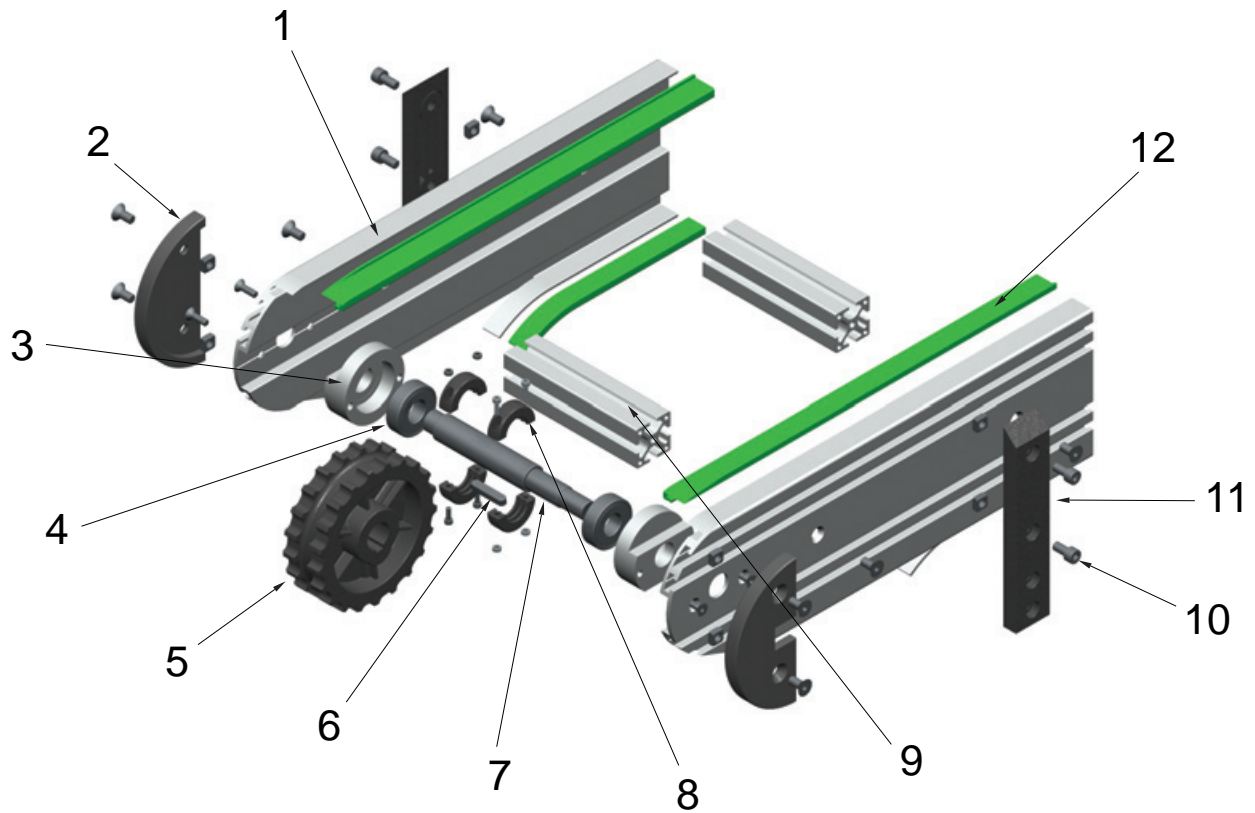
CABEZAL DE REENVÍO - ALUMINIO 150 mm. / IDLER SYSTEM - ALUMINIUM 150 mm. /
TÊTE DE RENVOI - ALUMINIUM 150 mm. / RÜCKREISEN KÖPF - ALUMINIUM 150 mm. .



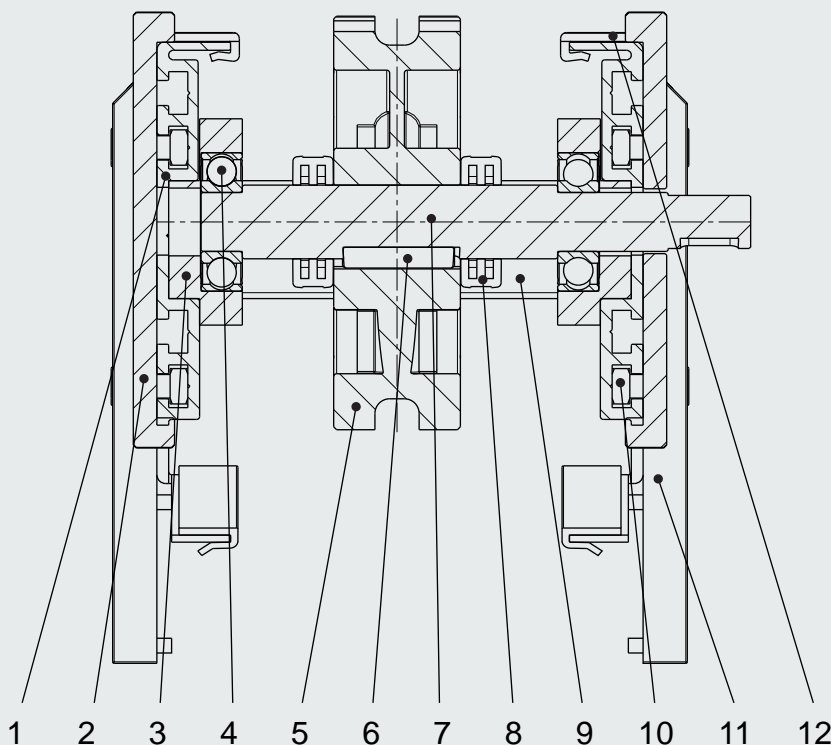
- 1 PERFIL ALUMINIO 150 mm. ANODIZADO 20 MICRAS.
ALUMINIUM PROFILE 150 mm. ANODIZED 20 MICRON.
PROFIL ALUMINIUM 150 mm. ANODISÉ 20 MICRON.
PROFIL ALUMINIUM 150 mm. ELOXIERTES 20 MIKRON.
- 2 DEFENSA FRONTAL. / HEAD COVERING.
DÉFENSE FRONTALE. / STIRNSCHUTZ.
- 3 EJE DE REENVÍO. / IDLER SPINDLE.
TIGE DE RENVOI. / UMLENKSPINDEL.
- 4 RUEDA DE REENVÍO. / IDLER WHEEL.
ROUE DE RENVOI. / UMLENKRAD.
- 5 PERFIL DE ALUMINIO 20X20. / ALUMINIUM PROFILE 20X20.
PROFIL ALUMINIUM 20X20. / PROFIL ALUMINIUM 20X20.
- 6 ANILLO ASEGURADOR. / SPLIT COLLAR.
ANNEAU DE SECURITÉ. / GETEILTE STELLRINGE.
- 7 PERFIL "DESLIDUR" UHMW - PE.
PROFILE "DESLIDUR" UHMW - PE.
PROFIL "DESLIDUR" UHMW - PE.
PROFIL "DESLIDUR" UHMW - PE.
- 8 TORNILLERÍA. / FASTENERS.
VISSERIE. / VERSCHRAUBUNG.
- 9 SOPORTE LATERAL. / SIDE SUPPORT.
SUPPORT LATÉRAL. / SEITLICHLAGER.
- 10 SOPORTE PARA EJE. / SUPPORT FOR SPINDLE.
SUPPOR POUR TIGE. / SPINDEL - LAGER.

F

CABEZAL DE TRACCIÓN - ALUMINIO 150 mm. / DRIVE SYSTEM - ALUMINIUM 150 mm. /
TÊTE DE TRACTION - ALUMINIUM 150 mm. / ZUGFÖRDERUNG - KÖPF - ALUMINIUM 150 mm.



CABEZAL DE TRACCIÓN - ALUMINIO 150 mm. / DRIVE SYSTEM - ALUMINIUM 150 mm. /
TÊTE DE TRACTION - ALUMINIUM 150 mm. / ZUGFÖRDERUNG - KÖPF - ALUMINIUM 150 mm.



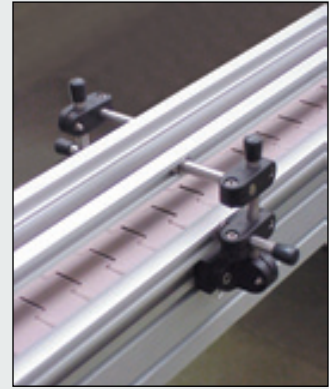
- 1 PERFIL ALUMINIO 150 mm. ANODIZADO 20 MICRAS.
ALUMINIUM PROFILE 150 mm. ANODIZED 20 MICRON.
PROFIL ALUMINIUM 150 mm. ANODISÉ 20 MICRON.
PROFIL ALUMINIUM 150 mm. ELOXIERTES 20 MICRON.
- 2 DEFENSA FRONTAL. / HEAD COVERING.
DÉFENSE FRONTALE. / STIRNSCHUTZ.
- 3 SOPORTE PARA EJE Y RODAMIENTO. /
SUPPORT FOR SPINDLE AND BEARING. /
SUPPORT POUR TIGE ET PALIER. /
SPINDEL UND FLANSCHLAGER.
- 4 RODAMIENTO. / BEARING.
PALIER / FLANSCHLAGER.
- 5 RUEDA DE TRACCIÓN. / DRIVE SPROCKET.
ROUE DE TRACTION. / ANTRIEBSRAD.
- 6 CHAVETA. / COTTER PIN.
CLAVETTE. / KEIL.
- 7 EJE DE TRACCIÓN. / SPINDLE.
TIGE DE TRACTION. / ANTRIEBS-SPINDEL.
- 8 ANILLO ASEGURADOR. / SPLIT COLLAR.
ANNEAU DE SECURITÉ. / GETEILTE STELLRINGE.
- 9 PERFIL DE ALUMINIO 20X20. / ALUMINIUM PROFILE 20X20.
PROFIL ALUMINIUM 20X20. / PROFIL ALUMINIUM 20X20.
- 10 TORNILLERÍA. / FASTENERS.
VISSERIE. / VERSCHRAUBUNG.
- 11 SOPORTE LATERAL. / SIDE SUPPORT.
SUPPORT LATÉRAL. / SEITLICHLAGER.
- 12 PERFIL "DESLIDUR" UHMW - PE.
PROFILE "DESLIDUR" UHMW - PE.
PROFIL "DESLIDUR" UHMW - PE.
PROFIL "DESLIDUR" UHMW - PE.

F

Mesa acumulación / Accumulation table /
Table d'accumulation



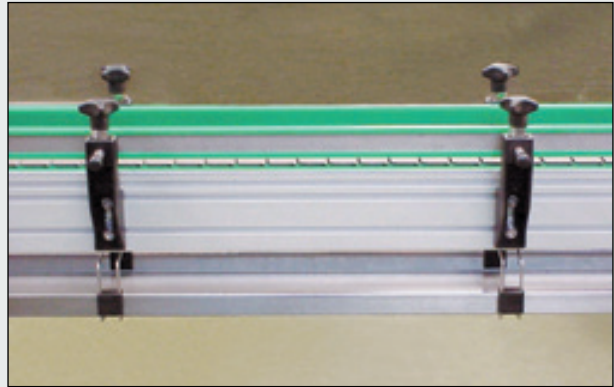
Transportador / Conveyor /
Convoyeur / Förderanlagen



Mesa recepción / Reception table /
Table de reception



Lateral transportador / Conveyor side /
Convoyeur latéral

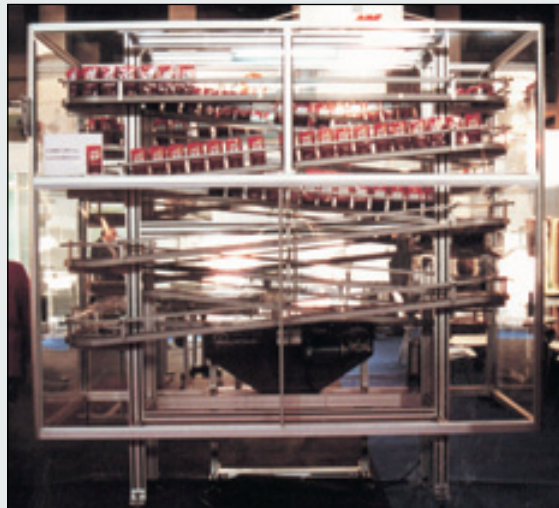


Transportadores - recorrido curvo / Curved conveyors /
Convoyeur courbe

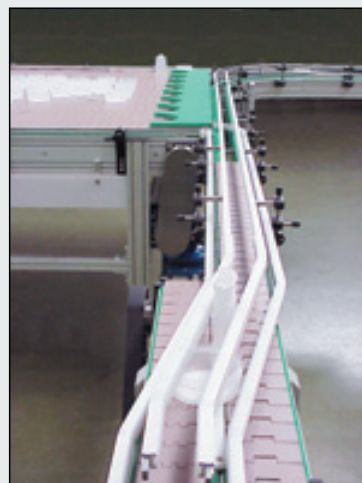
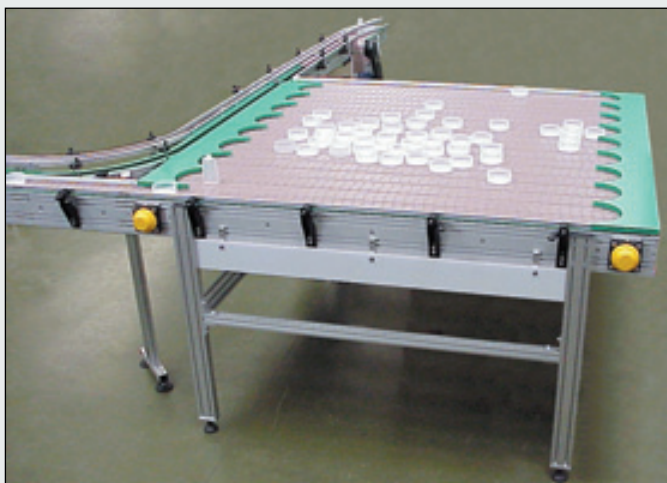


F

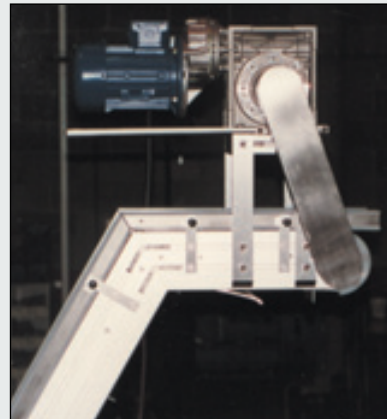
Transportador de acumulación + Carenado / Accumulation conveyor + Frame /
Convoyeur d'accumulation + Carenage



Mesa de acumulación sin presión / Accumulation table without pressure /
Table d'accumulation sans pression

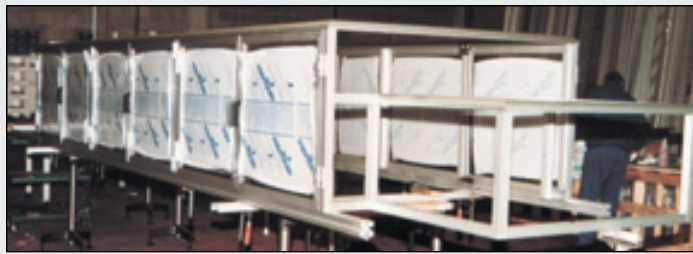


Transportador inclinado / Bend conveyor /
Convoyeur incliné

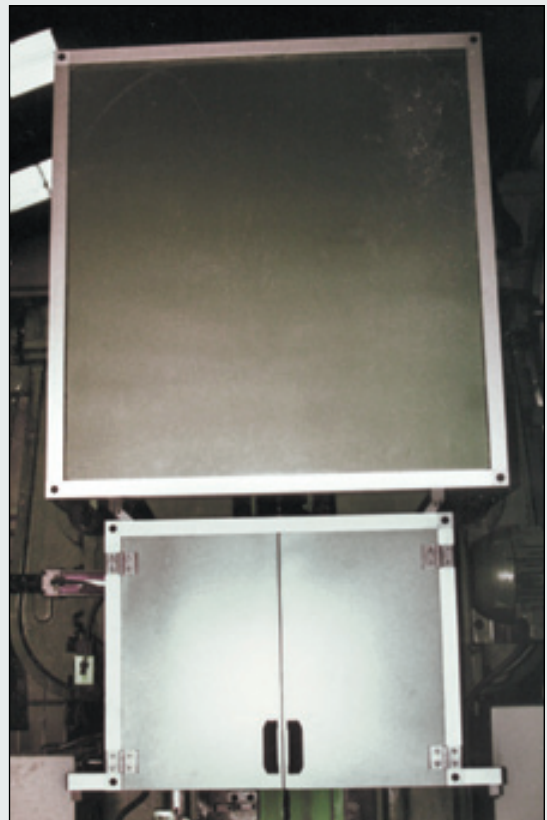


F

Protección máquina / Machine protection / Carter de protection



Mampara separación / Screen separation /
Panneaux de separation



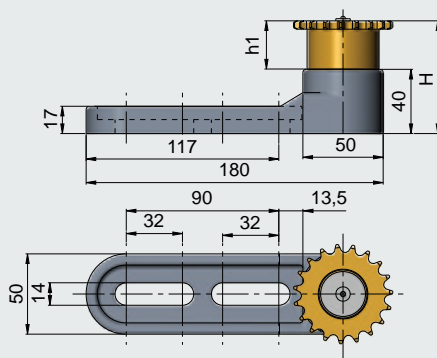
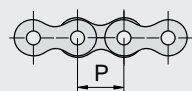
F

A large gray rectangular area with horizontal red lines, intended for writing notes.

F

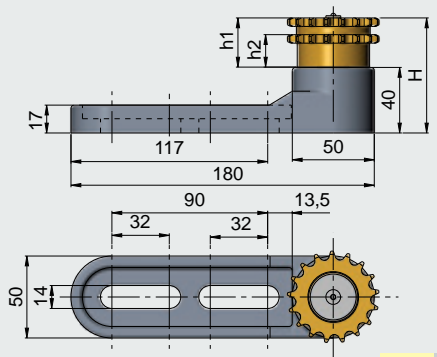


**OTROS PRODUCTOS
OTHER PRODUCTS
AUTRES PRODUITS
ANDERE PRODUKTE**



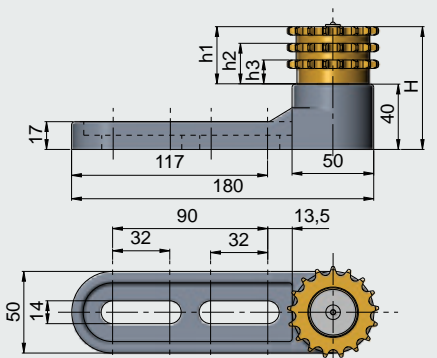
M Brazo de fundición. Piñón en Acero Carbono.
 Casting arm. Carbon steel sprocket.
 Corps fonte. Pignon acier au carbone.
 Arm aus Guss. Ritzel aus Kohlenstoffstahl.

P	ISO	Z	TIPO / TYPE / TYP - BS					Kg	COD.	
			H	h1	h2	h3				
3/8"	06B-1	Z-19	70	30	-	-	1,40	TB1001	3	
1/2"	08B-1	Z-15	70	30	-	-	1,41	TB1007		
5/8"	10B-1	Z-15	70	30	-	-	1,54	TB1009		
3/4"	12B-1	Z-13	75	35	-	-	1,89	TB1010		
1"	16B-1	Z-11	75	35	-	-	2,14	TB1013		



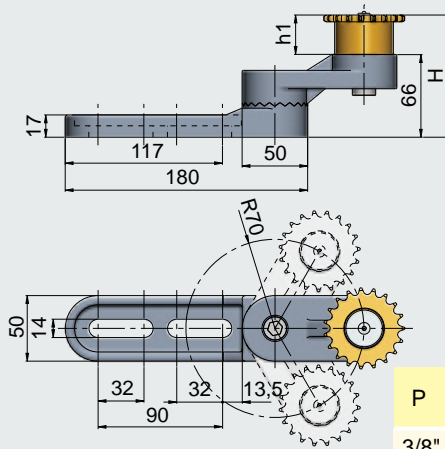
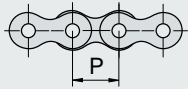
M Brazo de fundición. Piñón en Acero Carbono.
 Casting arm. Carbon steel sprocket.
 Corps fonte. Pignon acier au carbone.
 Arm aus Guss. Ritzel aus Kohlenstoffstahl.

P	ISO	Z	TIPO / TYPE / TYP - BD					Kg	COD.	
			H	h1	h2	h3				
3/8"	06B-2	Z-19	70	30	20	-	1,46	TB1001D	3	
1/2"	08B-2	Z-15	75	35	21	-	1,55	TB1007D		
5/8"	10B-2	Z-15	75	35	18	-	1,73	TB1009D		
3/4"	12B-2	Z-13	75	35	16	-	2,04	TB1010D		
1"	16B-2	Z-11	95	55	23	-	2,84	TB1013D		



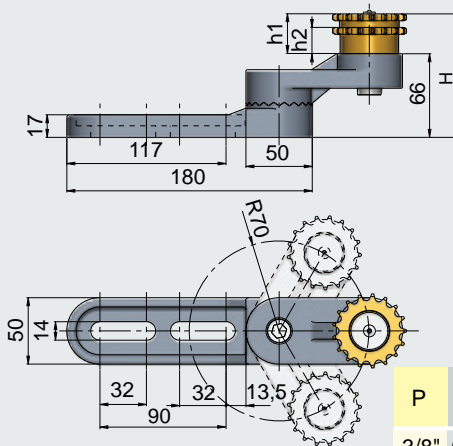
M Brazo de fundición. Piñón en Acero Carbono.
 Casting arm. Carbon steel sprocket.
 Corps fonte. Pignon acier au carbone.
 Arm aus Guss. Ritzel aus Kohlenstoffstahl.

P	ISO	Z	TIPO / TYPE / TYP - BT					Kg	COD.	
			H	h1	h2	h3				
3/8"	06B-3	Z-19	75	35	25	15	1,52	TB1001T	3	
1/2"	08B-3	Z-15	80	40	26	12	1,64	TB1007T		
5/8"	10B-3	Z-15	-	-	-	-	1,92	TB1009T		
3/4"	12B-3	Z-13	95	55	35,6	16	2,19	TB1010T		
1"	16B-3	Z-11	140	100	68	36	3,54	TB1013T		



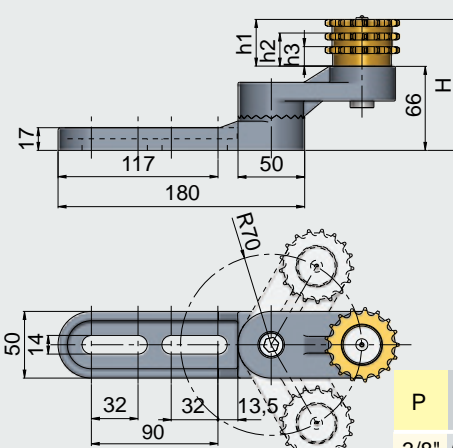
M Brazo de fundición. Piñón en Acero Carbono.
 Casting arm. Carbon steel sprocket.
 Corps fonte. Pignon acier au carbone.
 Arm aus Guss. Ritzel aus Kohlenstoffstahl.

P	ISO	Z	TIPO / TYPE / TYP - AS					COD.	
			H	h1	h2	h3	Kg		
3/8"	06B-1	Z-19	96	30	-	-	2,04	TBA1001	3
1/2"	08B-1	Z-15	96	30	-	-	2,05	TBA1007	
5/8"	10B-1	Z-15	96	30	-	-	2,18	TBA1009	
3/4"	12B-1	Z-13	101	35	-	-	2,53	TBA1010	
1"	16B-1	Z-11	101	35	-	-	2,78	TBA1013	



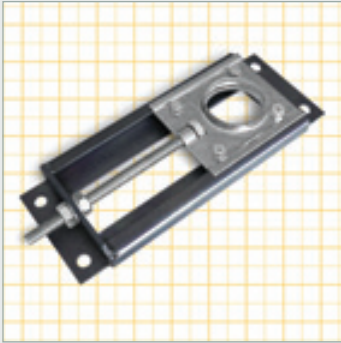
M Brazo de fundición. Piñón en Acero Carbono.
 Casting arm. Carbon steel sprocket.
 Corps fonte. Pignon acier au carbone.
 Arm aus Guss. Ritzel aus Kohlenstoffstahl.

P	ISO	Z	TIPO / TYPE / TYP - AD					COD.	
			H	h1	h2	h3	Kg		
3/8"	06B-2	Z-19	96	30	20	-	2,14	TBA1001D	3
1/2"	08B-2	Z-15	101	35	21	-	2,19	TBA1007D	
5/8"	10B-2	Z-15	101	35	18	-	2,23	TBA1009D	
3/4"	12B-2	Z-13	101	35	16	-	2,68	TBA1010D	
1"	16B-2	Z-11	121	55	23	-	3,48	TBA1013D	



M Brazo de fundición. Piñón en Acero Carbono.
 Casting arm. Carbon steel sprocket.
 Corps fonte. Pignon acier au carbone.
 Arm aus Guss. Ritzel aus Kohlenstoffstahl.

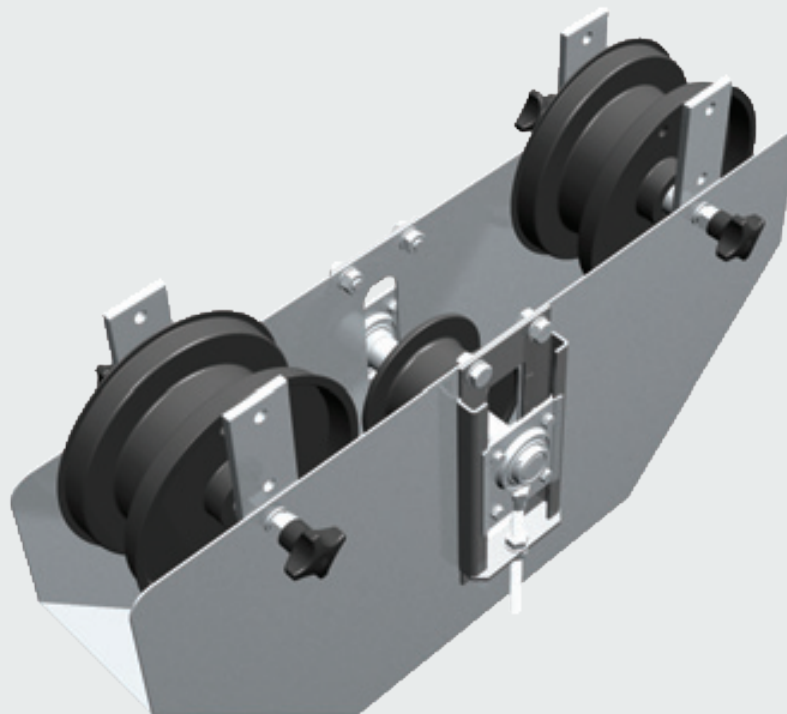
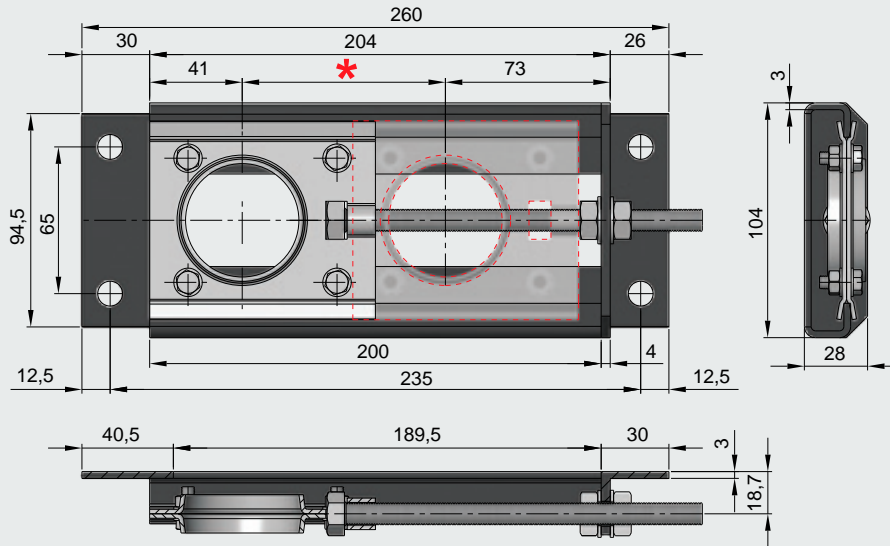
P	ISO	Z	TIPO / TYPE / TYP - AT					COD.	
			H	h1	h2	h3	Kg		
3/8"	06B-3	Z-19	101	35	25	15	2,16	TBA1001T	2
1/2"	08B-3	Z-15	106	40	26	12	2,28	TBA1007T	
5/8"	10B-3	Z-15	-	-	-	-	2,56	TBA1009T	
3/4"	12B-3	Z-13	121	55	35,6	16	2,83	TBA1010T	
1"	16B-3	Z-11	166	100	68	36	4,18	TBA1013T	



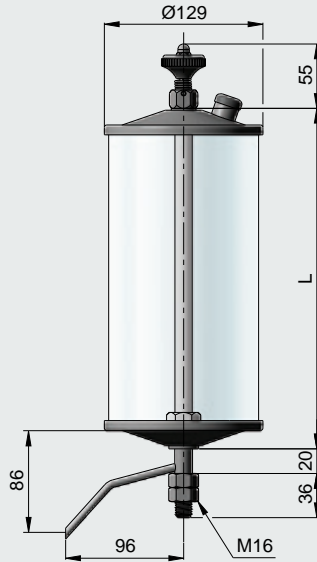
- * Recorrido de 90 mm.
- * Run 90 mm.
- * Trajet 90 mm.
- * Strecke 90 mm.

M Acero. / Steel. / Acier. / Stahl.

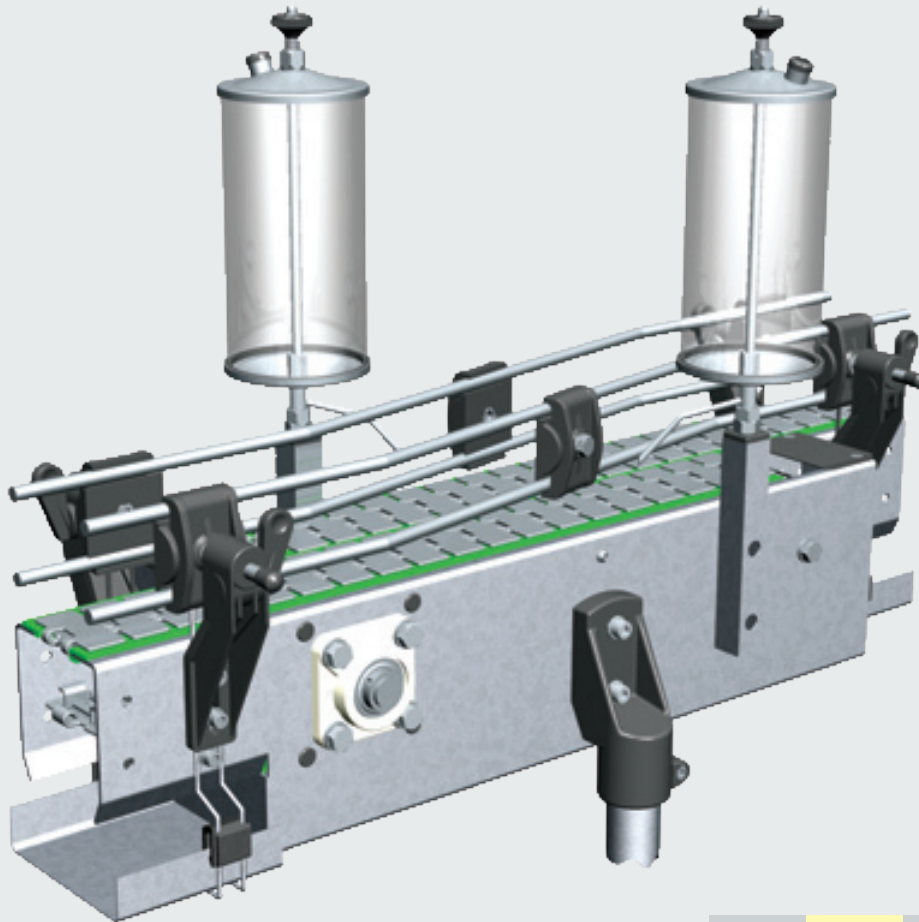
- SIN RODAMIENTO - A utilizar (SB205)
- WITHOUT BEARING - To use (SB205)
- SANS ROULEMENT - A utiliser (SB205)
- OHNE WÄLZLAGER - Zu verwenden (SB205)



Kg.	COD.	
1,20	TSB205	4



- M** Cuerpo y tornillería Acero inoxidable, tubo metacrilato.
 Head and fastener in stainless steel, tub in metrakilate.
 Corps visserie acier inox, tube en méthacrylate.
 Gehäuse und Verschraubungen aus Edelstahl 1.4301, Sichtrohr aus Methacrylat.



Litros/Liters Litres	L	Kg.	COD.	
1'5	275	0,90	8417387	
2'5	375	1,00	8417389	1
3'5	475	1,20	8417392	

REGULACION DE ENGRASE POR LIMITACION DE ENTRADA DE AIRE. /
 GREASER REGULATION BY AIR INTAKE-REDUCTION. /
 REGULATION REGLABLE PAR LIMITATION D'ENTRÉE D'AIR. /
 (FETT) DOSIERUNG BEI LUFT EINGANG BEGRENZEN.



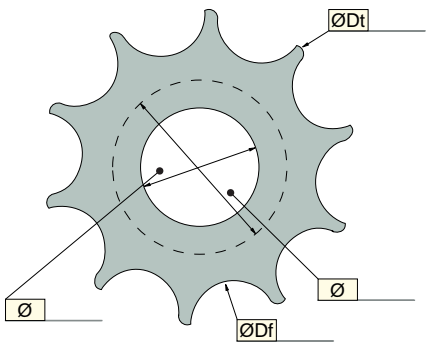
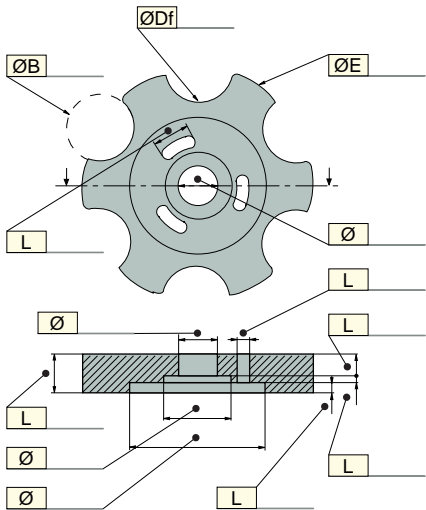
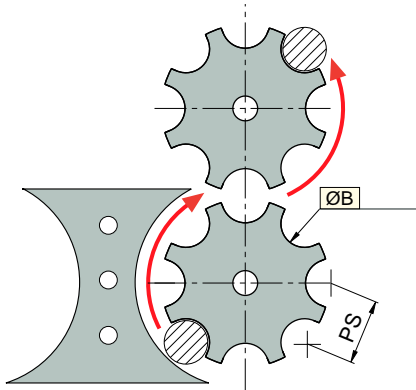
Indicándonos los datos que les solicitamos a continuación, les podemos fabricar ajustándonos a sus necesidades, las estrellas posicionadoras y los sinfines de alimentación o posicionadores que Uds. necesitan. **NOTE:** If you indicate the data that we request as follows, we can manufacture the stars and endless guides according to your needs.

SABER:

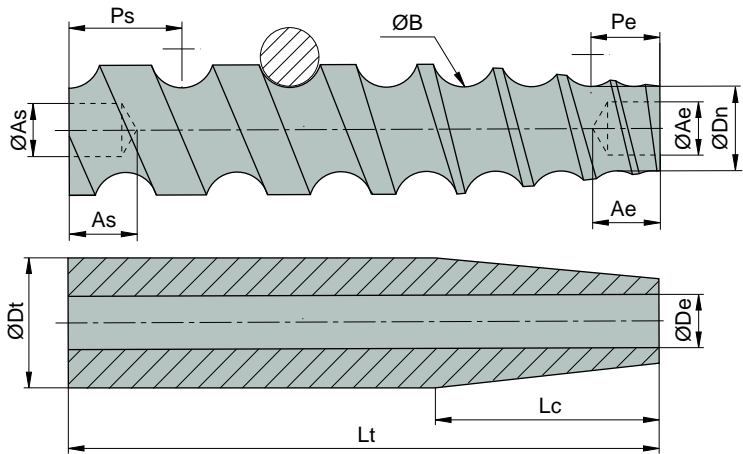
Paso en la entrada = diámetro de la botella
 Paso en la salida = paso en la estrella
 $\varnothing B$ = diámetro de la botella ± 5 mm.
TENER EN CUENTA:
 E = número de entradas del sinfín
 Np = número de pasos o vueltas
 Sentido de rosca (Dibujo derecha)

NOTE:

Entry pitch = bottle diameter
 Exit pitch = star pitch
 $\varnothing B$ = bottle diameter + 5 mm
REMEMBER:
 E = number of endless guide entries
 Np = number of passes or turns
 Screw thread direction (right thread in diagram)



Dimensiones bajo pedido / Sizes on request



* $\varnothing De$: Sólo cuando el agujero de entrada, atraviesa todo el sinfín.
 * $\varnothing De$: Only when entry hole goes across all the guide.



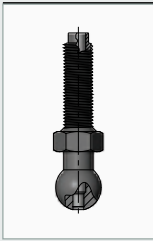
Son necesarios para fabricación los siguientes datos:
 The following details are required for manufacture:

Color material Deslidur / Deslidur material colour

$\varnothing Ae$	= Agujero lado entrada / Entry side hole.	
$\varnothing As$	= Agujero lado salida / Exit side hole.	
$\varnothing B$	= Diámetro de la botella / Biottle diametre	
$\varnothing De^*$	= Diámetro eje pasante / Pin diameter	
$\varnothing Dt$	= Diámetro total / Total diameter.	
$\varnothing Dn$	= Diámetro núcleo / Core diameter.	
$\varnothing Df$	= Diámetro de fondo / Rear diameter	
E	= Diámetro máximo / Maximun diametre	
G°	= Grado cono entrada / Entry cone degrees.	
L	= Longitud / Length.	
Lc	= Longitud cono entrada / Enty cone length.	
Lt	= Longitud total / Total length.	
Pe	= Paso en la entrada / Entry pitch.	
Ps	= Paso en la salida / Exit pitch.	
R	= Radio de la herramienta / Tool radius.	



**INFORMACION TECNICA
TECHNICAL INFORMATION
INFORMATIONS TECHNIQUES
TECHNISCHE INFORMATIONEN**

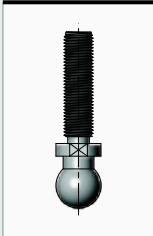


Tipo de eje / Spindle type / Type tige: A

Eje recubierto de poliamida con ánima de Acero
Disponibile en M16 para las bases de diámetro 63, 100, 110, 125
Ideal para aplicaciones con requisitos de carga pequeños.

Spindle covered of polyamide with the internal part available in Steel
Available in M16 base diameter 63, 100, 110, 125.
Ideal for small load utilisation.

Axe recouvert de polyamide avec âme disponible en acier
Disponibile en M16 pour les embases diamètre 63, 100, 110, 125
Idéal pour les applications de petites charges

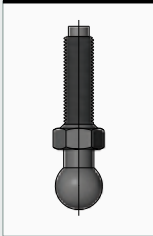


Tipo de eje / Spindle type / Type tige: B

Eje disponible en Acero Inox o Zincado fabricado en una sola pieza.
Disponibile en M8, M10, M12, M14, M16, M20, M24 para bases de diámetro 40, 50, 60SS, 63, 80, 80SS, 100, 100SS, 110, 125.
Longitudes según tabla.

Spindle available in Stainless Steel or Zinc plated steel. Manufactured in on piece.
Available in M8, M10, M12, M14, M16, M20, M24 for base diameter 40, 50, 60SS, 63, 80, 80SS, 100, 100SS, 110, 125.
Length according to table.

Axe disponible en acier inoxydable ou zingué . Fabriqué d'une seule pièce.
Disponibile en M8, M10, M12, M14, M16, M20, M24 pour embases diamètre 40, 50, 60SS, 63, 80, 80SS, 100, 100SS, 110, 125.
Longueurs selon table.

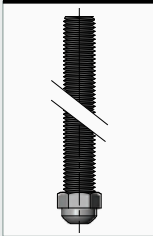


Tipo de eje / Spindle type / Type tige: J

Eje de poliamida disponible en M16 para bases de diámetro 63, 100, 110, 125.
Ideal para aplicaciones con requisitos de carga pequeños.

Polyamide Spindle available in M16 for bases diameter 63, 100, 110, 125.
Highly recommended in applications with low weight requirements.

Axe de polyamide disponible en M16 pour bases diamètre 63, 100, 110, 125.
Idéales pour applications de petites charges.

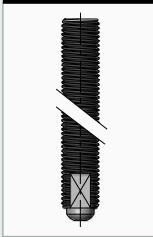


Tipo de eje / Spindle type / Type tige: P

Eje disponible en Acero Inox. o Zincado con base hexagonal. Fabricado de una sola pieza. Disponible en M16 o M20 para pies articulados de diámetro 130. Longitudes según tabla.
Ideal para aplicaciones con requisitos de carga elevados y que precisen de ligeros grados de inclinación.

Spindle available in Stainless Steel or Zinc plated steel with hexagonal base. Manufactured in on piece.
Available in M16 o M20 for articulated feet diameter 130.
Length according to table. Ideal for heavy load utilization and light inclination requirement.

Axe disponible en acier inoxydable ou zingué avec base hexagonale. Fabriqué d'une seule pièce. Disponible en M16 ou M20 pour pieds articulés de diamètre 130. Longueur selon table
Idéal pour applications de charges élevées et qui demandent de légers degrés d'inclinaison

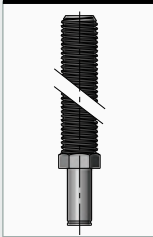


Tipo de eje / Spindle type / Type tige: Q

Eje disponible Acero Inox o Zincado. Fabricado de una sola pieza. Disponible en M24 o M30 para pies articulados de diámetro 130 Longitudes según tabla. Ideal para aplicaciones con requisitos de carga elevados y que precisen de ligeros grados de inclinación.

Spindle available in Stainless Steel or Zinc plated steel. Manufactured in on piece.
Available in M24 o M30 for articulated feet diameter 130.
Length according to table. Ideal for heavy load utilization and light inclination requirement.

Axe disponible en acier inox ou zingué. Fabriqué d'une seule pièce.
Disponibile en M24 ou M30 pour pieds articulés de diamètre 130
Longueur selon table Idéal pour les applications de charges élevées et qui demandent de légers degrés d'inclinaison

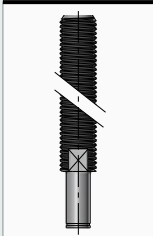


Tipo de eje / Spindle type / Type tige: R

Eje disponible en Acero Inox o Zincado con base hexagonal. Fabricado de una sola pieza. Disponible en M16 o M20 para pies fijos de diámetro 130. Longitudes según tabla. Ideal para aplicaciones con requisitos de carga elevados.

Spindle available in Stainless Steel or Zinc plated steel with hexagonal base.
Manufactured in on piece. Available in M16 o M20 for fixed feet diameter 130.
Length according to table Ideal for heavy loads.

Axe disponible en acier inox ou zingué avec base hexagonale. Fabriqué d'une seule pièce.
Disponibile en M16 ou M20 pour pieds fixes de diamètre 130
Longueurs selon table Idéal pour applications de charges élevées



Tipo de eje / Spindle type / Type tige: S

Eje disponible en Acero Inox o Zincado. Fabricado de una sola pieza. Disponible en M24 o M30 para pies fijos de diámetro 130 Longitudes según tabla. Ideal para aplicaciones con requisitos de carga elevados.

Spindle available in stainless steel or Zinc plated steel. Single piece manufactured proces.
Available in M24 o M30 for fixed feets diameter 130.
Lenght according table. Ideal for heavy loads.

Axe disponible en acier inox ou zingué. Fabriqué d'une seule pièce
Disponibile en M24 ou M30 pour pieds fixes de diamètre 130
Longueur selon table. Idéal pour applications de charges élevées

ACETAL BAJA FRICCIÓN (LF)

Material termoplástico con aditivos especiales que permiten obtener muy bajos coeficientes de rozamiento y alta resistencia a la tracción. Los componentes específicos de este material lo hacen idóneo para usar incluso en lugares donde no es posible la lubricación y muy especialmente para cadenas de carrera curva.
Material con certificado FDA.

ACETAL (D)

Termoplástico con buenas propiedades mecánicas. Se usa sin aditivos especiales en transportadores convencionales.
Material con certificado FDA.

ACETAL BLANCO (AW)

Termoplásticos con buenas propiedades mecánicas, ideal para la utilización en líneas de transporte de alimentos
Material con certificado FDA.

POLIPROPILENO REFORZADO (PP + FV)

Polipropileno reforzado con fibra de vidrio. Material que presenta una alta resistencia a los agentes químicos.

POLIAMIDA

Material que dispone de una elevada tenacidad y buena absorción de ruidos.

POLIAMIDA REFORZADA

Variante de la poliamida con las propiedades mecánicas y térmicas mejoradas.

POLIETILENO UHMW-PE - DESLIDUR

Poliétileno de ultra elevado peso molecular, es el material más usado en aplicaciones de fricción dado la relación precio calidad. Para usar tanto en guías de deslizamiento como en ruedas de reenvío que puedan incluso trabajar directamente sobre el eje. (más información ver catálogo DESLIDUR)
Material con certificado FDA.

KEVLAR® (KV)

Material termoplástico con fibras de Kevlar especiales que otorgan de gran resistencia al desgaste, muy bajo coeficiente de fricción, lubricación no necesaria, reducción del ruido y disminución de la energía a usar.
Material no autorizado por FDA.

LOW FRICTION ACETAL (LF)

This is a thermoplastic material with special additives providing low friction coefficients and high tensile strength. This material's specific components make ideally suited for use in places where lubrication is impossible, particularly in curved-route chains.
Material with certificate FDA.

ACETAL (D)

This thermoplastic has extremely good mechanical properties. It is used without any special additives in conventional conveyors.
Material with certificate FDA.

WHITE ACETAL (AW)

Thermoplastics with good mechanical properties, ideal used for food conveyors belts.
Material with certificate FDA.

REINFORCED POLYPROPYLENE (PP + FV)

Fibre-glass reinforced polypropylene. This material is highly resistant to chemical agents.

POLIAMIDA

This material has high tenacity and good noises absorption polyamide.

REINFORCED POLYAMIDE

Polyamide variant with mechanical and thermal properties improved

POLYETHYLENE UHMW-PE - DESLIDUR

The ultra high molecular weight polyethylene is the material more used in friction applications in view of his peice-quality relation. It can be used in sliding guides as with idler wheels, that can even work directly over the axis (for more information see the DESLIDUR catalogue)
Material with certificate FDA.

KEVLAR® (KV)

This is a thermoplastic material with special Kevlar fibres offering great resistance to erosion, very low friction coefficient, no need of lubrication, noise reduction and less energy consumption.
Material not authorized by FDA

ACÉTAL BASSE FRICTION (LF)

Matériau thermoplastique avec des additifs spéciaux qui permettent d'obtenir de très petits coefficients de frottement et une grande résistance à la traction. Grâce à ses composants spécifiques, ce matériau est idéal même dans les endroits où la lubrification n'est pas possible et tout particulièrement pour les chaînes à course courbe.

ACÉTAL (D)

Thermoplastique ayant de bonnes propriétés mécaniques. On l'emploie sans adjuvants spéciaux dans les transporteurs conventionnels.

ACETAL BLANC (AW)

Thermoplastique avec de bonnes propriétés mécaniques idéal pour l'utilisation en ligne de transports d'aliments.
Matériau avec certificat FDA.

POLYPROPYLENE RENFORCÉ (PP + FV)

Polypropylène renforcé avec de la fibre de verre, matériau très résistant aux agents chimiques.

POLIAMIDE

Matériau qui offre une grande ténacité et une bonne absorption des bruits.

POLIAMIDE RENFORCÉE

Variante de la polyamide avec les propriétés mécaniques et thermiques améliorées.

POLYÉTHYLÈNE UHMW-PE - DESLIDUR

Polyéthylène qui a un poids moléculaire extrêmement élevé; c'est le matériau le plus employé dans les applications de friction pour son rapport qualité/prix. Employé aussi bien dans les glissières que dans les roues de renvoi qui peuvent même travailler sur l'axe (pour plus d'information, se reporter au catalogue DESLIDUR)

KEVLAR® (KV)

Matériau thermoplastique avec fibres de Kevlar spéciales qui offrent une grande résistance à l'usure, un très petit coefficient de friction, il ne faut pas lubrification aucune, réduction du bruit et moins consommation d'énergie.

Delrin® con Kevlar® son marcas registradas de E.I. Dupont y afiliados / Delrin® with Kevlar® are trade marks by E.I. Dupont and affiliated

ACERO TRATADO (S)

Acero al carbono, tratado, que permite obtener alta dureza superficial. Muy usual en transportadores para la industria metalmeccánica.

AISI 430 (SS)

Din 1.4016 - Calidad magnética 17% Cr. Endurecido por laminación en frío. A una dureza de 850 N/mm. Es usado en la mayoría de las instalaciones de embotellado. Es el más económico de los Aceros Inoxidables.
También para tuercas AISI304.

AISI 304 (SSS)

Din 1.4301 - Acero Austenítico 18/8 - Cr Ni Cromo Níquel. Laminado en frío endurecido a 28 HRC. Permite combinar una alta resistencia a la tracción con un elevado límite elástico. Material no magnético. Es el más usado en industrias alimenticias, incluso en lugares donde el producto esta en contacto con la cadena.

SUPER TENAZ (SSC)

Aleación de acero inox. magnético. Cromo Níquel Manganese. Laminado en frío. Especialmente indicado para líneas de alta velocidad y grandes prestaciones.

SS302

Variante del Acero Inoxidable especialmente desarrollado para ser utilizado en todos los ejes de cadenas de Acero Inoxidable. Permite obtener durezas superiores a los 1400 N/mm.

SS420

Variante del Acero Inoxidable sometido a un tratamiento de templado lo que permite un aumento considerable en su dureza. Presenta un límite de dureza de 41-44 HRC

SS316

Variante del Acero Inoxidable con una gran resistencia a los agentes ácidos.
Usado en algunas de nuestras cadenas de Polipropileno + Fibra de Vidrio.

SS304

Variante de Acero Inoxidable endurecido por laminación al frío para mejorar el rendimiento de las cadenas termoplásticas. Permite obtener durezas hasta 1100 N/mm2

SS303

Variante del Acero Inoxidable utilizada en la fabricación de ejes para pies. Presenta una gran resistencia a las cargas.

TREATED STEEL (S)

Carbon treated steel provides extreme surface hardness. Commonly used in conveyors for the engineering industry.

AISI 430 (SS)

Din 1.4016 - Magnetic grade, 17% Cr. Hardened by cold rolling to a hardness of 850 N/MM. Used in the majority of bottling plants. It is the most economical of the stainless steels.
Also for nuts AISI304.

AISI 304 (SSS)

DIN 1.4301 - Austenitic steel 18/8 - CRNI Chrome nickel. Cold rolled to 28 HRC. Makes it possible to combine high tensile strength with a high elastic limit. Non-magnetic. The most commonly used material in the food industry, even where the product is in direct contact with the chain.

SUPER TENAZ (SSC)

A magnetic stainless steel alloy. Chrome nickel magnesium. Cold rolled. Specially suitable for high speed and high performance lines.

SS302

A type of stainless steel specially developed for use in all stainless steel chain pins. Hardnesses of over 1400 N/MM.

SS420

Stainless steel variant using hardened treatment to achieve superior resistance.
It resistance limit is 41 - 44 HRC

SS316

Stainless steel variant with superior acid resistance. Used in somme of our chains in polypropylene + glass fiber.

SS304

Stainless steel variant hardened using rolling coil to improve thermoplastic chains weariness up to 1100 N/mm2 resistance

SS303

Stainless steel variant used in spindle feet manufacturing process. Showcase superior load resistance.

ACIER TRAITÉ (S)

Acier au carbone, traité, qui permet d'obtenir une grande dureté superficielle. Très usual dans les transporteurs pour l'industrie métallo-mécanique.

AISI 430 (SS)

Din 1.4016 - Qualité magnétique 17% CR. Durci par laminage à froid. Une dureté de 850 N/MM. Utilisé dans la plupart des installations de mise en bouteille. C'est le plus économique de tous les aciers inoxydables.
Aussi écrou AISI304.

AISI 304 (SSS)

DIN 1.4301 - Acier austénitique 18/8 - CR. Ni chrome nickel. Laminé à froid durci 28 HRC. Permet de combiner une grande résistance à la traction et une limite élastique élevée. Matériau non magnétique. C'est le plus utilisé dans l'industrie alimentaire, même dans les endroits où le produit est en contact avec la chaîne.

SUPER TENACE (SSC)

Alliage d'acier inox. magnétique. Chrome nickel manganèse, laminé à froid. Spécialement indiqué pour les lignes à grande vitesse et grandes prestations.

SS302

Variante de l'acier inoxydable, spécialement conçu pour être utilisé dans tous les axes de chaînes en acier inoxydable. Permet d'obtenir des duretés supérieures à 1400 N/MM.

SS420

Variante de l'acier inoxydable soumis à un traitement de trempage ce qui permet une augmentation considérable de sa dureté. Présente une limite de dureté de 41 - 44 HRC

SS316


Variante de l'acier inoxydable avec une grande résistance aux agents acides. Utilisé avec nos chaînes en polypropylène chargé de fibre de verre.

SS304


Variante de l'acier inoxydable durci par laminage à froid pour améliorer le rendement des axes des chaînes thermoplastiques. Permet d'obtenir une dureté jusqu'à 1100 N/mm2

SS303


Variante de l'acier inoxydable utilisé dans la fabrication des axes pour les pieds. Présente une grande résistance aux charges.

 Nuestro Departamento Técnico en constante desarrollo y en colaboración con los más importantes suministradores de materias primas, está en condiciones de desarrollar con nuestros clientes, soluciones específicas para otras aplicaciones.

- Material Antiestático.
- Altas temperaturas.
- Resistencia a los rayos ultravioletas.

 Our constantly developing engineering department, in collaboration with the leading raw materials suppliers, offers our clients the possibility of specific solutions to suit their particular application needs.

- Antistatic material.
- High temperatures.
- Ultraviolet ray resistant.

 Notre département technique, en constant développement et en collaboration avec les plus importants fournisseurs de matières premières, peut développer avec nos clients, des solutions spécifiques pour d'autres applications.



- matériel antistatique
- hautes températures
- résistance aux rayons ultra-violet

TEMPERATURAS EXTREMAS DE FUNCIONAMIENTO EN CONTINUO


EXTREME TEMPERATURES FOR CONTINUOUS WORKING

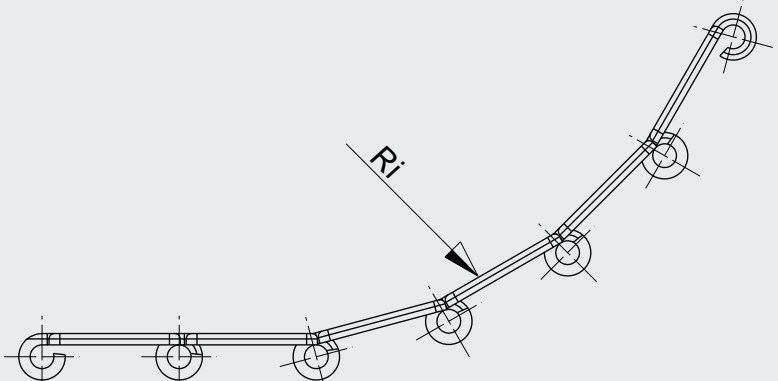
	TEMPERATURA MINIMA MINIMUM TEMPERATURE TEMPERATURE MINIMALE MINDESTTEMPERATUR	TEMPERATURA MAXIMA / MAXIMUM TEMPERATURE TEMPERATURE MAXIMALE / HOCHSTTEMPERATUR	
		Amb. Seco / Dry environment	
		Amb. Seco / Dry environment	Amb. humedo / Wet environment
ACETAL LF	- 40	+ 85	+ 70
ACETAL D	- 40	+ 85	+ 70
POLIPROPILENO REFORZADO (PP+FV)	+ 5	+ 105	+ 105
POLIAMIDA	- 5	+ 80	+ 90
POLIAMIDA REFORZADA	- 10	+ 120	+ 120
POLIETILENO UHMW-PE - DESLIDUR	- 40	+ 80	+ 70
ACERO INOXIDABLE SSC	- 40	+ 260	+ 120
ACERO INOXIDABLE 304 (SSS)	- 40	+ 400	+ 120
ACERO TRATADO	- 40	+ 180	+ 120

CARGAS DE ROTURA / BREAKING LOADS

	M	Newton		M	Newton
400	AW	6500	820	LF	3200
450	AW	1500	821	LF	6500
515	SSS	10400	880	LF	5200
550	LF	6500	880 R	LF	4500
600	AW	8000	881	SSS SSC	10000 9500
610	AW	8000	882	LF	8000
805	SSS SSC	19000 19000	900	D	4000
810	SSS SSC	4500 4500	1700	AW	6500
815	SSS SSC	10200 10400	9000	LF/PP	4500
			9100	LF/PP	4500

RADIOS DE GIRO INVERSO / BACK BEND RADIUS

	Ri.
400	300
450	150
515	75
550	50
610	50
805	150
810	75
815**	150
820	40
821	40
843	90
863	125
900	0
880	40
881	50
882	40
1843	75
1873	300
1873G	150

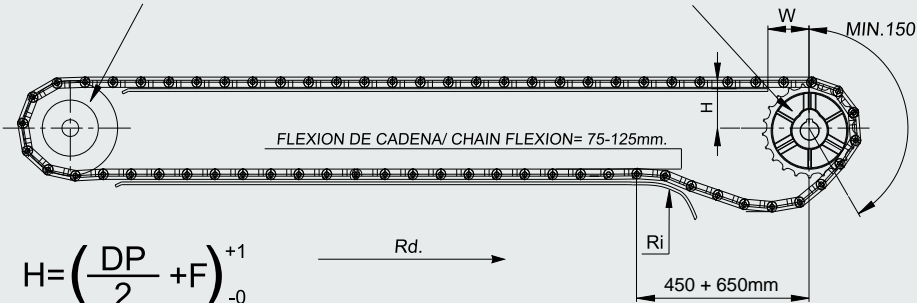


** Bajo pedido se puede suministrar con radio inverso de 75 mm. ** Back bend radius of 75 mm available on request.
 ** Disponible sur commande avec un rayon inversé de 75 mm ** Kan auf anfrage mit umlenkradius von 75 mm geliefert werden.

MEDIDAS DE MONTAJE DE PIÑONES / SPROCKETS ASSEMBLY SIZES

RUEDA DE REENVÍO/IDLER WHEEL

RUEDA DE TRACCIÓN/DRIVE SPROKET



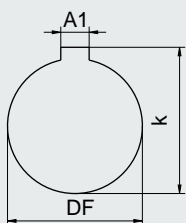
$$H = \left(\frac{DP}{2} + F \right)_{-0}^{+1}$$

	F	W
400	7,80	35
500	-12,00	50
515	3,90	25
600	-18,50	85
610	-14,00	65
805	3,90	38
810	3,90	38
815	3,90	38
820	3,90	38
821	3,90	38
843	5,95	25
863	10,30	38
880	4,00	38
881	3,90	38
882	5,00	38
1873	9,50	38

MEDIDAS DE EJE / HOLE SIZE



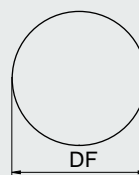
RUEDA TRACCIÓN / DRIVE SPROKET



DF	A1	K
25 ^{+0,021} ₋₀	8 ^{+0,036} ₋₀	28,3 ^{+0,02} ₋₀
30 ^{+0,021} ₋₀	8 ^{+0,036} ₋₀	33,3 ^{+0,02} ₋₀
35 ^{+0,025} ₋₀	10 ^{+0,036} ₋₀	38,3 ^{+0,02} ₋₀
40 ^{+0,025} ₋₀	12 ^{+0,043} ₋₀	43,3 ^{+0,02} ₋₀
45 ^{+0,025} ₋₀	14 ^{+0,043} ₋₀	48,8 ^{+0,02} ₋₀
50 ^{+0,028} ₋₀	14 ^{+0,043} ₋₀	53,8 ^{+0,02} ₋₀



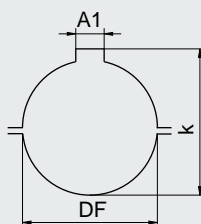
RUEDA REENVÍO / IDLER WHEEL



DF
25 ^{+0,4} _{+0,2}
30 ^{+0,4} _{+0,2}
35 ^{+0,4} _{+0,2}
40 ^{+0,4} _{+0,2}
45 ^{+0,4} _{+0,2}
50 ^{+0,4} _{+0,2}



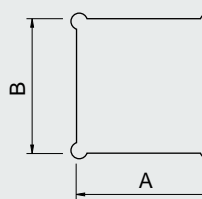
RUEDA TRACCIÓN PARTIDA / SPLIT SPROKET



DF	A1	K
25 ^{-0,022} _{-0,074}	8 ^{+0,036} ₋₀	28,3 ^{+0,02} ₋₀
30 ^{-0,022} _{-0,074}	8 ^{+0,036} ₋₀	33,3 ^{+0,02} ₋₀
35 ^{-0,026} _{-0,088}	10 ^{+0,036} ₋₀	38,3 ^{+0,02} ₋₀
40 ^{-0,026} _{-0,088}	12 ^{+0,043} ₋₀	43,3 ^{+0,02} ₋₀
45 ^{-0,026} _{-0,088}	14 ^{+0,043} ₋₀	48,8 ^{+0,02} ₋₀
50 ^{-0,026} _{-0,088}	14 ^{+0,043} ₋₀	53,8 ^{+0,02} ₋₀



RUEDA EJE CUADRADO / ROUE AVEC AXE CARRÉ



A	B
25 ^{+0,5} _{+0,3}	25 ^{+0,5} _{+0,3}
30 ^{+0,5} _{+0,3}	30 ^{+0,5} _{+0,3}
35 ^{+0,5} _{+0,3}	35 ^{+0,5} _{+0,3}
40 ^{+0,5} _{+0,3}	40 ^{+0,5} _{+0,3}
45 ^{+0,5} _{+0,3}	45 ^{+0,5} _{+0,3}
50 ^{+0,5} _{+0,3}	50 ^{+0,5} _{+0,3}

Por qué usar DESLIDUR?

- Para incrementar la duración y conservación de las CADENAS DE RODILLOS, DE PLATILLOS, CORREAS,...
- Para disminuir el ruido en nuestras instalaciones, al rozar el perfil o la guía DESLIDUR con el acero el ruido disminuye considerablemente si lo comparamos con otros materiales. Mejorando así el ambiente de trabajo.
- El uso de los perfiles DESLIDUR disminuye las necesidades de potencia.
- Los perfiles DESLIDUR son autolubricados por consiguiente disminuye las necesidades de mantenimiento.
- Los materiales con los que están fabricados los perfiles DESLIDUR, están aprobados para su uso, por la FDA/ USDA, en contacto directo con alimentos.
- Las temperaturas de trabajo se encuentran entre -40°C y 80°C, junto con la nula absorción de humedad, permiten a los perfiles DESLIDUR adaptarse a una amplia gama de usos.
- El material DESLIDUR es reciclable.

PRINCIPALES PROPIEDADES DE LOS PERFILES DESLIDUR:

- Muy alta resistencia a la abrasión
- Muy bajo coeficiente de fricción
- Nula absorción de humedad
- Alta resistencia al impacto y a la torsión
- Excelente resistencia a productos químicos
- Aprobado para las aplicaciones de alimentación
- Homogeneidad del material

USOS Y MONTAJES

El DESLIDUR se comporta correctamente en un intervalo de temperatura constante entre: -40°C a +80°C, excepcionalmente, y en intervalos de tiempo cortos puede llegar hasta los 120° C. Cuando el rango de temperaturas sea mayor que el recomendado, consultar con nuestro Departamento Técnico-Comercial.

Uno de los puntos importantes a tener en cuenta en el montaje, es el coeficiente de dilatación lineal: 2 mm/metro por cada 10° C de variación en el rango comprendido entre 20° y 100°.

Para evitar las consecuencias de este fenómeno podemos optar por ejemplo:

- CORTES A 45°, en cada unión o conexión del perfil, este sistema es utilizado principalmente con perfiles soportados por guías metálicas.

Why using DESLIDUR?

- DESLIDUR profiles (wearstrips) increase the duration and conservation of roller chains, plate chains, belts,...
- DESLIDUR profiles reduce the noise in the factories, improving the working environment.
- DESLIDUR profiles reduce power requirements.
- DESLIDUR profiles are self lubricated, therefore, they decrease the necessities of maintenance.
- The material with which DESLIDUR profiles are fabricated have been approved by the FDA/USDA and may be used in direct contact with food products.
- The operating temperature, from -40° to 80° C, without humidity absorption, allows DESLIDUR profiles to adapt to a wide range of uses.
- DESLIDUR material is re-cyclable.

PRINCIPAL PROPERTIES OF DESLIDUR PROFILES:

- High abrasion resistance
- Low co-efficient of friction
- No absorption of humidity
- High resistance to impact and flexibility
- Excellent chemical resistance
- Approved for food applications
- Homogeneity of materials

USES AND ASSEMBLY

DESLIDUR profiles perform exceptionally well at a constant temperature between -40°C to 80°C, and for short periods of time up to a temperature of 120°C.

When the temperature is higher than the one recommended, please consult our commercial-technical department.

When assembling it must be foreseen the coefficient of linear dilation, 2 mm/meter for every 10 degrees of variation in the range of 20°C to 100°C.

To avoid consequences of this phenomenon you may choose, for example, to cut the profile at an angle of 45° at every joining point. This system is principally used with profiles supported by metal guides, according to the drawing below.

Pour quoi utiliser DESLIDUR?

- Pour augmenter la durée et la conservation des chaînes à palette, courroies...
- Pour diminuer le bruit des installations, en frottant le profil ou le guide DESLIDUR avec l'acier, le bruit diminue considérablement si nous le comparons avec les autres matériaux.
- On améliore ainsi l'ambiance de travail. L'utilisation des profils DESLIDUR diminue les puissances absorbées.
- Les profils DESLIDUR sont autolubrifiants, par conséquent, diminuent les nécessités d'entretien.
- Les matériaux avec lesquels sont fabriqués les profils DESLIDUR sont approuvés par son usage, par la FDA: USDA, en contact directe avec les aliments.
- Les températures de travail se situent entre -40°C et +80°C, avec une absorption d'humidité nulle, ce qui permet aux profils DESLIDUR de s'adapter à une large gamme d'utilisation.
- La matière première " DESLIDUR " se recycle.

PRINCIPALES PROPRIETES DES PROFILS DESLIDUR:

- Très haute résistance à l'abrasion
- Très bas coefficient de friction
- Aucune absorption de l'humidité
- Haute résistance aux chocs et à la torsion
- Excellente résistance aux produits chimiques
- Convient pour les applications alimentaires
- Homogénéité du matériau

UTILISATION ET MONTAGE

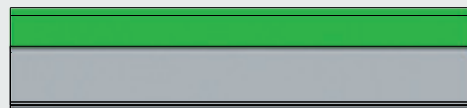
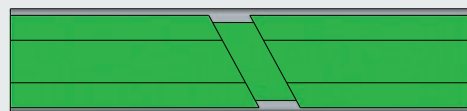
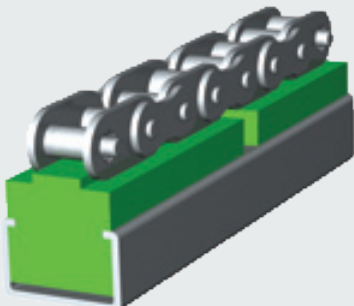
Le DESLIDUR se comporte correctement à des températures constantes comprises entre -40°C et +80°C. Exceptionnellement, et pour de courtes périodes de temps, on peut atteindre les 120°C.

Si le niveau de température d'utilisation est supérieur à celui qui est recommandé, consulter notre département technico-commercial.

L'un des points importants à prendre en compte au niveau du montage est le coefficient de dilatation linéaire : Le matériau va s'allonger de 2 mm/mètre chaque 10°C de variation compris entre 20 et 100°C.

Il est possible de remédier à ce phénomène de la façon suivante :

- couper le profil à 45° à chaque point de jonction, ce système est utilisé principalement avec les profils supportant les rails métalliques



Propiedades de los materiales plásticos DESLIDUR

CARACTERÍSTICAS MECÁNICAS DEL DESLIDUR. En la fábrica de materias plásticas T.M. AVE se producen y transforman semiacabados y piezas terminadas a partir de polietileno de baja presión y ultraelevado peso molecular -DESLIDUR- en plantas de moderna tecnología por el procedimiento de prensar para sinterizar y por el procedimiento de extrusión. Los materiales altamente resistentes al desgaste ofrecen posibilidades para solucionar muchos problemas técnicos en los casos en los que los componentes mecánicos y los elementos constructivos están sometidos a esfuerzos extremos.

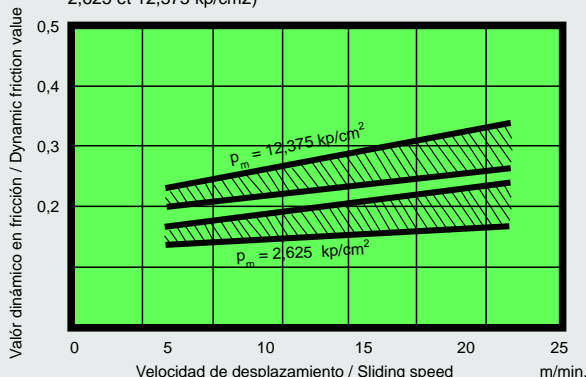
POLIETILENO DE BAJA PRESIÓN Y ULTRAELEVADO PESO MOLECULAR PE UHMW -DESLIDUR
T.M. AVE utiliza como materia prima @HOSTALEN GUR que se fabrica según el método del Profesor Ziegler. @HOSTALEN GUR es un polietileno de baja presión y ultraelevado peso molecular -DESLIDUR- con un grado de polimerización muy alto. El peso molecular está entre 4,5 y 8 millones, según el método de luz dispersa, y de más de 1 millón según el método de determinación viscosimétrica. El peso molecular extremadamente alto garantiza decisivas mejoras en las propiedades antidesgastes del polietileno, a saber, resistencia al choque, resistencia a la rotura y resistencia a la flexión y otros importantes valores técnicos. Los valores permanecen favorables incluso a las más bajas temperaturas. Además el DESLIDUR ultraaltamente molecular es autolubricante.

PROPIEDADES DE DESLIZAMIENTO Y COEFICIENTE DE FRICCIÓN
DESLIDUR es un material cuyas propiedades de deslizamiento son excelentes. Mediante unas mediciones comparativas con otros plásticos se ha demostrado que en caso de fricción seca deslizante contra metales, tales como el acero, latón o cobre, el material presenta unas propiedades autolubrificantes. Las propiedades de deslizamiento de emergencia son favorables, esto es, los casquillos de cojinetes hechos de DESLIDUR que soportan los árboles, son insensibles a las suciedades (polvo, arena y similares), y contra las inclinaciones transversales. Estas condiciones impiden el llamado "gripado" de los árboles. Requisito para el perfecto funcionamiento de estos cojinetes es, sin embargo, que se disipe el calor de fricción eficazmente al exterior.

ABSORCIÓN DE AGUA
DESLIDUR es hidrófugo y no presenta ningún fenómeno de hinchamiento. Por esta razón, sus sobresalientes propiedades son independientes del índice de humedad del medio ambiente de la pieza terminada, a diferencia de los plásticos que absorben humedad, por ejemplo las poliamidas.
Una absorción de agua que se aprecia ante todo al cambiar de temperatura se basa únicamente en la condensación escasa de humedad en la superficie.

COMPORTAMIENTO FISIOLÓGICO
Los correspondientes tipos de DESLIDUR son inoloros e insípidos. No hay reparos en que se entre en contacto con productos alimenticios.

Dependencia de valor dinámico de fricción del Hostalen GUR en relación a la velocidad de deslizamiento (a presiones medias superficiales de $p_m = 2,625$ y $12,375$ kp/cm²)
Relationship between the dynamic friction value of Hostalen GUR and sliding speed (at average surface pressures of $p_m = 2,625$ y $12,375$ kp/cm²).
Relation entre la valeur dynamique de friction de l'Hostalen GUR et la vitesse de glissement (surface moyenne de pression de $p_m = 2,625$ et $12,375$ kp/cm²)



Properties of DESLIDUR plastic materials

DESLIDUR'S MECHANICAL PRODUCTS
The T.M. AVE plastics factory uses leading edge technology to produce and process semi-finished and fully finished items from a low pressure, ultrahigh molecular weight polyethylene called DESLIDUR, by means of pressing and sintering or extrusion procedures. These materials, which are highly resistant to wear and tear, make it possible to offer solutions to many technical problems where the mechanical components and construction elements are subjected to extreme stress.

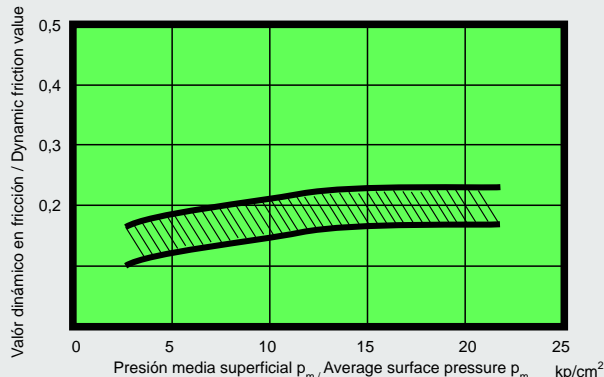
LOW PRESSURE ULTRAHIGH MOLECULAR WEIGHT POLYETHYLENE UHMW PE -DESLIDUR
As its raw material, T.M. AVE uses @HOSTALEN GUR, manufactured according to Professor Ziegler's method. @HOSTALEN GUR is a low pressure, ultrahigh molecular weight polyethylene, known as DESLIDUR, which exhibits high polymerization properties. Its molecular weight goes from 4.5 to 8 million when measured by the light dispersion method and over 1 million when determined viscometrically. This extremely high molecular weight ensures that the polyethylene has enhanced wear-resistant properties, in particular as regards its impact strength, fracture strength and bending strength among other key technical features. The values of such properties remain high even under the coldest temperature conditions. In addition, ultrahigh molecular weight DESLIDUR is self-lubricating.

SLIDING PROPERTIES AND FRICTION COEFFICIENT
DESLIDUR has excellent sliding properties. Comparative studies with other plastics have shown that it has self-lubricating properties when used in dry friction situations when sliding against metals such as steel, brass or copper. Its emergency sliding properties are also very good. The DESLIDUR bearing sleeves holding the shafts are unaffected by dirt (dust, sand and similar particles) or lateral flexing. Such properties prevent the so-called "gripping" of the shafts. However an essential condition for these bearings to work to their full potential is that the heat caused by the friction be dissipated to the outside.

WATER ABSORPTION
DESLIDUR is hydrofugous and does not swell. This means that, unlike humidity-absorbing plastics such as the polyimides, its outstanding features are independent of the degree of humidity in the environment of the finished part.
The absorption of water which can sometimes be seen, particularly when there is a change in temperature, is due only to the slight condensation of humidity on the surface.

PHYSIOLOGICAL BEHAVIOUR
The different types of DESLIDUR are odourless and tasteless. There is no reason why they should not come into contact with food products.

Dependencia de valor dinámico de fricción del Hostalen GUR en relación a la presión media superficial (a una velocidad constante de deslizamiento de $v=10$ m/min.)
Relationship between the dynamic friction value of Hostalen GUR and average surface pressure (at a constant sliding speed of $v=10$ m/min).
Relation entre la valeur dynamique de friction de l'Hostalen GUR et la surface moyenne de pression (à une vitesse constante de glissement de $v=10$ m/mn)



Propriétés des matériaux plastiques DESLIDUR

CARACTÉRISTIQUES MÉCANIQUES DU DESLIDUR. L'usine de plastique de T.M. AVE utilise une technologie moderne pour produire et transformer des produits semi-finis et pièces complètes à partir de polyéthylène basse pression et avec un très haut poids moléculaire appelé DESLIDUR, par un moyen de presse et de frittage et les procédés d'extrusion. Ces matériaux hautement résistants à l'usure offrent des possibilités pour solutionner beaucoup de problèmes techniques dans les cas où les composants mécaniques et les éléments de construction sont soumis à des efforts extrêmes.

POLYÉTHYLÈNE BASSE PRESSION ET POIDS MOLÉCULAIRE ULTRA ÉLEVÉ PE UHMW DESLIDUR
HOSTALEN GUR est la matière première que T.M. AVE utilise et qui est fabriquée selon la méthode du Professeur Ziegler. HOSTALEN GUR est un polyéthylène basse pression et avec un poids moléculaire ultra élevé DESLIDUR avec un degré de polymérisation très haut. Le poids moléculaire est compris entre 4.5 et 8 millions selon la méthode de mesure par diffraction de la lumière et de plus de un million selon la méthode de détermination viscosimétrique. Le poids moléculaire extrêmement élevé garanti des améliorations décisives des propriétés anti usure du polyéthylène, à savoir : résistance aux chocs, résistance à la rupture et à la flexion et autres importantes valeurs techniques. Ces valeurs restent favorables y compris aux très basses températures. De plus, le Deslidur à poids moléculaire ultra élevé est autolubrifiant.

PROPRIÉTÉS DE GLISSEMENT ET COEFFICIENT DE FRICTION
DESLIDUR est un matériau dont les propriétés de glissement sont excellentes. Des études comparatives avec d'autres plastiques ont démontré que ce matériau présente des propriétés auto-lubrifiantes quand il est utilisé dans des situations de friction à sec lorsqu'il glisse contre du métal tels que l'acier, le laiton ou le cuivre. Les bagues des paliers en DESLIDUR qui supportent les arbres ne sont pas affectées par la saleté (poussière, sable ou autres) ou les inclinaisons transversales. Ces conditions empêchent ce que l'on appelle "le grippage" des arbres. Néanmoins une condition, essentielle pour obtenir un fonctionnement parfait de ces paliers est de dissiper efficacement à l'extérieur la chaleur causée par la friction.

ABSORPTION DE L'EAU
Le DESLIDUR est hydrofuge et ne présente aucun phénomène de gonflement. Pour cette raison ses remarquables propriétés sont indépendantes du degré d'humidité dans l'environnement de la pièce réalisée à la différence des plastiques qui absorbent l'humidité, par exemple les polyamides

COMPORTEMENT PHYSIOLOGIQUE
Les différents types de Deslidur sont inodores et insipides. Ils peuvent donc parfaitement rentrer en contact avec des produits alimentaires.

SUSTANCIA QUÍMICA Temperatura hasta 65°C CHEMICAL SUBSTANCE Temperatures up to 65°C	Poliamida / Polyamide	Acero / Steel	Acero Inox. - AISI 304 / Stainless Steel - AISI 304	Acero Inox. AISI 430-Supertenaz / Stainless Steel AISI 430-Supertenaz	Acetal y Acetal LF / Acetal and Acetal LF	Deslidur P.U.A. P.M. / Deslidur UHMW PE
Acetona / Acetone	B	NS	B	B	B	B
Acido Acético / Acetic acid (max. 5%)	NS	NS	B	NS	NS	B
Acido Cítrico / Citric acid	R	NS	B	R	R	B
Acido Fórmico / Formic acid	NS	B	B	B	B	B
Acido Fosfórico / Phosphoric acid (max. 10%)	NS	NS	B	NS	NS	B
Acido Hidroclorhídrico / Hydrochloric acid (max.2%)	NS	NS	NS	NS	NS	R
Acido Lácteo / Lactic acid	B	NS	B	NS	B	B
Acido Nítrico / Nitric acid	NS	NS	B	R	NS	R
Acido Sulfhídrico / Sulphide acid	NS	NS	NS	NS	NS	NS
Aceite (vegetal o mineral) / Oil (vegetable or mineral)	B	B	B	B	B	B
Agua y jabón / Soap and water	B	R	B	B	B	B
Agua fresca / Fresh water	B	NS	B	B	B	B
Agua Marina / Sea Water	NS	R	B	R	B	B
Alcohol / Alcohol	B	B	B	B	B	B
Amoniaco / Ammonia	B	R	B	B	NS	B
Bebidas refrescos / Soft drinks	B	B	B	B	B	B
Bebidas alcohólicas / Spirits	B	B	B	B	B	B
Benceno / Benzene	B	B	B	B	B	R
Benzol / Benzol	B	B	B	B	B	B
Cerveza / Beer	B	B	B	B	B	B
Chocolate / Chocolat	R	B	B	B	R	R
Clorhídrico Sódico / Sodium hydrochloride	B	NS	R	NS	B	B
Gasolina / Petrol	B	B	B	B	B	R
Hidróxido Sódico / Sodium hydroxide (max. 25%)	B	NS	B	B	NS	B
Hipoclorito Sódico / Sodium hypochlorite	B	NS	NS	NS	NS	B
Jugo de frutas / Fruit juices	B	NS	B	R	B	B
Jugos vegetales / Vegetable juices	B	R	B	B	B	B
Leche / Milk	B	B	B	B	B	B
Mostaza / Mustard	R	B	B	B	R	R
Parafina / Paraffin	B	B	B	B	B	B
Peróxido de Hidrógeno / Hydrogen peroxide	NS	NS	B	R	NS	R
Tetracloro Carbónico / Carbon tetrachloride	B	R	R	R	B	R
Tolueno / Toluene	NS	NS	NS	NS	B	R
Trementina / Turpentine	NS	B	B	B	NS	R
Vinagre / Vinegar	B	NS	R	NS	B	B
Vinos / Wine	B	B	B	B	B	B
Whisky / Whisky	B	B	B	B	B	B
Yodo / Iodine	NS	R	R	R	R	R
Xilol / Xilol	NS	NS	NS	NS	NS	NS

B : Buena / Good / Bonne / Gut **R** : Regular / Average / Moyenne / Mittelmäßig **NS** : No satisfactorio / Unsatisfactory / Non satisfaisante / Nicht zufriedenstellend

Esta información es una recomendación de uso, pero no una garantía. Los materiales y productos han sido testados para un uso standard, los resultados pueden cambiar en aplicaciones específicas.

This information may be considered as a basis for recommendation, but not as a guarantee. Materials and products should be tested under exact intended service conditions to determine their suitability for a particular purpose.

Tipo / Type / Typ: UCF

Modulo de Carga / Mode of Load /	Test Punto Rotura / Breaking Point Test				
	Ø20	Ø25	Ø30	Ø35	Ø40
	15950	13000	18000	18500	19100
	10250	12150	17700	18500	19250
	3650	3350	3350	3520	3790

Valores en Newtons / Informations Values in Newtons

Tipo / Type / Typ: UCL-UFL

Modulo de Carga / Mode of Load	Test Punto Rotura / Breaking Point Test				
	Ø20	Ø25	Ø30	Ø35	Ø40
	11750	11375	16450	16900	17350
	11000	13850	13350	13950	14050
	8500	11100	14200	14900	15150

Valores en Newtons / Informations Values in Newtons

Tipo / Type / Typ: UCP

Modulo de Carga / Mode of Load	Test Punto Rotura / Breaking Point Test				
	Ø20	Ø25	Ø30	Ø35	Ø40
	8800	11375	16450	16900	17350
	7700	13850	13350	13950	14050
	500	11100	14200	14900	15150

Valores en Newtons / Informations Values in Newtons

Tipo / Type / Typ: UCPA

Modulo de Carga / Mode of Load	Test Punto Rotura / Breaking Point Test				
	Ø20	Ø25	Ø30	Ø35	Ø40
	8210	8540	10370	12150	12230
	6900	7010	6580	8080	9100
	2980	2850	4950	8160	9100

Valores en Newtons / Informations Values in Newtons

- Bajo pedido / Under request / Sur demande / Auf Anfrage.
- Rodamiento con excéntrica. / Looking with excentric ring. / Bagues excentriques. / Mit exzenter Sicherungsring.
- Rodamientos acero inoxidable. / Stainless steel. / Roulements acier inoxidable. / Edelstahl Flanschlag.

Tipo / Type / Typ: SQL

Modulo de Carga / Mode of Load	Test Punto Rotura / Breaking Point Test			
	Ø20	Ø25	Ø30	Ø35
	7200	9100	12200	12900
	9200	11100	11800	11900
	2600	2800	2900	3100

Valores en Newtons / Informations Values in Newtons

Tipo / Type / Typ: ULF-M

Modulo de Carga / Mode of Load	Test Punto Rotura / Breaking Point Test			
	Ø20	Ø25	Ø30	Ø35
	8400	8800	11500	11800
	8500	9200	10900	11600
	6300	8600	10300	10500

Valores en Newtons / Informations Values in Newtons

Tipo / Type / Typ: UCHP-UCH

Modulo de Carga / Mode of Load	Test Punto Rotura / Breaking Point Test				
	Ø20	Ø25	Ø30	Ø35	Ø40
	14800	15500	15800	16500	17300
	3930	4530	5100	6500	7800
	8500	10350	10900	11300	12150
	40770	45300	46100	44100	42800

Valores en Newtons / Informations Values in Newtons

■ NUESTROS SOPORTES DE RODAMIENTOS TERMOPLÁSTICAS
Están fabricados con un alto grado de PBT, y son completamente compatibles con los convencionales soportes de acero.

Nuestros soportes no necesitan mantenimiento, esto hace que tengan una excelente resistencia mecánica, dureza y estabilidad dimensional, ya que nunca pueden ser corroídos o emmohecerse.

NUESTROS SOPORTES TERMOPLÁSTICOS, incluyen un sólido inserto para añadir resistencia y standarizarlos con los insertos de Acero Inoxidable para una máxima resistencia a la corrosión.

No existen niquelados, recubrimientos ni pinturas exteriores que puedan ser dañados.

Las unidades están disponibles opcionalmente con cubiertas, anillo de cierre y una base sólida para añadir protección y prevenir el atasco de contaminantes.

Usted puede confiar en que nuestros soportes responderán a las más duras aplicaciones. Estos soportes están fabricados para trabajar en las más severas condiciones de humedad y con temperaturas desde -35° C hasta + 102°C. Alto coeficiente de resistencia en la rotura (ASTM 0630) con un inmejorable 17,300 PSI.

UNA CAPACIDAD MAYOR DE PRESIÓN QUE OTROS SOPORTES DE RODAMIENTOS!

Nuestro coeficiente de resistencia a la presión es un 25 % mayor que otros rodamientos. Esta capacidad de sobrellevar una carga mayor le conlleva una expectativa de vida más larga para el rodamiento. Como resultado, usted obtiene el beneficio de una mayor capacidad teniendo el beneficio de una vida del rodamiento más larga.

SÓLIDO FONDO

Una sólida base que previene que no entre la suciedad al fondo del soporte. En su superficie lisa no puede almacenarse ninguna suciedad, moho o bacteria.

DESDE 20mm. A 40mm.

Todos nuestros soportes están disponibles en diversos diámetros desde 20mm. a 40mm.

LOS SÓLIDOS INSERTOS EN NUESTROS SOPORTES TERMOPLÁSTICOS NO TIENEN IGUAL!

Nuestro inserto en una pieza de acero inoxidable ha reforzado los puntos de tensión y está diseñado para una óptima resistencia a la corrosión.

Estamos dando soluciones a sus aplicaciones alimenticias, de bebidas y aplicaciones sumergidas con soportes compuestos, montados y unidos, cuyo resultado es una mejora a nivel competitivo.

Esta es la razón por la que nuestros soportes están diseñados para responder a todas sus más importantes demandas en ingeniería para:

- Inmersiones frecuentes.
- Resistencia a la corrosión.
- Resistencia a la comida y líquidos contaminantes.
- Exposición a componentes químicos ásperos.
- Exposición a un alto nivel de humedad.
- Engrasadores incorporados.

y con nuestros soportes usted tiene la capacidad de escoger la combinación que más se adecue a sus necesidades de trabajo.

BASE SÓLIDA! Vea y compruebe la diferencia de calidad! Nuestro sólido interior en las piezas termoplásticas no se romperán bajo lavados de vapor o de presión.

SÓLIDOS CASQUILLOS EN INOXIDABLE SIN JUNTAS!

Compare nuestro sólido y macizo casquillo en acero inoxidable montado en soportes termoplásticos que refuerza los puntos de tensión y están diseñados para mejorar unidades con juntas visibles que ofrecen una pequeña protección ante la corrosión.

■ OUR THERMOPLASTIC BEARING HOUSINGS

Are made of a high PBT grade and are completely compatible with standard cast iron housings.

Our housings do not need maintenance. They have an excellent mechanical resistance, hardness, and dimensional stability as they can never become rust.

OUR THERMOPLASTIC HOUSINGS include a solid insert which is increasing its resistance and standardize them with the stainless steel inserts, reaching a higher resistance.

Units are available with optional covers, seals and solid base to add more protection and avoiding contamination obstructing.

You can be sure that our housings resist the hardest applications. These housings are designed to work under extremely severe humidity conditions, and temperatures from -35°C to +102°C. They've a high coefficient of breaking resistance (ASTM 0630) and unsurpassable 17,300 PSI.

HIGHER PRESSURE CAPACITY THAN ANY OTHER BEARING HOUSINGS!

Our resistance coefficient to pressure is a 25% higher than any other bearings. This capacity to carry a bigger load comes up with a longer life expectation for the bearing. As a result, you benefit from a high capacity and with the benefit of a longer life for the bearing.

SOLID BOTTOM

Its solid base avoids pollution to enter into the bottom of the housing. There's no way for dirtiness, rust or germs to accumulate, as its surface is plain.

FROM 20 mm to 40 mm

All our housings are available indifferent diameters from 20 mm to 40 mm.

THE SOLID INSERTS AT OUR THERMOPLASTIC HOUSINGS ARE UNEQUALLED!

Our insert in one piece is made of stainless steel has reinforced the tension points and is designed for an optimal resistance to corrosion.

We are giving solutions to food and beverage applications, and also to all those applications submerged with composed housings, assembled and linked, whose result is an improvement at a competitive level.

This is the reason why our housings are designed to cover all your important engineering requirements for:

- Frequent immersions
- Rust resistance
- Food and contaminant liquids resistance
- Exposure to rough chemical components
- Exposure to a high level of humidity
- Built-in greaser













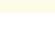
And with our housings you have the possibility to choose the most adequate combination to your working needs.

SOLID BASE!


Look and check the quality difference. The solid interior of our thermoplastic pieces avoids breaking when cleaning by steam or pressure washings.


SOLID STAINLESS STEEL BUSHINGS WITHOUT WASHERS!


Just compare our solid and massive stainless steel bushing mounted on thermoplastic housings that reinforce the tension points and are designed to improve the units with visible gaskets offering an small protection against corrosion.


				
AA:	Aluminio anodizado	Anodized aluminium	Aluminium anodisé	Eloxiertes aluminium
AV:	Antivibración	Antivibration	Antivibration	Schwingungsdämpfend
AW:	Acetal blanco	White Acetal	Acétal blanc	Acetal, weiß
COD:	Código	Code	Code	Code
D:	Acetal gris	Grey Acetal	Acétal gris	Standard Azetal, grau
DE:	Diámetro exterior	Outside diameter	Diamètre extérieur	Kopfkreis-Durchmesser
DF:	Diámetro taladro	Pilot Bore	Diamètre d'axe	Bohrungsdurchmesser
DP:	Diámetro primitivo	Primitive diameter	Diamètre primitif	Teilkreis-Durchmesser
DV:	Diámetro varilla	Round Profile diameter	Diamètre	Stangen Durchmesser
FD:	Fuerza deslizamiento	Sliding load	Effort de glissement max.	Ausziehkraft
FM:	Fuerza máxima	Max. load resistance	Résistance de charge max.	Max. zulässige Belastung
FT:	Fuerza trabajo	Max. advisable working load	Charge active max. de travail.	Ausziehkraft
inch:	Pulgadas	Inches	Pources	Zoll
K:	Ancho platillo	Plate width	Largeur de la palette	Plattenbreite
Kg/m:	Kilogramos por metro	Kilograms per meter	Kilos par mètre	Kilogramm pro Meter
Kg:	Kilogramos por unidad	Kilograms per unit	Kilos unité	Kilogramm pro Stück
KV:	Kevlar®	Kevlar®	Kevlar®	Kevlar®
L:	Longitud	Length	Longueur	Länge
LF:	Acetal marrón	Brown Acetal	Acetal brun	Acetal braun
LR:	Longitud rosca	Thread length	Longueur filetée	Gewindelänge
LT:	Longitud total	Total length	Longueur totale	Gesamtlänge
M:	Rosca Métrica	Metrical thread	Filetage métrique	Gewindedurchmesser
mm:	Milímetros	Millimeter	Millimètres	Millimeter
P:	Paso	Pitch	Pas	Teilung
PA6:	Poliamida	Polyamide	Polyamide	Polyamid
PBT:	Poliéster	Polyester	Polyester	Polyester
PE:	Poliétileno	Polyethylene	Polyéthylène	Polyäthylen
PP+FV:	Polipropileno + FV	Polypropylene + FV	Polypropylène + FV	Polypropylen + Glasfaser
MAT:	Material	Material	Matériel	Material
NI:	Latón Niquelado	Nickel Plated Brass	Laiton nickelé	Vernickelter Messing
Ri:	Sentido de giro inverso	Back bend radius	Sens de courbure inverse	Negativer Umlenkradius
RM:	Radio mínimo de curvatura	Min. curve radius	Rayon de courbure minimal	Mindestrkurvenradius
Rd:	Sentido de la marcha	Running direction	Sens de marche	Laufrichtung
S:	Acero	Steel	Acier	Stahl
SS:	Acero Inox. 304 Std.	Stainless Steel 304 Std.	Acier Inox. 304 Std.	Edelstahl 304 Std.
SS303:	Acero Inox. 303 Std.	Stainless Steel 303 Std.	Acier Inox. 303 Std.	Edelstahl 303 Std.
SSS:	Acero Inox. DIN 1.4301 28 HRC	Stainless Steel DIN 1.4301 28 HRC	Acier Inox. DIN 1.4301 28 HRC	Edelstahl DIN 1.4301 28 HRC
SSC:	Acero Inox. Supertenaz	Superior Stainless Steel	Acier Inox. Supertenace	Spezial Edelstahl
STD:	Standard	Standard	Standard	Standard
ZN:	Acero Zincado	Zinc Plated Steel	Acier zingué	Verzinkter Stahl
	Cadenas	Chains	Chaînes	Kettenserie
	Ruedas y carretes a utilizar ver pág.	Sprockets and idlers to use see page.	Roues a utiliser.	Kettenräder und Umlenkrollen siehe Seite.
	Cadena con goma.	Rubber top chain.	Chaîne avec revêtement caoutchouc.	Ketten mit Gummiauflage.
	Cadena Estándar.	Standard chain.	Chaîne standard.	Standard Ketten.
	Cadena de acumulacion.	Accumulation chain.	Chaîne standard.	Stauförderketten.
C	Características	Characteristics	Caractéristiques	Bezeichnung
M	Material	Material	Matériel	Material
	Embalaje recomendado	Recommended packaging	Conditionnement recommandée	Verpackung
	Tornillería	Fasteners	Visserie	Verschraubung
	Eje	Spindle	Tige	Spindel
	Tuerca	Nut	Écrou	Mutter

Lined writing area with horizontal red lines on a light gray background.

 Las indicaciones detalladas constituyen una guía para el uso y montaje de los materiales aquí relacionados. No obstante, para ciertas aplicaciones no se puede asegurar el uso de los mismos sin conocimiento previo de las condiciones de trabajo. En caso de duda, consulten con nuestro departamento técnico.
Recomendación: Siempre se deben verificar por el instalador o usuario el cumplimiento de las leyes locales sobre seguridad.

 The indications pointed to a guide for the correct use and setting up the process of each material, all of them related here. Nevertheless, for the applications we can not assure the use of those materials without knowing their work conditions. In case you got any doubt, please contact our Technical Department. Suggestion: The installer or user has to verify the compliance of the local safety laws.

 Les indications détaillées constituent un guide d'utilisation et de montage pour les matériaux de ce catalogue. Néanmoins, pour certaines applications, leur utilisation ne peut être garantie sans la connaissance préalable des conditions de travail. En cas de doute, veuillez consulter notre département technique.
Recommandation: L'installateur ou l'utilisateur doit toujours vérifier l'observation de la réglementation locale afférente à la sécurité.

 Die Anleitungen stellen eine Richtlinie für die Verwendung und Montage der in diesem Katalog aufgeführten Materiale dar. Für bestimmte Anwendungszwecke jedoch kann die Verwendung besagter Materiale nicht ohne vorherige Kenntnis über die herrschenden Arbeitsbedingungen gewährleistet werden. Im Zweifelsfall setzen Sie sich bitte mit unserer technischen Abteilung in Verbindung.
EMPFEHLUNG: In jedem Fall muß die Einhaltung der örtlichen Sicherheitsbestimmungen vom installateur bzw. Benutzer überprüft werden.

¡AYÚDENOS A SERVIRLE MEJOR!

SI PRECISA DE ALGÚN ELEMENTO QUE NO SE ENCUENTRE EN ESTE CATÁLOGO, **CONSÚLTENOS**. NUESTRO DEPARTAMENTO COMERCIAL Y TÉCNICO ESTÁN A SU DISPOSICIÓN CON EL FIN DE SUMINISTRÁRSELO O BUSCAR UNA ALTERNATIVA A SU PETICIÓN

HELP US GIVE YOU A BETTER SERVICE!

IF YOU NEED AN ITEM THAT'S NOT IN THE CATALOGUE, **LET US KNOW**. OUR COMERCIAL AND TECHNICAL DEPARTMENT IS THERE TO GET IT FOR YOU OR FIND AN ALTERNATIVE AT YOUR REQUEST.

AIDEZ-NOUS À MIEUX VOUS SERVIR!

SI VOUS AVEZ BESOIN D'UNE PIÈCE QUE VOUS NE TROUVEZ PAS DANS LE CATALOGUE, **CONSULTEZ-NOUS**. NOS SERVICES COMMERCIAUX ET TECHNIQUE SONT À VOTRE DIPOSITION POUR VOUS LA FOURNIR OU CHERCHER UNE ALTERNATIVE.

HELFEN SIE UNS, IHNEN EINEN BESSEREN SERVICE BIETEN ZU KÖNNEN!

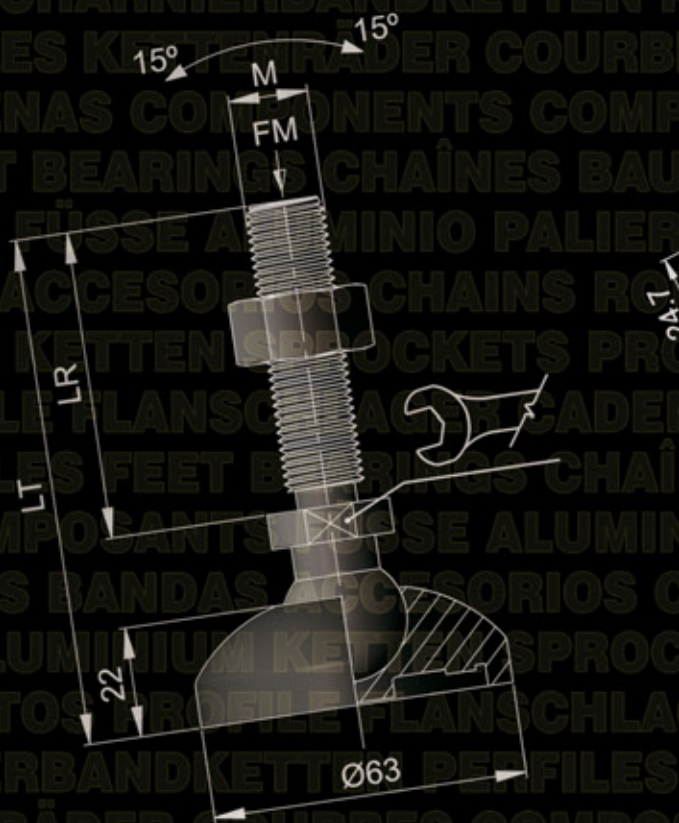
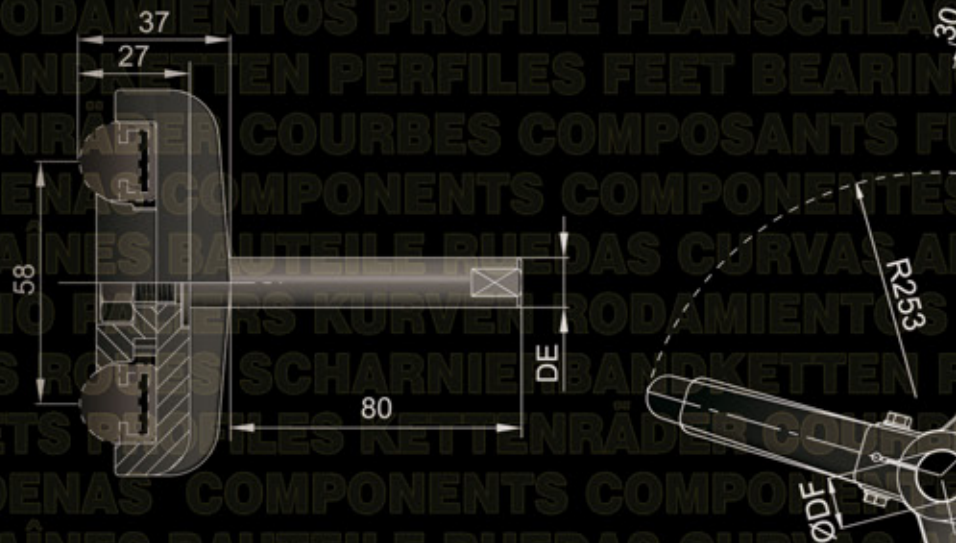
SOLLTEN SIE IRGEND EIN TEIL BENÖTIGEN, DAS SICH NICHT IM VORLIEGENDEN KATALOG BEFINDET, **FRAGEN SIE UNS**. UNSERE VERKAUFS- UND TECHNISCHE ABTEILUNG STEHT IHNEN ZUR VERFÜGUNG, UM DAS GEWÜNSCHTE TEIL ZU LIEFERN, ODER EINE ALTERNATIVLÖSUNG FÜR IHREN BEDARF ZU FINDEN.

AVE

CHAINS, MODULAR BELTS & CONVEYOR COMPONENTS

PRODUCCIÓN
EUROPEA

EUROPEAN
PRODUCTION



DISTRIBUIDO POR:

DISTRIBUTED BY:

DISTRIBUË PAR:

VERTRIEB DURCH:

TRANSMISIONES MECÁNICAS AVE. S.A.

Tirso de Molina, s/n. · Pol. Ind. Almeda · 08940 Cornellà de Ll. (Barcelona) · Spain

Tel. (34) 933 774 441 · Fax (34) 933 776 453 · <http://www.ave-chains.com> · E-mail: ave@ave-chains.com